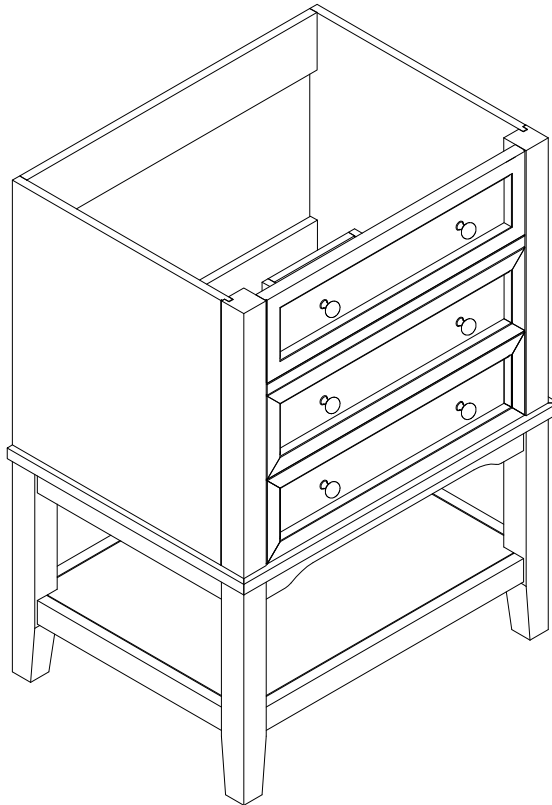


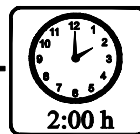
ASSEMBLY INSTRUCTIONS

BATH VANITY-CABINET

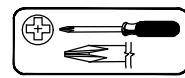


Thank you for purchasing this quality product. Be sure to check all packing material carefully for small parts which may have come loose inside the carton during shipment. Separate, identify and count all parts and hardware. Compare with the parts list to be sure all parts are present.
"DO NOT TIGHTEN SCREWS UNTIL COMPLETELY ASSEMBLED"

*** Use of power tool to assemble this product will invalidate any claim and damage this product making unsafe !!!**
*** Please assemble on a clean soft surface to avoid damage.**



Tools Required



(Not included)



(Not included)

IMPORTANT:

PLEASE READ INSTRUCTION BEFORE STARTING THE ASSEMBLY

Thank you for buying our products.

Please read the installation manual carefully before installation,

we need you to follow the instructions on the accessories and hardware

step by step assembly complete, our instructions are very detailed.

Products are environmentally friendly products,

Please rest assured that you do not soak in water, do not place very heavy items,

do not malicious push and pull,

if you have any problems in the process of assembly and use, please contact us.

Thank you again for your purchase of our products,

I wish you a happy life.

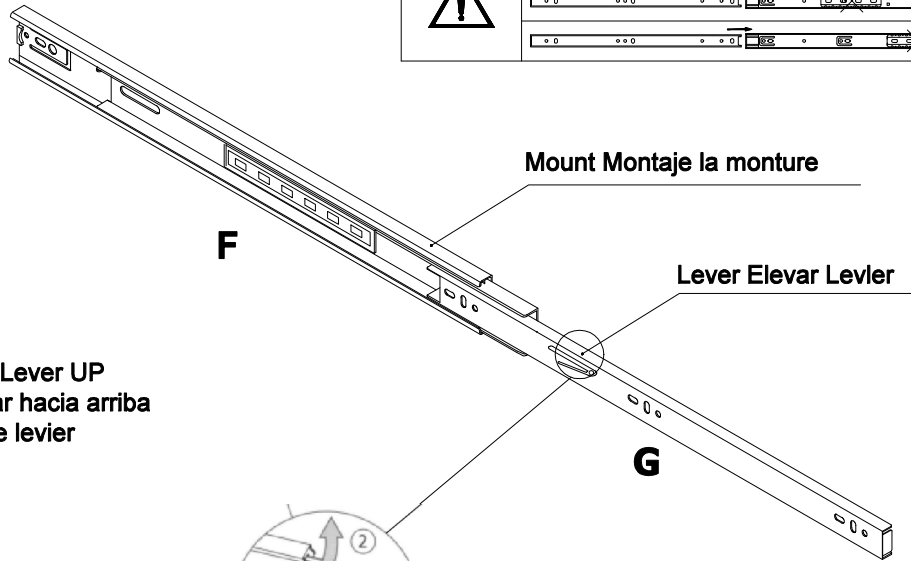
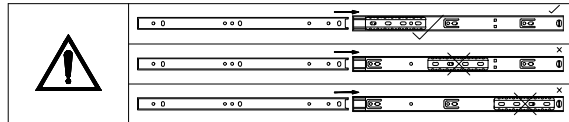
**Slides Must Be Separated Before Assembly.
After Separated, Set Aside Until Needed for Assembly.**

Las diapositivas deben separarse antes del montaje.
Después de la separación, déjelo a un lado hasta que sea necesario.

Les glissières doivent être séparées avant l'assemblage.
Après la séparation, mettez de côté jusqu'au moment de l'assemblage.

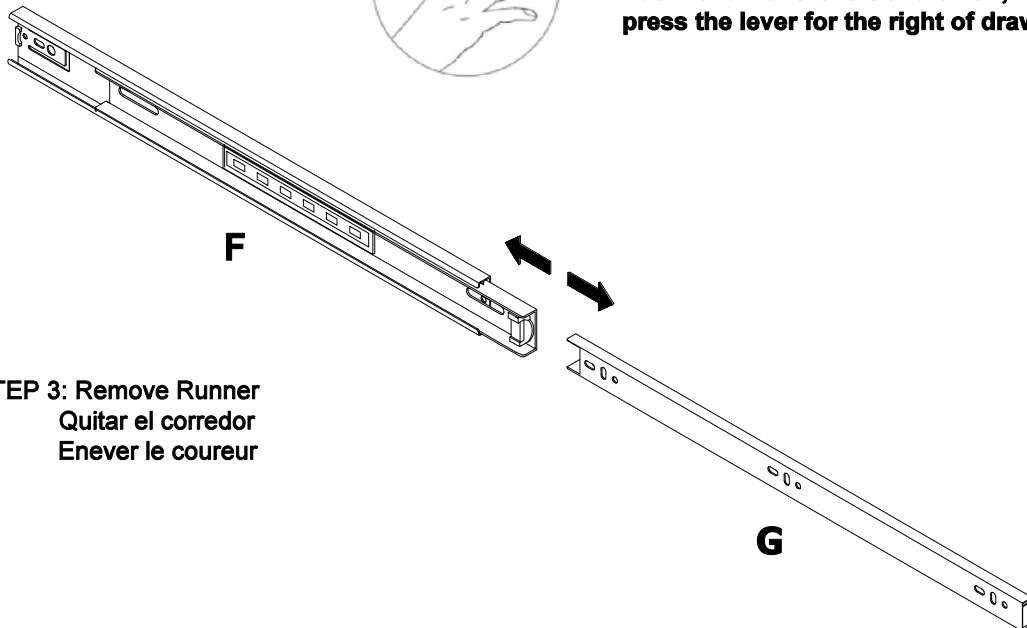
**Pay attention when connecting !
The sliding module must be at the front end.**

**STEP 1 : Extend Slide
Extender la diapositiva**



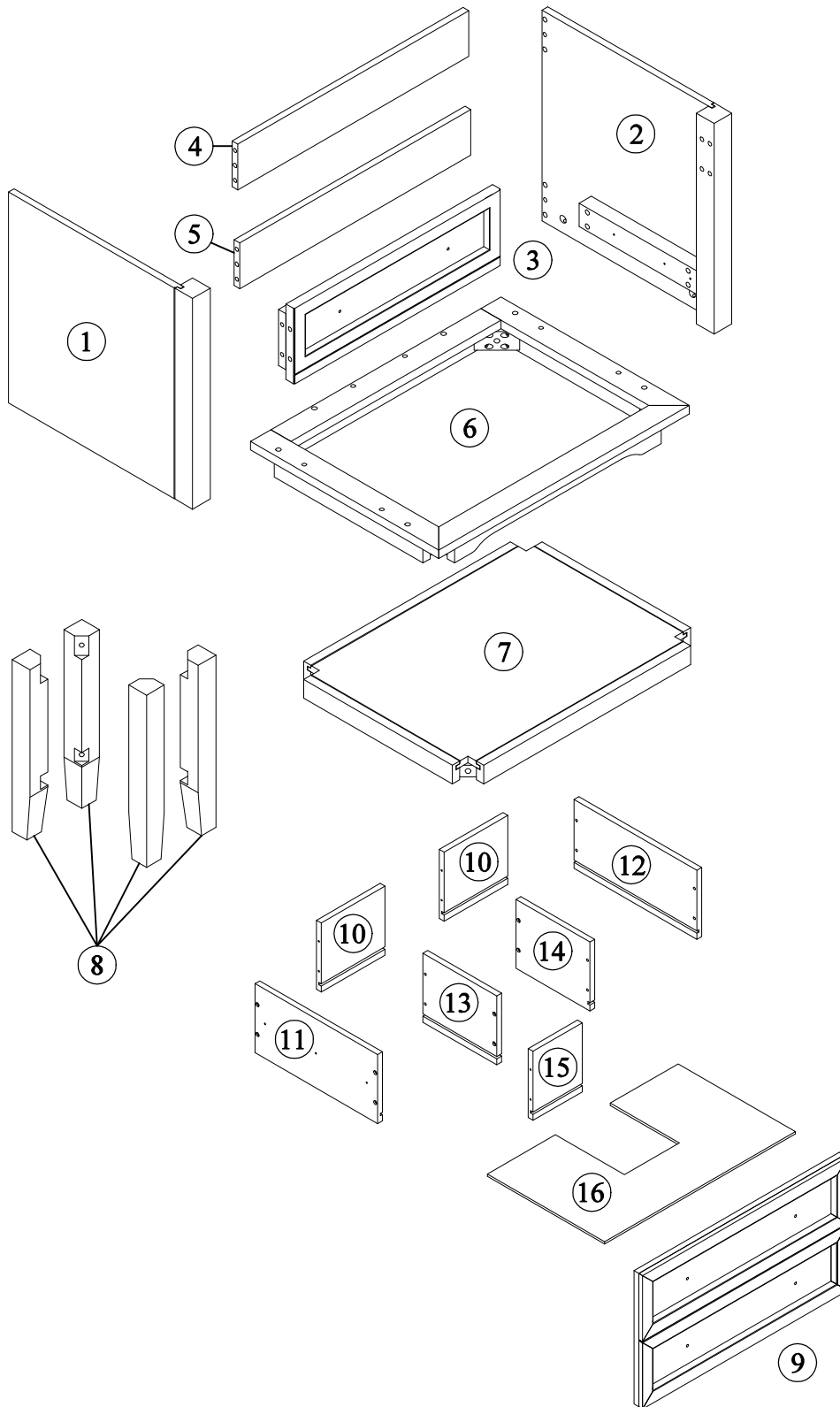
**STEP 2: Push Lever UP
Empujar hacia arriba
Lever le levier**

**Push lever for the left of drawer ,
press the lever for the right of drawer.**



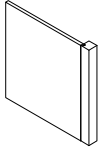
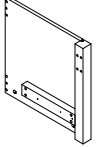
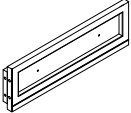
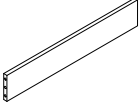
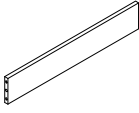
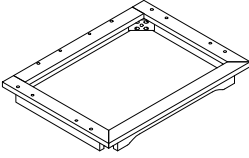
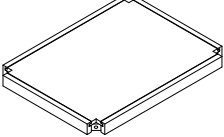
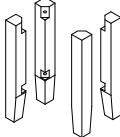
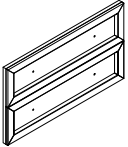
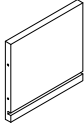
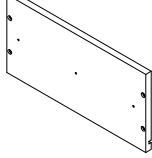
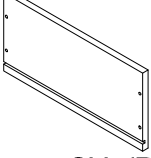
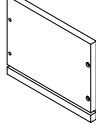
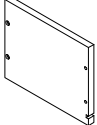
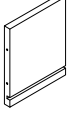
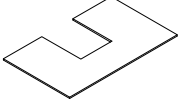
**STEP 3: Remove Runner
Quitar el corredor
Enlever le coureur**

Detail View - CABINET

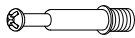




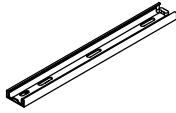
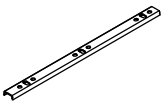
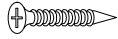

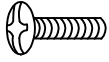
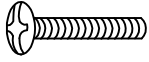

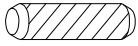

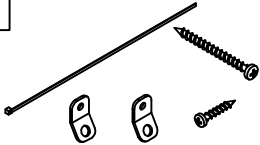


Identifying the Hardware-Identify the hardware using the illustrations below.

Part List - WF306247

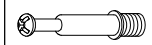
<p>1</p>  <p>Side Panel (L) - 1pc</p>	<p>2</p>  <p>Side Panel (R) - 1pc</p>
<p>3</p>  <p>Drawer Fake - 1pc</p>	<p>4</p>  <p>Rear Panel Top - 1pc</p>
<p>5</p>  <p>Rear Panel Bottom - 1pc</p>	<p>6</p>  <p>Frame Mid - 1pc</p>
<p>7</p>  <p>Frame Bottom - 1pc</p>	<p>8</p>  <p>Foot Cabinet - 4pcs</p>
<p>9</p>  <p>Drawer Face - 1pc</p>	<p>10</p>  <p>Drawer Rear - 2pcs</p>
<p>11</p>  <p>Drawer side(L) - 1pc</p>	<p>12</p>  <p>Drawer Side(R) - 1pc</p>
<p>13</p>  <p>Mid Drawer Side(L) - 1pc</p>	<p>14</p>  <p>Mid Drawer Side(R) - 1pc</p>
<p>15</p>  <p>Mid Drawer - 1pc</p>	<p>16</p>  <p>Drawer Bottom - 1pc</p>

Hardware List - WF306247

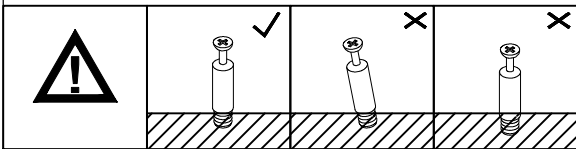
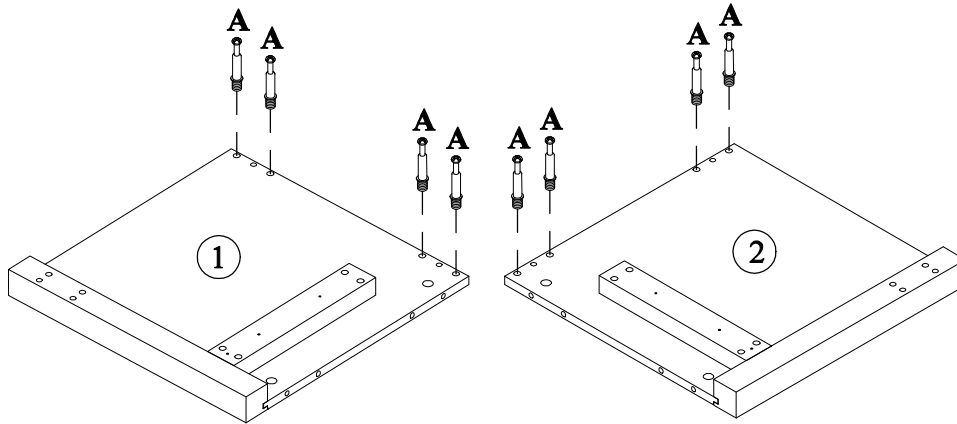
A  ø6x35mm	B  ø14.5x12mm	C  ø13x1/4"x28mm
Three in one bolts (14pcs)	Three in one lock (14pcs)	Hex-Head bolts (4pcs)
D  ø13x1/4"x38mm	E  ø1/4"x16x1mm	F  ø300x35mm
Hex-Head bolts (8pcs)	Washer (12pcs)	Slide rails (2pcs)
G  ø298x18mm	H  ø6xø3x12mm	I 
Slide rails (2pcs)	Flat head screw (12pcs)	Handle (6pcs)
J  ø5/32"x15mm	K  ø5/32"x25mm	L  ø8xø4x32mm
Handle screw (4pcs)	Handle screw (2pcs)	Round head screw (16pcs)
M  ø8x30mm	N  4mm	O 
Wood dowel (14pcs)	Allen key (1pc)	Anti fall hardware (1set)

STEP: 1

A



8PCS



STEP: 2

F

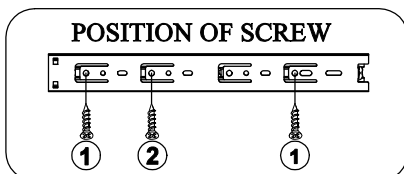
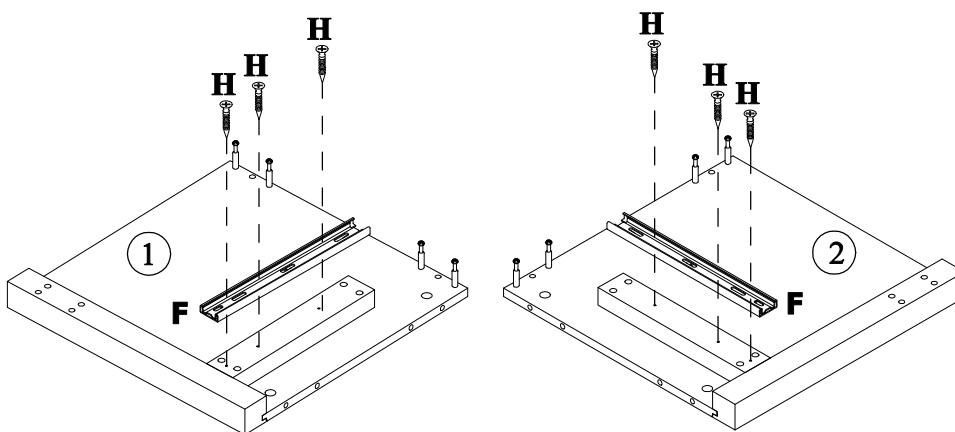


2PCS


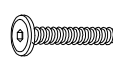

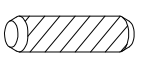
H

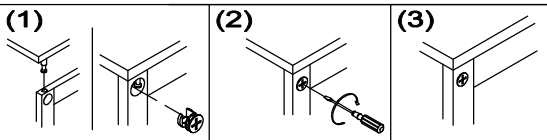
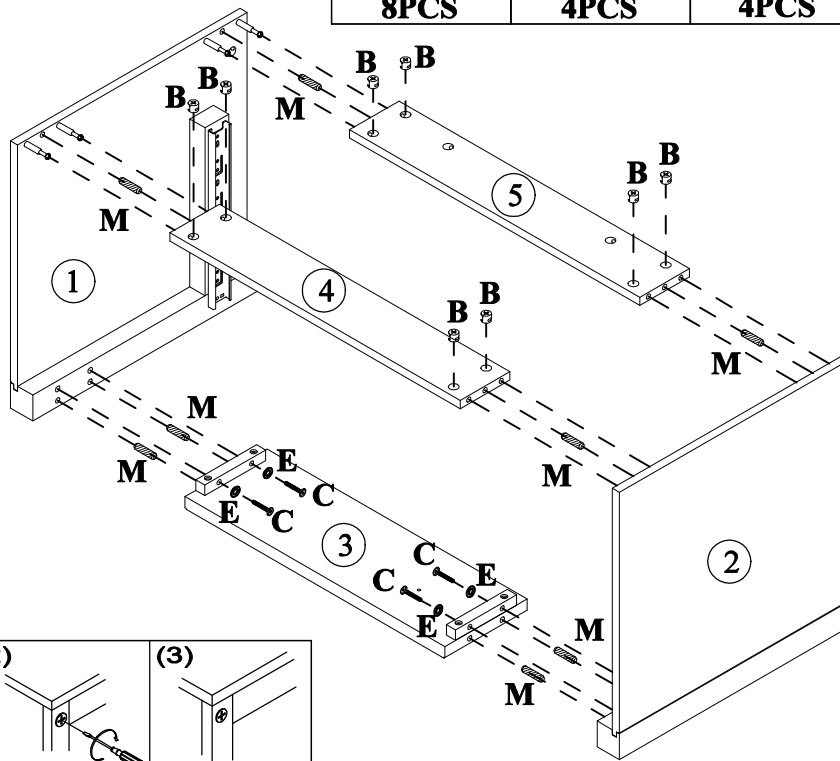


6PCS

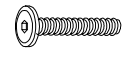



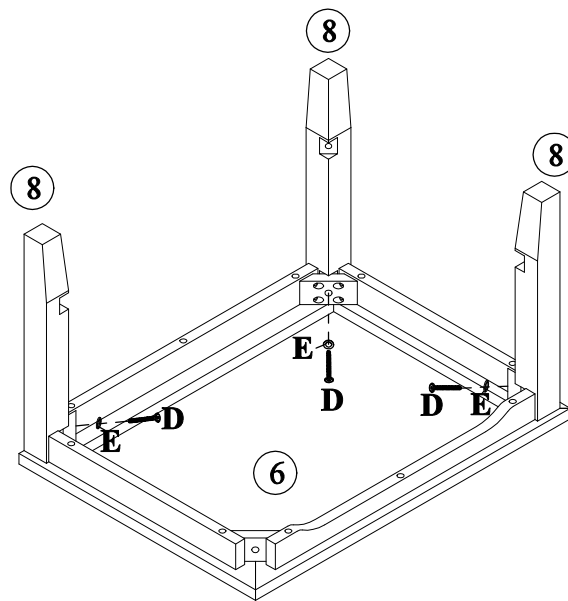
STEP: 3

B		C		E		M	
	8PCS		4PCS		4PCS		8PCS





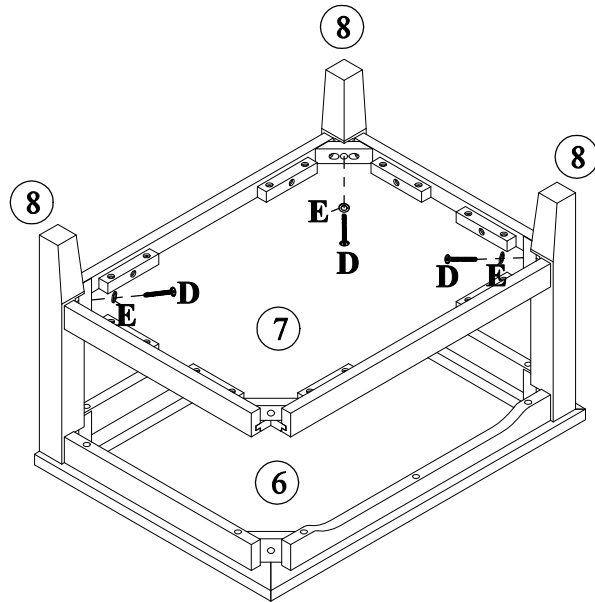
STEP: 4

D		E	
	3PCS		3PCS

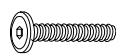



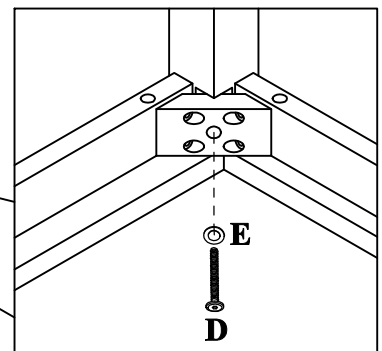
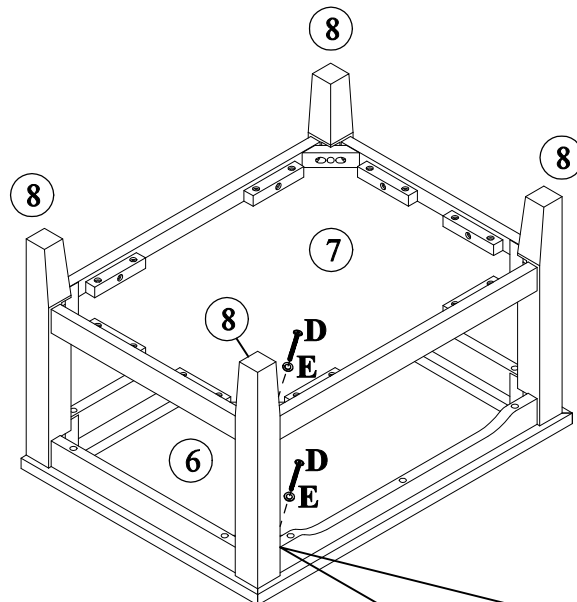
STEP: 5

D	E
	
3PCS	3PCS



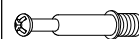
STEP: 6

D	E
	
2PCS	2PCS

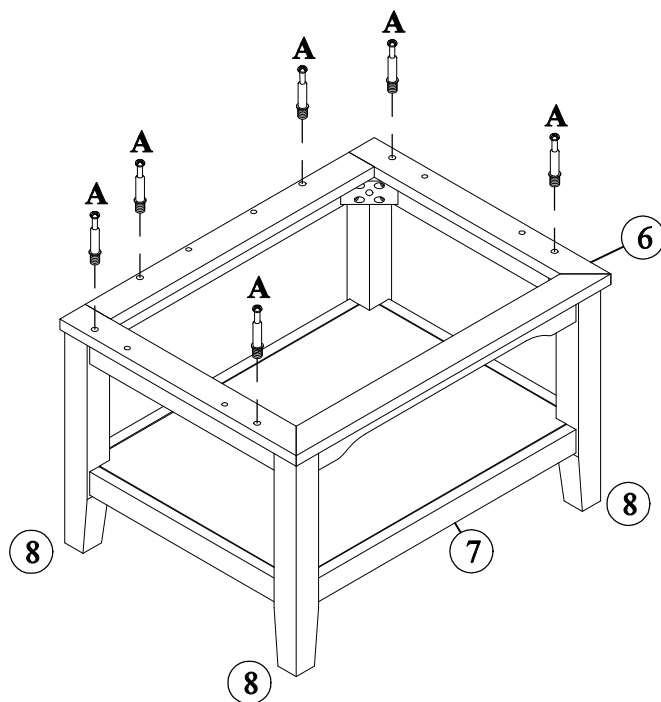


STEP: 7

A



6PCS



STEP: 8

B

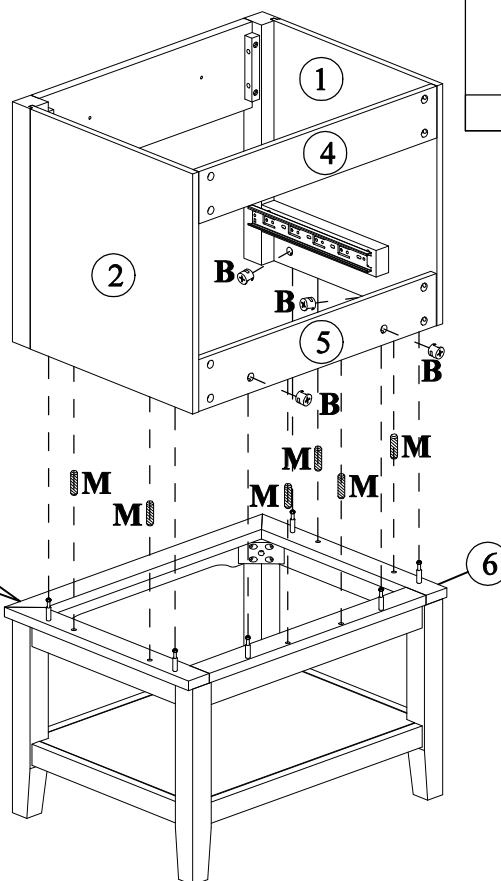
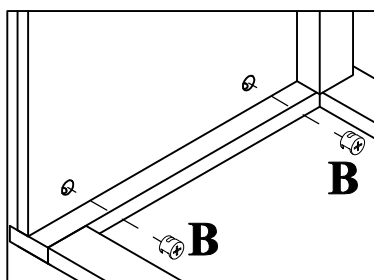


6PCS

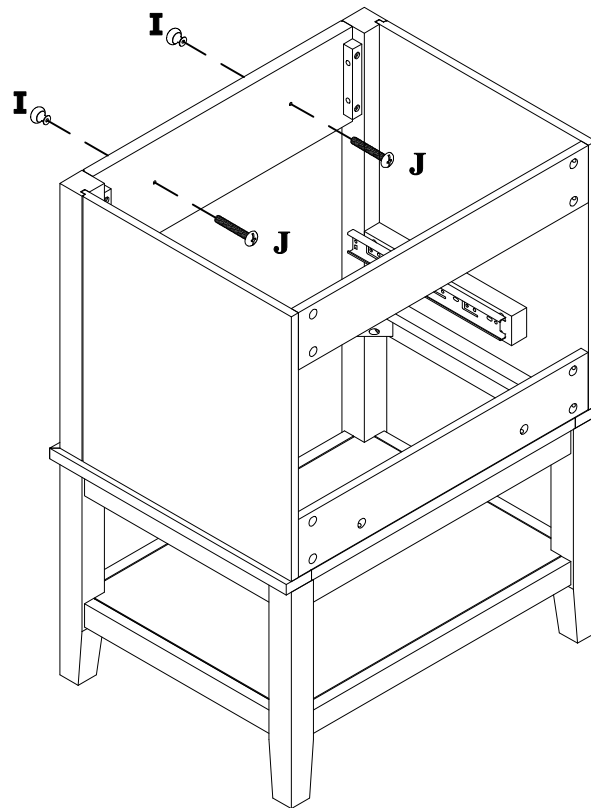
M


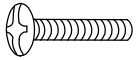


6PCS

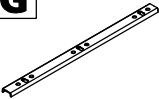



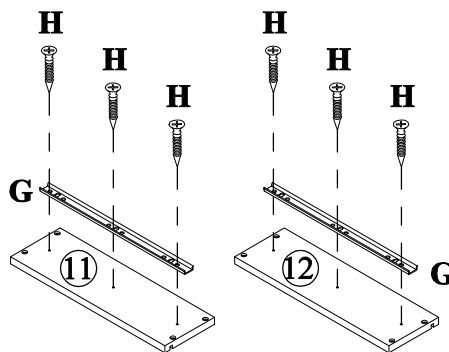
STEP: 9



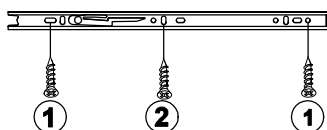
I		J	
	2PCS		2PCS

STEP: 10


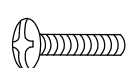
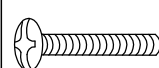

G		H	
	2PCS		6PCS

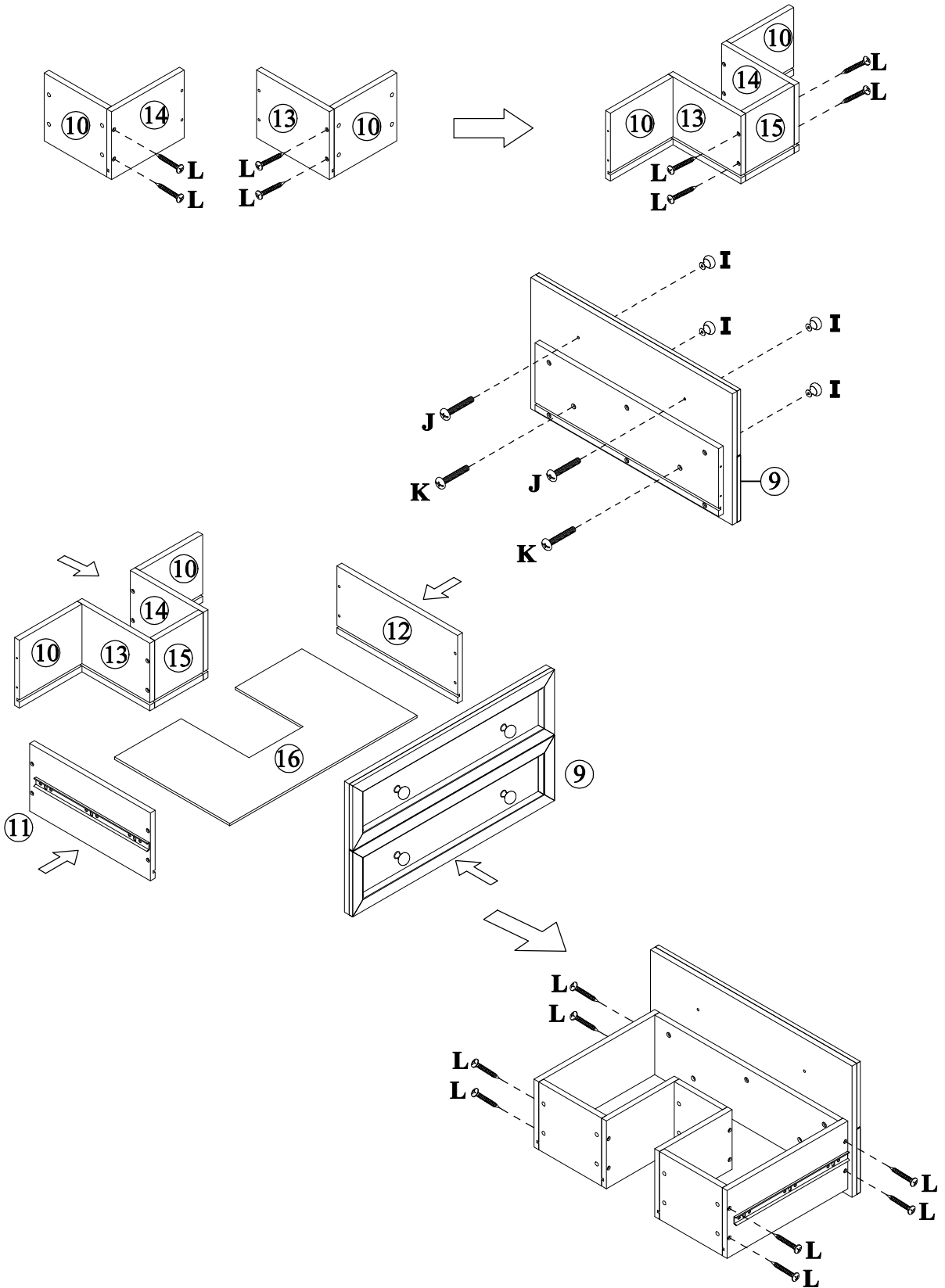


POSITION OF SCREW

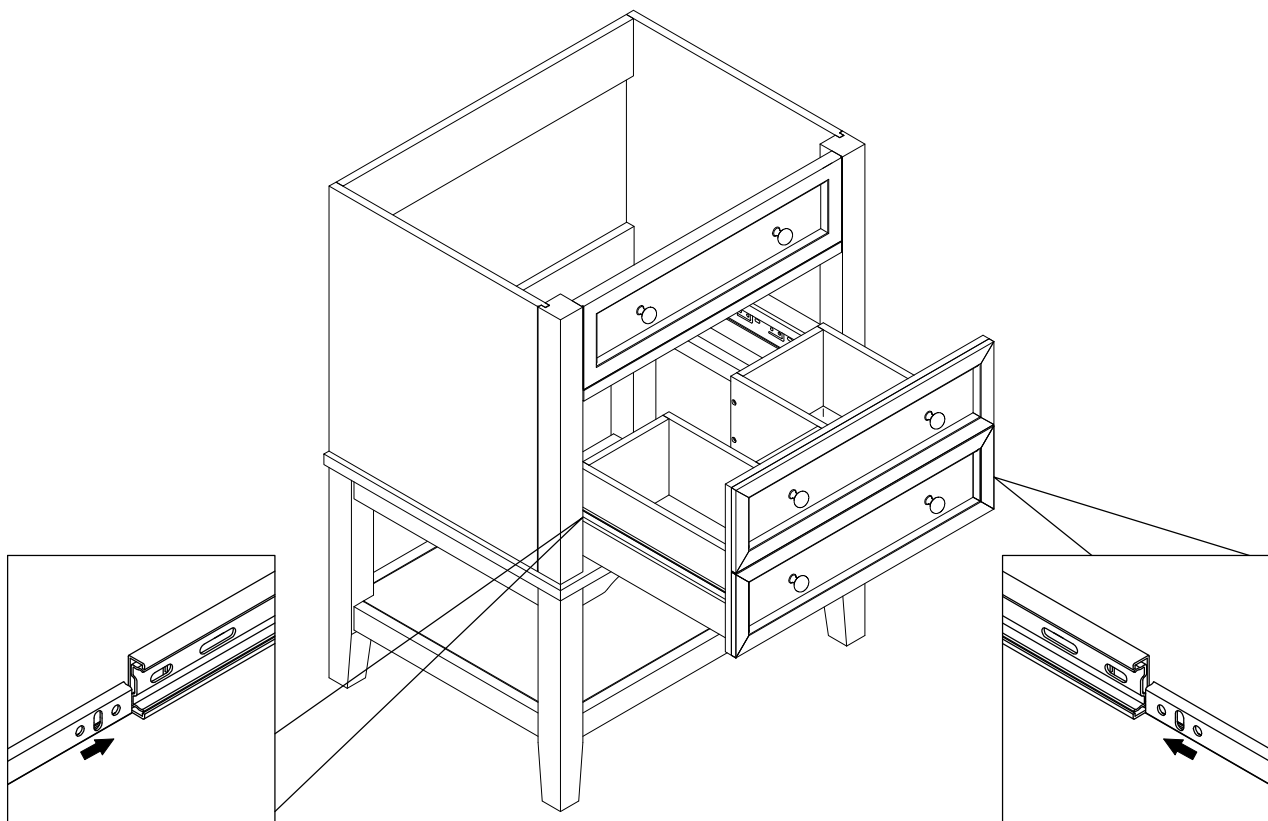


STEP: 11

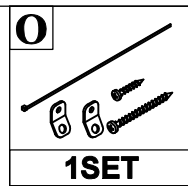
I	J	K	L
			
4PCS	2PCS	2PCS	16PCS



STEP: 12

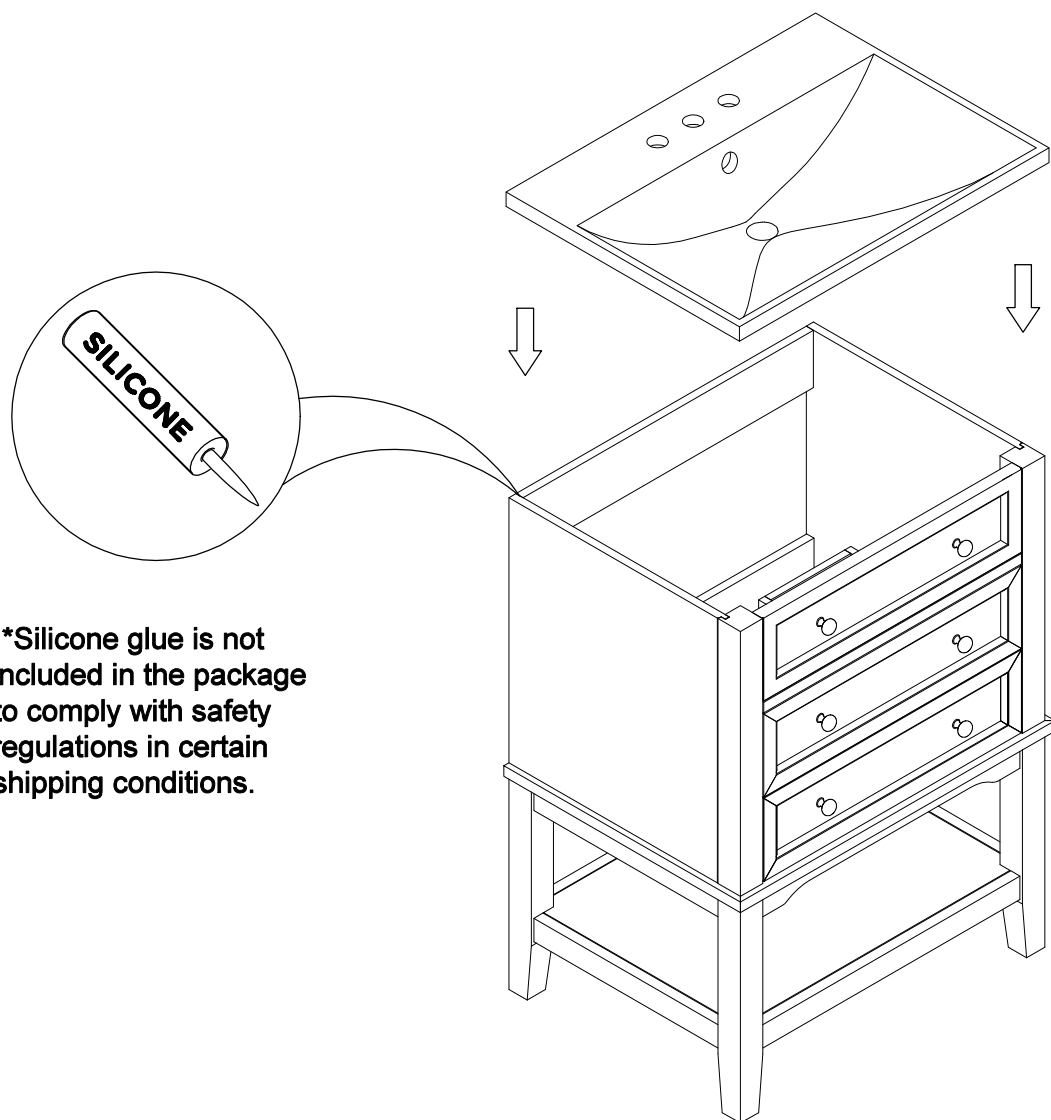


STEP: 13



STEP: 14

**Install the sink on the cabinet with glue.
Let stand for 24 hours**

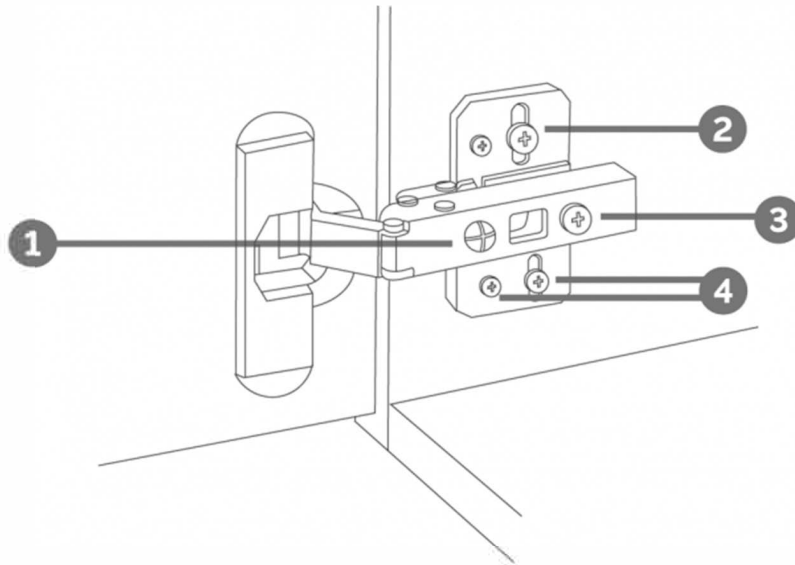


***Silicone glue is not included in the package to comply with safety regulations in certain shipping conditions.**

STEP: 15

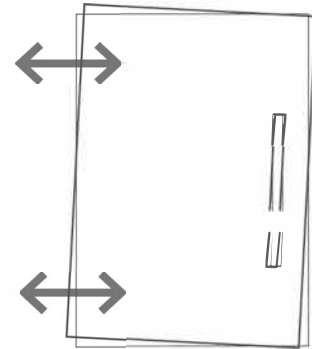


HINGE ADJUSTMENTS



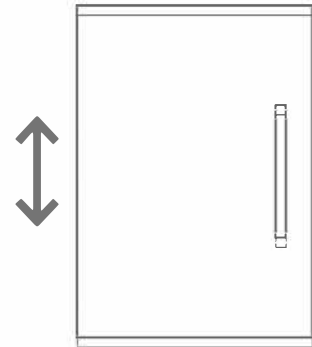
1 Sideways / Tilt adjustment

Turn the screw
clockwise to move the door further away from
the side of the cabinet
anticlockwise to move the door closer to the
side of the cabinet



2 4 Height adjustment

While supporting the weight of the door, turn the
screws
clockwise to move the door up
anticlockwise to move the door down



3 Forward and back adjustment

If the gap between the back of the door and the
cabinet is too small, and the door may not close
fully. Turn the screw
clockwise to decrease the gap between the
door and the cabinet
anticlockwise to increase the gap between the
door and the cabinet

