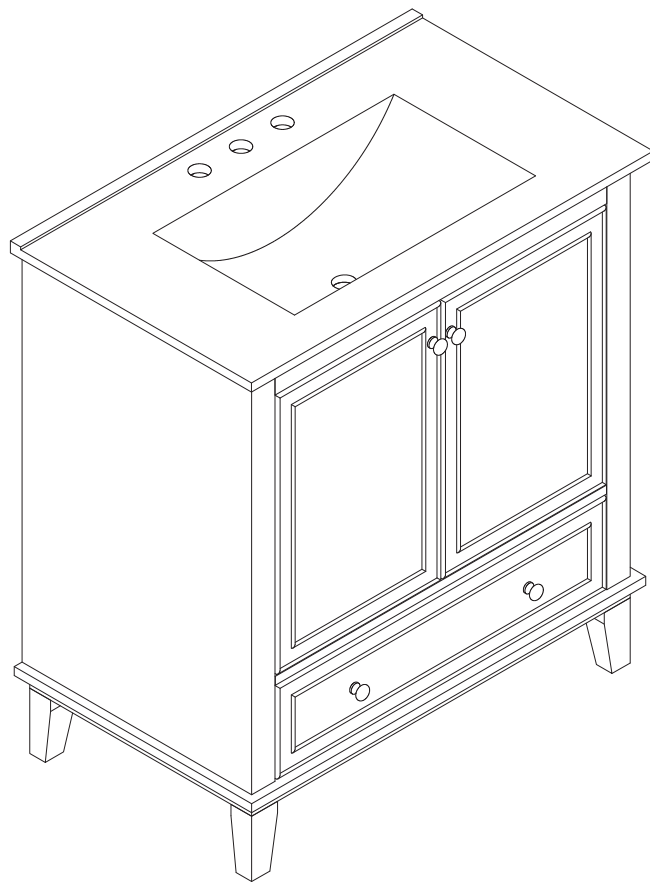
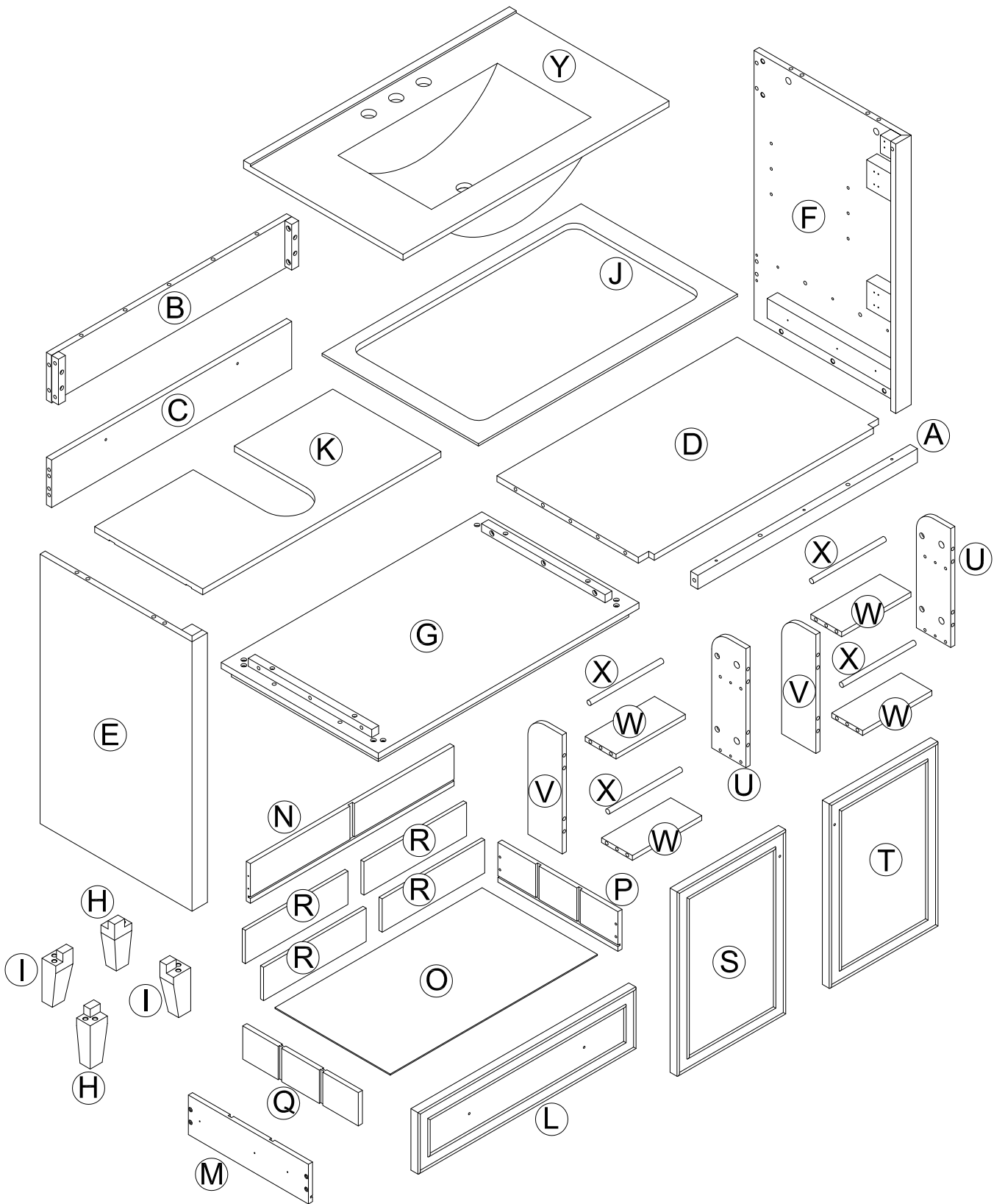
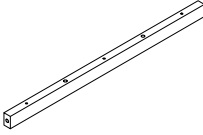
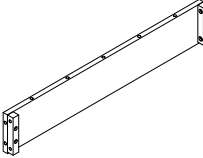
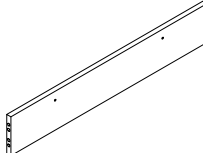
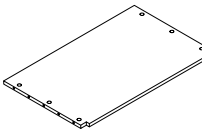
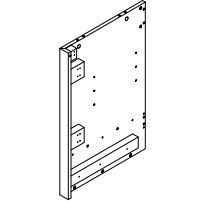
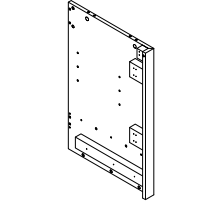
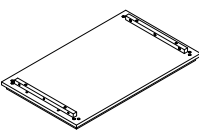


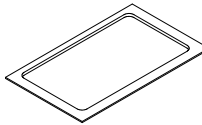
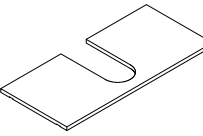
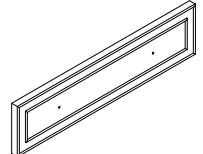
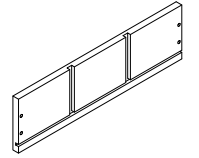
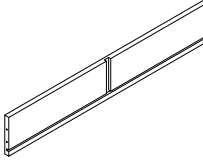
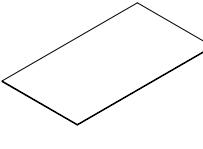
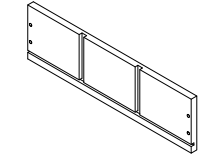
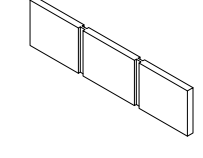
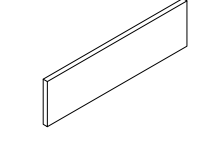
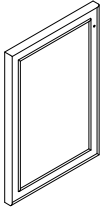
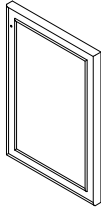
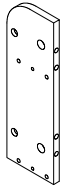
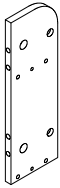
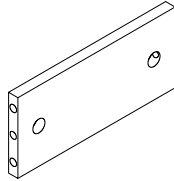
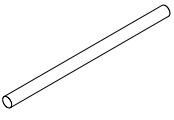
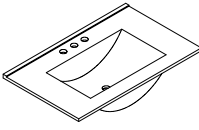


WF322498AAB

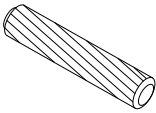
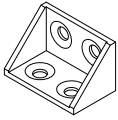

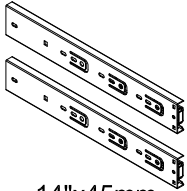
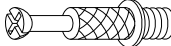

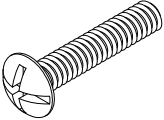
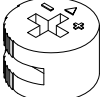
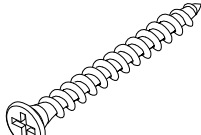
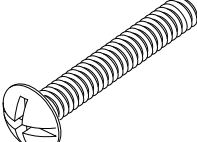
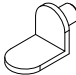
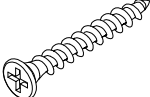


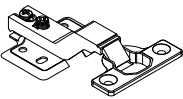






PRODUCT PARTS:

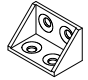
A	B	C	D	E	F
					
1PC	1PC	1PC	1PC	1PC	1PC
G	H	I	J	K	L
					
1PC	2PCS	2PCS	1PC	1PC	1PC
M	N	O	P	Q	R
					
1PC	1PC	1PC	1PC	1PC	4PCS
S	T	U	V	W	X
					
1PC	1PC	2PCS	2PCS	4PCS	4PCS
Y					
					
1PC					

HARDWARE:

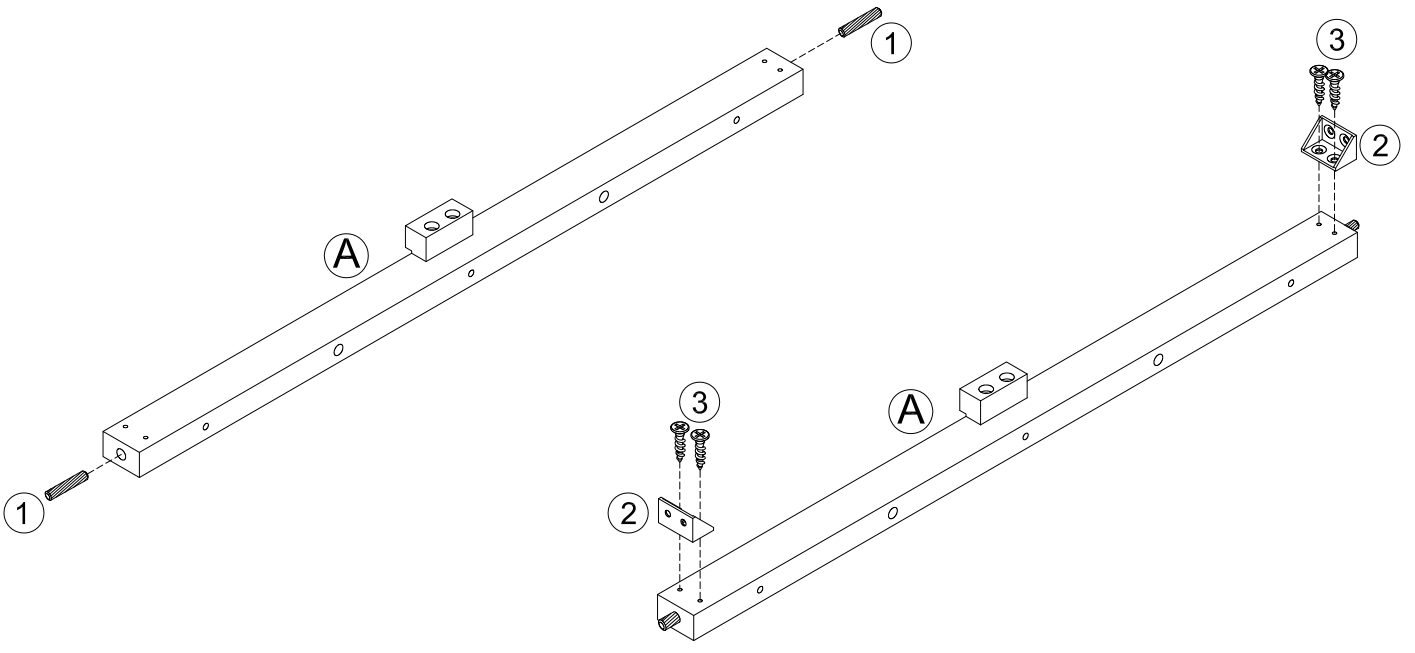
①	②	③	④	⑤	⑥
					
Ø8x30mm	33x20x20mm	Ø4x12mm	14"x45mm	Ø6x33mm	Ø3x10mm
26+2 PCS	2PCS	32+2 PCS	1SET	33+2 PCS	12+1 PCS
⑦	⑧	⑨	⑩	⑪	⑫
					
1/4"x25mm	Ø15x9mm	Ø4x35mm	1/4"x45mm		Ø4x25mm
10+1PCS	33+2PCS	5PCS	8PCS	4PCS	8PCS
⑬	⑭	⑮	⑯		
					
5/32"x18mm			Ø6x30mm		
4PCS	4PCS	4PCS	24+2PCS		

STEP 1


①  2pcs
Ø8x30mm

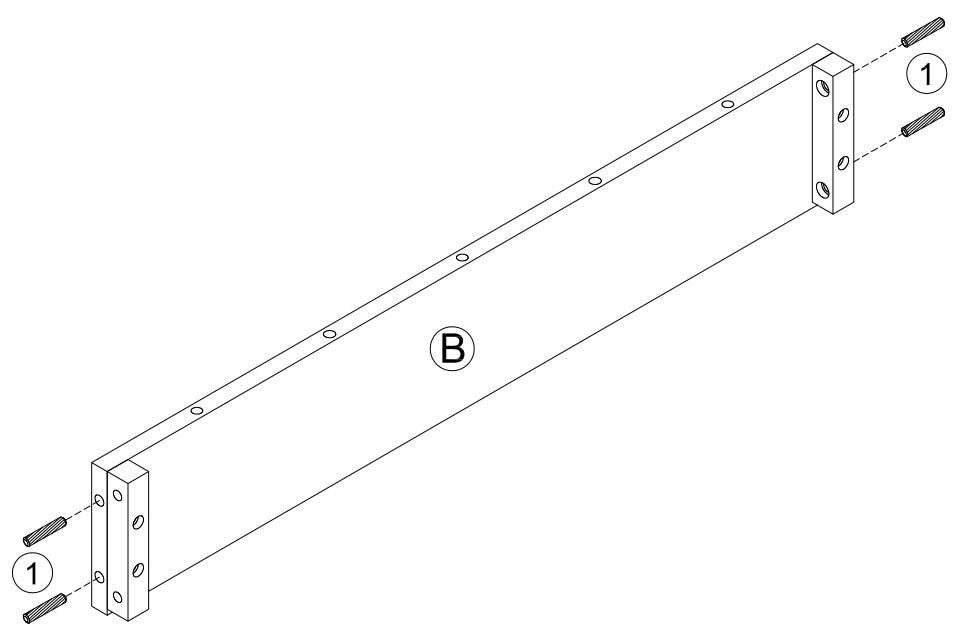
②  2pcs

③  4pcs
Ø4x12mm

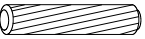


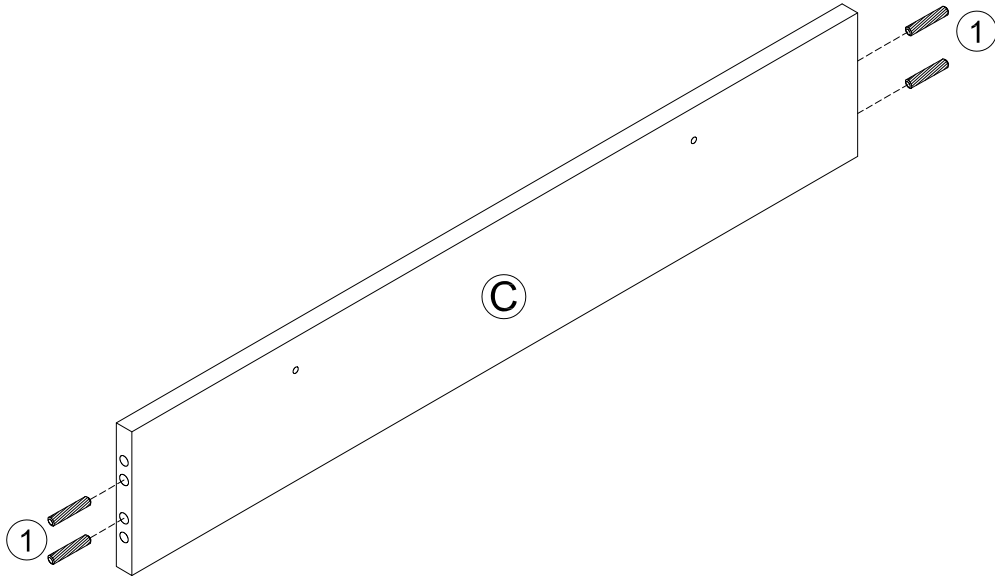
STEP 2

①  4pcs
Ø8x30mm




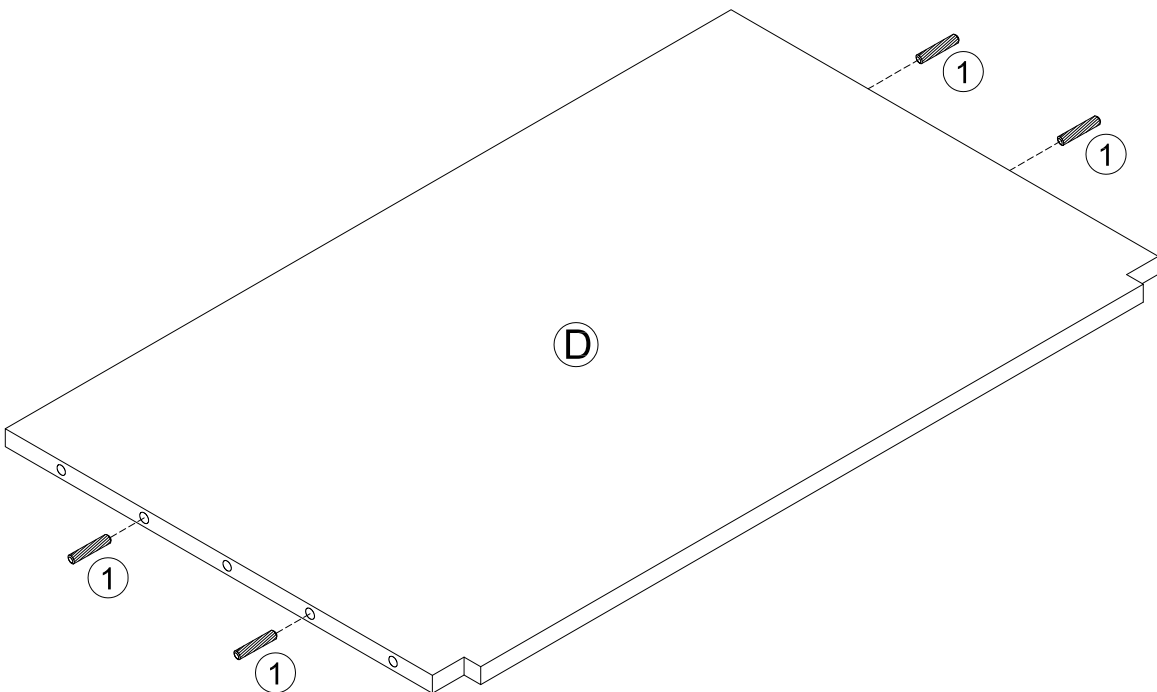
STEP 3

①  4pcs
Ø8x30mm

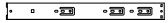


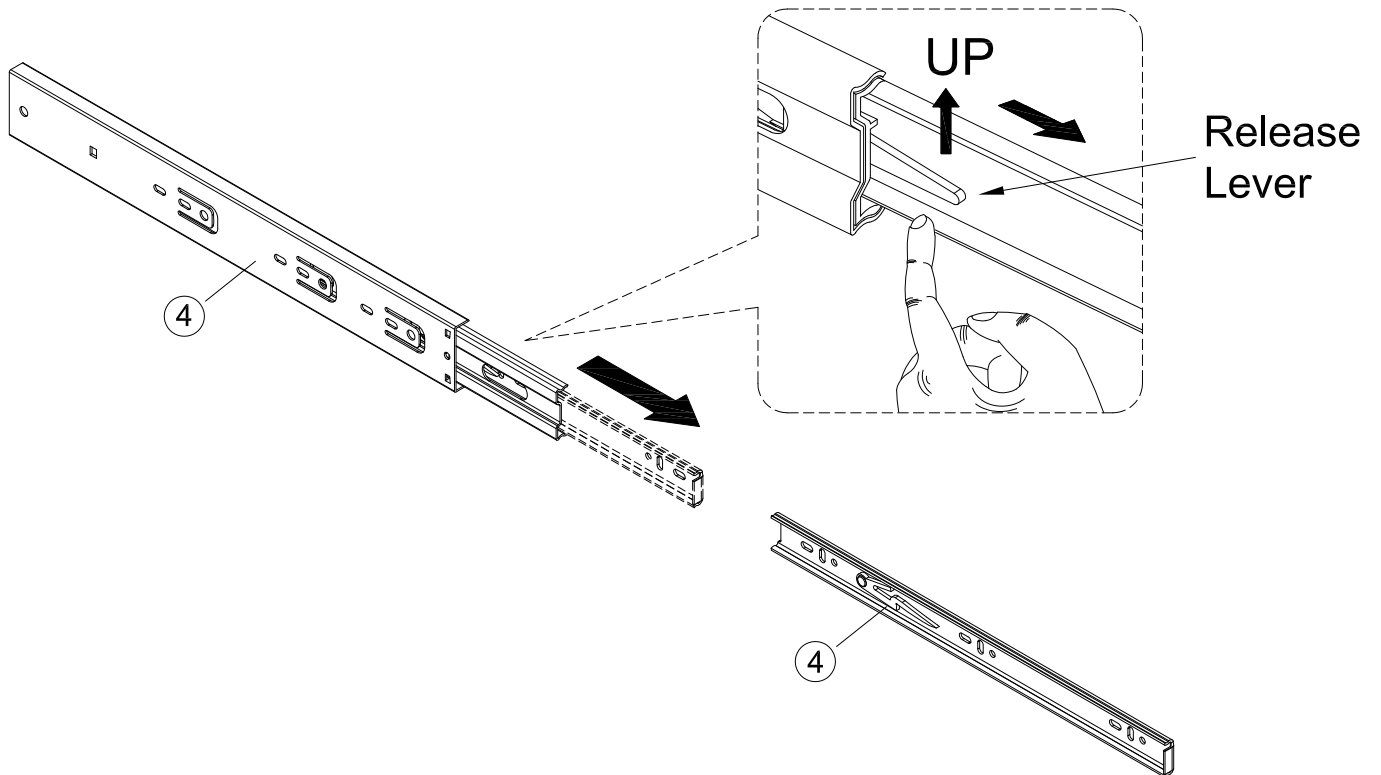
STEP 4

①  4pcs
Ø8x30mm




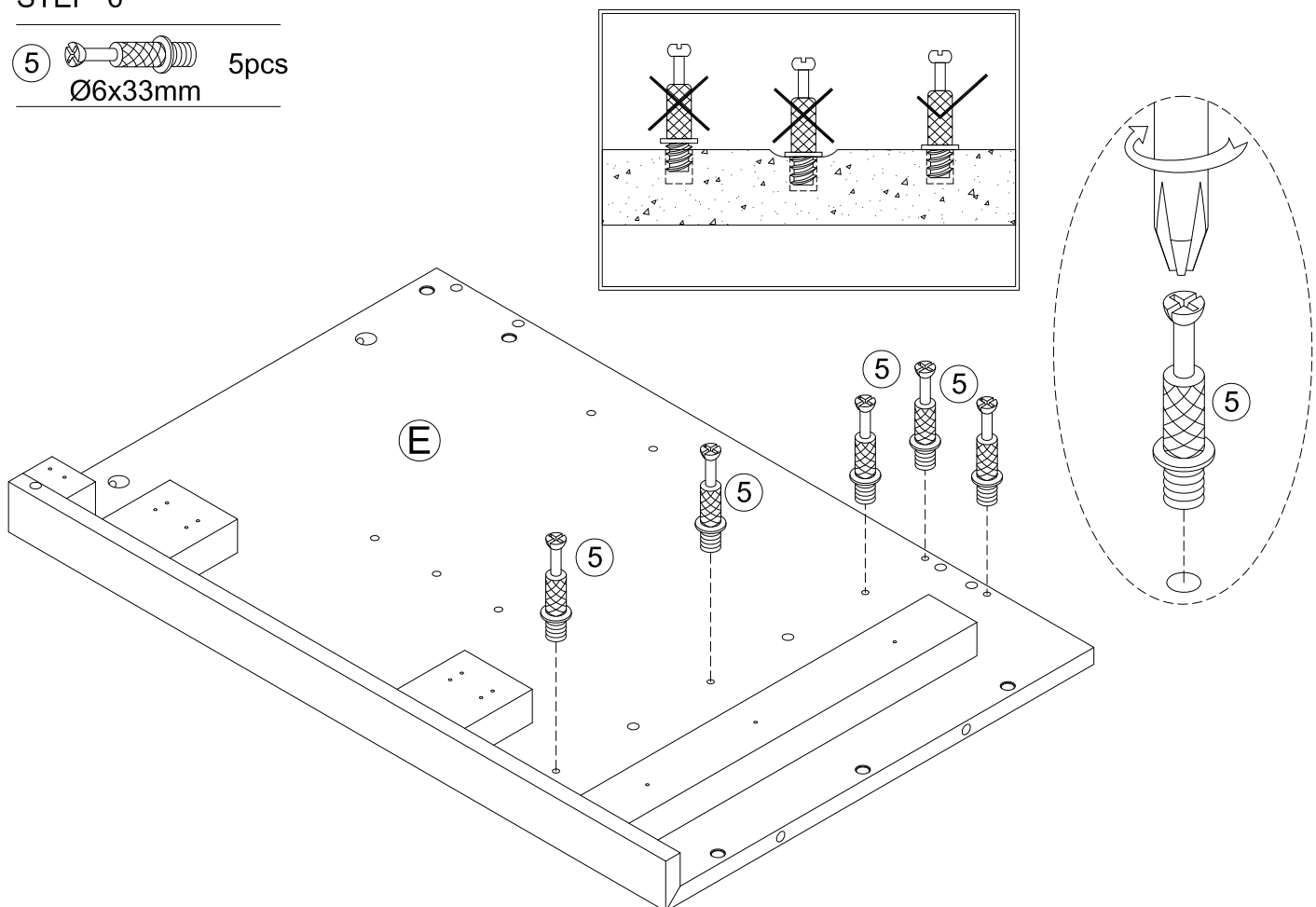
STEP 5

- ④  1SET
14"x45mm




STEP 6

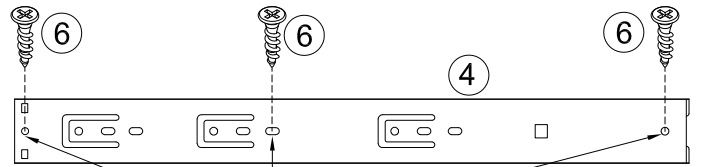
- ⑤  5pcs
Ø6x33mm



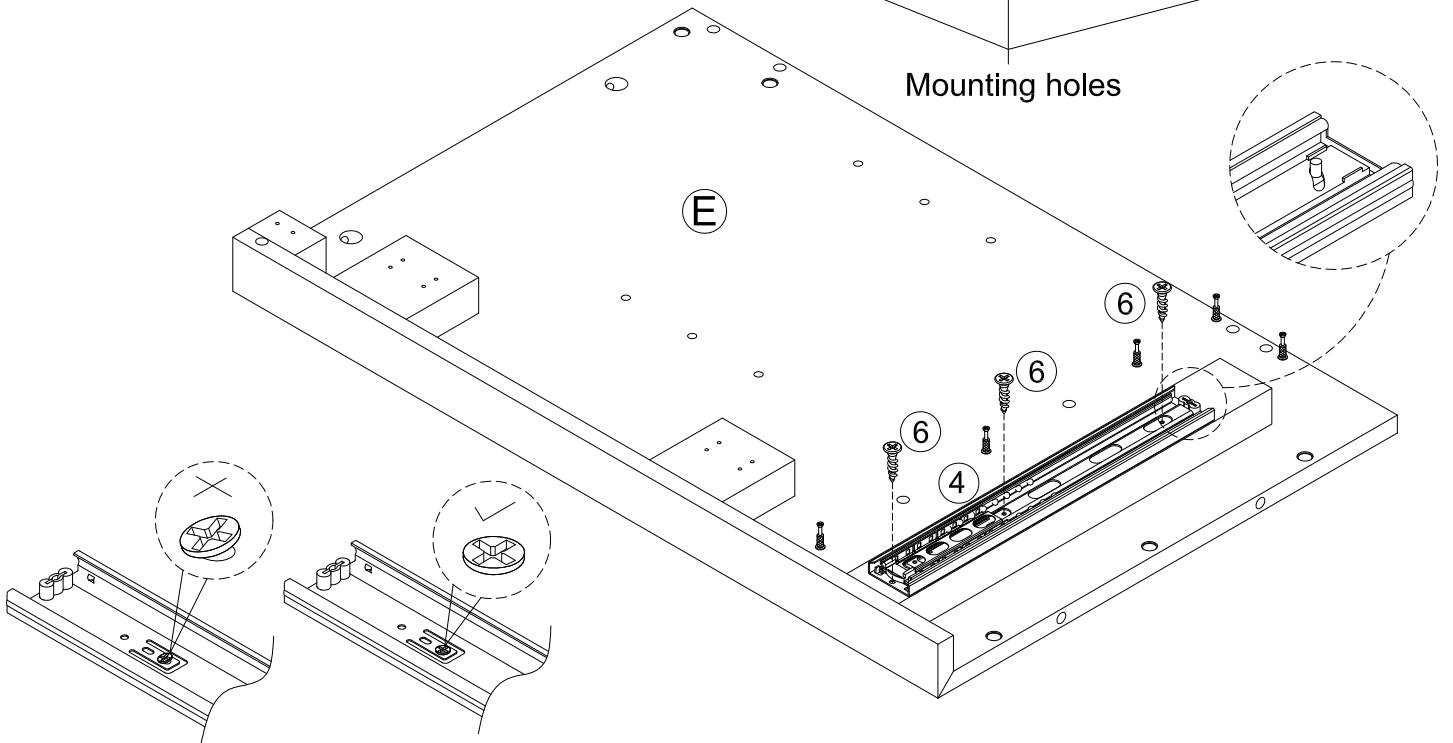
STEP 7

④  1PC
14"x45mm

⑥  3pcs
Ø3x10mm




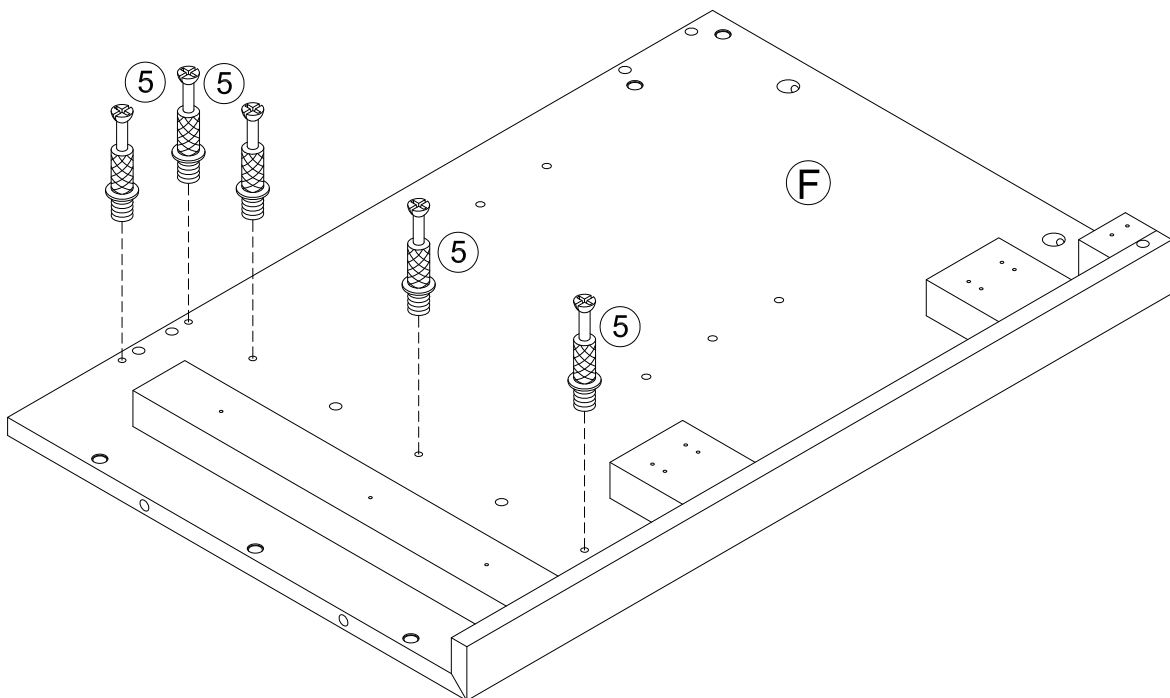
Mounting holes



Please make sure that the screw is VERTICAL
so as not to affect the sliding of the drawer.

STEP 8

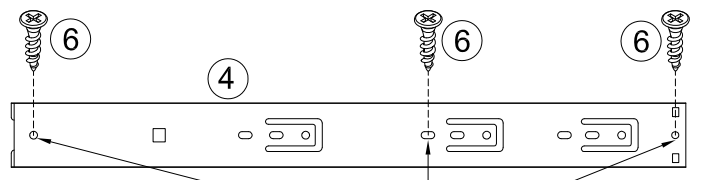
⑤  5pcs
Ø6x33mm



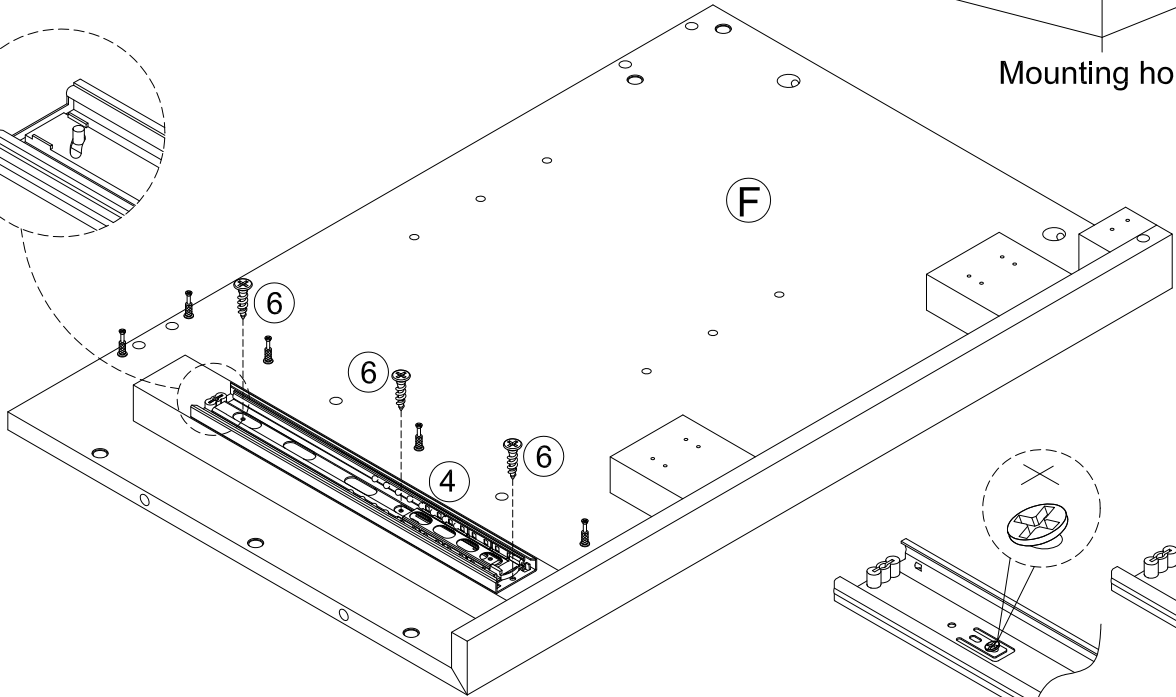
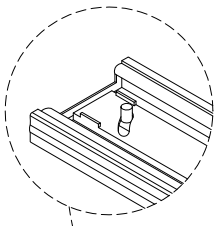
STEP 9

④ 14"x45mm 1PC

⑥ Ø3x10mm 3pcs



Mounting holes

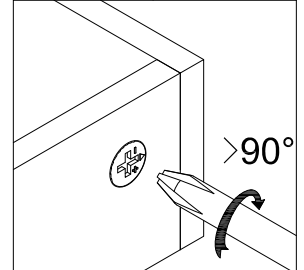
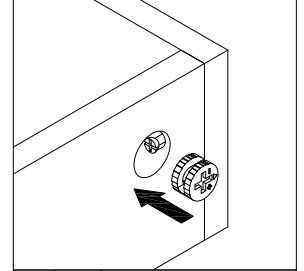
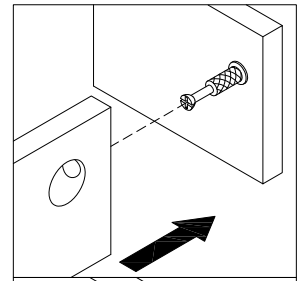
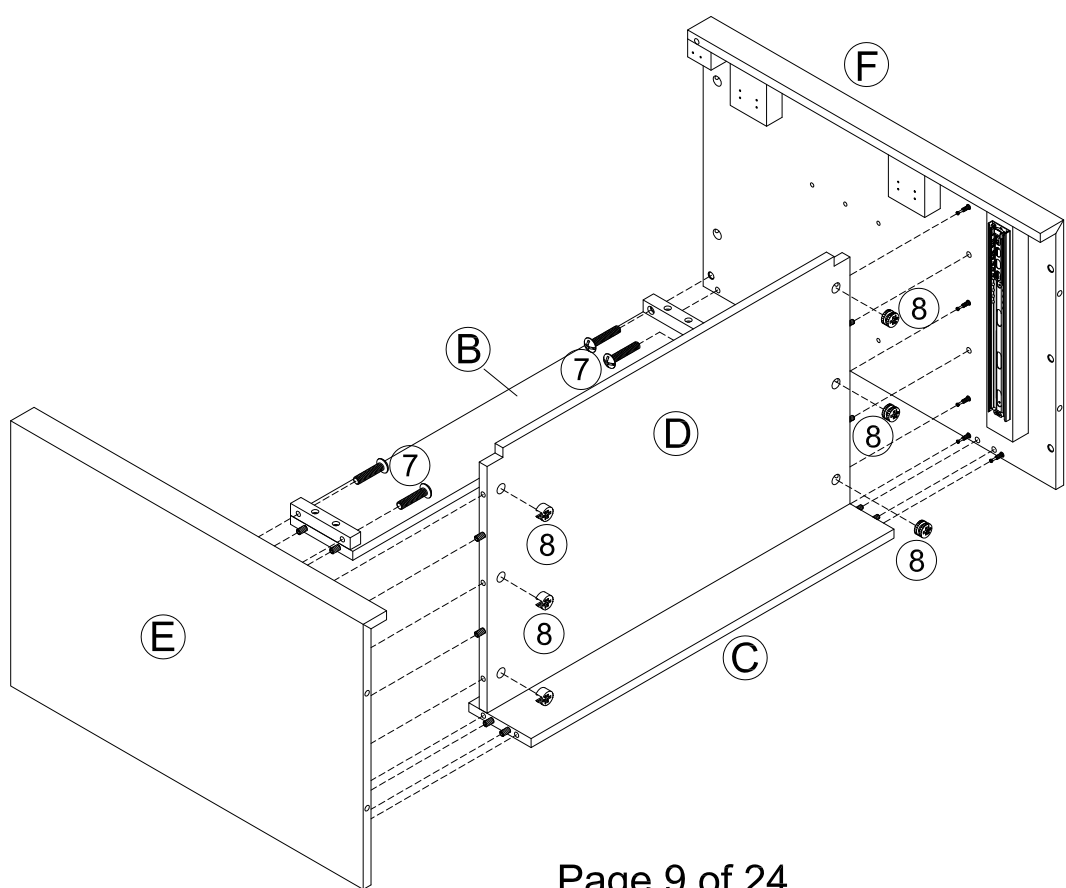


Please make sure that the screw is VERTICAL so as not to affect the sliding of the drawer.

STEP 10

⑦ 1/4"x25mm 4pcs

⑧ Ø15x9mm 6pcs

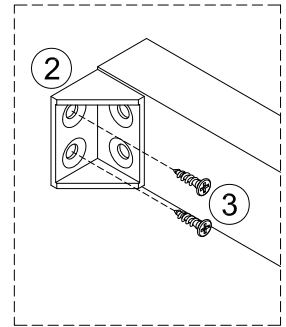
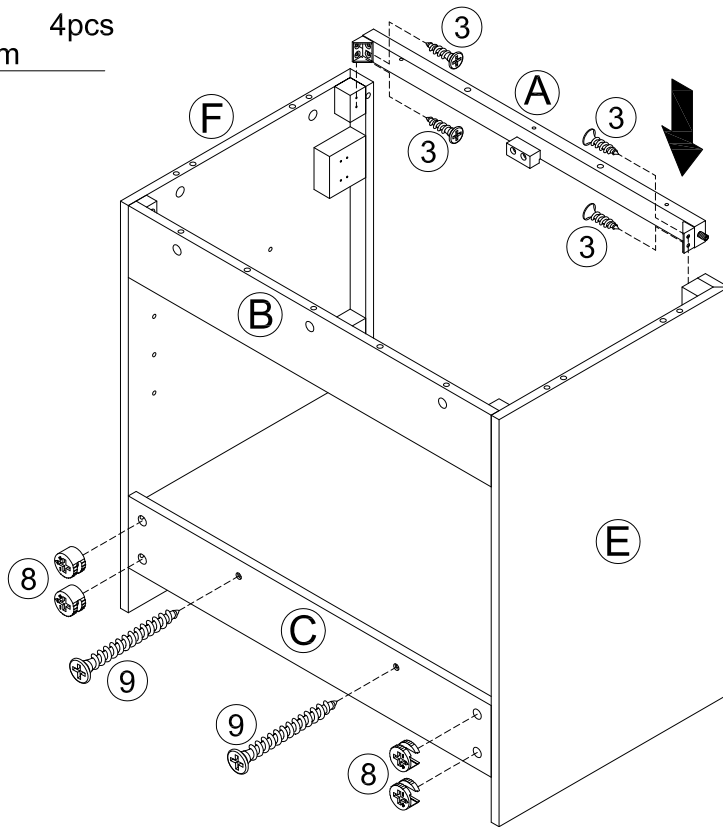


STEP 11


3  4pcs
Ø4x12mm

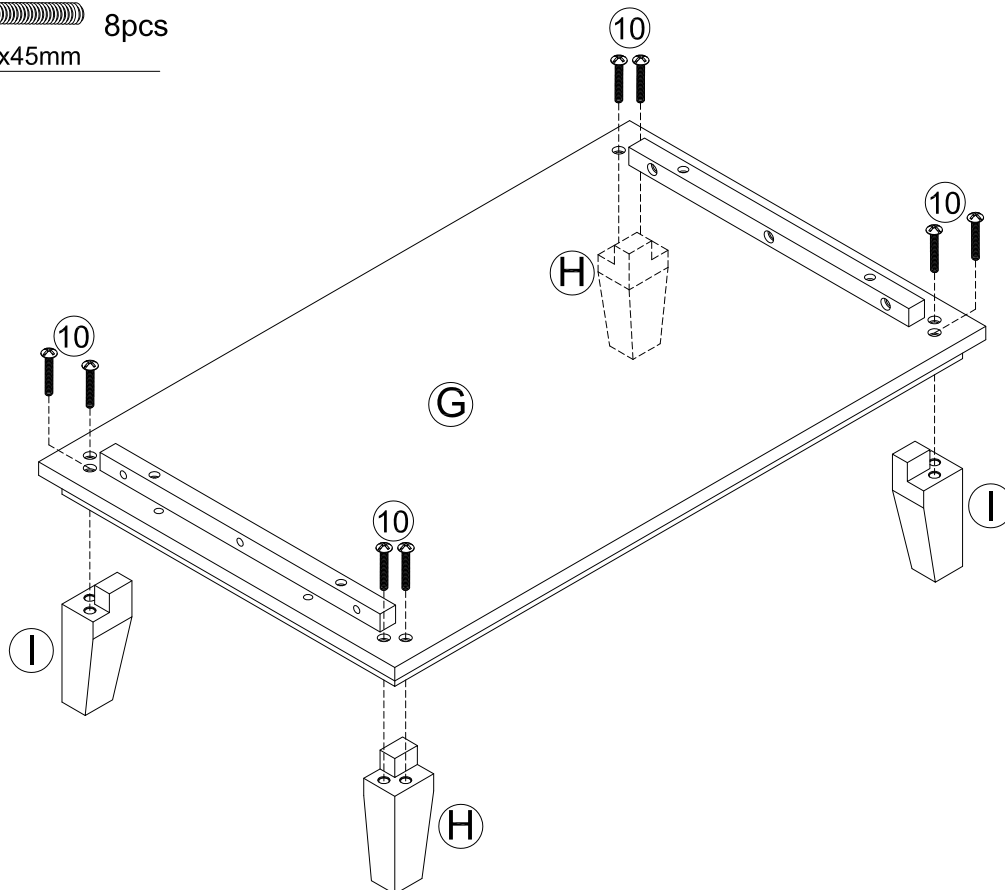
9  2pcs
Ø4x35

8  4pcs
Ø15x9mm

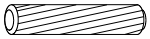


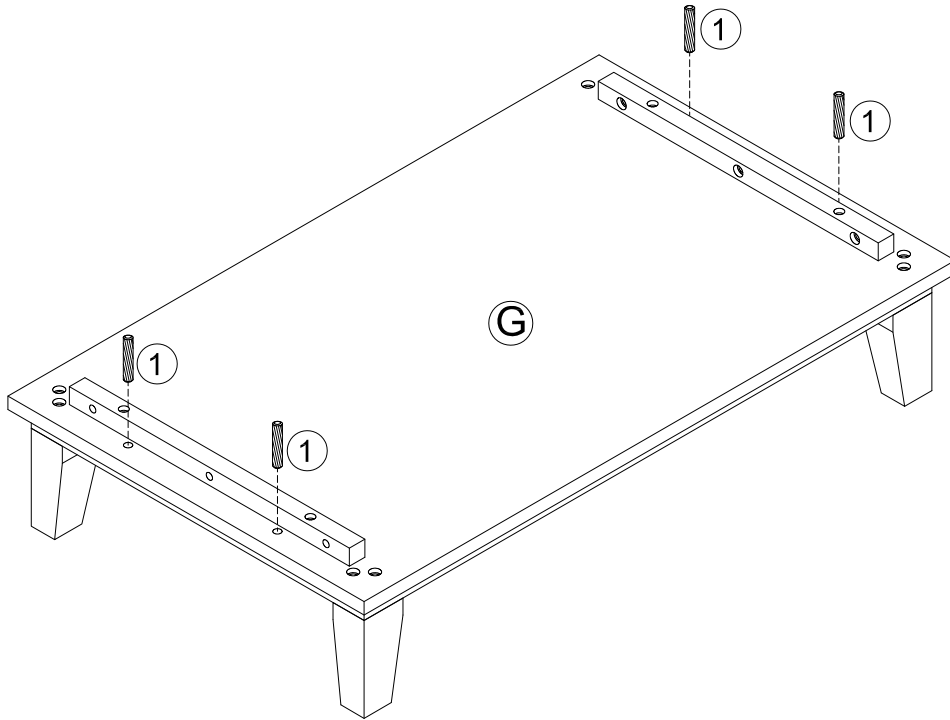
STEP 12

10  8pcs
1/4"x45mm




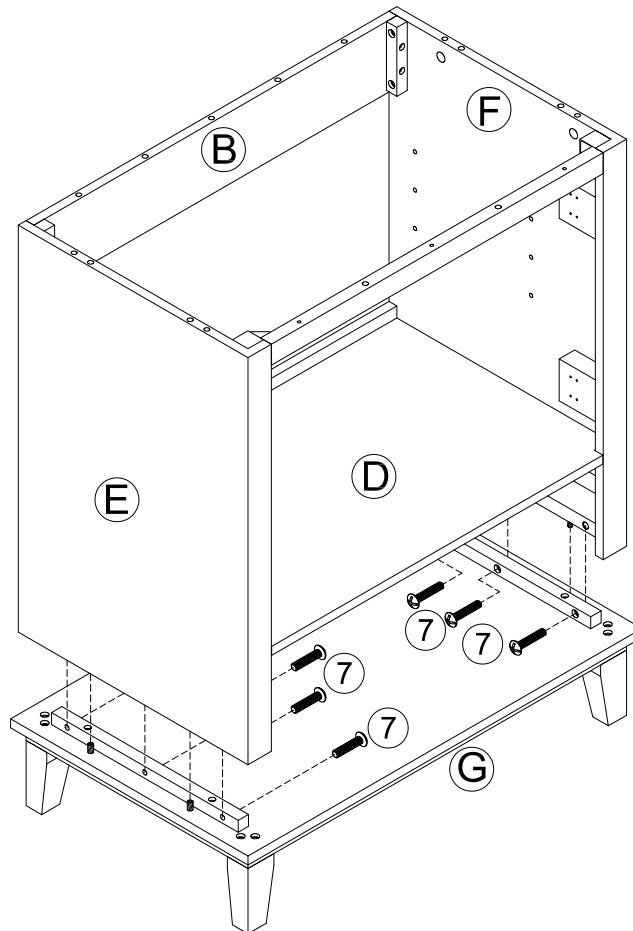
STEP 13

- ①  4pcs
Ø8x30mm

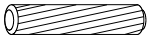


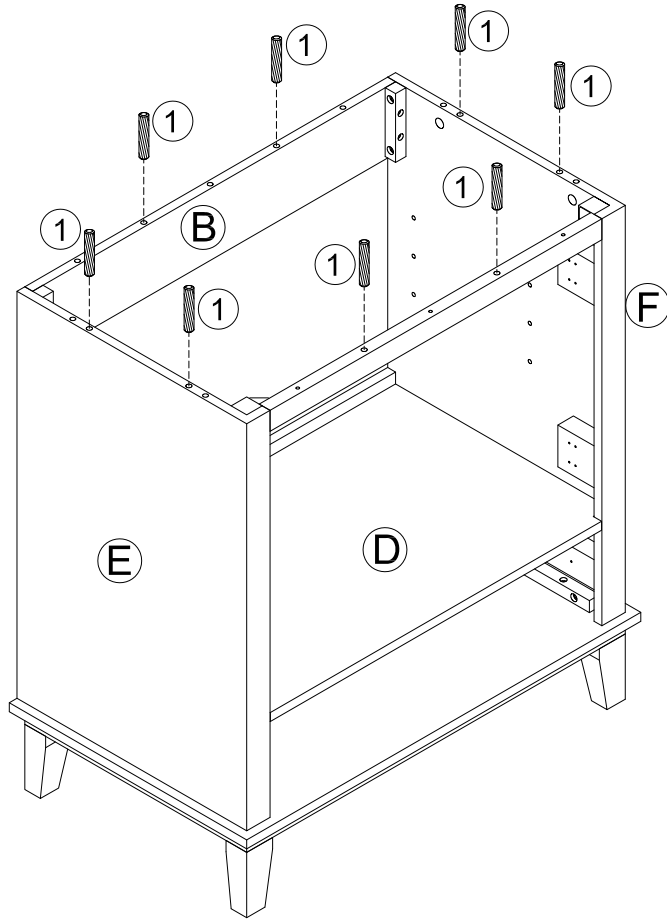
STEP 14

- ⑦  6pcs
1/4"x25mm

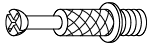


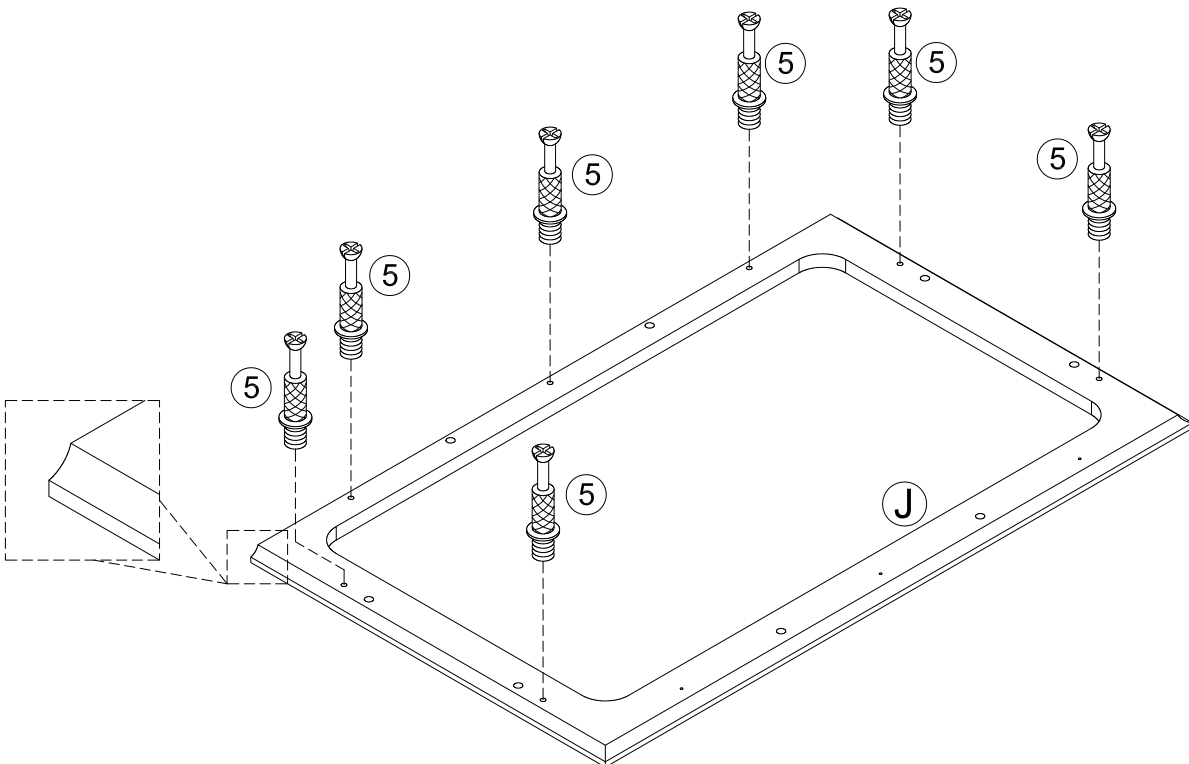
STEP 15

①  8pcs
Ø8x30mm




STEP 16

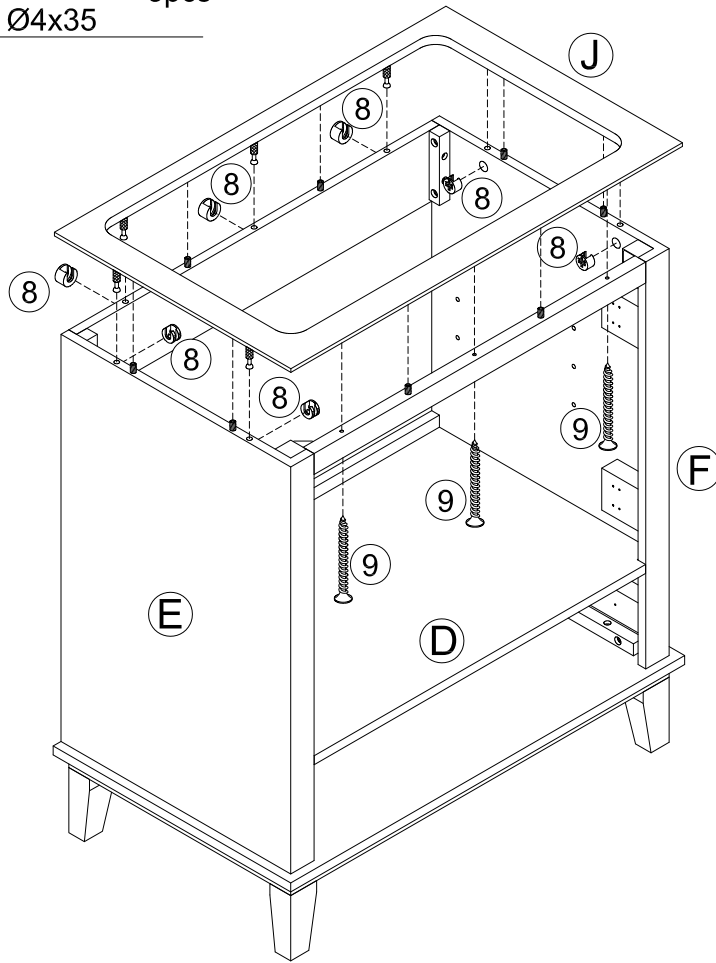
⑤  7pcs
Ø6x33mm



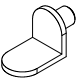
STEP 17

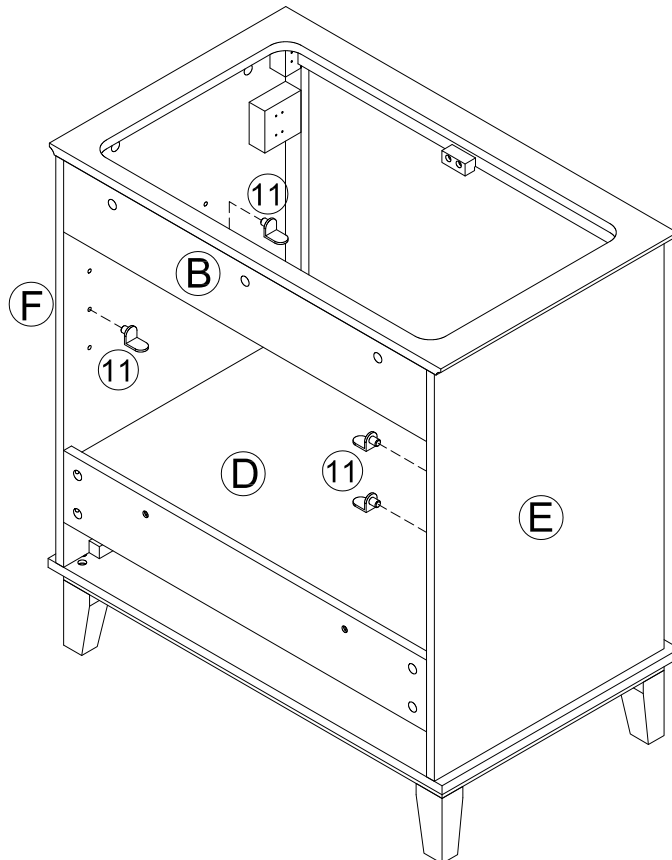
8  7pcs
Ø15x9mm

9  3pcs
Ø4x35

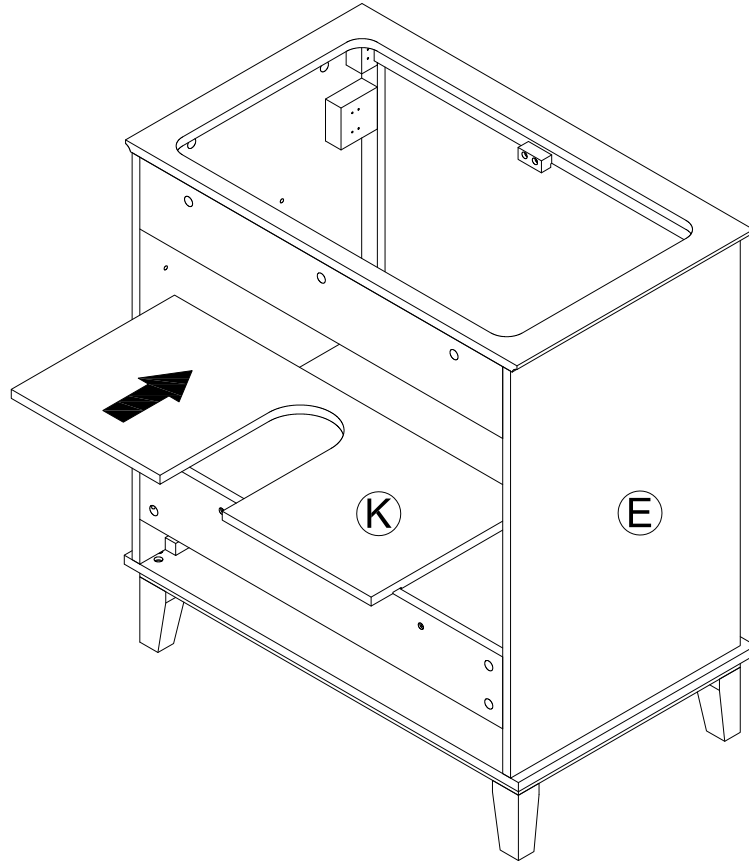


STEP 18


11  4pcs

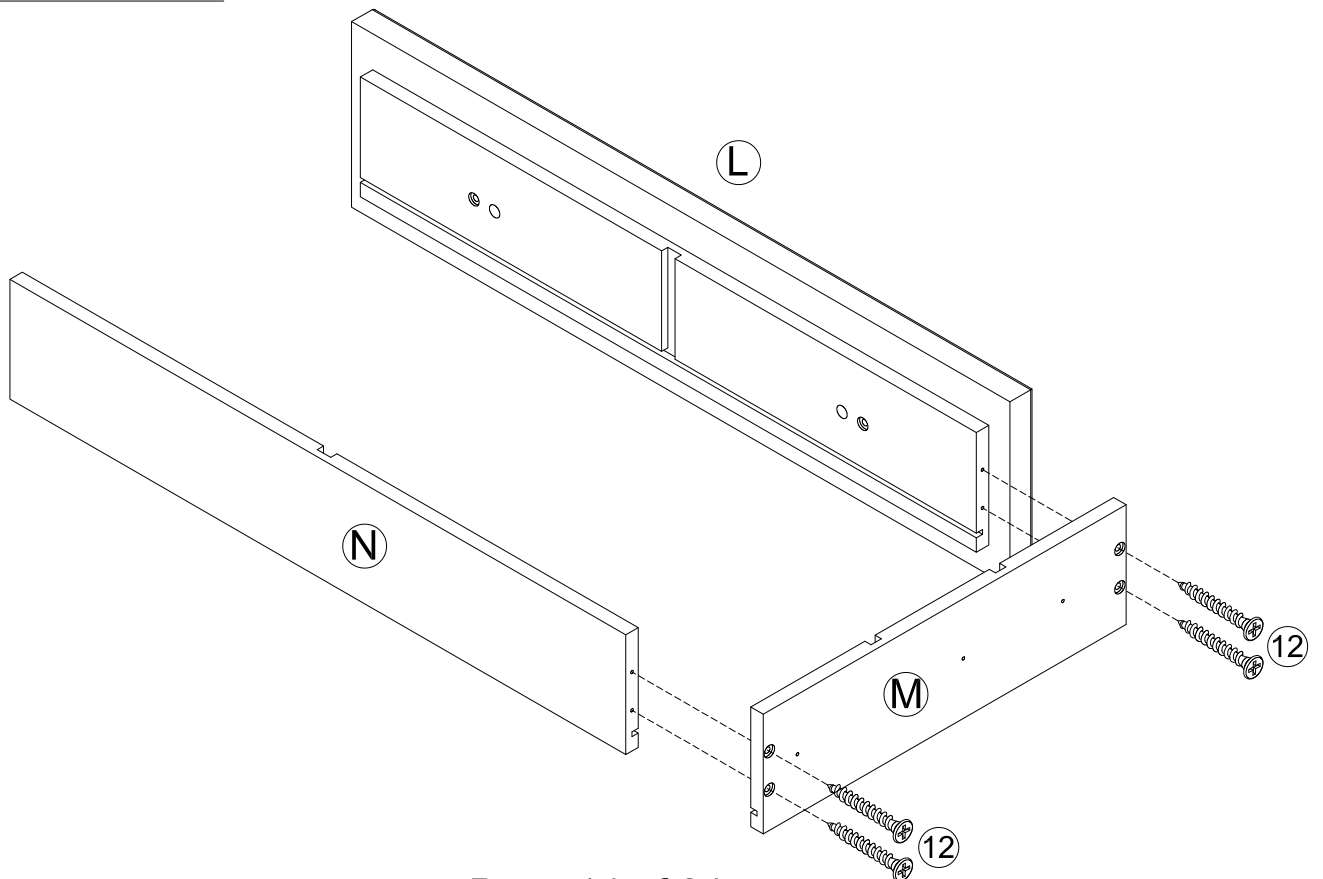


STEP 19

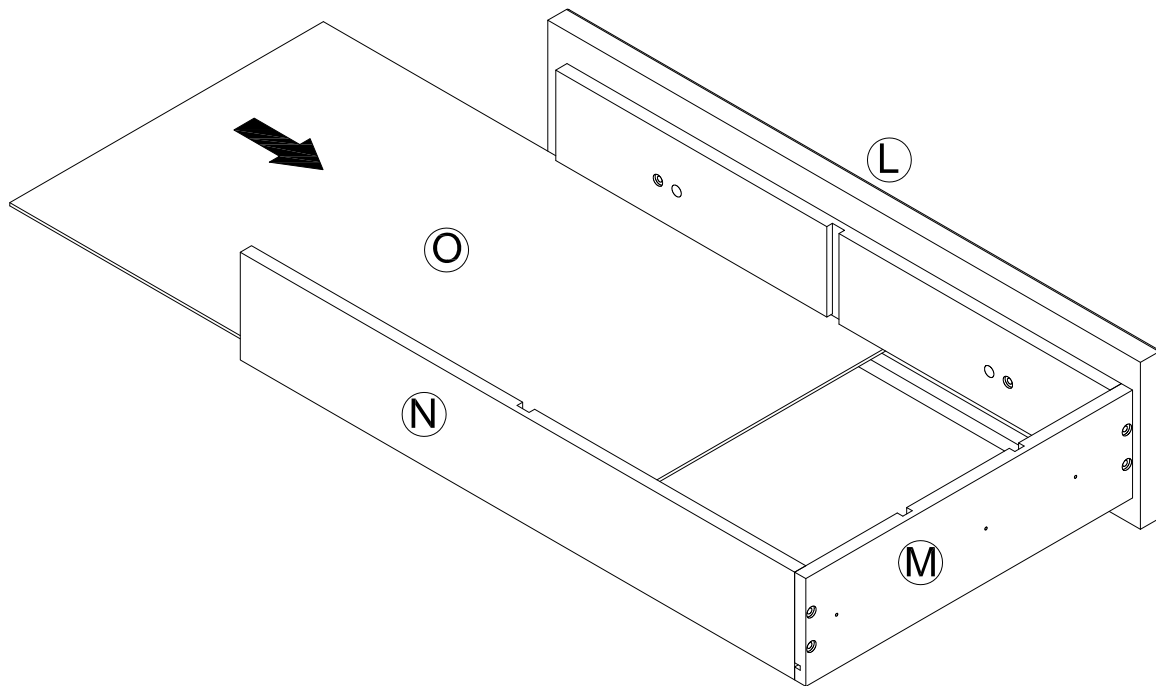


STEP 20


⑫  4pcs
Ø4x25

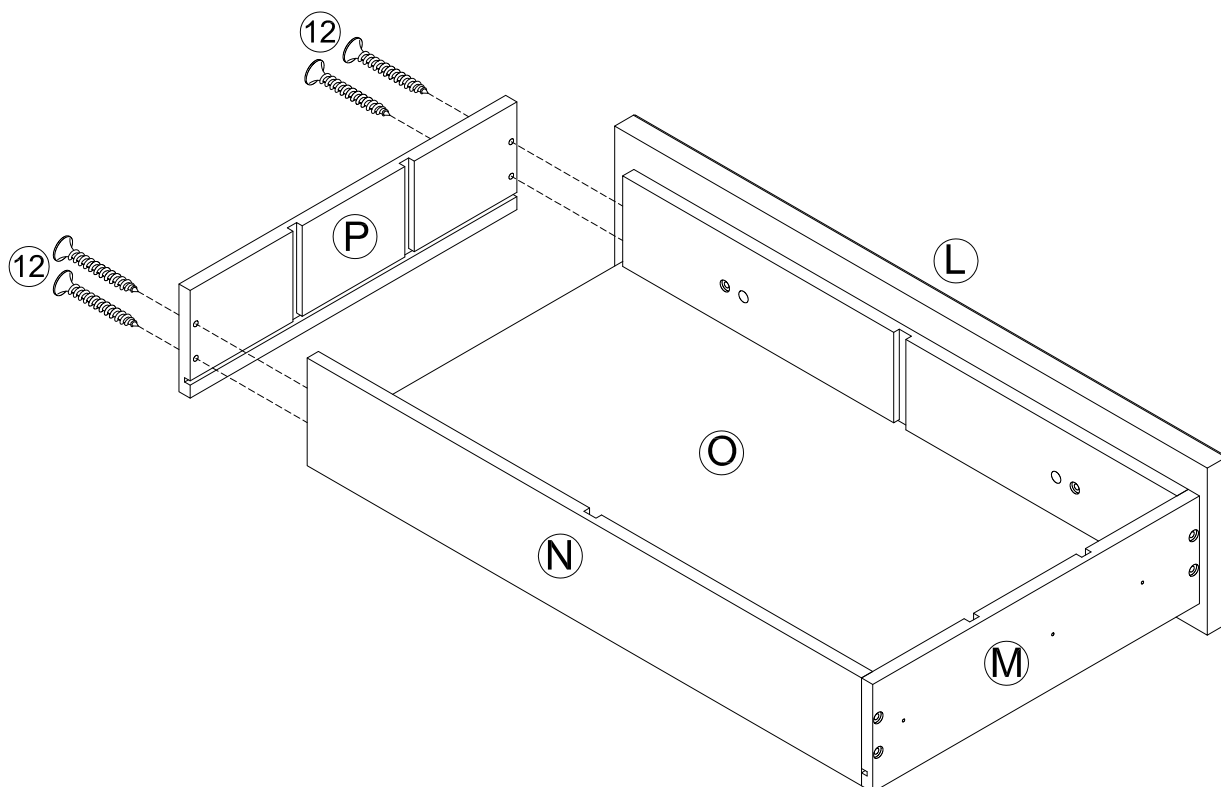


STEP 21



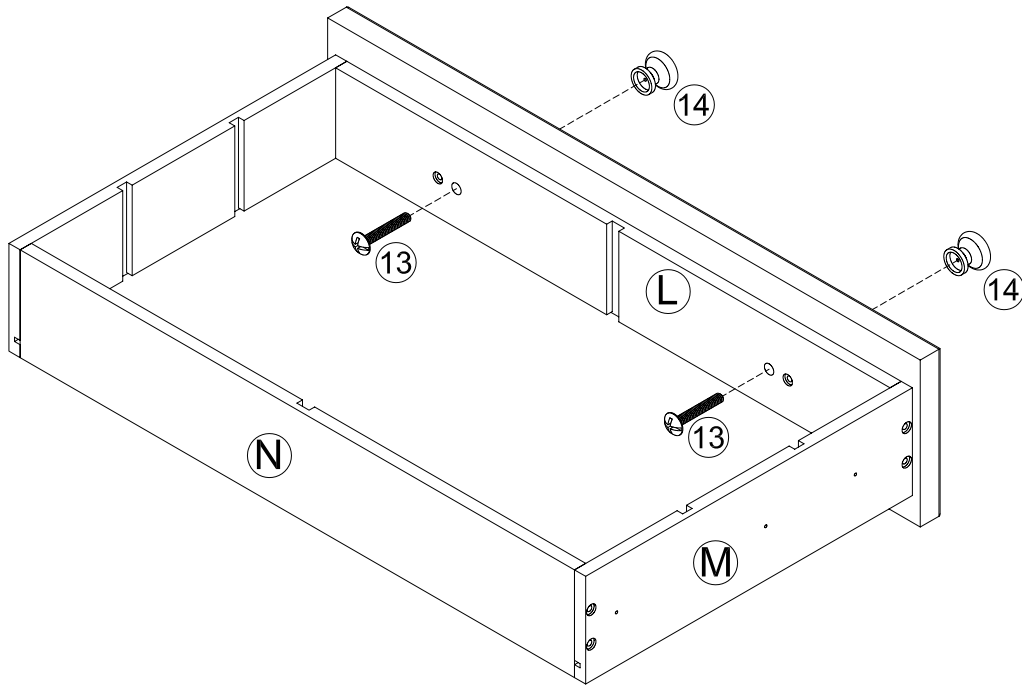
STEP 22

- ⑫  4pcs
Ø4x25

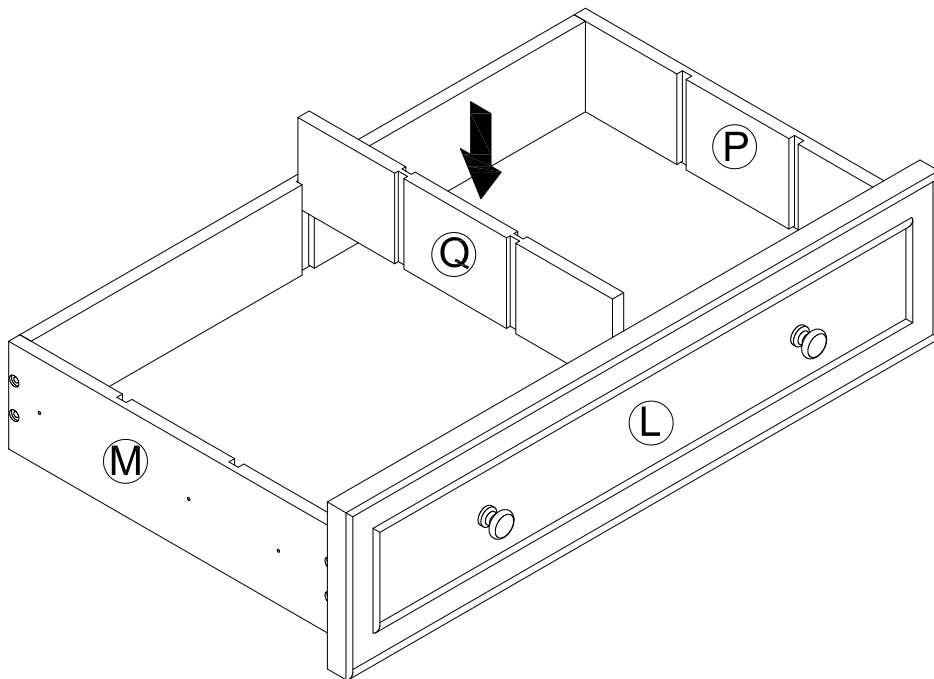


STEP 23

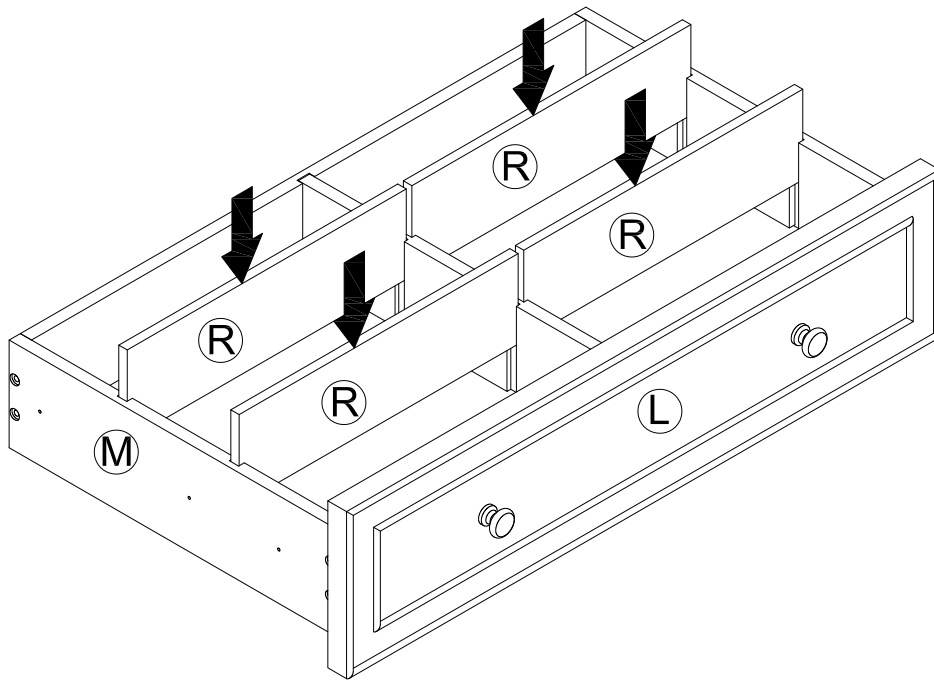
- ⑬ 5/32"x18mm 2pcs ⑭ 2pcs



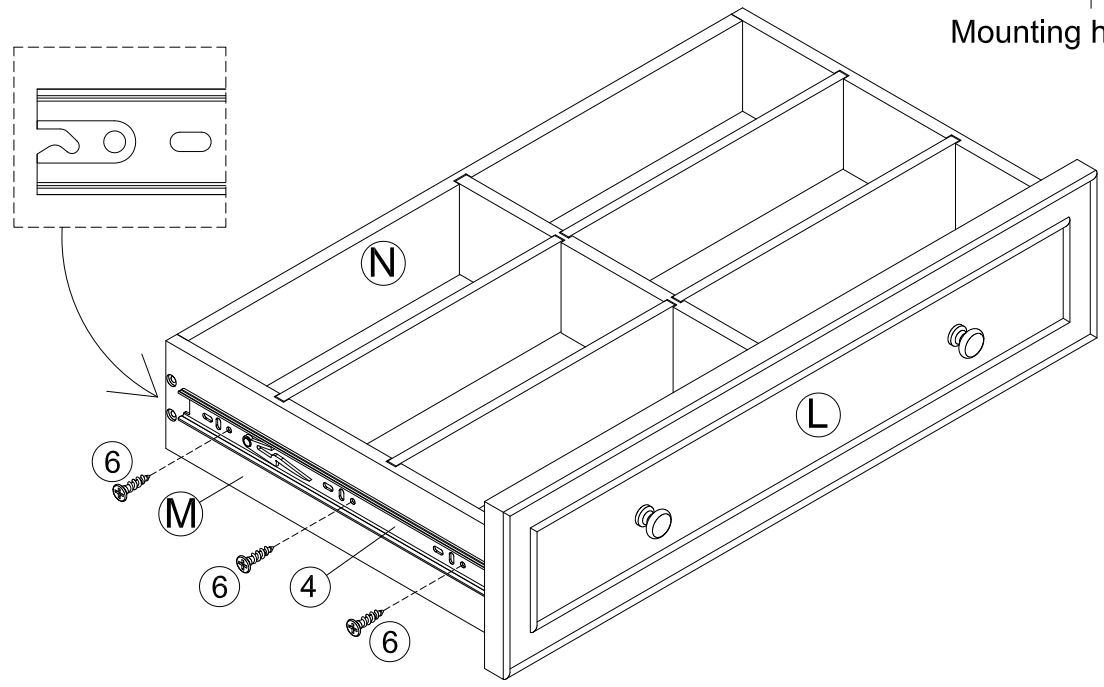
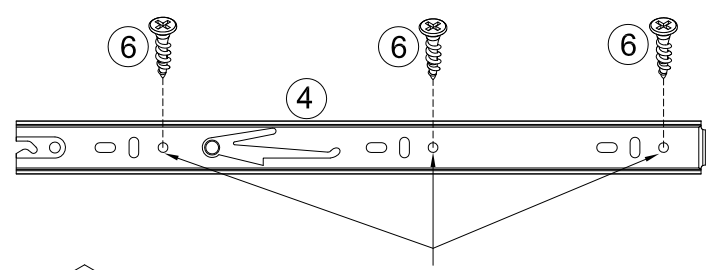
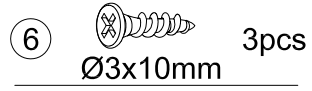
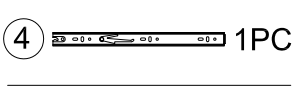
STEP 24



STEP 25




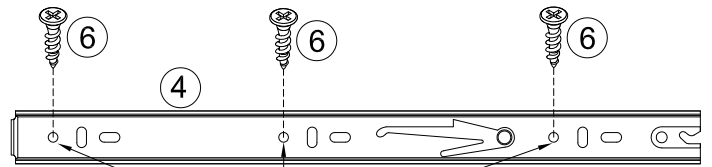
STEP 26



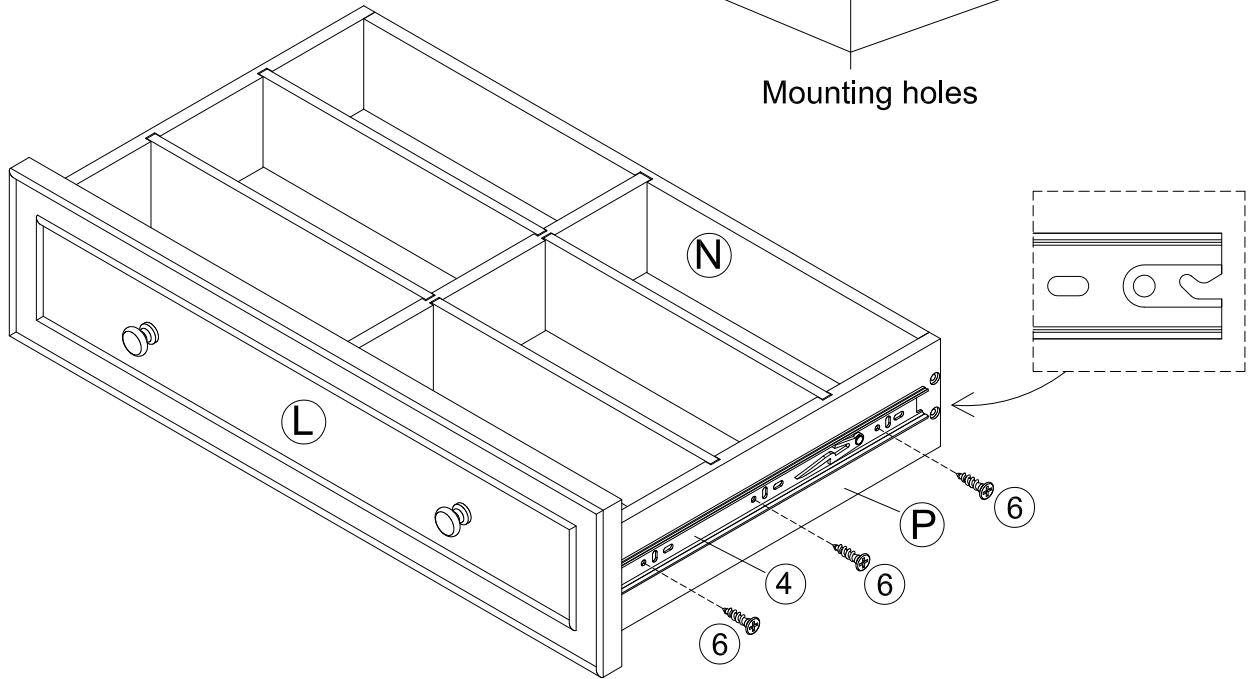
STEP 27

④  1PC

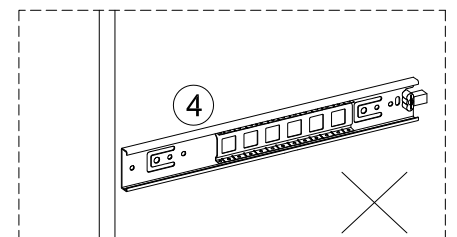
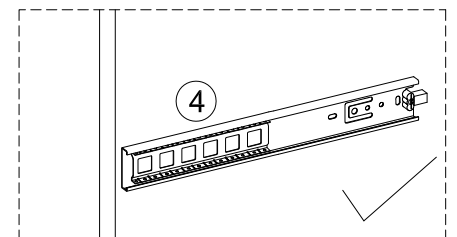
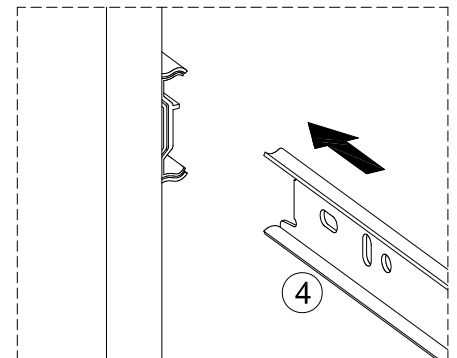
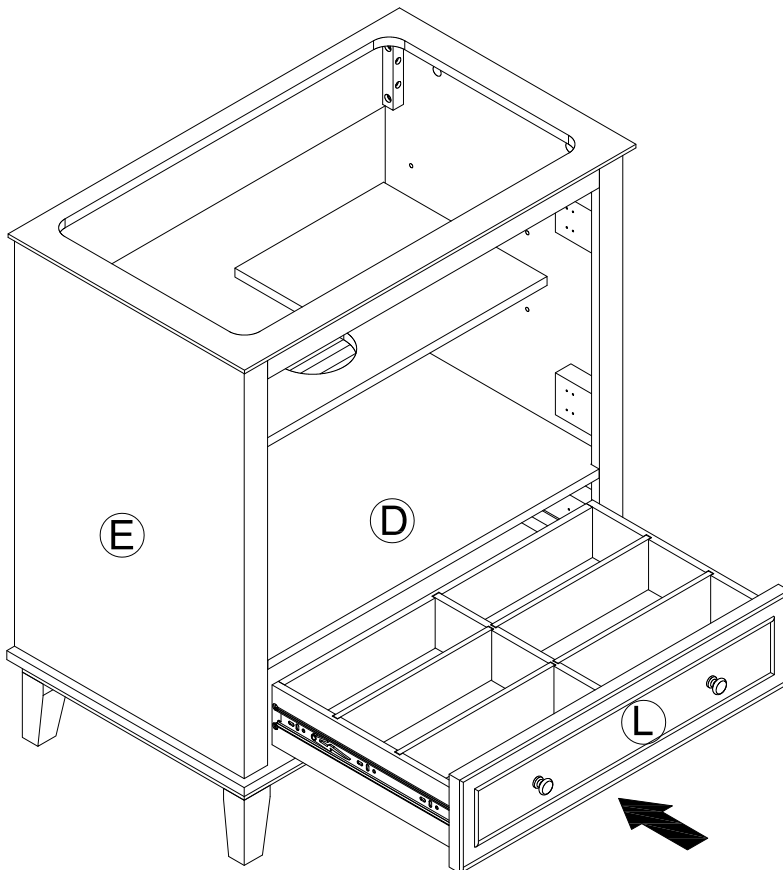
⑥  3pcs
Ø3x10mm



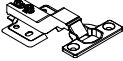
Mounting holes

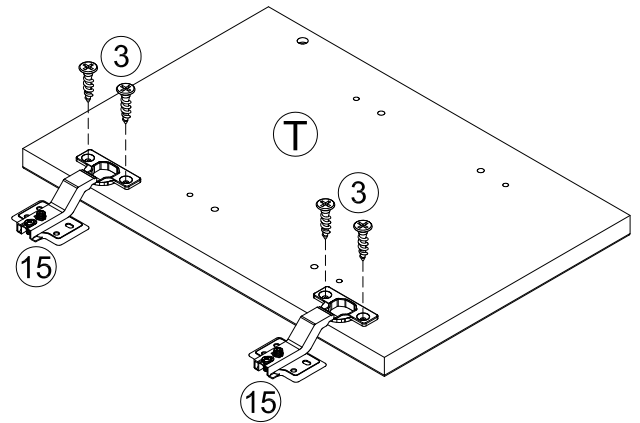
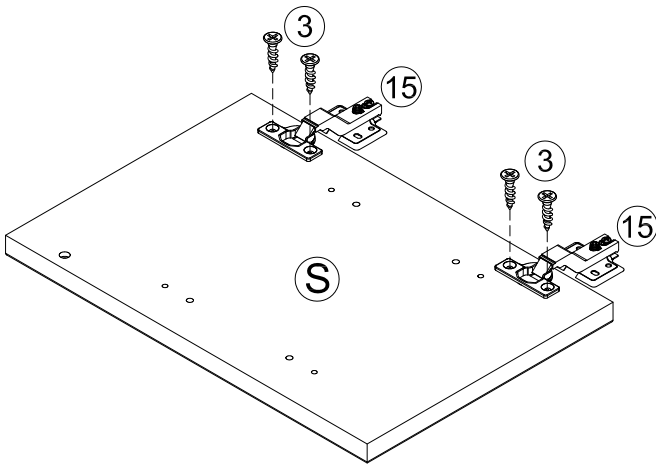
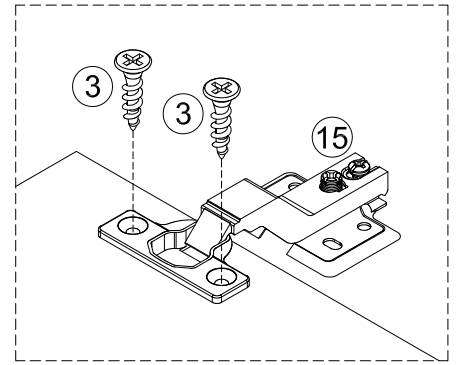


STEP 28




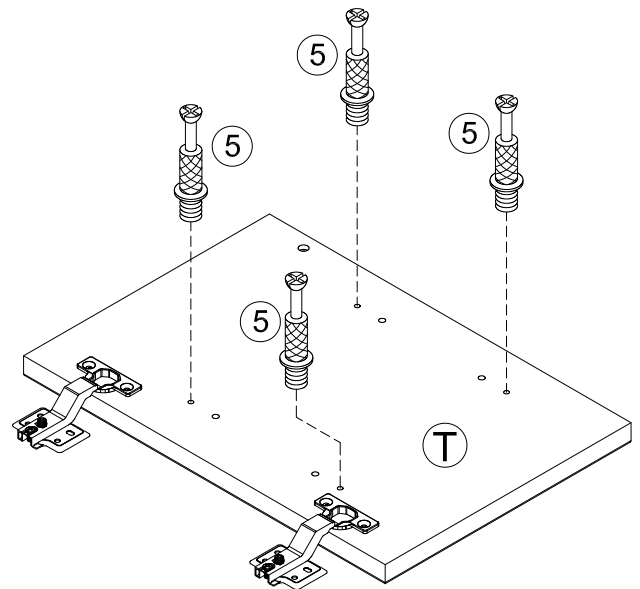
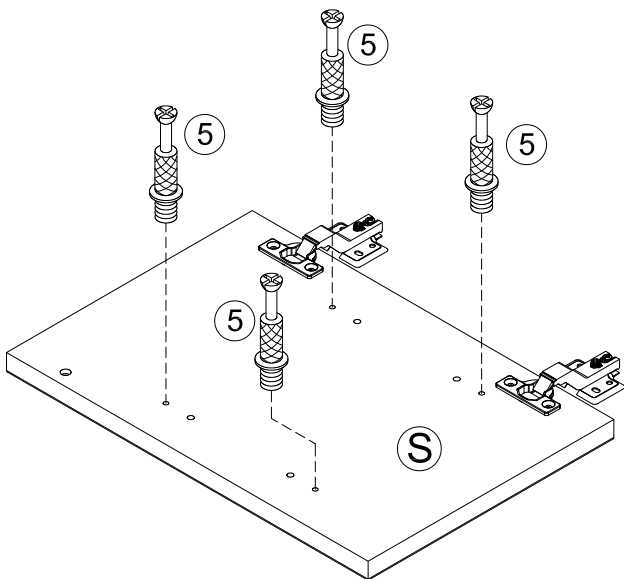
STEP 29

- ③  8pcs $\varnothing 4 \times 12 \text{mm}$
- ⑮  4pcs

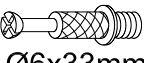


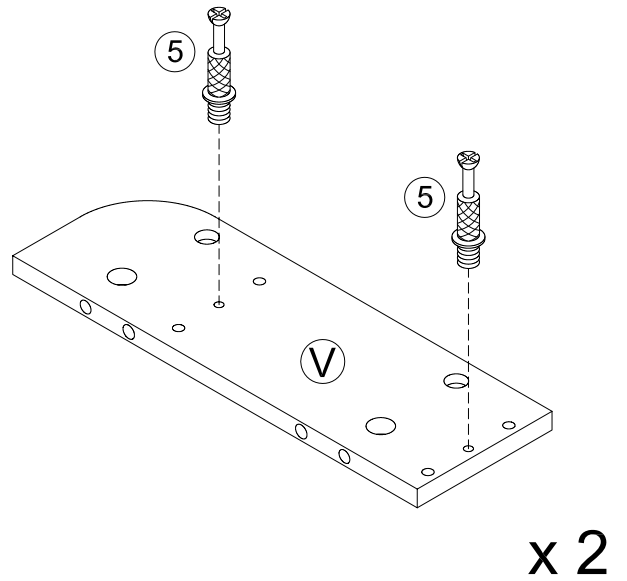
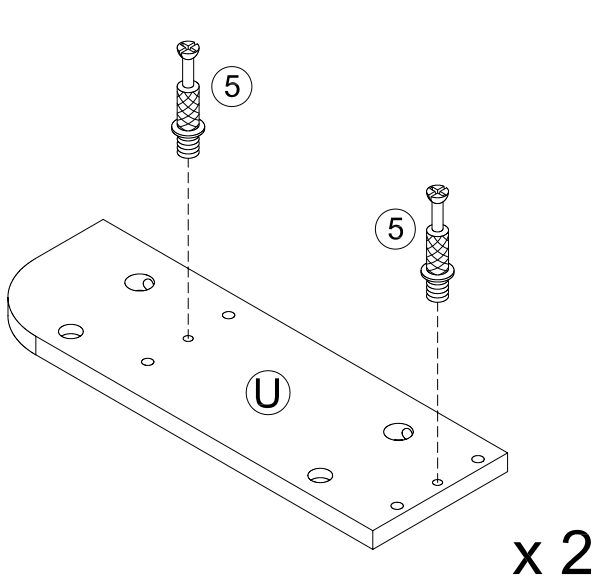
STEP 30

- ⑤  8pcs $\varnothing 6 \times 33 \text{mm}$

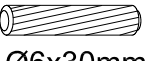


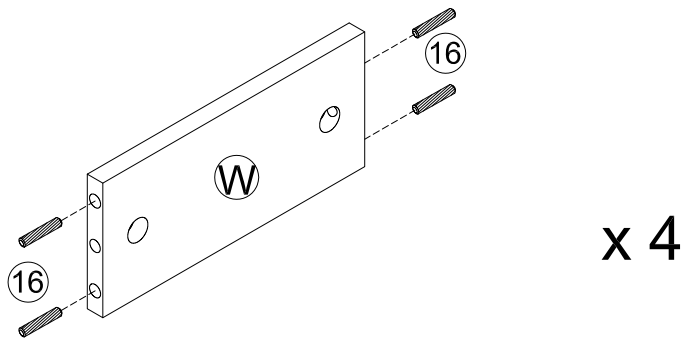
STEP 31

5  8pcs
Ø6x33mm



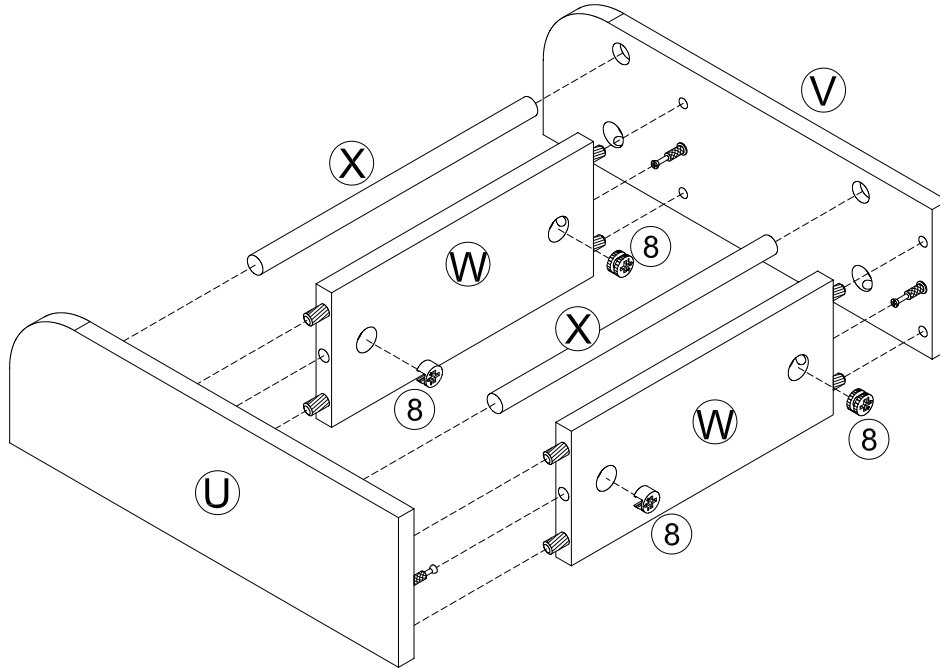
STEP 32

16  16pcs
Ø6x30mm




STEP 33


⑧  8pcs
Ø15x9mm

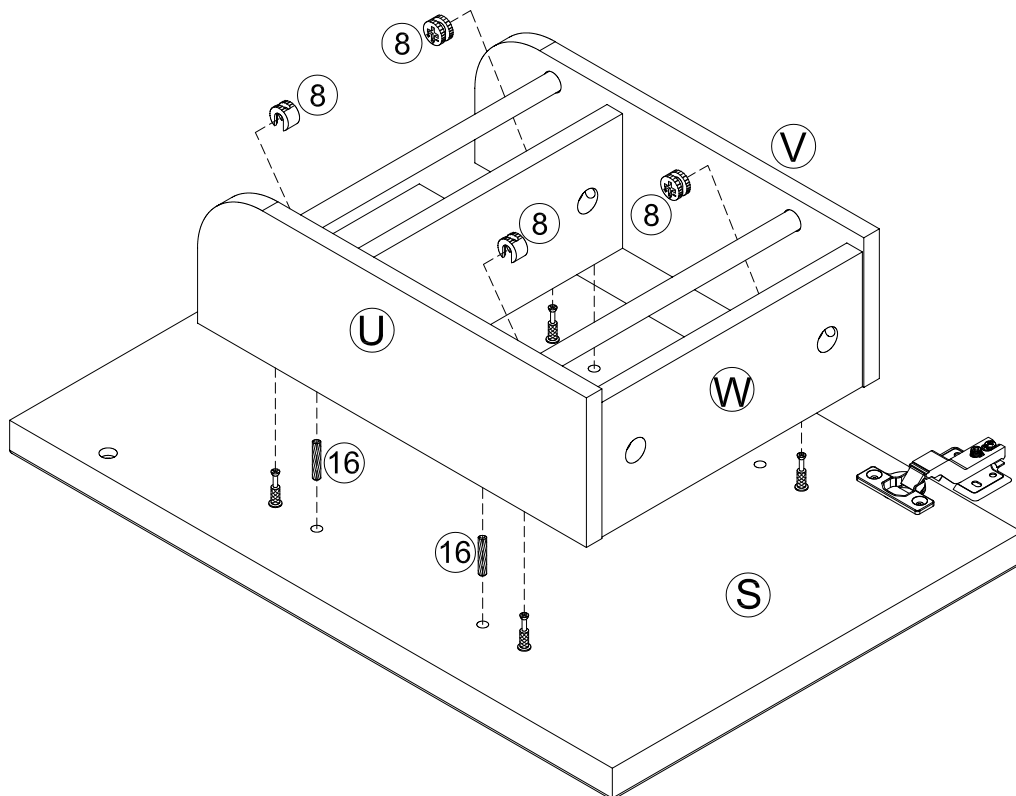


x 2

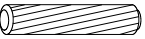
STEP 34

⑩⑥  4pcs
Ø6x30mm

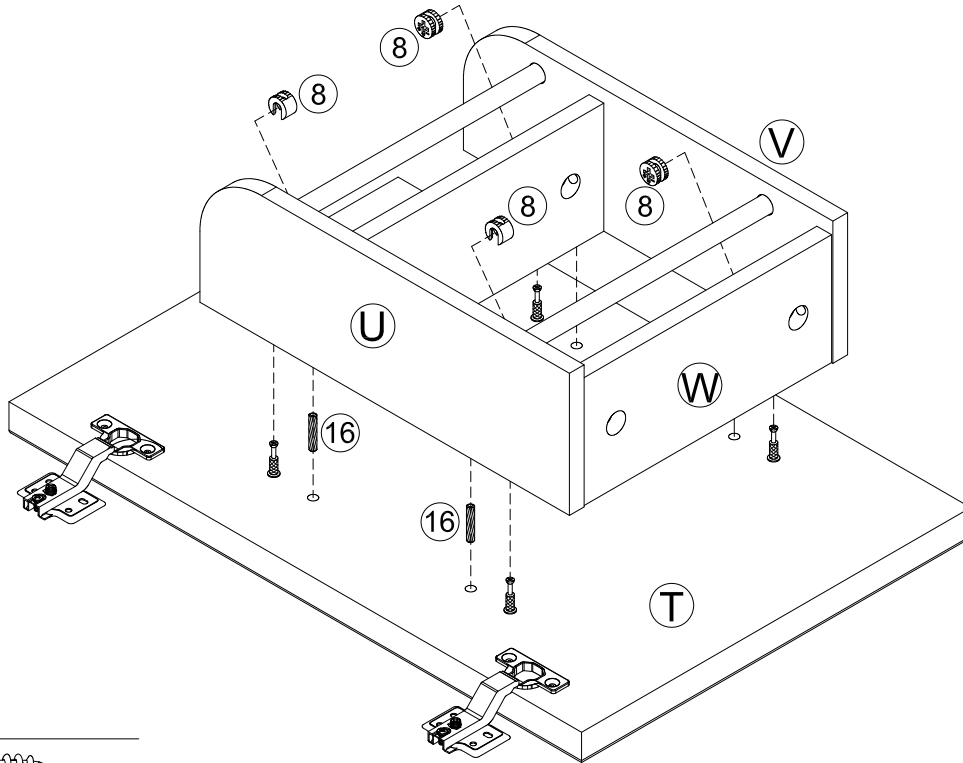
⑧  4pcs
Ø15x9mm




STEP 35

①⑥  4pcs
 Ø6x30mm

⑧  4pcs
 Ø15x9mm

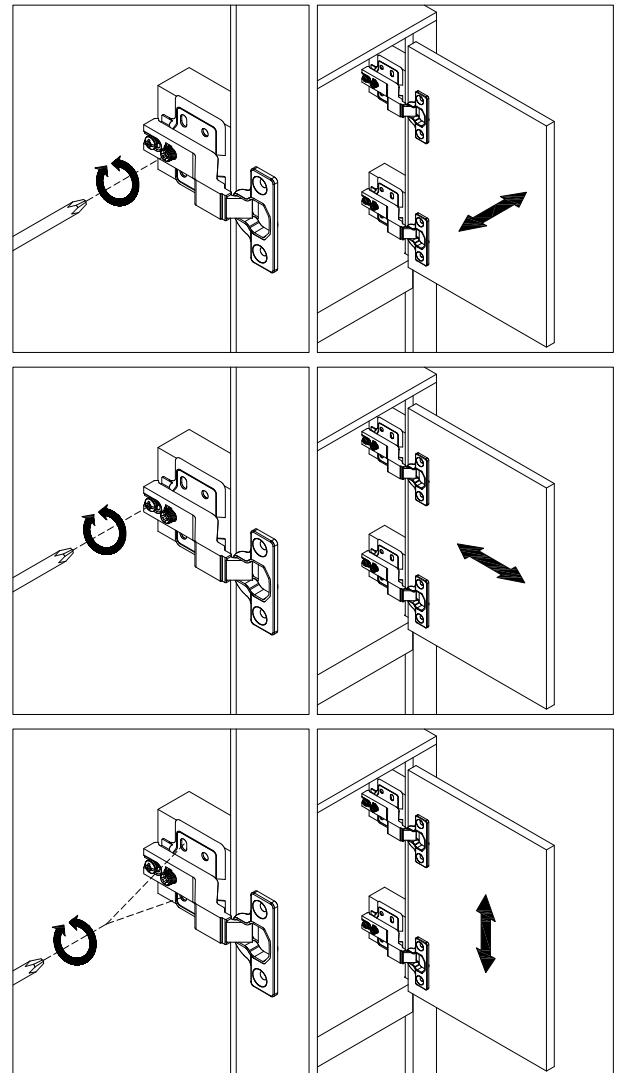
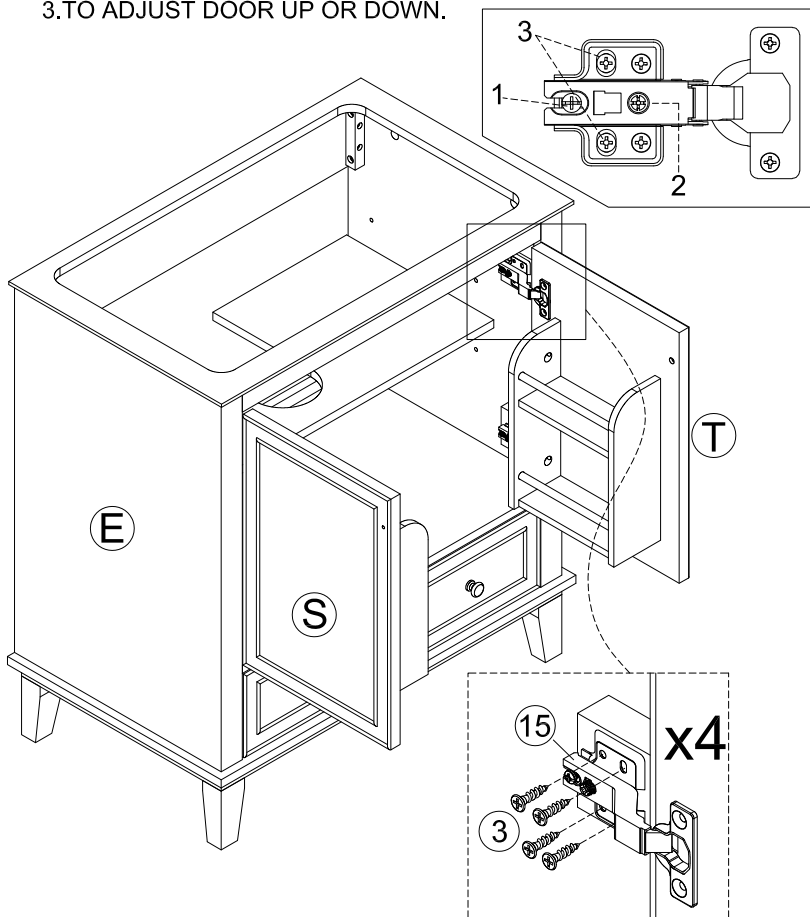


STEP 36

③  16pcs
 Ø4x12mm

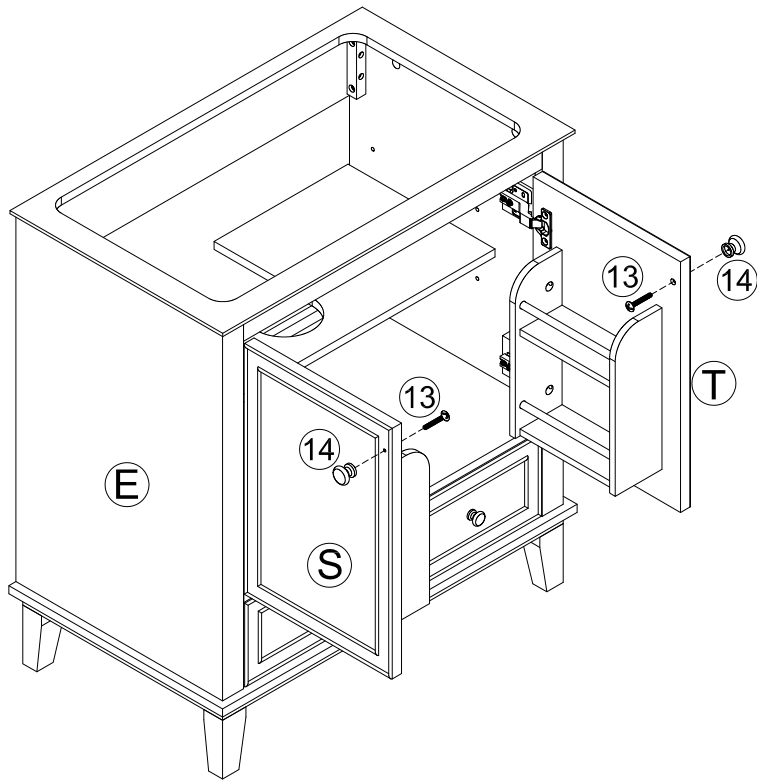
Three-way adjustable hinge for perfectly aligned doors

1. TO ADJUST DOOR FORWARD OR BACKWARD.
2. TO ADJUST DOOR TO RIGHT OR TO LEFT.
3. TO ADJUST DOOR UP OR DOWN.

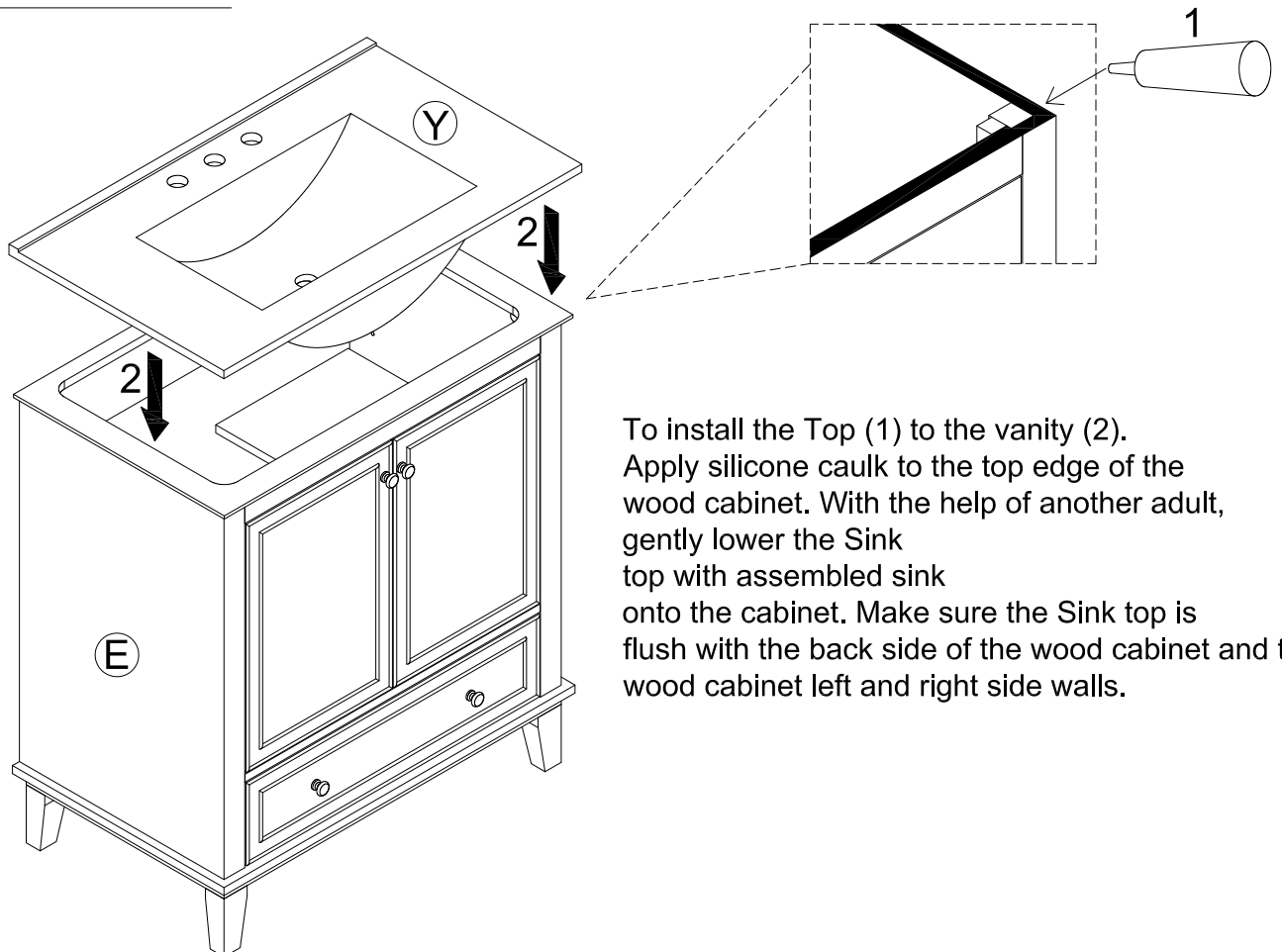


STEP 37

- (13)  2pcs 5/32"x18mm (14)  2pcs



STEP 38



To install the Top (1) to the vanity (2). Apply silicone caulk to the top edge of the wood cabinet. With the help of another adult, gently lower the Sink top with assembled sink onto the cabinet. Make sure the Sink top is flush with the back side of the wood cabinet and the wood cabinet left and right side walls.

