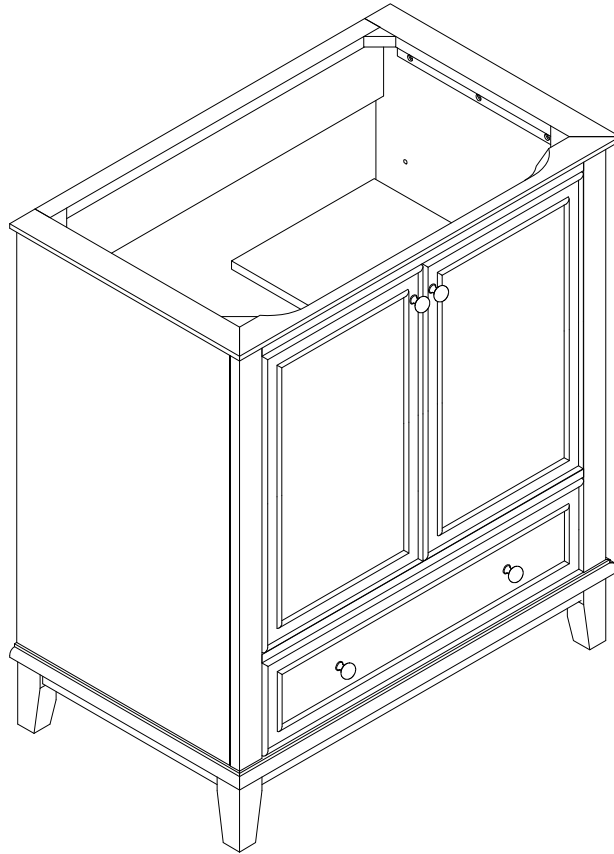


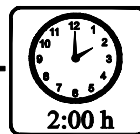
ASSEMBLY INSTRUCTIONS

BATH VANITY-CABINET

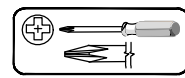


Thank you for purchasing this quality product. Be sure to check all packing material carefully for small parts which may have come loose inside the carton during shipment. Separate, identify and count all parts and hardware. Compare with the parts list to be sure all parts are present.
"DO NOT TIGHTEN SCREWS UNTIL COMPLETELY ASSEMBLED"

*** Use of power tool to assemble this product will invalidate any claim and damage this product making unsafe !!!**
*** Please assemble on a clean soft surface to avoid damage.**



Tools Required



(Not included)



(Not included)

IMPORTANT:

PLEASE READ INSTRUCTION BEFORE STARTING THE ASSEMBLY

Thank you for buying our products.

Please read the installation manual carefully before installation,

we need you to follow the instructions on the accessories and hardware

step by step assembly complete, our instructions are very detailed.

Products are environmentally friendly products,

Please rest assured that you do not soak in water, do not place very heavy items,

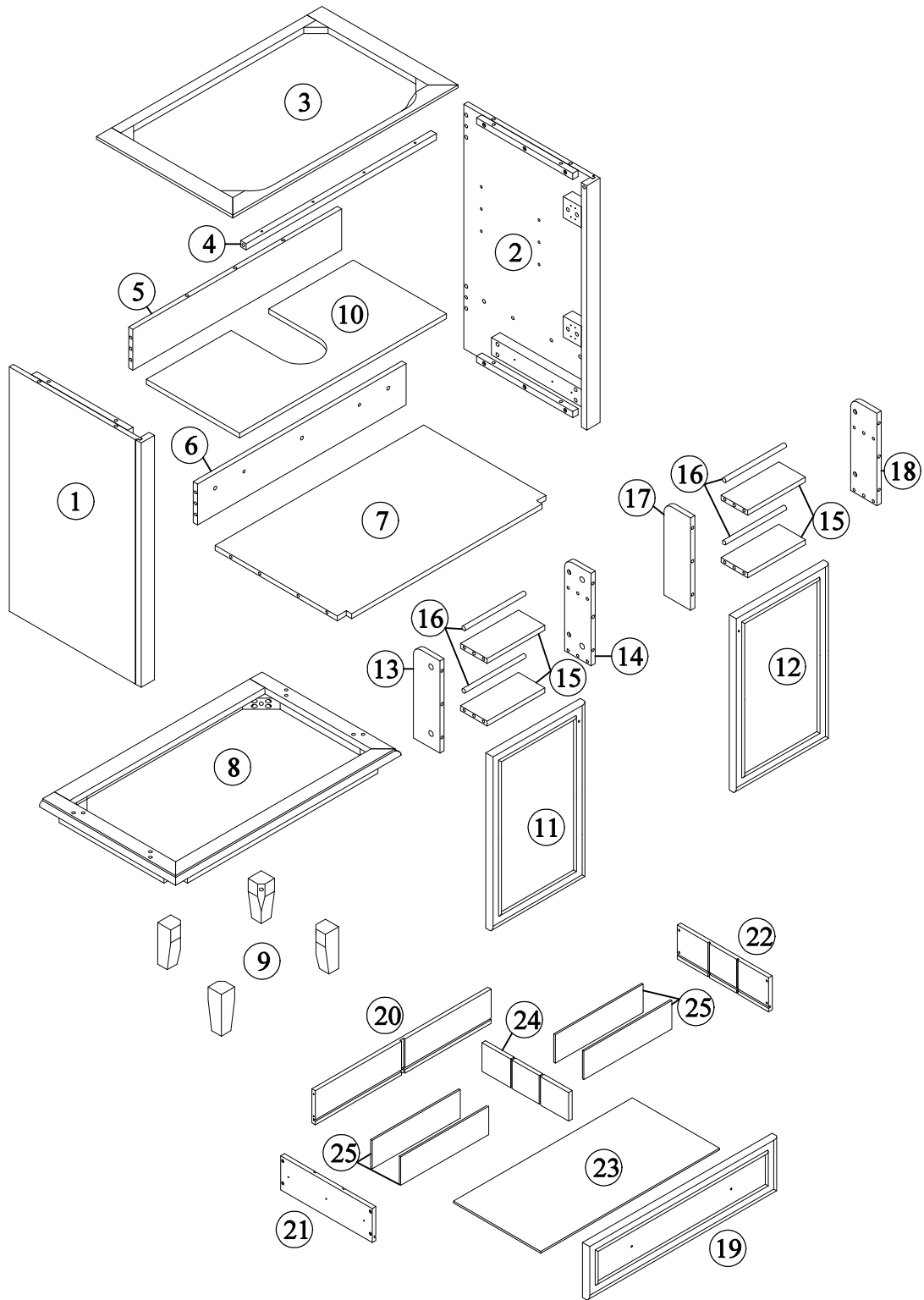
do not malicious push and pull,

if you have any problems in the process of assembly and use, please contact us.

Thank you again for your purchase of our products,


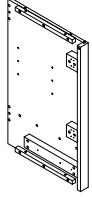
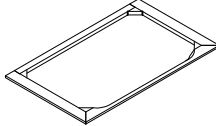
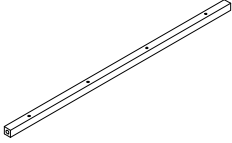
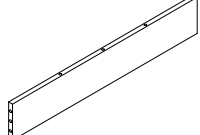
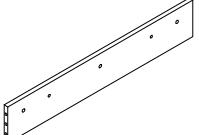
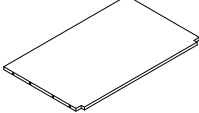
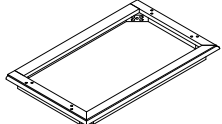

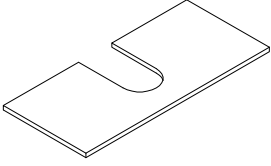
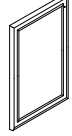
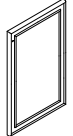


I wish you a happy life.

Detail View - CABINET

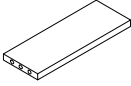
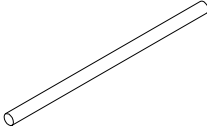

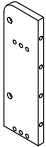
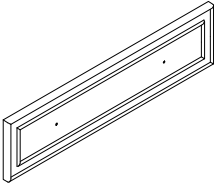
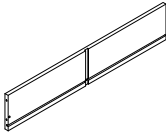
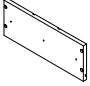
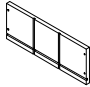
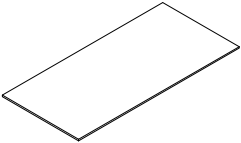
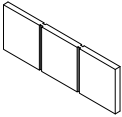
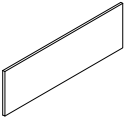


Identifying the Hardware-Identify the hardware using the illustrations below.

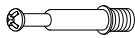




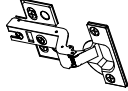
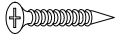
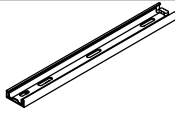
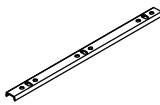
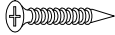

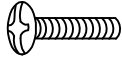

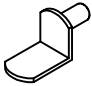



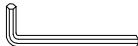
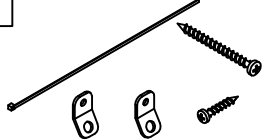
Part List - WF306250

<p>1</p>  <p>Side Panel (L) - 1pc</p>	<p>2</p>  <p>Side Panel (R) - 1pc</p>
<p>3</p>  <p>Frame Top - 1pc</p>	<p>4</p>  <p>Front Bar Top - 1pc</p>
<p>5</p>  <p>Rear Panel Top - 1pc</p>	<p>6</p>  <p>Rear Panel Bottom - 1pc</p>
<p>7</p>  <p>Frame Mid - 1pc</p>	<p>8</p>  <p>Frame Bottom - 1pc</p>
<p>9</p>  <p>Foot - 4pcs</p>	<p>10</p>  <p>Adjustable Shelf - 1pc</p>
<p>11</p>  <p>Door (L) - 1pc</p>	<p>12</p>  <p>Door (R) - 1pc</p>
<p>13</p>  <p>Panel Left Side Door (L) - 1pc</p>	<p>14</p>  <p>Panel Right Side Door (L) - 1pc</p>

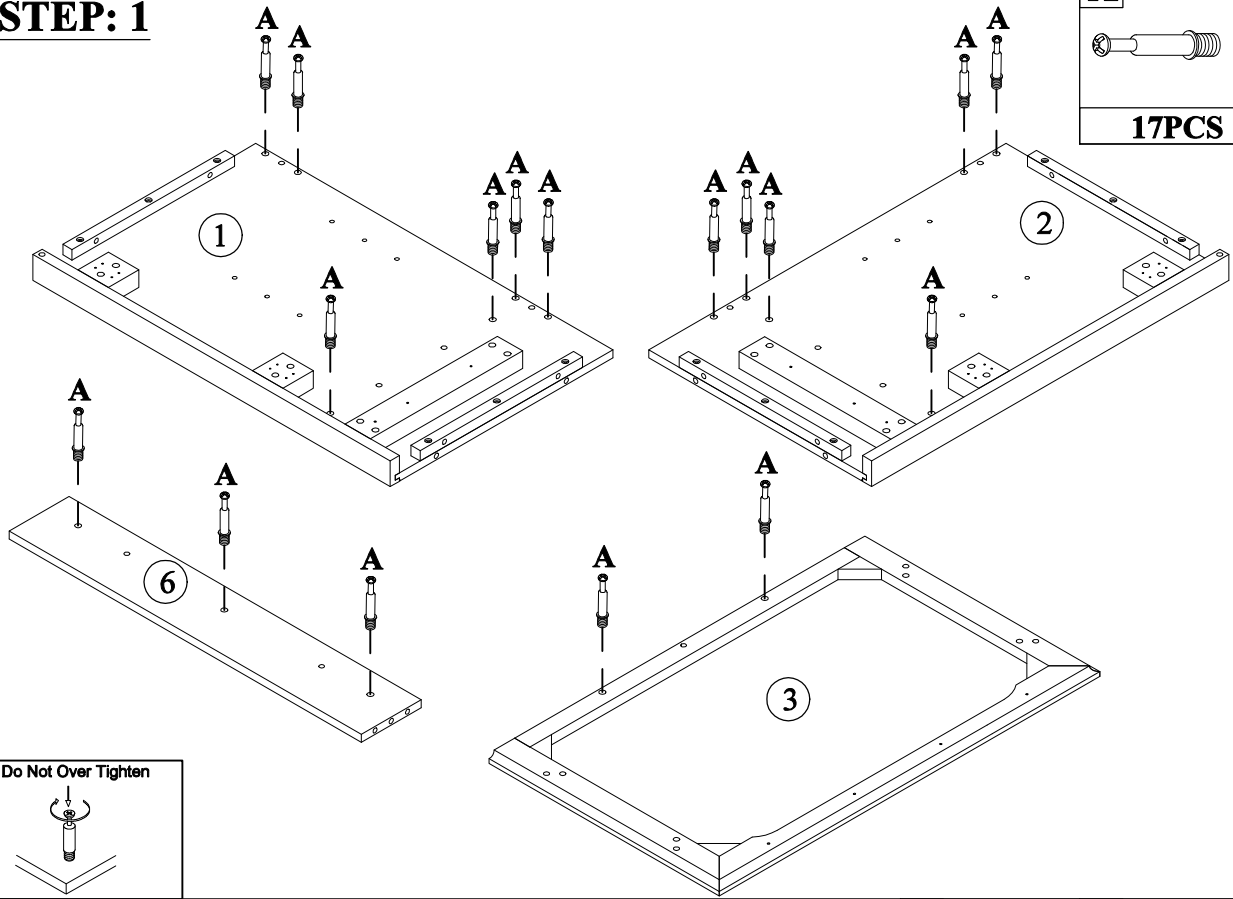
Part List - WF306250

<p>15</p>  <p>Panel Mid Door - 4pcs</p>	<p>16</p>  <p>Round Bar Door - 4pcs</p>
<p>17</p>  <p>Panel Left Side Door (R) - 1pc</p>	<p>18</p>  <p>Panel Right Side Door (R) - 1pc</p>
<p>19</p>  <p>Drawer Face - 1pc</p>	<p>20</p>  <p>Drawer Rear - 1pc</p>
<p>21</p>  <p>Drawer Side(L) - 1pc</p>	<p>22</p>  <p>Drawer Side(R) - 1pc</p>
<p>23</p>  <p>Drawer Bottom - 1pc</p>	<p>24</p>  <p>Drawer Mid - 1pc</p>
<p>25</p>  <p>Drawer divide - 4pcs</p>	

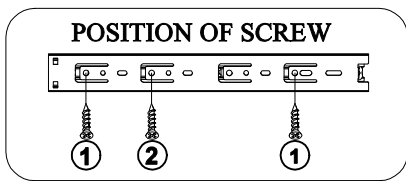
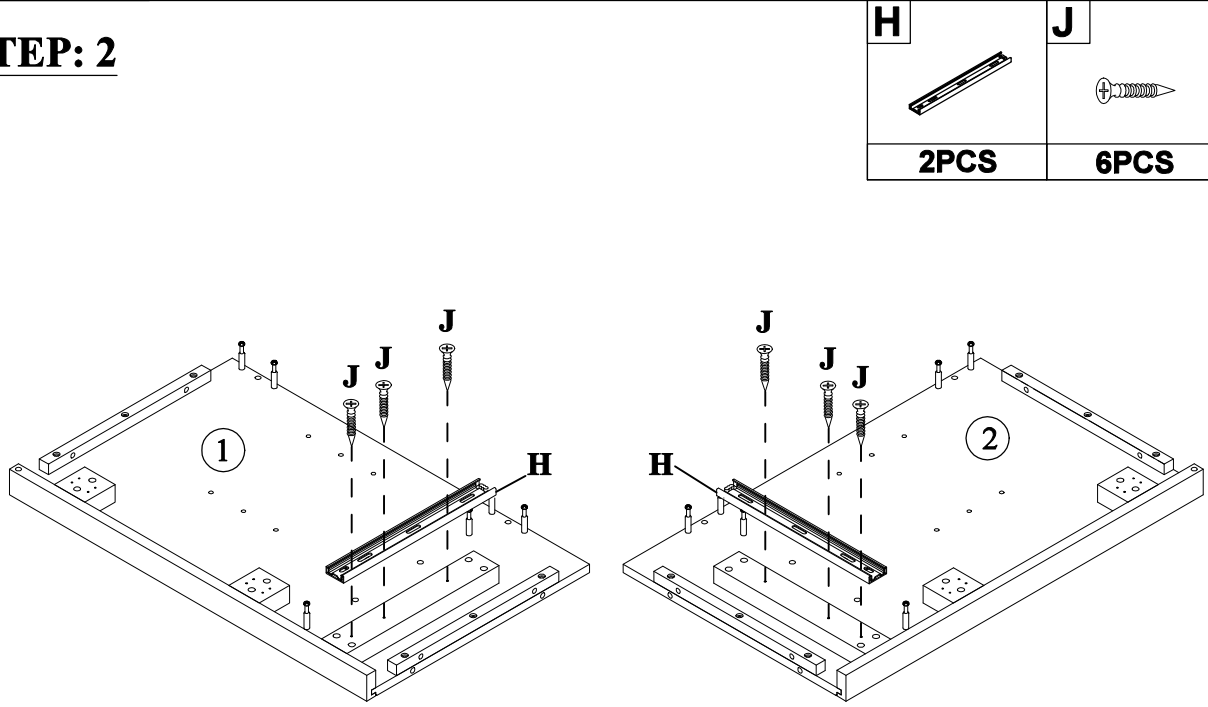
Hardware List - WF306250

A  ø6x35mm	B  ø14.5x12mm	C  ø13x1/4"x28mm
Three in one bolts (41pcs)	Three in one lock (41pcs)	Hex-Head bolts (8pcs)
D  ø13x1/4"x38mm Hex-Head bolts (4pcs)	E  ø1/4"x16x1mm Washer (12pcs)	F  Damping hinge (4pcs)
G  ø7xø3.5x15mm Flat head screw (24pcs)	H  ø300x35mm Slide rails (2pcs)	I  ø298x18mm Slide rails (2pcs)
J  ø6xø3x12mm Flat head screw (12pcs)	K  Handle (4pcs)	L  ø5/32"x15mm Handle screw (2pcs)
M  ø5/32"x28mm Handle screw (2pcs)	N  Laminate pad(4pcs)	O  ø8xø4x30mm Round head screw (8pcs)
P  ø8xø4x25mm Round head screw (4pcs)	Q  ø8x30mm Wood dowel (33pcs)	R  4mm Allen key (1pc)
S  Anti fall hardware (1set)		


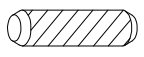
STEP: 1

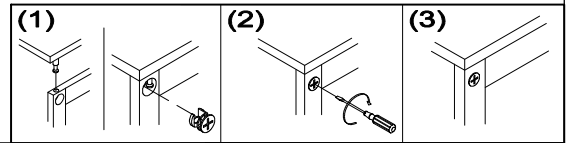
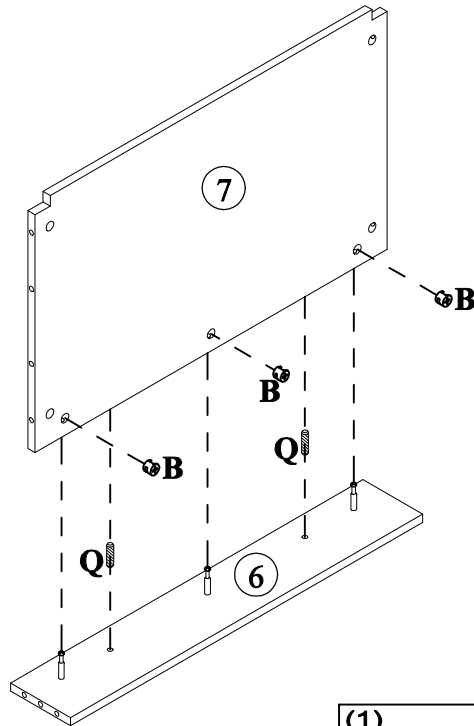


STEP: 2


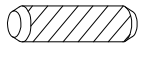


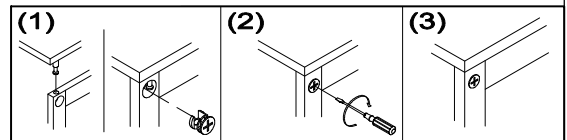
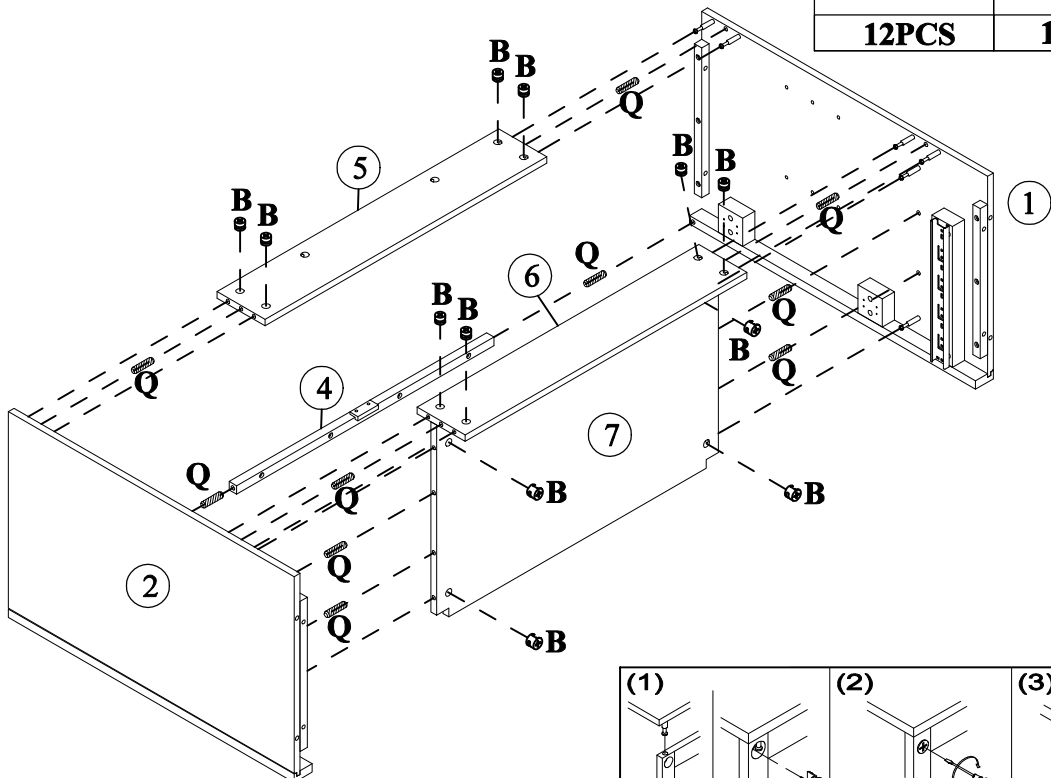
STEP: 3

B		Q	
	3PCS		2PCS


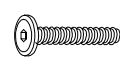


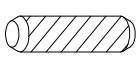


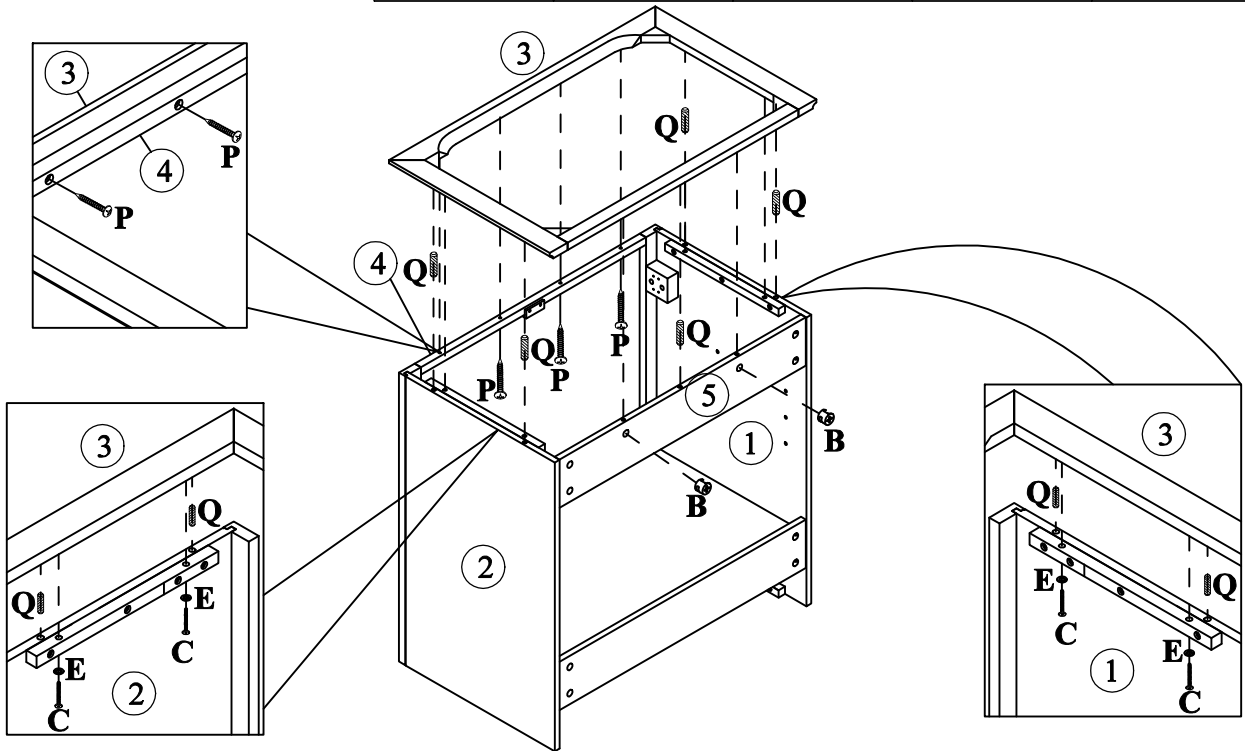
STEP: 4

B		Q	
	12PCS		10PCS

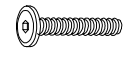



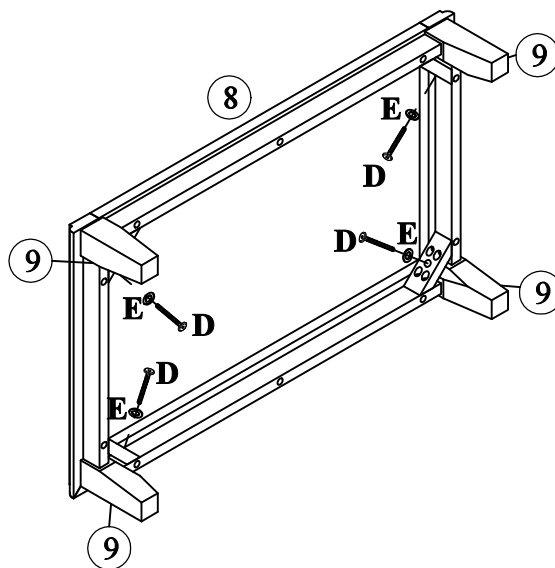
STEP: 5

B		C		E		P		Q	
	2PCS		4PCS		4PCS		4PCS		5PCS






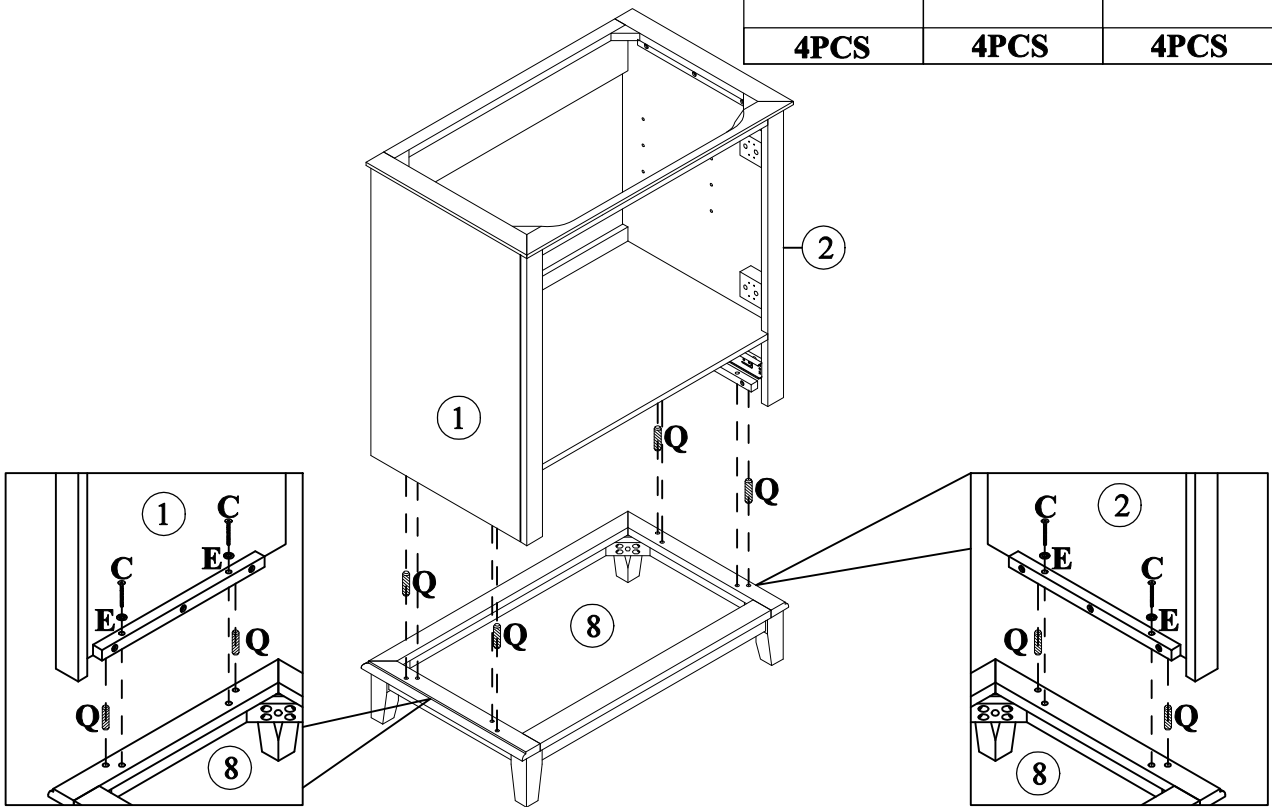
STEP: 6

D		E	
	4PCS		4PCS

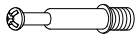


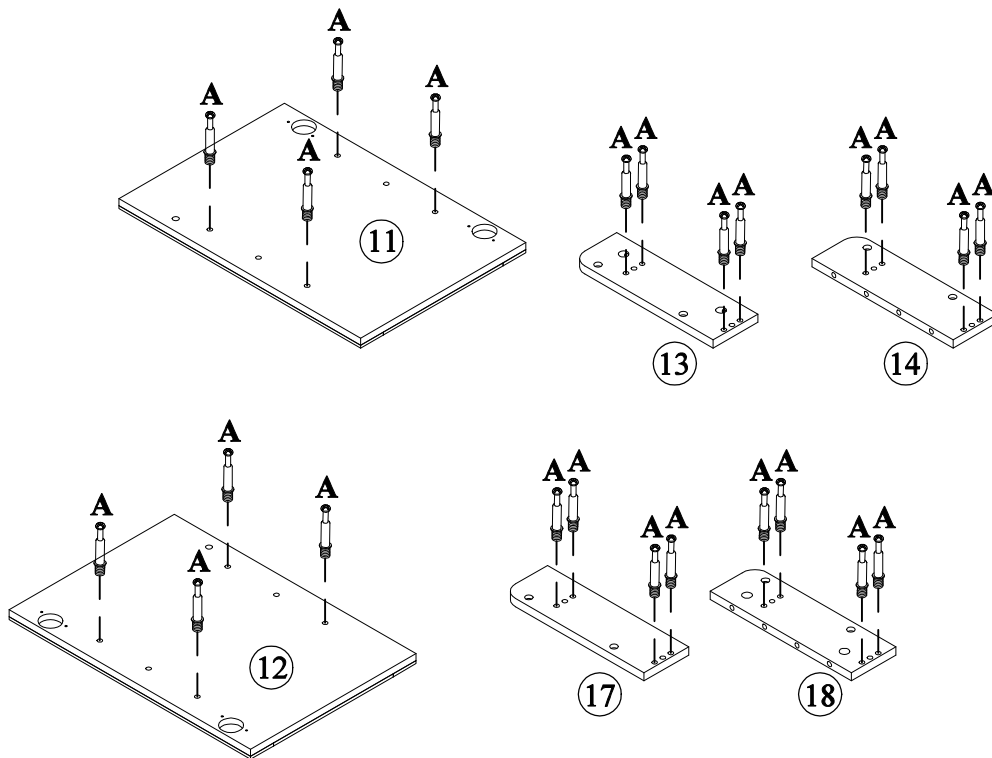
STEP: 7

C 	E 	Q 
4PCS	4PCS	4PCS


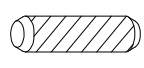

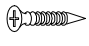


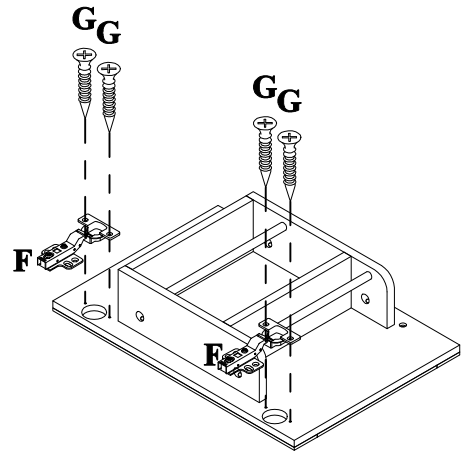
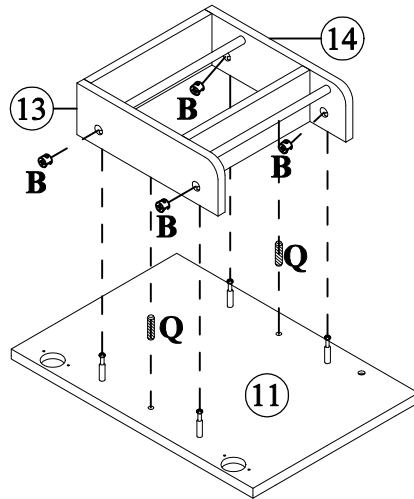
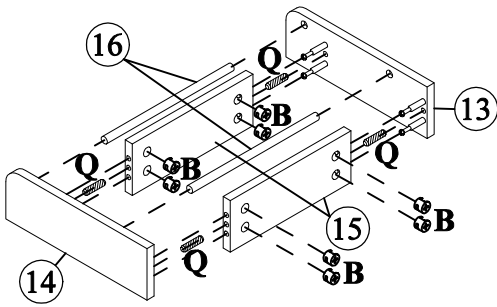
STEP: 8

A 
24PCS


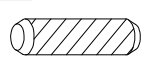

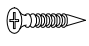


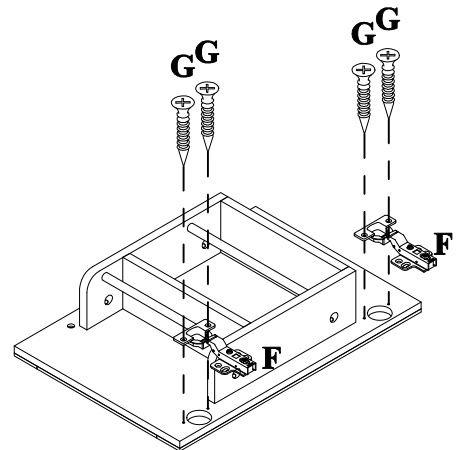
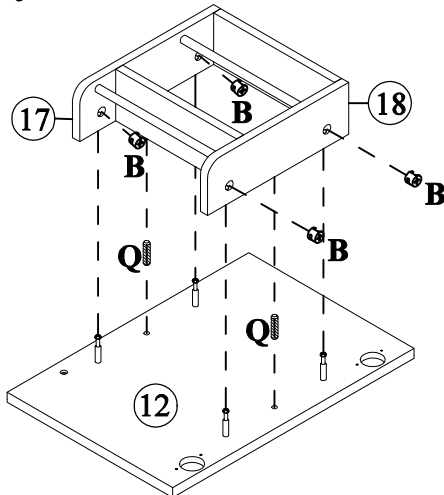
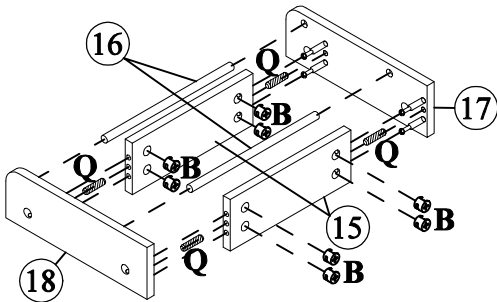
STEP: 9

B	Q	F	G
			
12PCS	6PCS	2PCS	4PCS


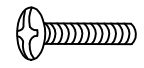



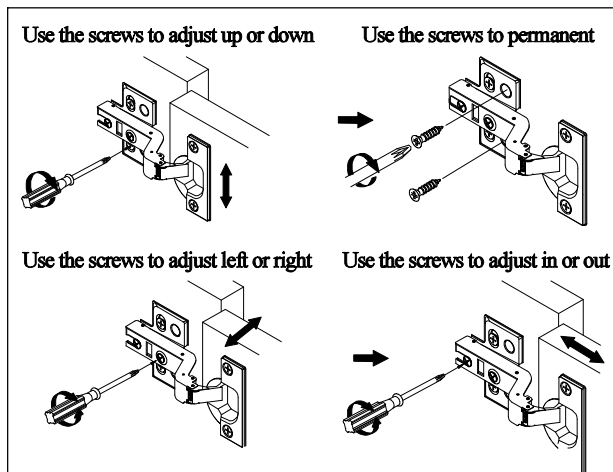
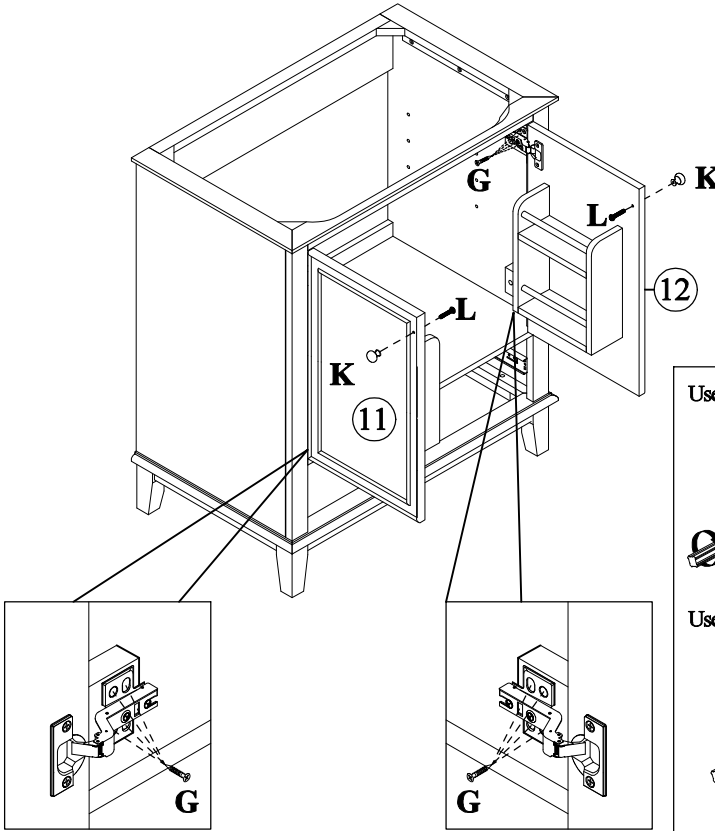
STEP: 10

B	Q	F	G
			
12PCS	6PCS	2PCS	4PCS




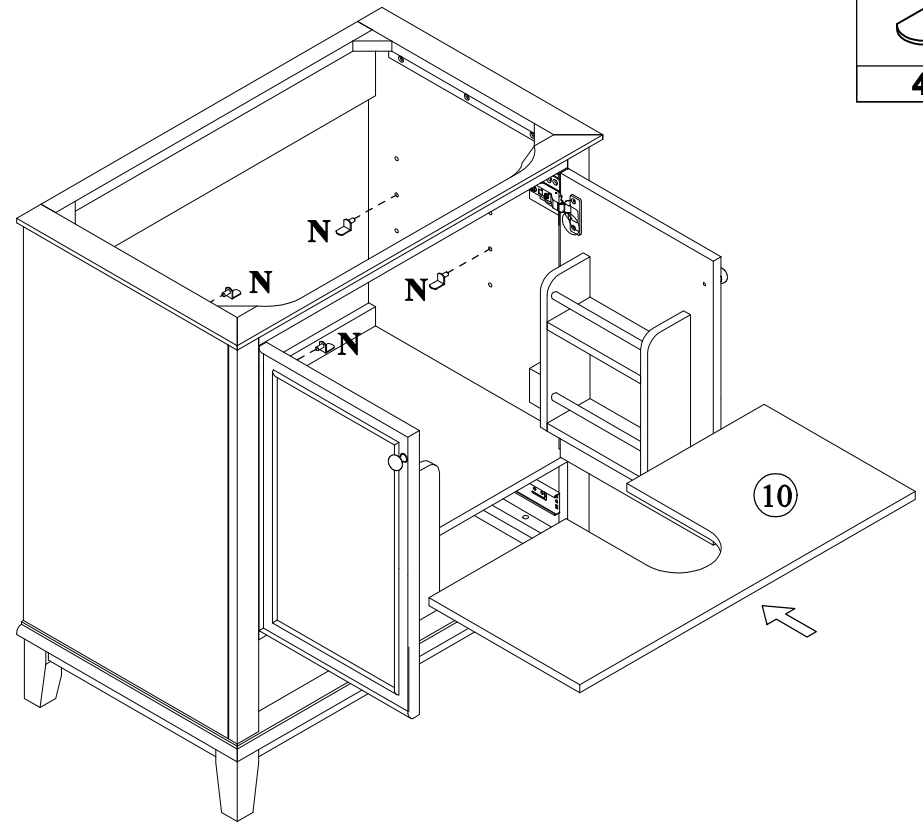
STEP: 11

K	L	G
		
2PCS	2PC	16PCS

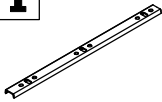
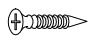


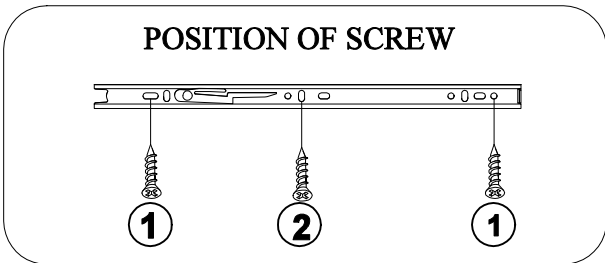
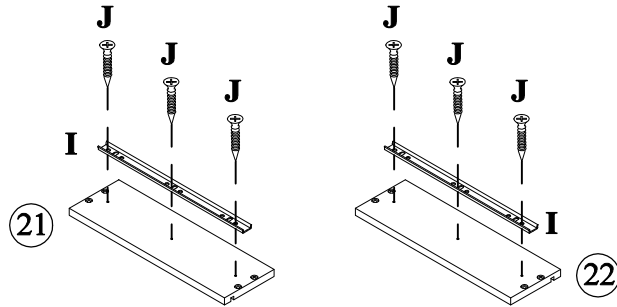
STEP: 12

N

4PCS

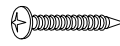


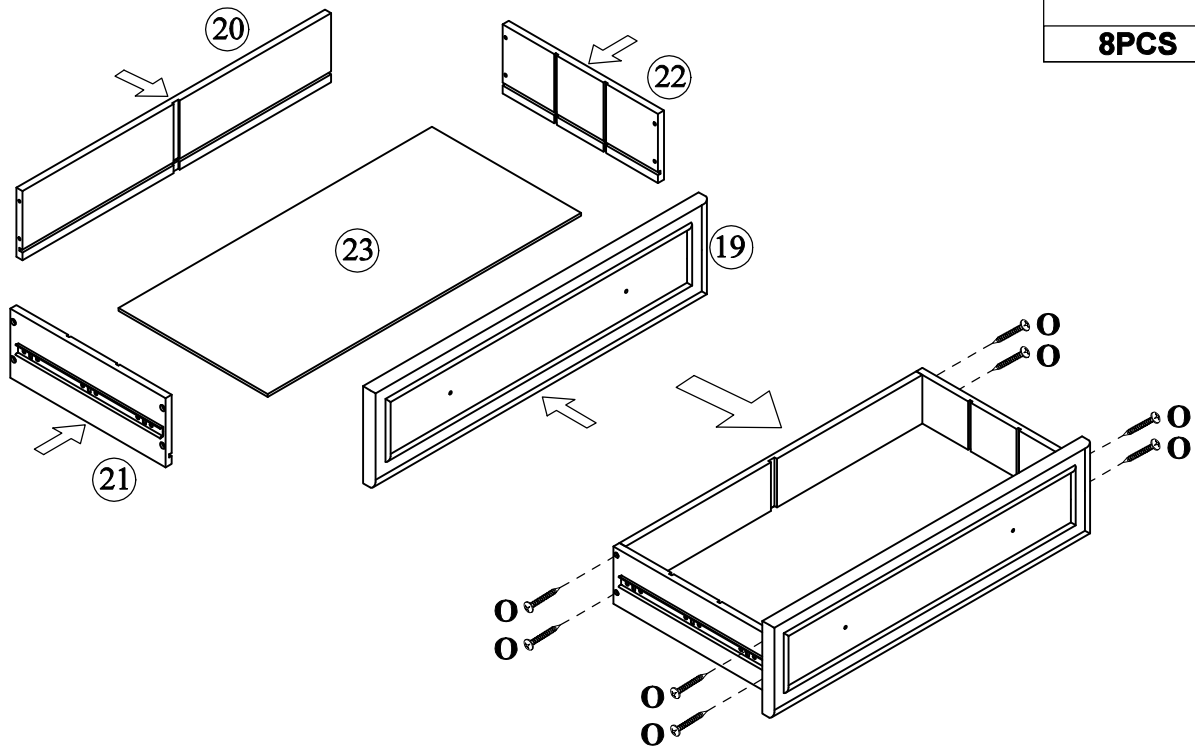
STEP: 13

I		J	
	2PCS		6PCS


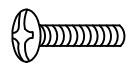


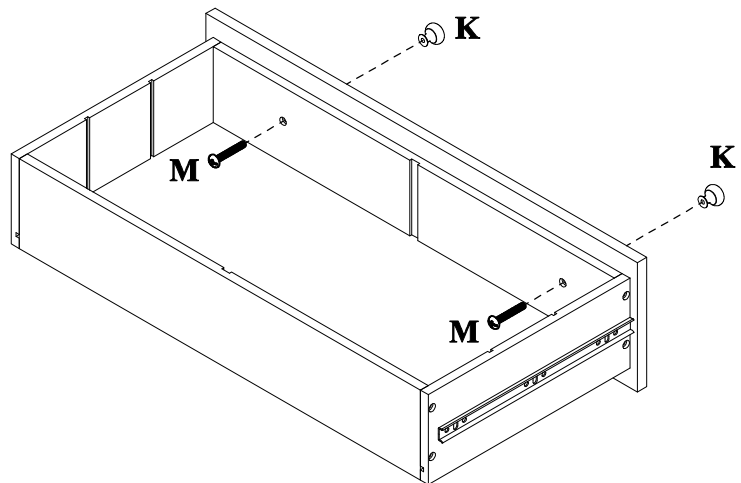
STEP: 14

O	
	8PCS

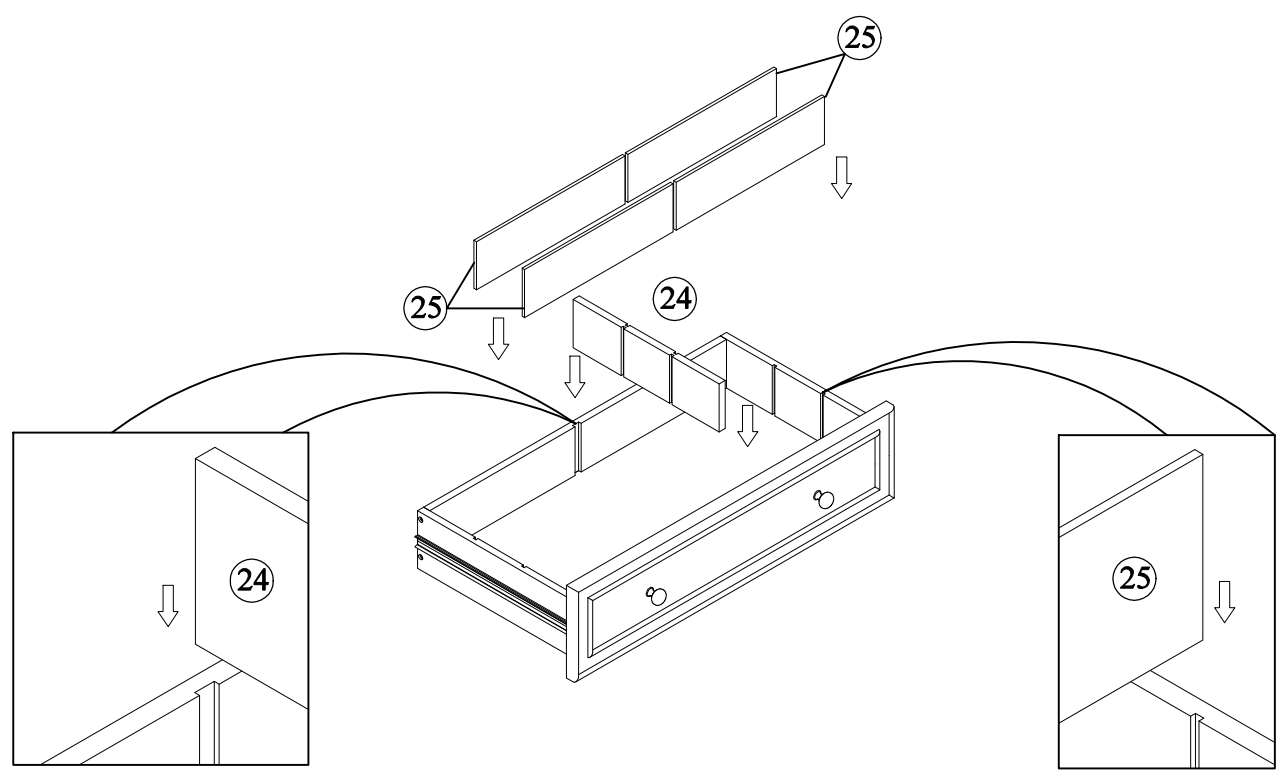


STEP: 15

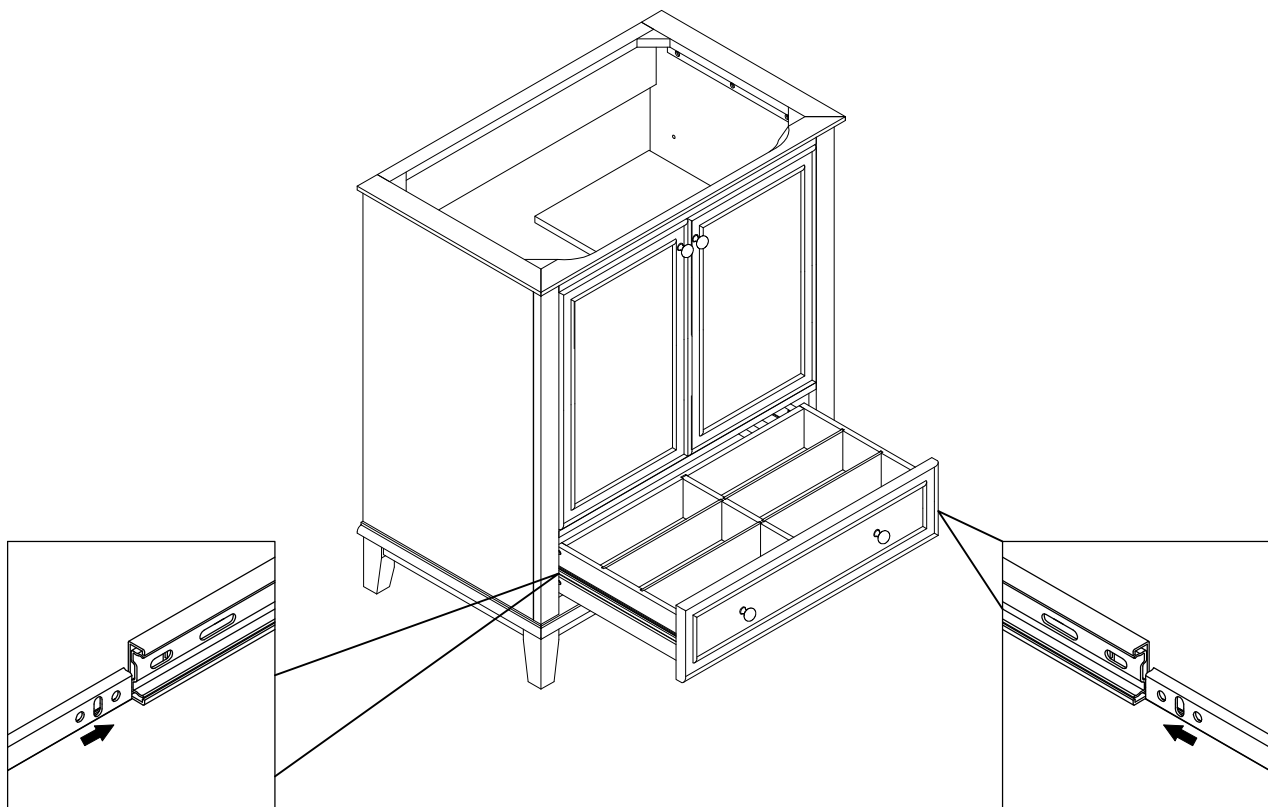
K		M	
	2PCS		2PCS



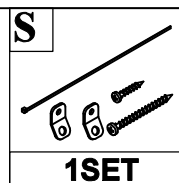
STEP: 16



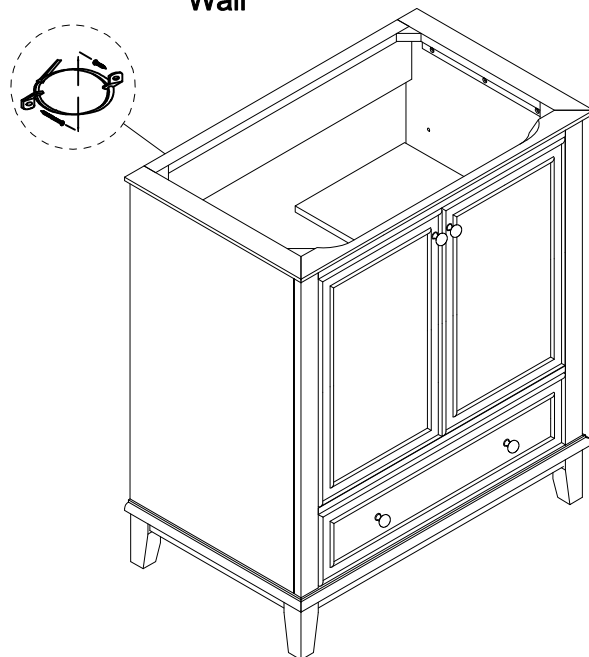
STEP: 17



STEP: 18

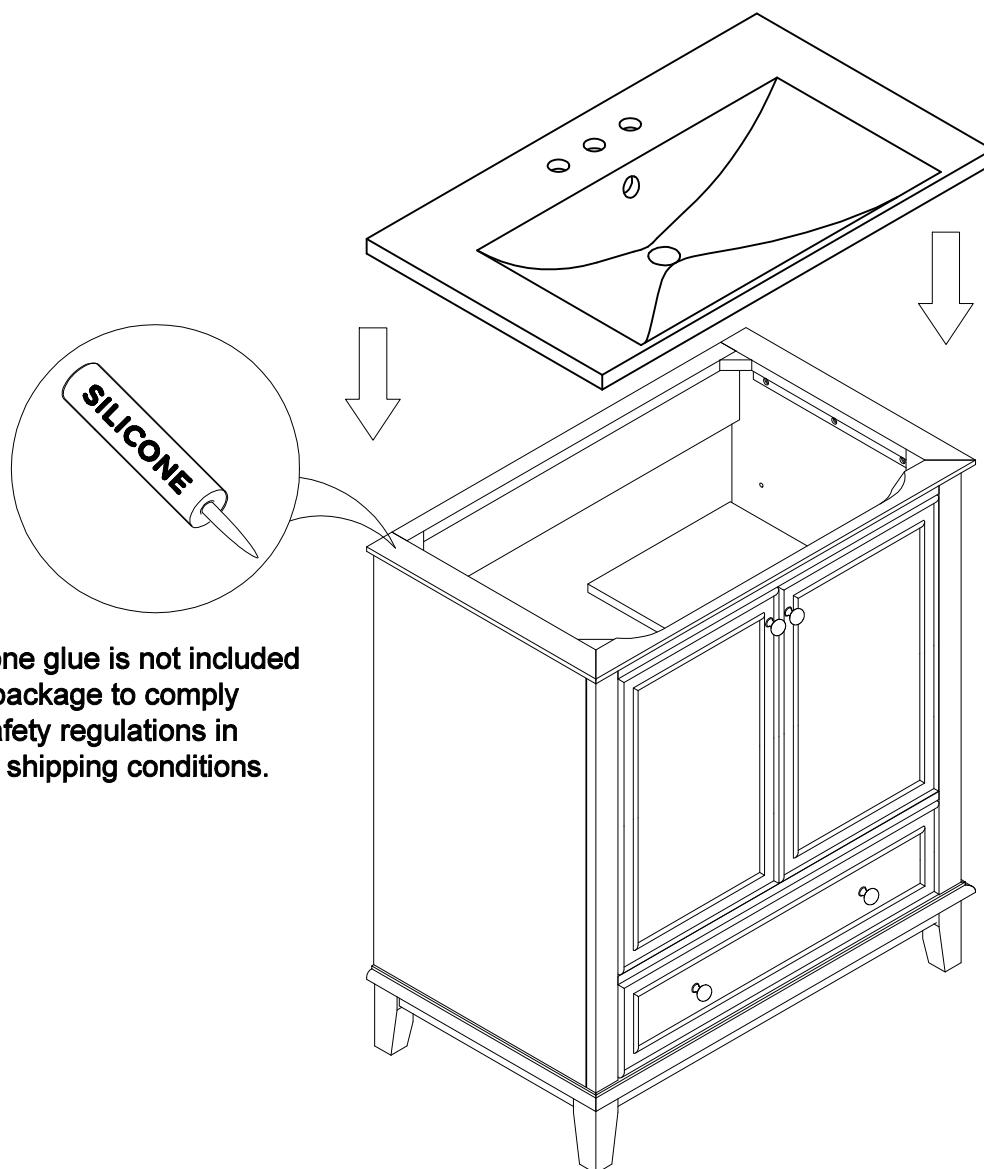


Wall



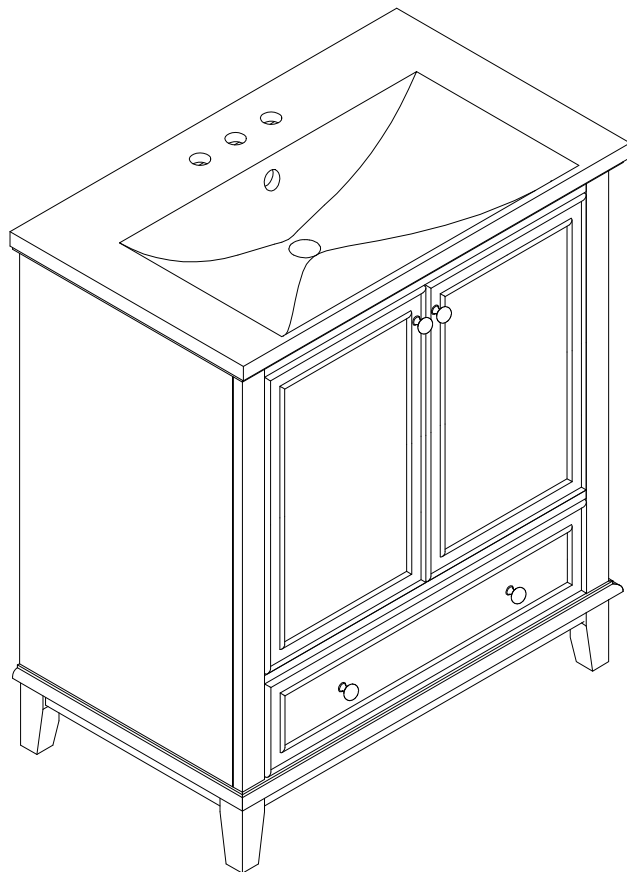
STEP: 19

**Install the sink on the cabinet with glue.
Let stand for 24 hours**

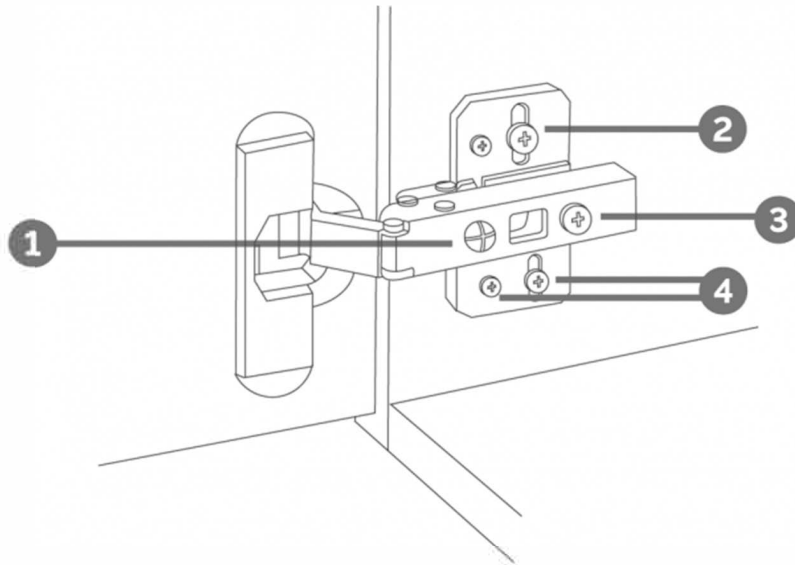


***Silicone glue is not included
in the package to comply
with safety regulations in
certain shipping conditions.**

STEP: 20

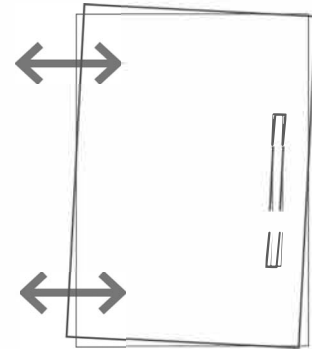


HINGE ADJUSTMENTS



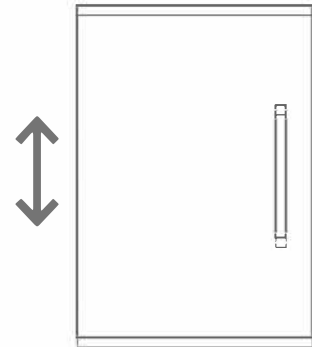
1 Sideways / Tilt adjustment

Turn the screw
clockwise to move the door further away from
the side of the cabinet
anticlockwise to move the door closer to the
side of the cabinet



2 4 Height adjustment

While supporting the weight of the door, turn the
screws
clockwise to move the door up
anticlockwise to move the door down



3 Forward and back adjustment

If the gap between the back of the door and the
cabinet is too small, and the door may not close
fully. Turn the screw
clockwise to decrease the gap between the
door and the cabinet
anticlockwise to increase the gap between the
door and the cabinet

