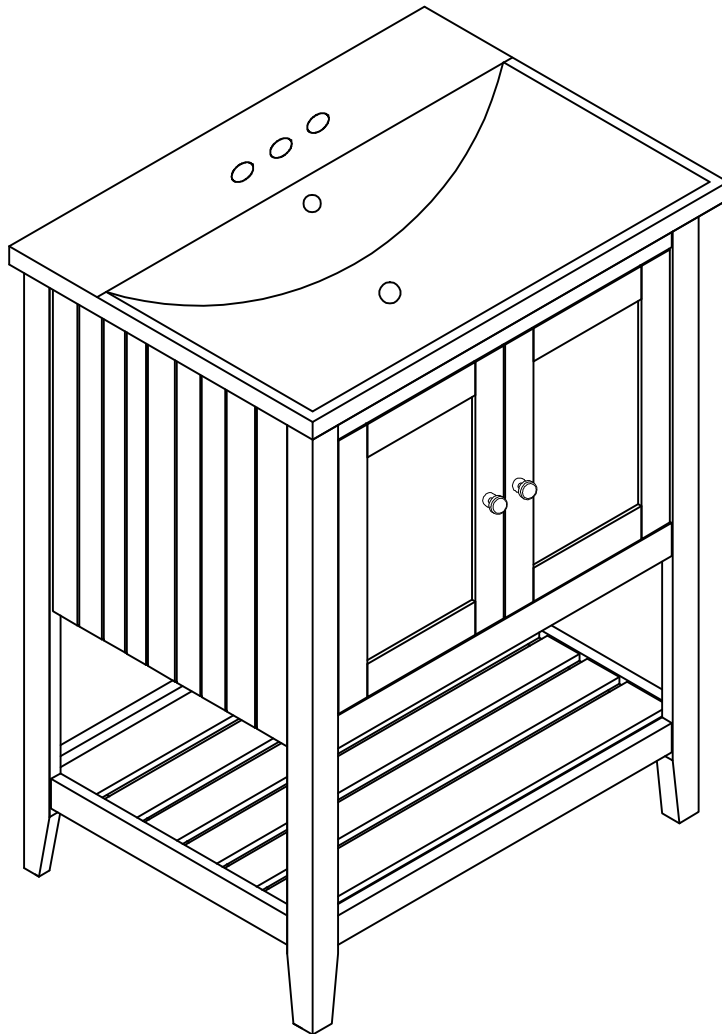
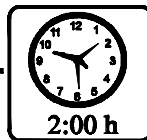
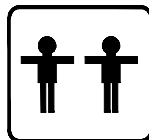
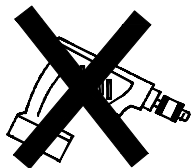


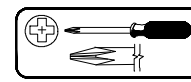
# BATHROOM VANITY



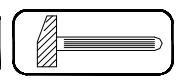
• Use of power tool to assemble this product will invalidate any claim and damage this product making unsafe !!!  
• Please assemble on a clean soft surface to avoid damage.



## Tools Required



(Not included)



(Not included)

**IMPORTANT:**

**PLEASE READ INSTRUCTION BEFORE STARTING THE ASSEMBLY**

**Thank you for buying our products.**

**Please read the installation manual carefully before installation,**

**we need you to follow the instructions on the accessories and hardware**

**step by step assembly complete, our instructions are very detailed.**

**Products are environmentally friendly products,**

**Please rest assured that you do not soak in water, do not place very heavy items,**

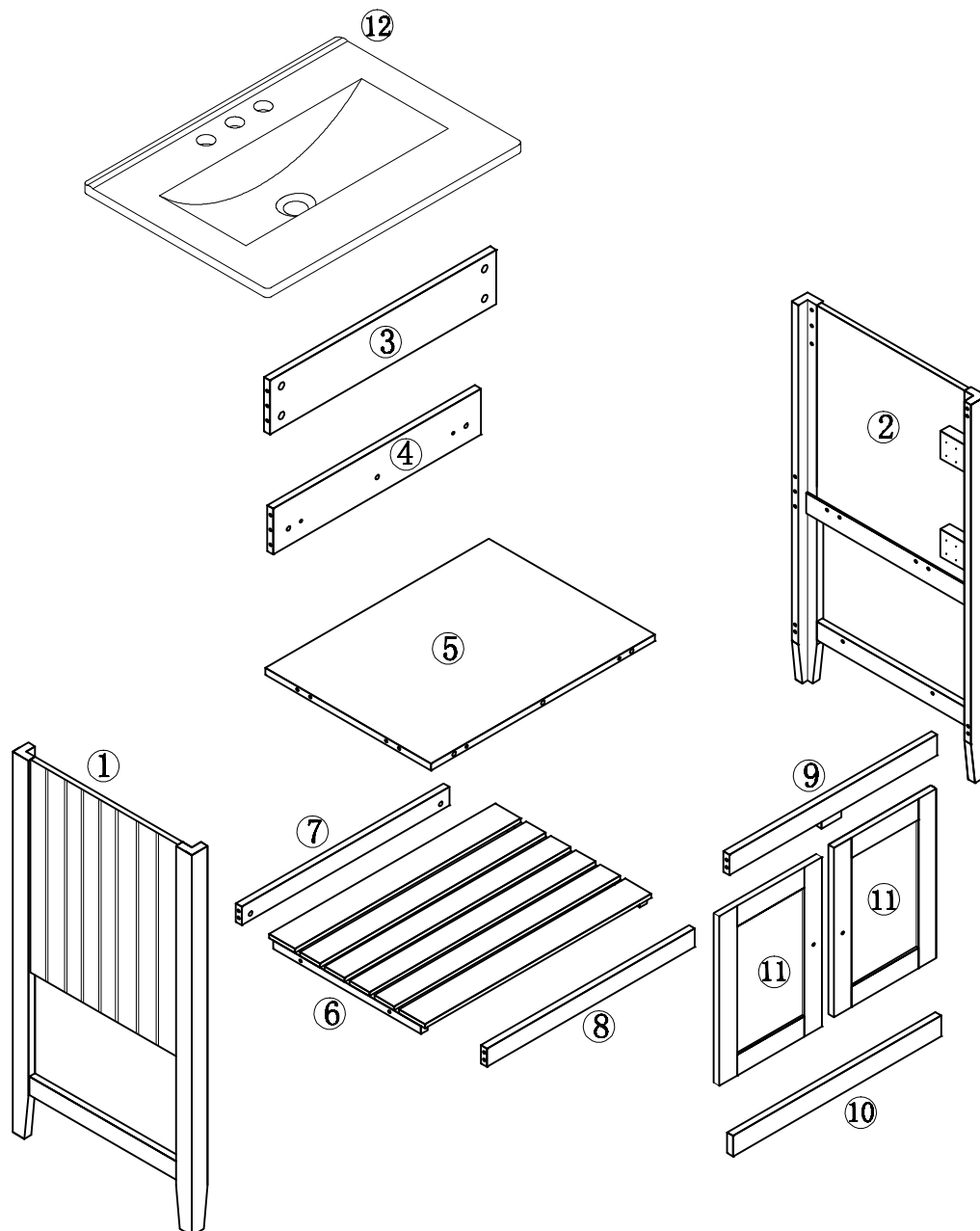
**do not malicious push and pull,**

**if you have any problems in the process of assembly and use, please contact us.**

**Thank you again for your purchase of our products,**

**I wish you a happy life.**

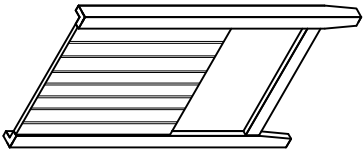
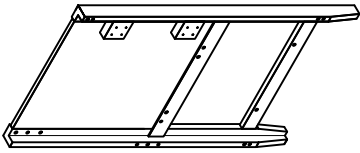
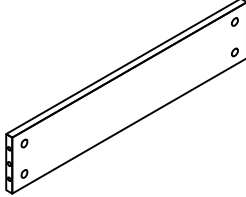
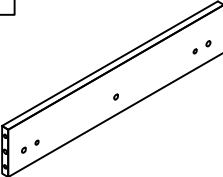
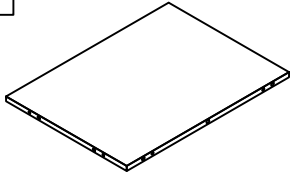
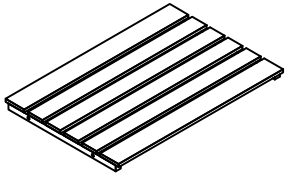
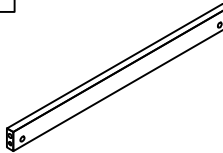
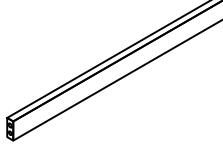
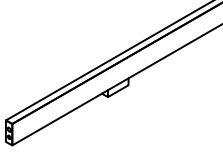
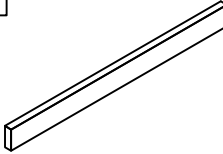
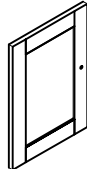
# Detail View - BATHROOM VANITY



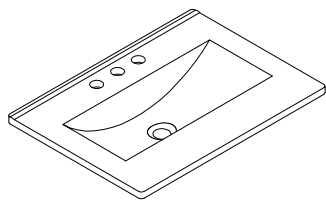
**Identifying the Hardware**-Identify the hardware using the illustrations below.

# Part List


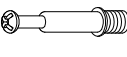

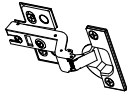


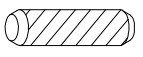
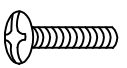
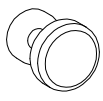
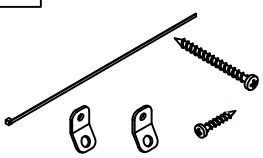
## WF287735

<p>1</p>  <p>Left side box - 1pc</p>	<p>2</p>  <p>Right side box - 1pc</p>	<p>3</p>  <p>Rear upper cross plate - 1pc</p>
<p>4</p>  <p>Rear middle cross plate - 1pc</p>	<p>5</p>  <p>Laminate - 1pc</p>	<p>6</p>  <p>Tray - 1pc</p>
<p>7</p>  <p>Rear lower cross plate - 1pc</p>	<p>8</p>  <p>Front lower cross plate - 1pc</p>	<p>9</p>  <p>Front upper cross plate - 1pc</p>
<p>10</p>  <p>Front middle cross plate - 1pc</p>	<p>11</p>  <p>cabinet door - 2pc</p>	

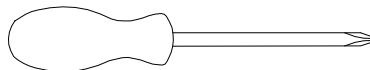
## WF287736

<p>12</p>  <p>Wash basin - 1pc</p>
---

# Hardware List—WF287735

<b>A</b>  <b>ø12x1/4"x28mm</b> Hex-Head bolts(4pcs)	<b>B</b>  <b>ø6x35mm</b> Three in one bolts(24pcs)	<b>C</b>  <b>ø14.5x12mm</b> Three in one lock(24pcs)
<b>D</b>  <b>Damping hinge(4pcs)</b>	<b>E</b>  <b>ø7xø3.5x12mm</b> Flat head screw(24pcs)	<b>F</b>  <b>4mm</b> Allen key(1pcs)
<b>G</b>  <b>ø8x30mm</b> Wood dowel(18pcs)	<b>H</b>  <b>ø5/32"x20mm</b> Handle screw(2pcs)	<b>J</b>  <b>ø10xø30mm</b> handle(2pcs)
<b>K</b>  <b>Anti fall hardware(1set)</b>		

**ASSEMBLY TOOLS REQUIRED ( NOT INCLUDED )**

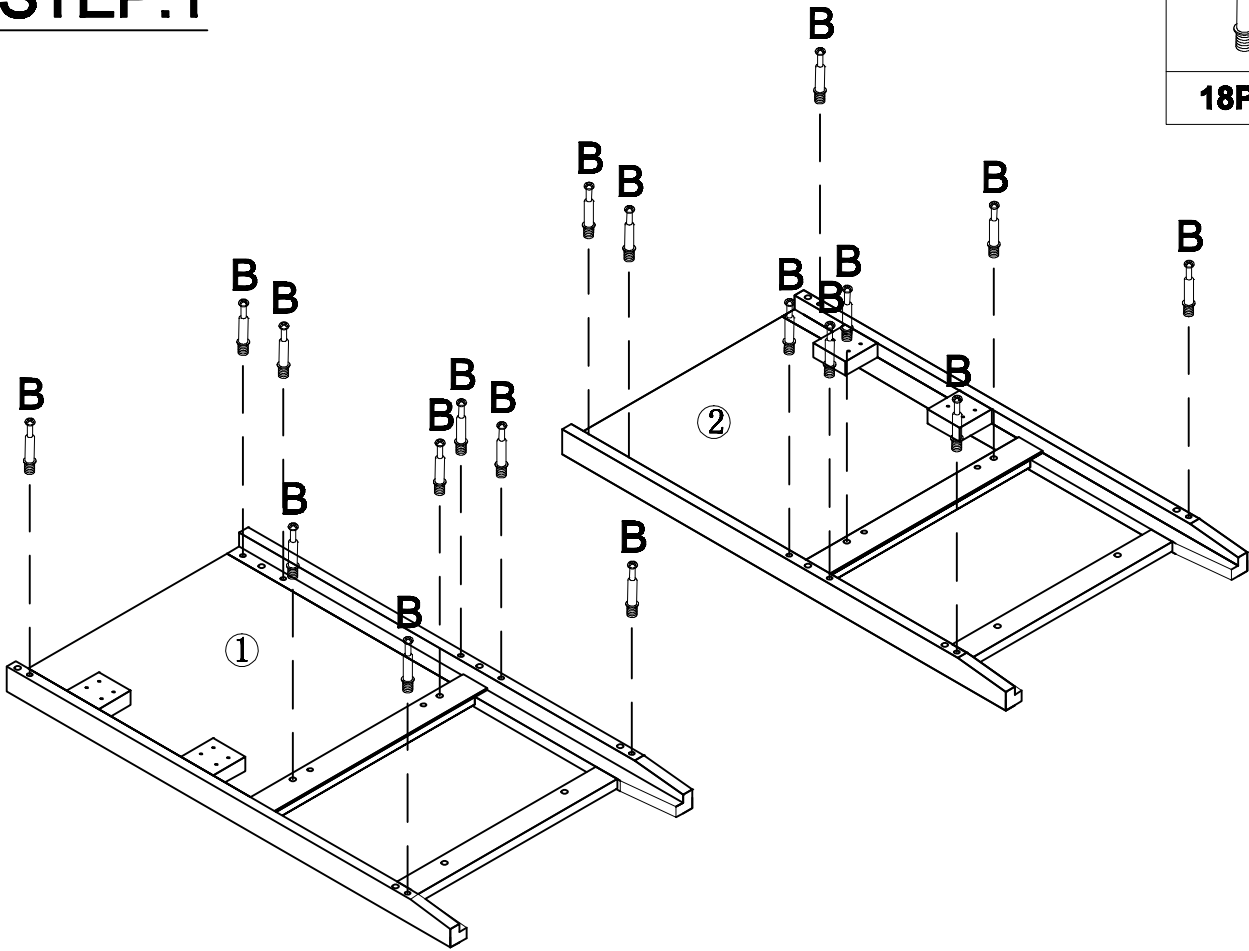


# STEP:1

**B**

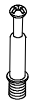


**18PCS**

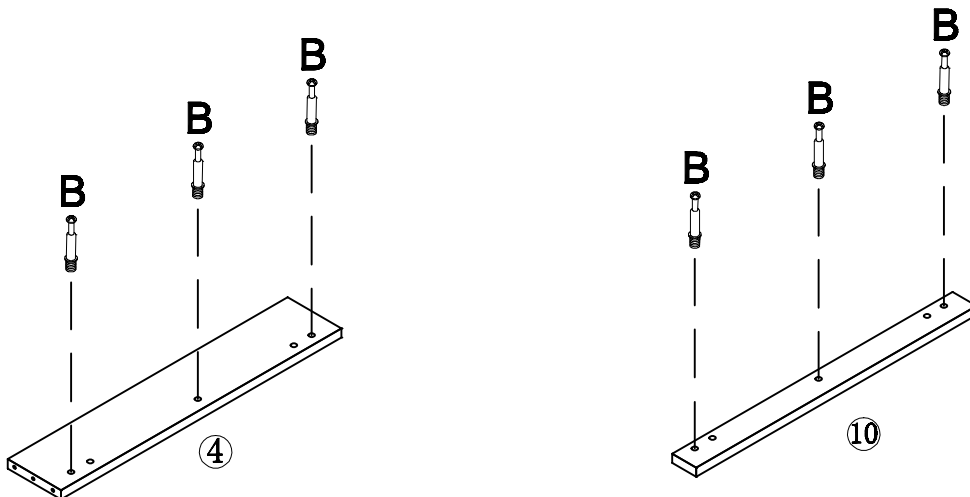


# STEP:2



**B**

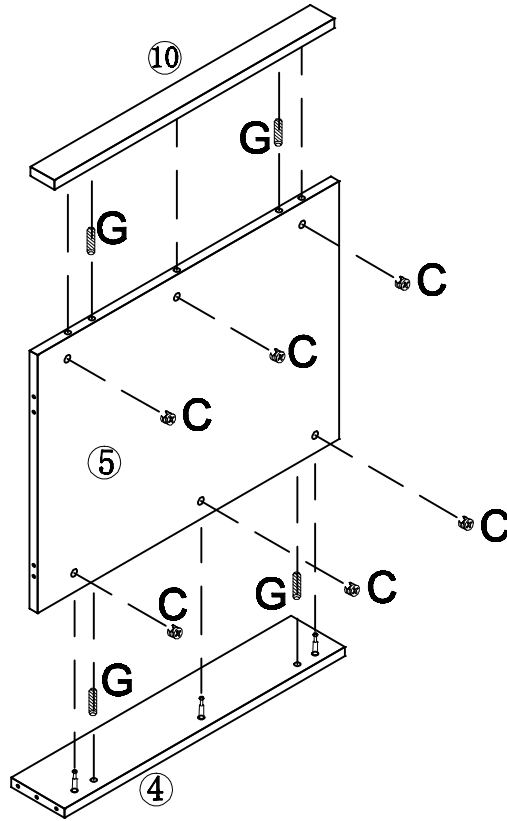


**6PCS**






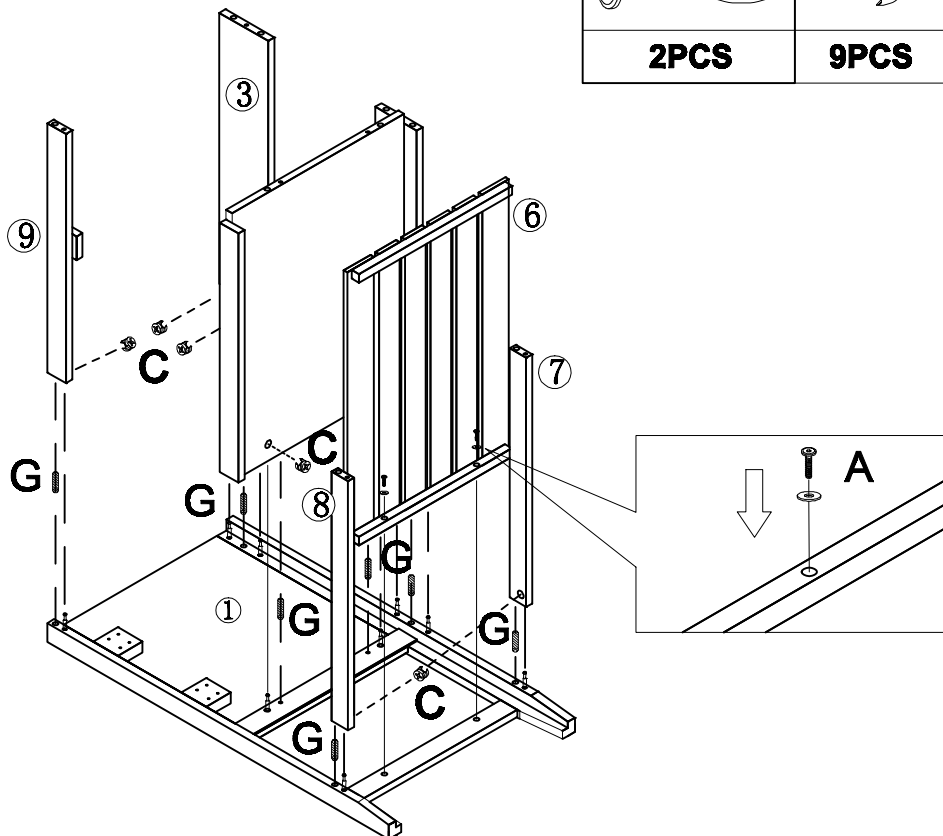
# STEP:3

<b>C</b>		<b>G</b>	
<b>6PCS</b>		<b>4PCS</b>	






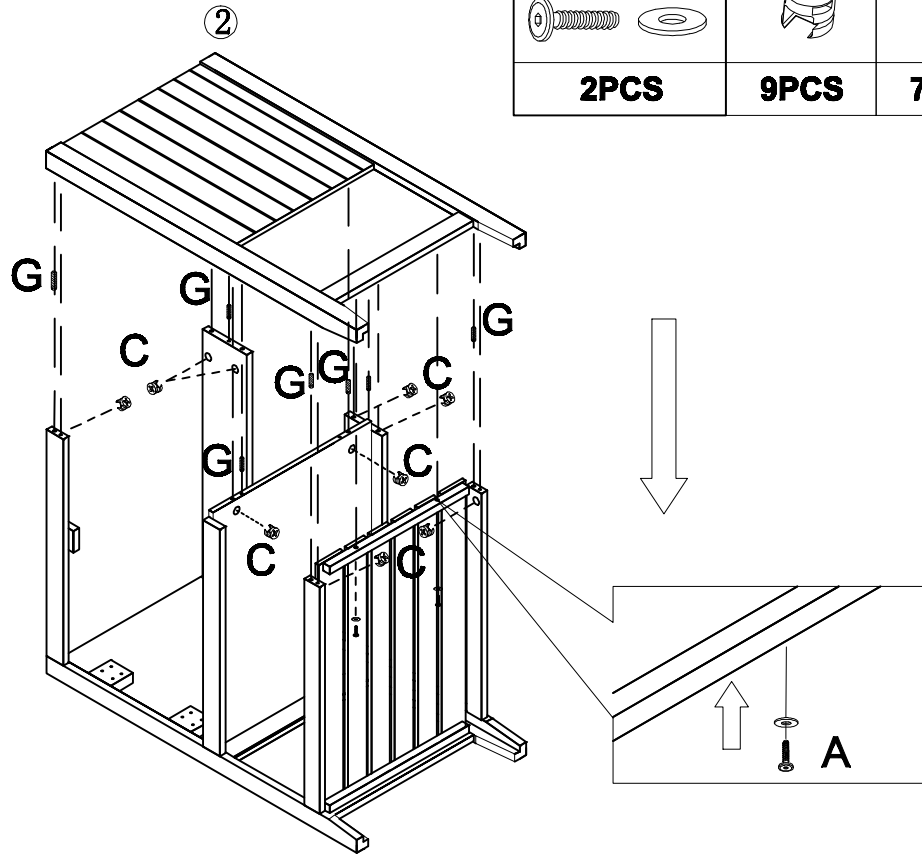
# STEP:4

<b>A</b>		<b>C</b>		<b>G</b>	
<b>2PCS</b>		<b>9PCS</b>		<b>7PCS</b>	


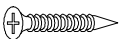


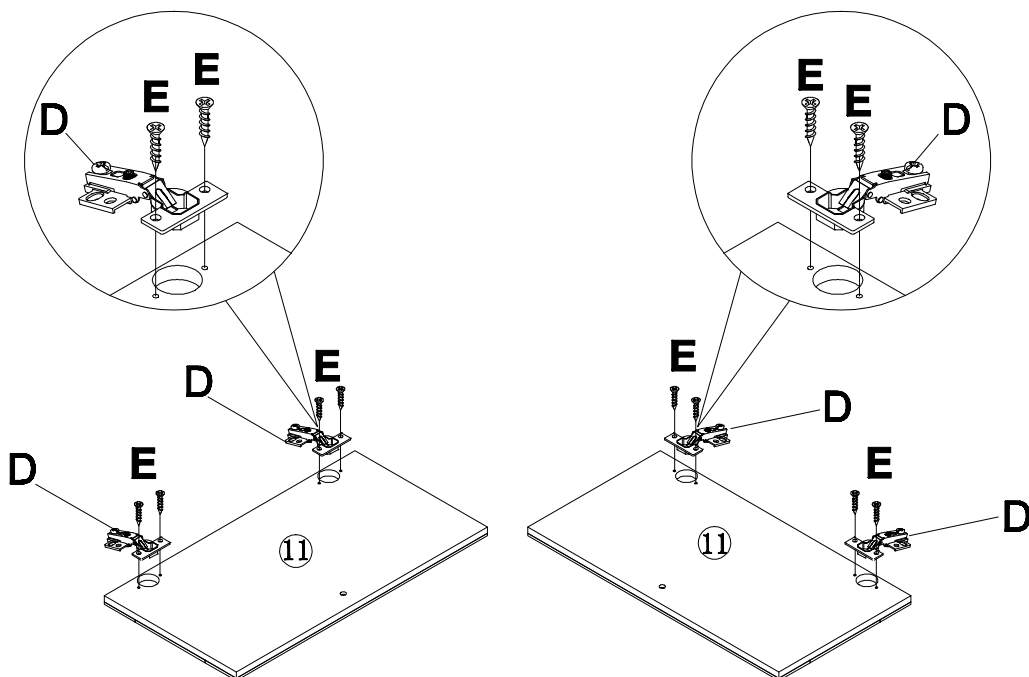
# STEP:5

<b>A</b>		<b>C</b>		<b>G</b>	
<b>2PCS</b>		<b>9PCS</b>		<b>7PCS</b>	




# STEP:6

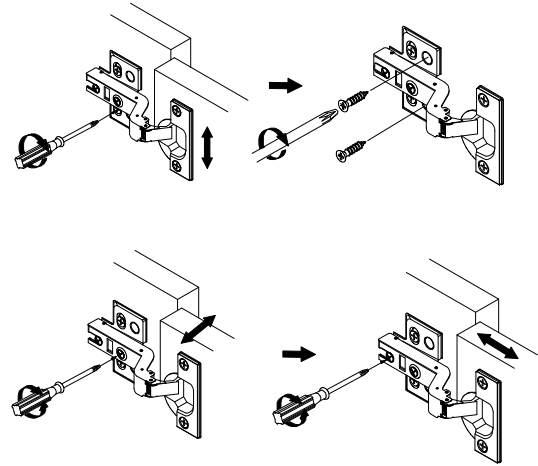
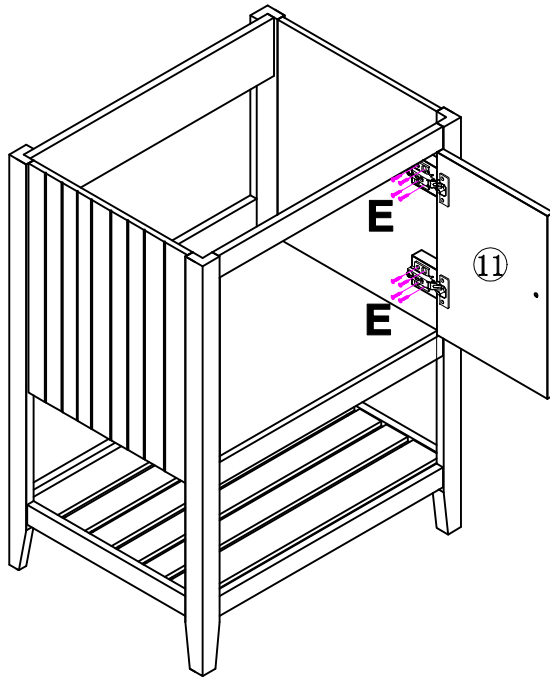
<b>D</b>		<b>E</b>	
<b>4PCS</b>		<b>8PCS</b>	



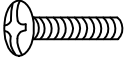

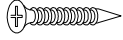


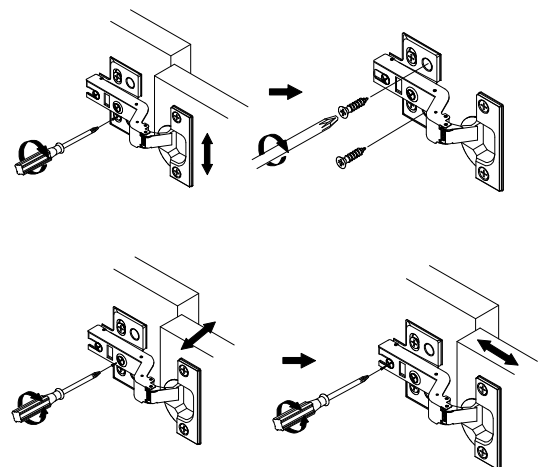
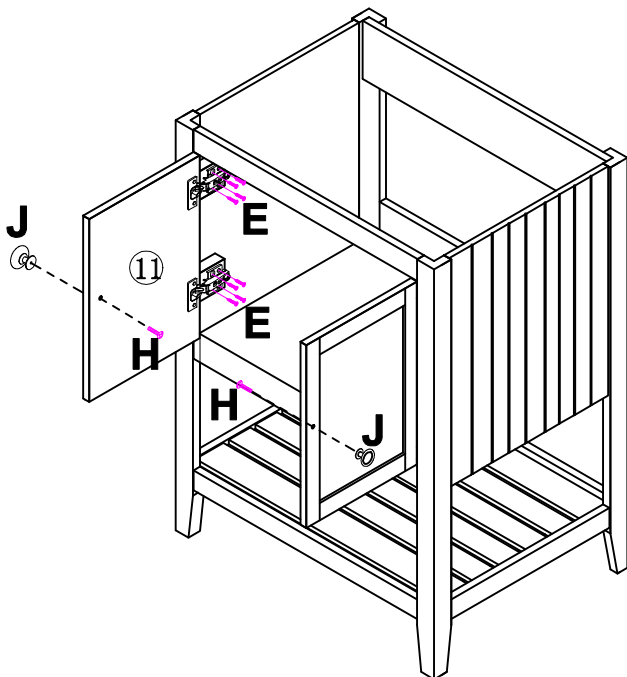
# STEP:7

<b>E</b>

<b>8PCS</b>

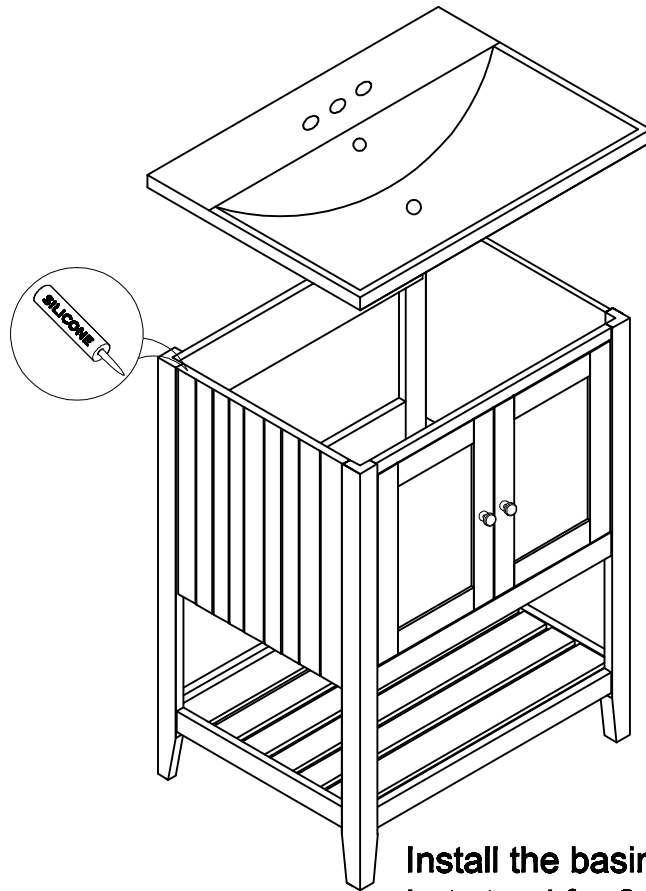


# STEP:8

<b>H</b>	<b>J</b>	<b>E</b>
		
<b>2PCS</b>	<b>2PCS</b>	<b>8PCS</b>



## STEP:9



Install the basin on the cabinet with glue.  
Let stand for 24 hours

## STEP:10

