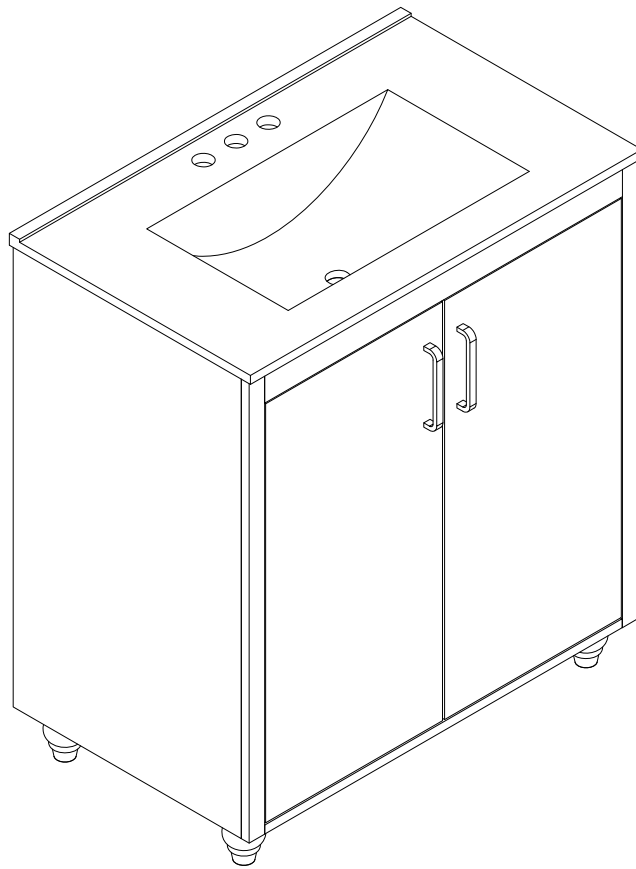
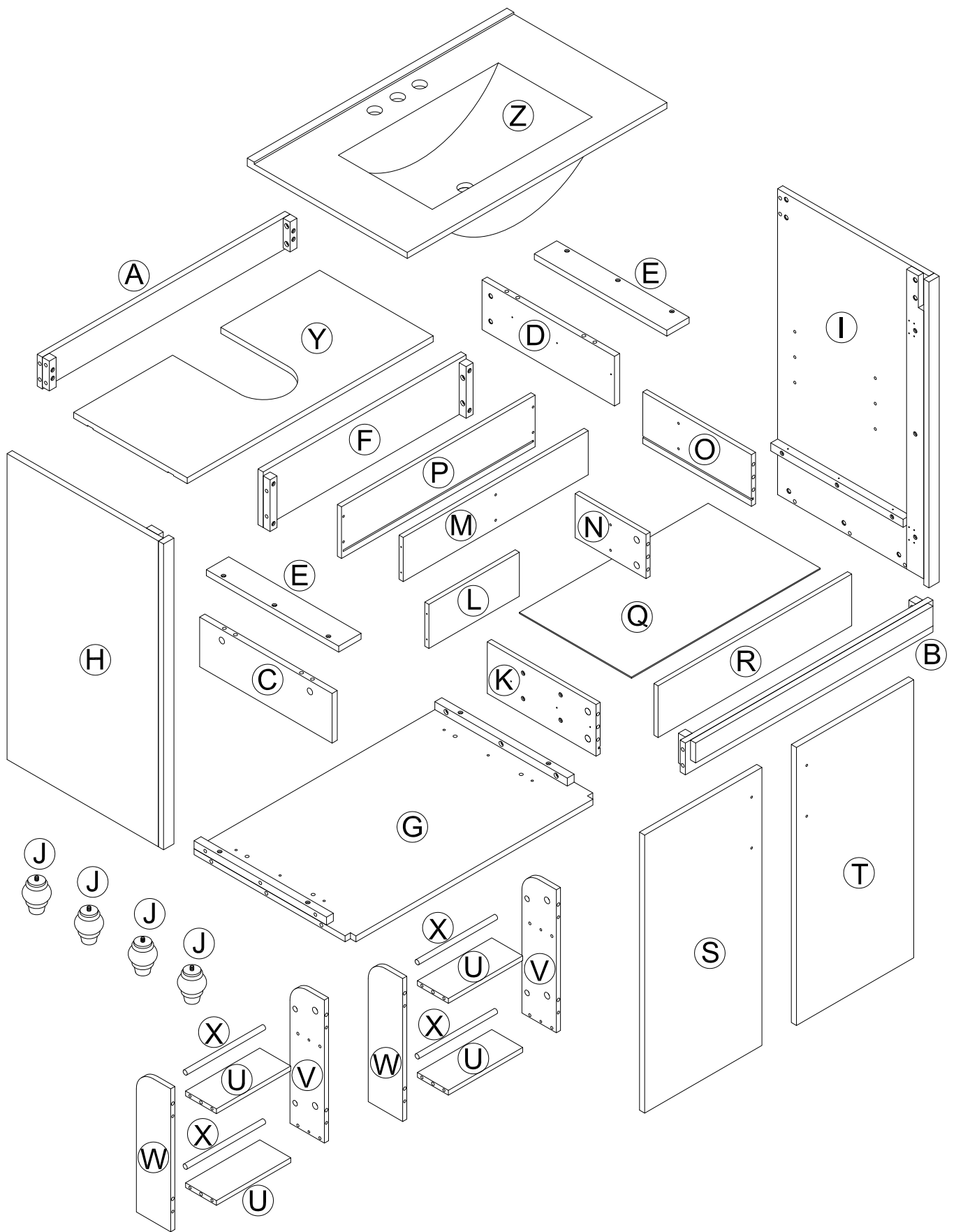
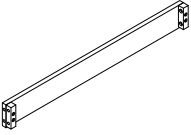
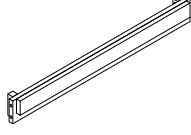
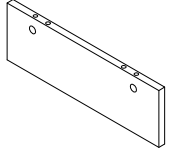
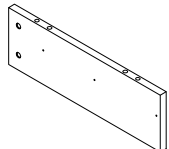
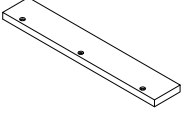
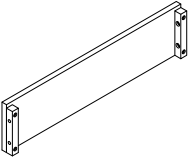
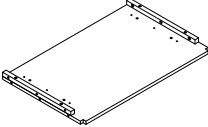
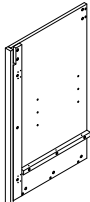
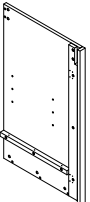
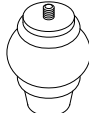
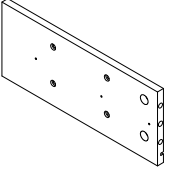
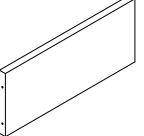
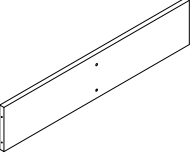
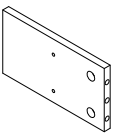
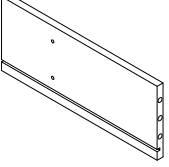
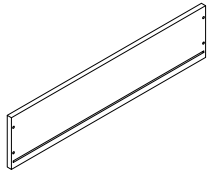
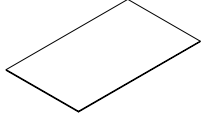
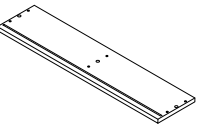

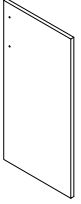
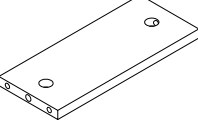
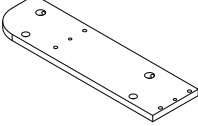
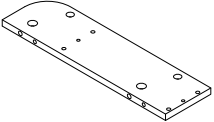
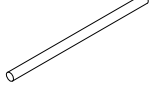
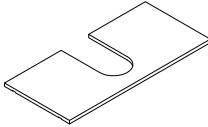
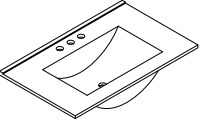


WF319484AAG

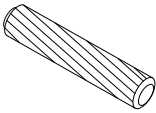
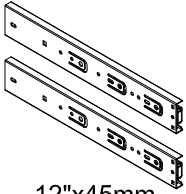

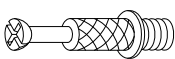
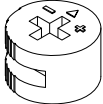
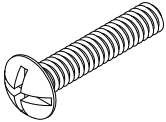
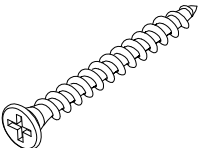
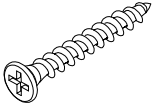
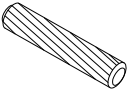
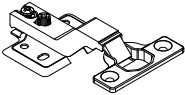


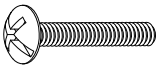
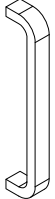




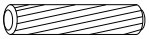
PRODUCT PARTS:

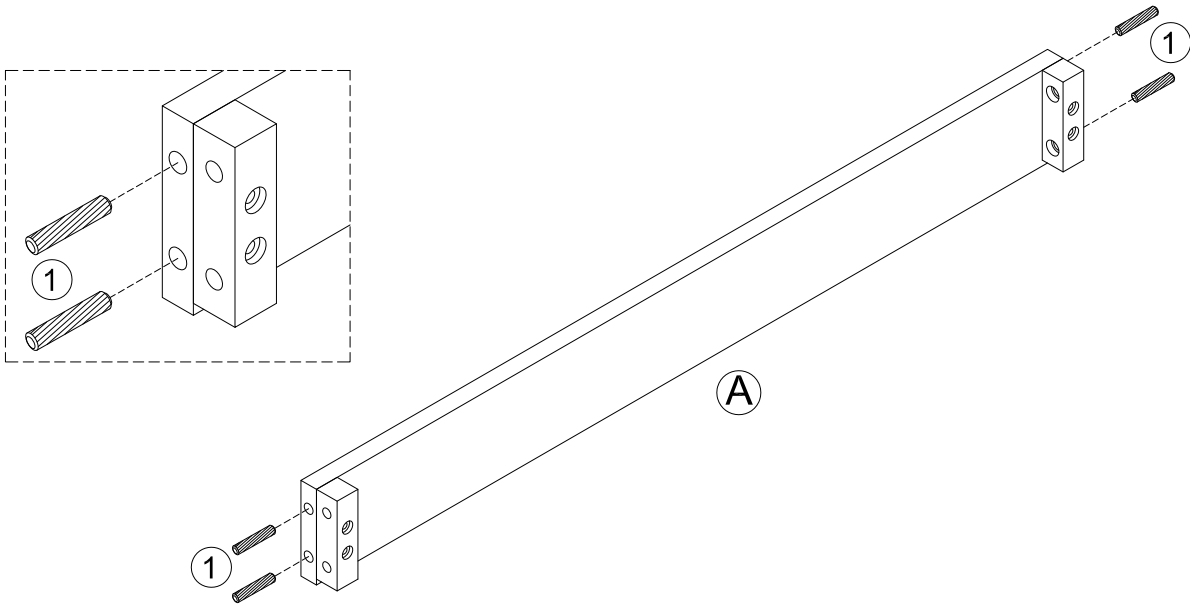
A	B	C	D	E	F
					
1PC	1PC	1PC	1PC	2PCS	1PC
G	H	I	J	K	L
					
1PC	1PC	1PC	4PCS	1PC	1PC
M	N	O	P	Q	R
					
1PC	1PC	1PC	1PC	1PC	1PC
S	T	U	V	W	X
					
1PC	1PC	4PCS	2PCS	2PCS	4PCS
Y	Z				
					
1PC	1PC				

HARDWARE:

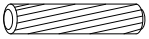
①	②	③	④	⑤	⑥
					
Ø8x30mm	12"x45mm	Ø3x10mm	Ø6x33mm	Ø15x9mm	1/4"x25mm
22+2 PCS	1SET	12+2 PCS	26+2 PCS	26+2 PCS	18+2 PCS
⑦	⑧	⑨	⑩	⑪	⑫
					
Ø4x35mm	Ø4x25mm	Ø6x30mm	4PCS	Ø4x12mm	4PCS
6PCS	20+2PCS	27+2PCS	4PCS	24+2PCS	4PCS
⑬	⑭				
					
5/32"x18mm	2PCS				
4PCS	2PCS				

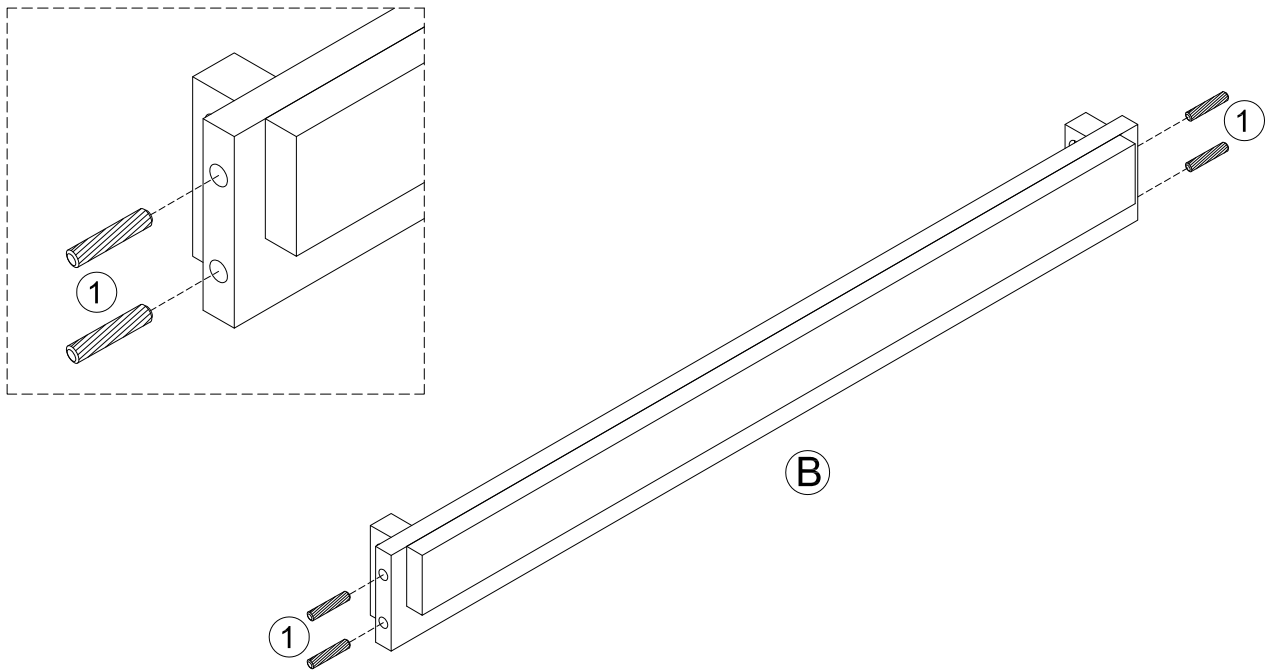
STEP 1

①  4pcs
Ø8x30mm

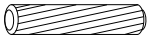


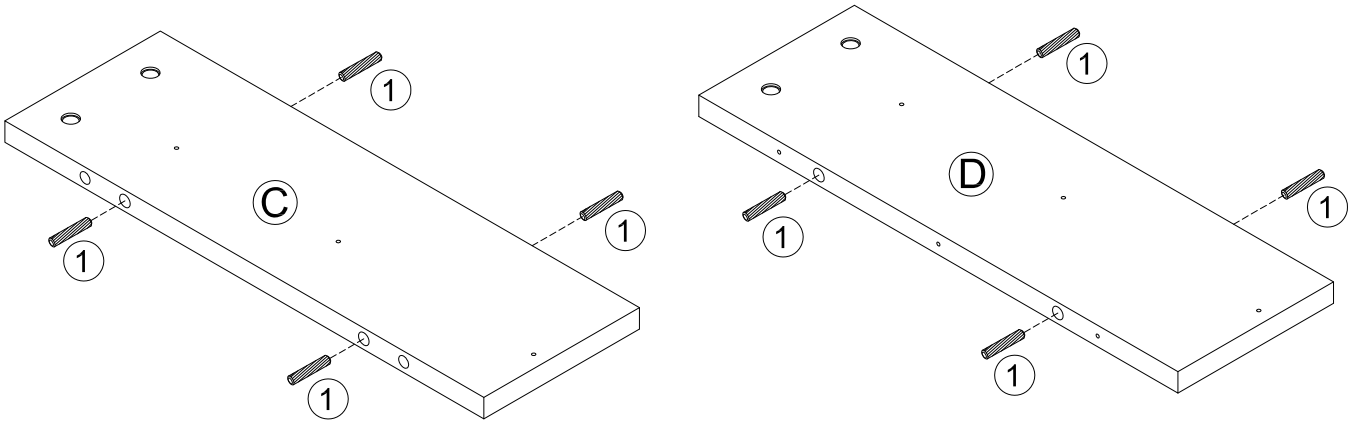
STEP 2

①  4pcs
Ø8x30mm




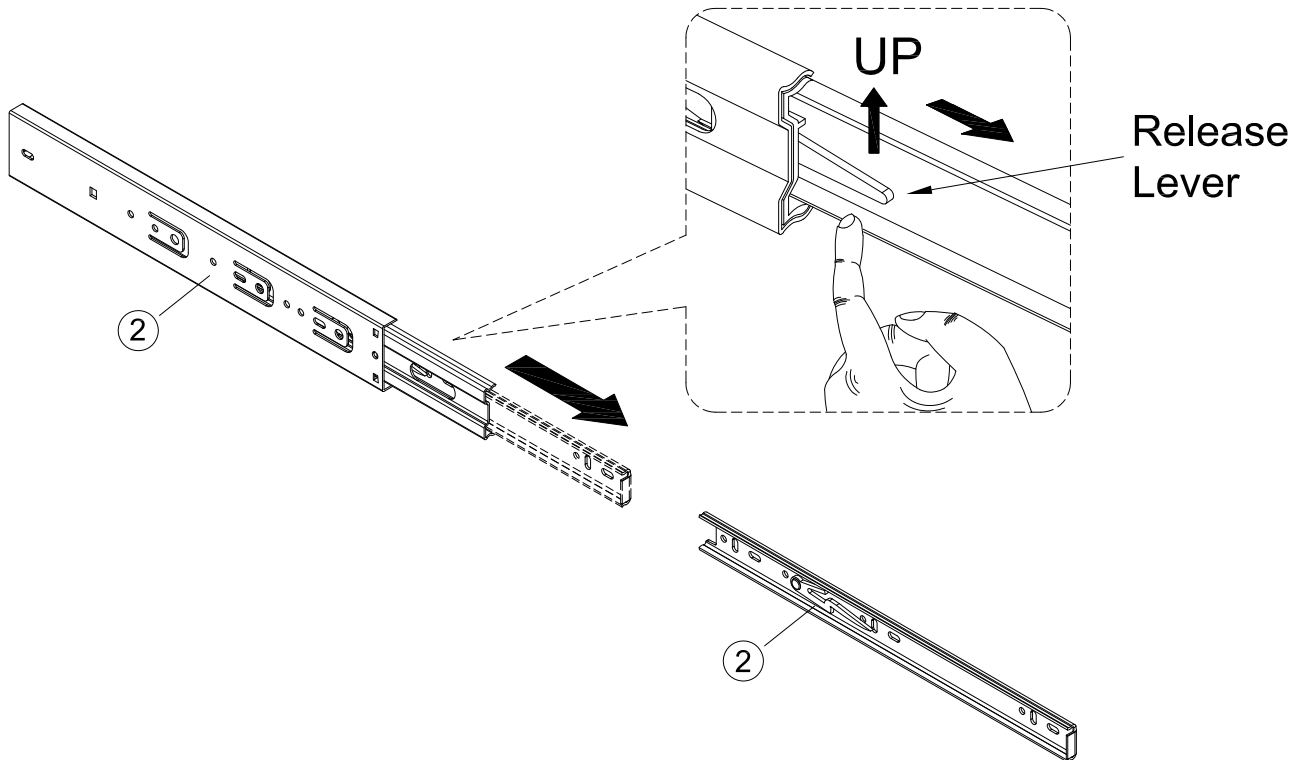
STEP 3

- ①  8pcs
Ø8x30mm



STEP 4

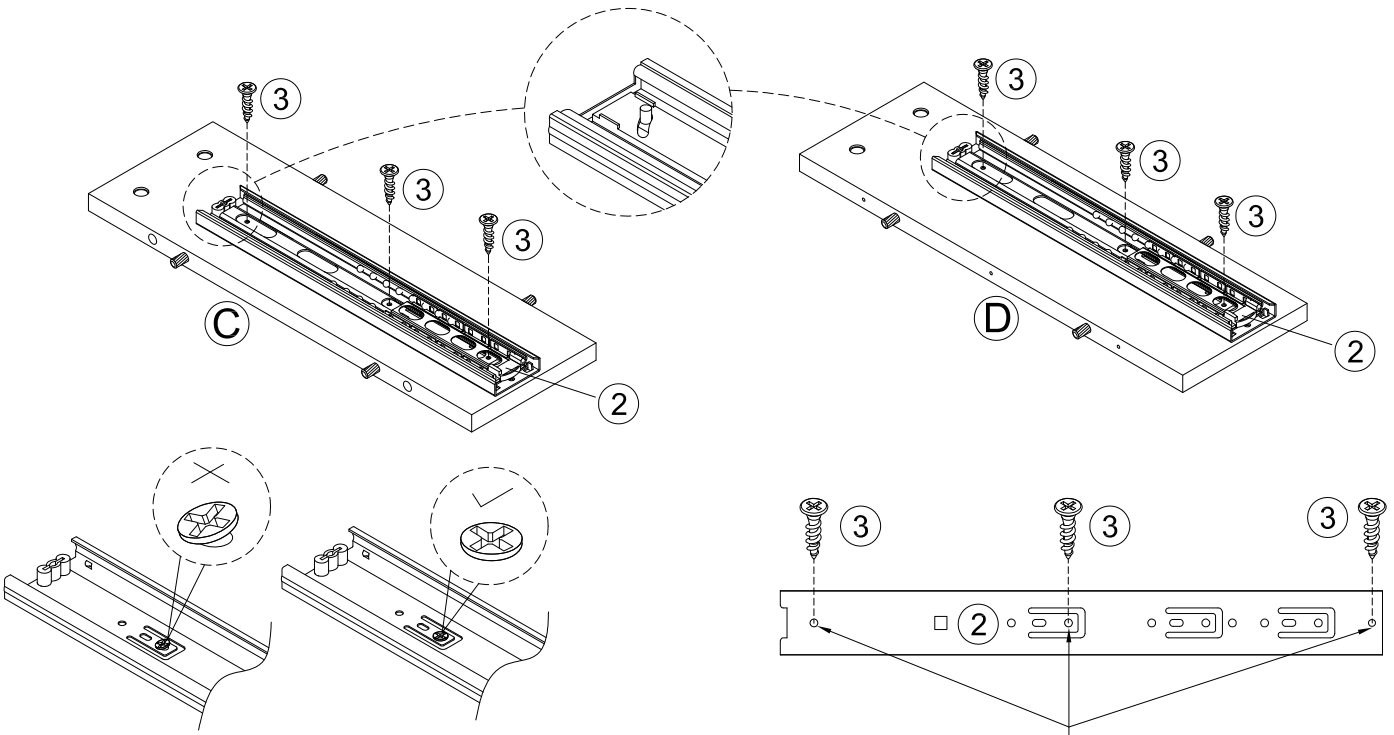
- ②  1SET
12"x45mm



STEP 5


③  6pcs
Ø3x10mm

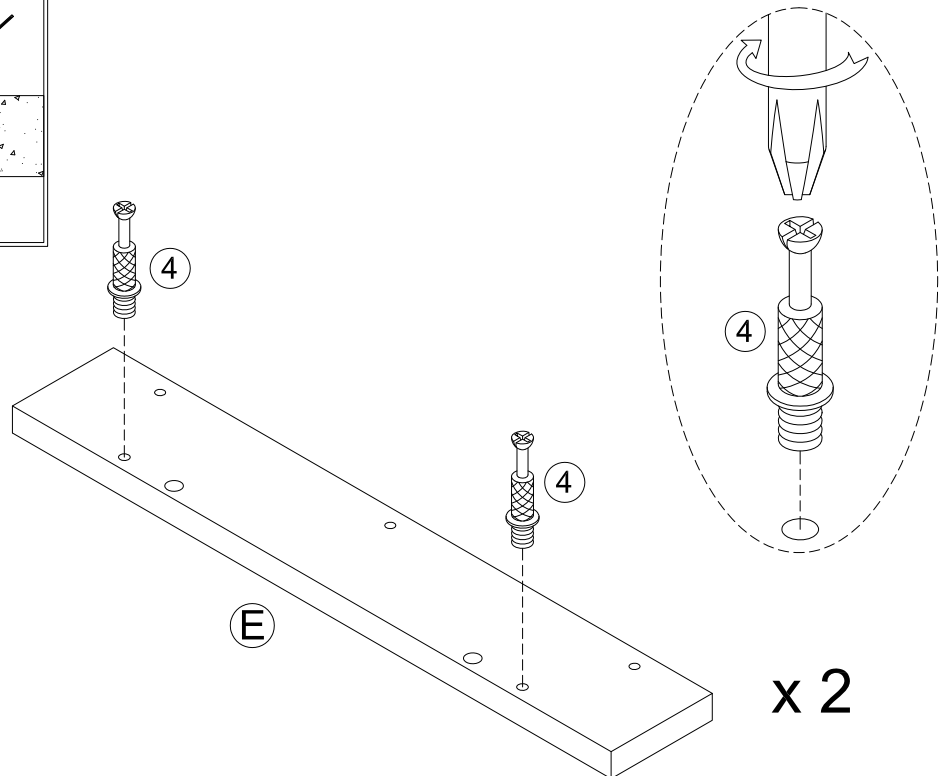
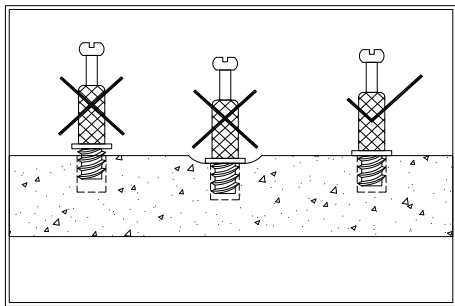
②  1SET
12"x45mm



Please make sure that the screw is VERTICAL so as not to affect the sliding of the drawer.

STEP 6

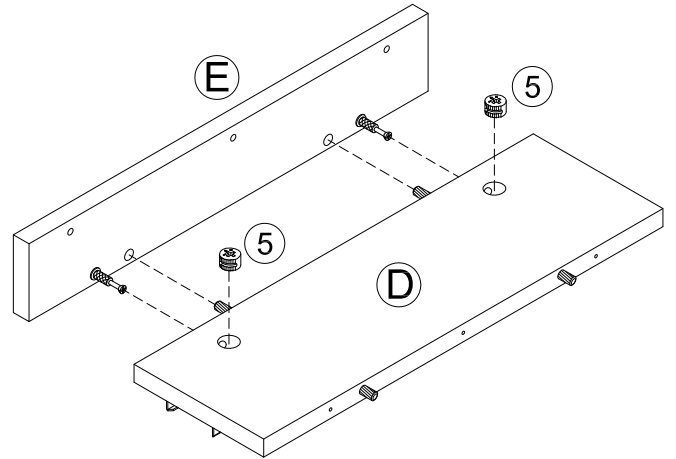
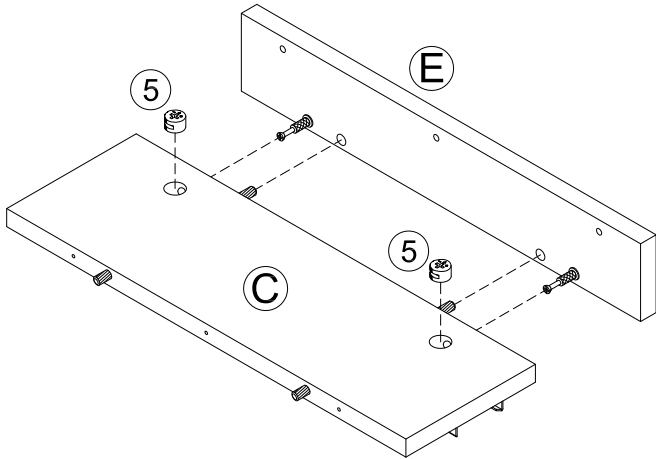
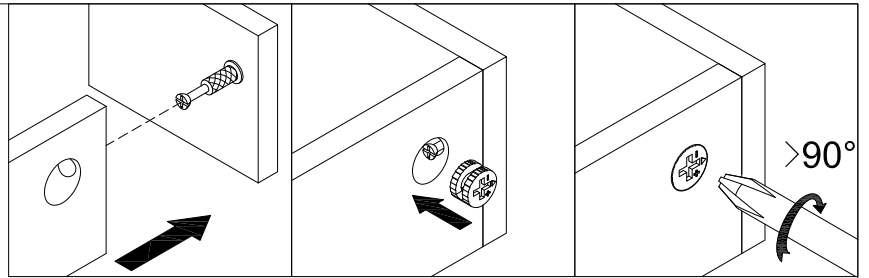
④  4pcs
Ø6x33mm



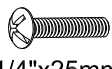
x 2

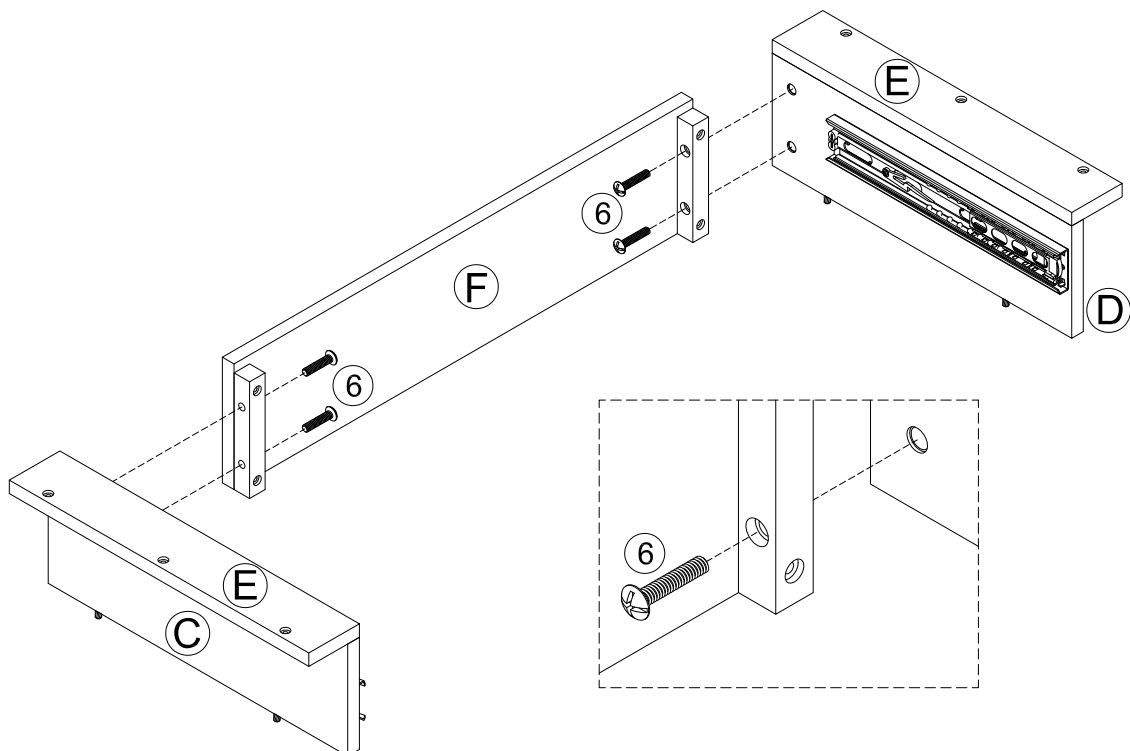
STEP 7

- ⑤  4pcs
Ø15x9mm

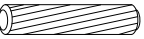


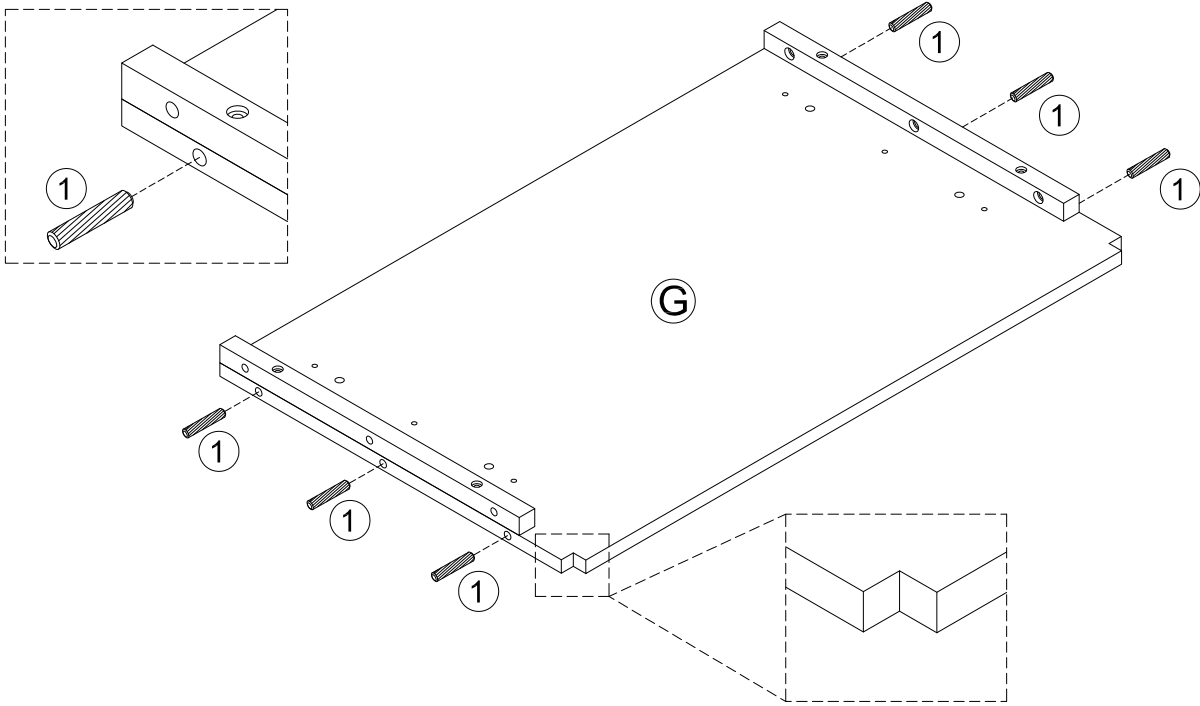
STEP 8

- ⑥  4pcs
1/4"x25mm




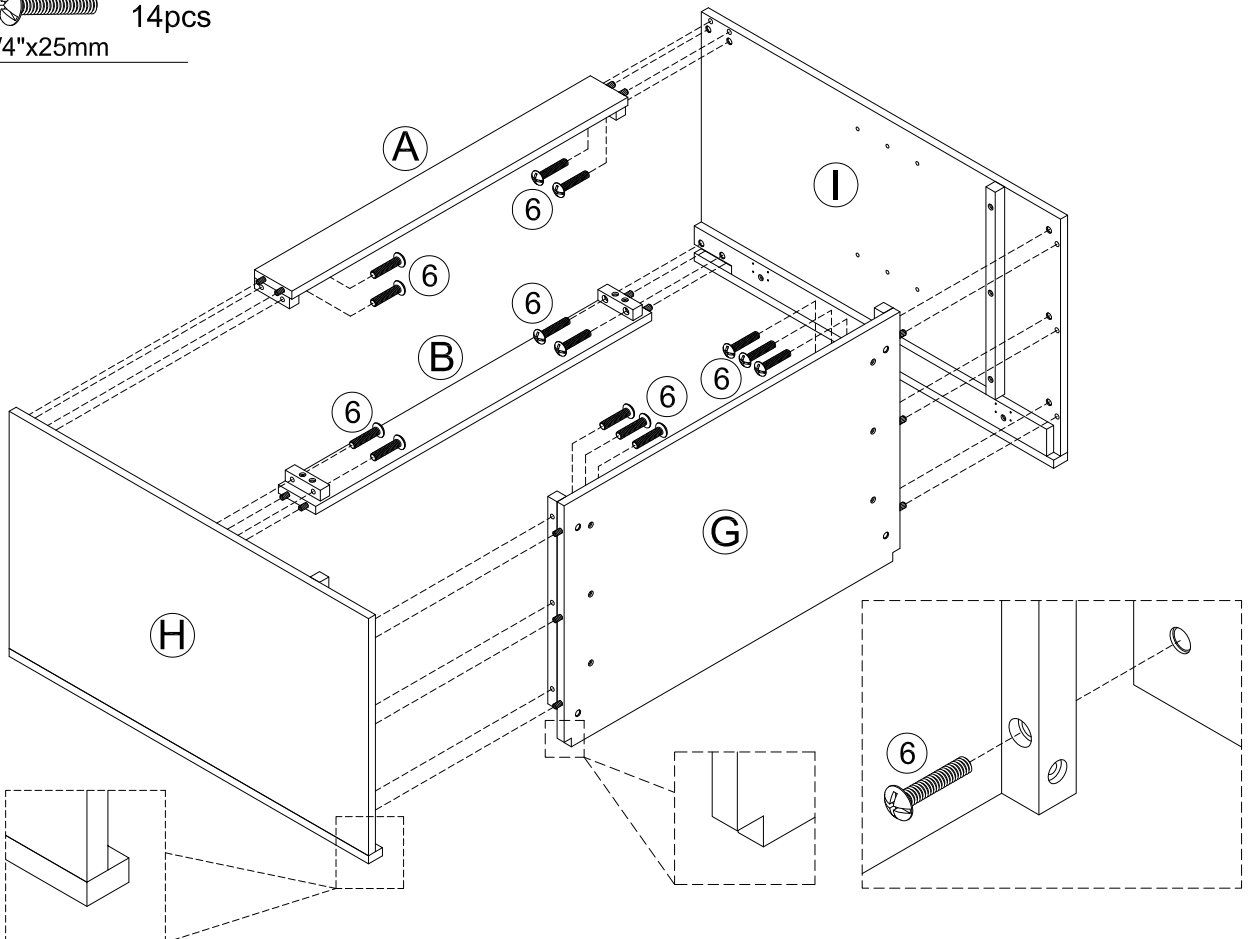
STEP 9

①  6pcs
Ø8x30mm

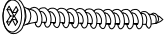


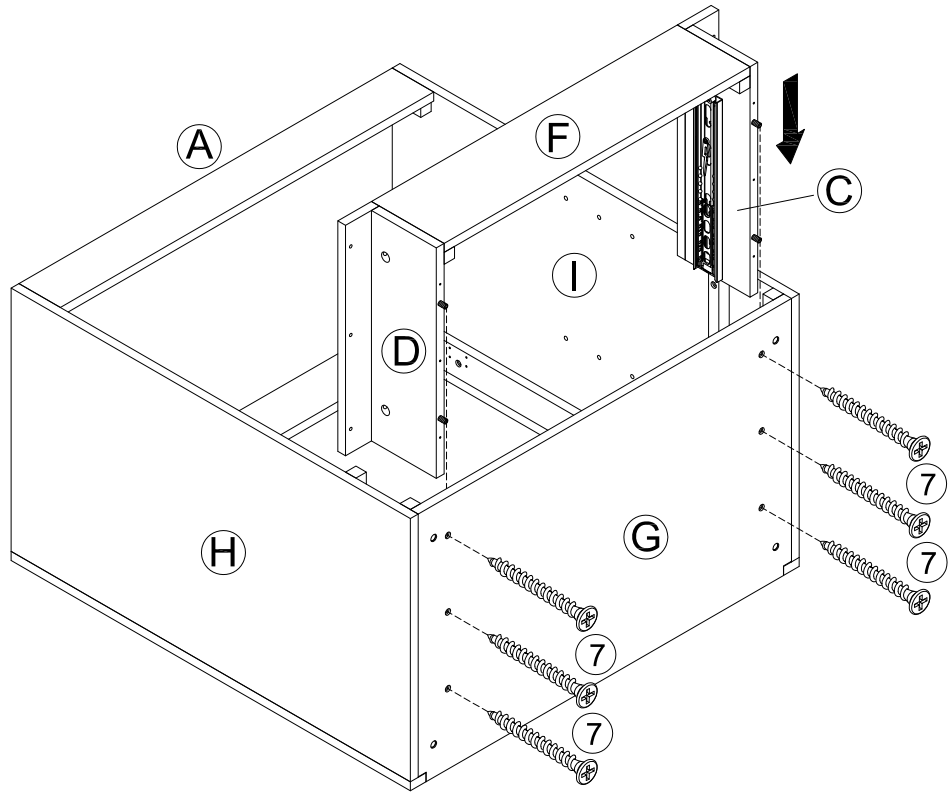
STEP 10

⑥  14pcs
1/4"x25mm

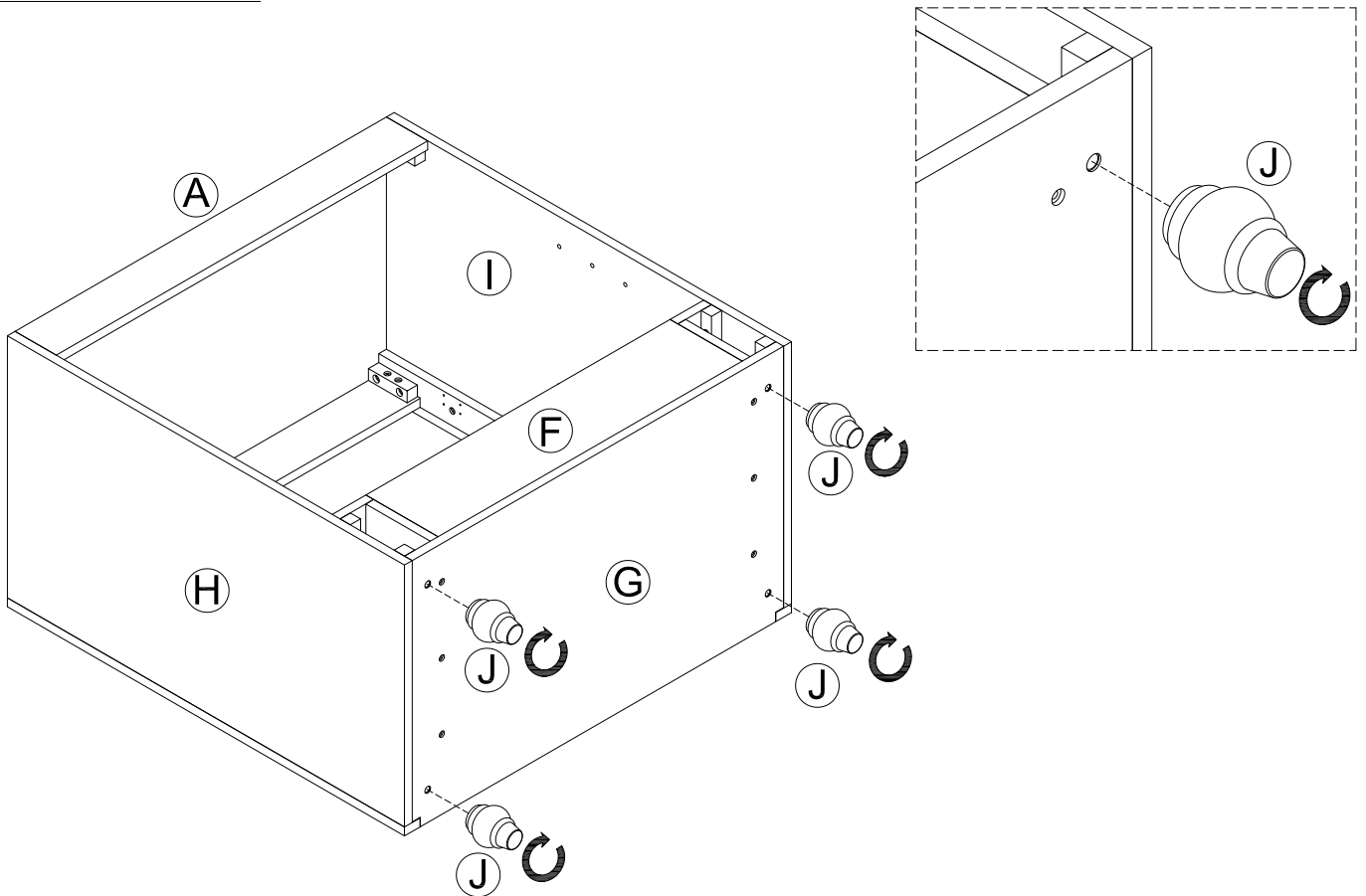


STEP 11


7  6pcs
Ø4x35

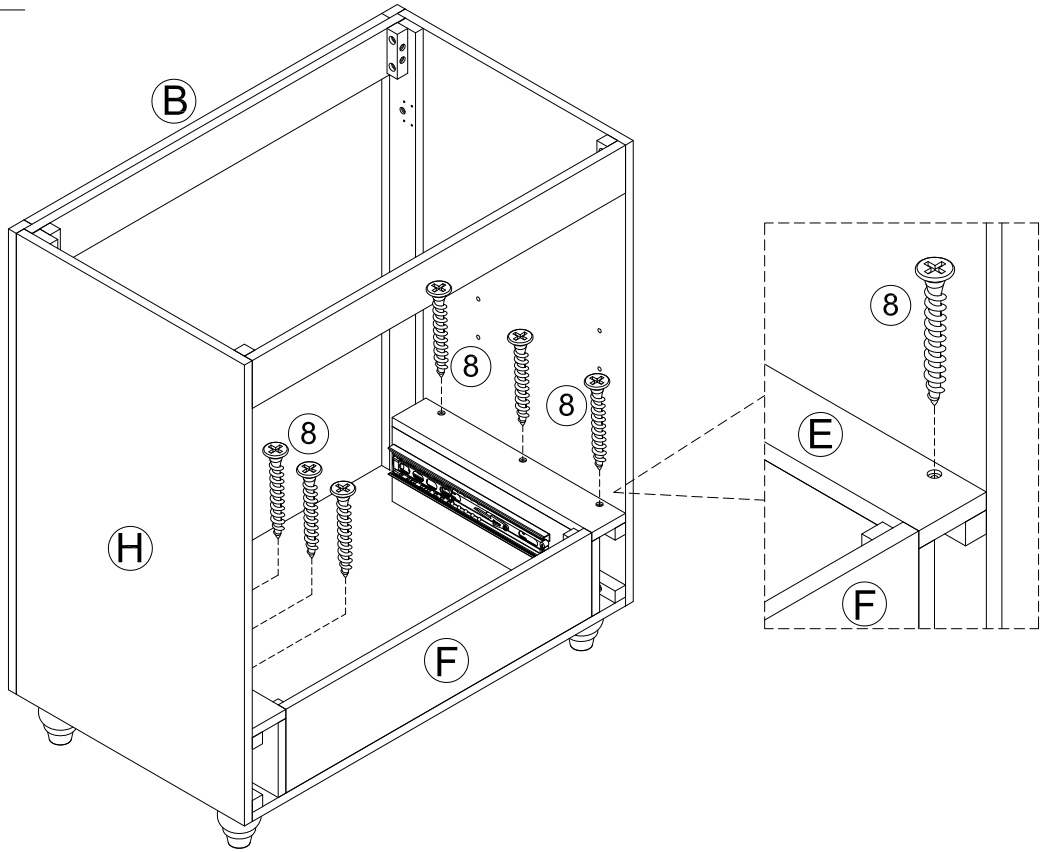


STEP 12




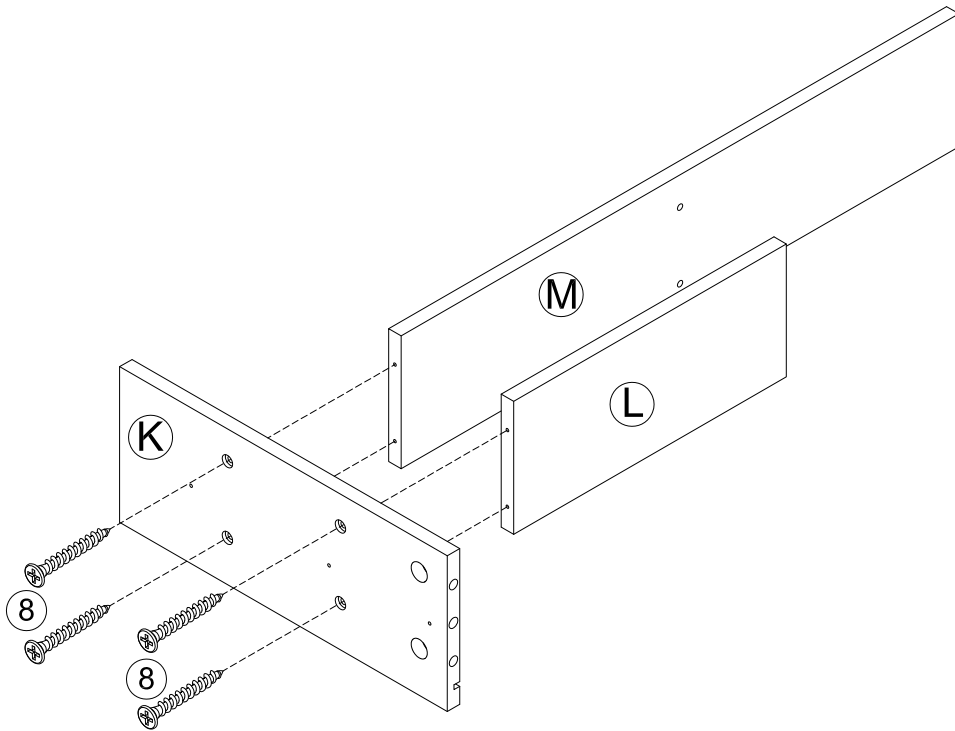
STEP 13

⑧  6pcs
Ø4x25




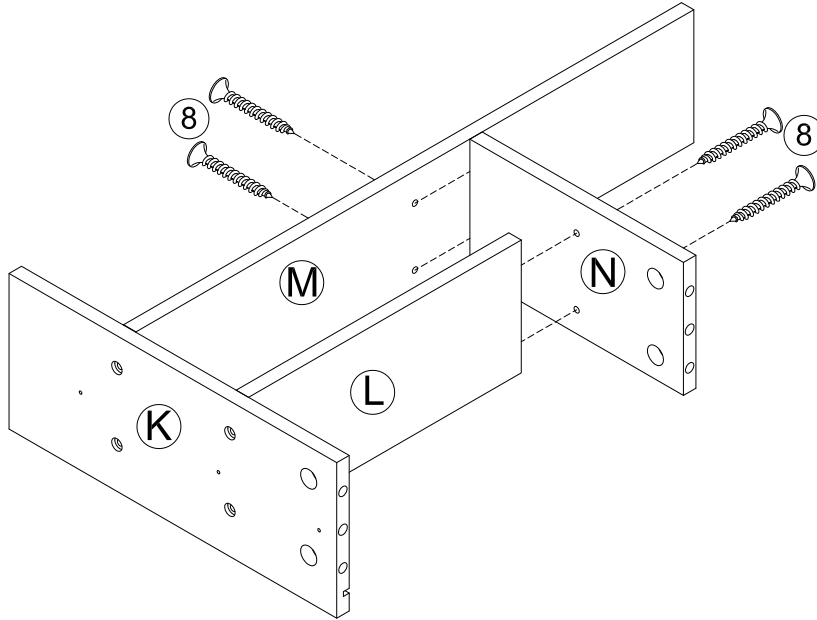
STEP 14

⑧  4pcs
Ø4x25




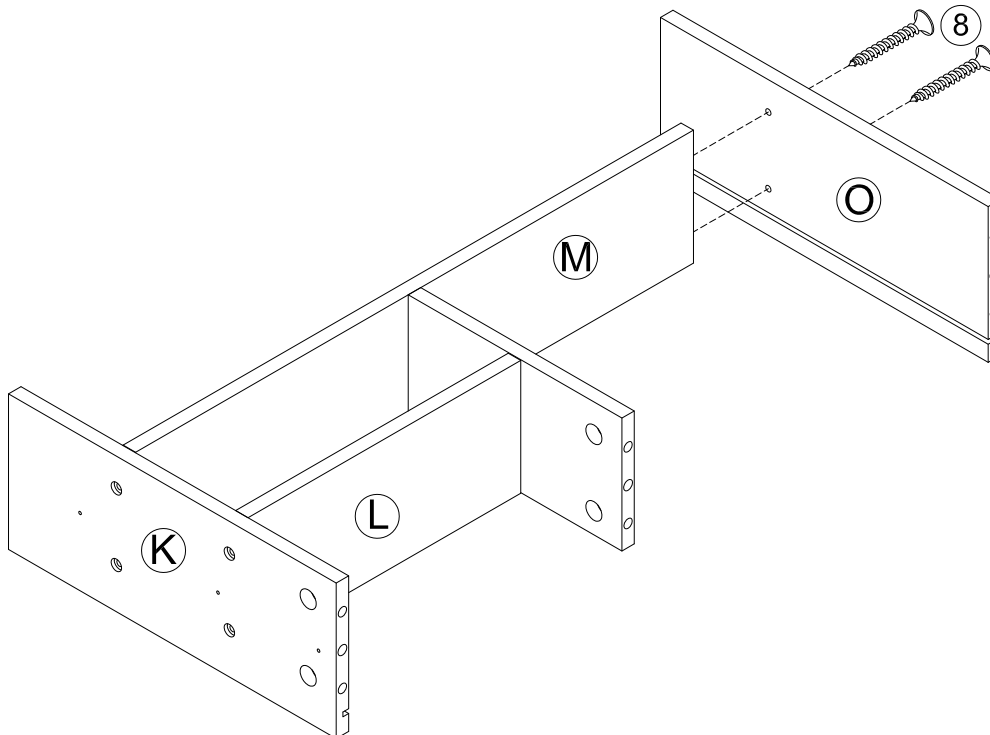
STEP 15

⑧  4pcs
Ø4x25




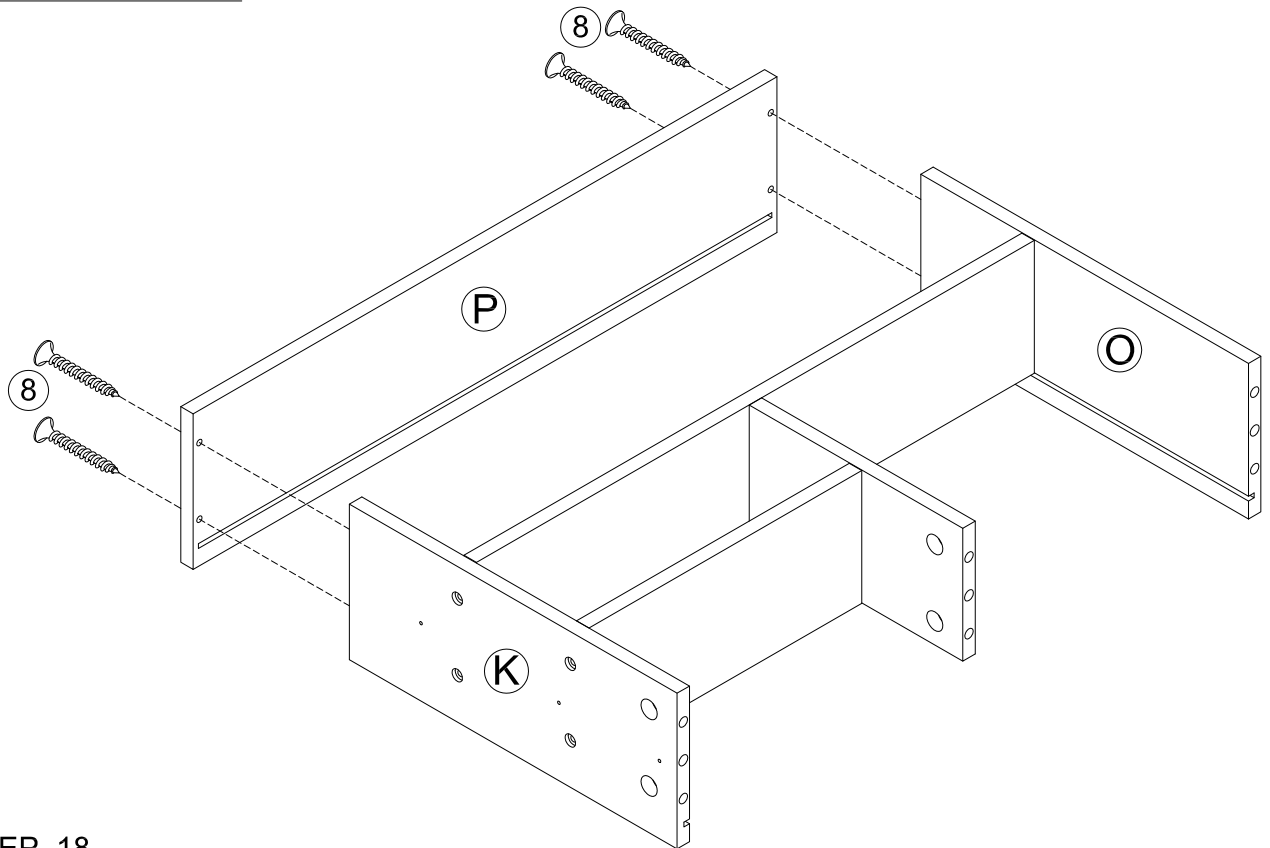
STEP 16

⑧  2pcs
Ø4x25

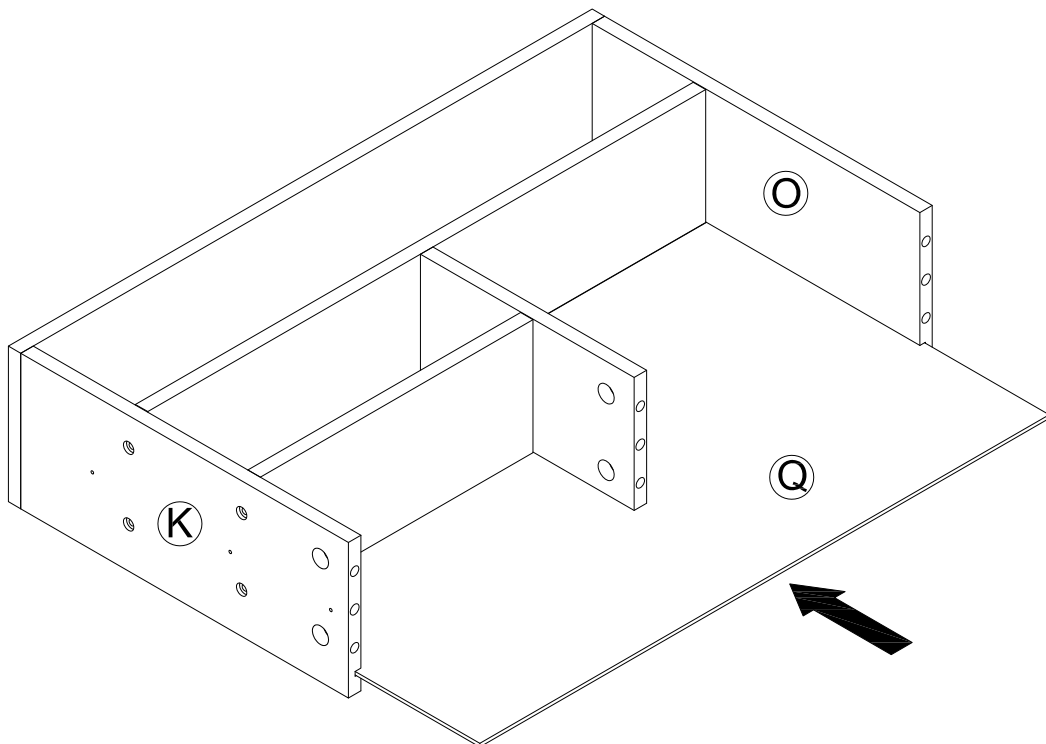


STEP 17

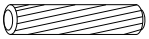
8  4pcs
Ø4x25

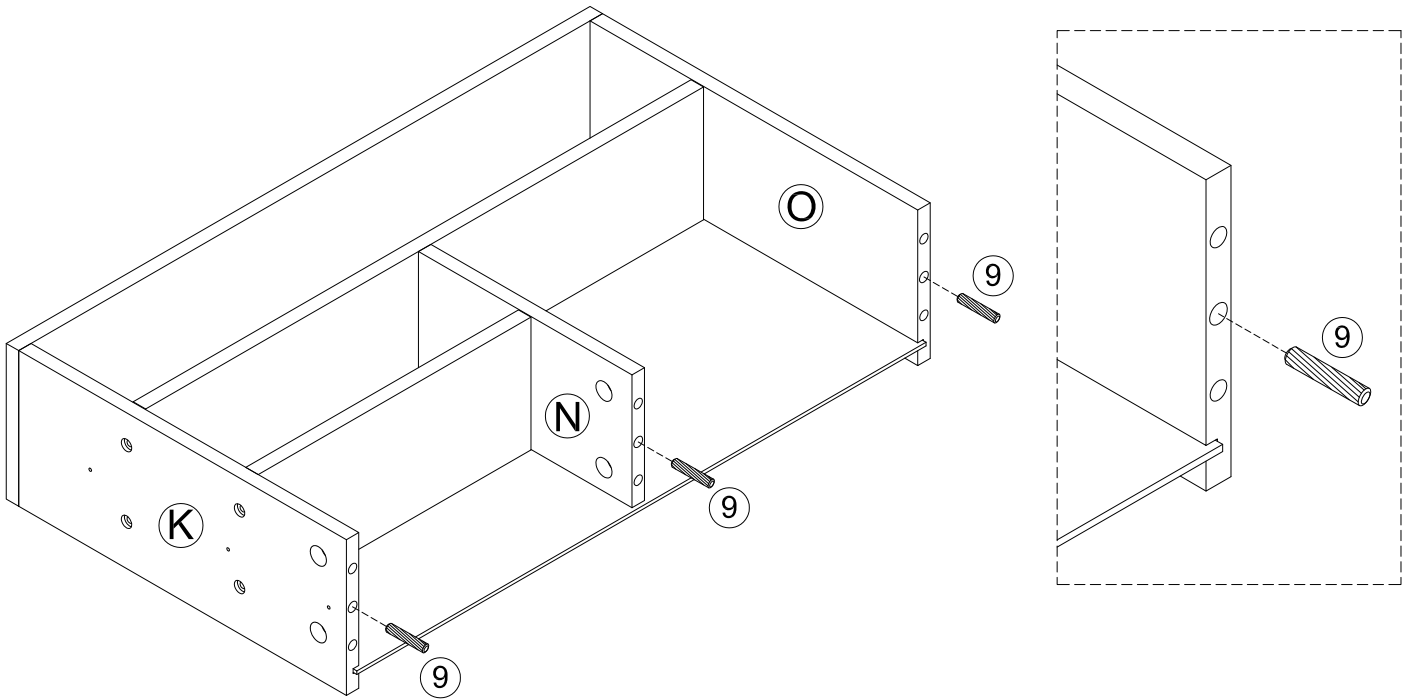


STEP 18




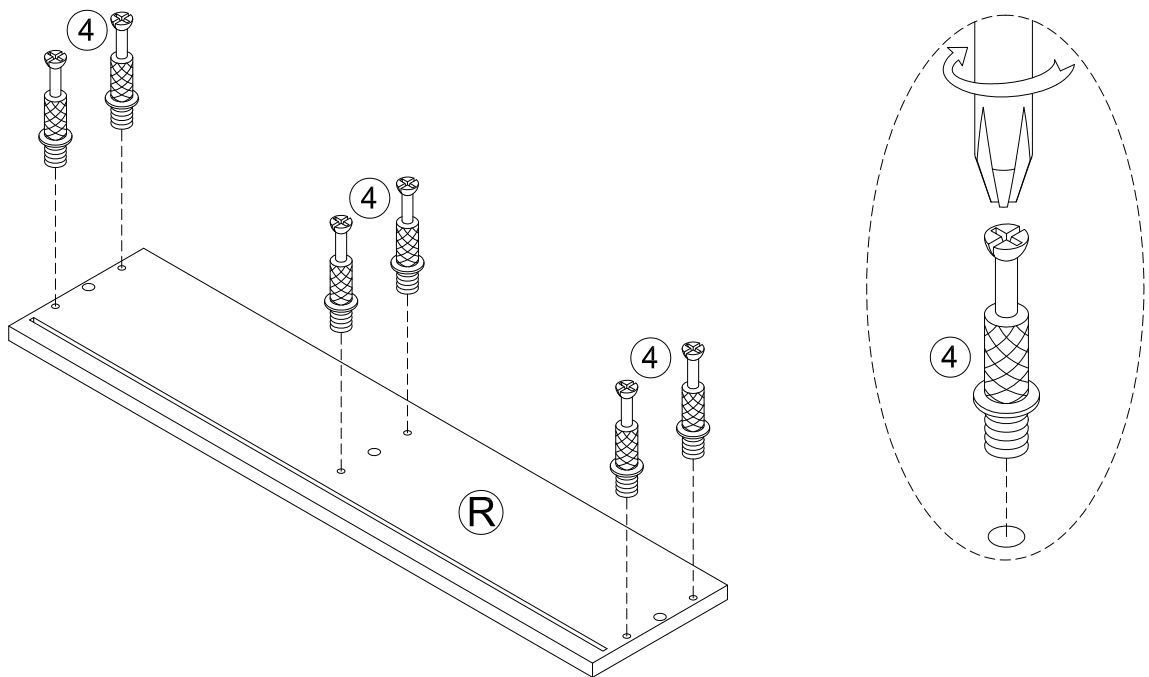
STEP 19

9  3pcs
Ø6x30mm



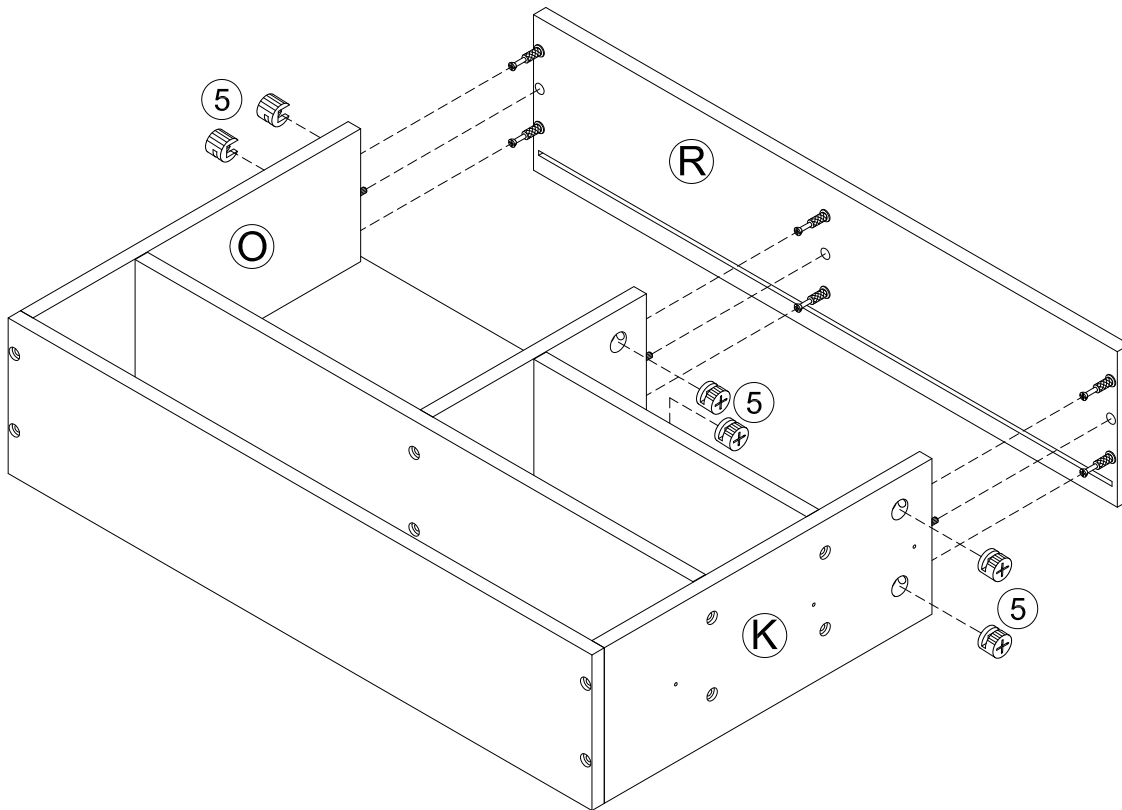
STEP 20

4  6pcs
Ø6x33mm




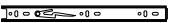
STEP 21

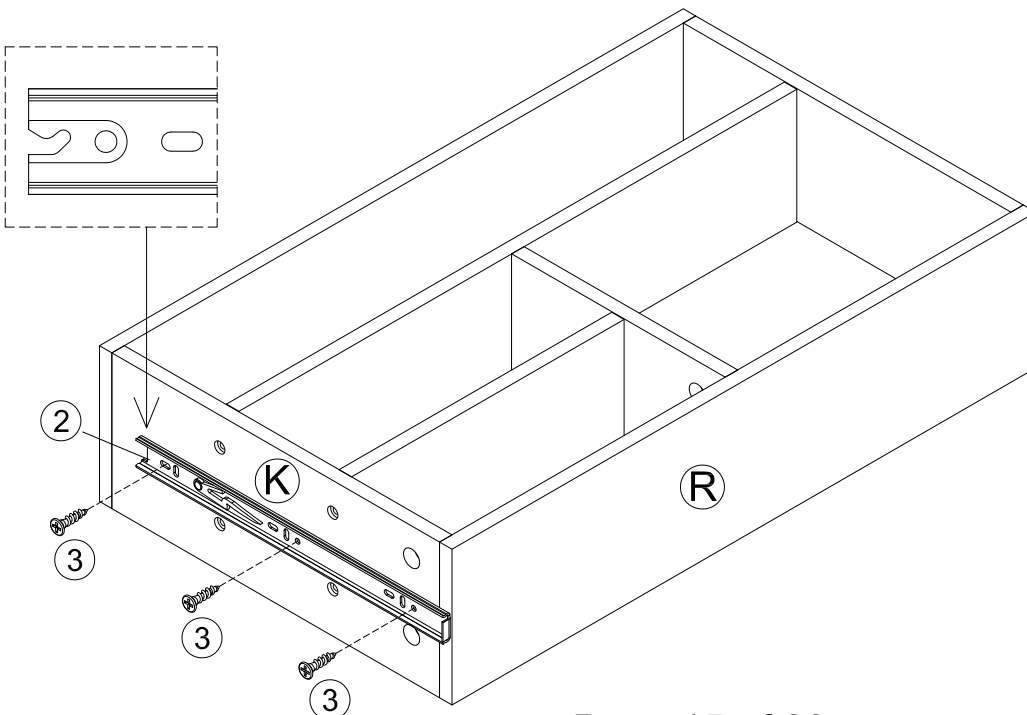
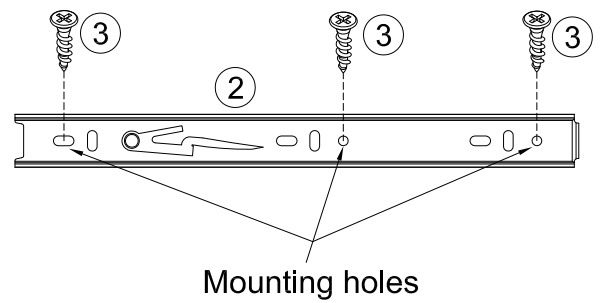
⑤  6pcs
Ø15x9mm




STEP 22

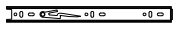
③  3pcs
Ø3x10mm

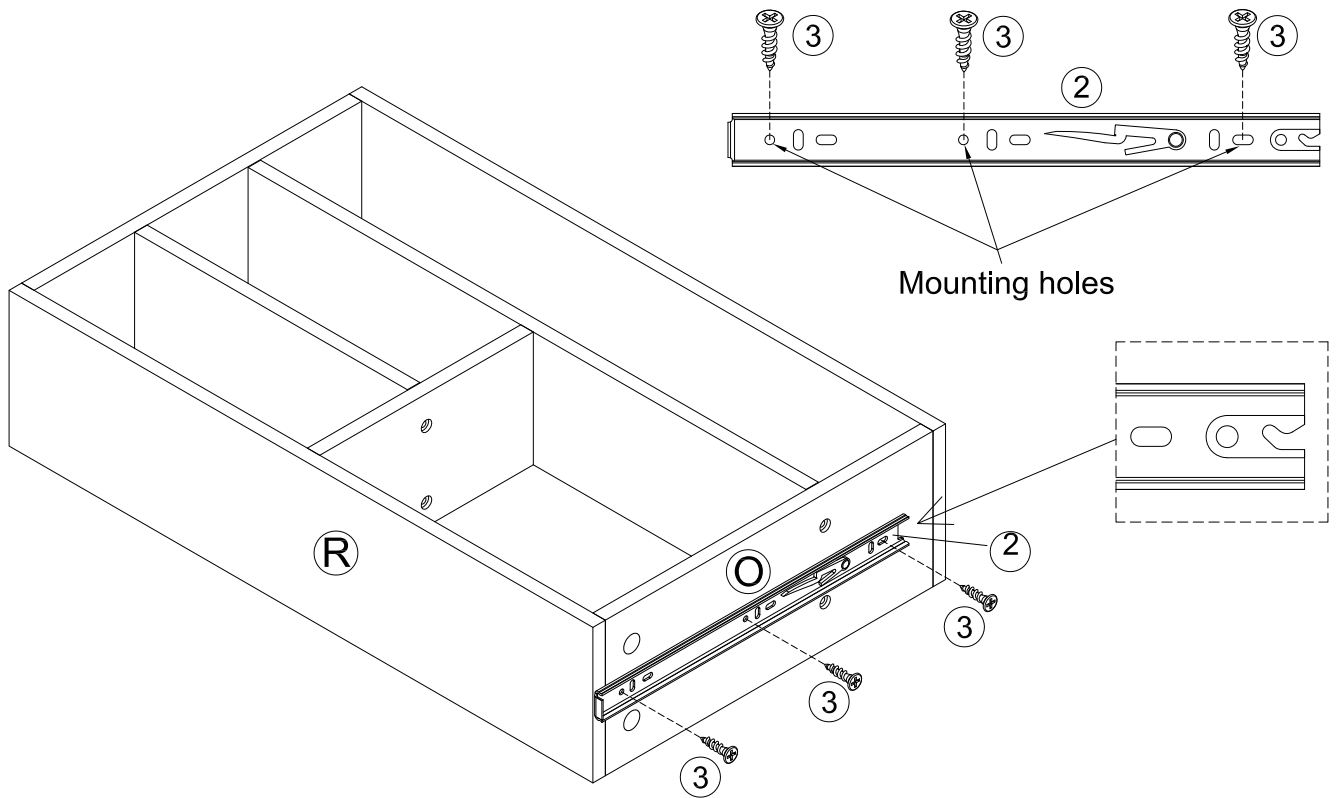
②  1pc



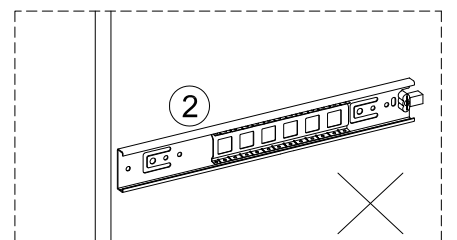
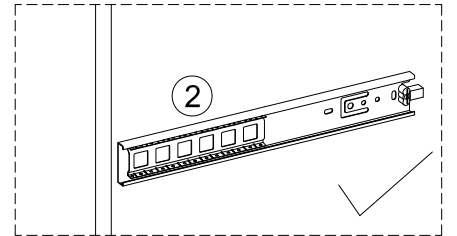
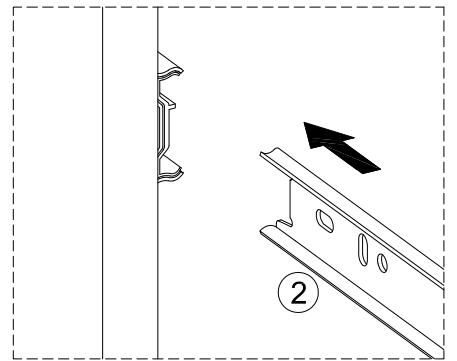
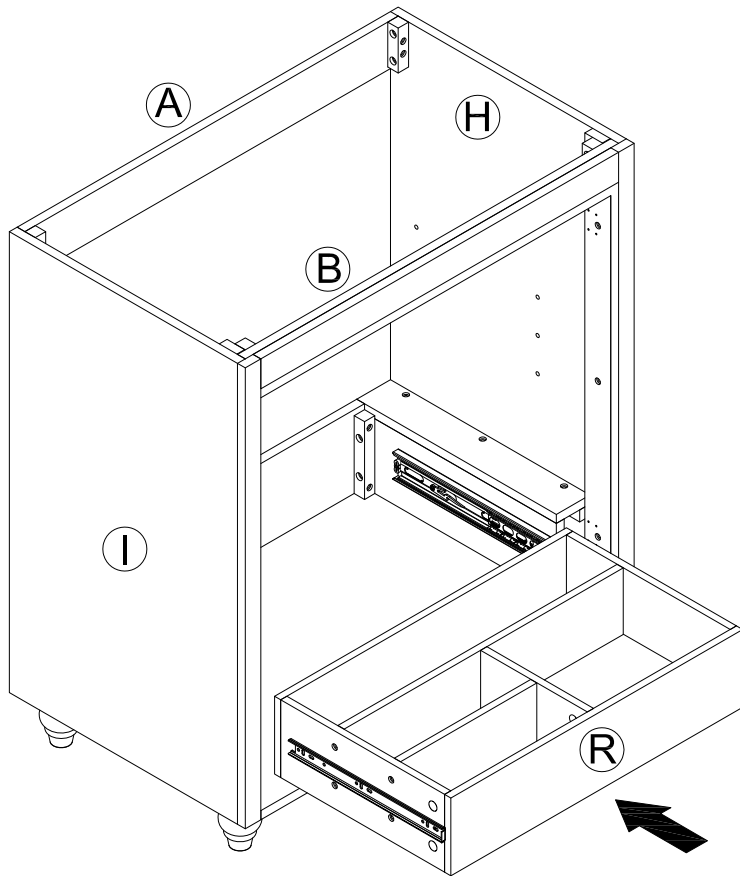
STEP 23

③  3pcs
Ø3x10mm


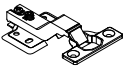
②  1pc

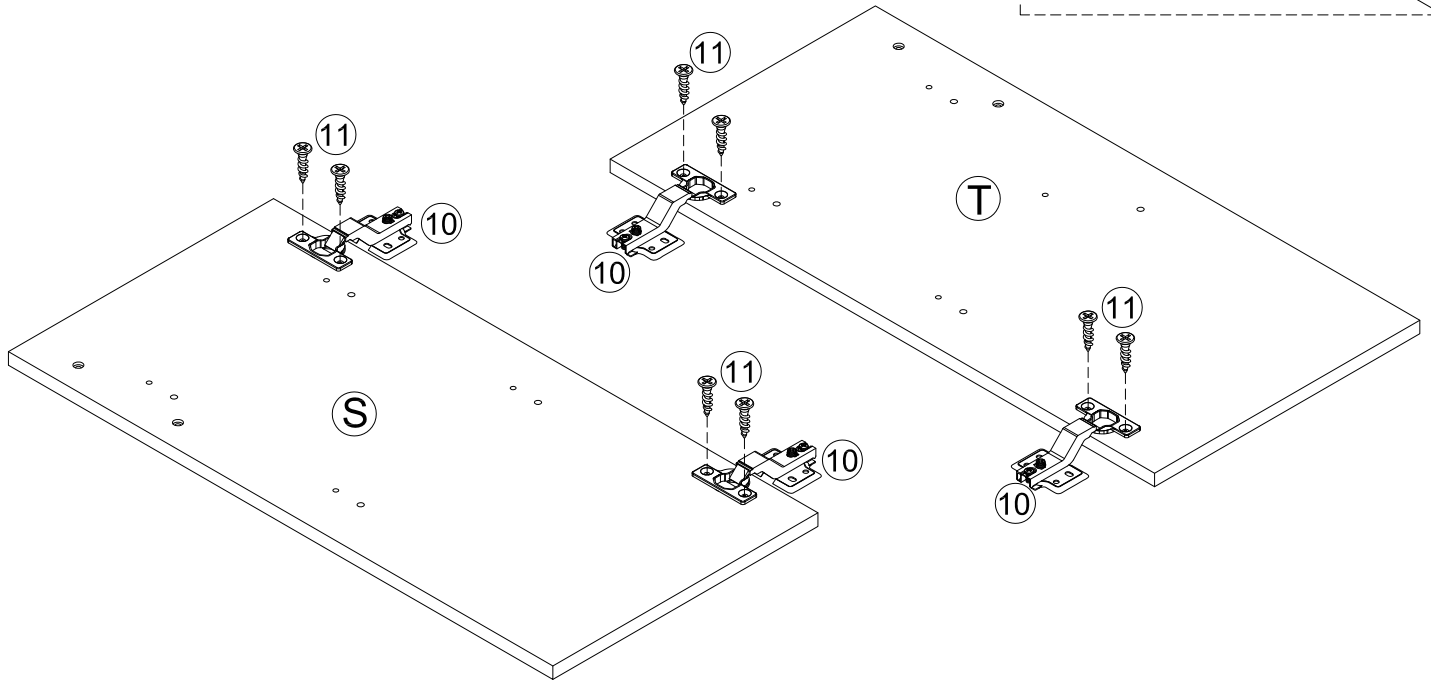
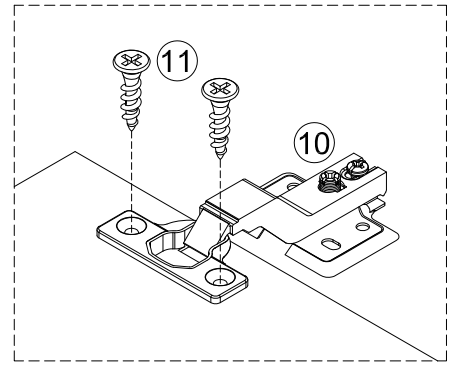


STEP 24

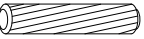


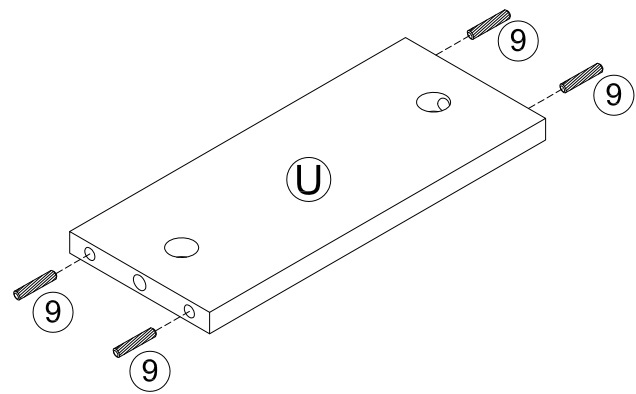
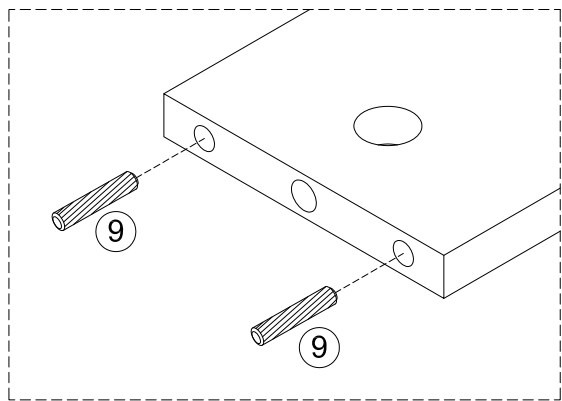
STEP 25

- ①①  8pcs $\varnothing 4 \times 12 \text{mm}$
- ①⑩  4pcs




STEP 26

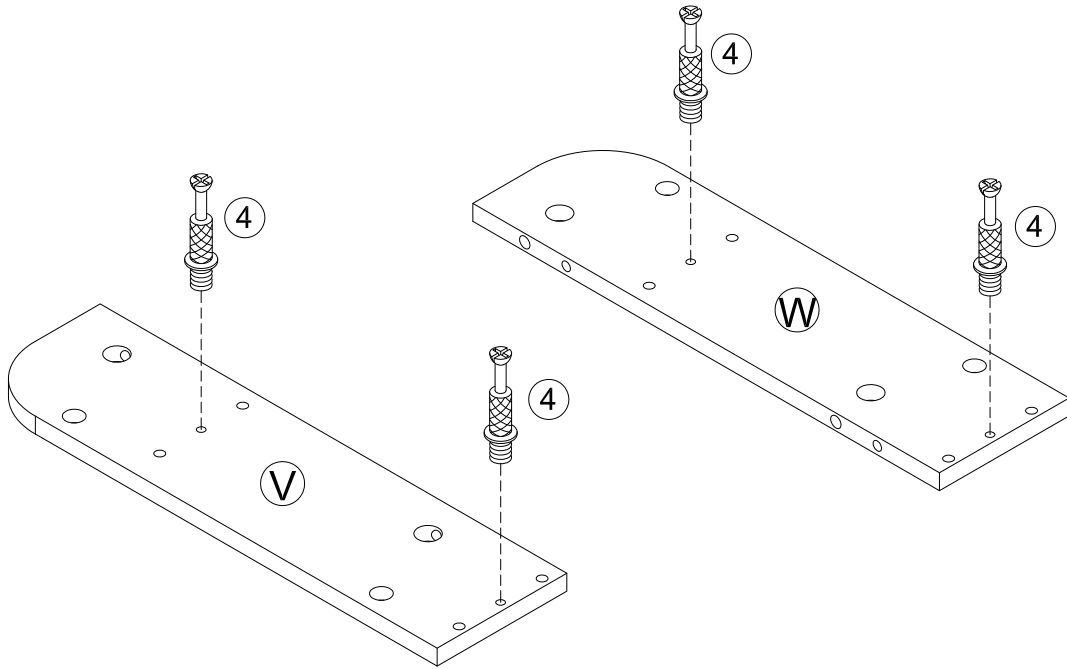
- ⑨  16pcs
 $\varnothing 6 \times 30 \text{mm}$



x 4

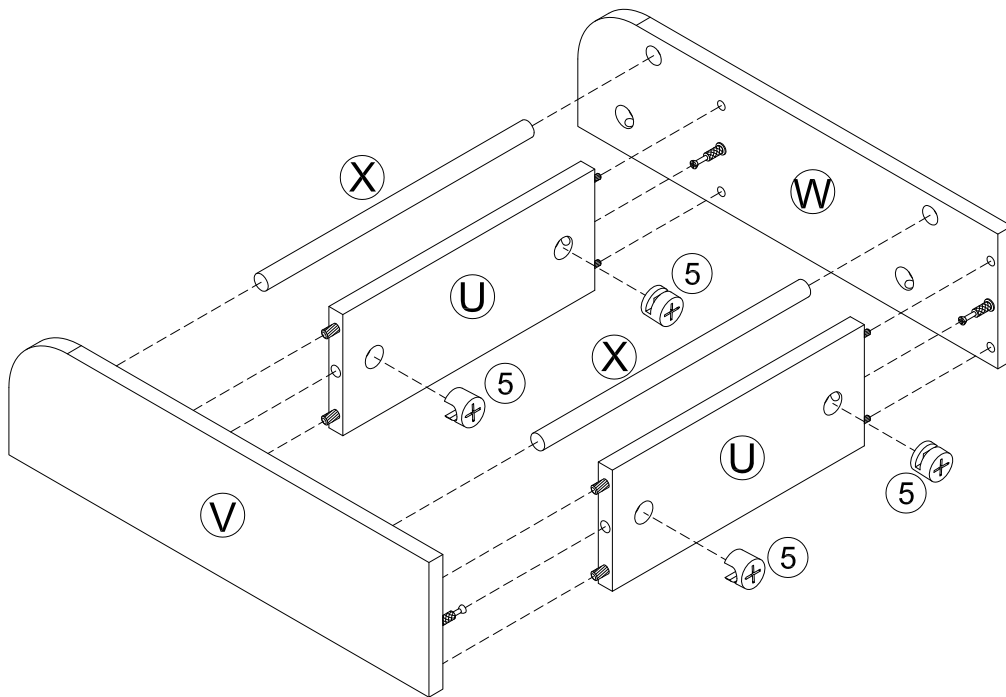
STEP 27

④  4pcs
Ø6x33mm




STEP 28

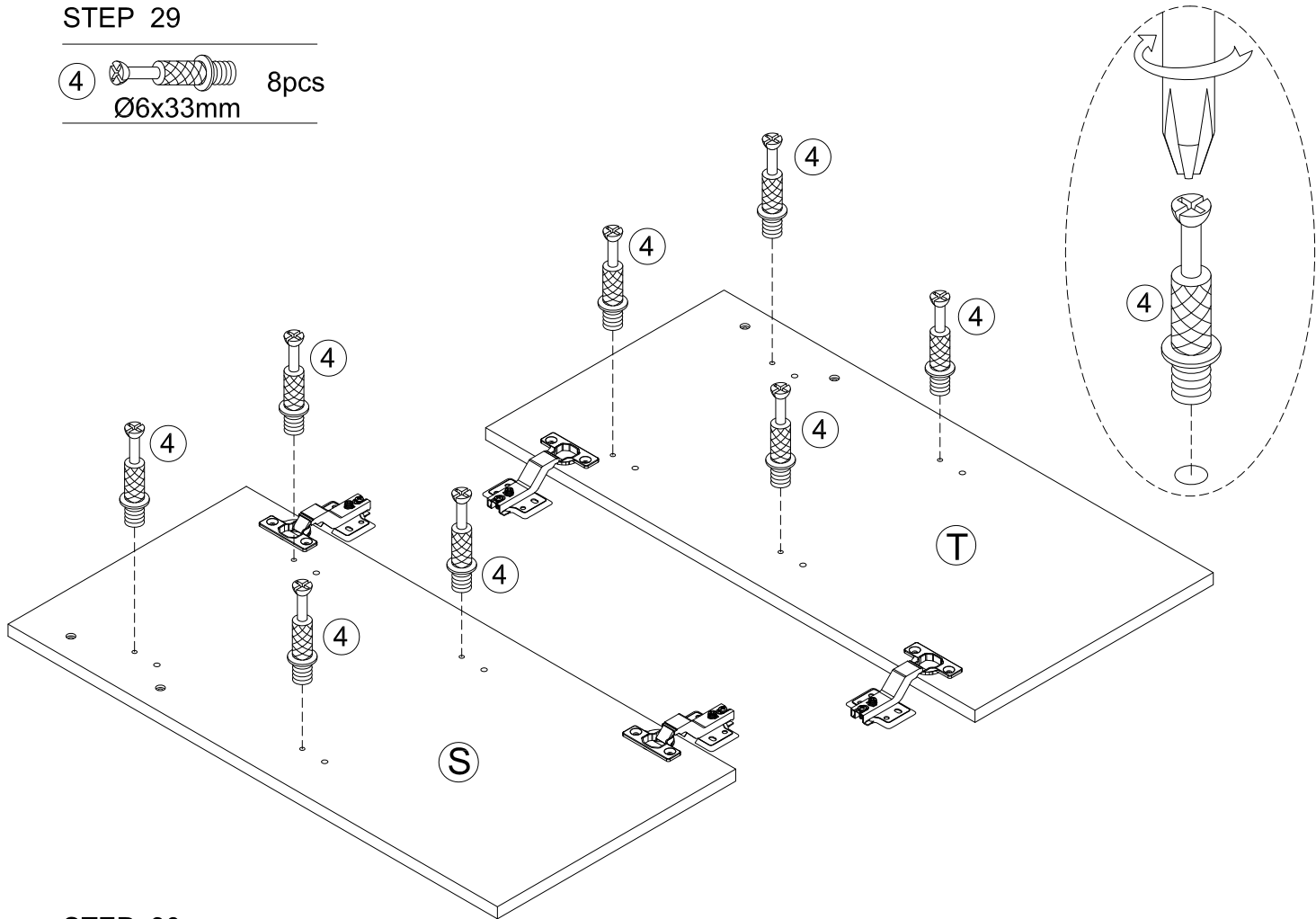
⑤  8pcs
Ø15x9mm



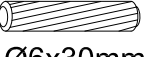
x 2


STEP 29

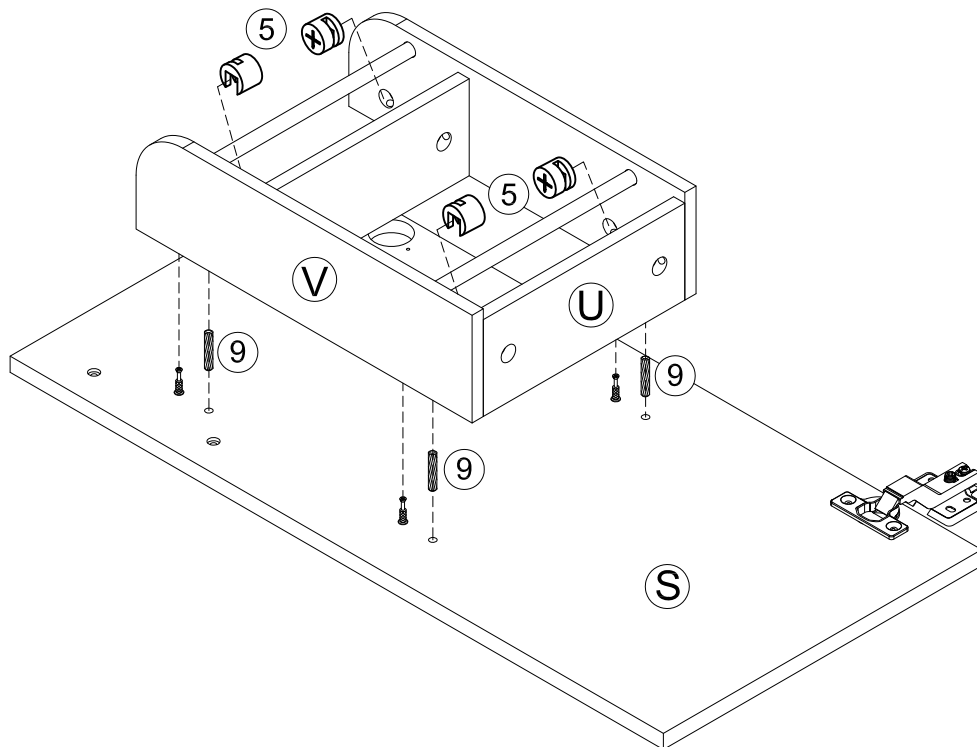
④  8pcs
Ø6x33mm



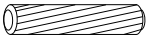
STEP 30

⑨  4pcs
Ø6x30mm

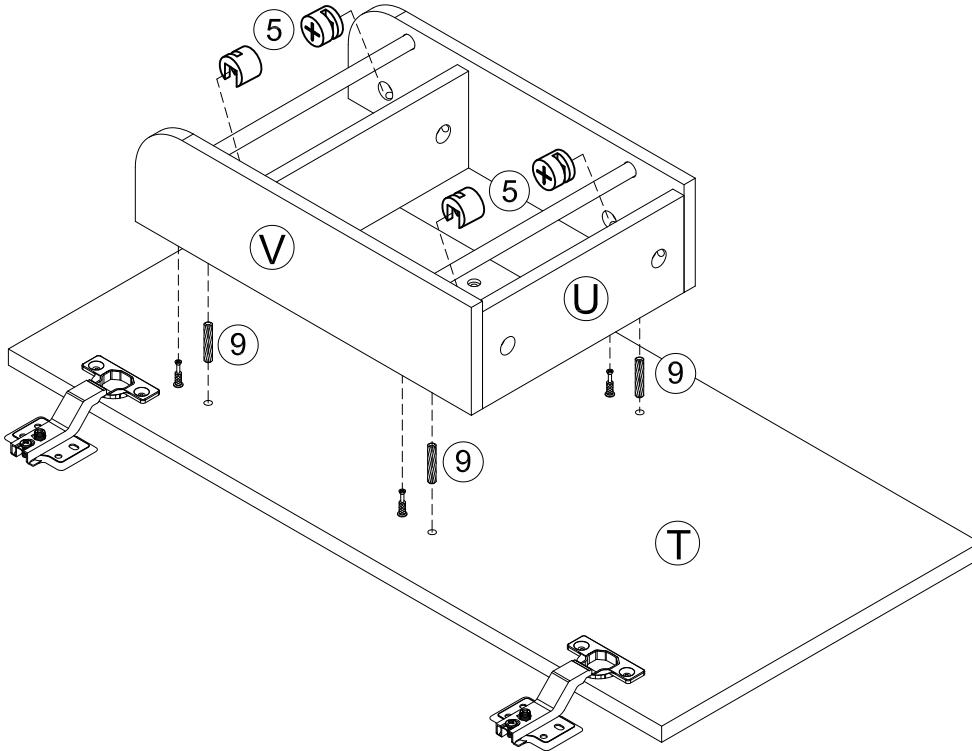
⑤  4pcs
Ø15x9mm




STEP 31

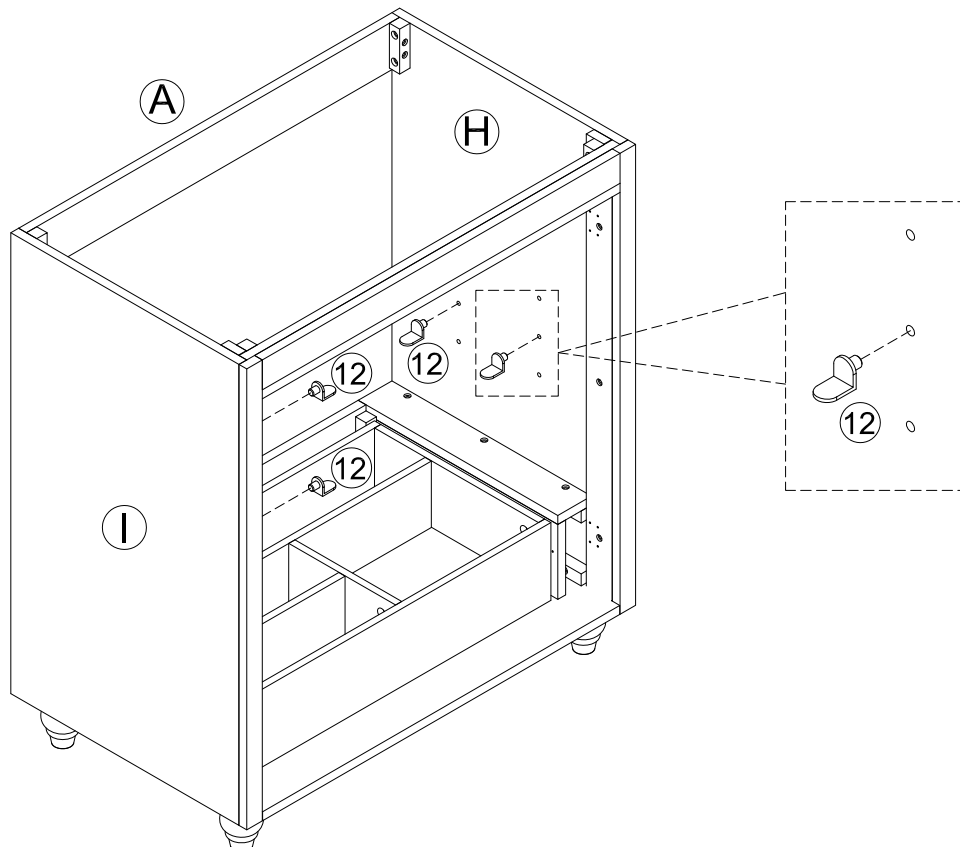
9  4pcs
Ø6x30mm

5  4pcs
Ø15x9mm

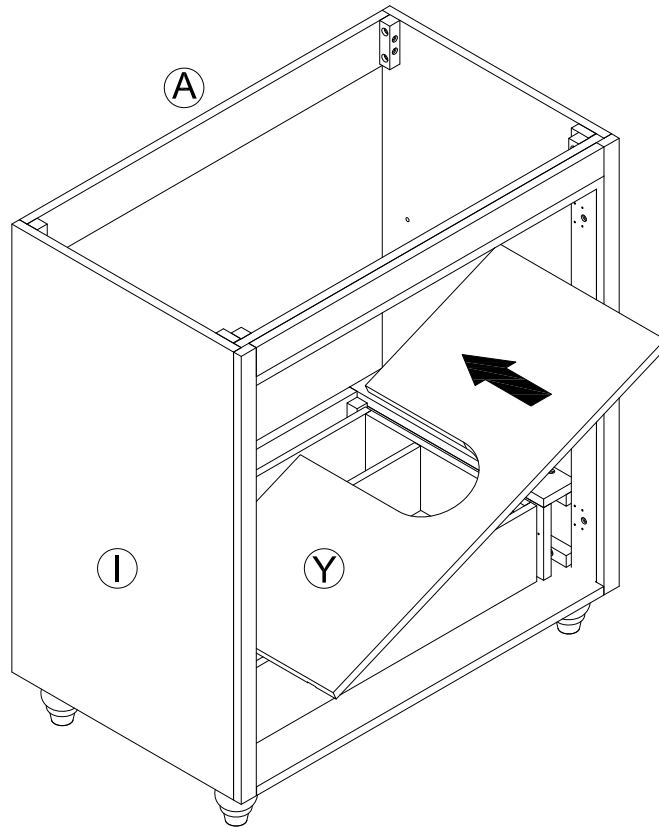


STEP 32

12  4pcs



STEP 33

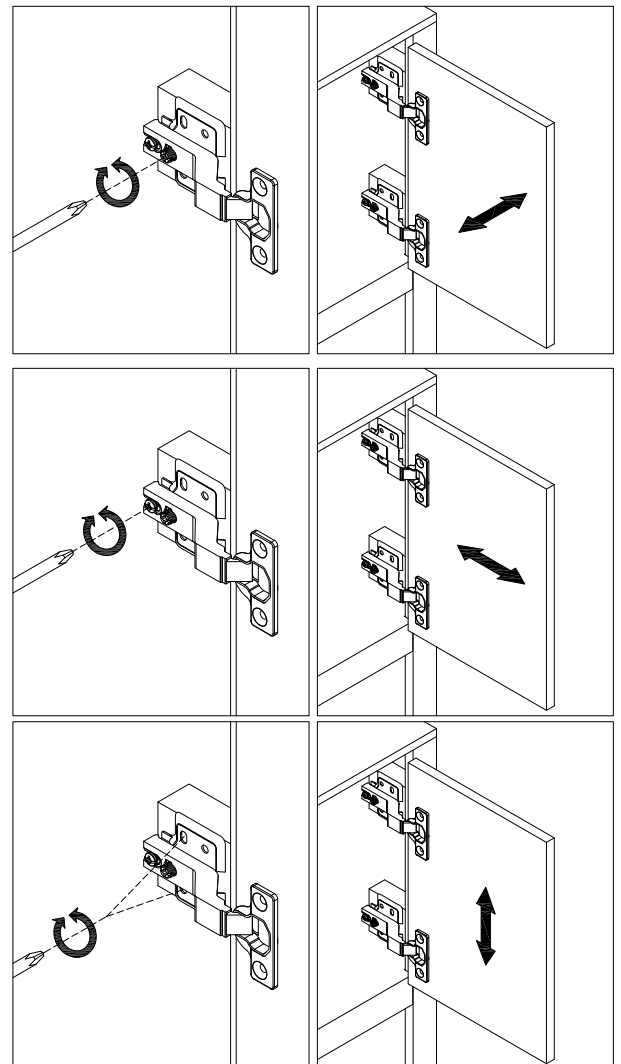
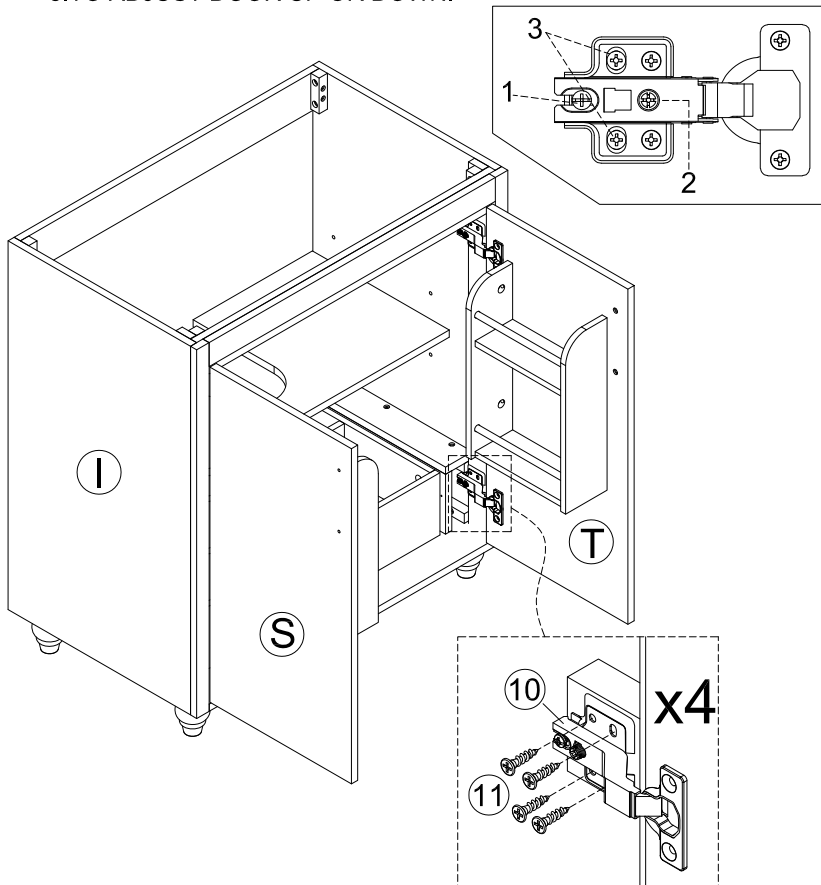


STEP 34

11  16pcs
Ø4x12mm

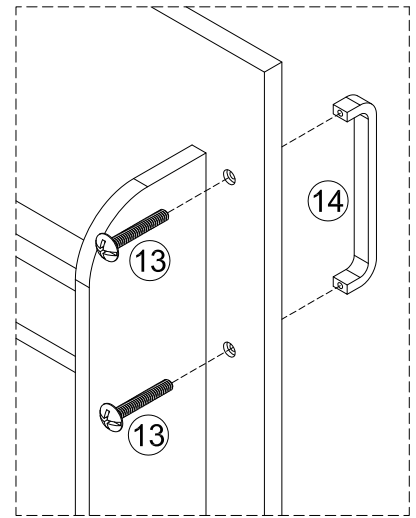
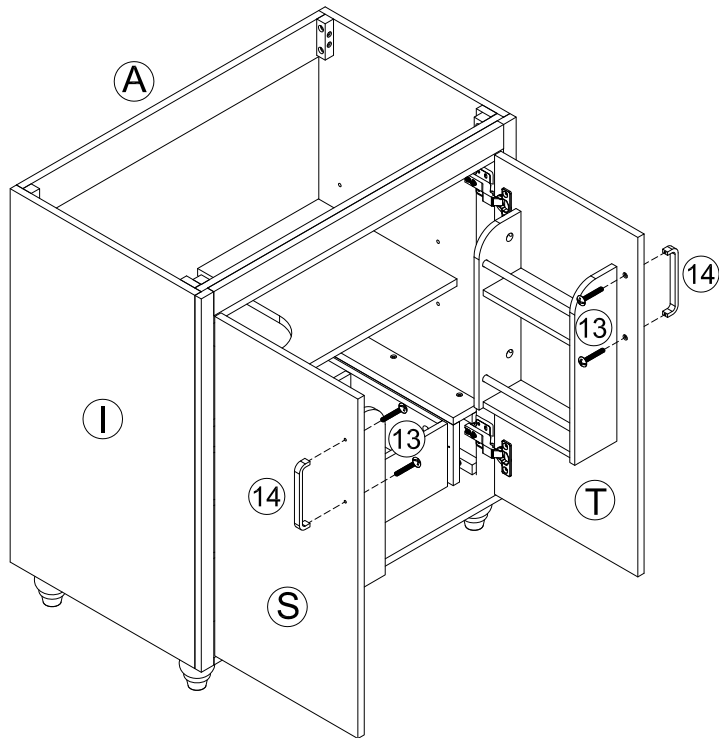
Three-way adjustable hinge for perfectly aligned doors

1. TO ADJUST DOOR FORWARD OR BACKWARD.
2. TO ADJUST DOOR TO RIGHT OR TO LEFT.
3. TO ADJUST DOOR UP OR DOWN.

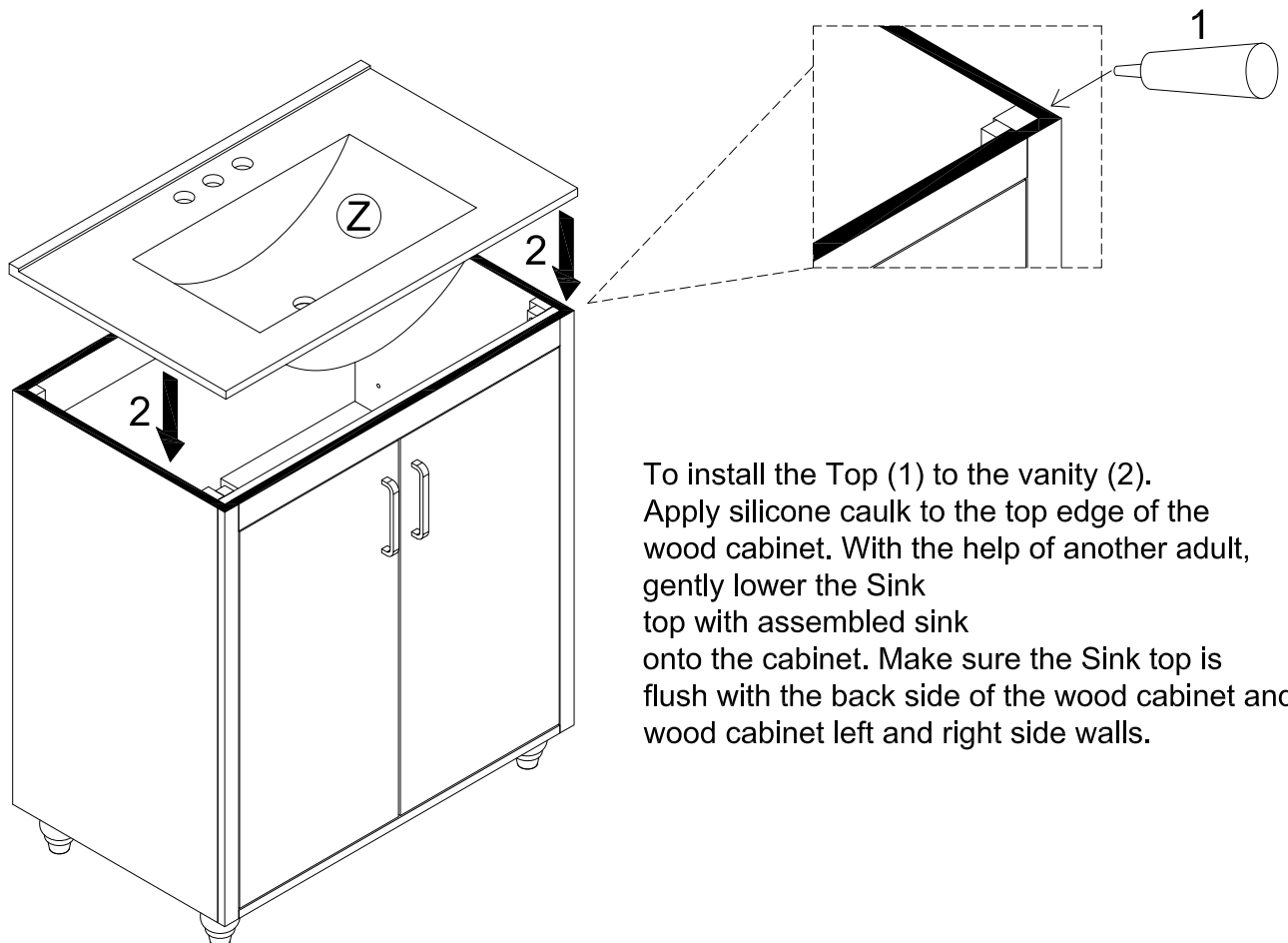


STEP 35

- ⑬ 5/32"x18mm 4pcs ⑭ 2pcs



STEP 36



To install the Top (1) to the vanity (2). Apply silicone caulk to the top edge of the wood cabinet. With the help of another adult, gently lower the Sink top with assembled sink onto the cabinet. Make sure the Sink top is flush with the back side of the wood cabinet and the wood cabinet left and right side walls.

