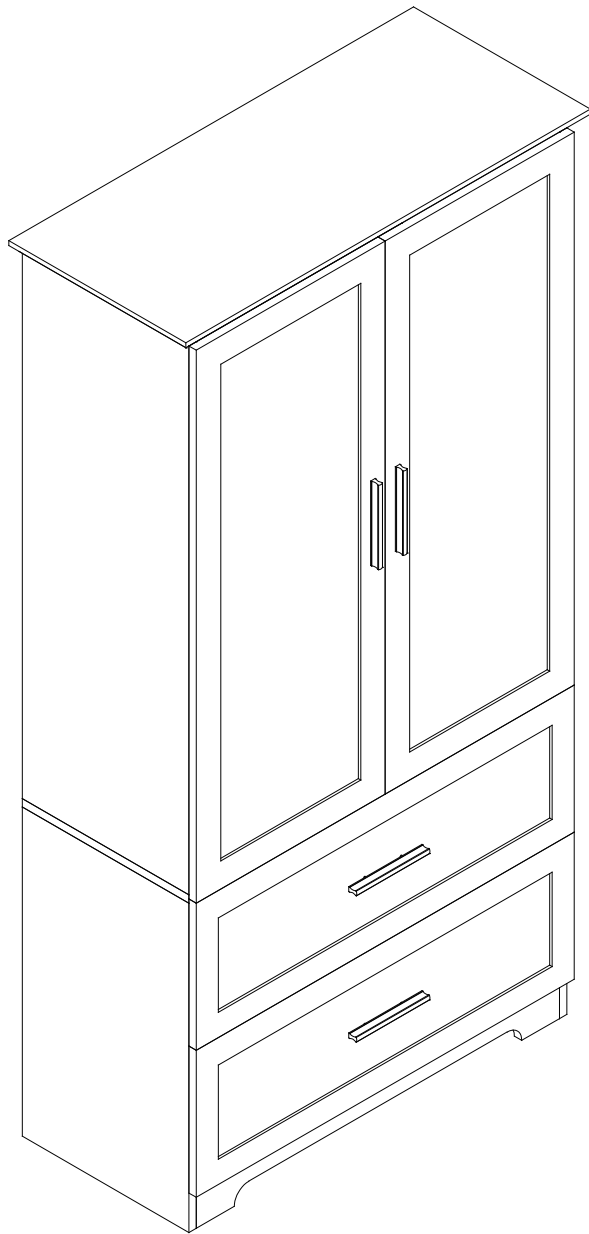
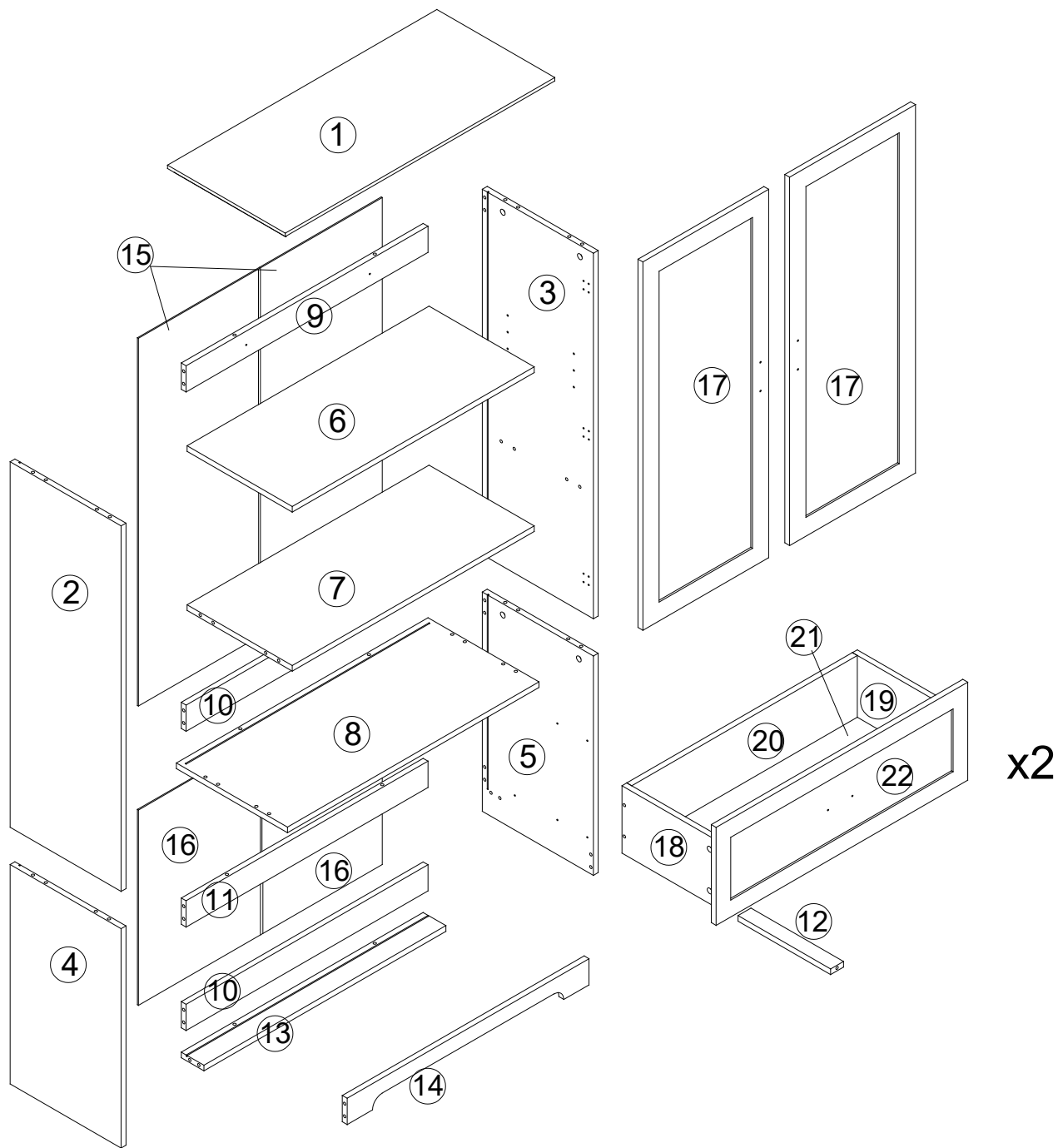
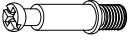
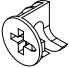
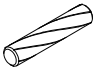


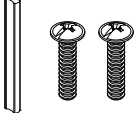

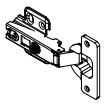
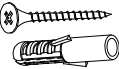

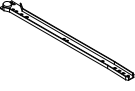
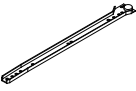
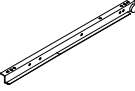
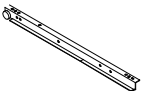


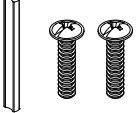


ASSEMBLY INSTRUCTION




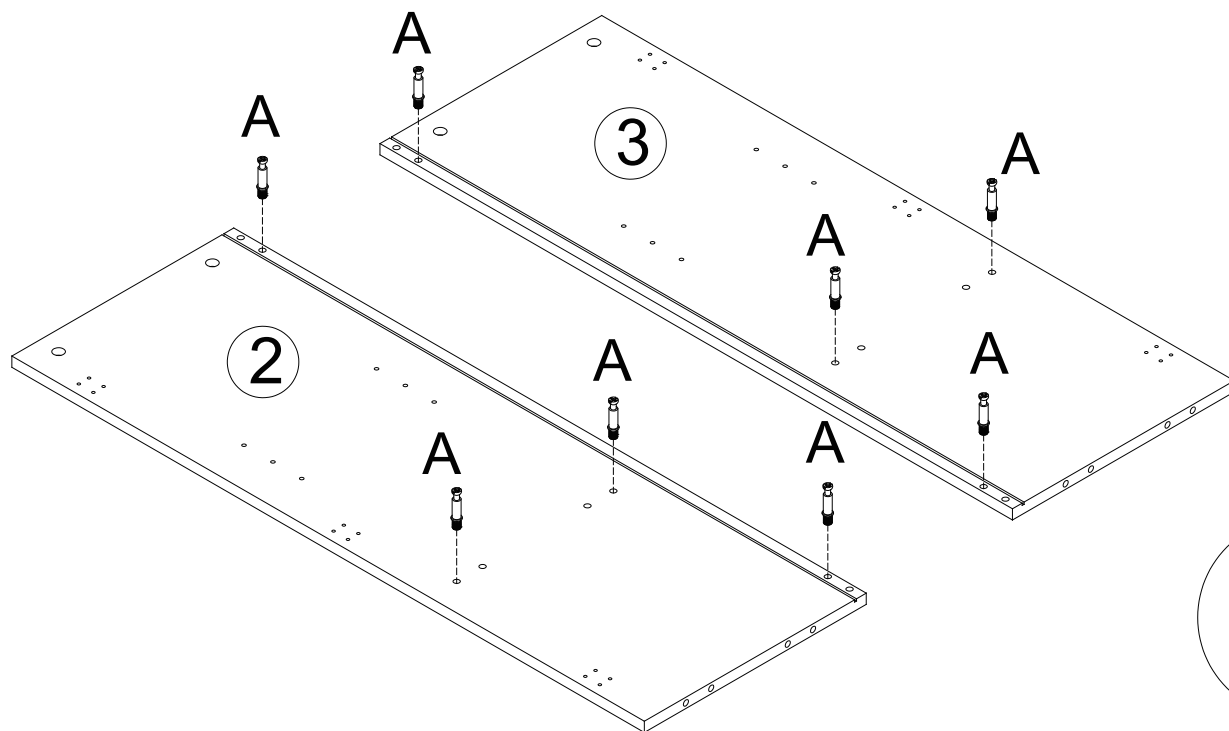


x2



 A x 38	 B x 38	 6x30 C x 32	 4x40 D x 18	 3.5x12 E x 24	 F x 2	 G x 4
 H x 6	 I x 2	 4x12 J x 36	 CL x 2	 CR x 2	 DL x 2	 DR x 2
 K x 1	 L x 1	 M x 2				

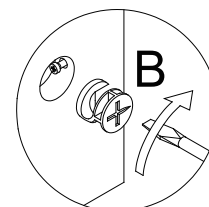
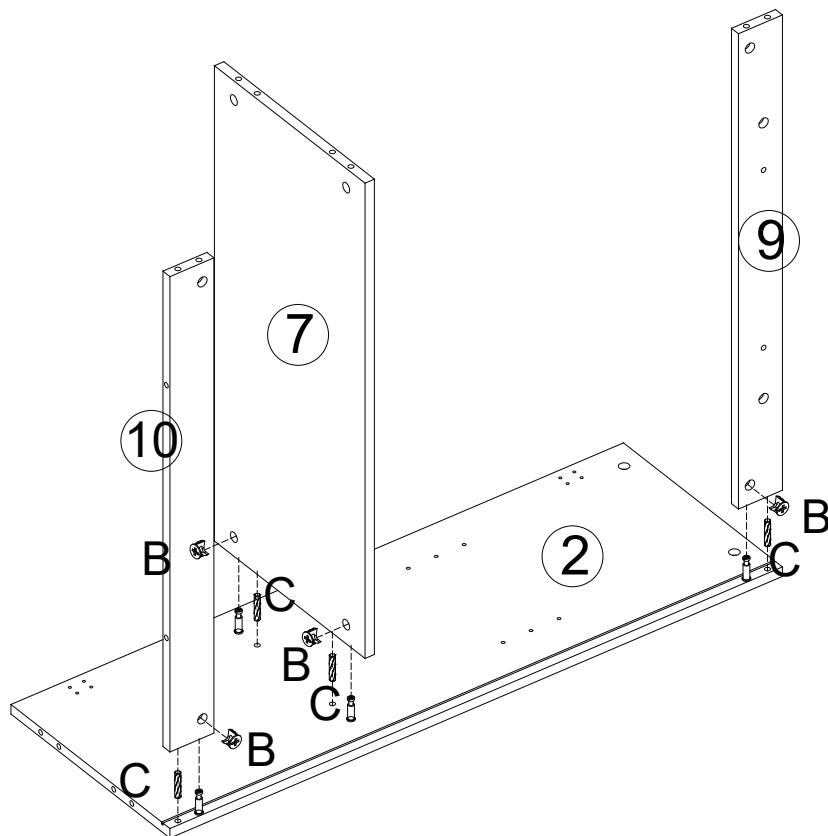
STEP 1

A		8
---	---	---


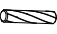


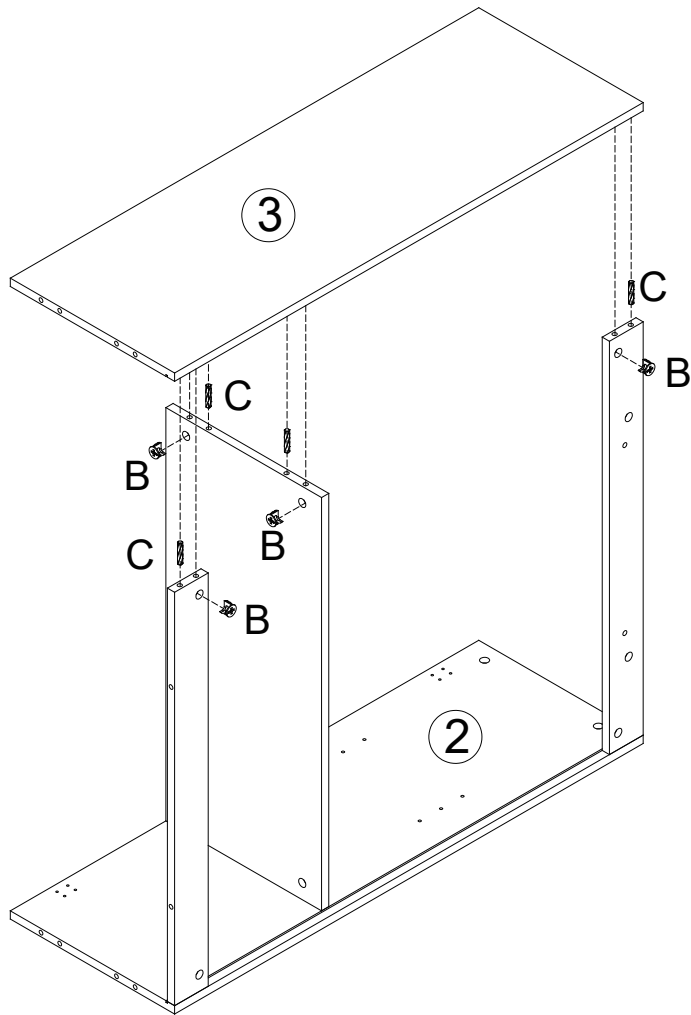
STEP 3

B		4
C		4

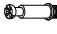


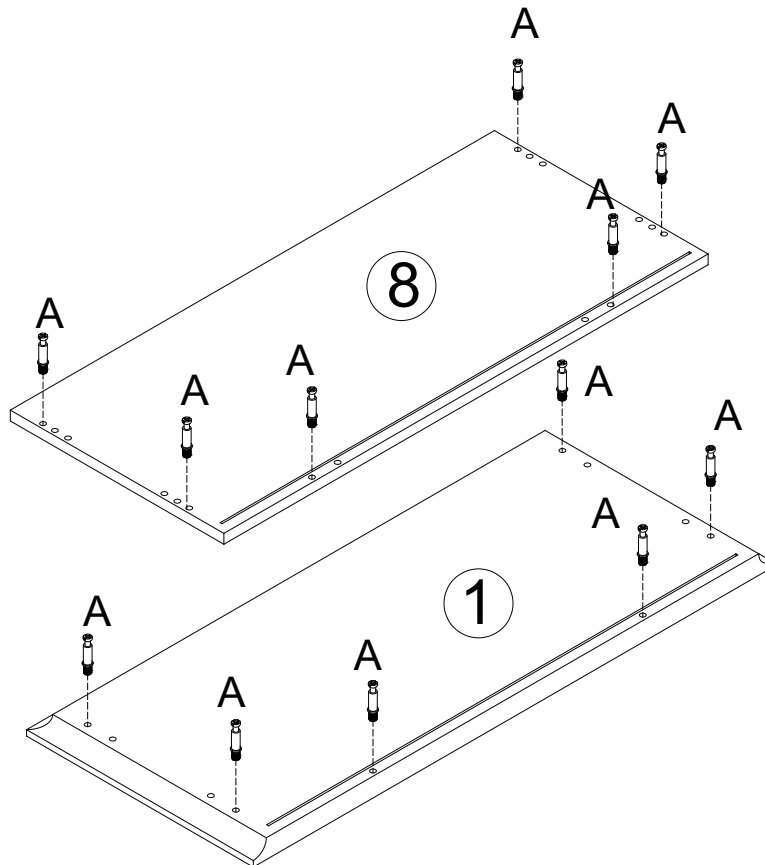
STEP 3

B		4
C		4

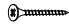
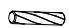


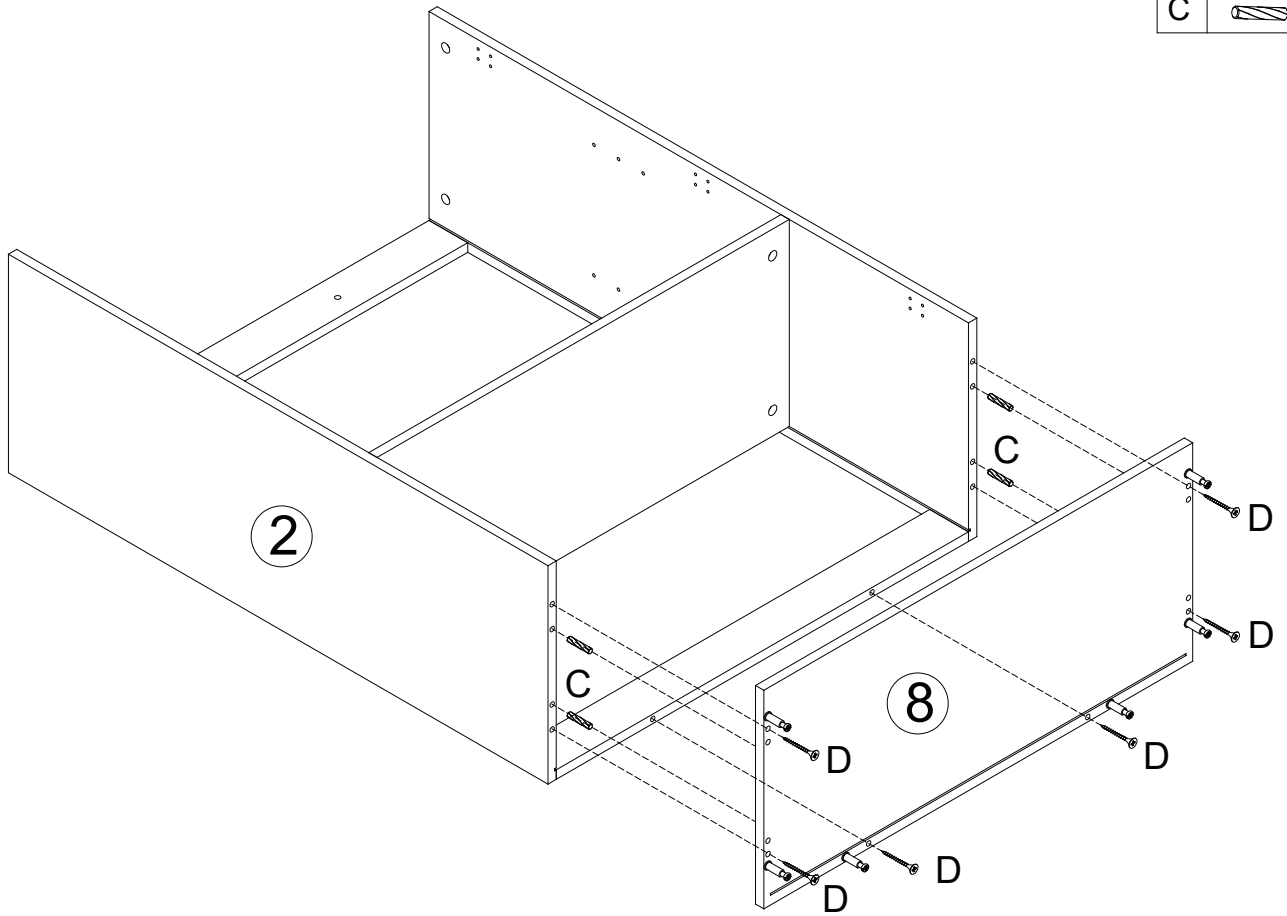
STEP 4

A		12
---	---	----



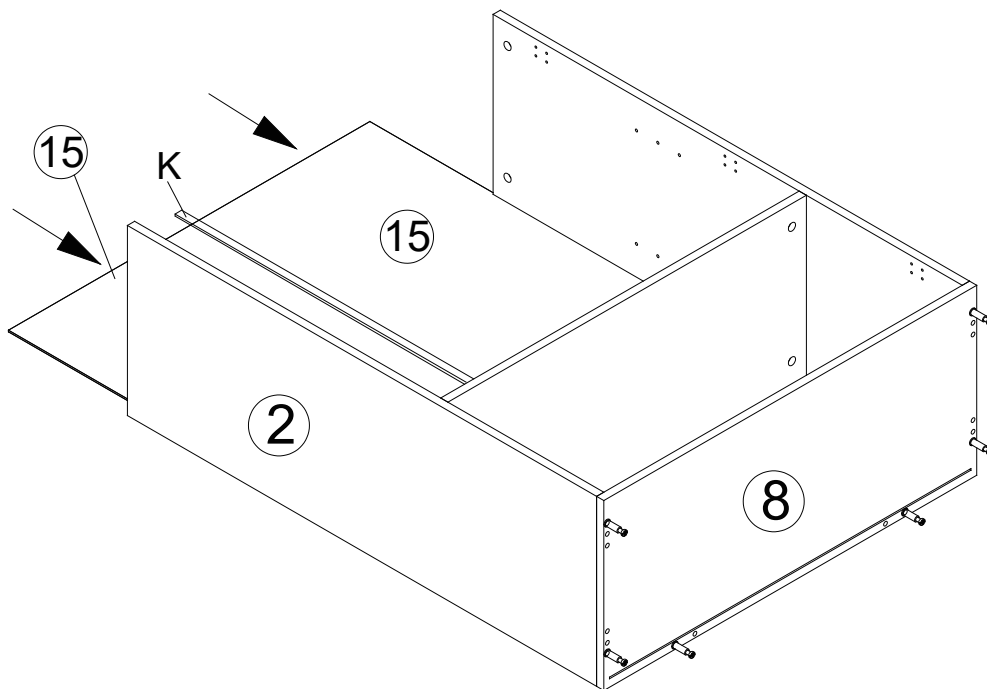
STEP 5

D		6
C		4


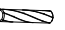


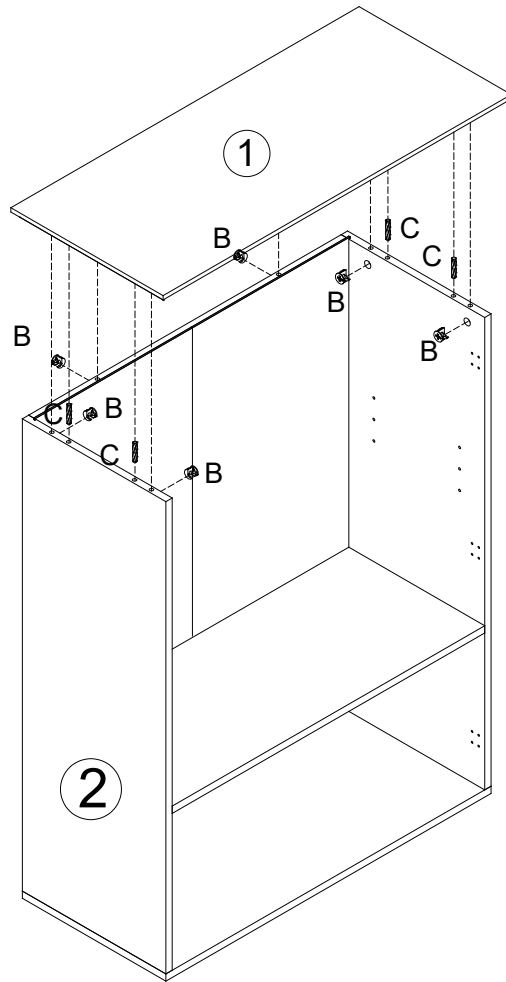
STEP 6

K		1
---	---	---

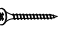


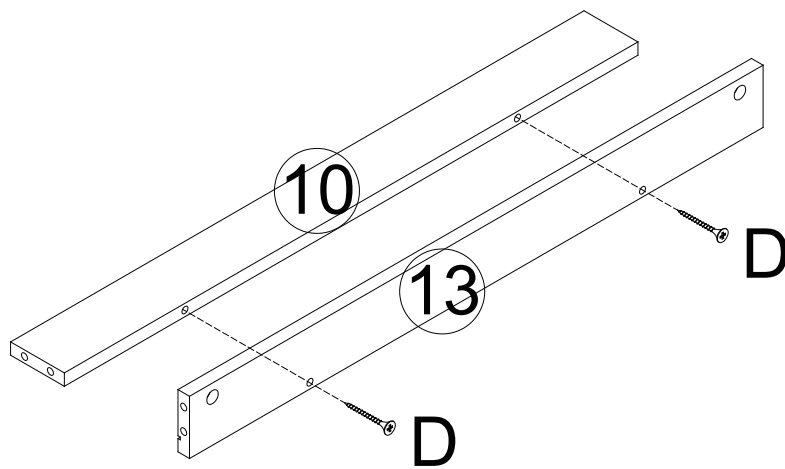
STEP 7

B		6
C		4







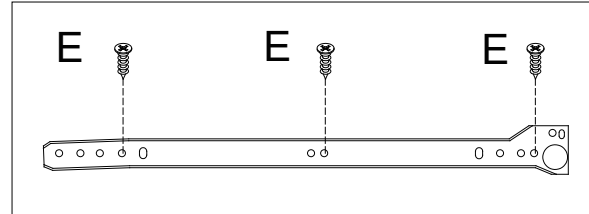
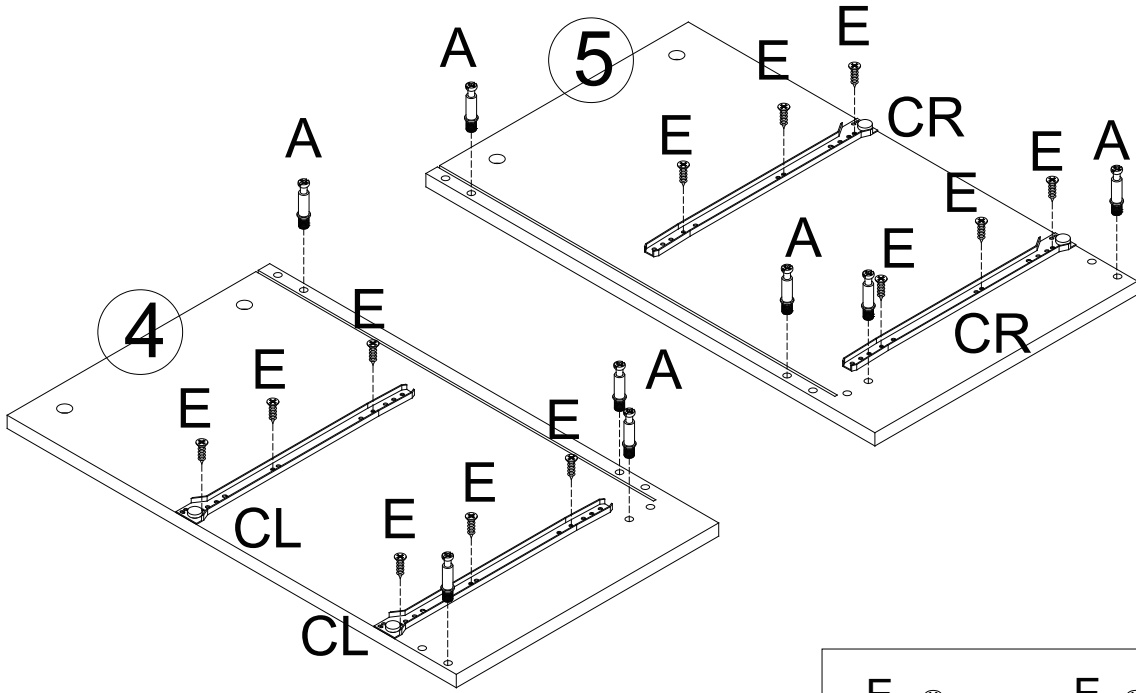
STEP 8

D		2
---	---	---





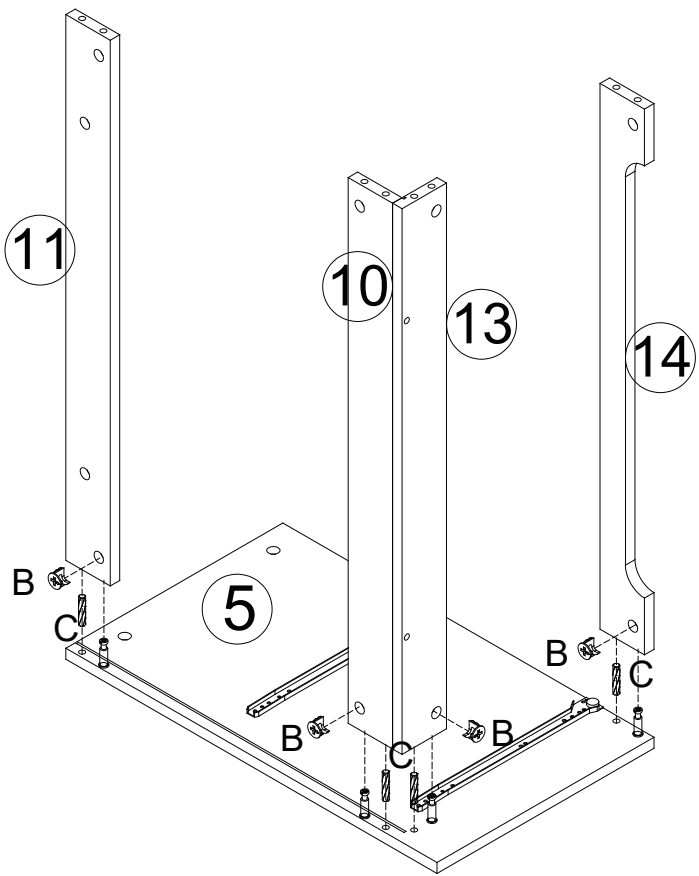
STEP 9

A		8
E		12
CL		2
CR		2





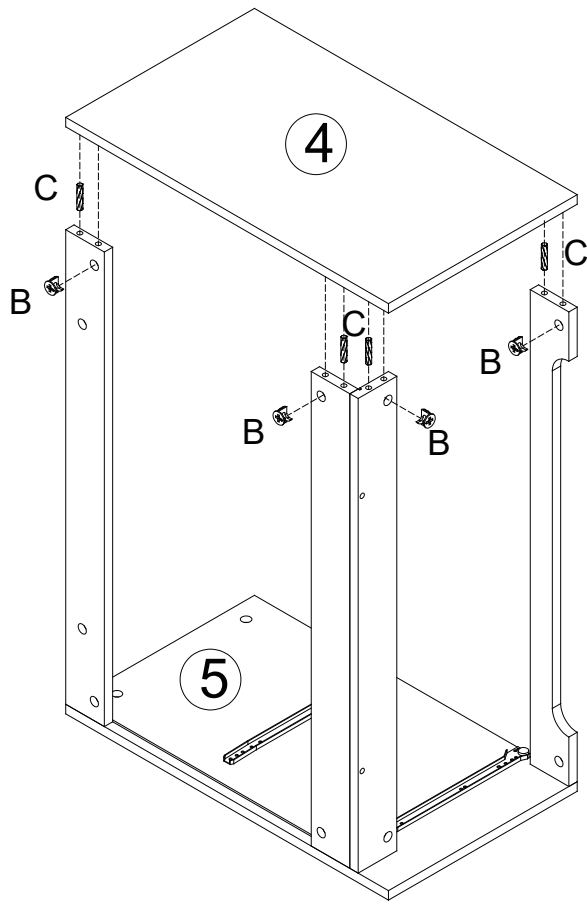
STEP 10

B		4
C		4



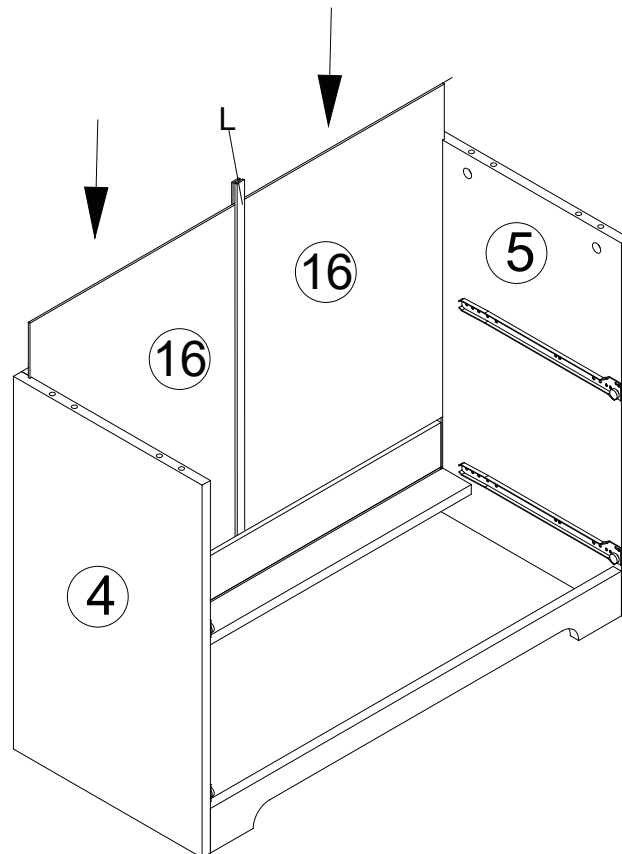
STEP 11

B		4
C		4

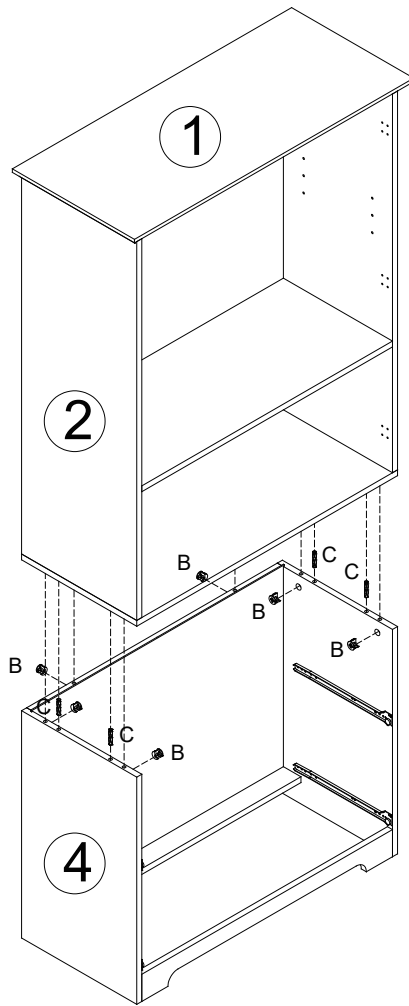


STEP 12

L		1
---	---	---

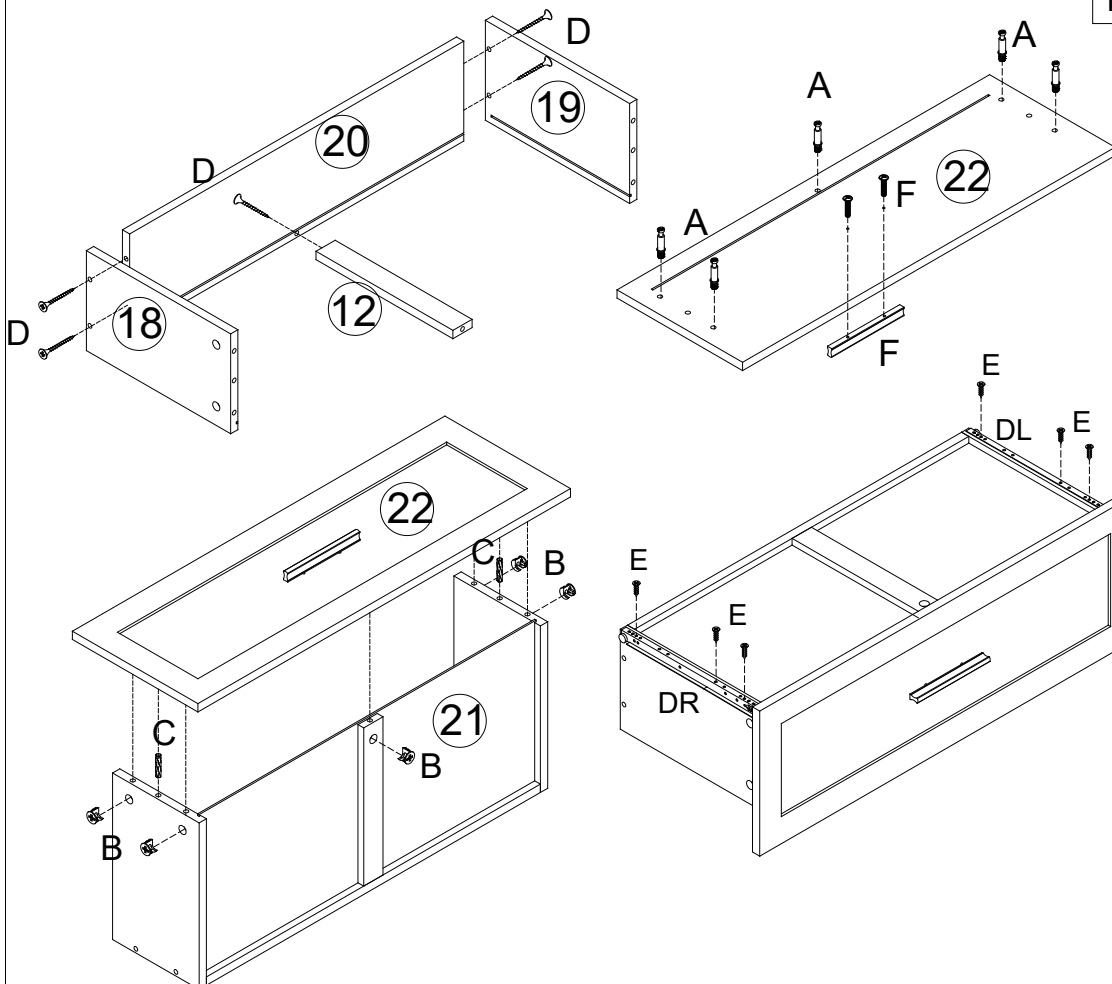


STEP 13



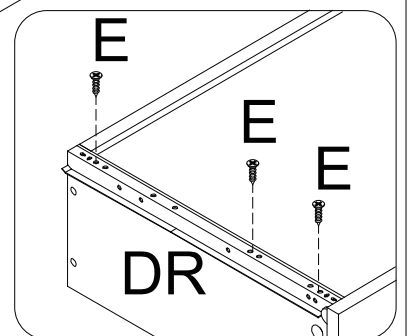
B		6
C		4

STEP 14



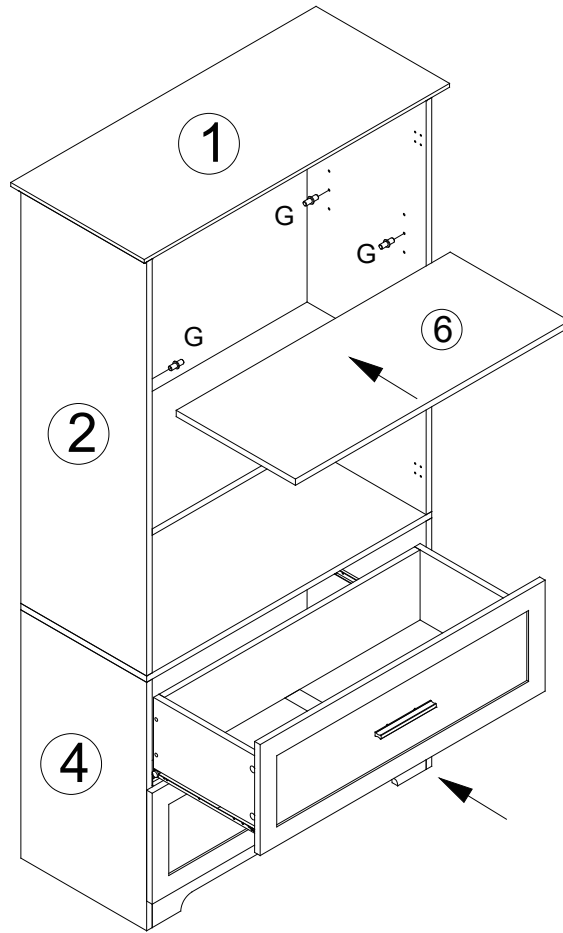
E		12	A		10
F		2	B		10
			C		4
			D		10
			DL		2
			DR		2

x2

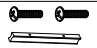




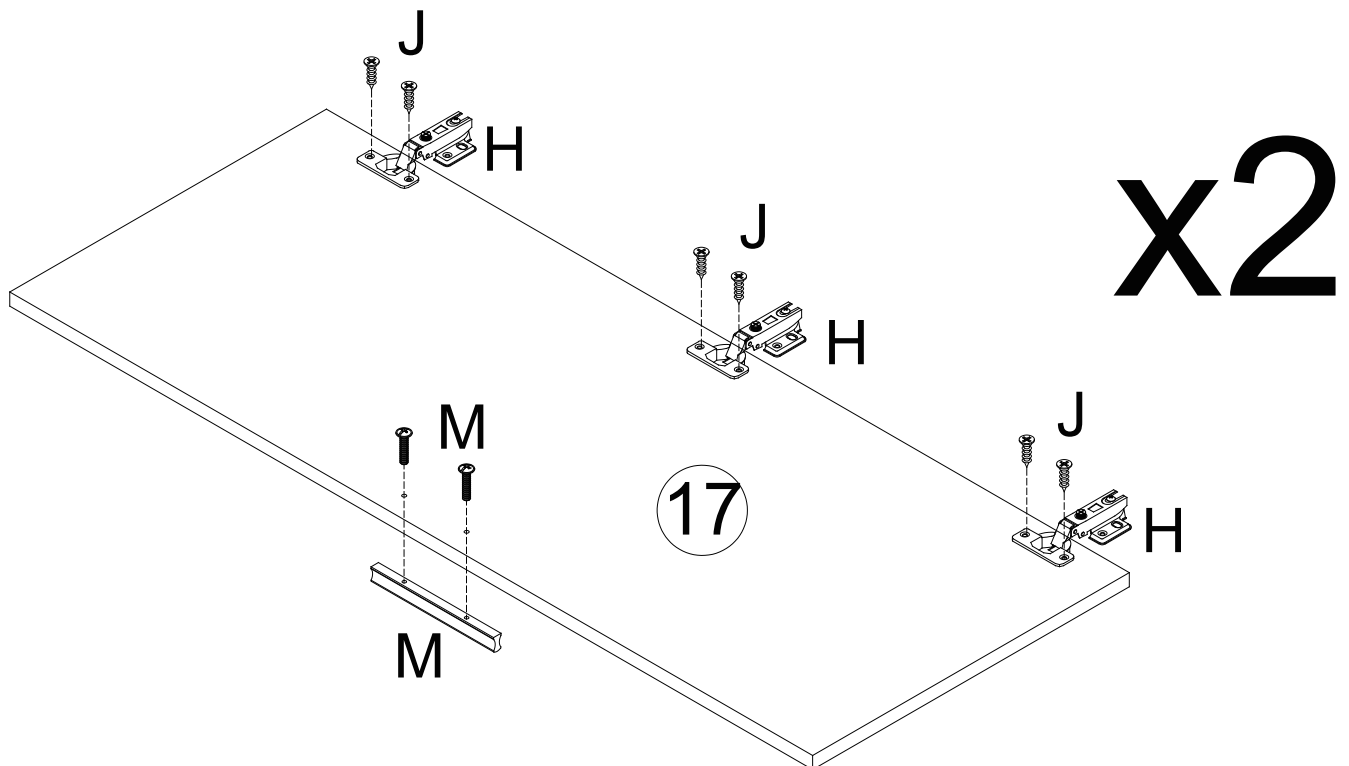
STEP 15

G		4
---	---	---

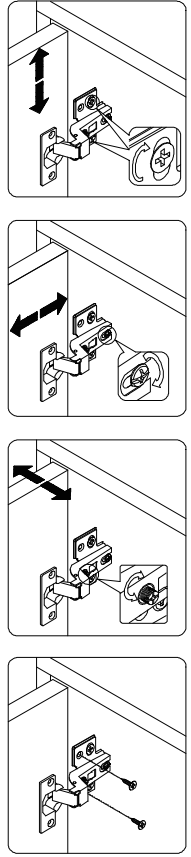
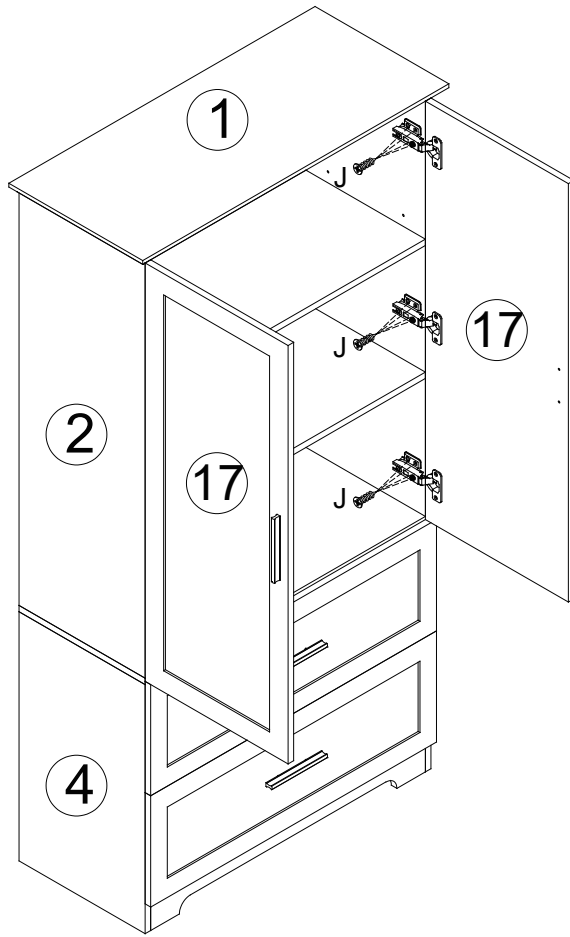


STEP 16

M		2
H		6
J		12



STEP 17



STEP 18

