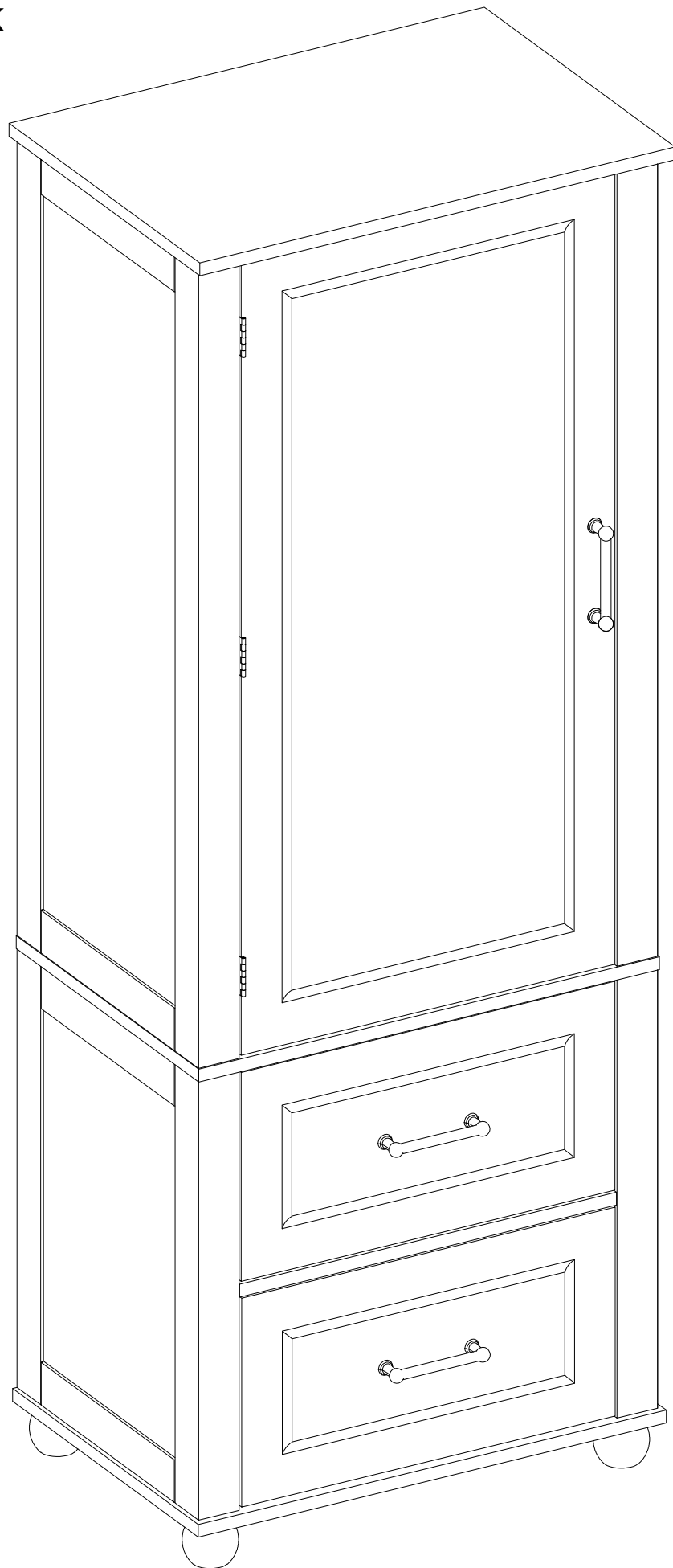


WF312728AAK

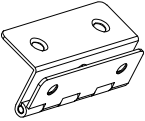
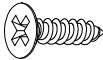
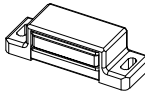
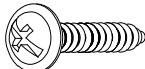

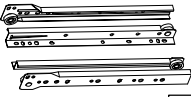
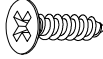
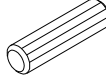
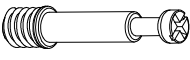

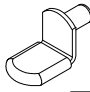
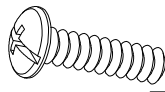

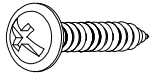



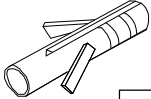

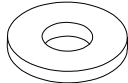






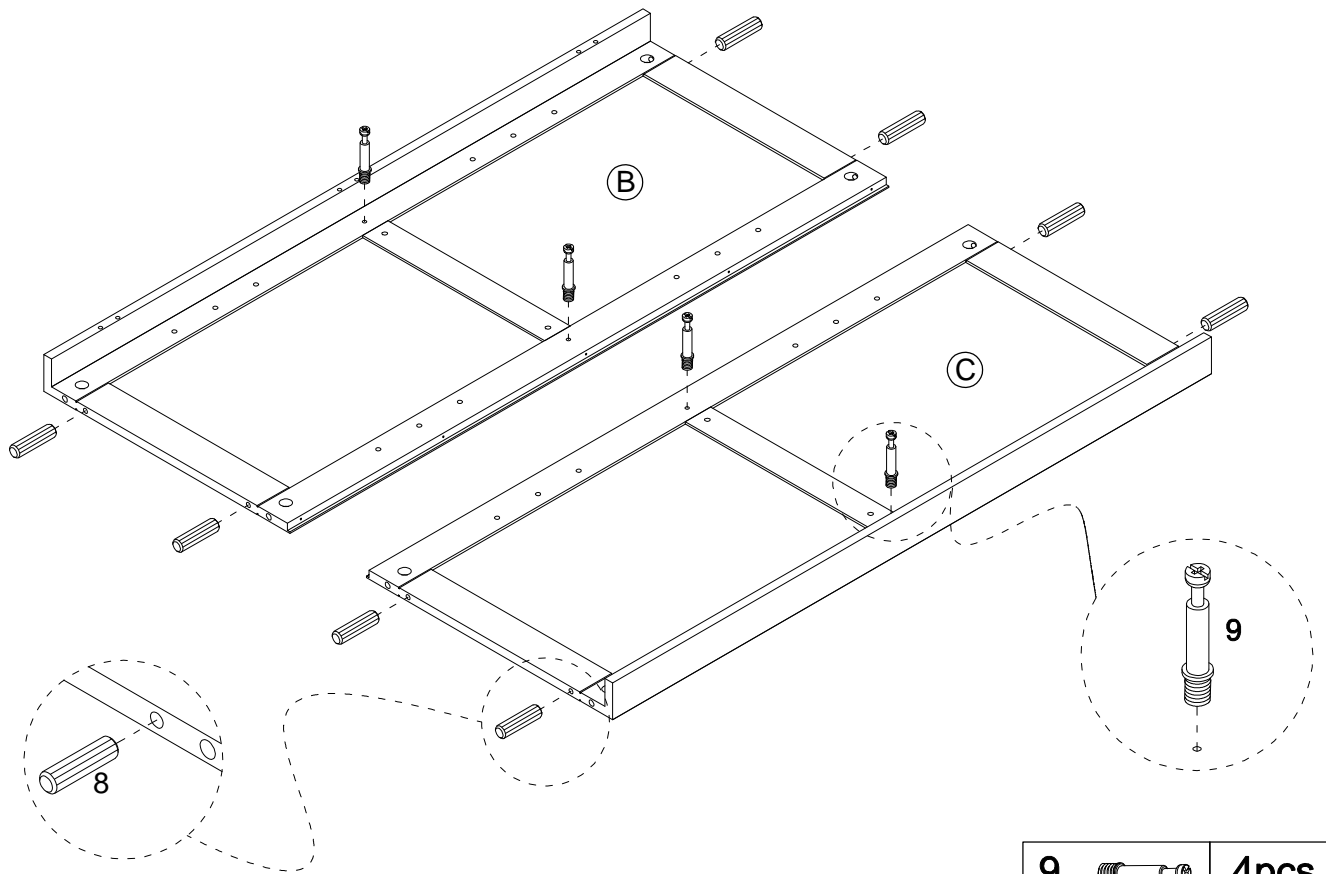
## PACKAGE CONTENTS

PART	DESCRIPTION	QTY	PART	DESCRIPTION	QTY
A	Top Panel	X1	L	Leg	X4
B	Upper Left Side Board	X1	M	Door	X1
C	Upper Right Side Board	X1	N	Drawer Front Panel	X2
D	Adjustable Shelf	X2	O	Drawer Left Side Panel	X2
E	Fix Shelf	X1	P	Drawer Right Side Panel	X2
F	Middle Panel	X1	Q	Drawer Back Panel	X2
G	Bottom Left Side Board	X1	R	Drawer Bottom Panel	X2
H	Bottom Right Side Board	X1	S	Upper Back Panel	X2
I	Middle Bar	X1	T	Bottom Back Panel	X2
K	Bottom Panel	X1			

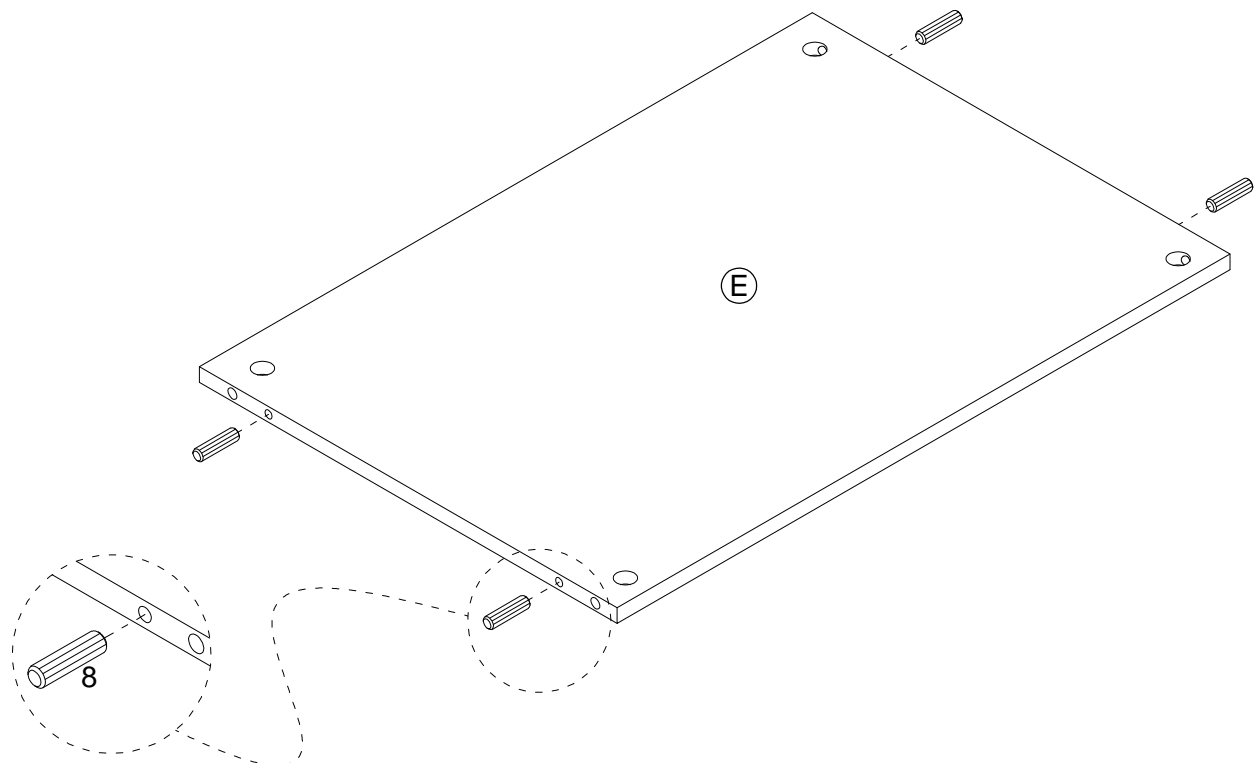
## HARDWARE CONTENTS

1  3PCS	2  Ø3*10mm 13PCS	3  1PC	4  Ø3*15mm 2PCS
5  1PC	6  2SET	7  D6*Ø3*10mm 28+1PCS	8  Ø6*30mm 24+1PCS
9  Ø6*33mm 22+1PCS	10  Ø15*9mm 22+1PCS	11  Ø6*29*13mm 8PCS	12  5/32"*18mm 6PCS
13  3PCS	14  Ø3*12mm 28+1PCS	15  Ø4*25mm 16+1PCS	16  Ø4*35mm 1PC
17  Ø4*20mm 1PC	18  Ø8*40mm 1PC	19  1PC	20  Ø6*M6*1mm 2PCS
21  935*12*6.5mm 1PC	22  510*12*6.5mm 1PC		

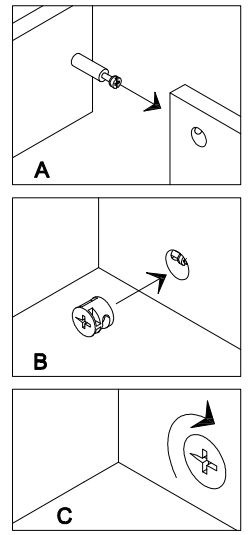
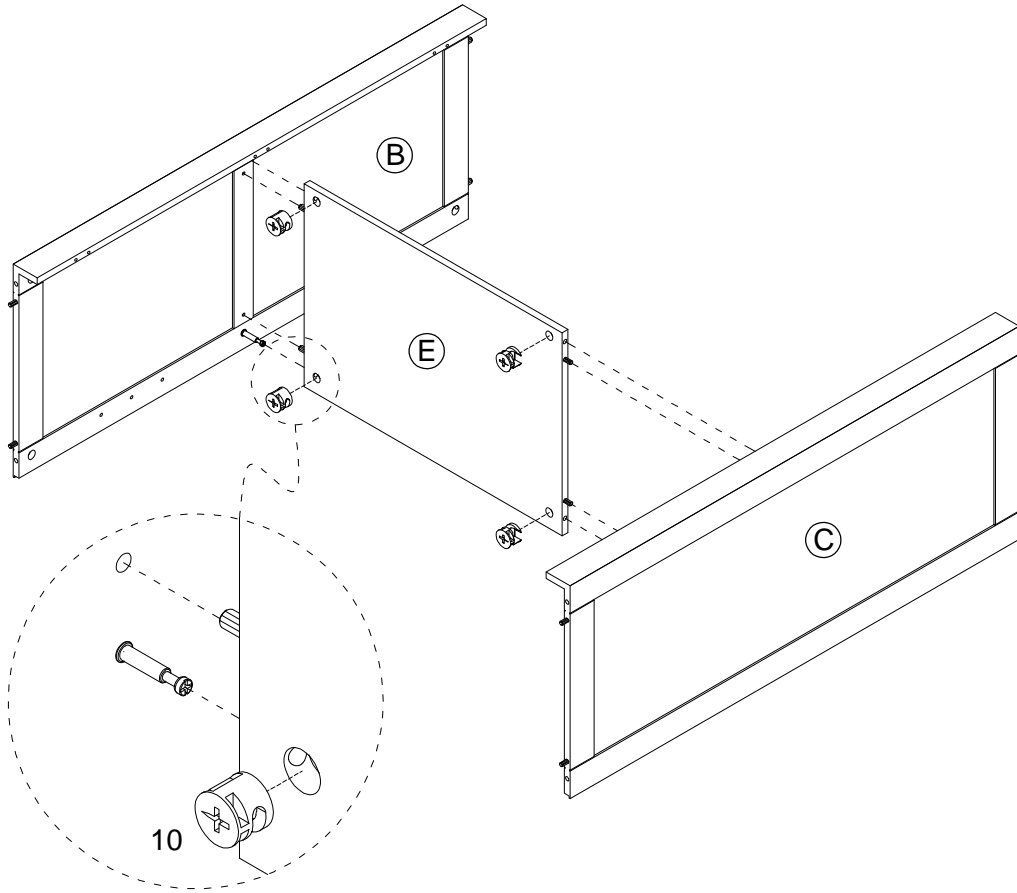
# STEP 1




# STEP 2

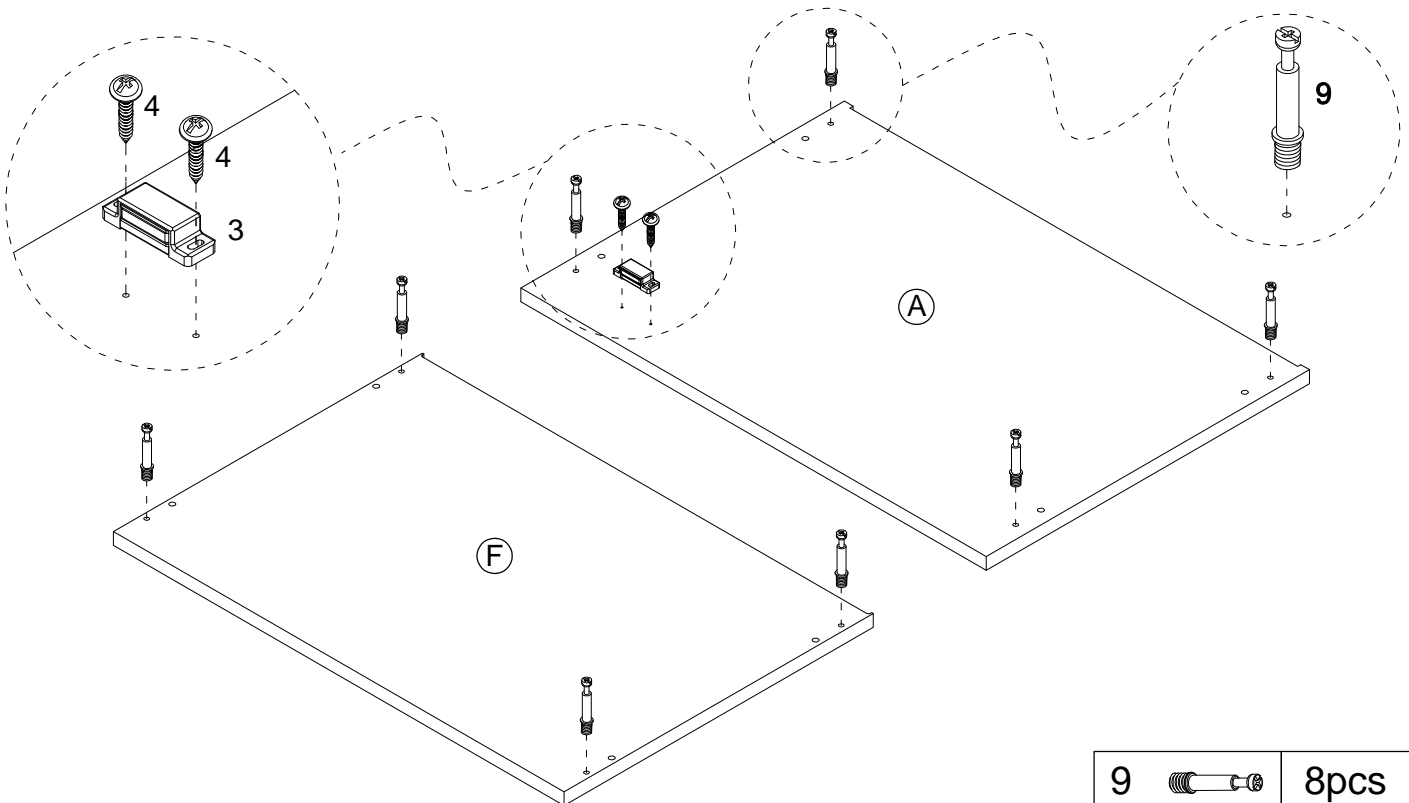





# STEP 3



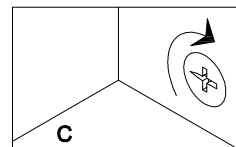
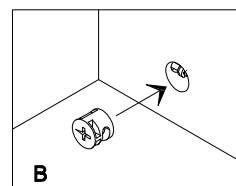
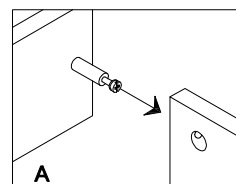
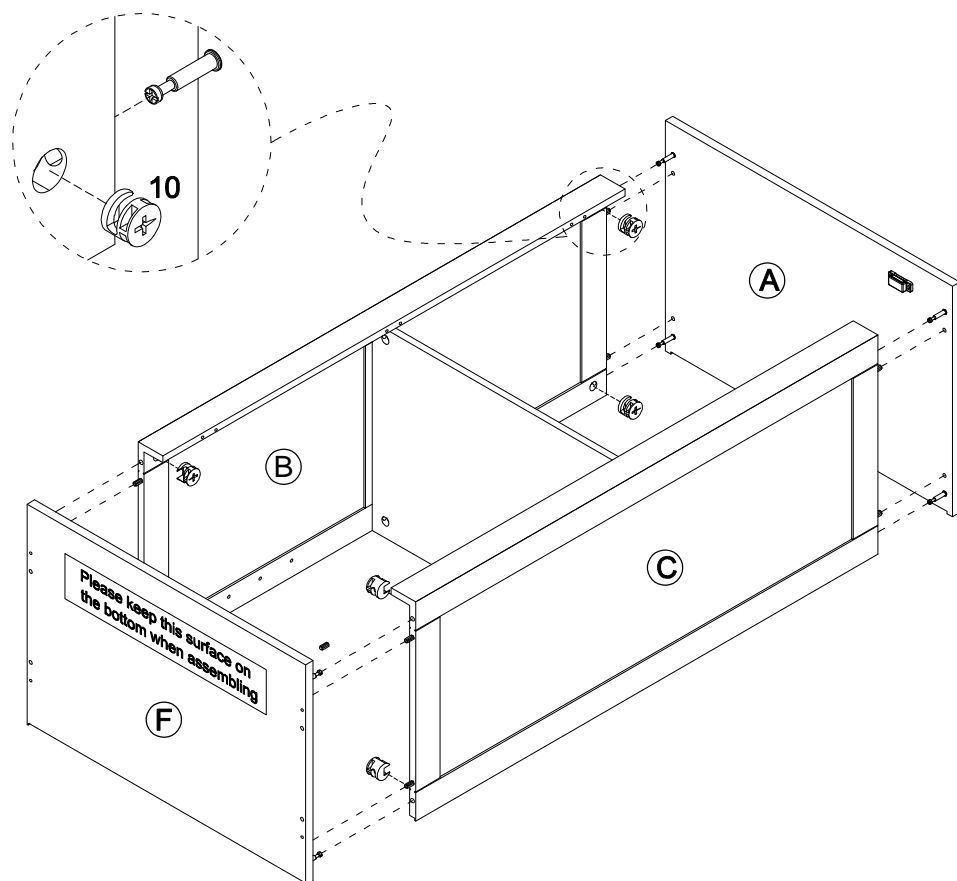
10		4pcs
----	---	------

# STEP 4



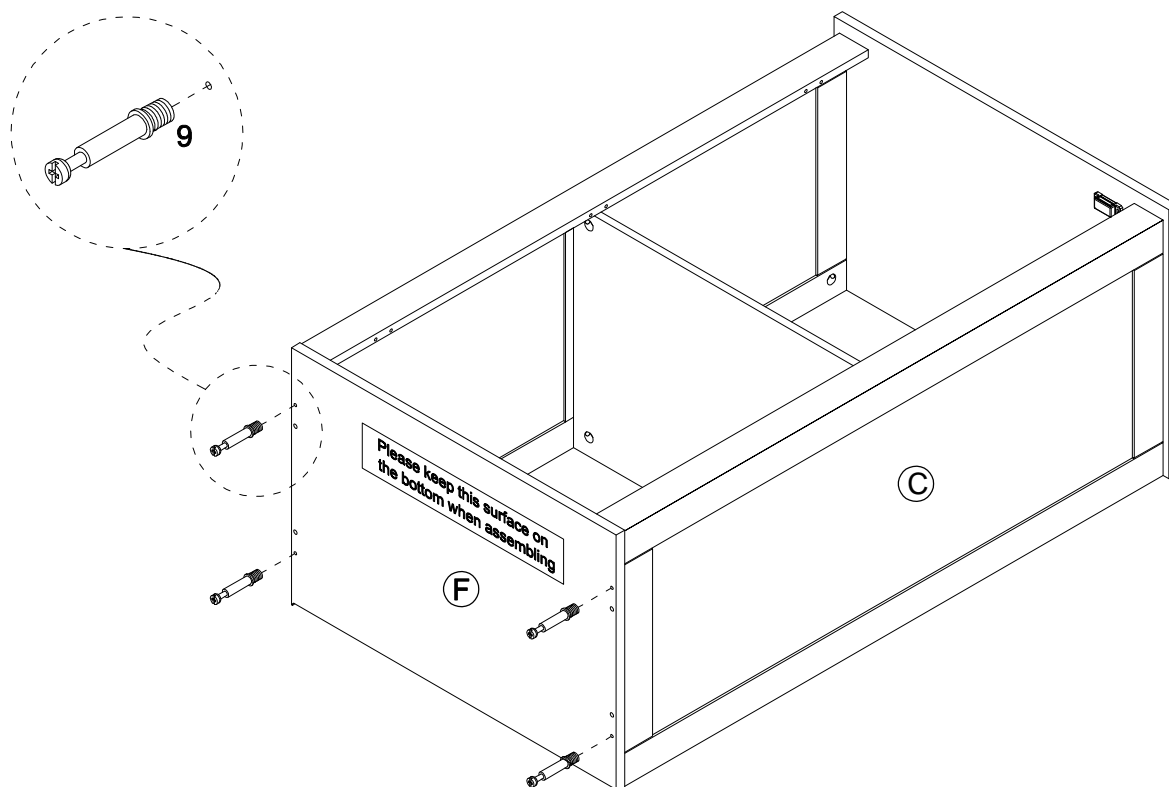
9		8pcs
3		1pc
4		2pcs

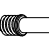
# STEP 5



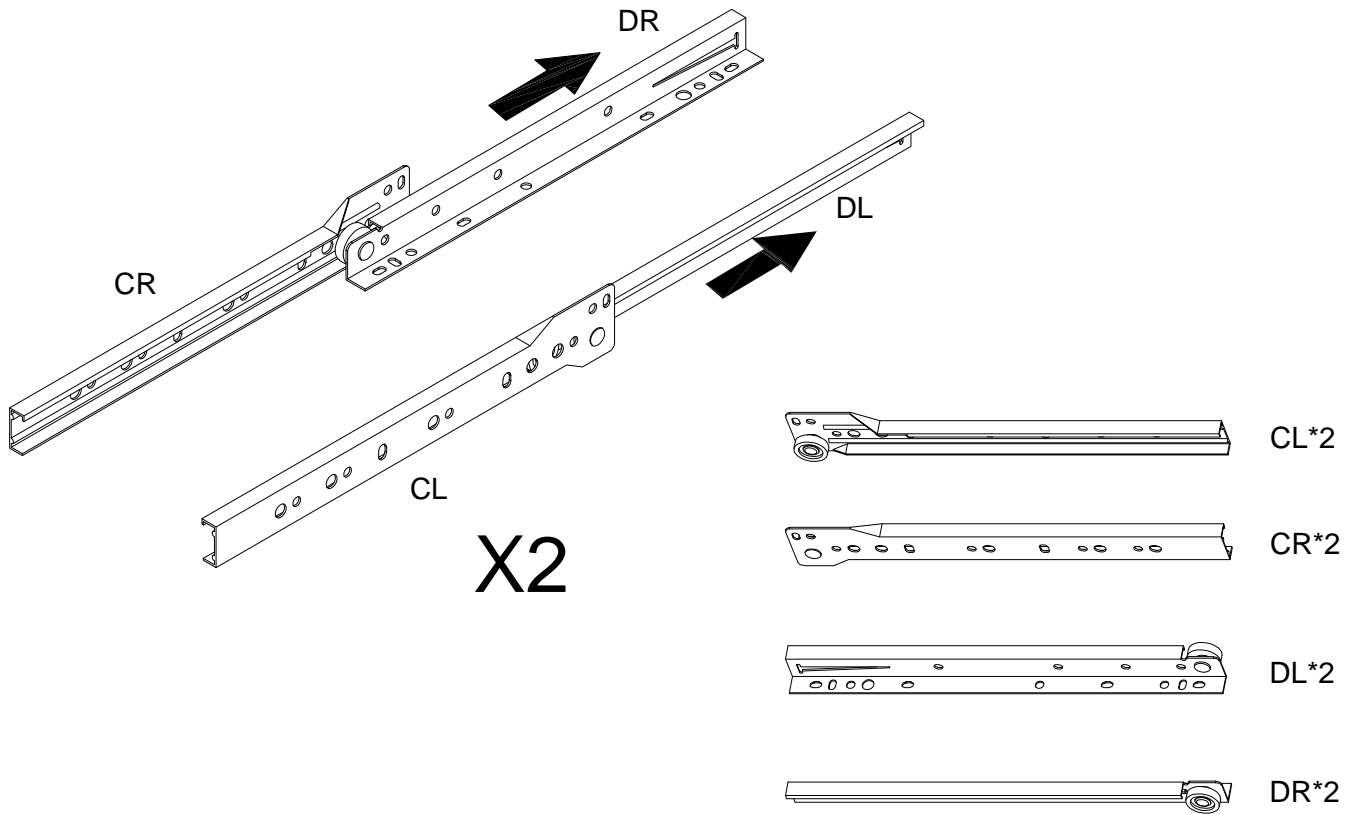
10		8pcs
----	---	------

# STEP 6



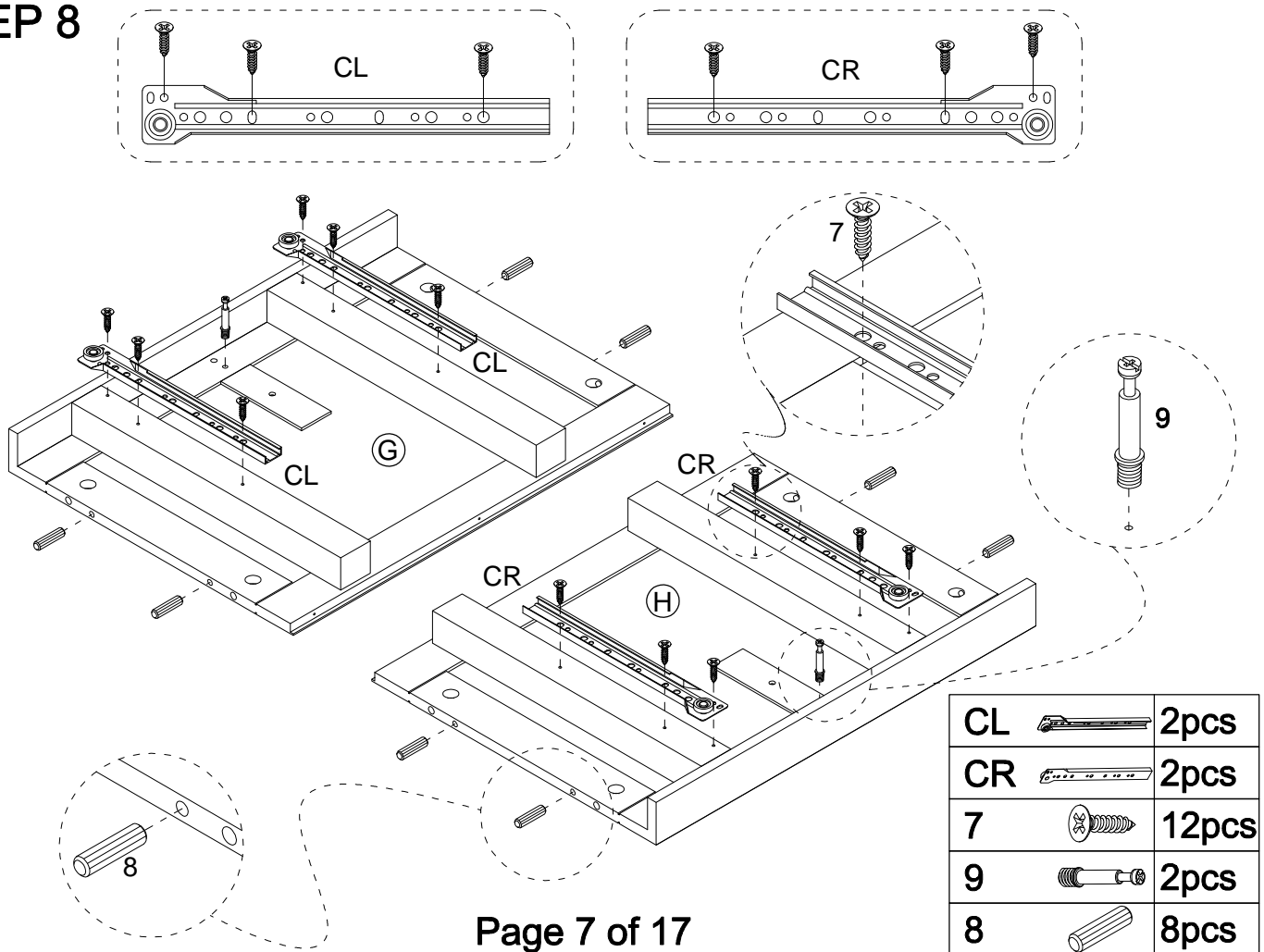
9		4pcs
---	---	------

# STEP 7



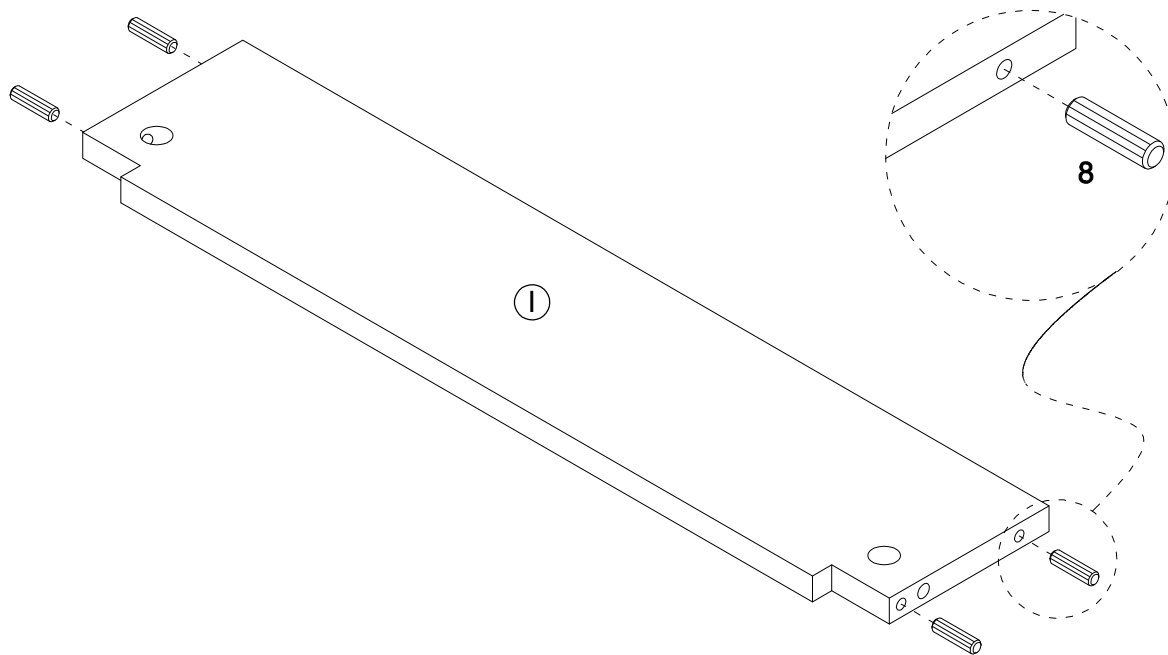
6		2set
---	--	------

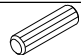
# STEP 8



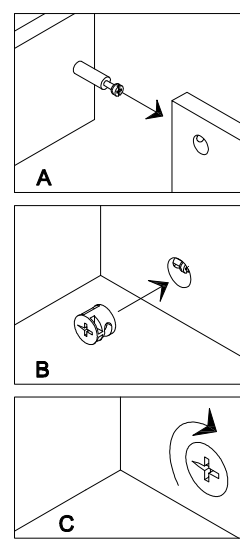
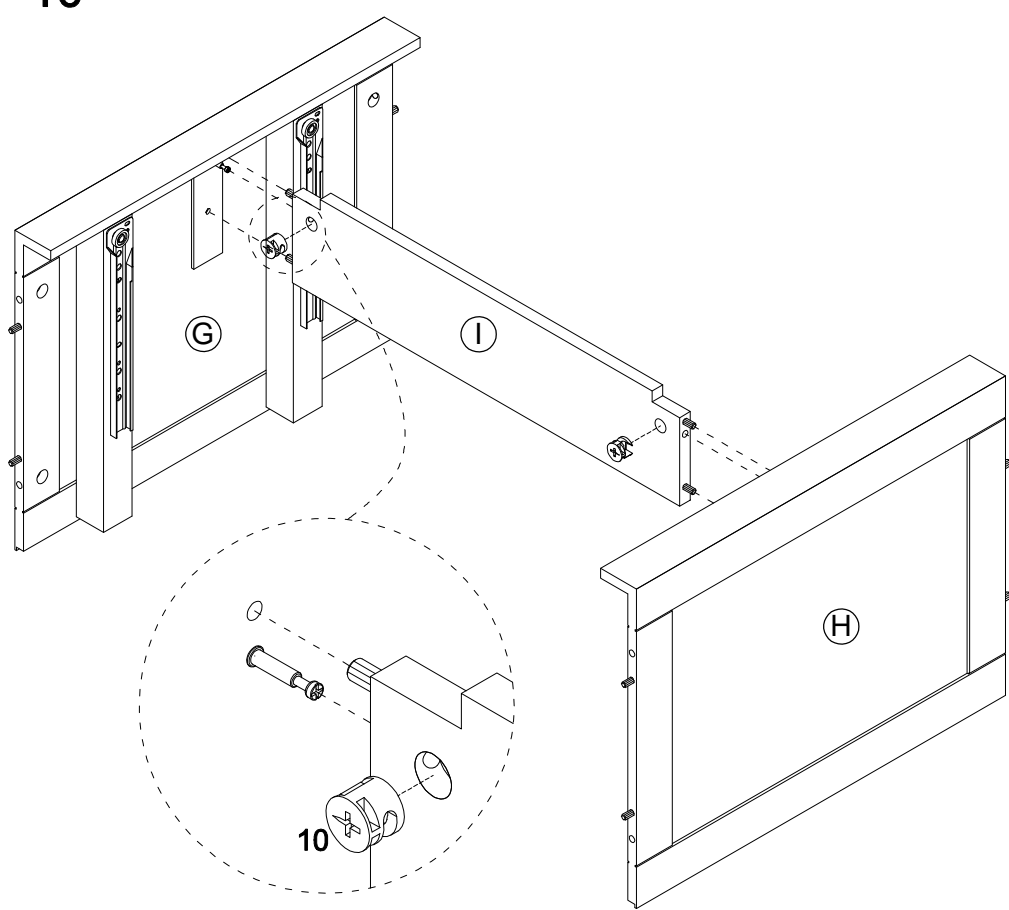
CL		2pcs
CR		2pcs
7		12pcs
9		2pcs
8		8pcs


# STEP 9



8		4pcs
---	---	------

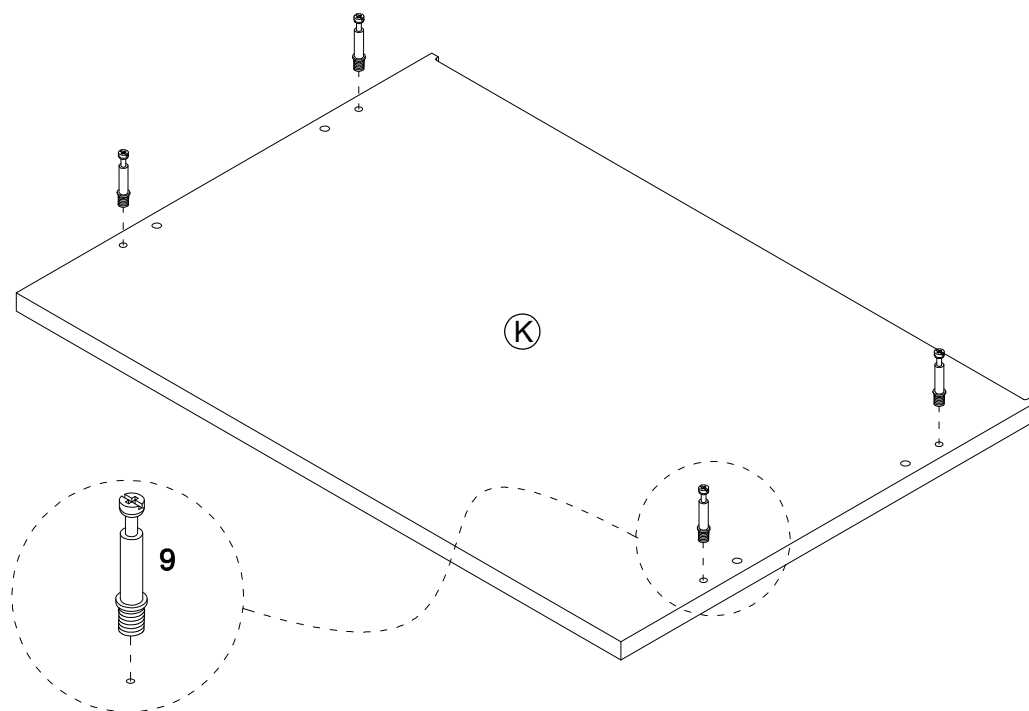
# STEP 10

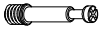


10		2pcs
----	---	------

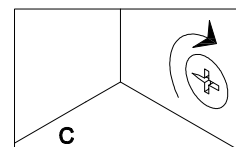
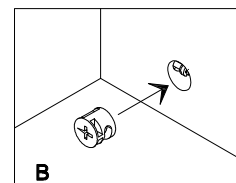
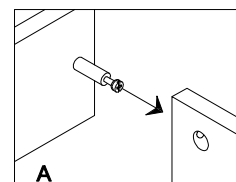
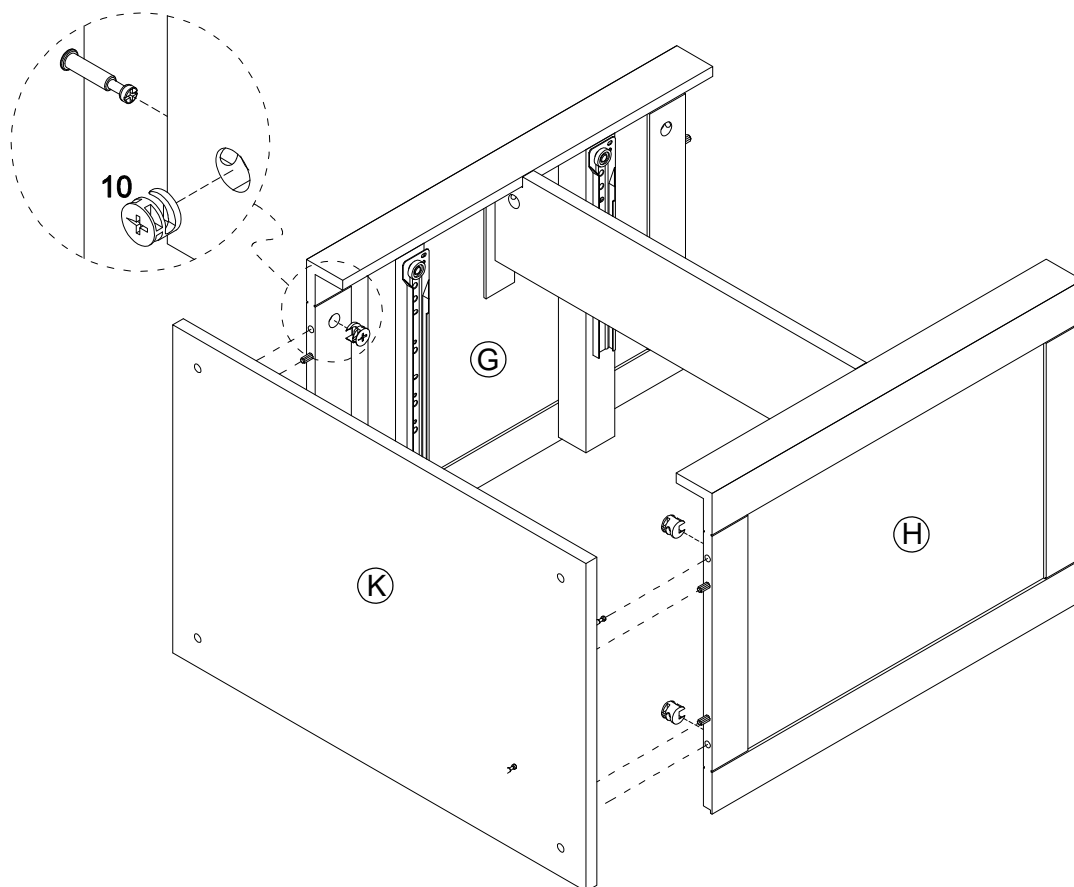


# STEP 11



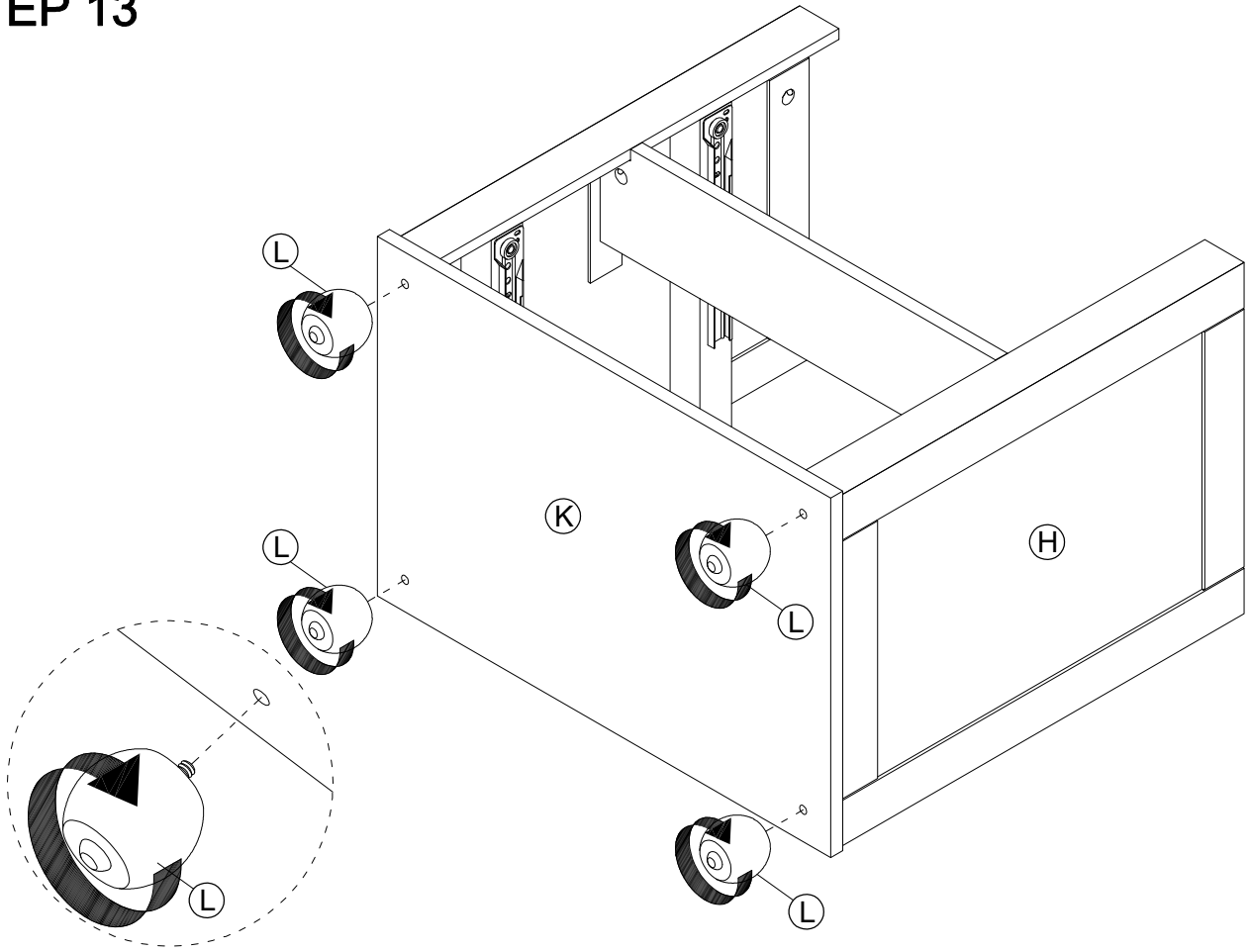
9		4pcs
---	---	------

# STEP 12

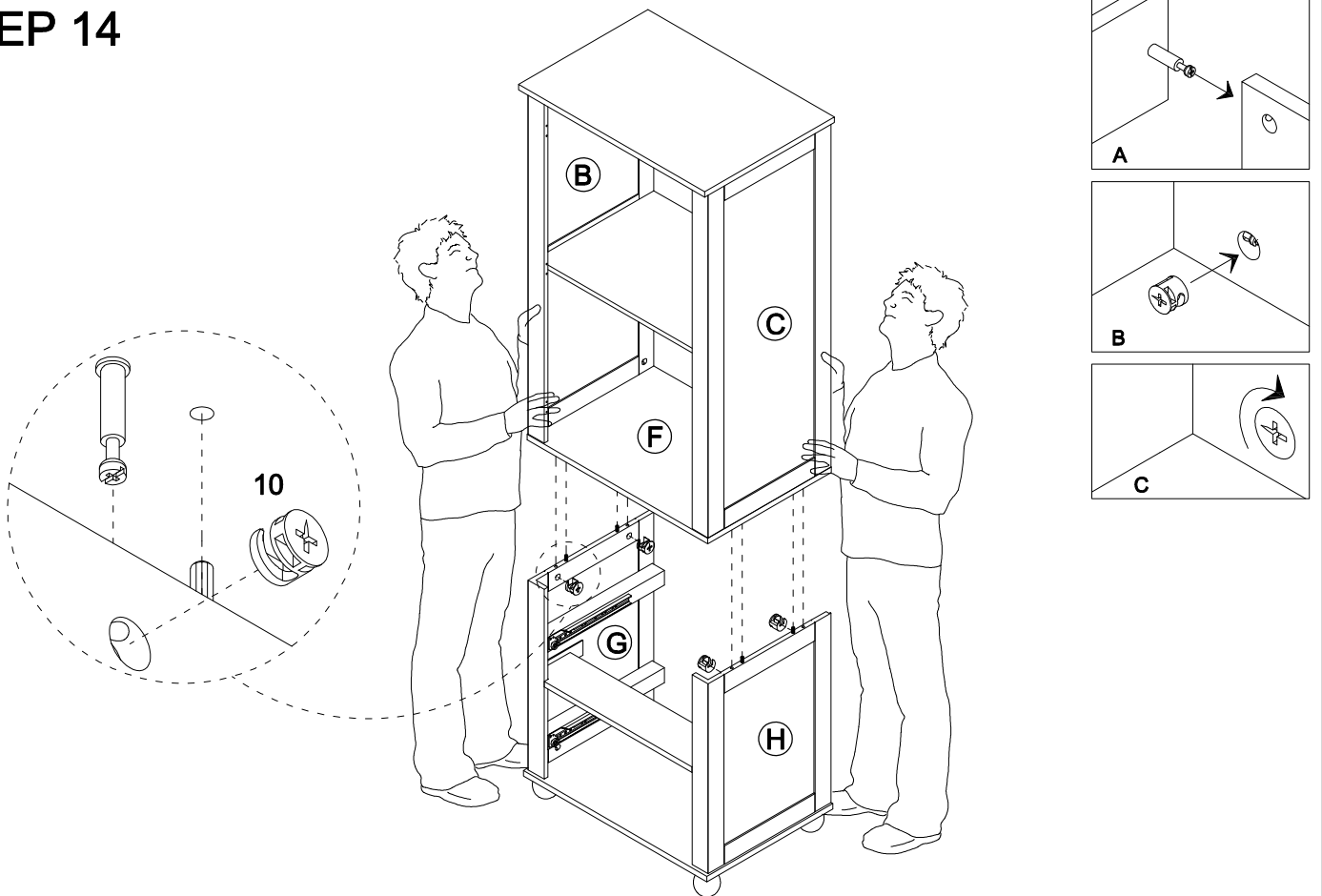


10		4pcs
----	---	------

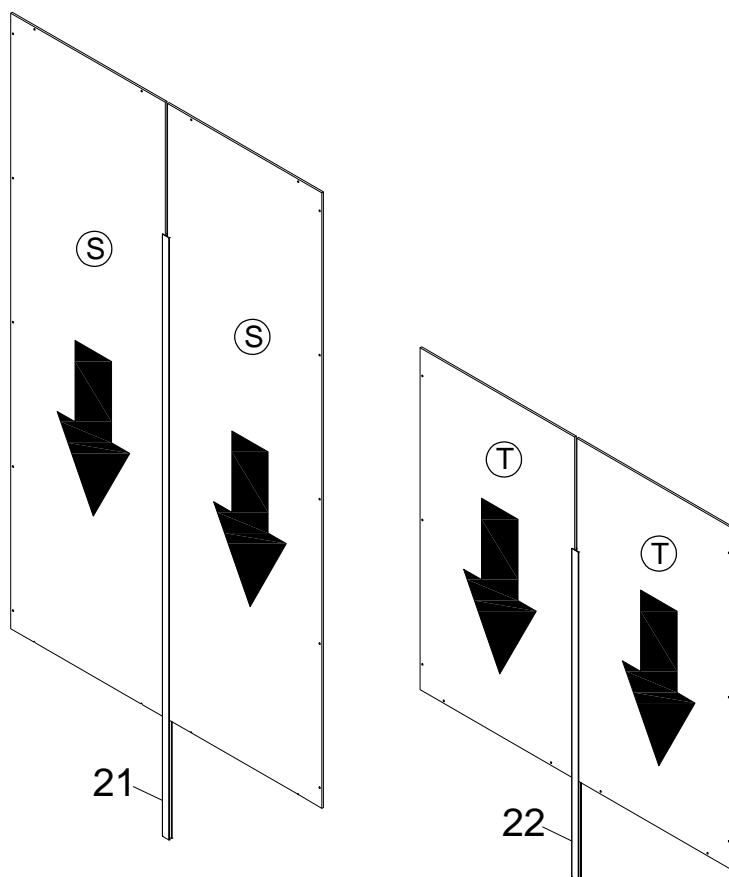
# STEP 13

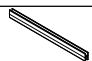



# STEP 14

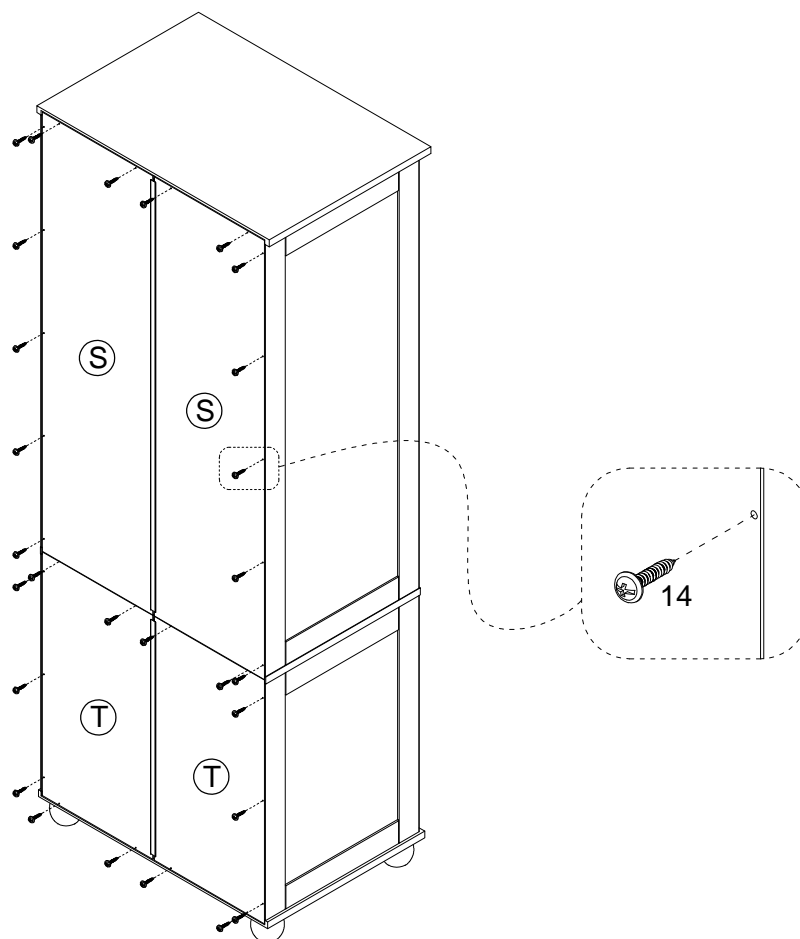


# STEP 15

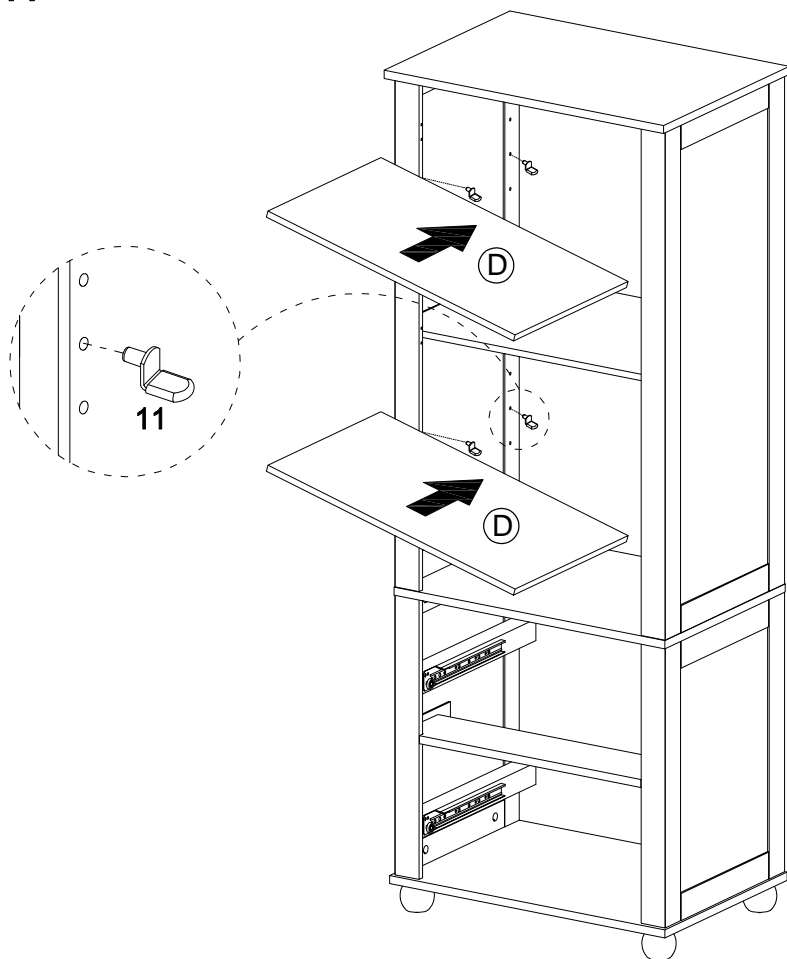


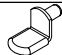
21		1pc
22		1pc

# STEP 16

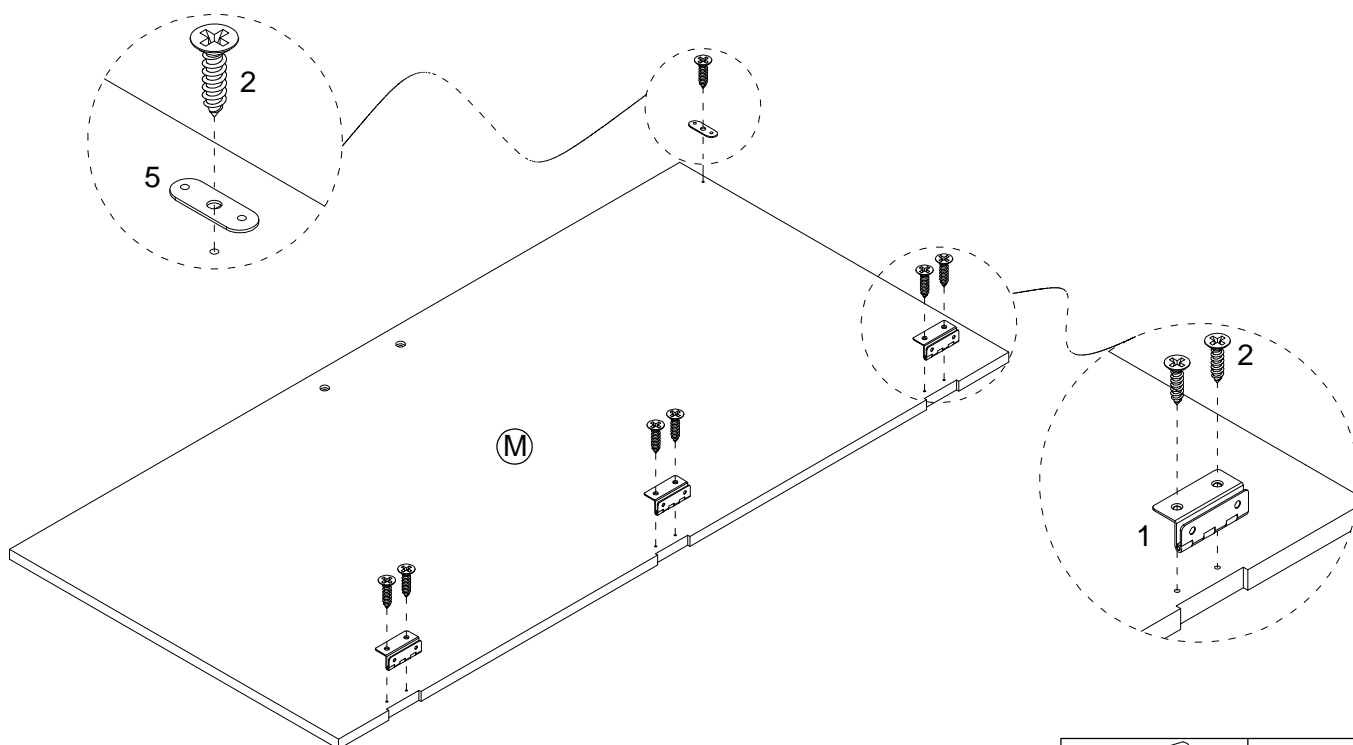



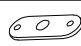

# STEP 17



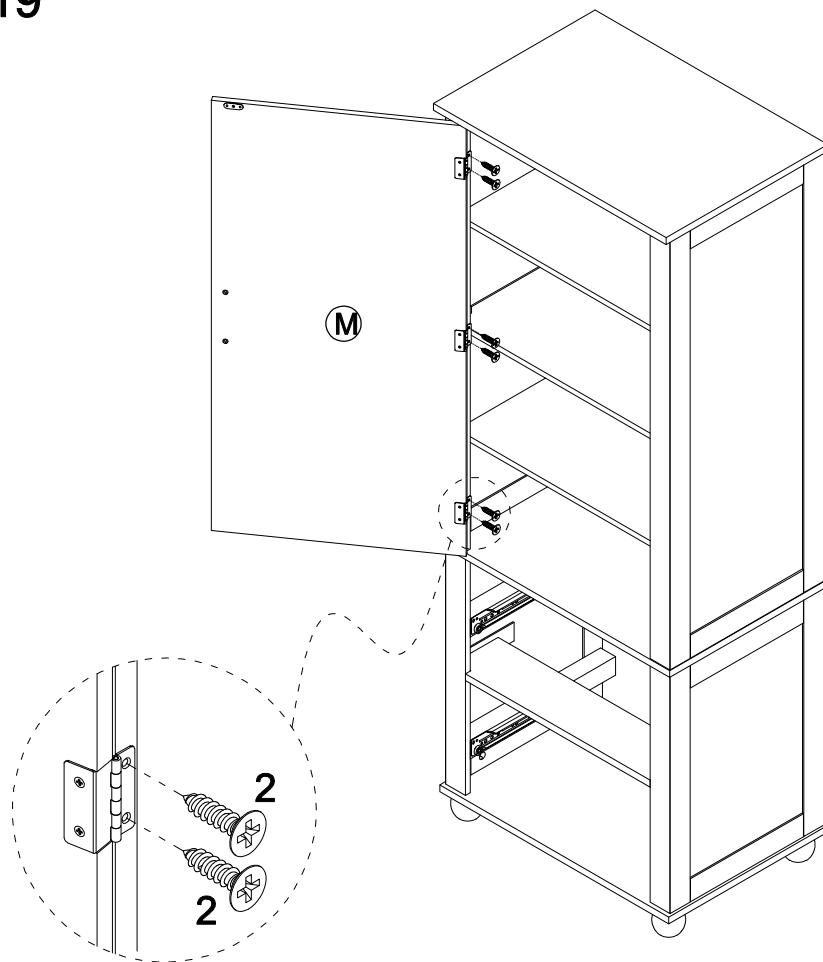
11		8pcs
----	---	------


# STEP 18



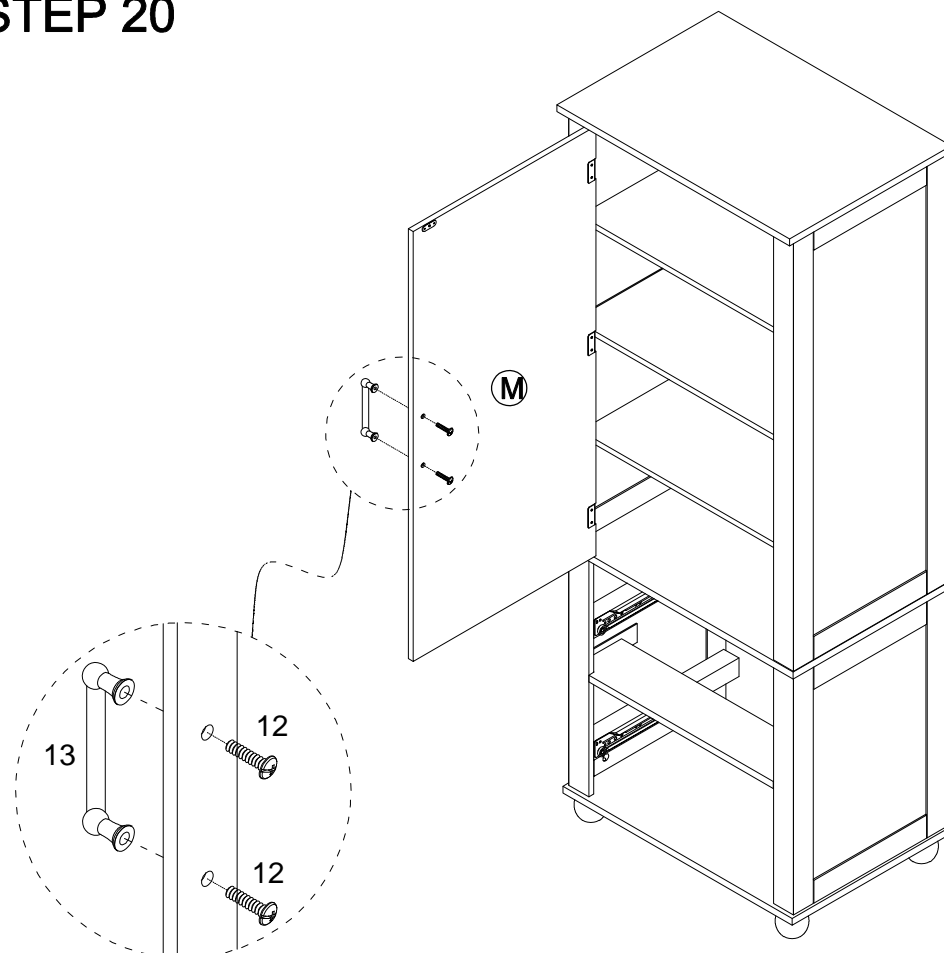
1		3pcs
5		1pc
2		7pcs



# STEP 19



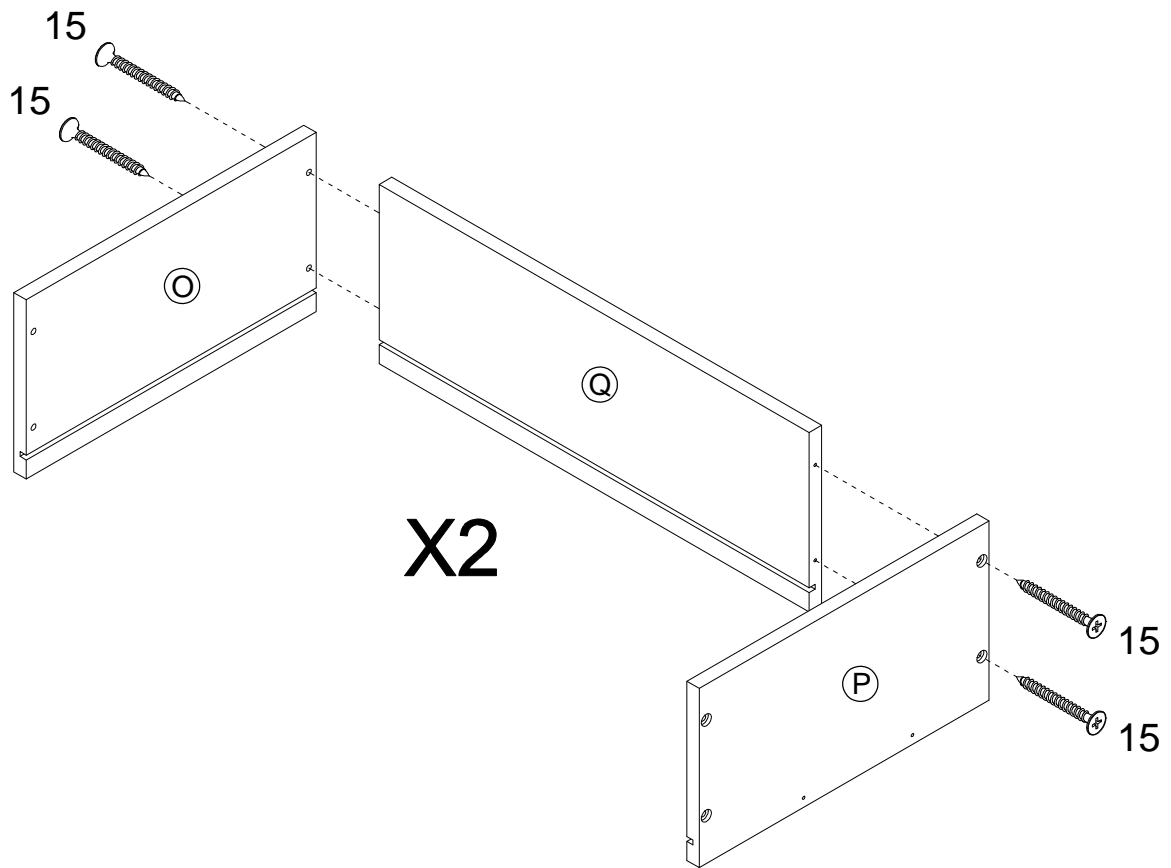
2		6pcs
---	---	------


# STEP 20



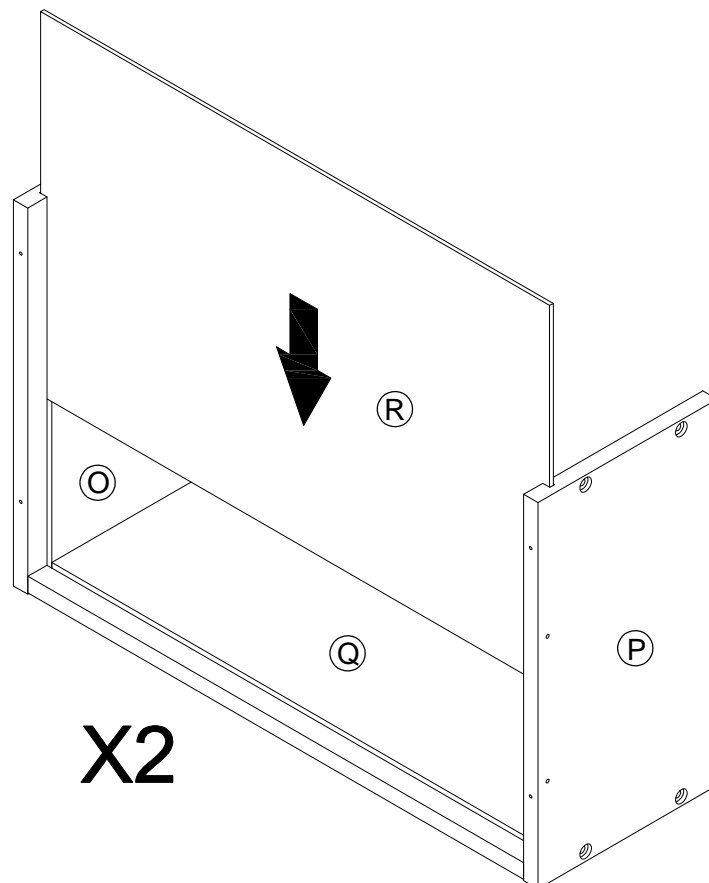
12		2pcs
13		1pc

## STEP 21

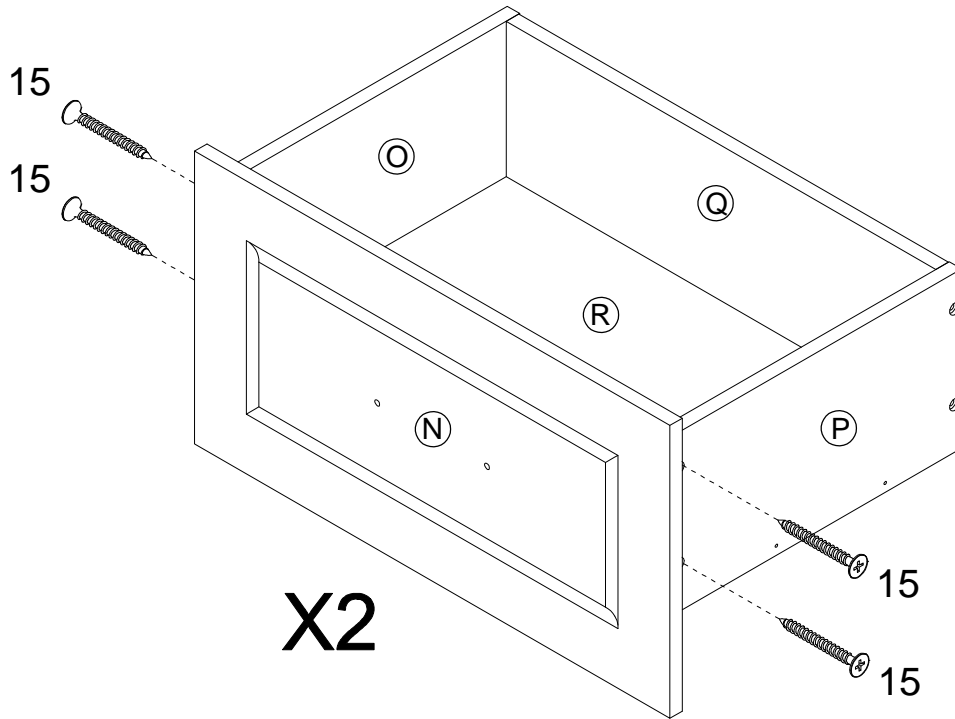



15		8pcs
----	---	------

## STEP 22

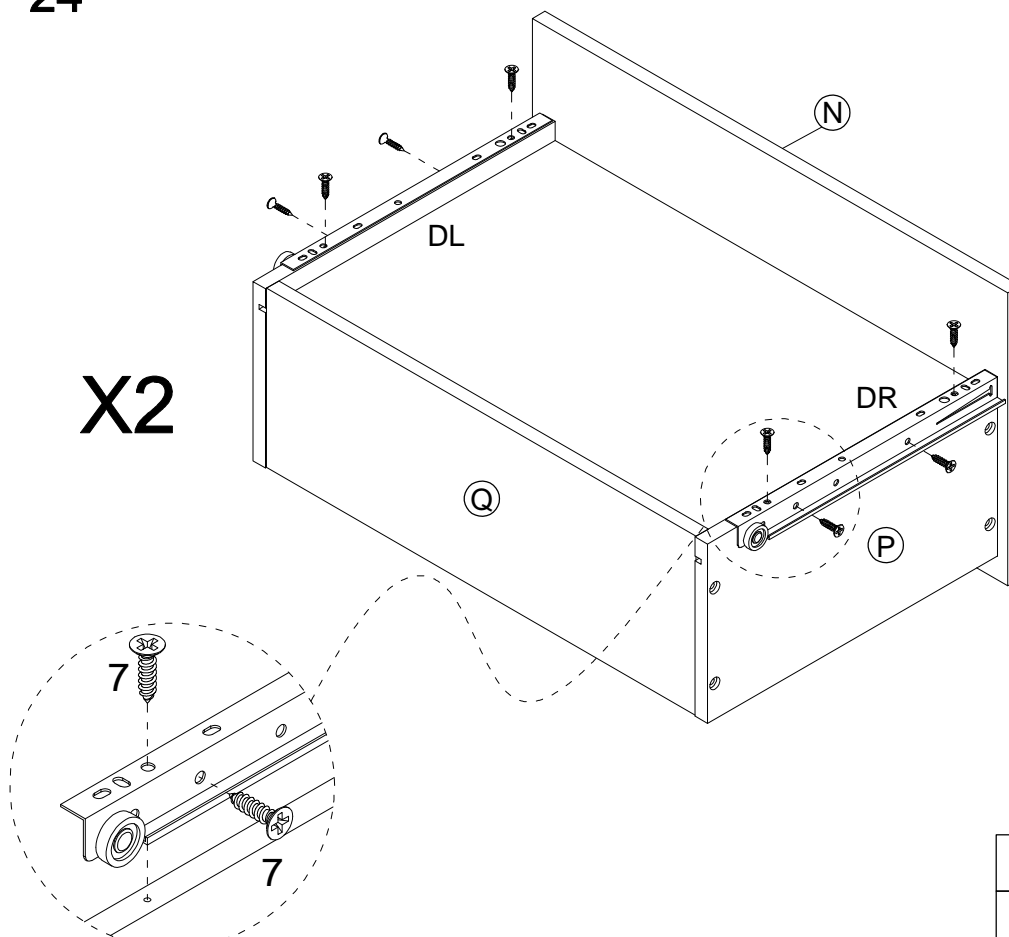


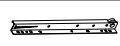


# STEP 23



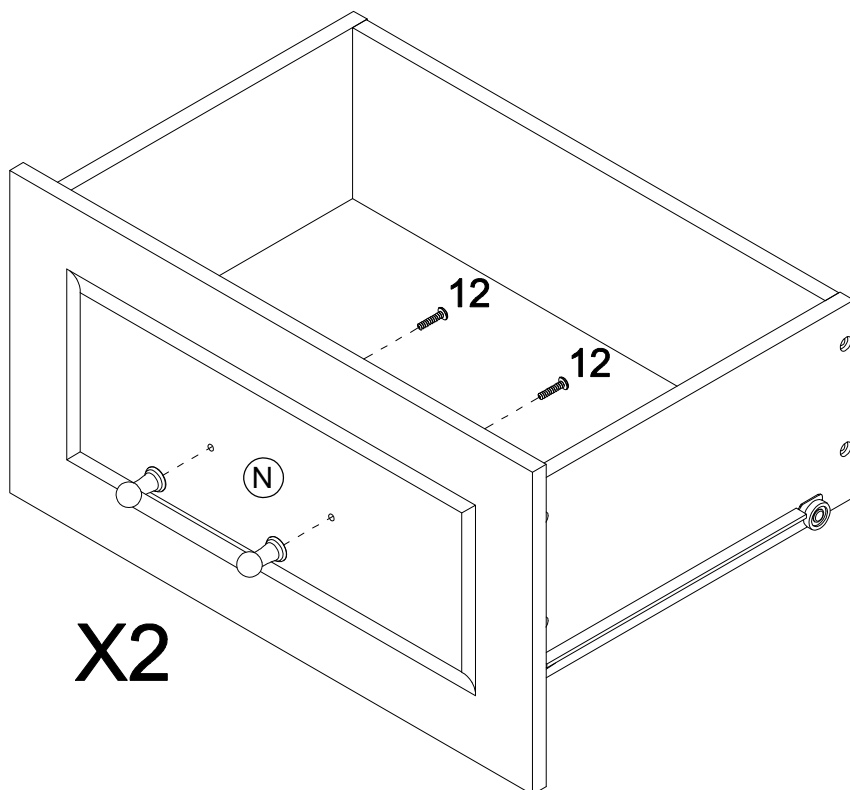
15		8pcs
----	---	------



# STEP 24



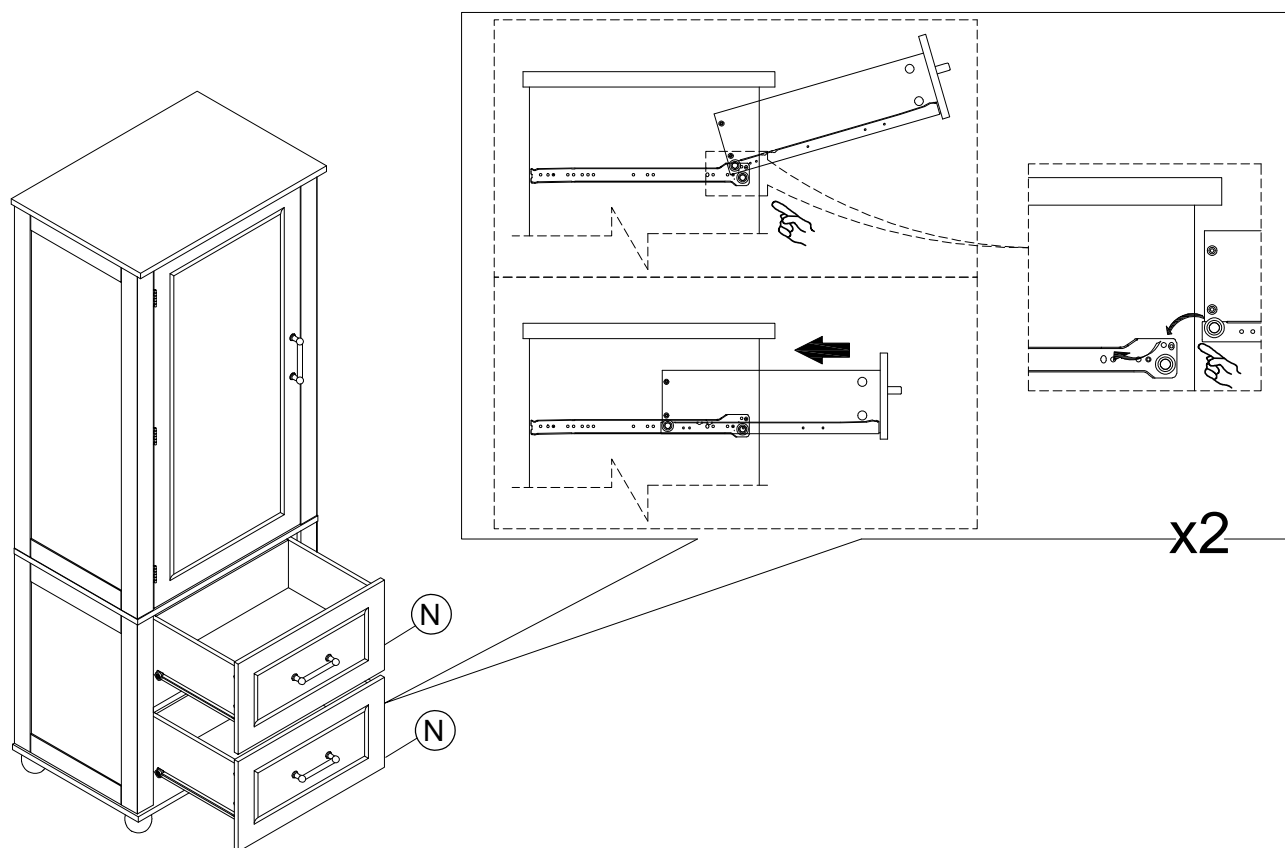
DL		2pcs
DR		2pcs
7		16pcs

# STEP 25



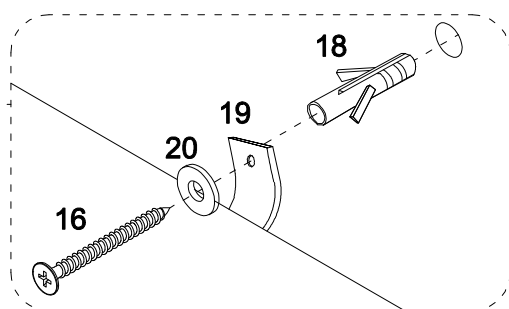
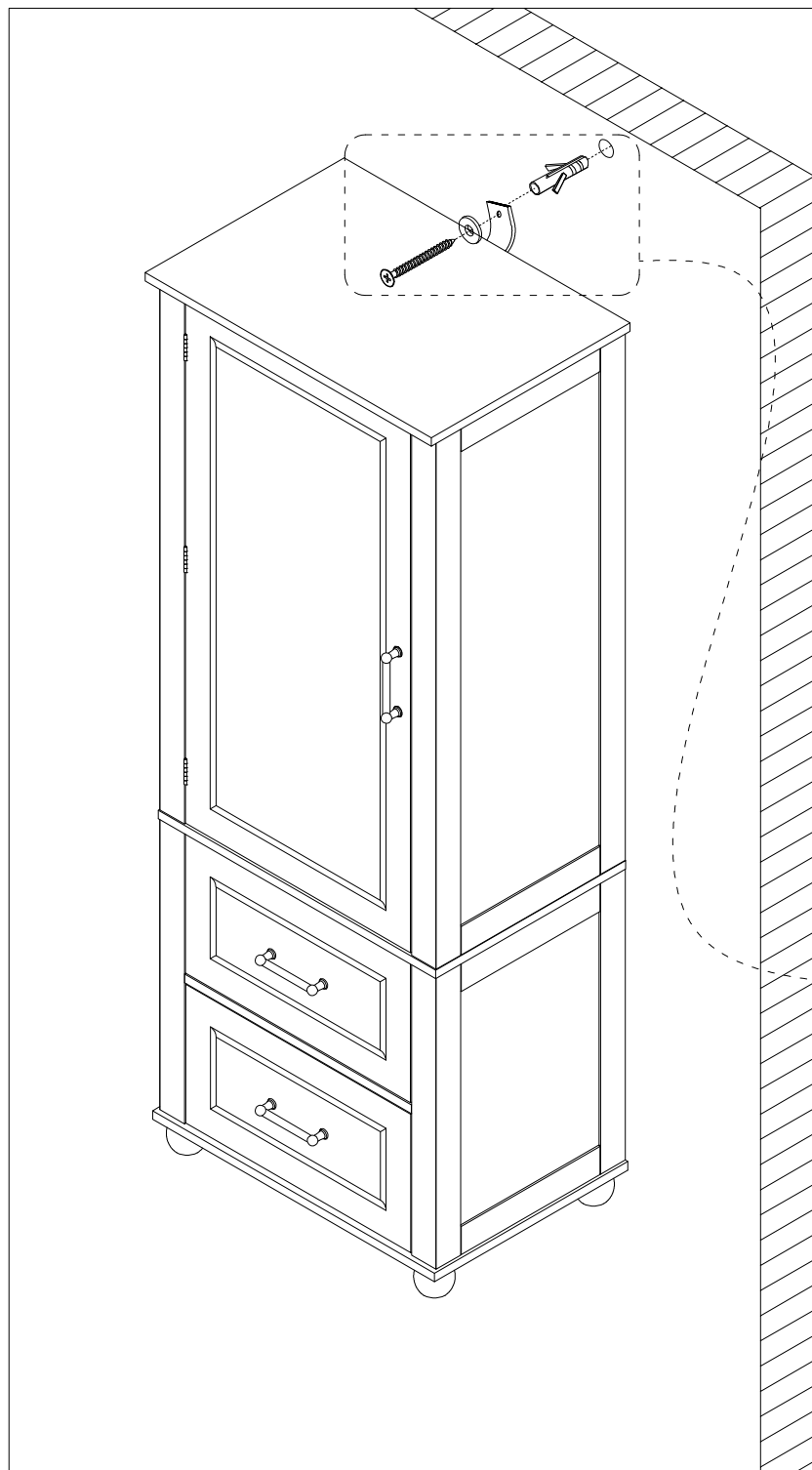
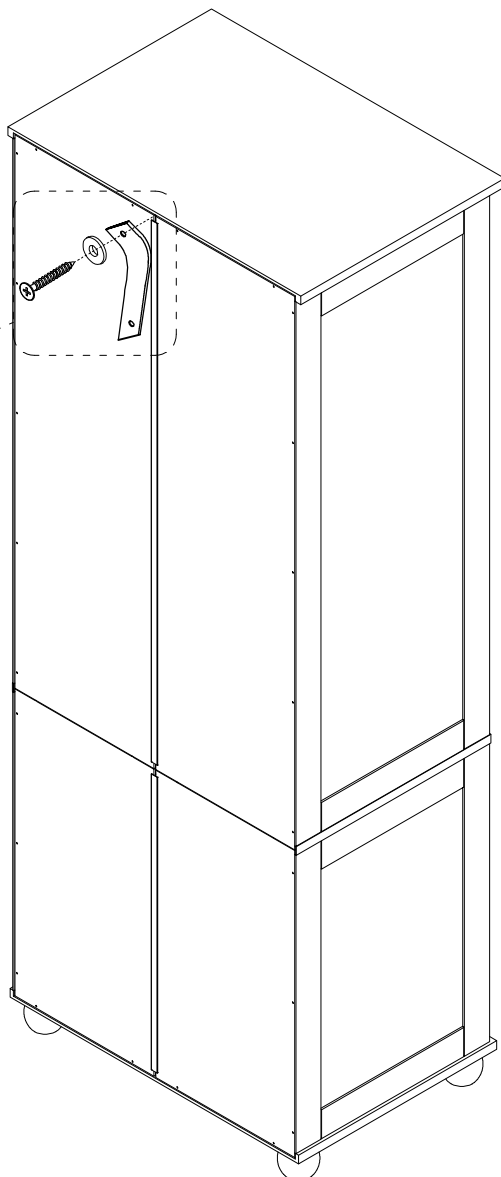
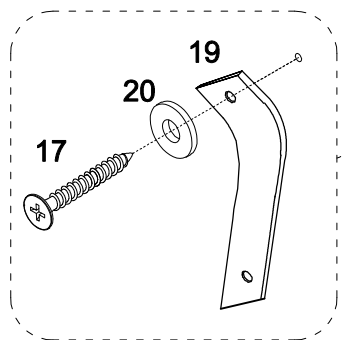
12		4pcs
13		2pcs






# STEP 26





# STEP 27



16		1pc
17		1pc
18		1pc
19		1pc
20		2pcs