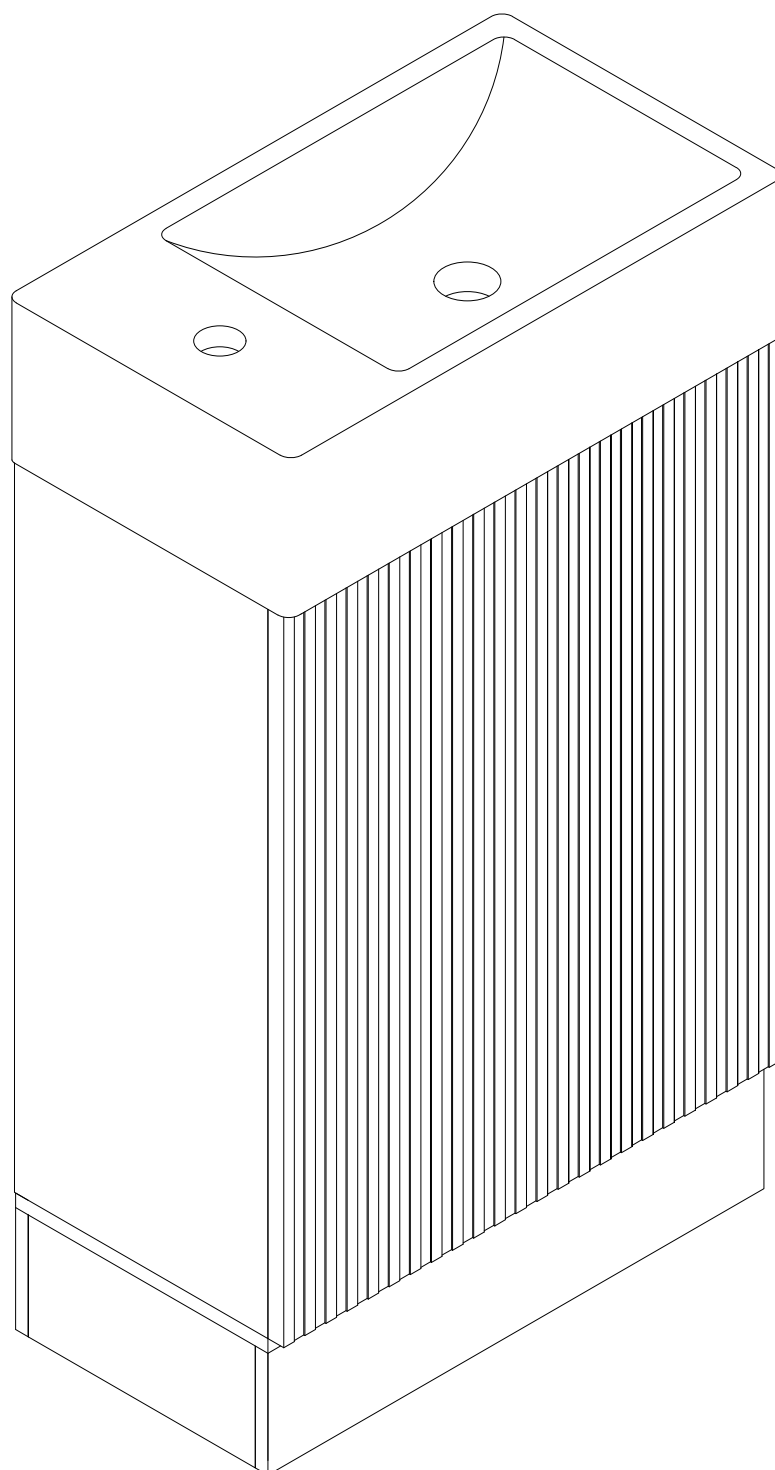
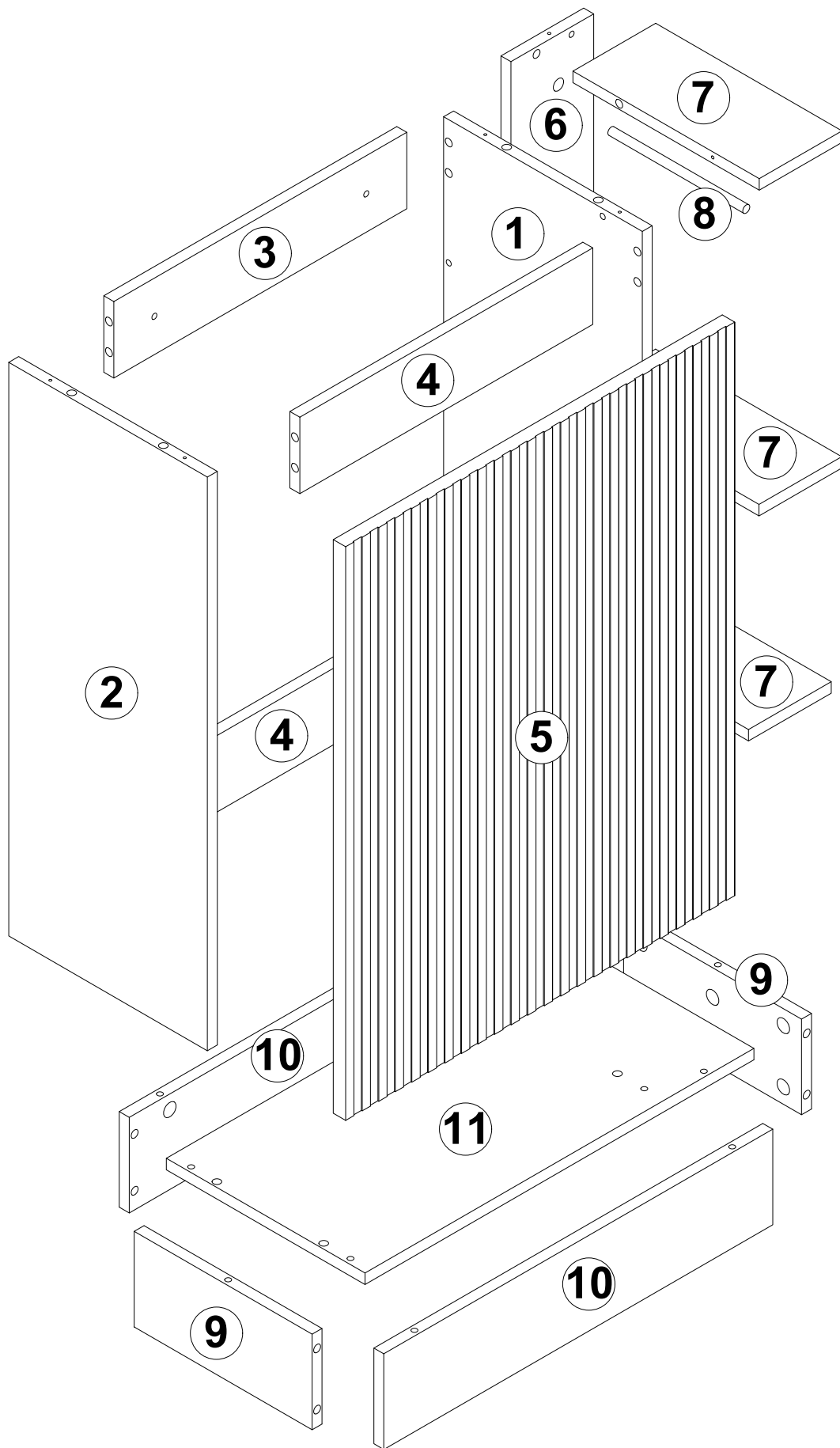
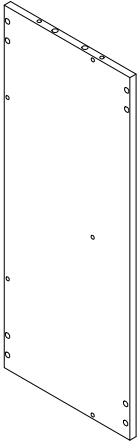
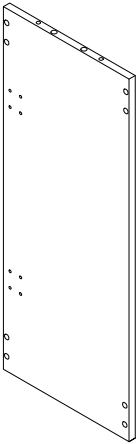
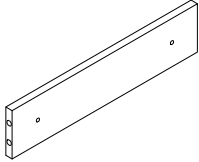
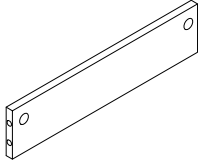
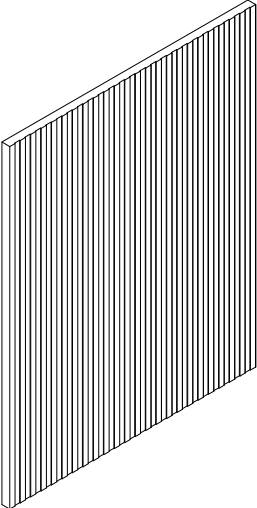
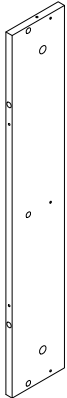
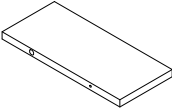
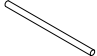
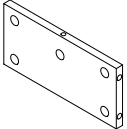
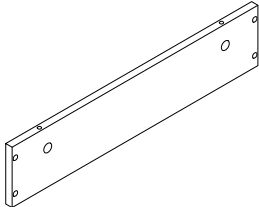
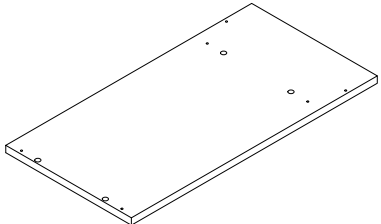


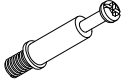


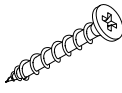

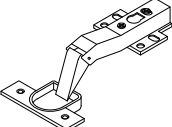
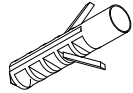
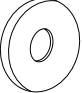
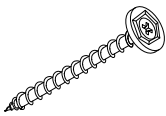
ASSEMBLY INSRTRUCTION BAUANLEITUNG

WF308491AAK

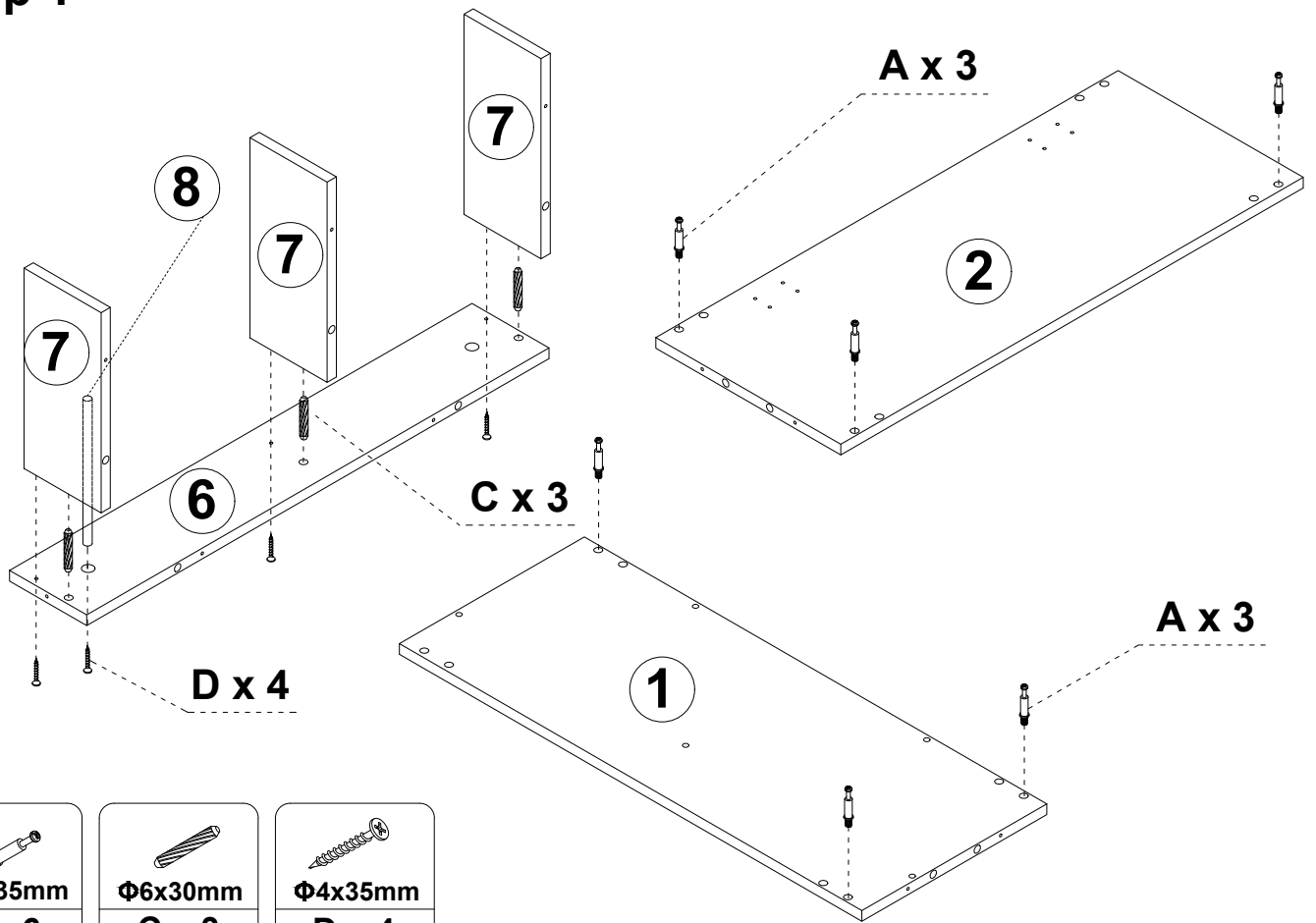




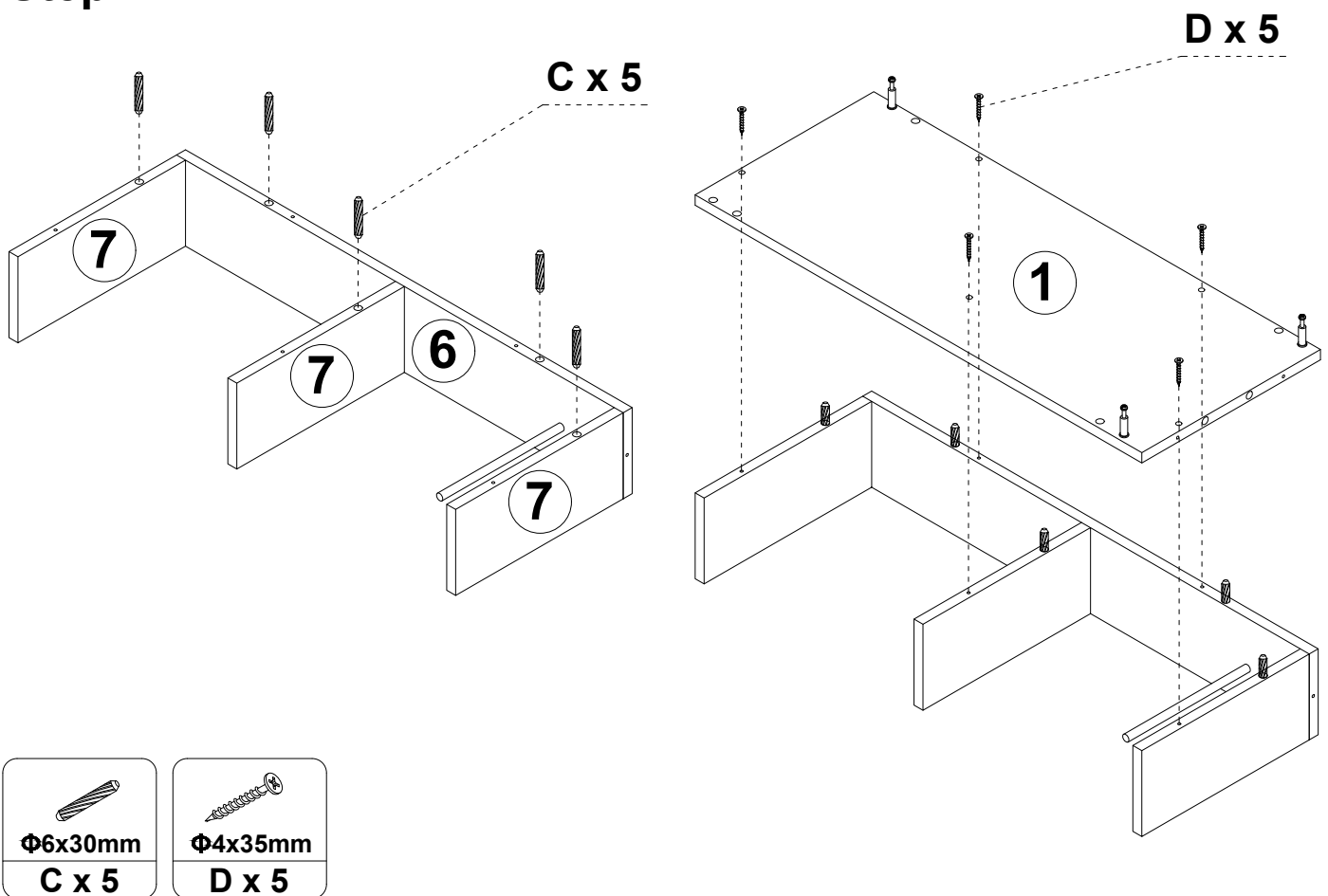
			
① x 1	② x 1	③ x 1	④ x 2
			
⑤ x 1	⑥ x 1	⑦ x 3	⑧ x 1
			
⑨ x 2	⑩ x 2	⑪ x 1	

					
Φ6x35mm A x 20+2	Φ15x10mm B x 20+2	Φ6x30mm C x 18+1	Φ4x35mm D x 14+1	Φ3.5x12mm E x 12+1	F x 2
					
Φ8x40mm G x 2	Φ20 H x 2	Φ6x60mm I x 2			

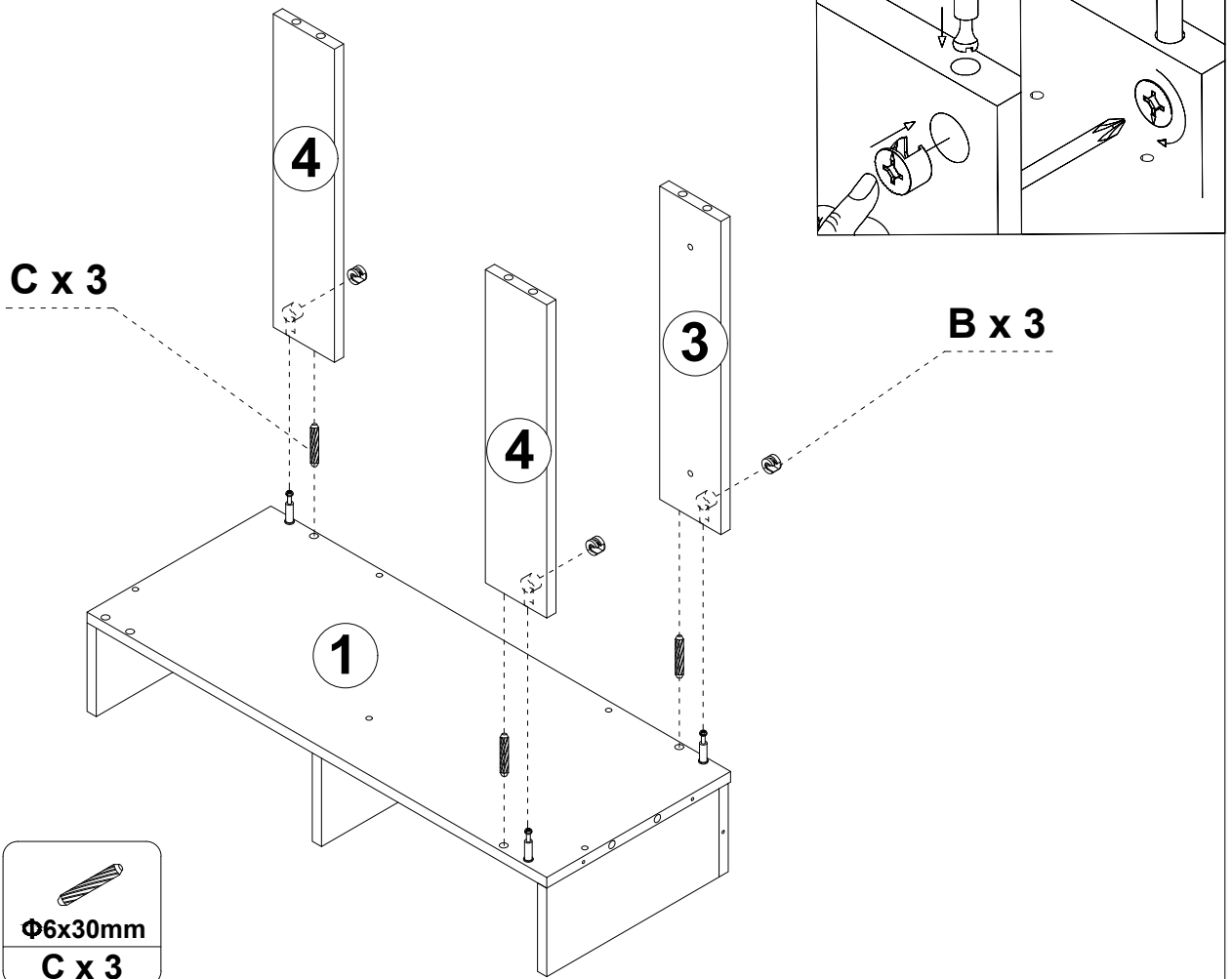
Step 1



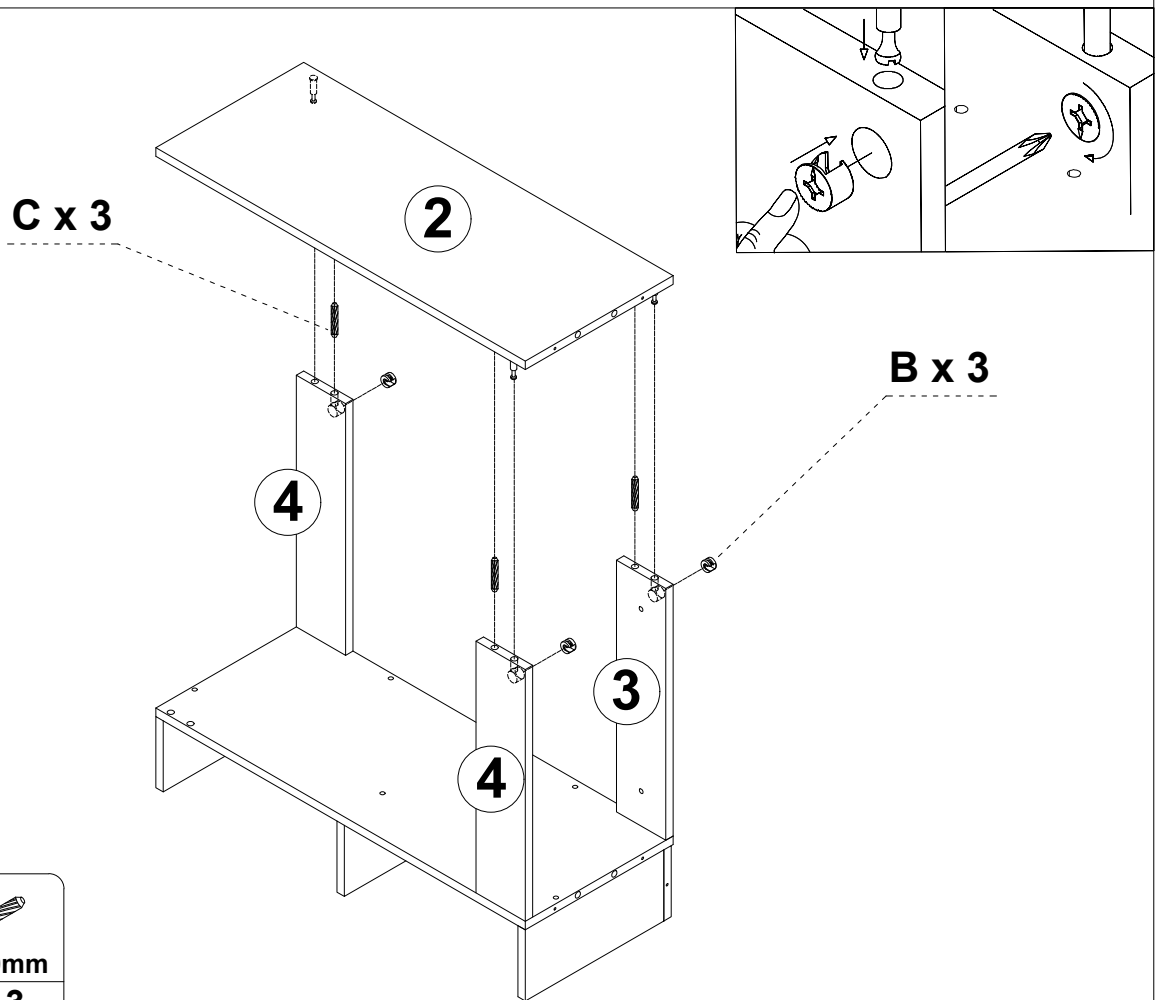
Step 2



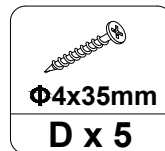
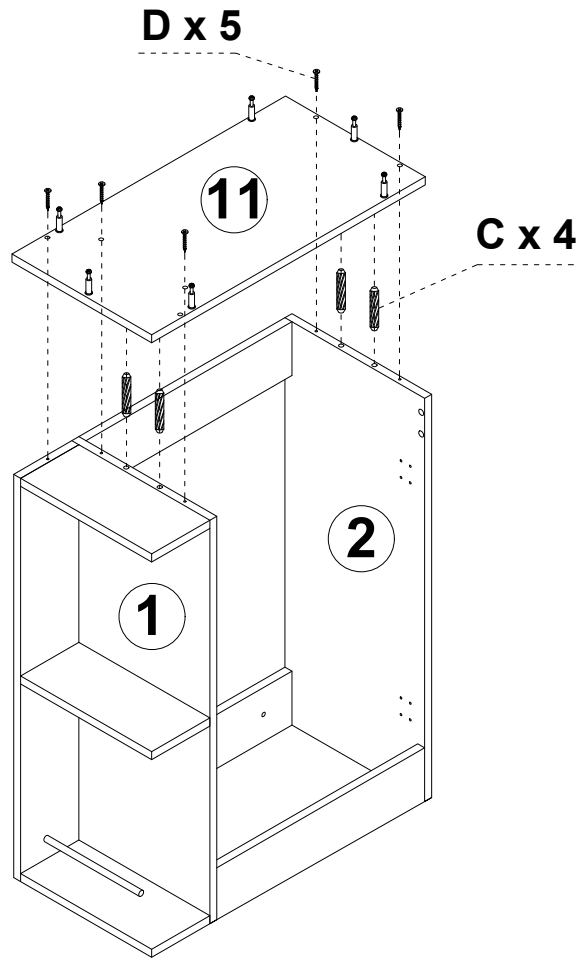
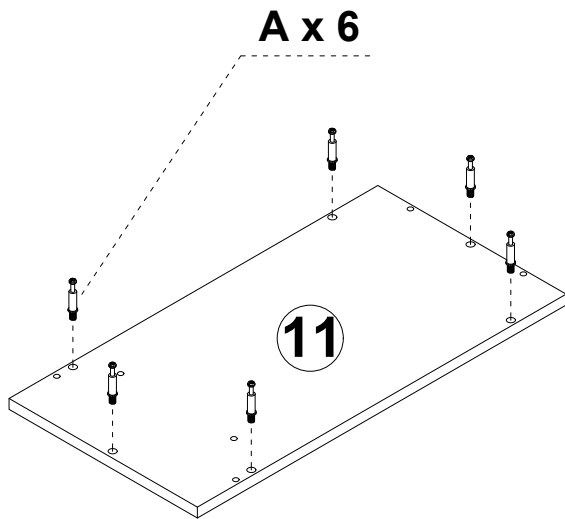
Step 3



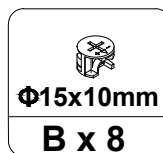
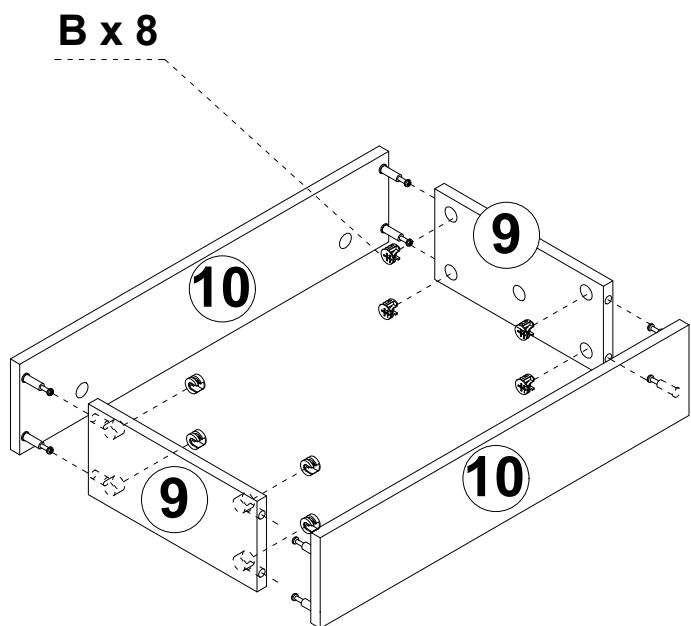
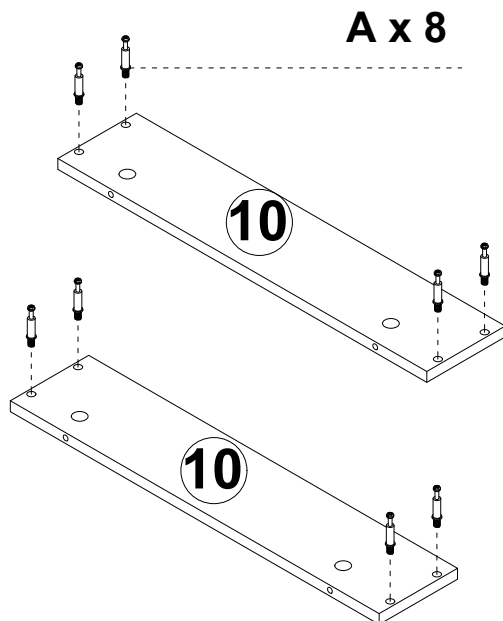
Step 4



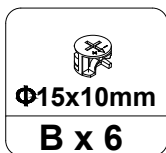
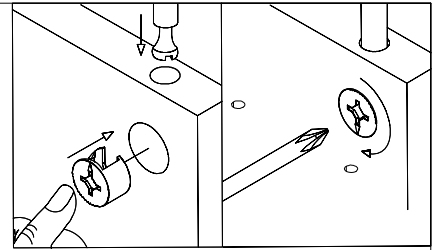
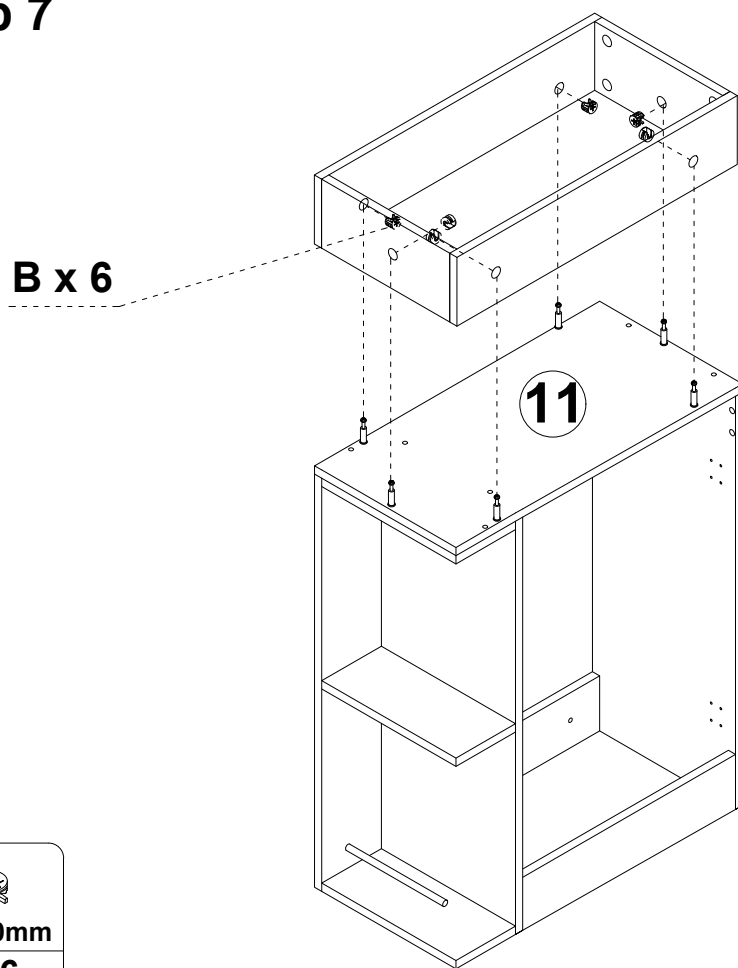
Step 5



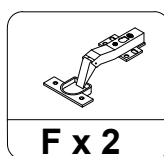
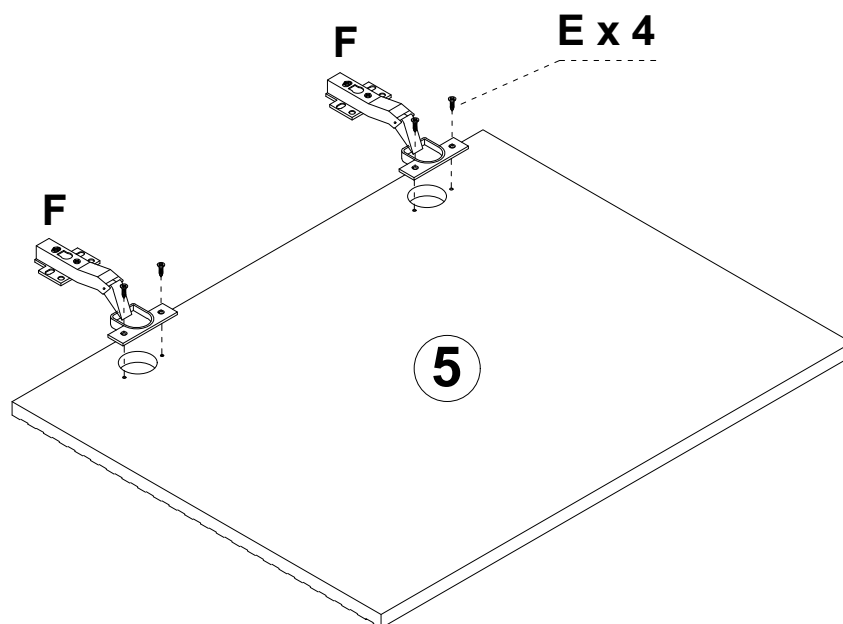
Step 6



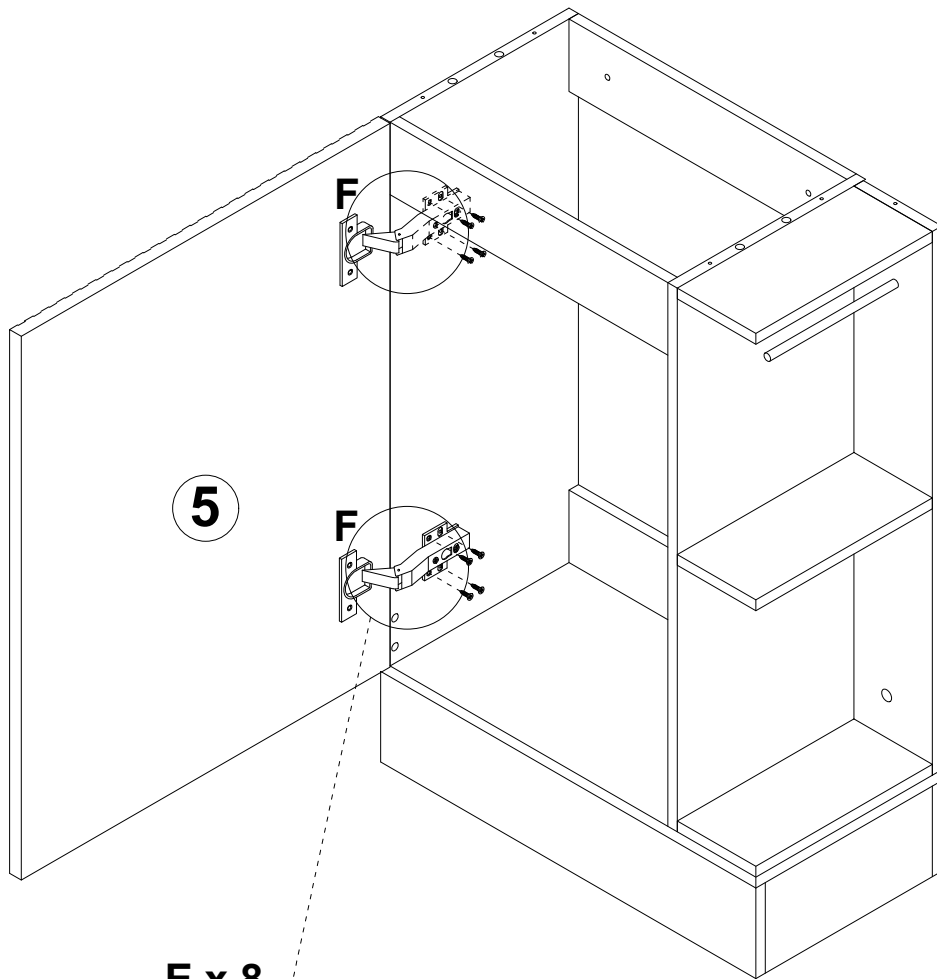
Step 7



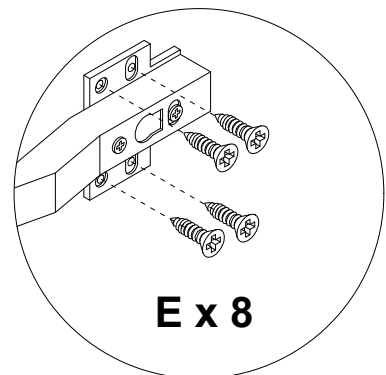
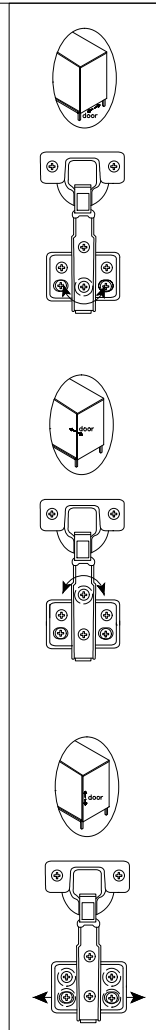
Step 8



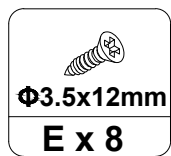
Step 9



Ex 8



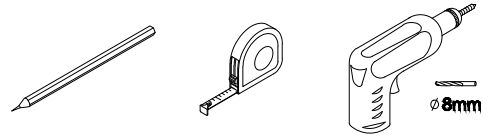
Ex 8



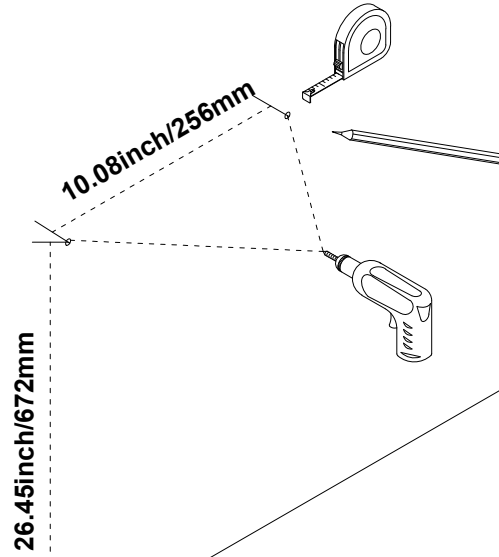
Φ3.5x12mm

Ex 8

Step 10

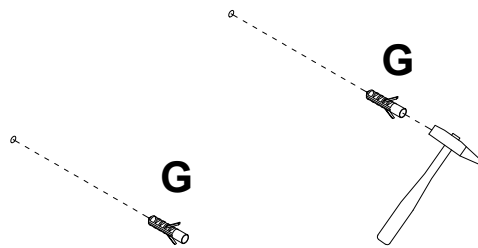


Wall

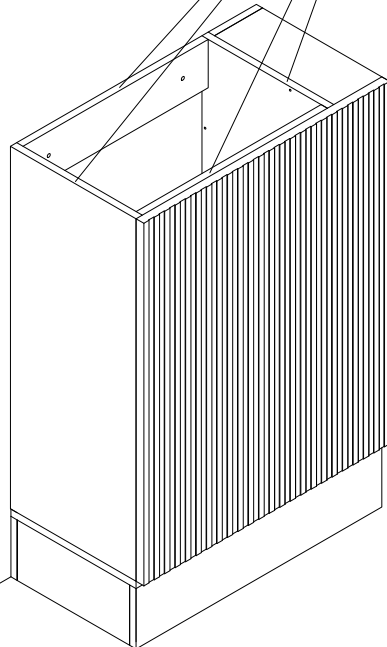
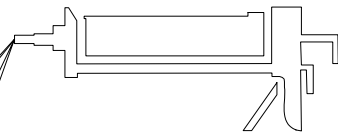
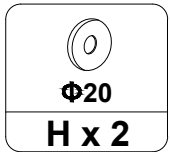
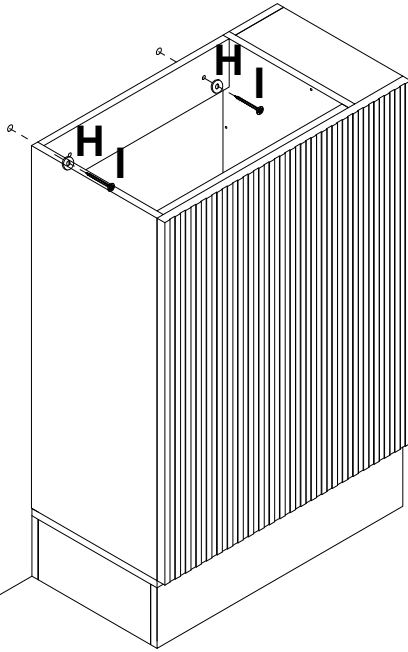


Step 11

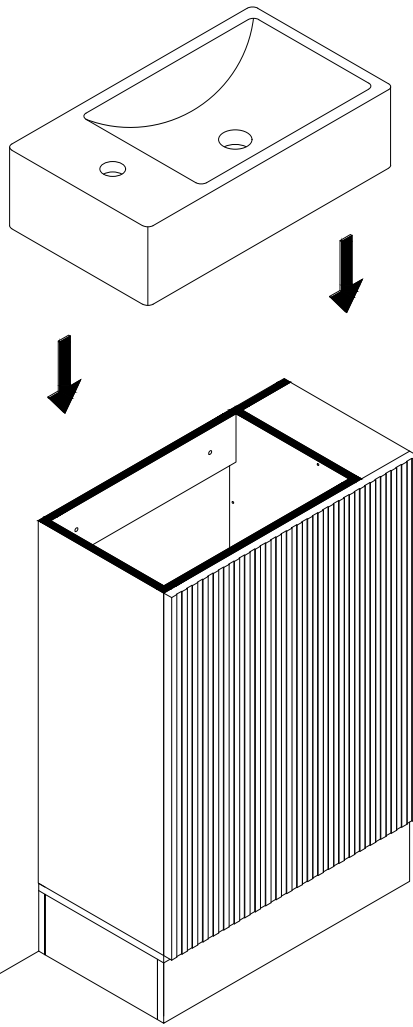
Wall

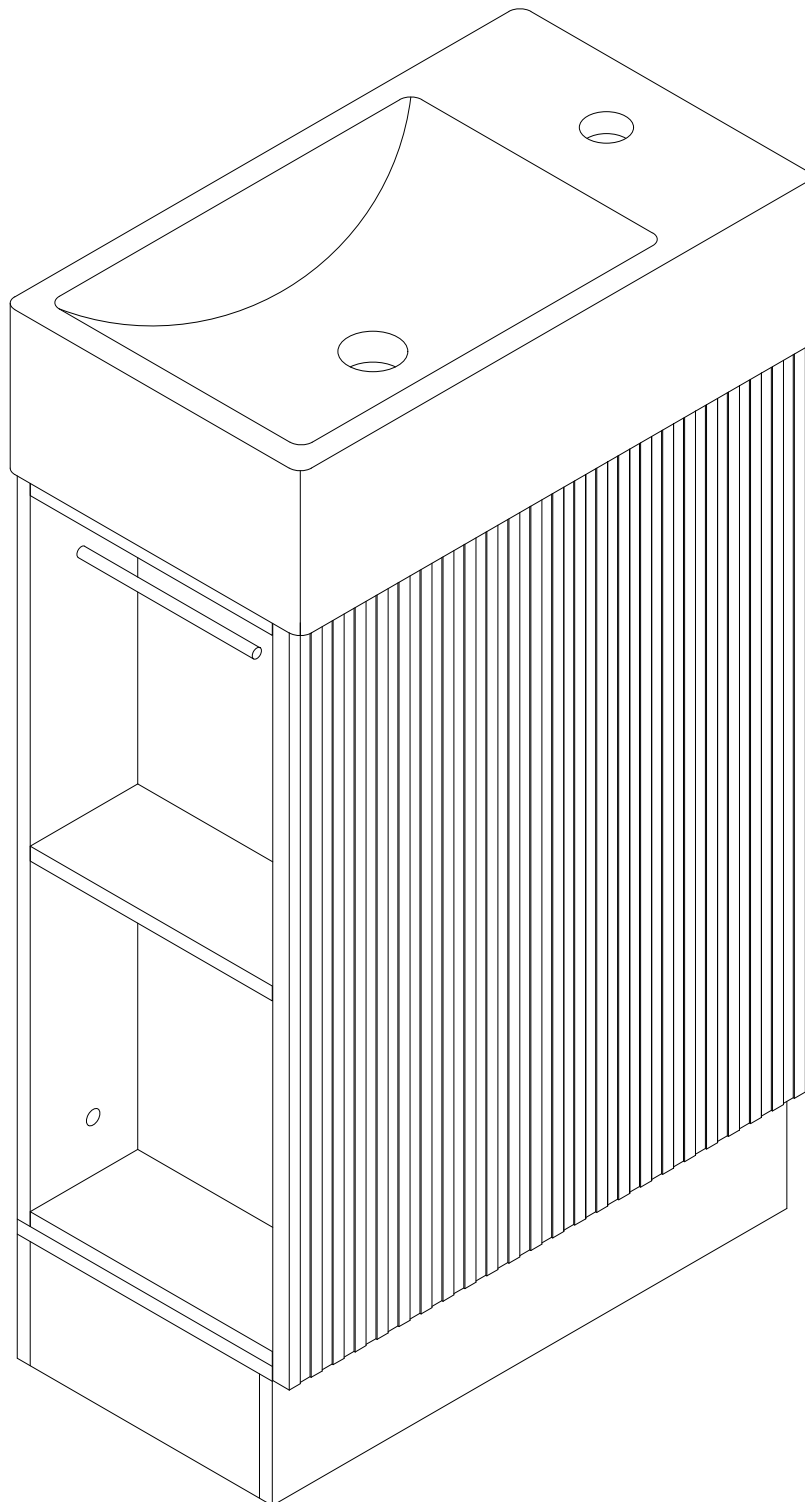


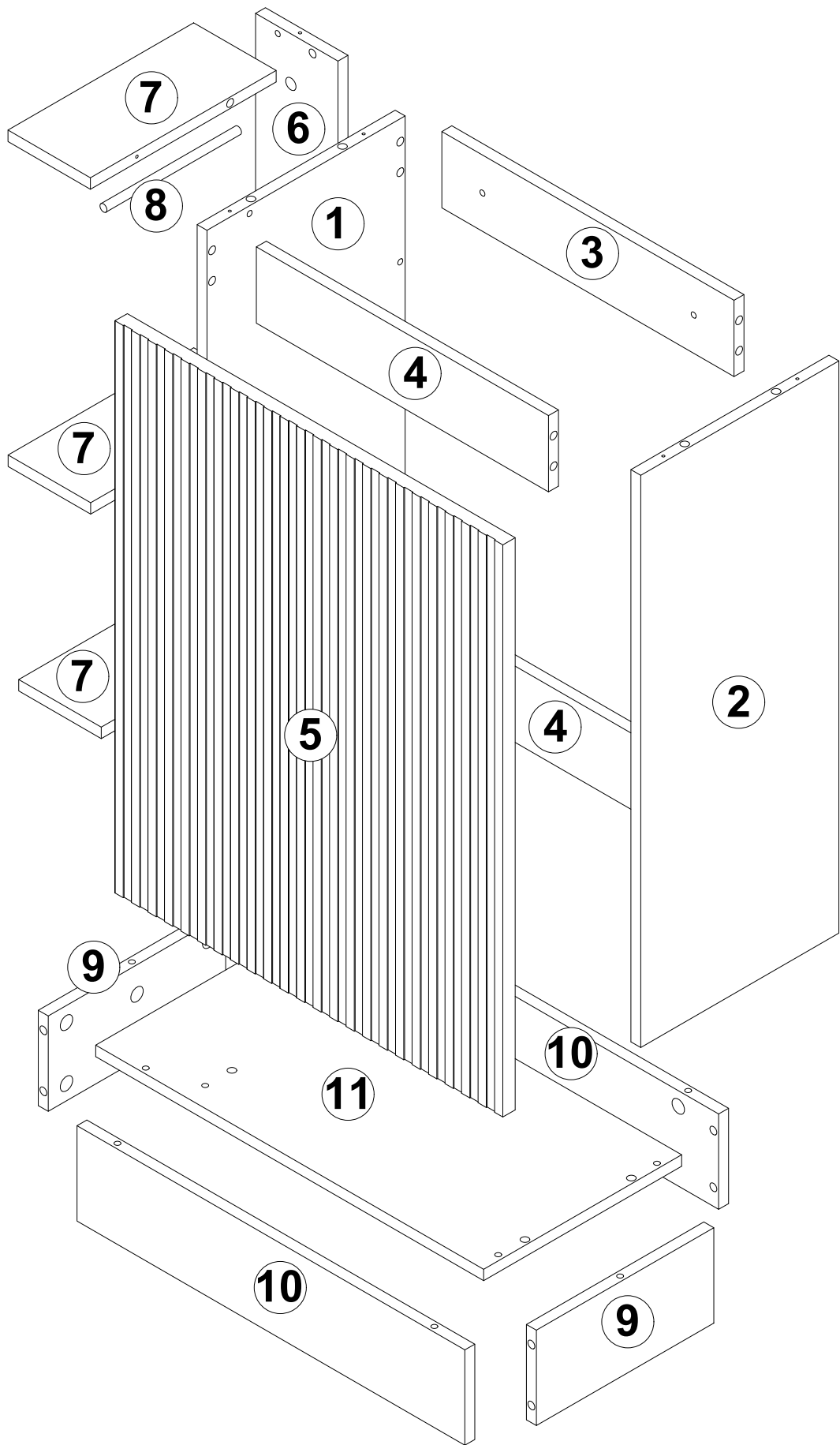
Step 12

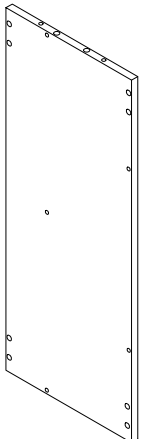
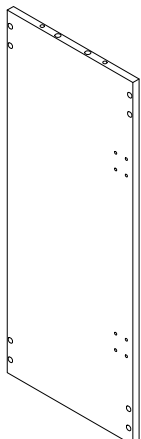
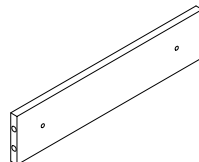
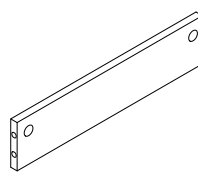
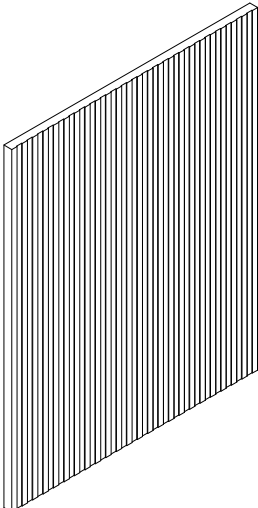
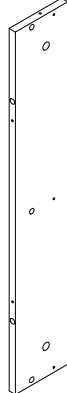
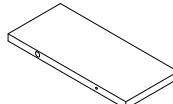
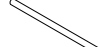
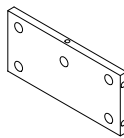
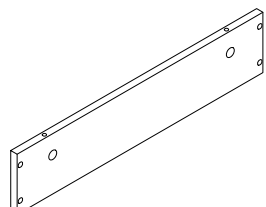
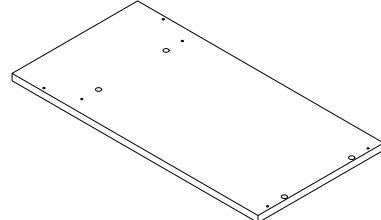


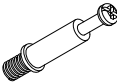
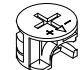

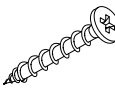

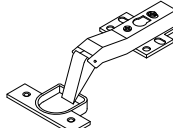
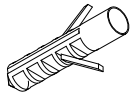
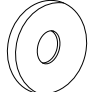
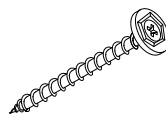
Step 13



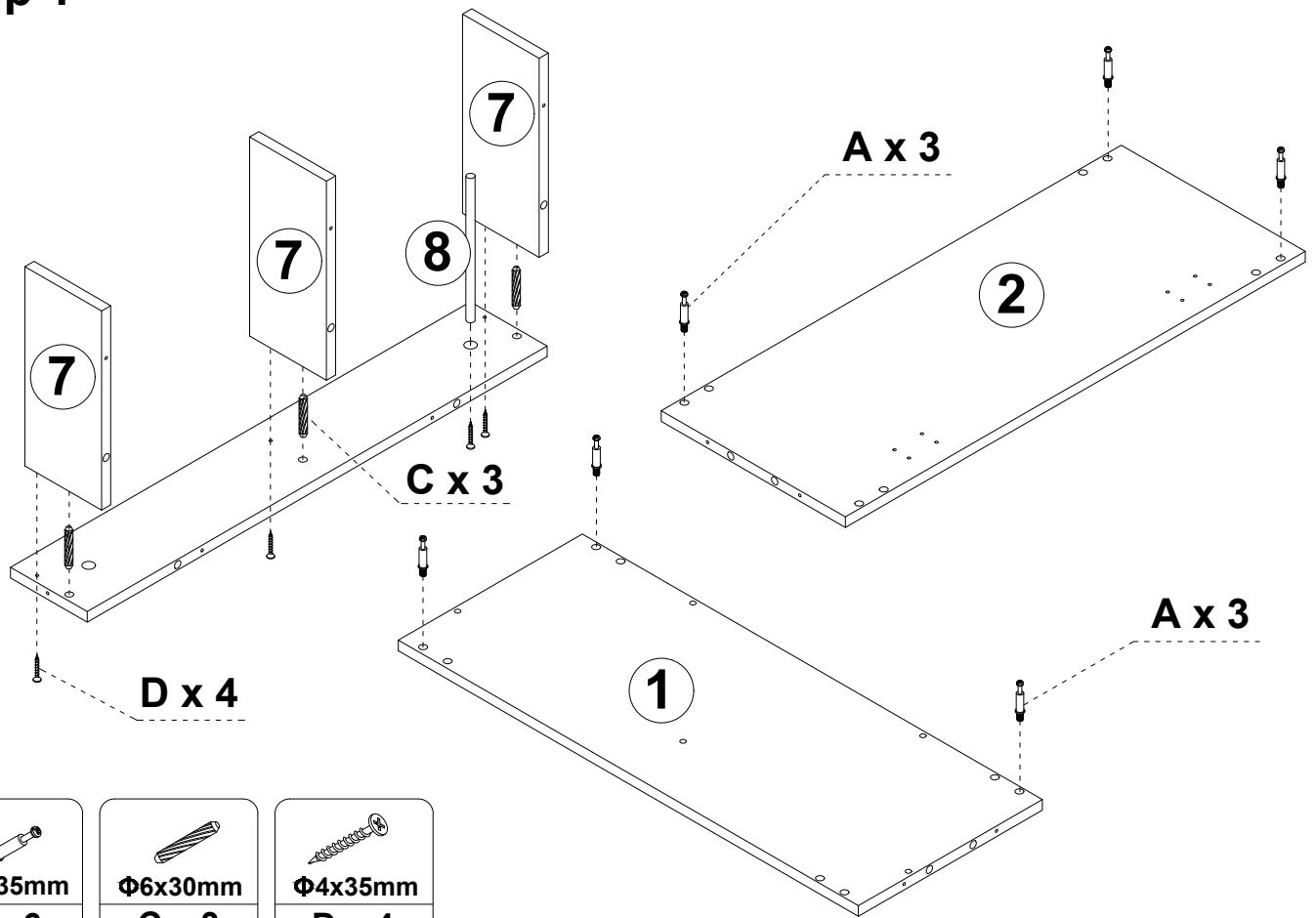




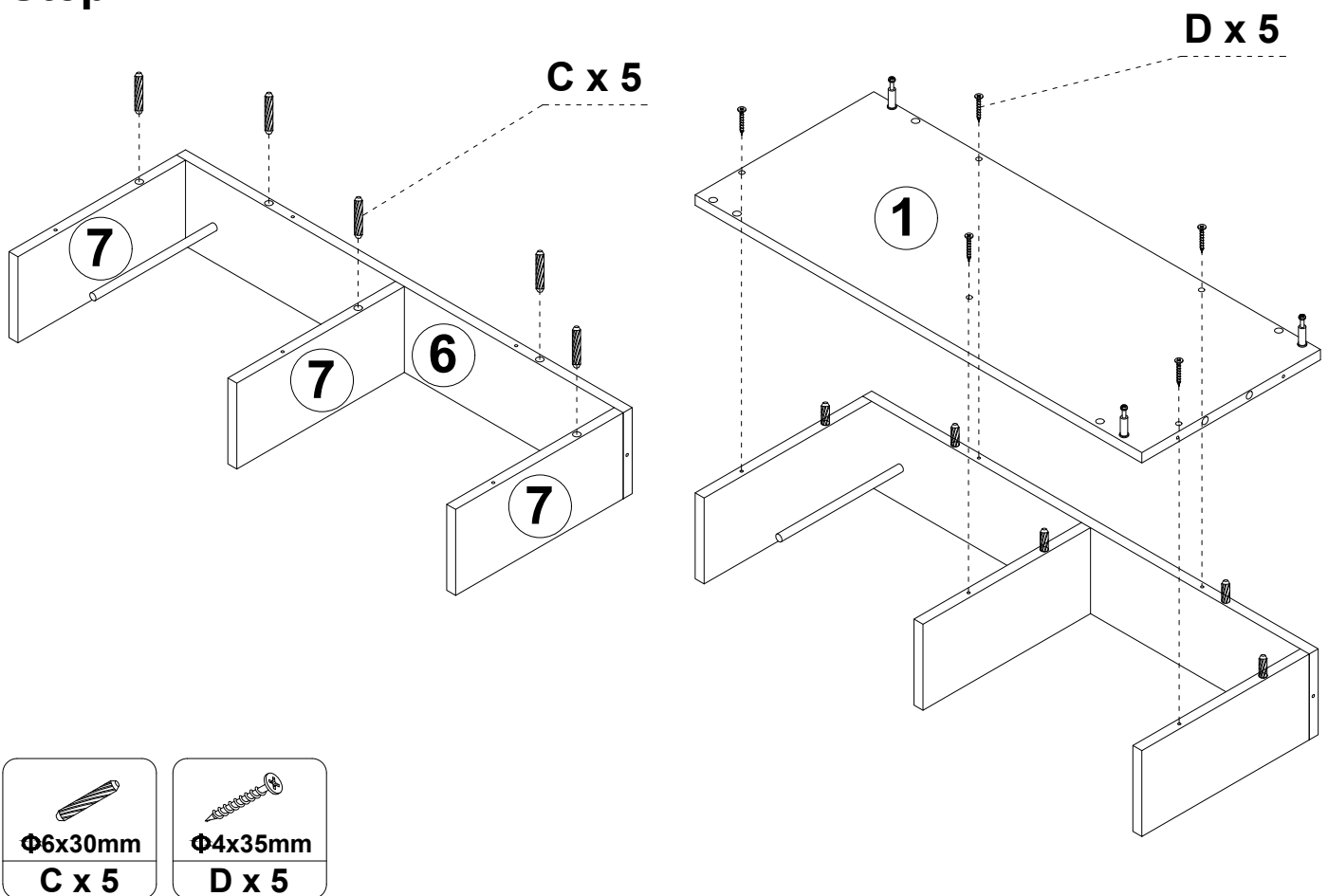
			
① x 1	② x 1	③ x 1	④ x 2
			
⑤ x 1	⑥ x 1	⑦ x 3	⑧ x 1
			
⑨ x 2	⑩ x 2	⑪ x 1	

					
Φ6x35mm A x 20+2	Φ15x10mm B x 20+2	Φ6x30mm C x 18+1	Φ4x35mm D x 14+1	Φ3.5x12mm E x 12+1	F x 2
					
Φ8x40mm G x 2	Φ20 H x 2	Φ6x60mm I x 2			

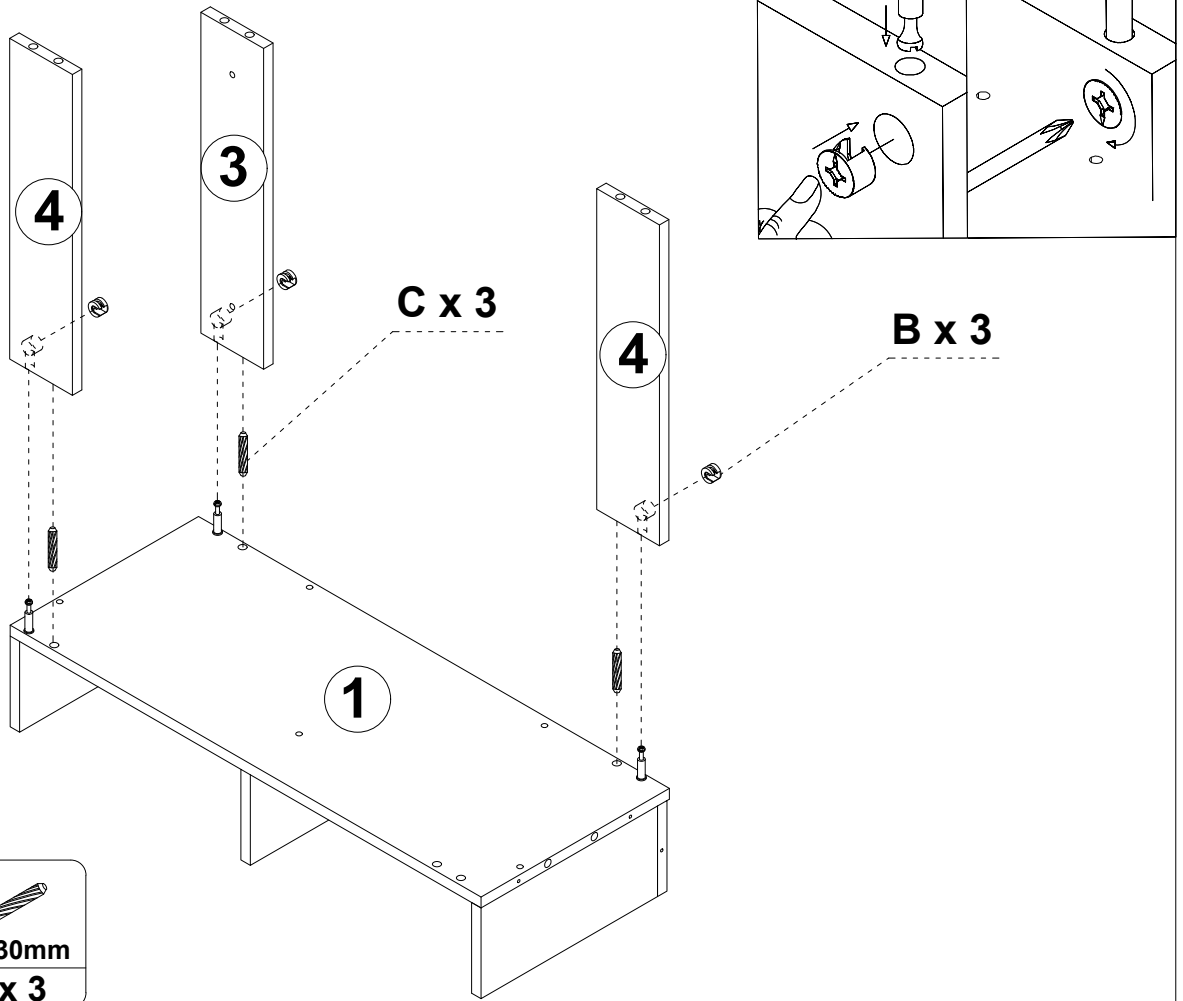
Step 1



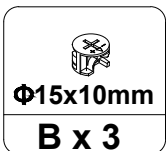
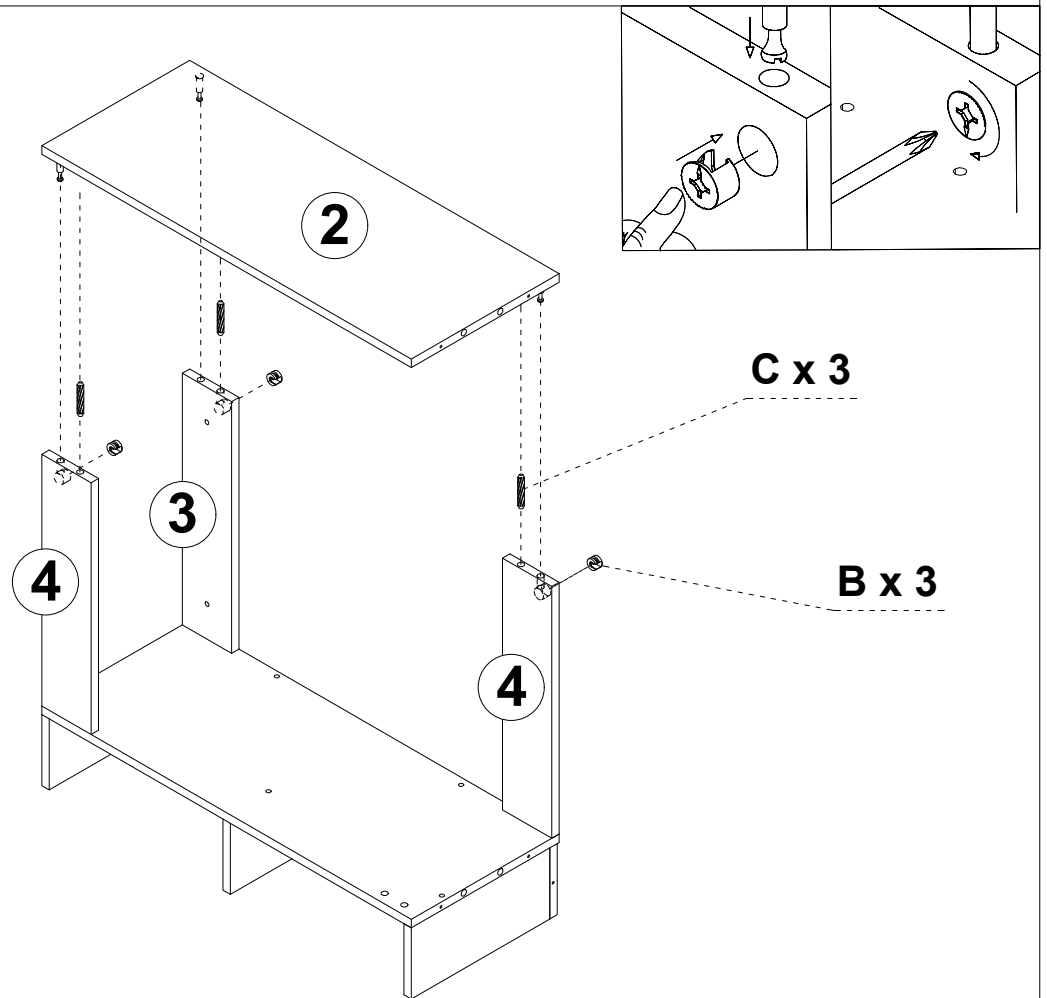
Step 2



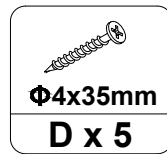
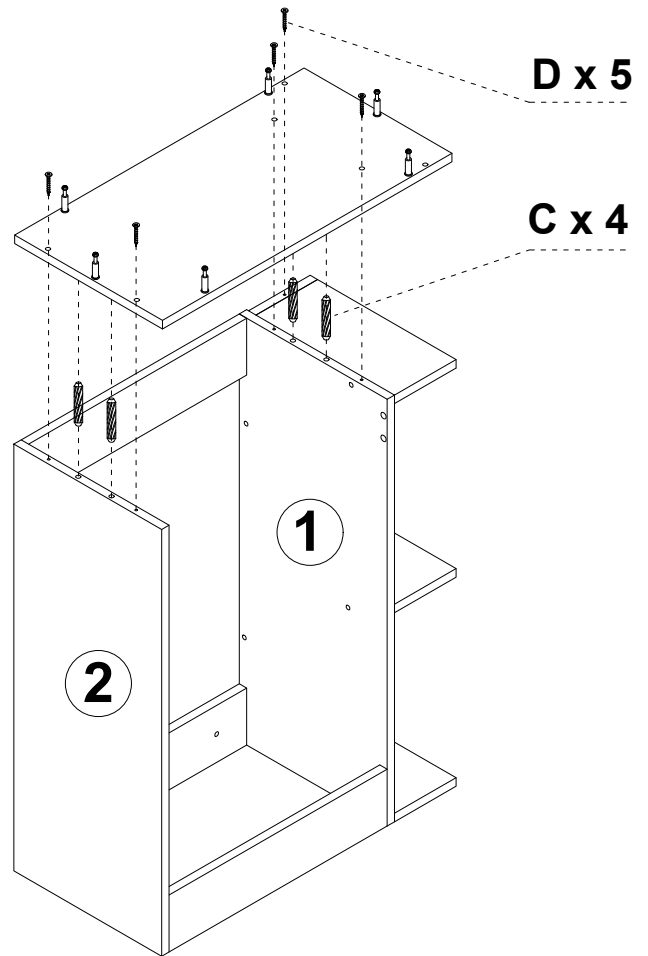
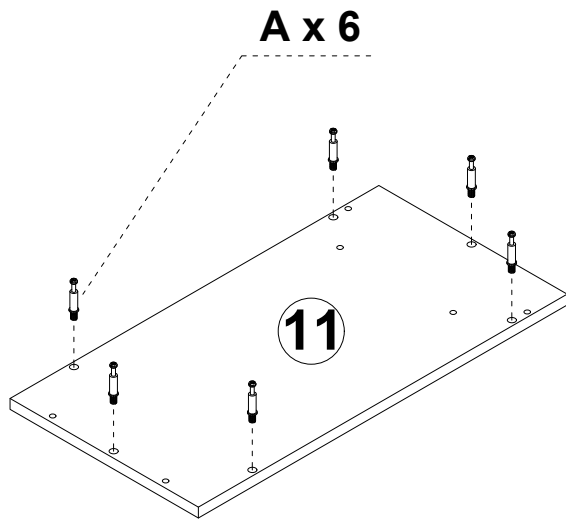
Step 3



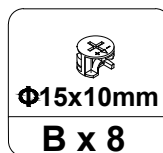
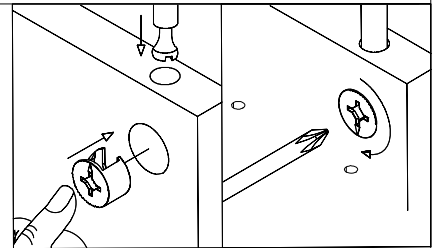
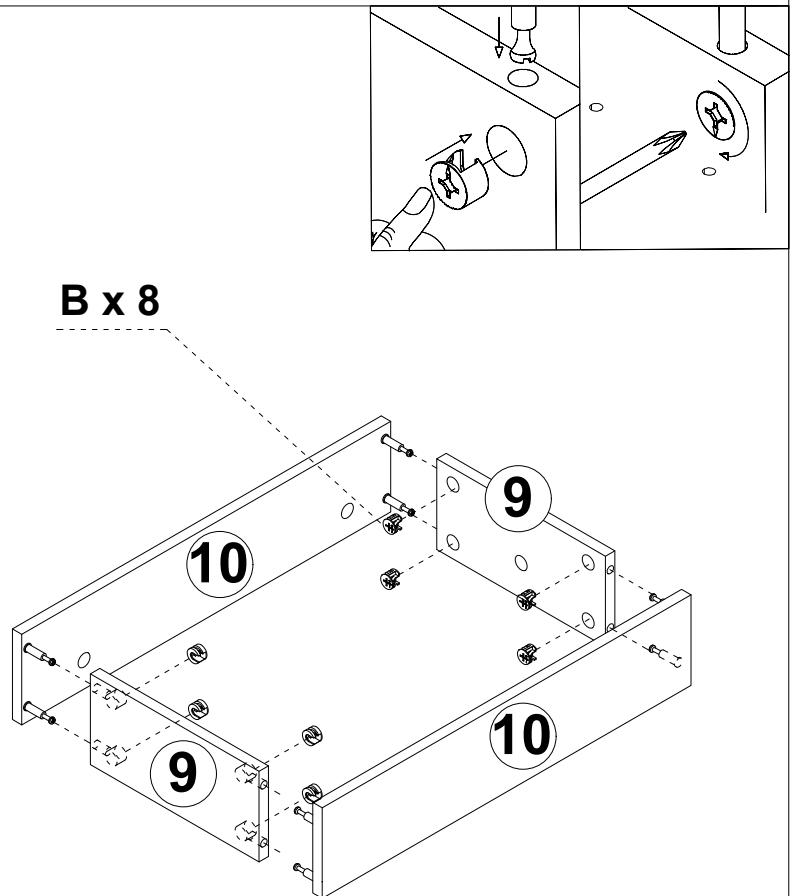
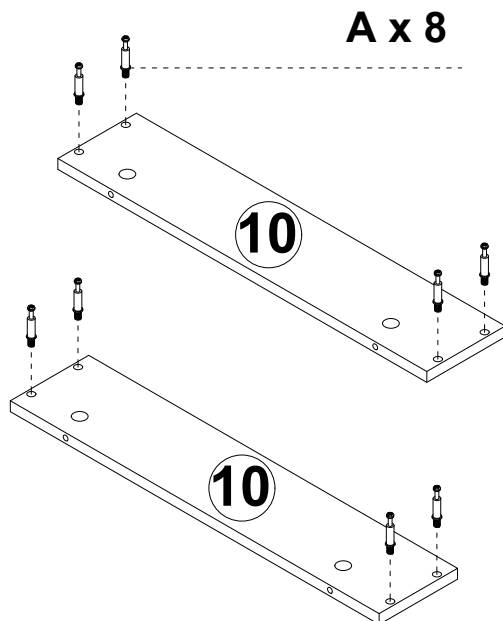
Step 4



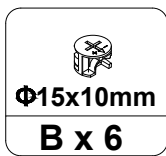
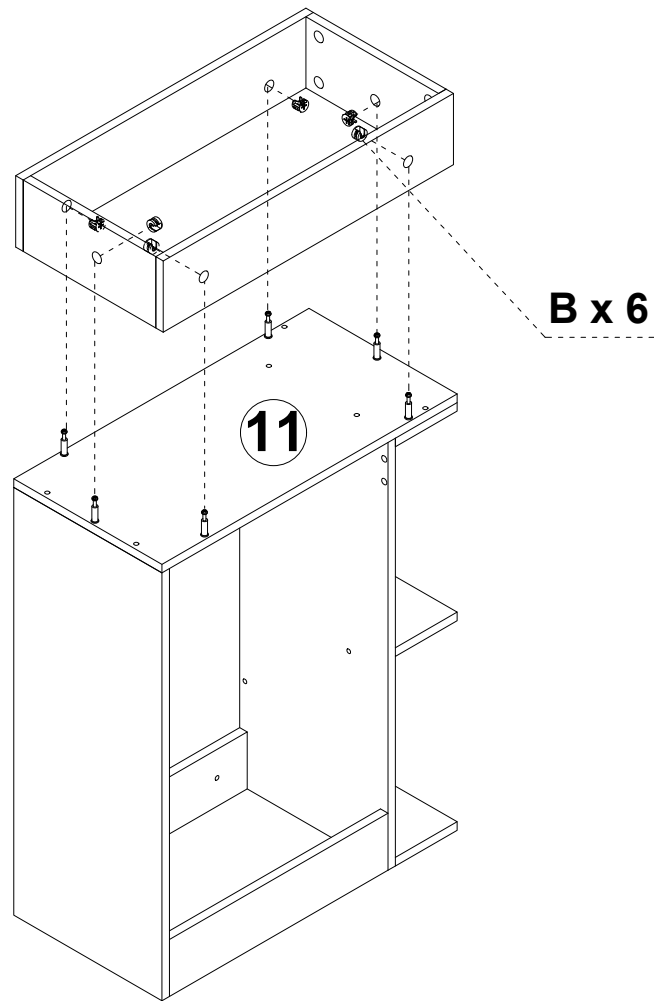
Step 5



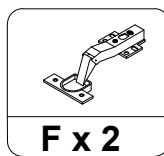
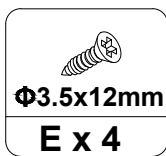
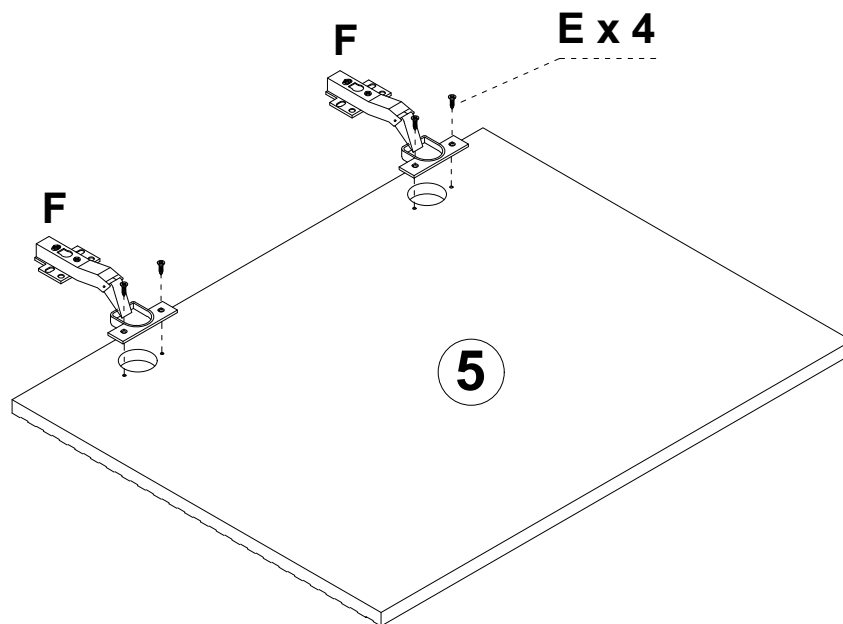
Step 6



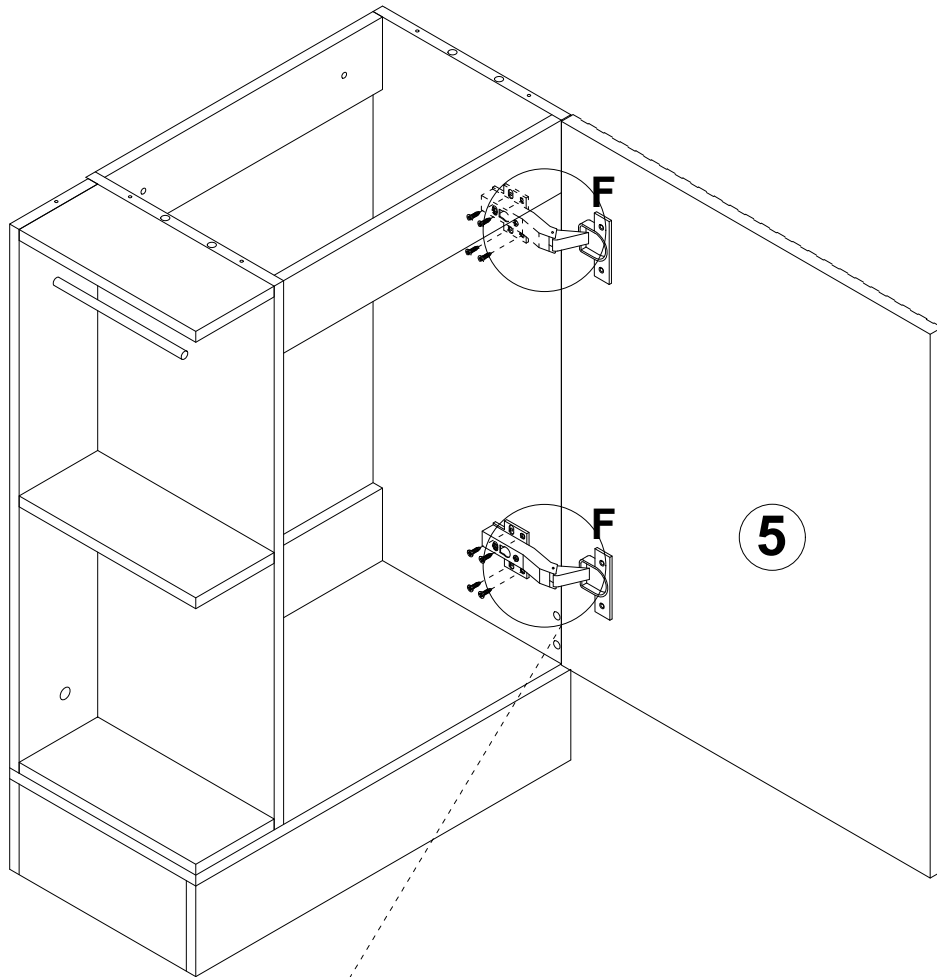
Step 7



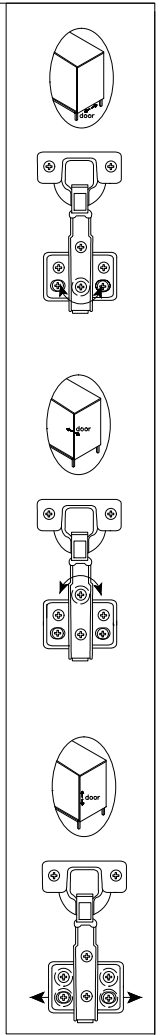
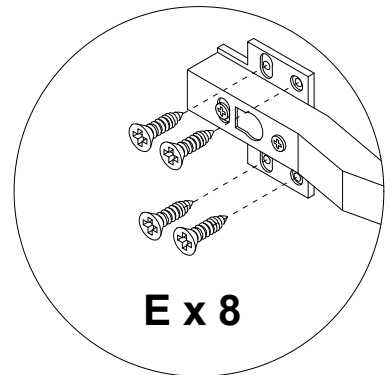
Step 8



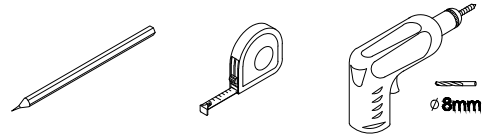
Step 9



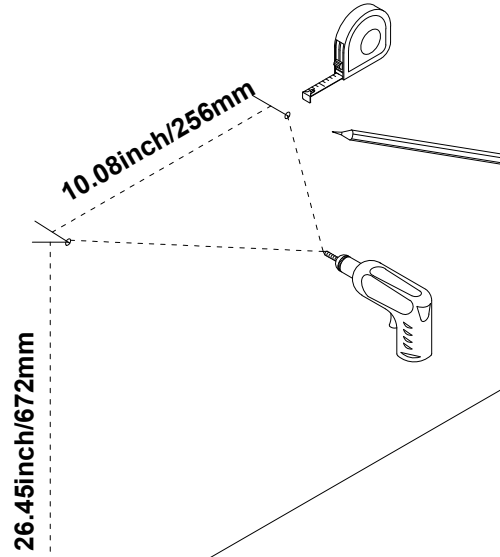
E x 8



Step 10

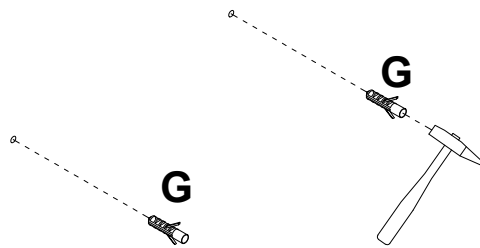


Wall

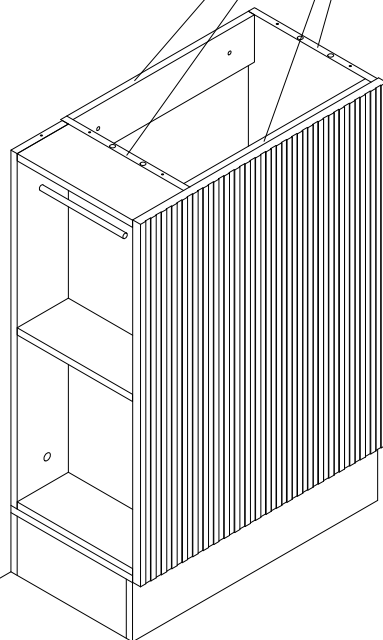
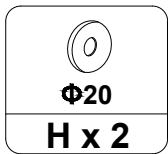
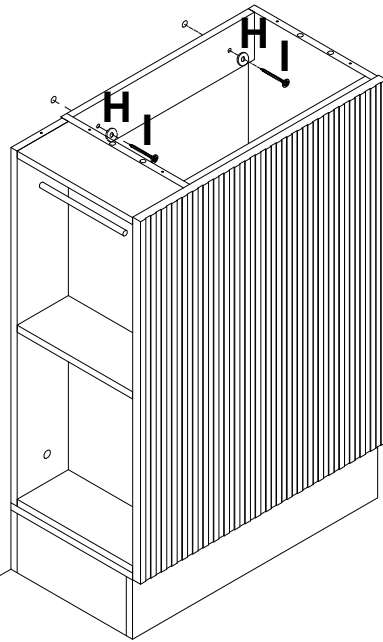


Step 11

Wall



Step 12



Step 13

