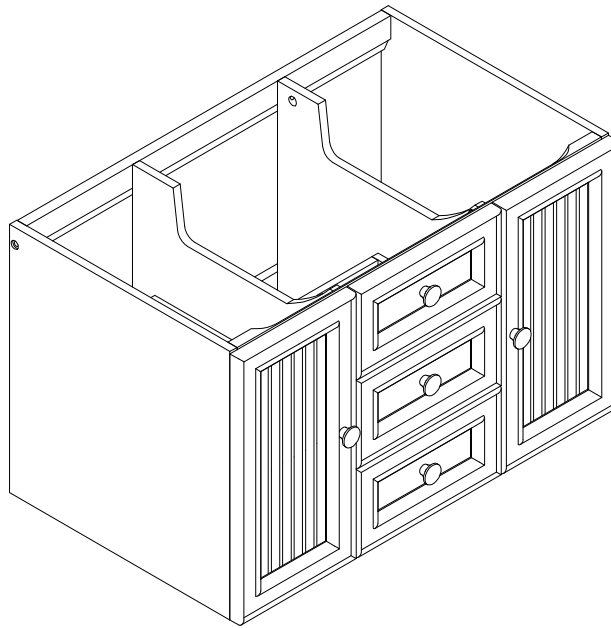


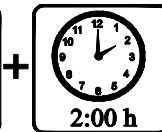
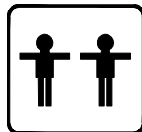
ASSEMBLY INSTRUCTIONS

BATH VANITY-CABINET

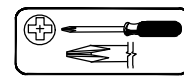


Thank you for purchasing this quality product. Be sure to check all packing material carefully for small parts which may have come loose inside the carton during shipment. Separate, identify and count all parts and hardware. Compare with the parts list to be sure all parts are present.
"DO NOT TIGHTEN SCREWS UNTIL COMPLETELY ASSEMBLED"

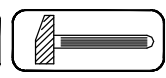
*** Use of power tool to assemble this product will invalidate any claim and damage this product making unsafe !!!**
*** Please assemble on a clean soft surface to avoid damage.**



Tools Required



(Not included)



(Not included)

IMPORTANT:

PLEASE READ INSTRUCTION BEFORE STARTING THE ASSEMBLY

Thank you for buying our products.

Please read the installation manual carefully before installation,

we need you to follow the instructions on the accessories and hardware

step by step assembly complete, our instructions are very detailed.

Products are environmentally friendly products,

Please rest assured that you do not soak in water, do not place very heavy items,

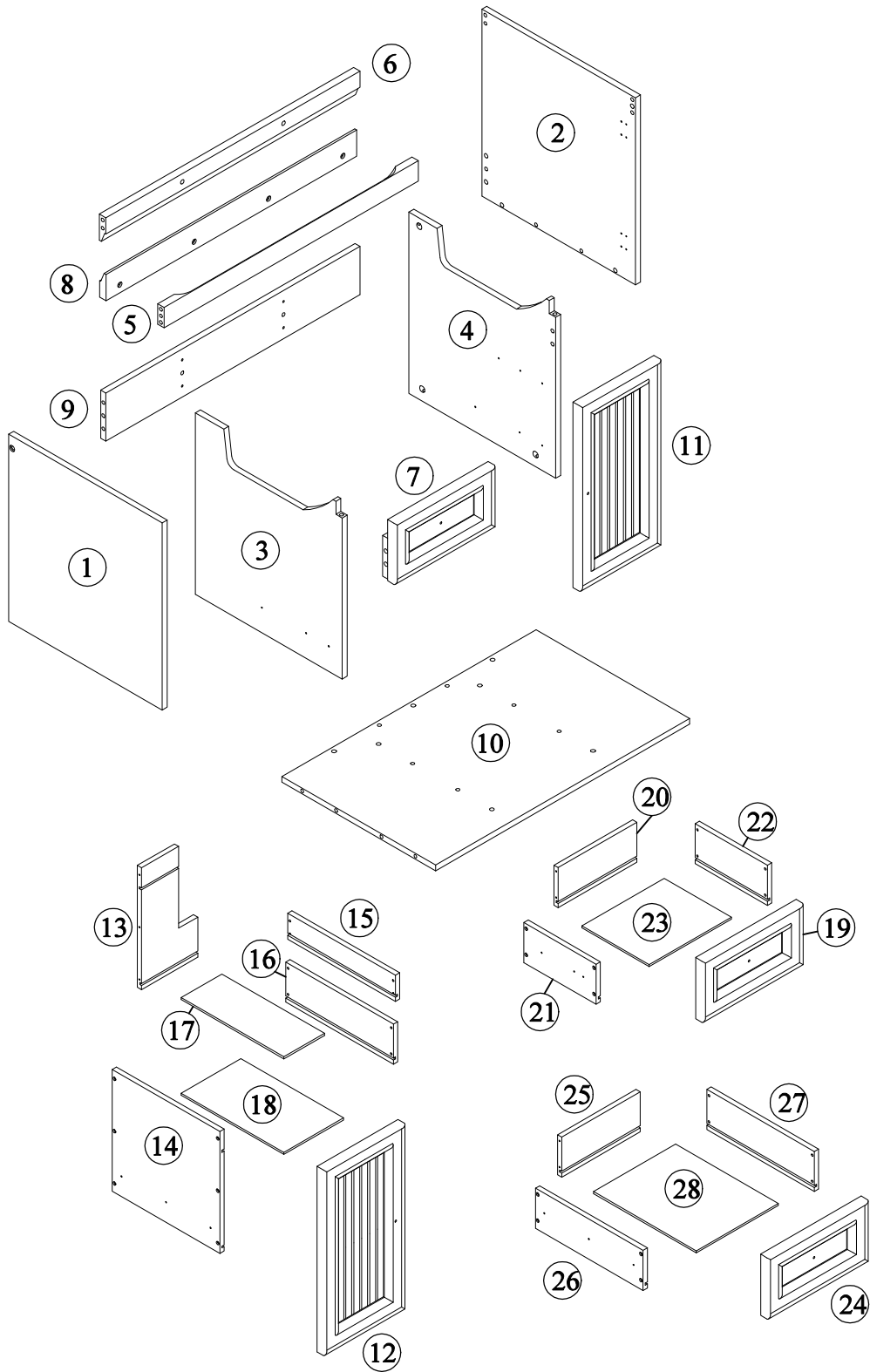
do not malicious push and pull,

if you have any problems in the process of assembly and use, please contact us.

Thank you again for your purchase of our products,

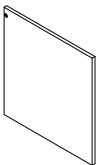
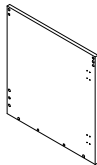
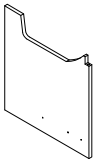
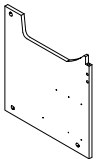
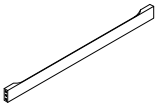
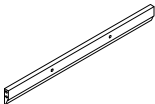
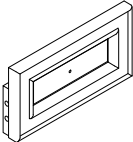
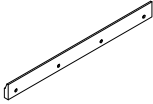
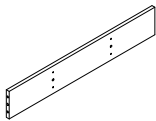
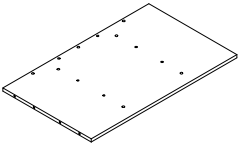
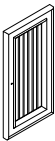
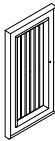
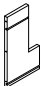
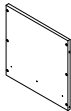
I wish you a happy life.

Detail View - CABINET

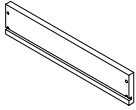
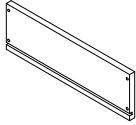
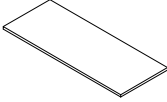
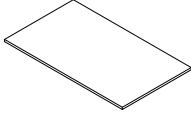
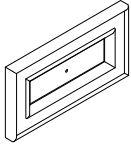
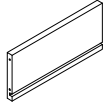
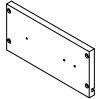
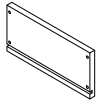
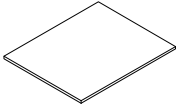
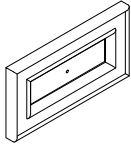
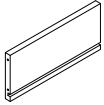
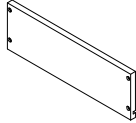
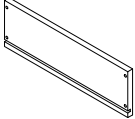
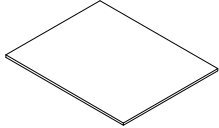


Identifying the Hardware-Identify the hardware using the illustrations below.

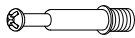





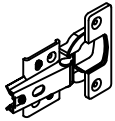
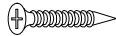
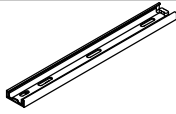
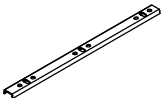
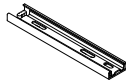



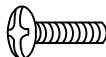
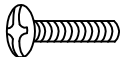





Part List - WF307971

<p>1</p>  <p>Side Panel (L) - 1pc</p>	<p>2</p>  <p>Side Panel (R) - 1pc</p>
<p>3</p>  <p>Mid Panel (L) - 1pc</p>	<p>4</p>  <p>Mid Panel (R) - 1pc</p>
<p>5</p>  <p>Front Crossbar Top - 1pc</p>	<p>6</p>  <p>Rear Crossbar Top - 1pc</p>
<p>7</p>  <p>Drawer Fake - 1pc</p>	<p>8</p>  <p>Connect Bar - 1pc</p>
<p>9</p>  <p>Rear Panel Bottom - 1pc</p>	<p>10</p>  <p>Panel Bottom - 1pc</p>
<p>11</p>  <p>Door Cabinet - 1pc</p>	<p>12</p>  <p>Left Drawer Face - 1pc</p>
<p>13</p>  <p>Left Panel Rear - 1pc</p>	<p>14</p>  <p>Left Drawer Panel Side (L) - 1pc</p>

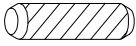



Part List - WF307971

<p>15</p>  <p>Left Drawer Panel Side (R-T) - 1pc</p>	<p>16</p>  <p>Left Drawer Panel Side (R-B) - 1pc</p>
<p>17</p>  <p>Left Drawer Panel bottom (A) - 1pc</p>	<p>18</p>  <p>Left Drawer Panel bottom (B) - 1pc</p>
<p>19</p>  <p>Mid Drawer Top Face - 1pc</p>	<p>20</p>  <p>Mid Drawer Top Panel Rear - 1pc</p>
<p>21</p>  <p>Mid Drawer Top Panel Side (L) - 1pc</p>	<p>22</p>  <p>Mid Drawer Top Panel Side (R) - 1pc</p>
<p>23</p>  <p>Mid Drawer Top Panel Bottom - 1pc</p>	<p>24</p>  <p>Mid Drawer Bottom Face - 1pc</p>
<p>25</p>  <p>Mid Drawer Bottom Panel Rear - 1pc</p>	<p>26</p>  <p>Mid Drawer Bottom Panel Side (L) - 1pc</p>
<p>27</p>  <p>Mid Drawer Bottom Panel Side (R) - 1pc</p>	<p>28</p>  <p>Mid Drawer Bottom Panel Bottom - 1pc</p>

Hardware List - WF307971

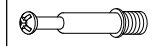
<p>A</p>  <p>ø6x35mm</p>	<p>B</p>  <p>ø14.5x12mm</p>	<p>C</p>  <p>ø13x1/4"x50mm</p>
<p>Three in one bolts (19pcs) Three in one lock (19pcs) Hex-Head bolts (2pcs)</p>		
<p>D</p>  <p>ø13x1/4"x28mm</p>	<p>E</p>  <p>ø10x13mm</p>	<p>F</p>  <p>ø1/4"x16x1mm</p>
<p>Hex-Head bolts (4pcs) Horizontal-Hole bolts - 2pcs Washer (4pcs)</p>		
<p>G</p> 	<p>H</p>  <p>ø7xø3.5x15mm</p>	<p>I</p>  <p>ø300x35mm</p>
<p>Damping hinge (2pcs) Flat head screw (12pcs) Slide rails (4pcs)</p>		
<p>J</p>  <p>ø298x18mm</p>	<p>K</p>  <p>ø200x35mm</p>	<p>L</p>  <p>ø198x18mm</p>
<p>Slide rails (4pcs) Slide rails (2pcs) Slide rails (2pcs)</p>		
<p>M</p>  <p>ø6xø3x12mm</p>	<p>N</p> 	<p>O</p>  <p>ø5/32"x15mm</p>
<p>Flat head screw (36pcs) Handle (5pcs) Handle screw (1pc)</p>		
<p>P</p>  <p>ø5/32"x19mm</p>	<p>Q</p>  <p>ø5/32"x22mm</p>	<p>R</p> 
<p>Handle screw (2pcs) Handle screw (2pcs) L-Bracket (2pcs)</p>		
<p>S</p>  <p>ø7xø3.5x12mm</p>	<p>T</p>  <p>ø8xø4x32mm</p>	<p>U</p>  <p>ø8xø4x25mm</p>
<p>Round head screw (4pcs) Round head screw (30pcs) Round head screw (4pcs)</p>		

Hardware List - WF307971

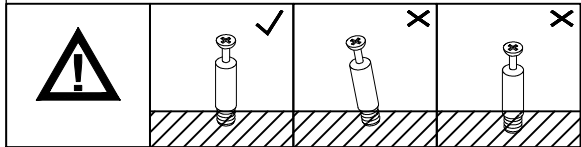
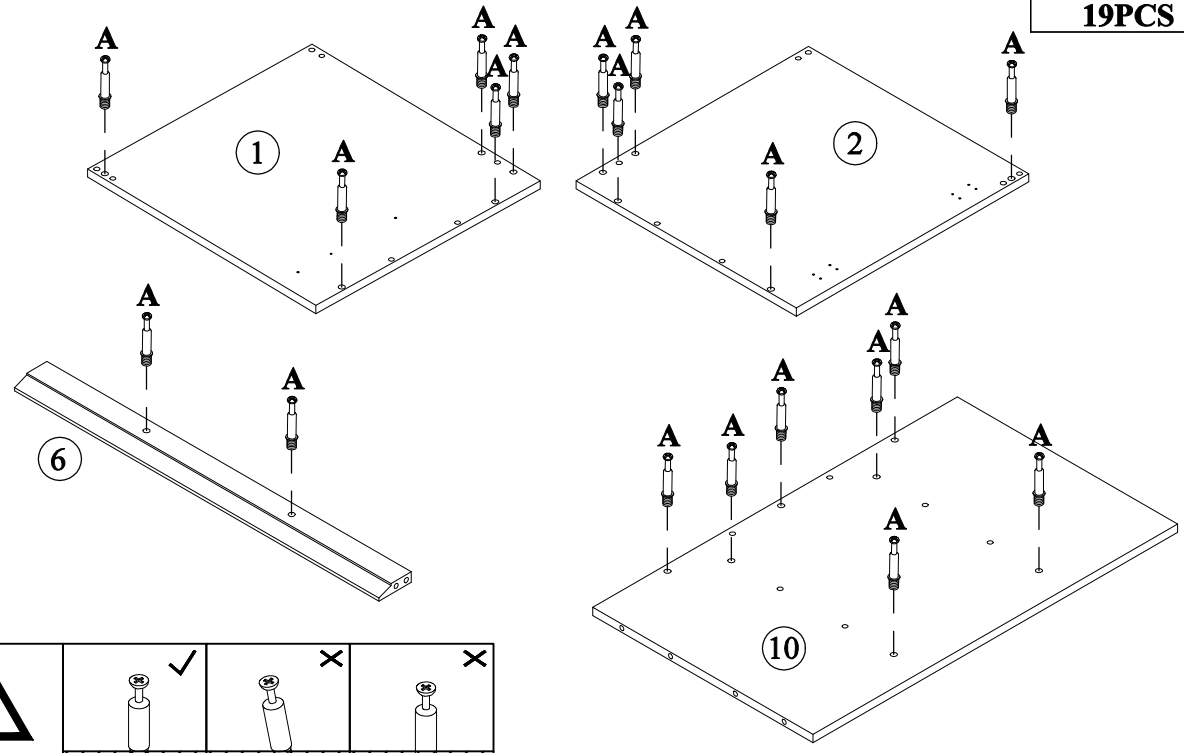
<p>V</p>  <p>ø8x30mm</p>	<p>W</p>  <p>ø10xø5x50mm</p>	<p>X</p>  <p>ø12x55mm</p>
<p>Wood dowel (22pcs)</p>	<p>Flat head screw - 4pcs</p>	<p>Plastic stopper - 4pcs</p>
<p>Y</p>  <p>4mm</p> <p>Allen key (1pc)</p>		

STEP: 1

A



19PCS



STEP: 2

I



4PCS

K

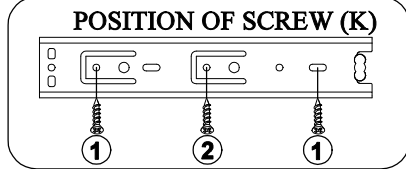
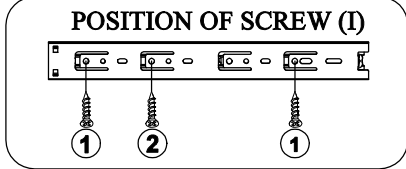
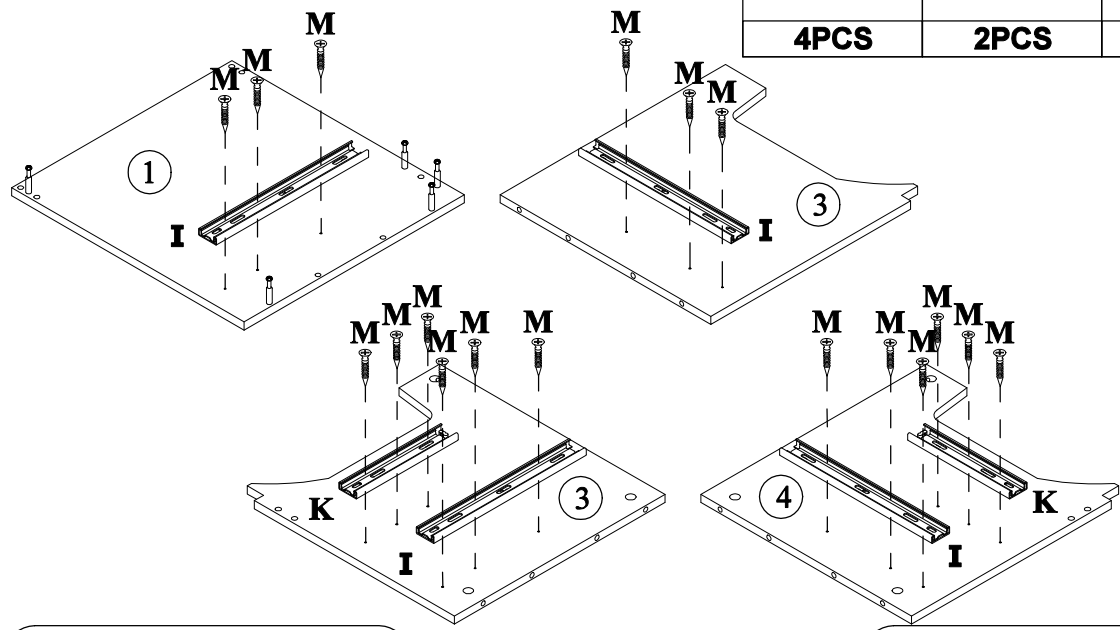


2PCS


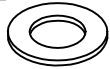
M

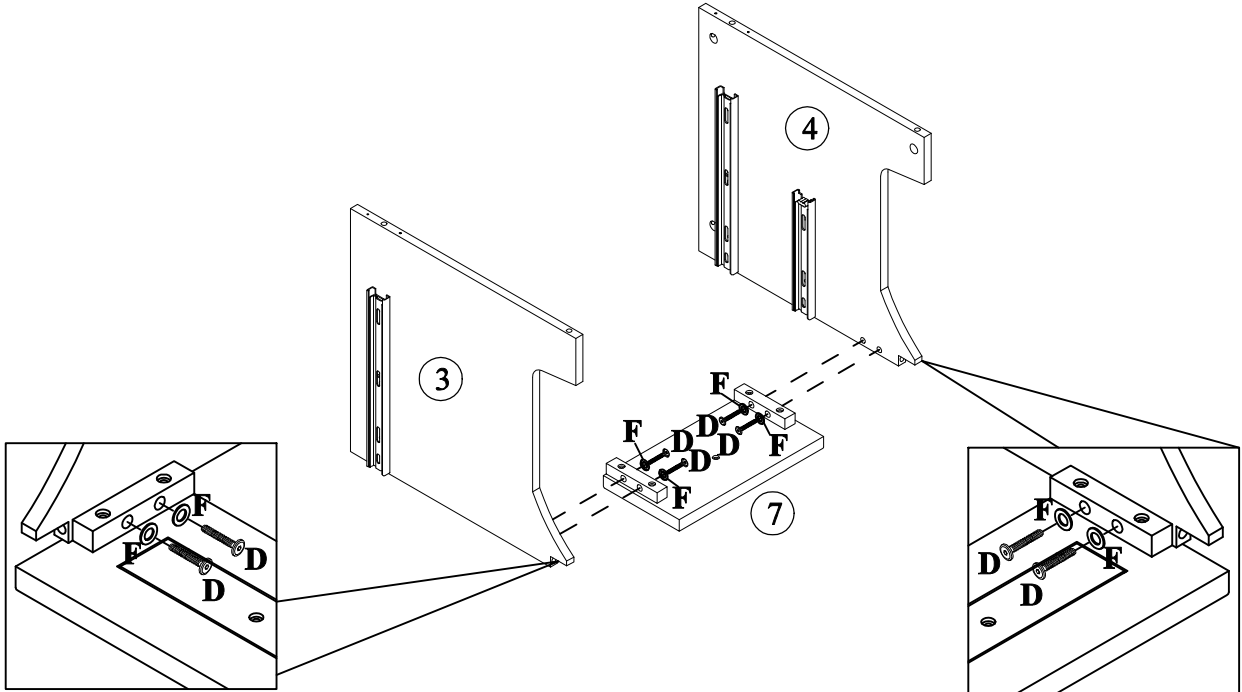


18PCS








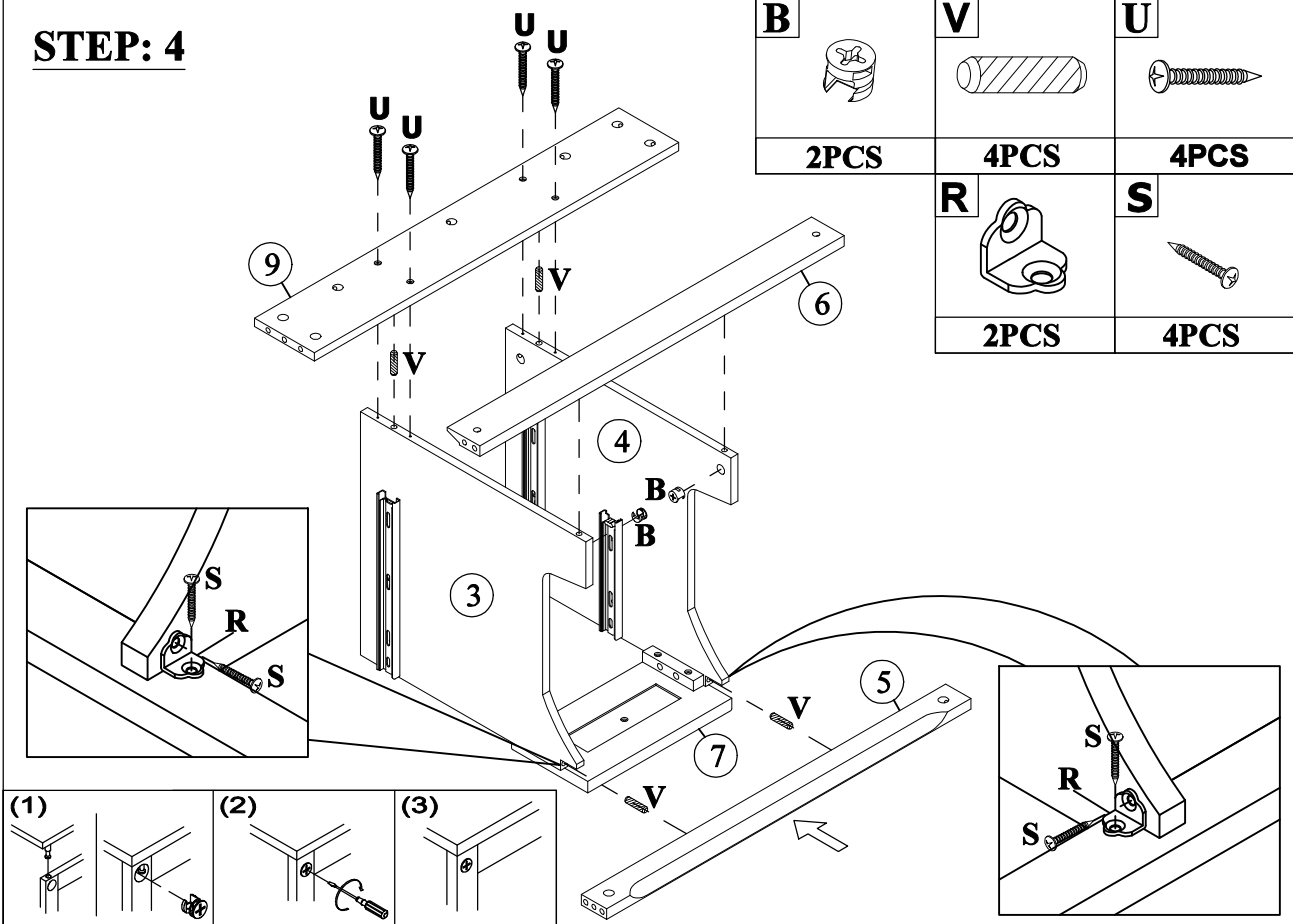
STEP: 3

D	F
	
4PCS	4PCS


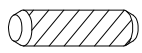


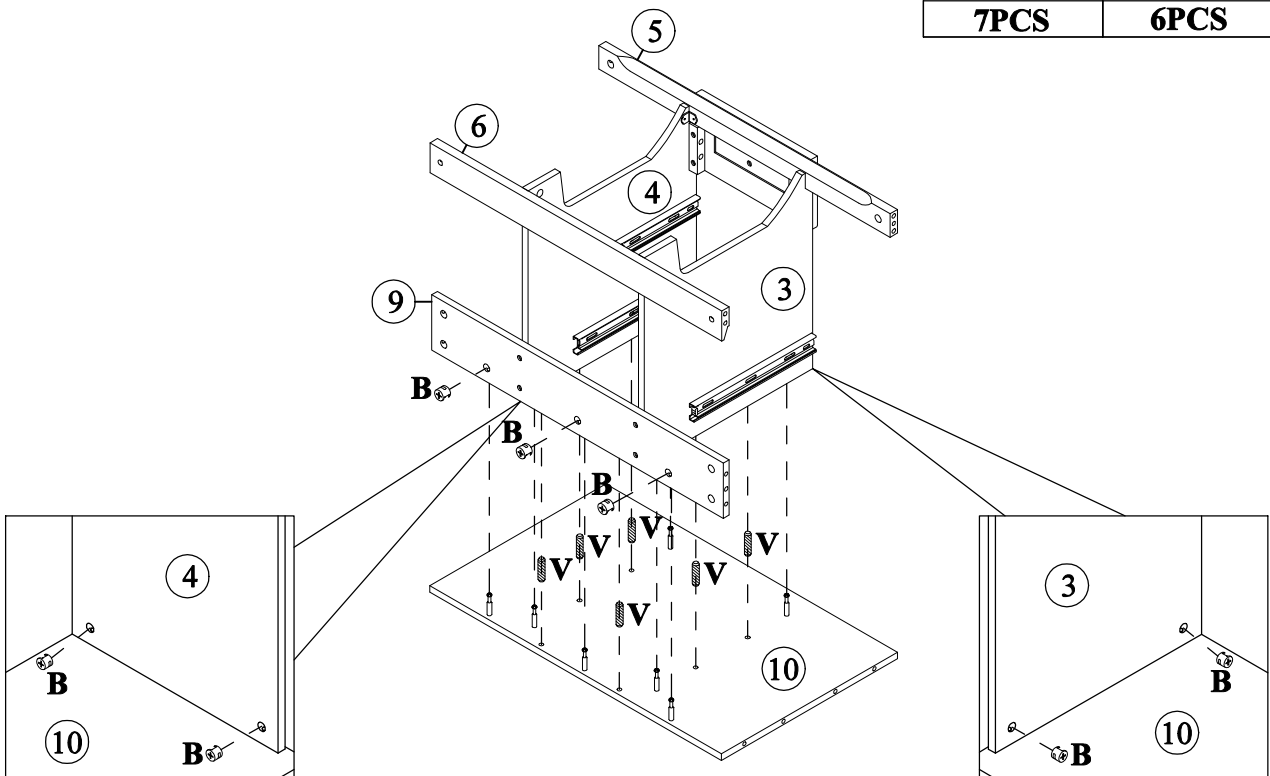
STEP: 4

B	V	U
		
2PCS	4PCS	4PCS
R	S	
		
2PCS	4PCS	


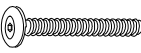




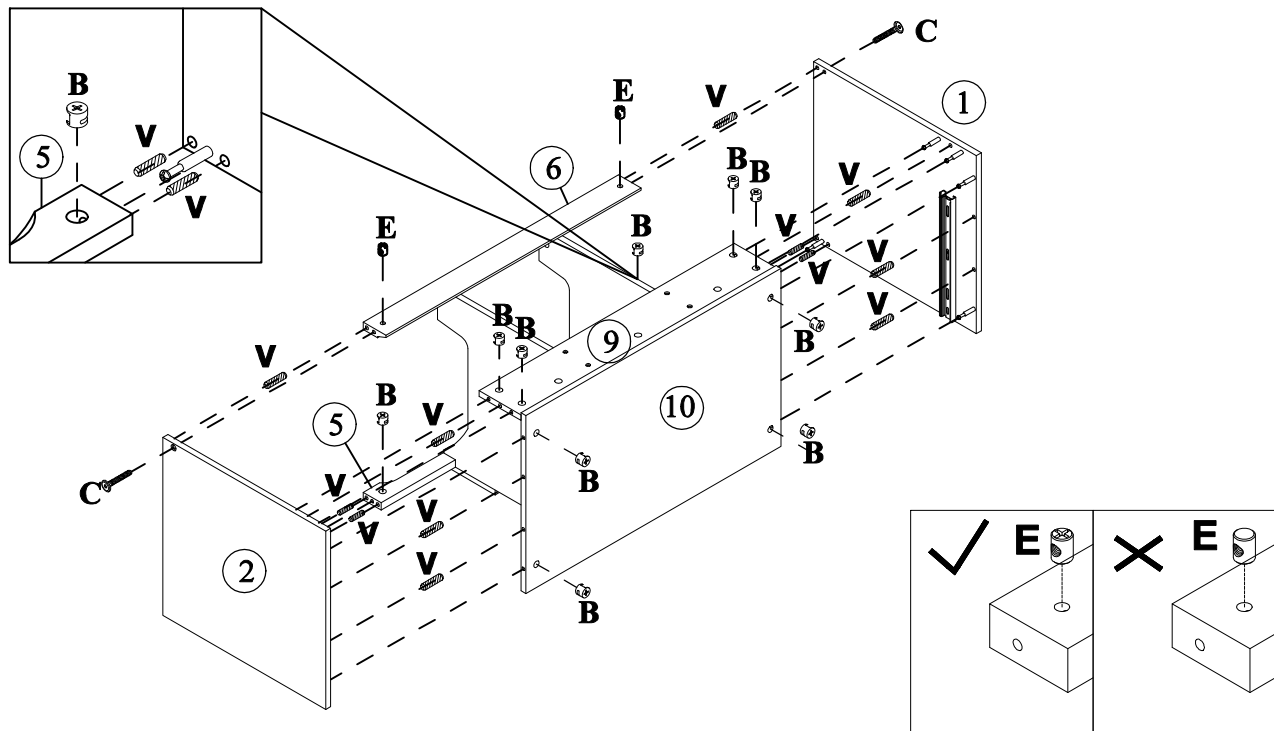
STEP: 5

B		V	
	7PCS		6PCS

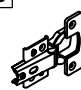
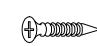


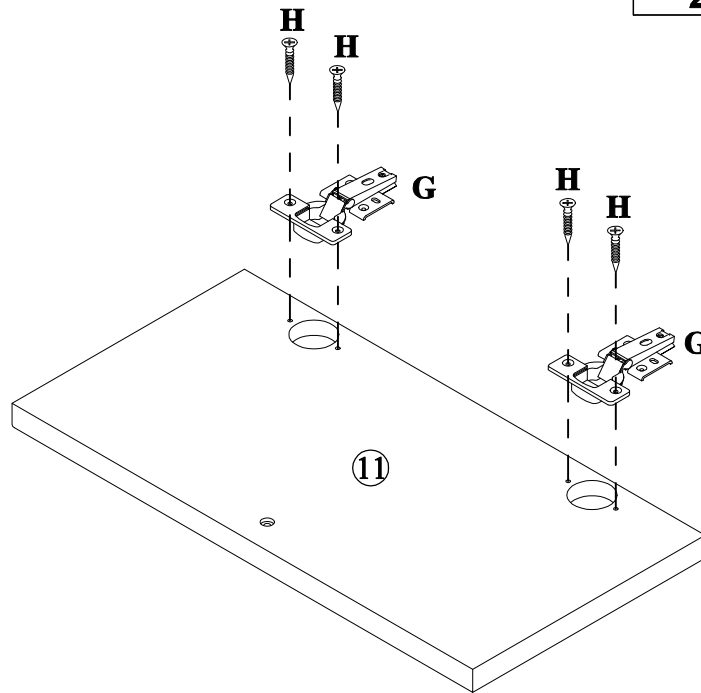
STEP: 6

B		C		E		V	
	10PCS		2PCS		2PCS		12PCS


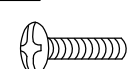
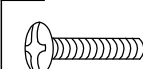
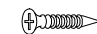


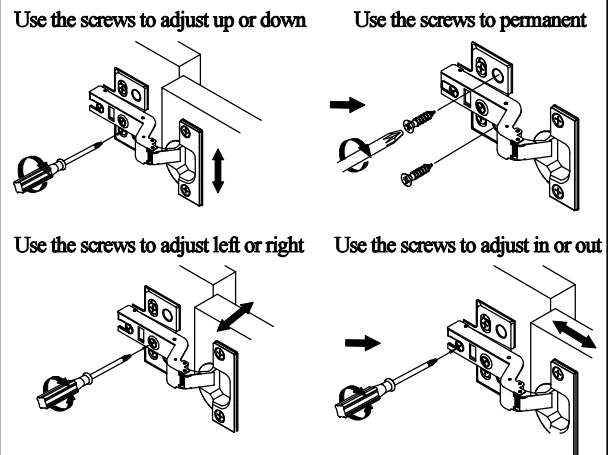
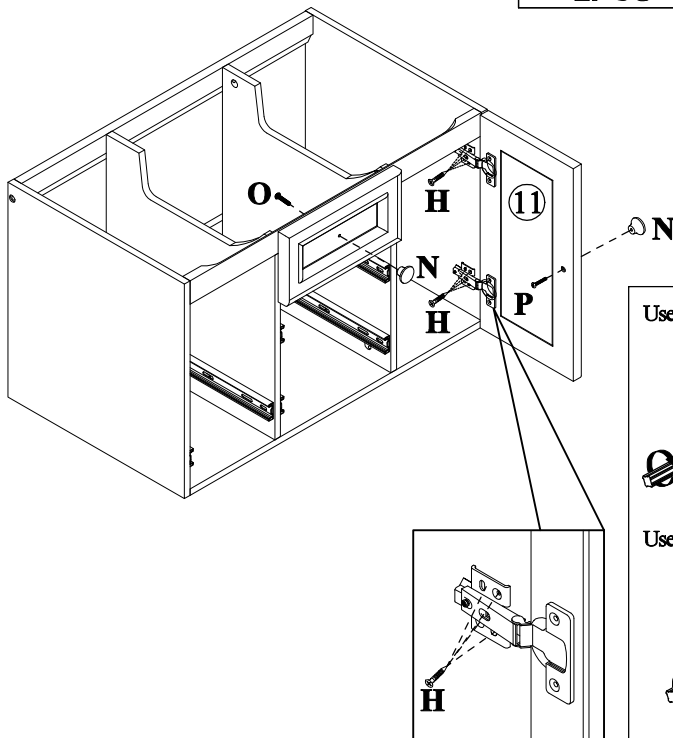
STEP: 7

G	H
	
2PCS	4PCS





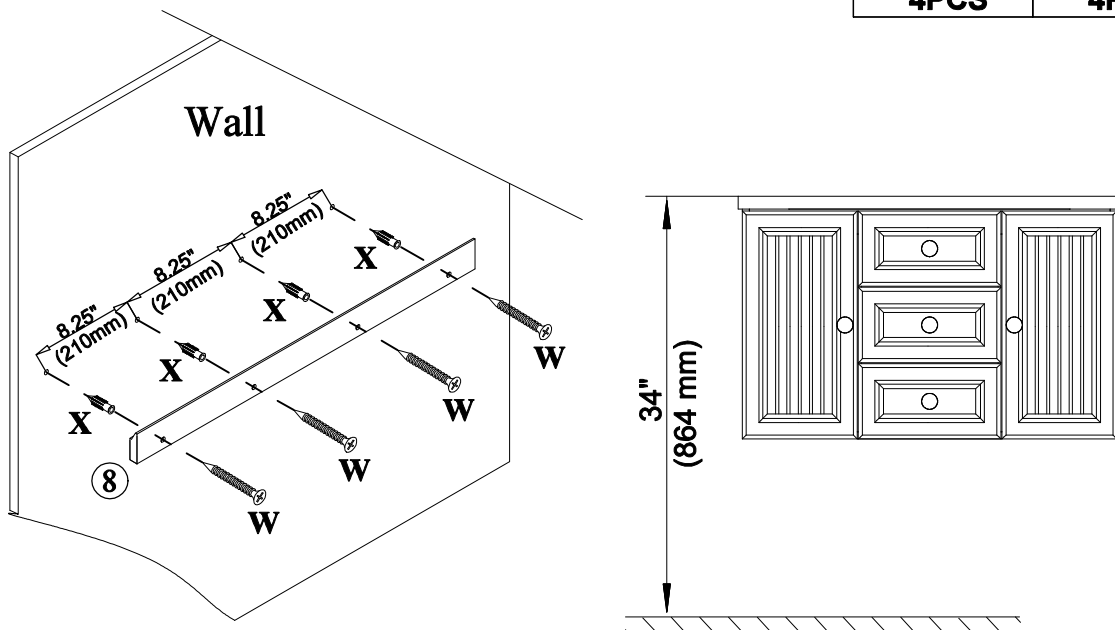
STEP: 8

N	O	P	H
			
2PCS	1PC	1PC	8PCS



STEP: 9

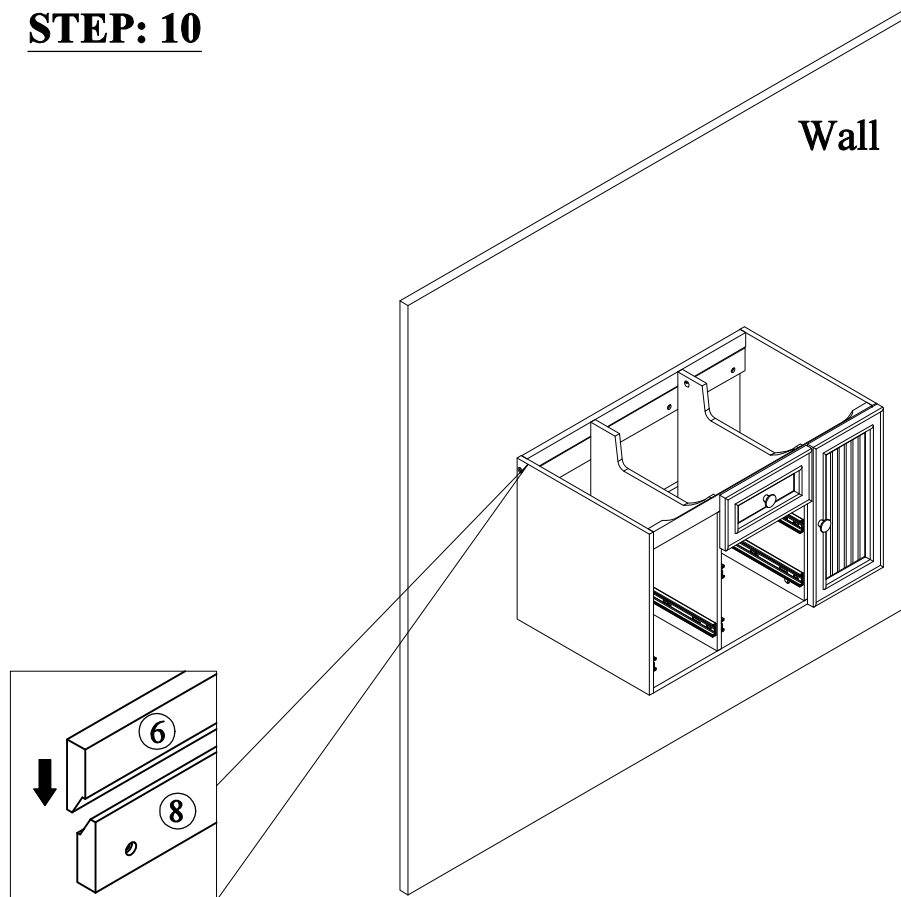
W	X
	
4PCS	4PCS



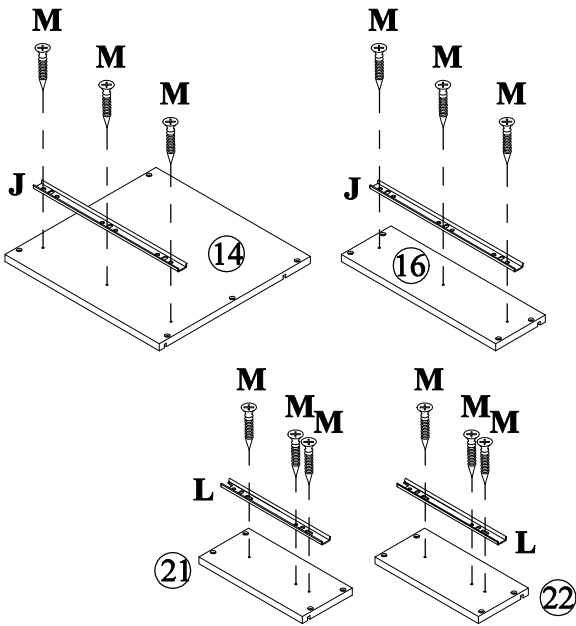
Draw the spacing between the walls and the No.8, punch holes in the wall, and fix the No.8 to the wall with screws.

Note: Appropriate distance from the top of sink to the ground is 34".

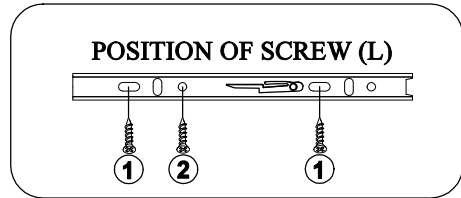
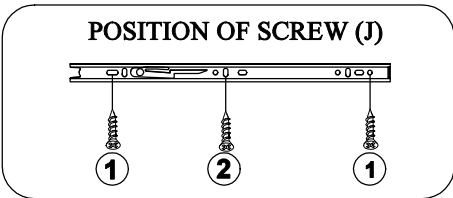
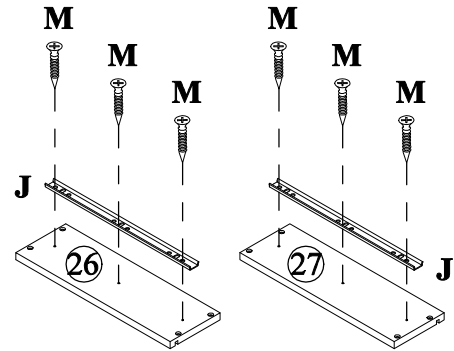
STEP: 10



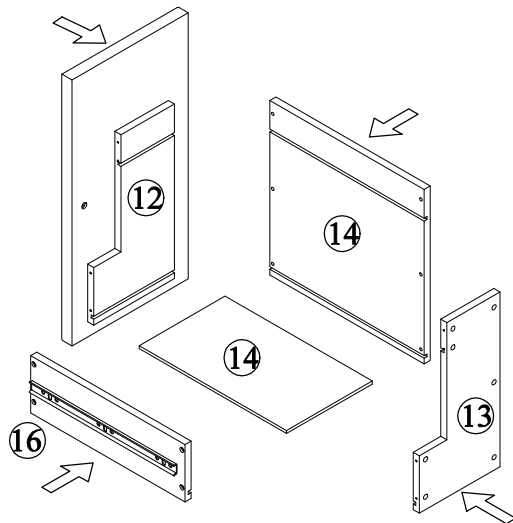
STEP: 11



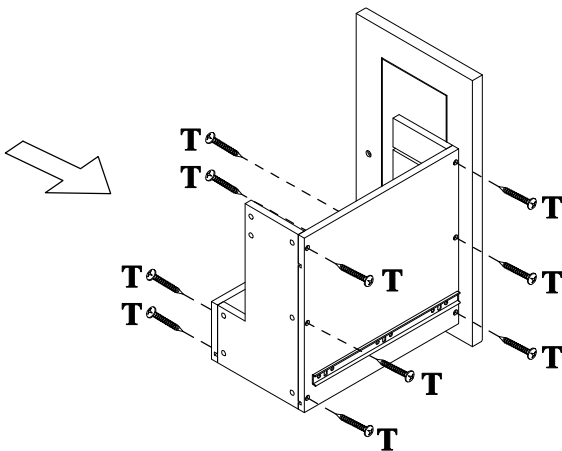
J	L	M
4PCS	2PCS	18PCS



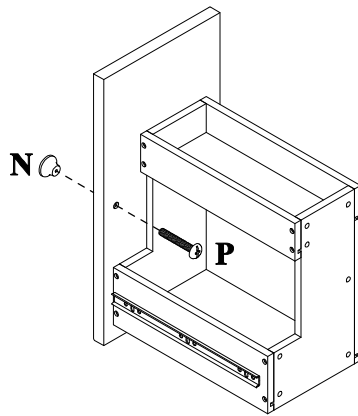
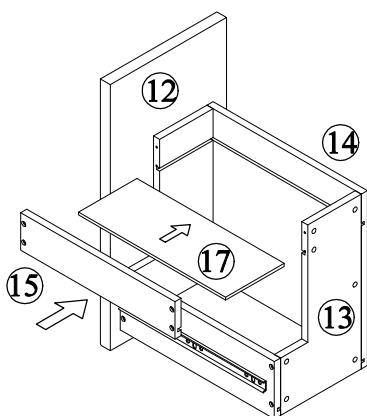
STEP: 12


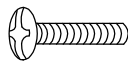



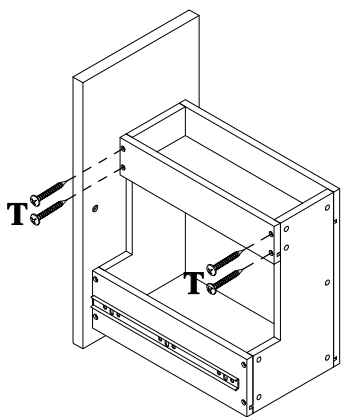
T
10PCS



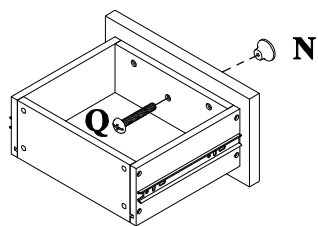
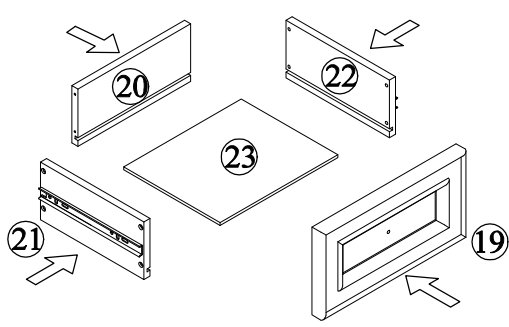
STEP: 13


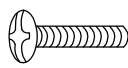



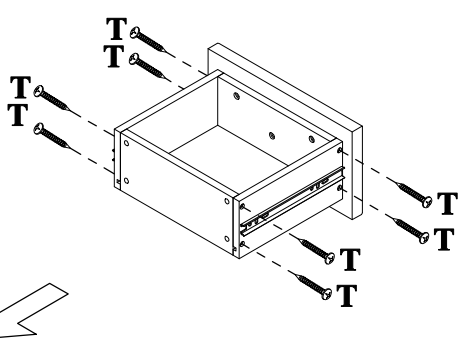
N		P		T	
	1PC		1PC		4PCS



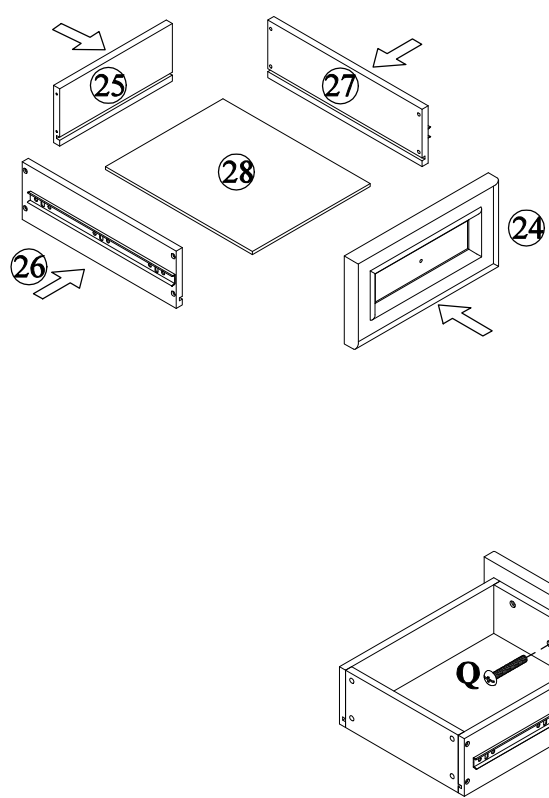
STEP: 14


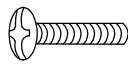



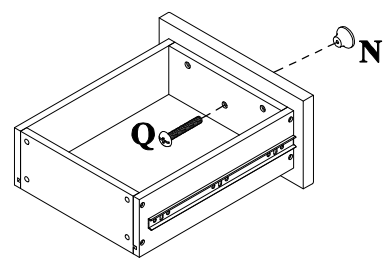
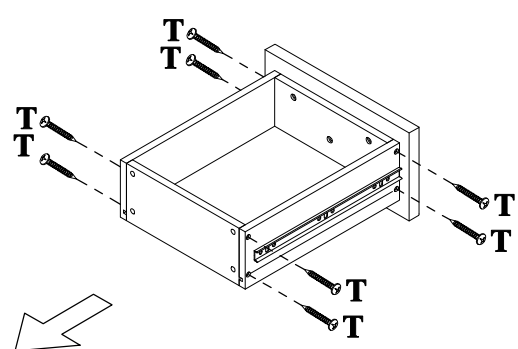
N		Q		T	
	1PC		1PC		8PCS



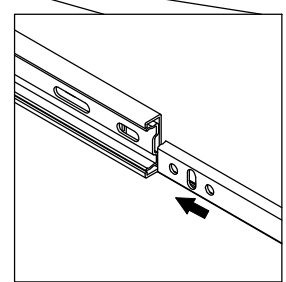
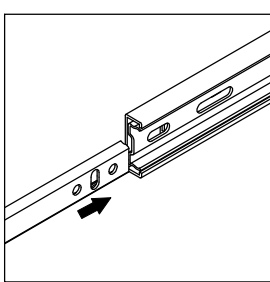
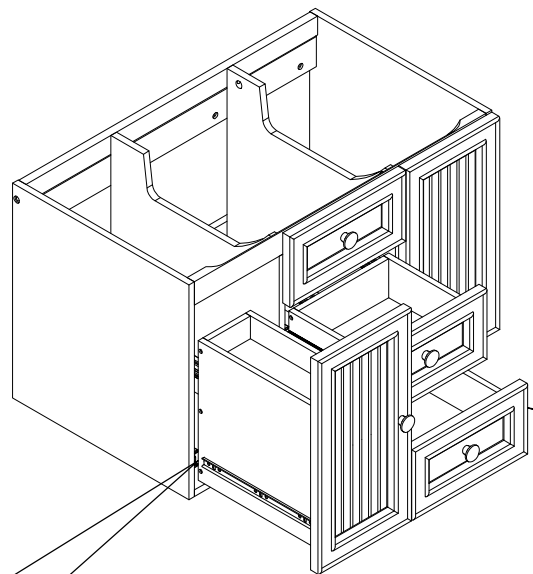
STEP: 15



N		Q		T	
	1PC		1PC		8PCS

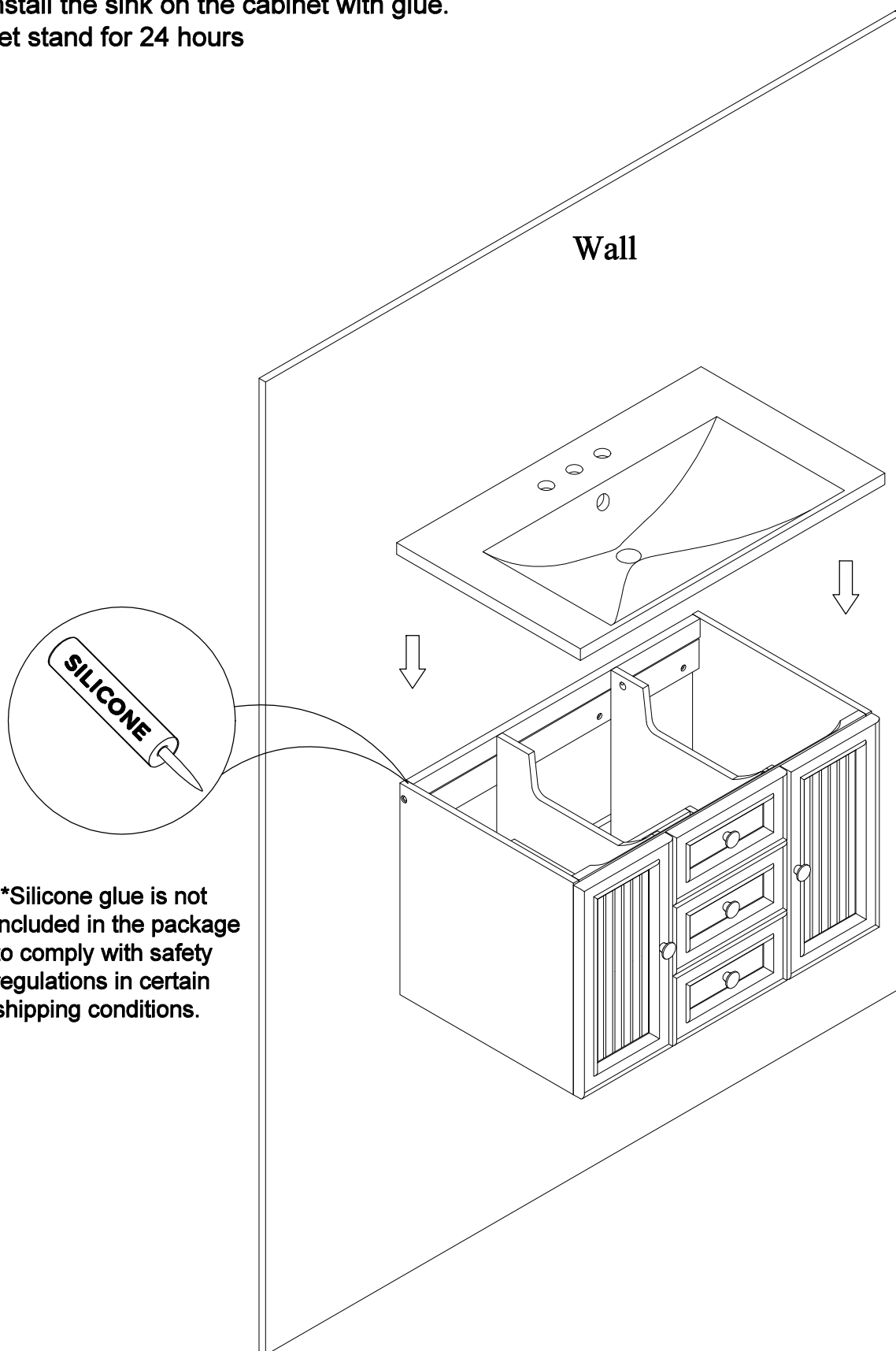


STEP: 16



STEP: 17

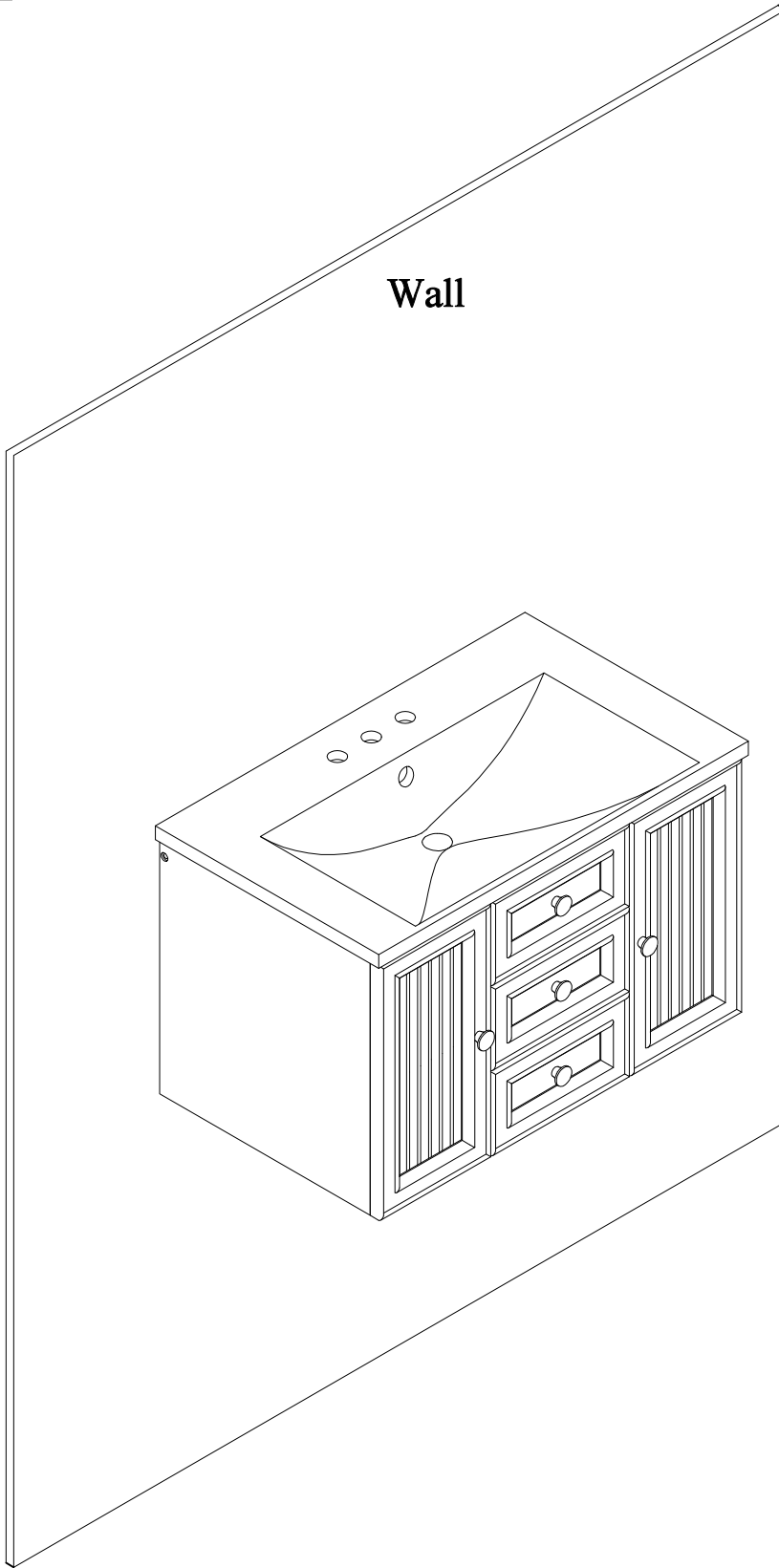
**Install the sink on the cabinet with glue.
Let stand for 24 hours**



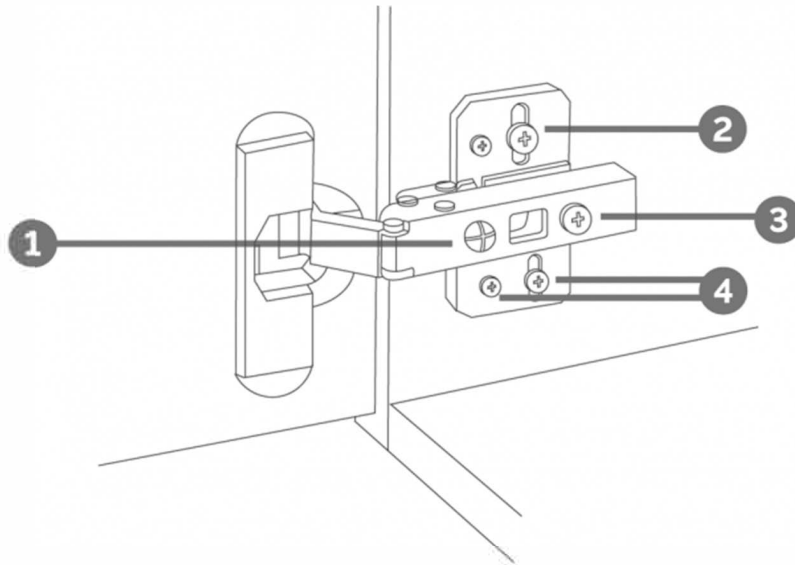
***Silicone glue is not included in the package to comply with safety regulations in certain shipping conditions.**

STEP: 18

Wall

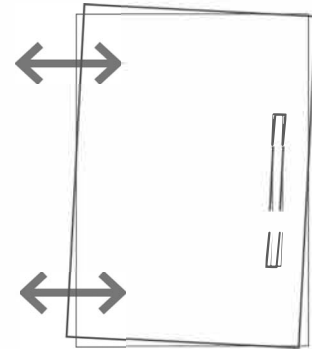


HINGE ADJUSTMENTS



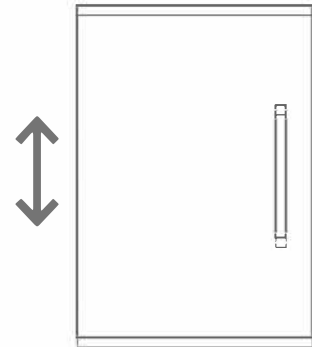
1 Sideways / Tilt adjustment

Turn the screw
clockwise to move the door further away from
the side of the cabinet
anticlockwise to move the door closer to the
side of the cabinet



2 4 Height adjustment

While supporting the weight of the door, turn the
screws
clockwise to move the door up
anticlockwise to move the door down



3 Forward and back adjustment

If the gap between the back of the door and the
cabinet is too small, and the door may not close
fully. Turn the screw
clockwise to decrease the gap between the
door and the cabinet
anticlockwise to increase the gap between the
door and the cabinet

