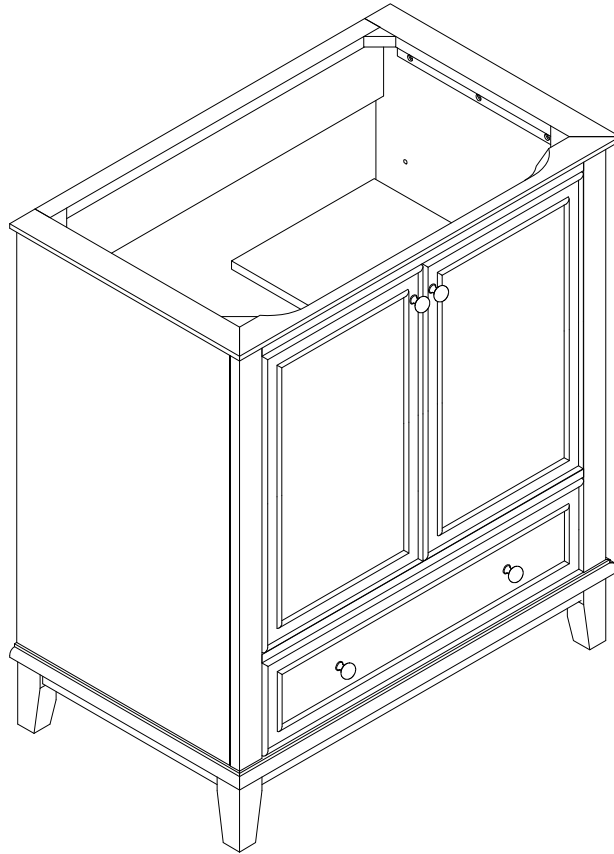


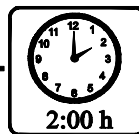
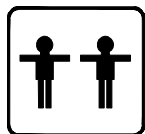
# ASSEMBLY INSTRUCTIONS

## BATH VANITY-CABINET

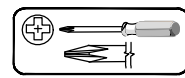


Thank you for purchasing this quality product. Be sure to check all packing material carefully for small parts which may have come loose inside the carton during shipment. Separate, identify and count all parts and hardware. Compare with the parts list to be sure all parts are present.  
**"DO NOT TIGHTEN SCREWS UNTIL COMPLETELY ASSEMBLED"**

**\* Use of power tool to assemble this product will invalidate any claim and damage this product making unsafe !!!**  
**\* Please assemble on a clean soft surface to avoid damage.**



### Tools Required



(Not included)



(Not included)

**IMPORTANT:**

**PLEASE READ INSTRUCTION BEFORE STARTING THE ASSEMBLY**

**Thank you for buying our products.**

**Please read the installation manual carefully before installation,**

**we need you to follow the instructions on the accessories and hardware**

**step by step assembly complete, our instructions are very detailed.**

**Products are environmentally friendly products,**

**Please rest assured that you do not soak in water, do not place very heavy items,**

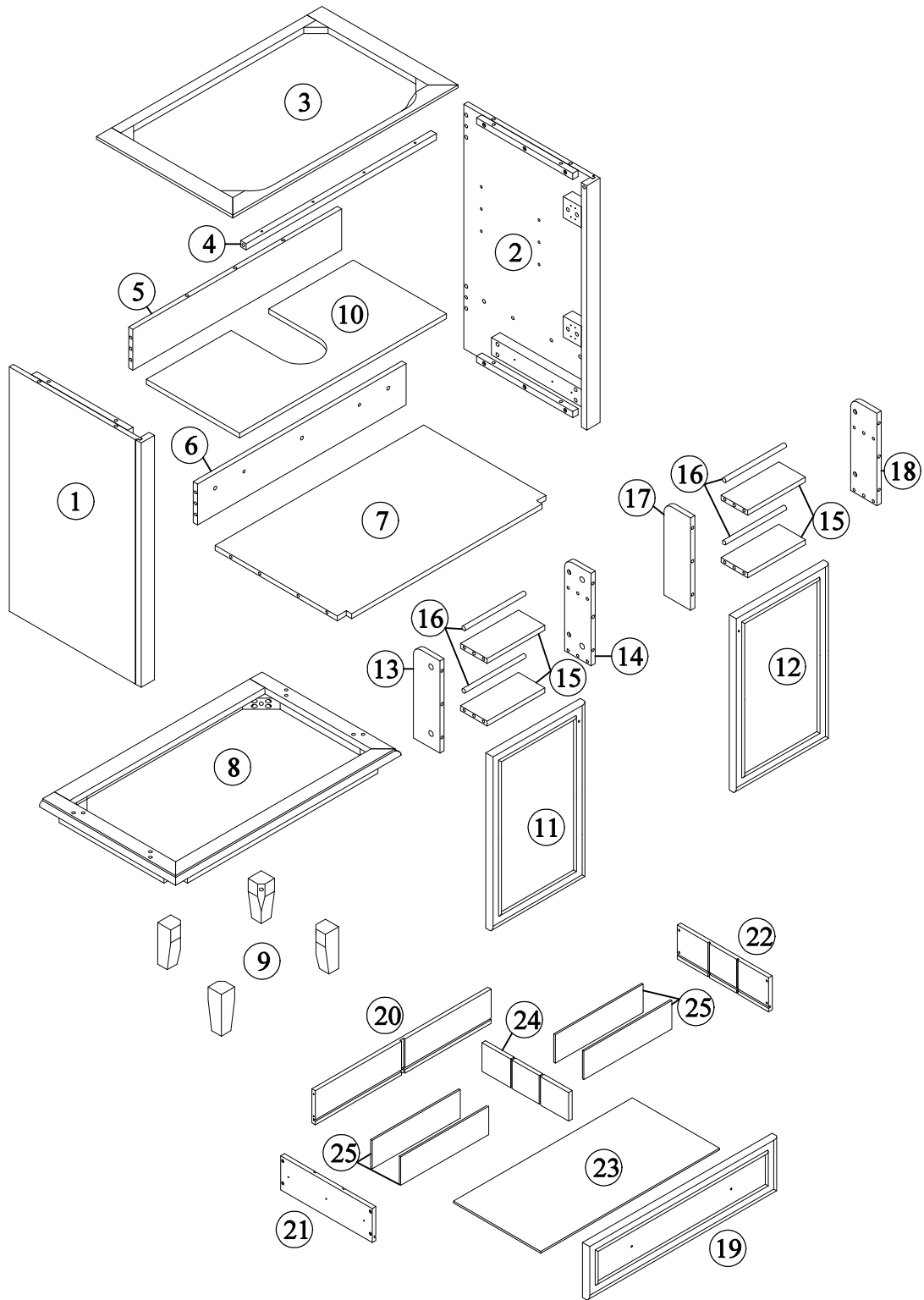
**do not malicious push and pull,**

**if you have any problems in the process of assembly and use, please contact us.**

**Thank you again for your purchase of our products,**


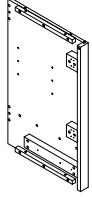
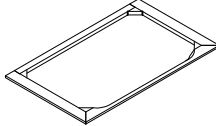
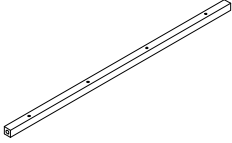
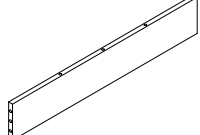
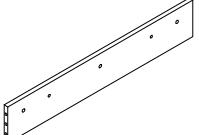
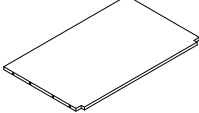
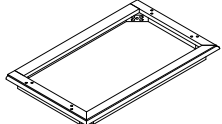

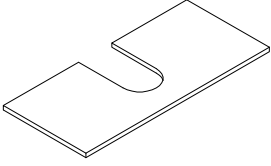
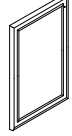
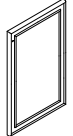


**I wish you a happy life.**

# Detail View - CABINET

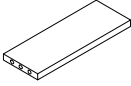
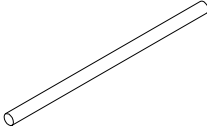

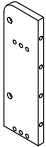
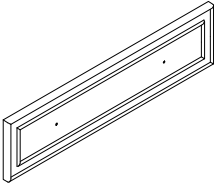
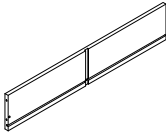
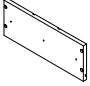
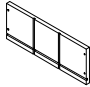
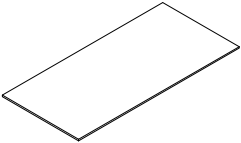
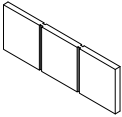
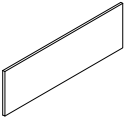


**Identifying the Hardware**-Identify the hardware using the illustrations below.

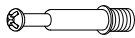




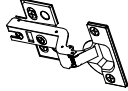
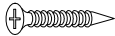
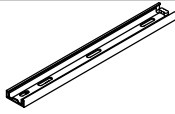
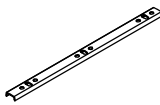
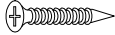

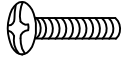

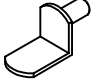



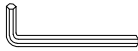
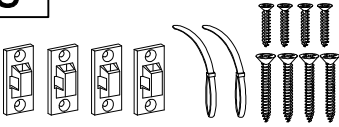
# Part List - WF306250

<p><b>1</b></p>  <p><b>Side Panel (L) - 1pc</b></p>	<p><b>2</b></p>  <p><b>Side Panel (R) - 1pc</b></p>
<p><b>3</b></p>  <p><b>Frame Top - 1pc</b></p>	<p><b>4</b></p>  <p><b>Front Bar Top - 1pc</b></p>
<p><b>5</b></p>  <p><b>Rear Panel Top - 1pc</b></p>	<p><b>6</b></p>  <p><b>Rear Panel Bottom - 1pc</b></p>
<p><b>7</b></p>  <p><b>Frame Mid - 1pc</b></p>	<p><b>8</b></p>  <p><b>Frame Bottom - 1pc</b></p>
<p><b>9</b></p>  <p><b>Foot - 4pcs</b></p>	<p><b>10</b></p>  <p><b>Adjustable Shelf - 1pc</b></p>
<p><b>11</b></p>  <p><b>Door (L) - 1pc</b></p>	<p><b>12</b></p>  <p><b>Door (R) - 1pc</b></p>
<p><b>13</b></p>  <p><b>Panel Left Side Door (L) - 1pc</b></p>	<p><b>14</b></p>  <p><b>Panel Right Side Door (L) - 1pc</b></p>

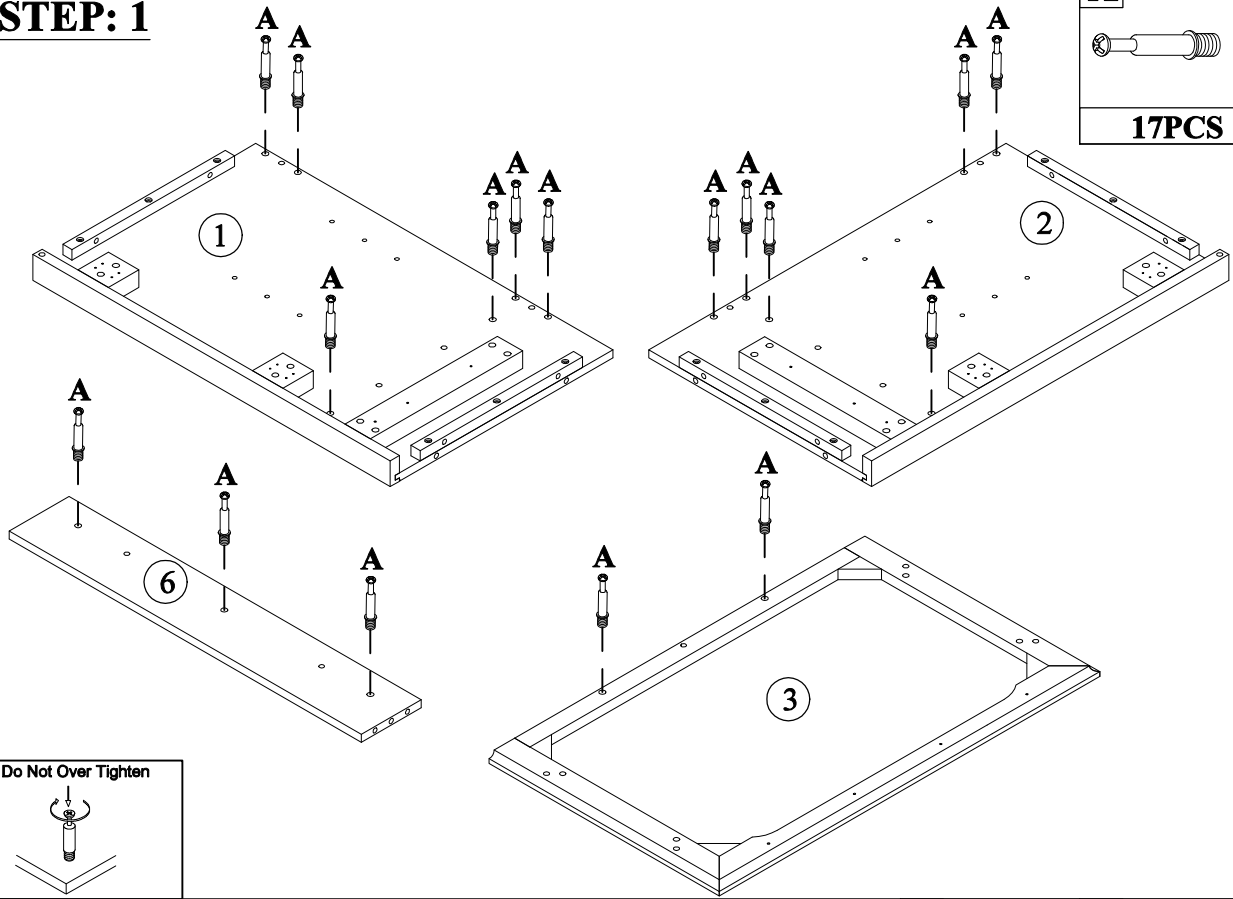
# Part List - WF306250

<p><b>15</b></p>  <p><b>Panel Mid Door - 4pcs</b></p>	<p><b>16</b></p>  <p><b>Round Bar Door - 4pcs</b></p>
<p><b>17</b></p>  <p><b>Panel Left Side Door (R) - 1pc</b></p>	<p><b>18</b></p>  <p><b>Panel Right Side Door (R) - 1pc</b></p>
<p><b>19</b></p>  <p><b>Drawer Face - 1pc</b></p>	<p><b>20</b></p>  <p><b>Drawer Rear - 1pc</b></p>
<p><b>21</b></p>  <p><b>Drawer Side(L) - 1pc</b></p>	<p><b>22</b></p>  <p><b>Drawer Side(R) - 1pc</b></p>
<p><b>23</b></p>  <p><b>Drawer Bottom - 1pc</b></p>	<p><b>24</b></p>  <p><b>Drawer Mid - 1pc</b></p>
<p><b>25</b></p>  <p><b>Drawer divide - 4pcs</b></p>	

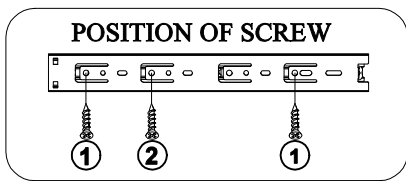
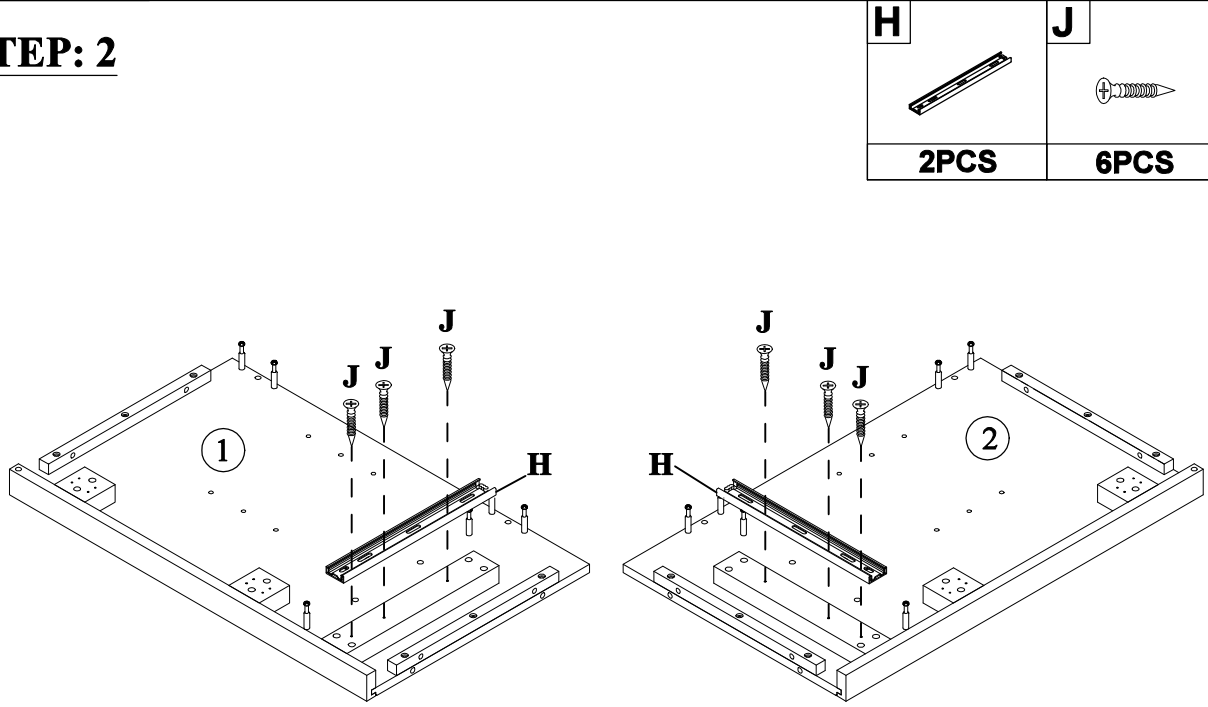
# Hardware List - WF306250

<b>A</b>  ø6x35mm	<b>B</b>  ø14.5x12mm	<b>C</b>  ø13x1/4"x28mm
Three in one bolts (41pcs)	Three in one lock (41pcs)	Hex-Head bolts (8pcs)
<b>D</b>  ø13x1/4"x38mm Hex-Head bolts (4pcs)	<b>E</b>  ø1/4"x16x1mm Washer (12pcs)	<b>F</b>  Damping hinge (4pcs)
<b>G</b>  ø7xø3.5x15mm Flat head screw (24pcs)	<b>H</b>  ø300x35mm Slide rails (2pcs)	<b>I</b>  ø298x18mm Slide rails (2pcs)
<b>J</b>  ø6xø3x12mm Flat head screw (12pcs)	<b>K</b>  Handle (4pcs)	<b>L</b>  ø5/32"x15mm Handle screw (2pcs)
<b>M</b>  ø5/32"x28mm Handle screw (2pcs)	<b>N</b>  Laminate pad(4pcs)	<b>O</b>  ø8xø4x30mm Round head screw (8pcs)
<b>P</b>  ø8xø4x25mm Round head screw (4pcs)	<b>Q</b>  ø8x30mm Wood dowel (33pcs)	<b>R</b>  4mm Allen key (1pc)
<b>S</b>  Anti fall hardware (1set)		


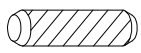
# STEP: 1

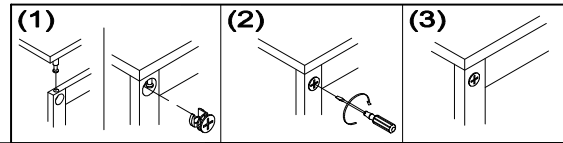
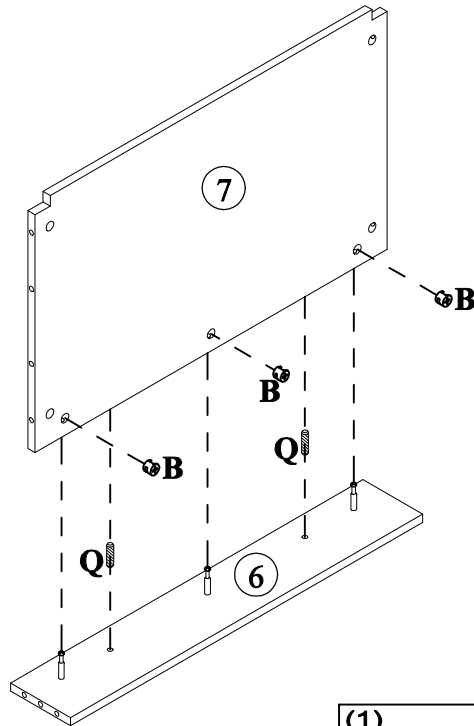


# STEP: 2


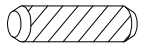


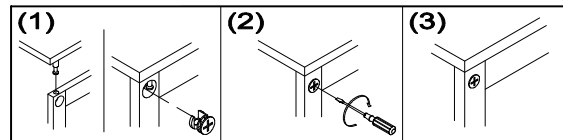
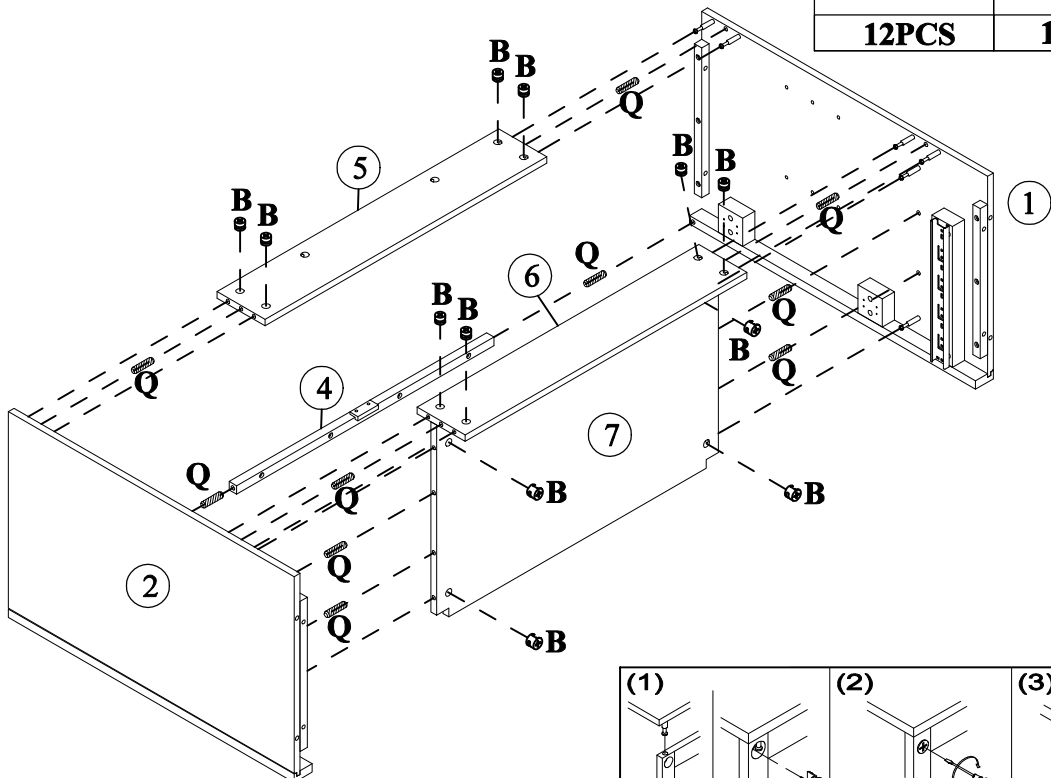
**STEP: 3**

<b>B</b>		<b>Q</b>	
	<b>3PCS</b>		<b>2PCS</b>




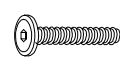


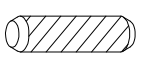
**STEP: 4**

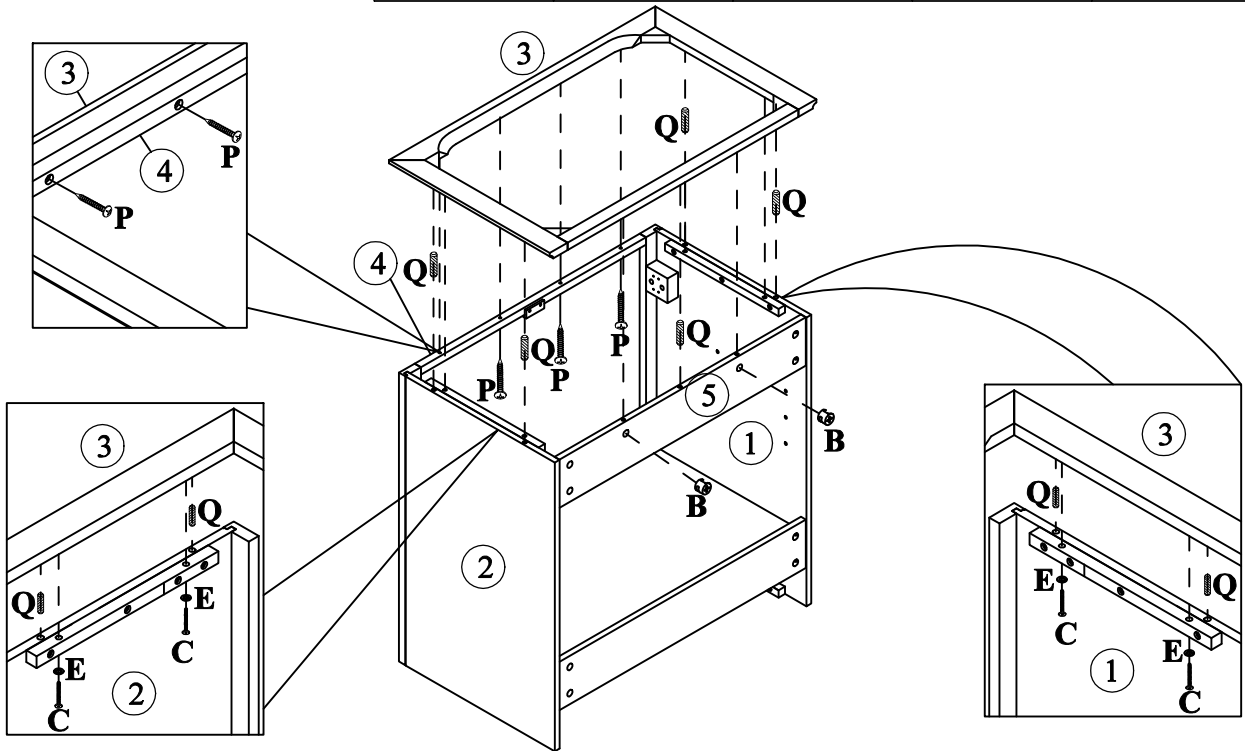
<b>B</b>		<b>Q</b>	
	<b>12PCS</b>		<b>10PCS</b>



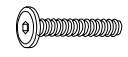



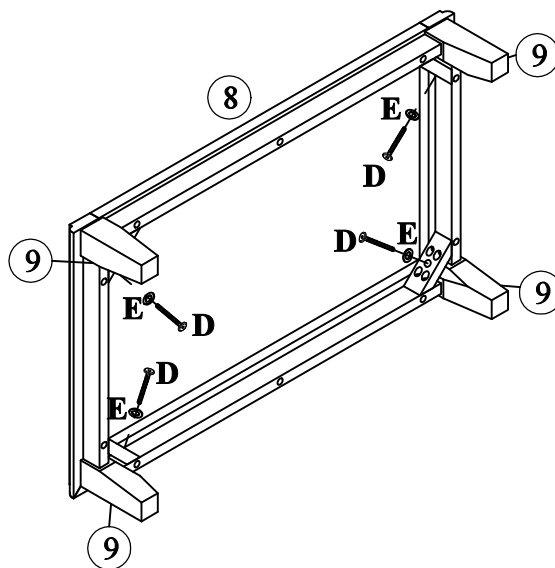
**STEP: 5**

<b>B</b>		<b>C</b>		<b>E</b>		<b>P</b>		<b>Q</b>	
<b>2PCS</b>		<b>4PCS</b>		<b>4PCS</b>		<b>4PCS</b>		<b>5PCS</b>	






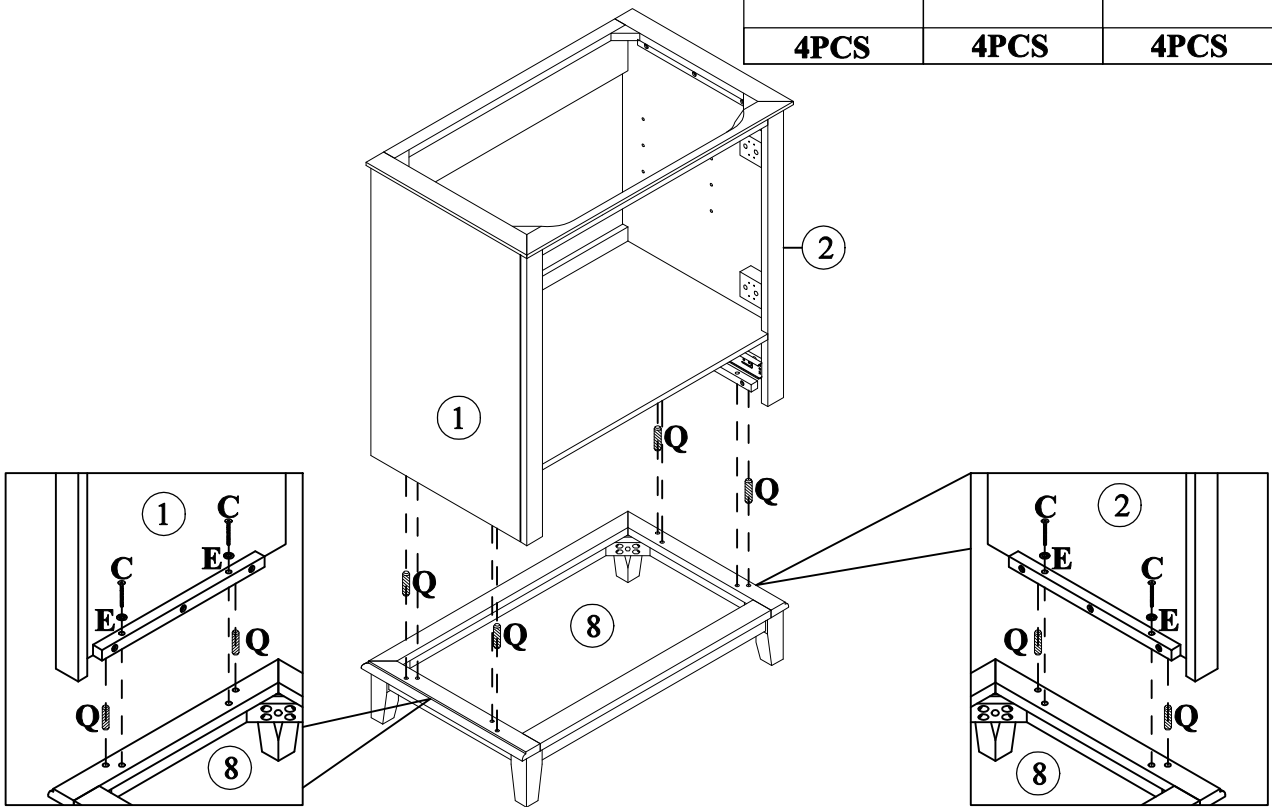
**STEP: 6**

<b>D</b>		<b>E</b>	
<b>4PCS</b>		<b>4PCS</b>	

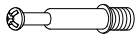


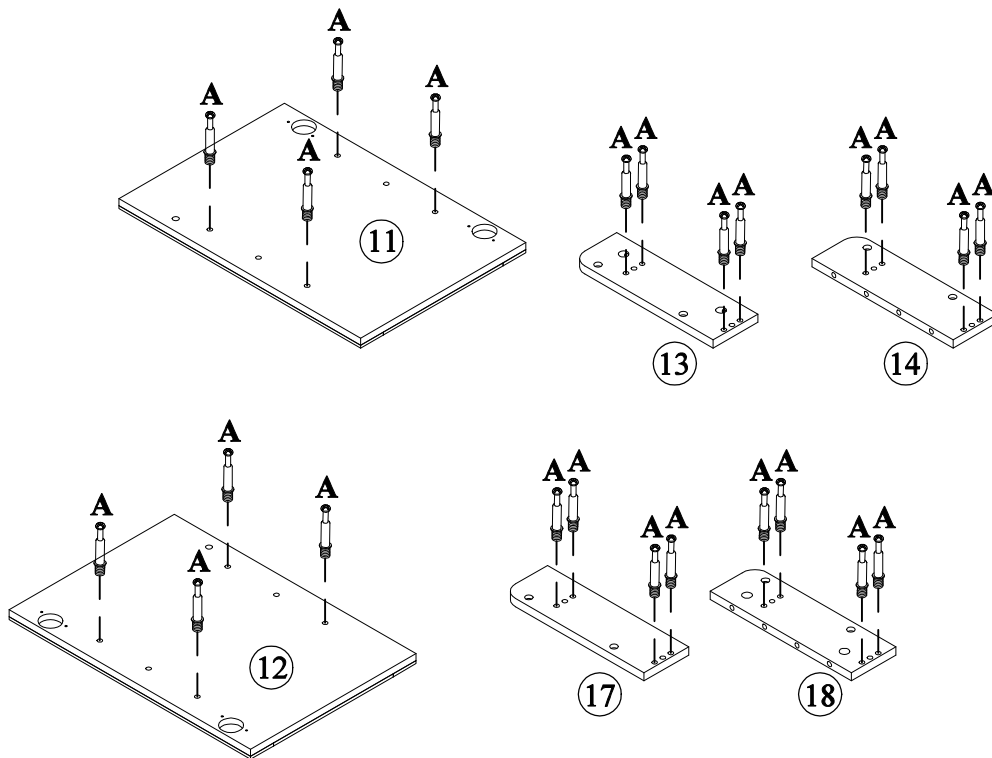
# STEP: 7

<b>C</b>	<b>E</b>	<b>Q</b>
		
<b>4PCS</b>	<b>4PCS</b>	<b>4PCS</b>


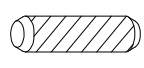

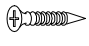


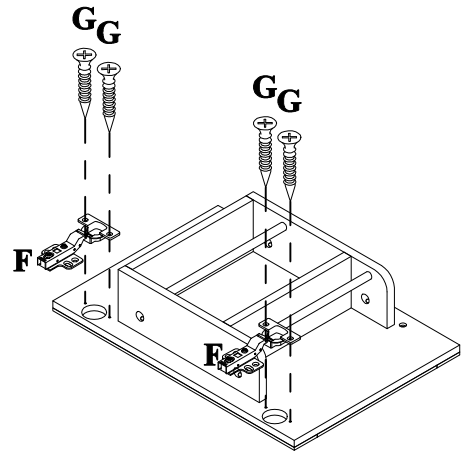
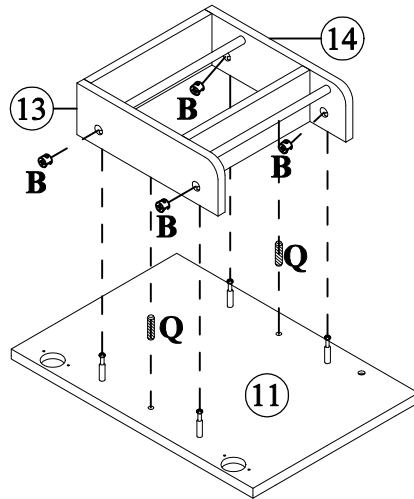
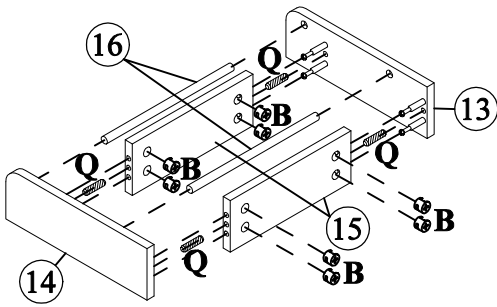
# STEP: 8

<b>A</b>

<b>24PCS</b>


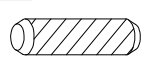

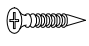


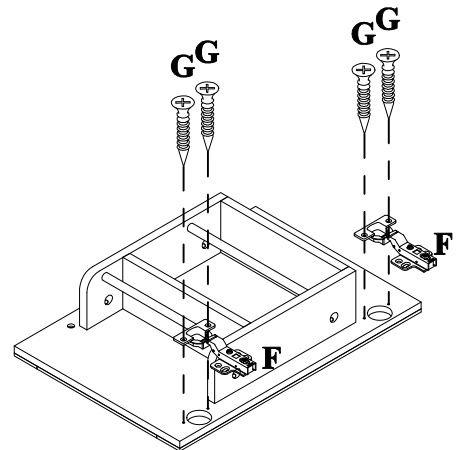
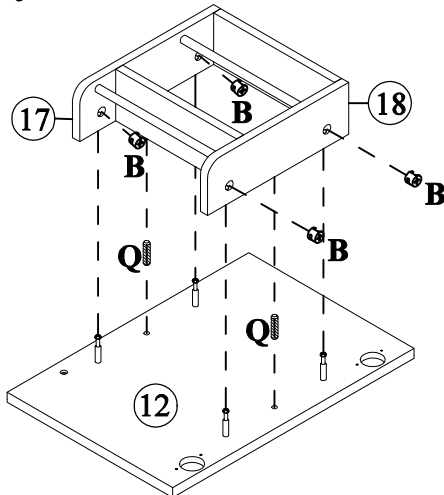
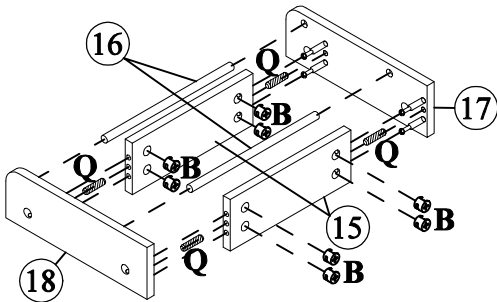
### STEP: 9

B	Q	F	G
			
12PCS	6PCS	2PCS	4PCS


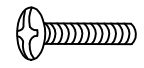



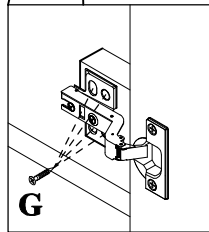
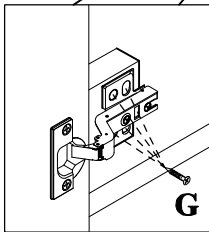
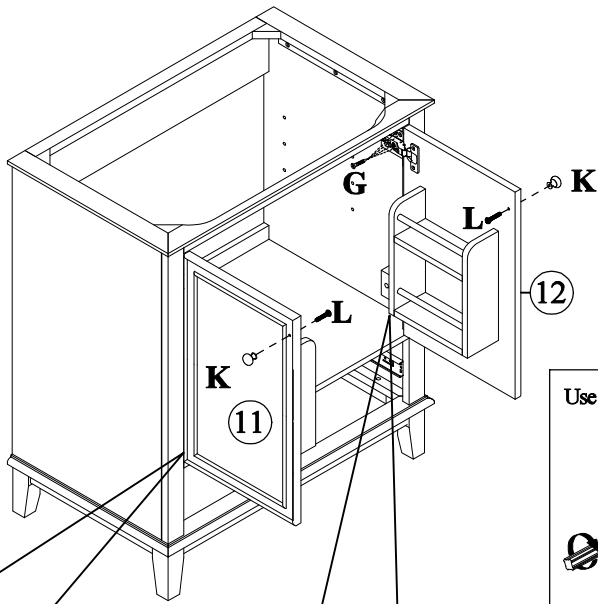
### STEP: 10

B	Q	F	G
			
12PCS	6PCS	2PCS	4PCS

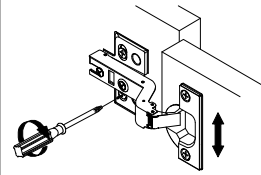


# STEP: 11

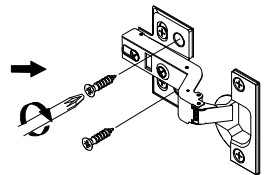
<b>K</b> 	<b>L</b> 	<b>G</b> 
<b>2PCS</b>	<b>2PC</b>	<b>16PCS</b>



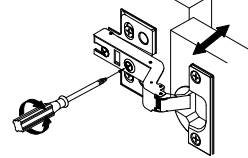
Use the screws to adjust up or down



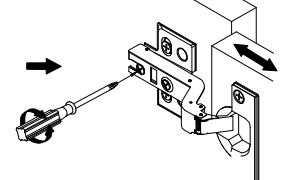
Use the screws to permanent




Use the screws to adjust left or right

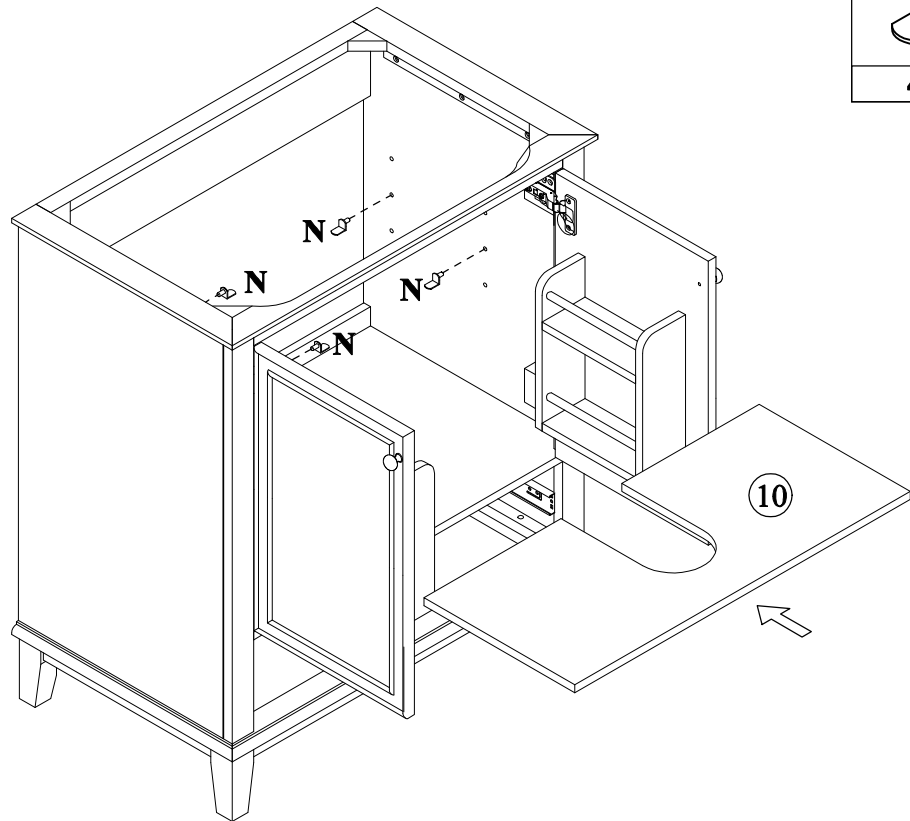


Use the screws to adjust in or out

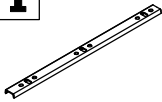
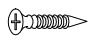


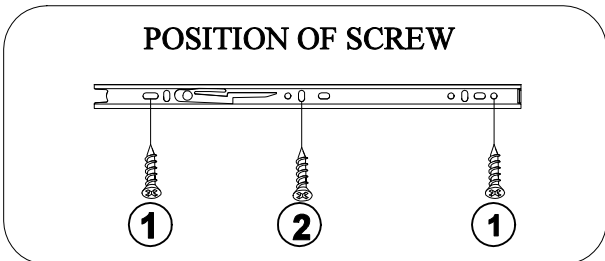
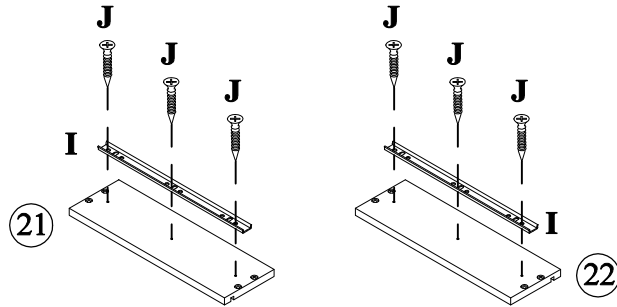
# STEP: 12

<b>N</b> 
<b>4PCS</b>

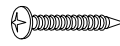


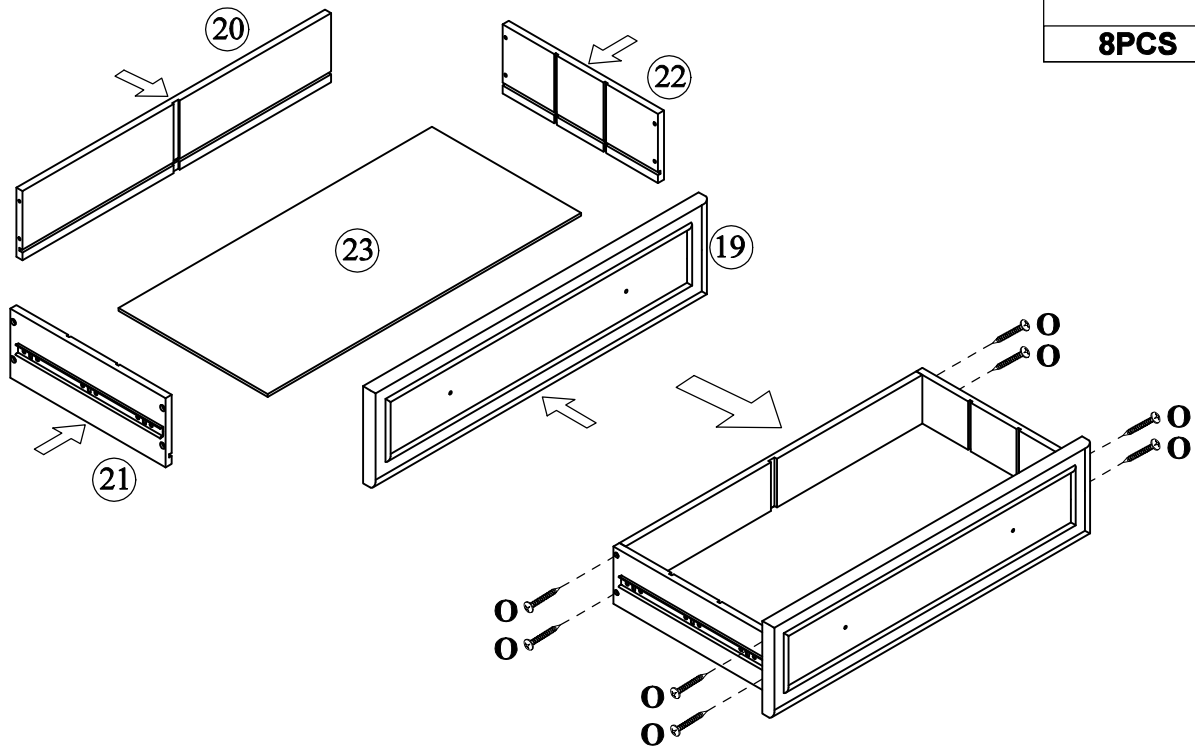
# STEP: 13

<b>I</b>		<b>J</b>	
	<b>2PCS</b>		<b>6PCS</b>


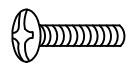


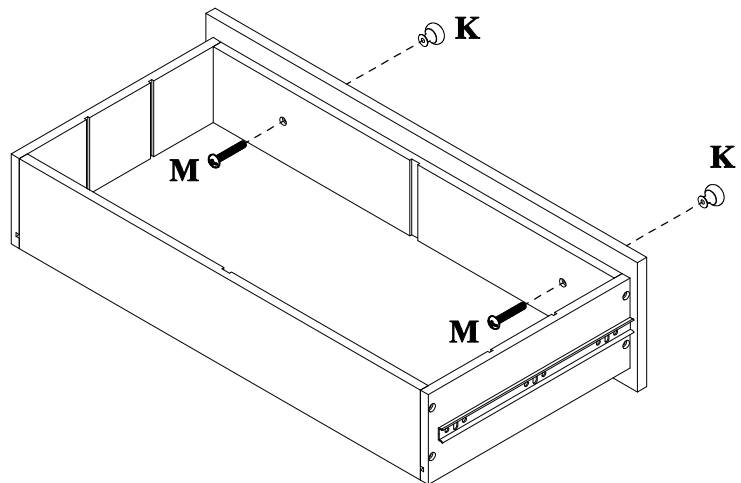
# STEP: 14

<b>O</b>	
	<b>8PCS</b>

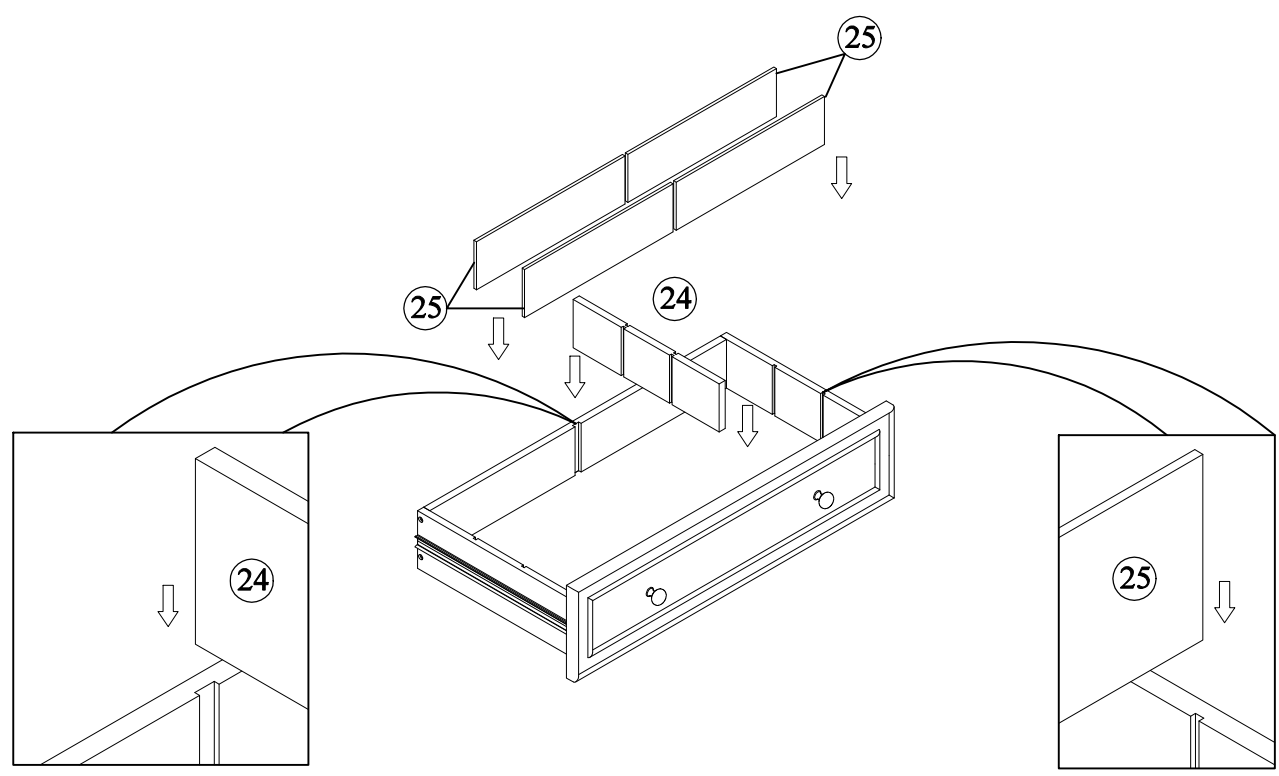


# STEP: 15

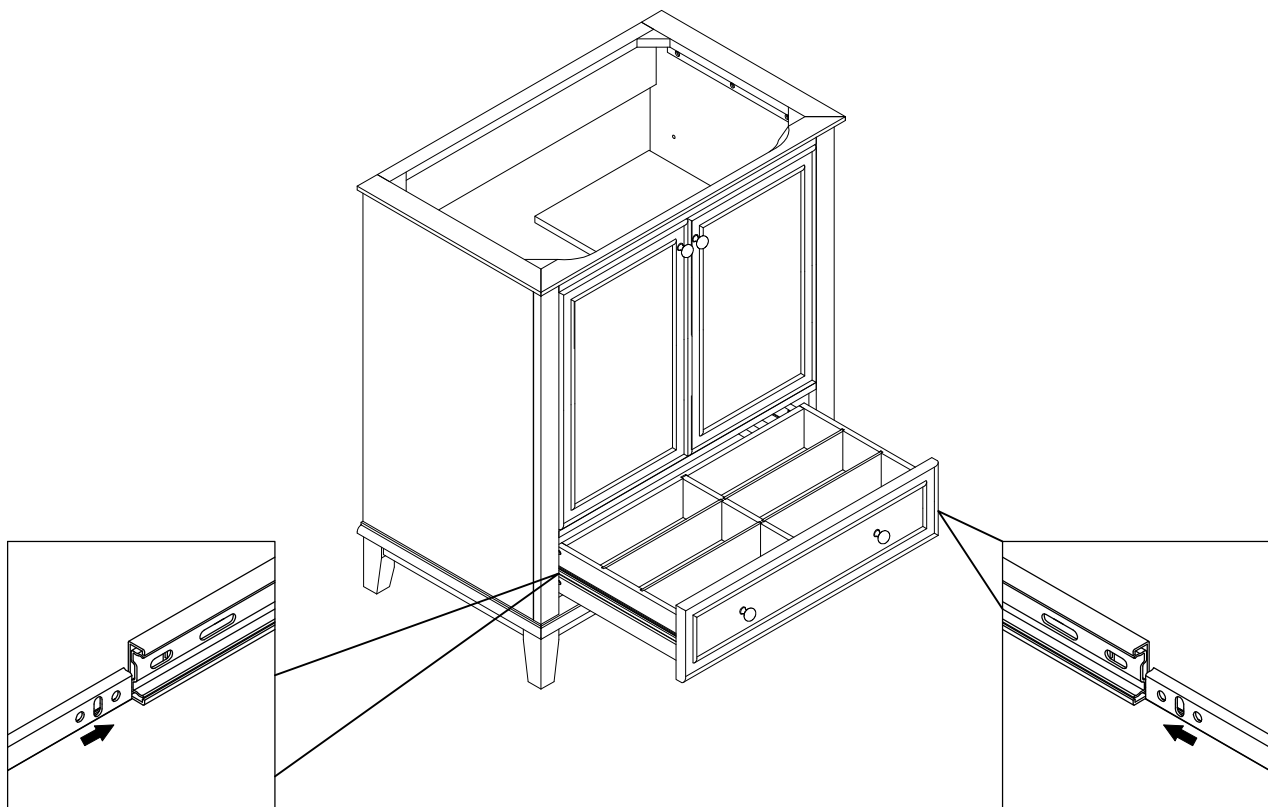
<b>K</b> 	<b>M</b> 
<b>2PCS</b>	<b>2PCS</b>



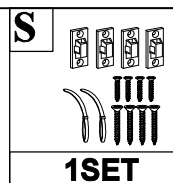
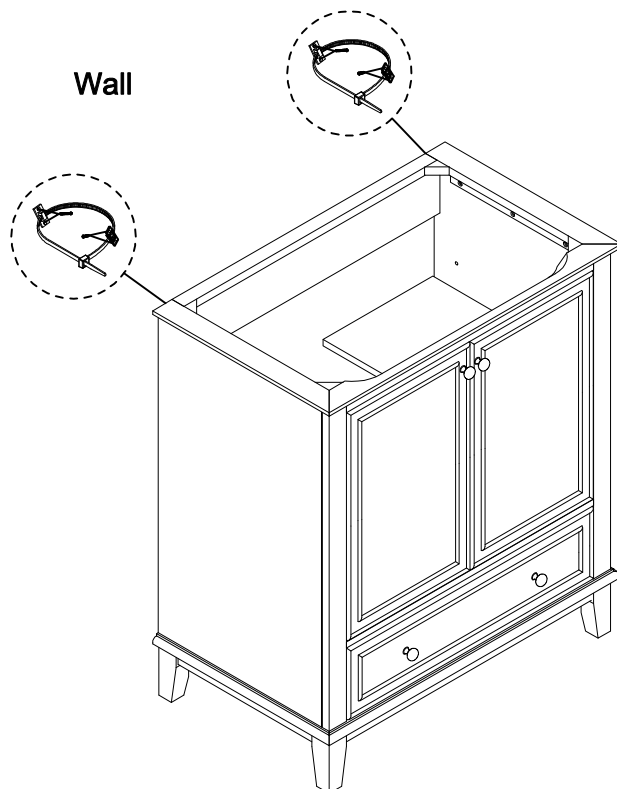
# STEP: 16



**STEP: 17**

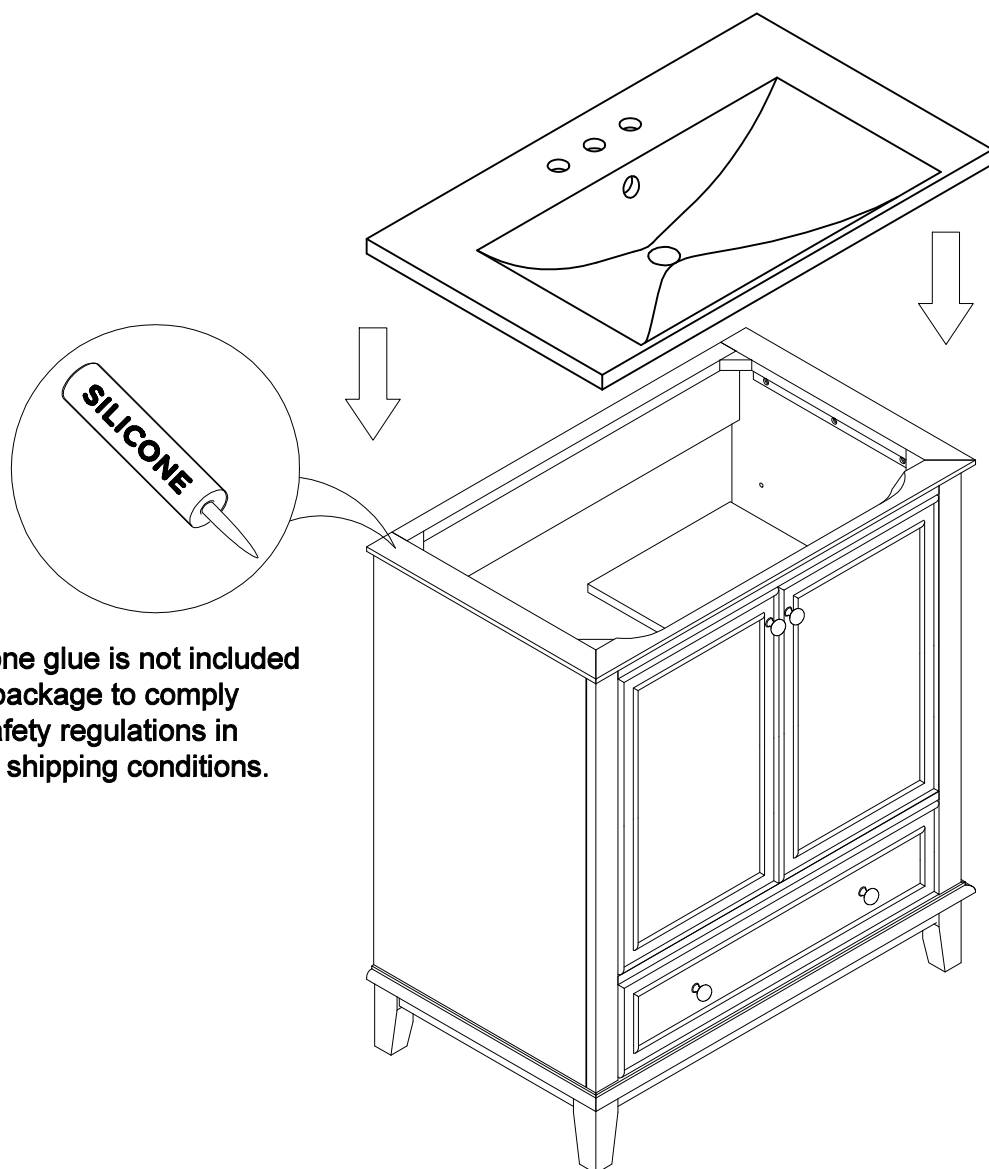


**STEP: 18**



## **STEP: 19**

**Install the sink on the cabinet with glue.  
Let stand for 24 hours**



**\*Silicone glue is not included  
in the package to comply  
with safety regulations in  
certain shipping conditions.**



**STEP: 20**

