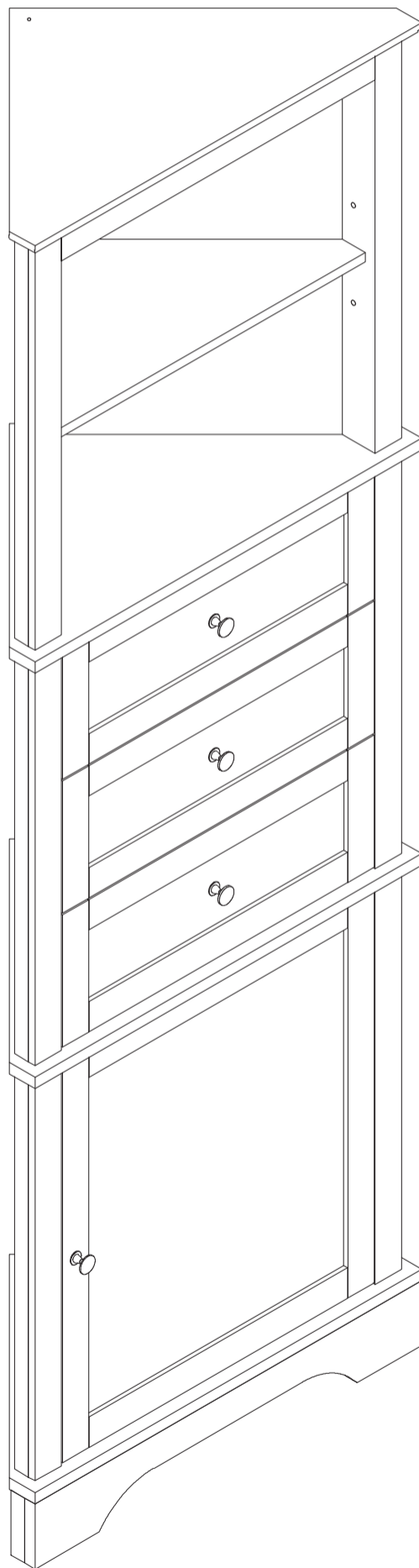
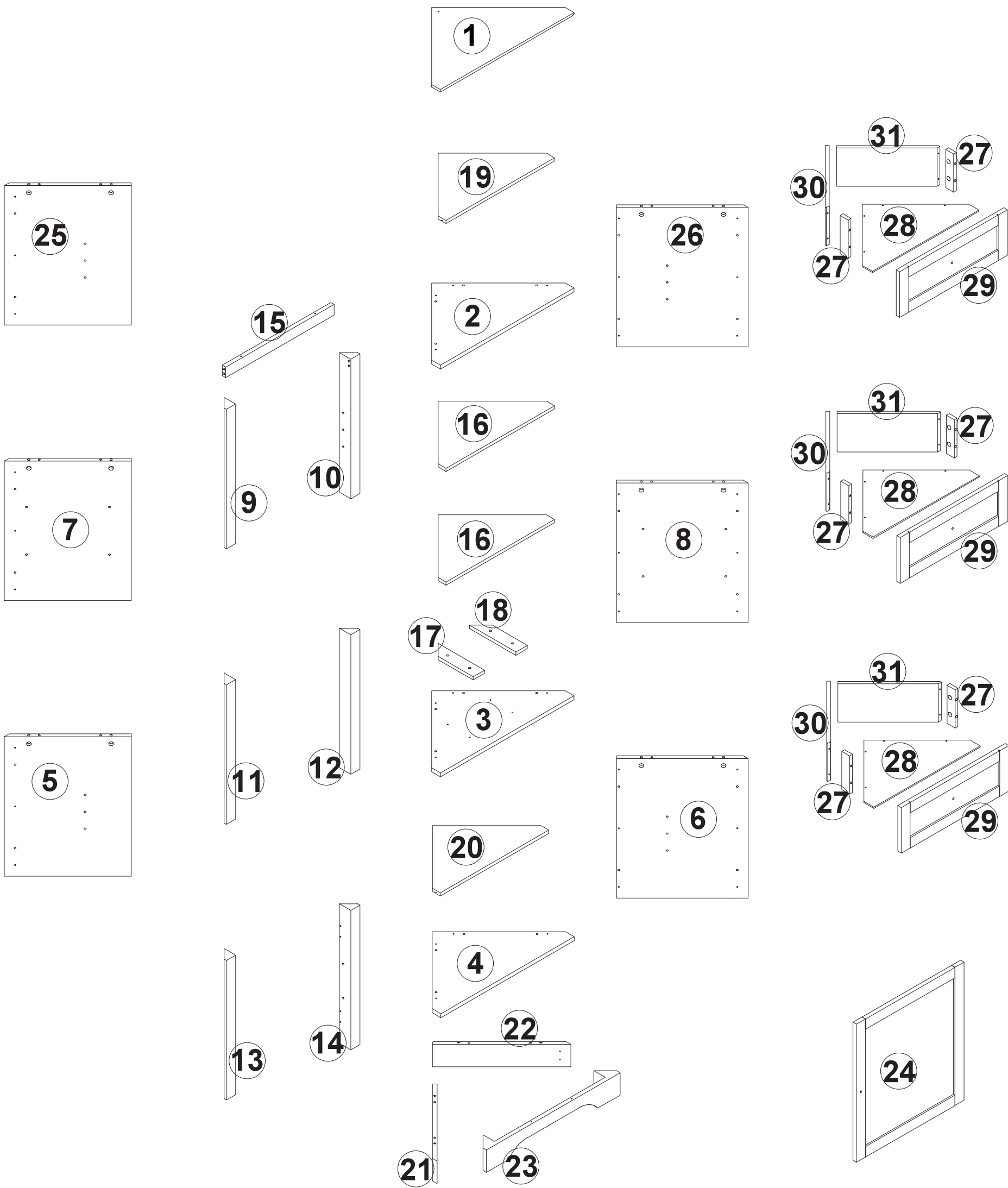
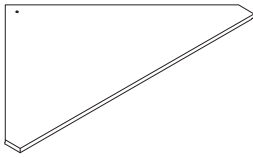
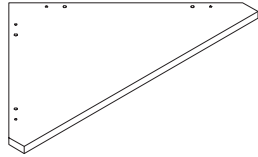
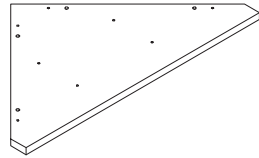
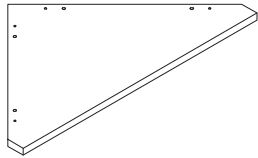
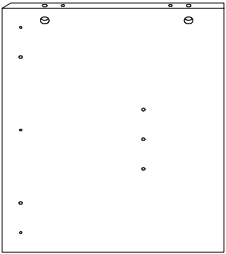
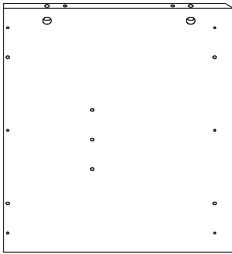
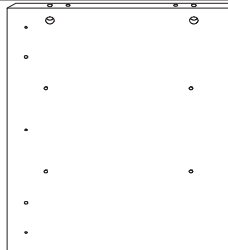
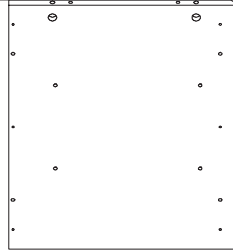



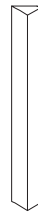


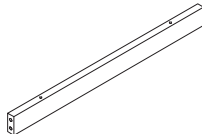
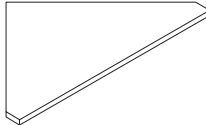
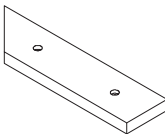
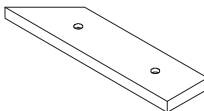
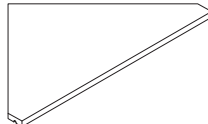
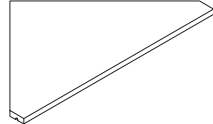


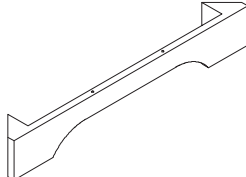
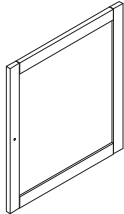
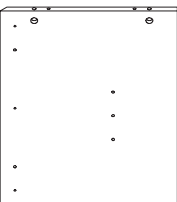
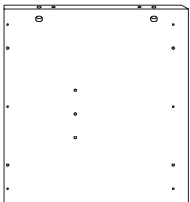

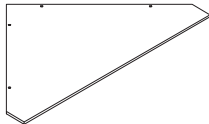
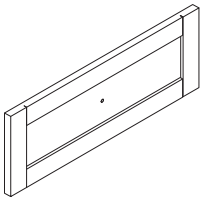




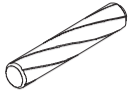
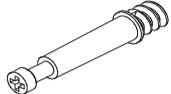

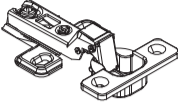
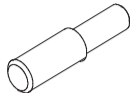
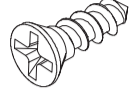


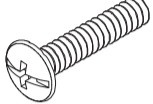


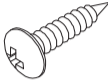
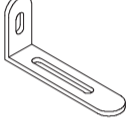
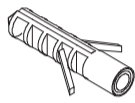
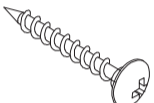

ASSEMBLY INSRTRUCTION

WF306469

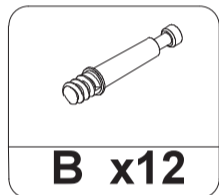
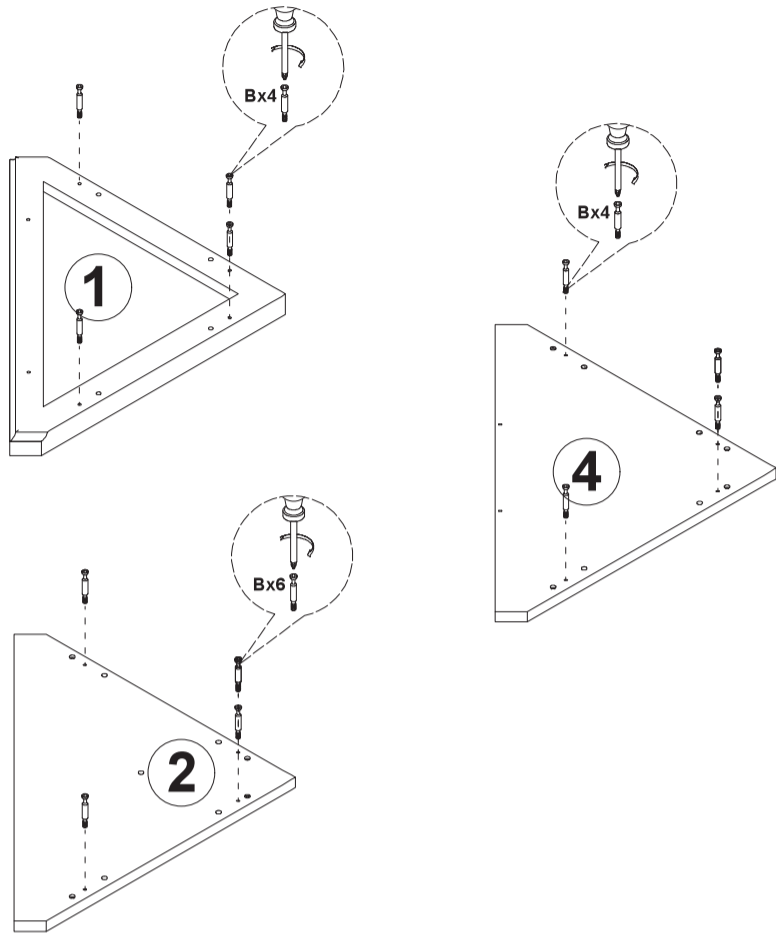




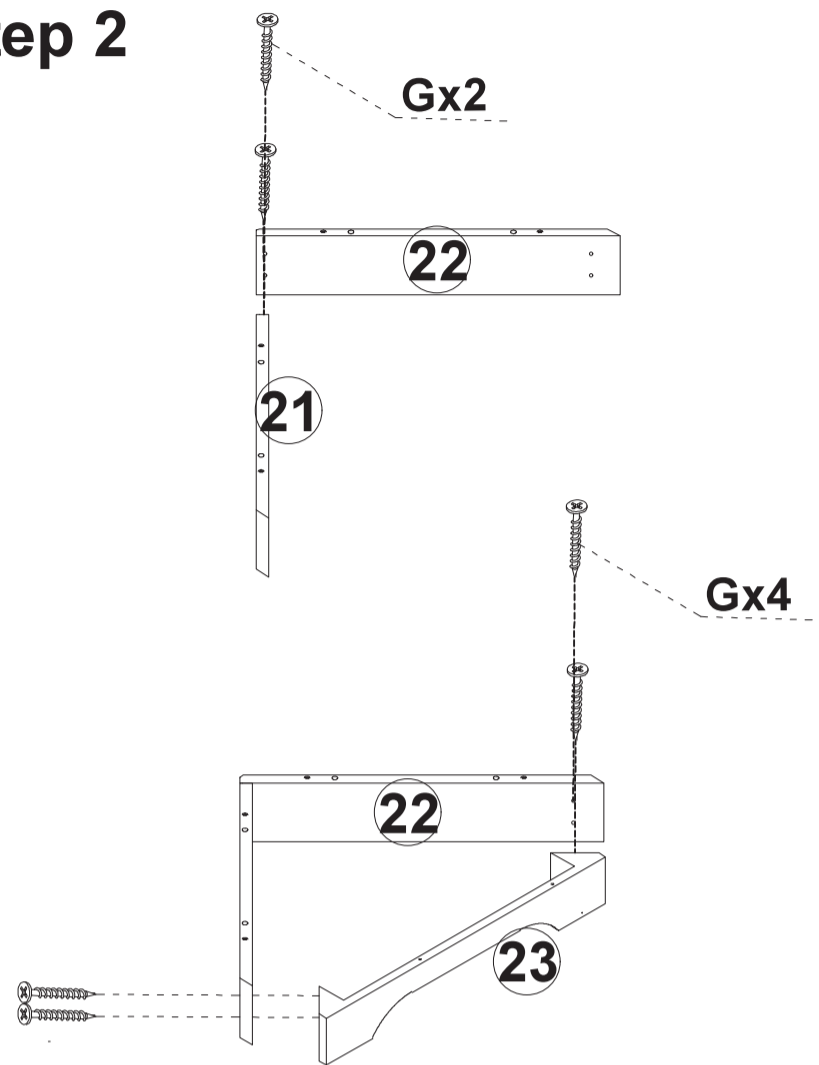
			
① x 1	② x 1	③ x 1	④ x 1
			
⑤ x 1	⑥ x 1	⑦ x 1	⑧ x 1
			
⑨ x 1	⑩ x 1	⑪ x 1	⑫ x 1
			
⑬ x 1	⑭ x 1	⑮ x 1	⑯ x 2
			
⑰ x 1	⑱ x 1	⑲ x 1	⑳ x 1
			
㉑ x 1	㉒ x 1	㉓ x 1	㉔ x 1
			
㉕ x 1	㉖ x 1	㉗ x 6	㉘ x 3
			
㉙ x 3	㉚ x 3	㉛ x 3	

					
Φ6x30mm A x 60+3	B x 28+2	C x 28+2	D x2	E x8+1	Φ4x14mm F x8+1
					
Φ4x35mm G x64+3	Hx3	Φ4x16mm I x4	J x4	Φ4x25mm K x16+1	Φ4x12mm L x1
					
M x1	N x1	Φ4x45mm O x4	P x6		

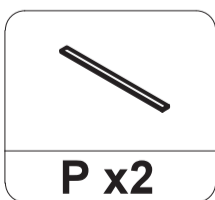
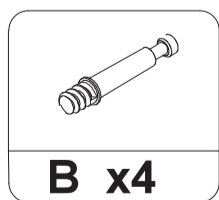
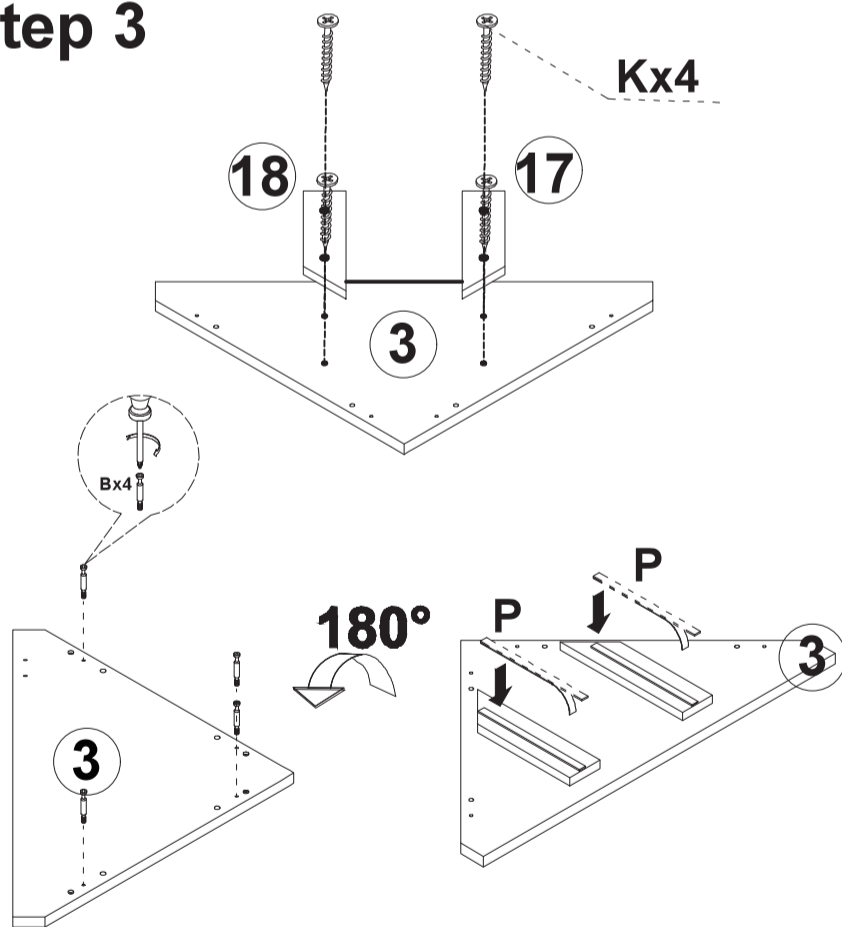
step 1



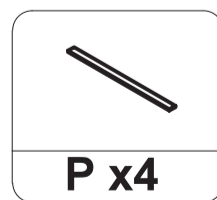
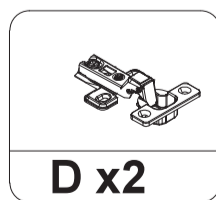
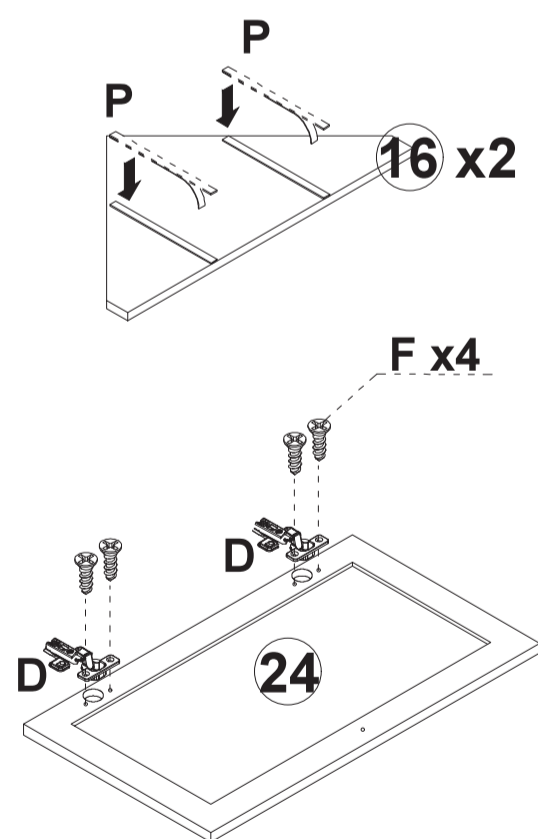
step 2



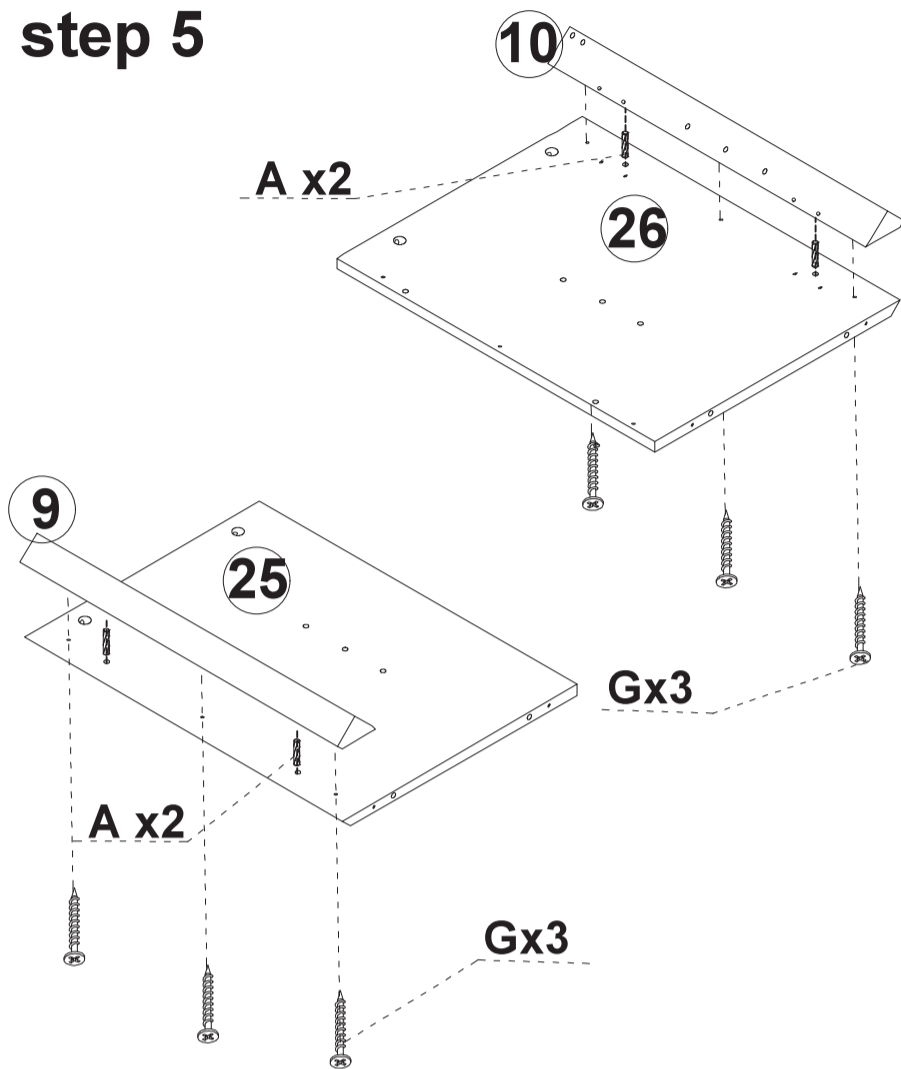
step 3



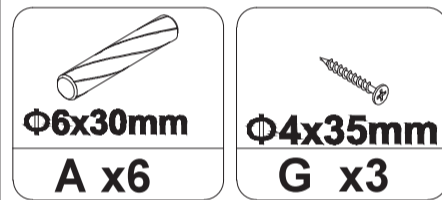
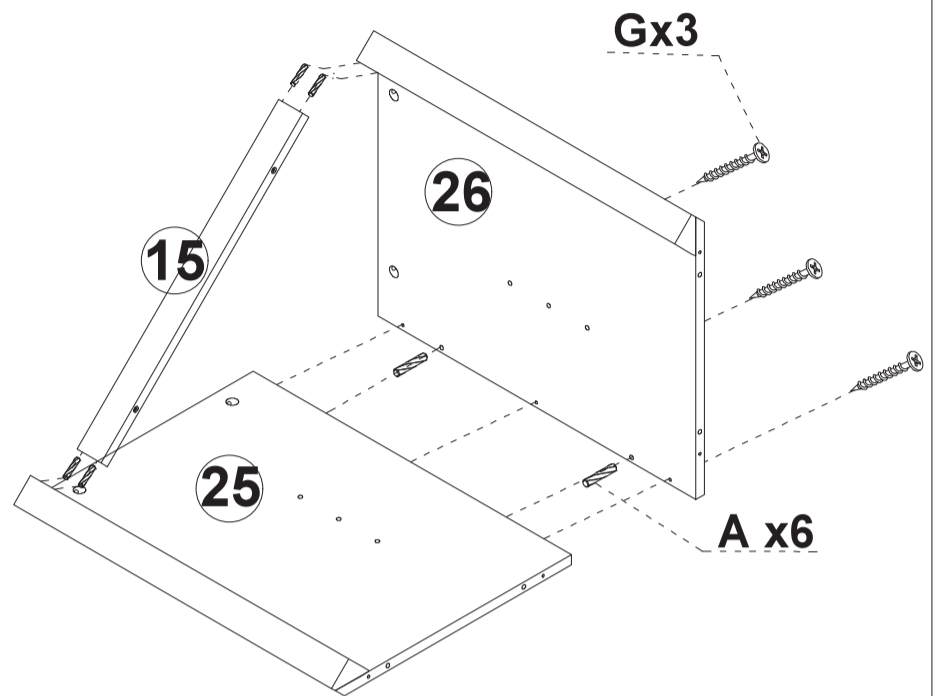
step 4



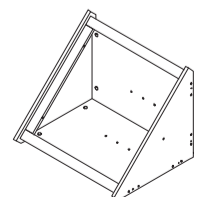
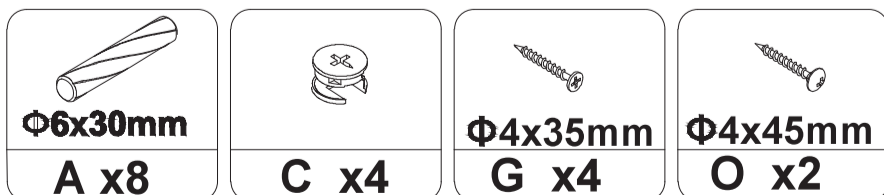
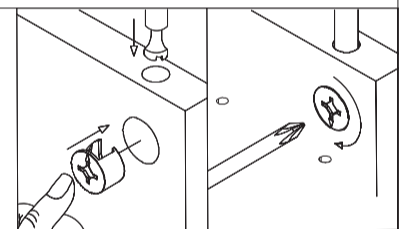
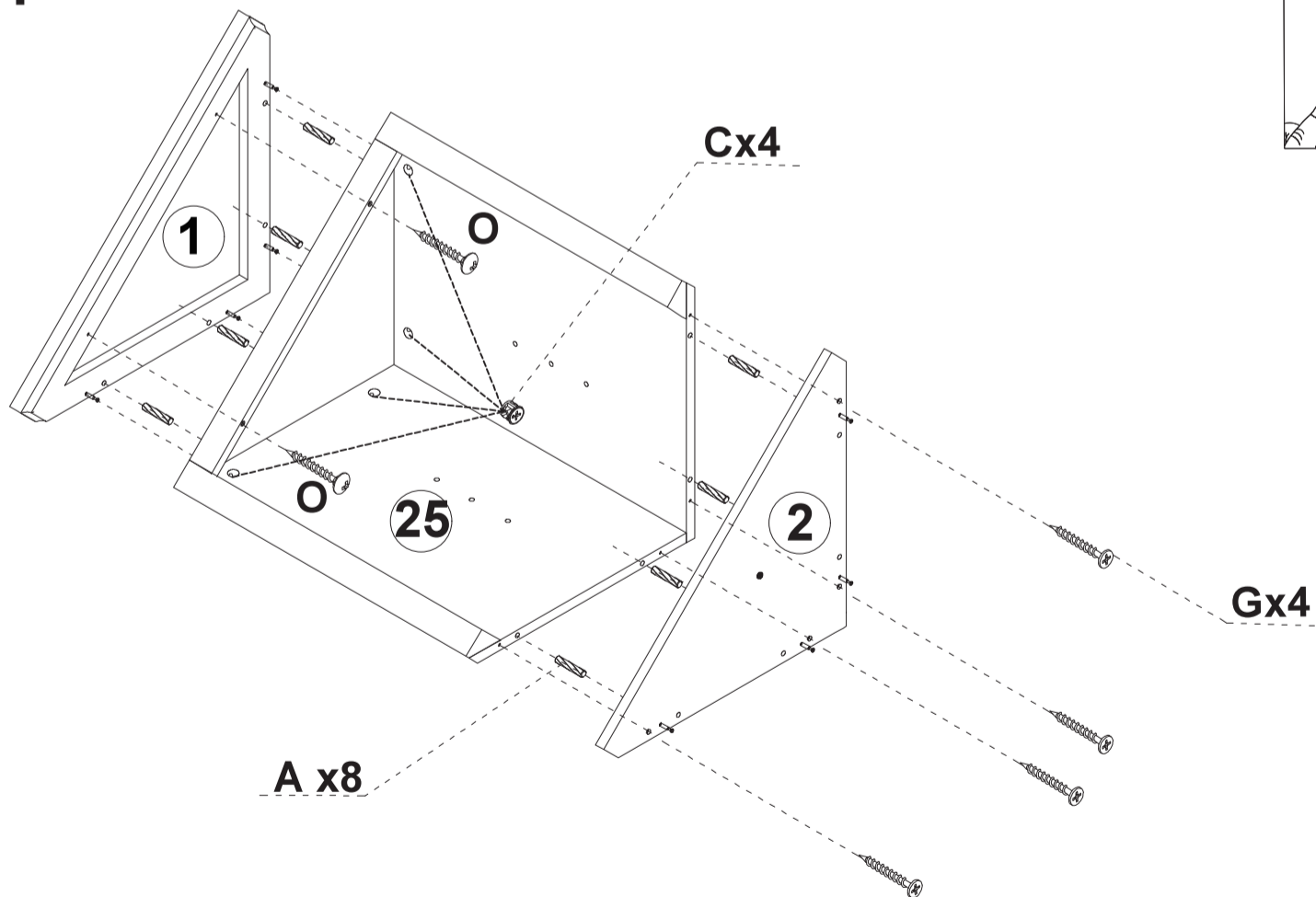
step 5



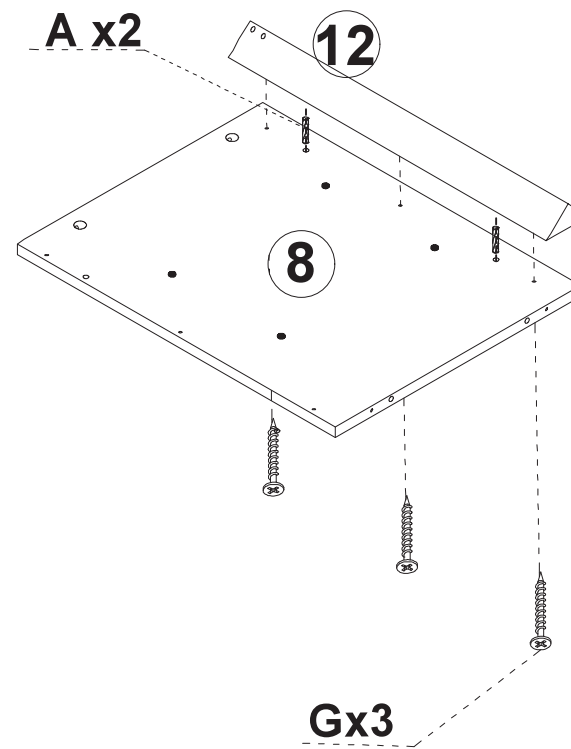
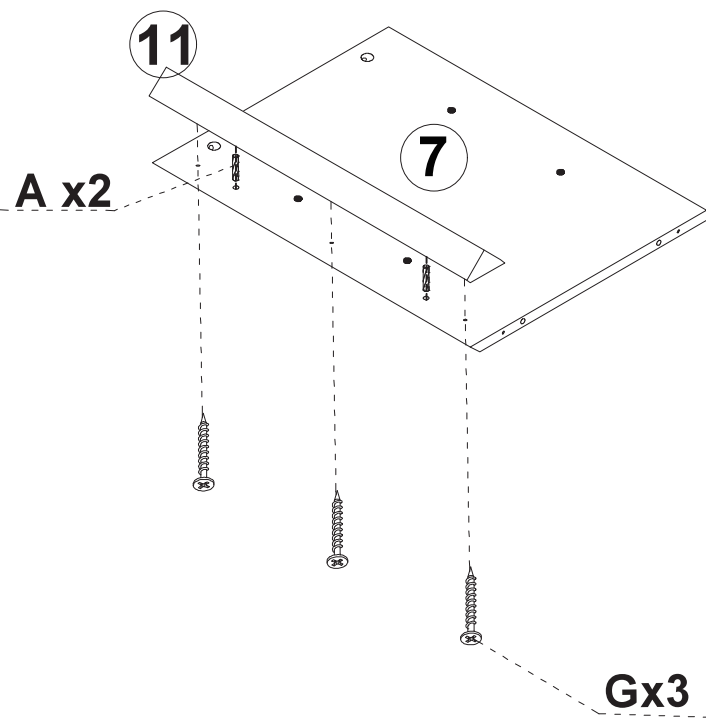
step 6



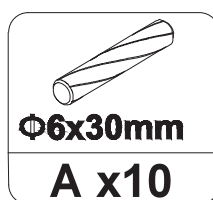
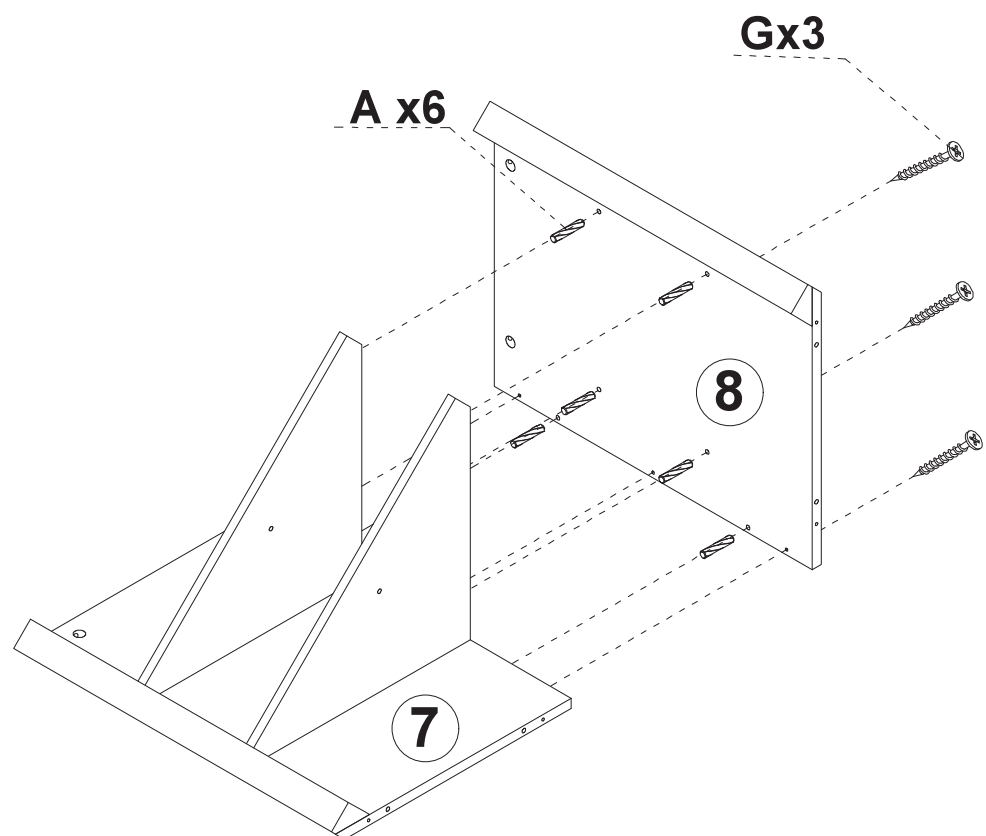
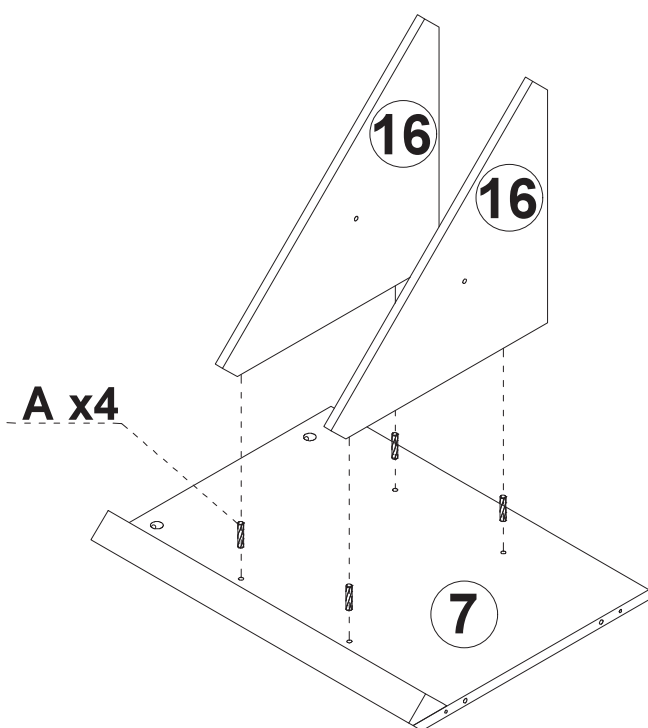
step 7



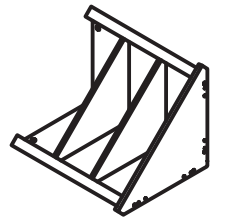
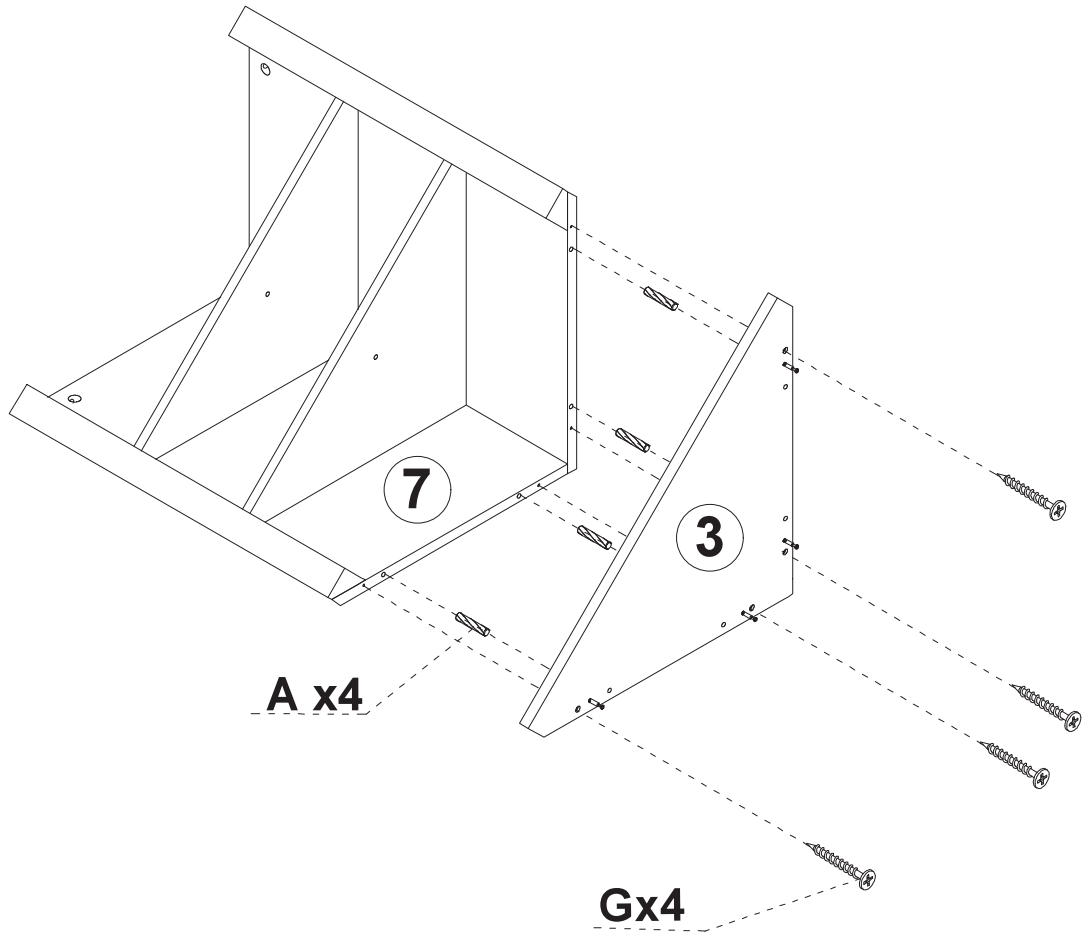
step 8



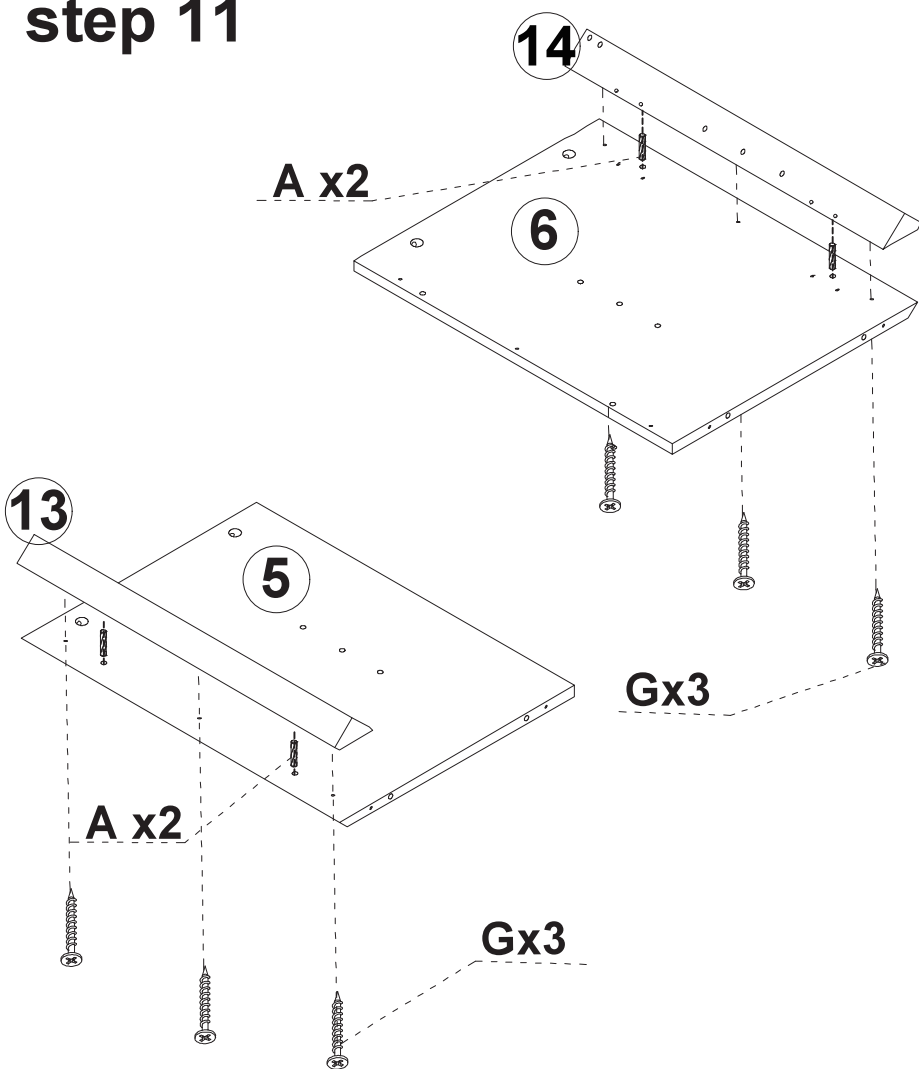
step 9



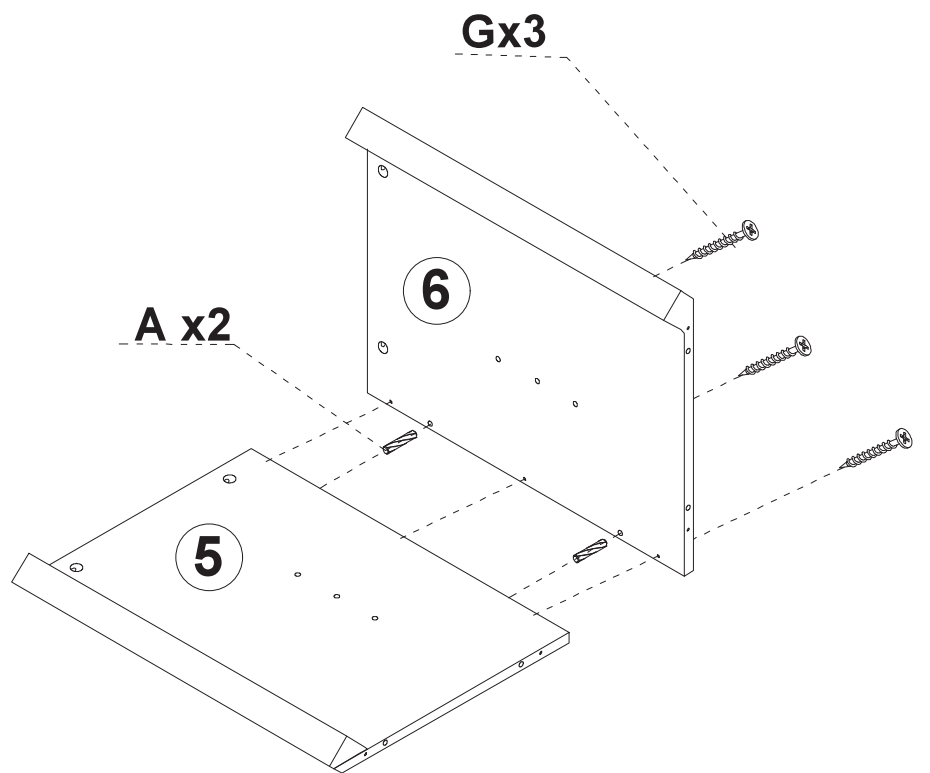
step 10



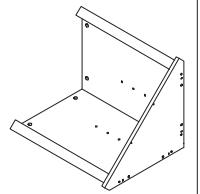
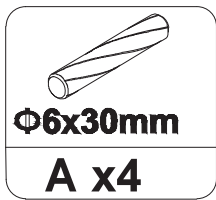
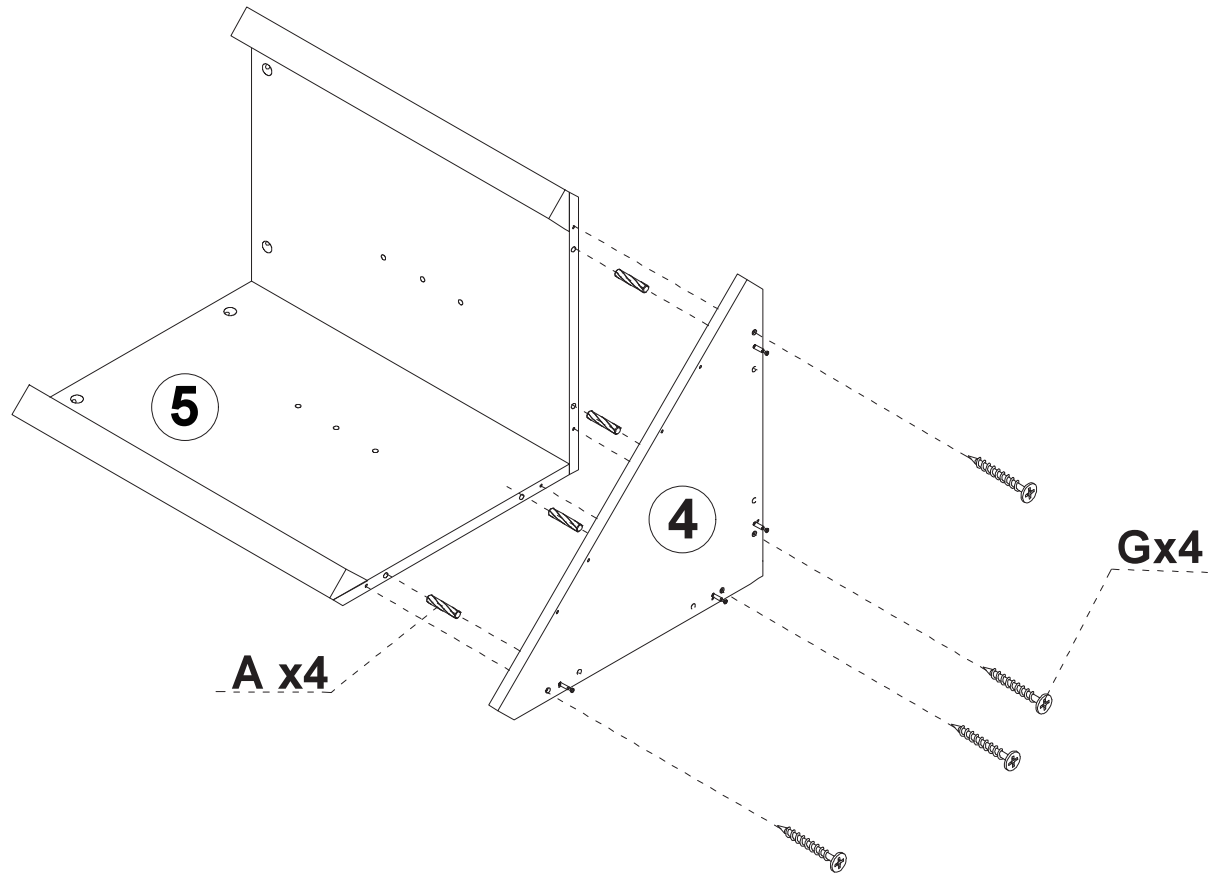
step 11



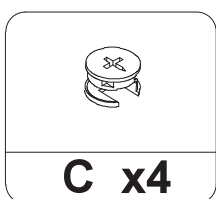
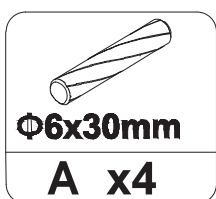
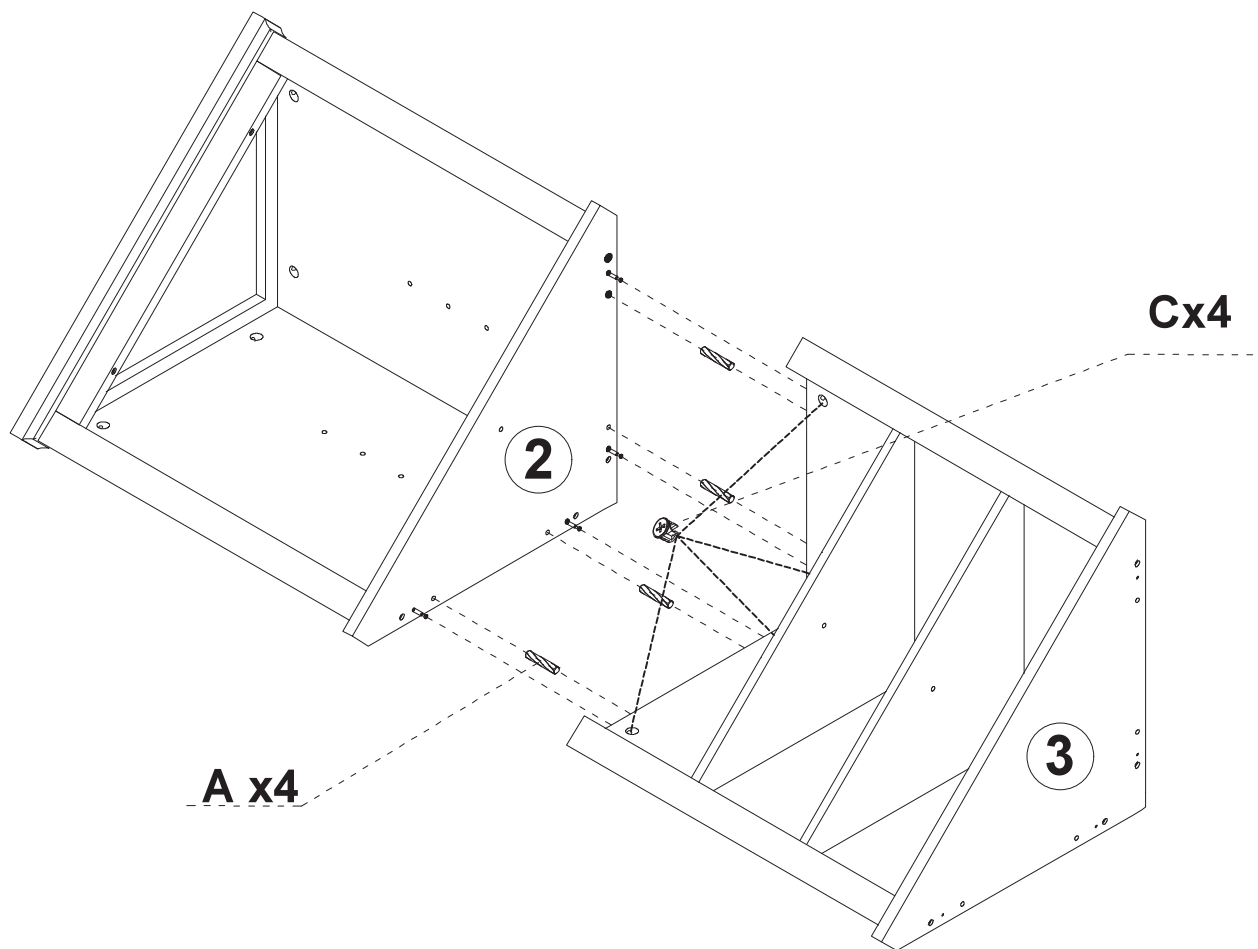
step 12



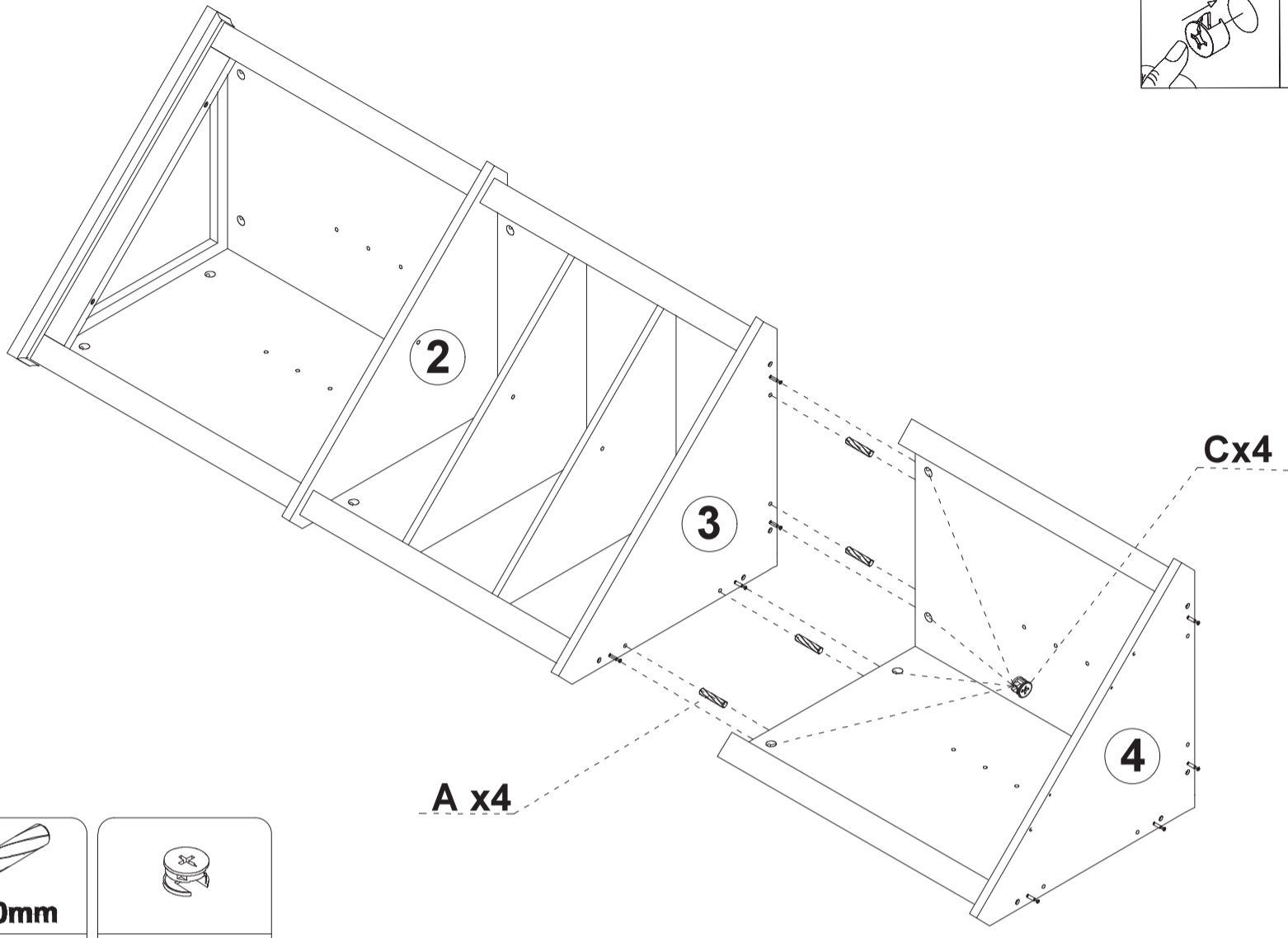
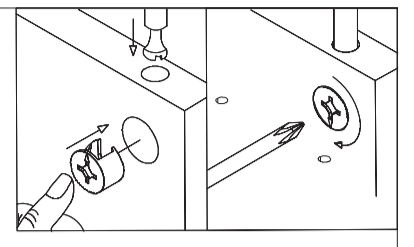
step 13





step 14



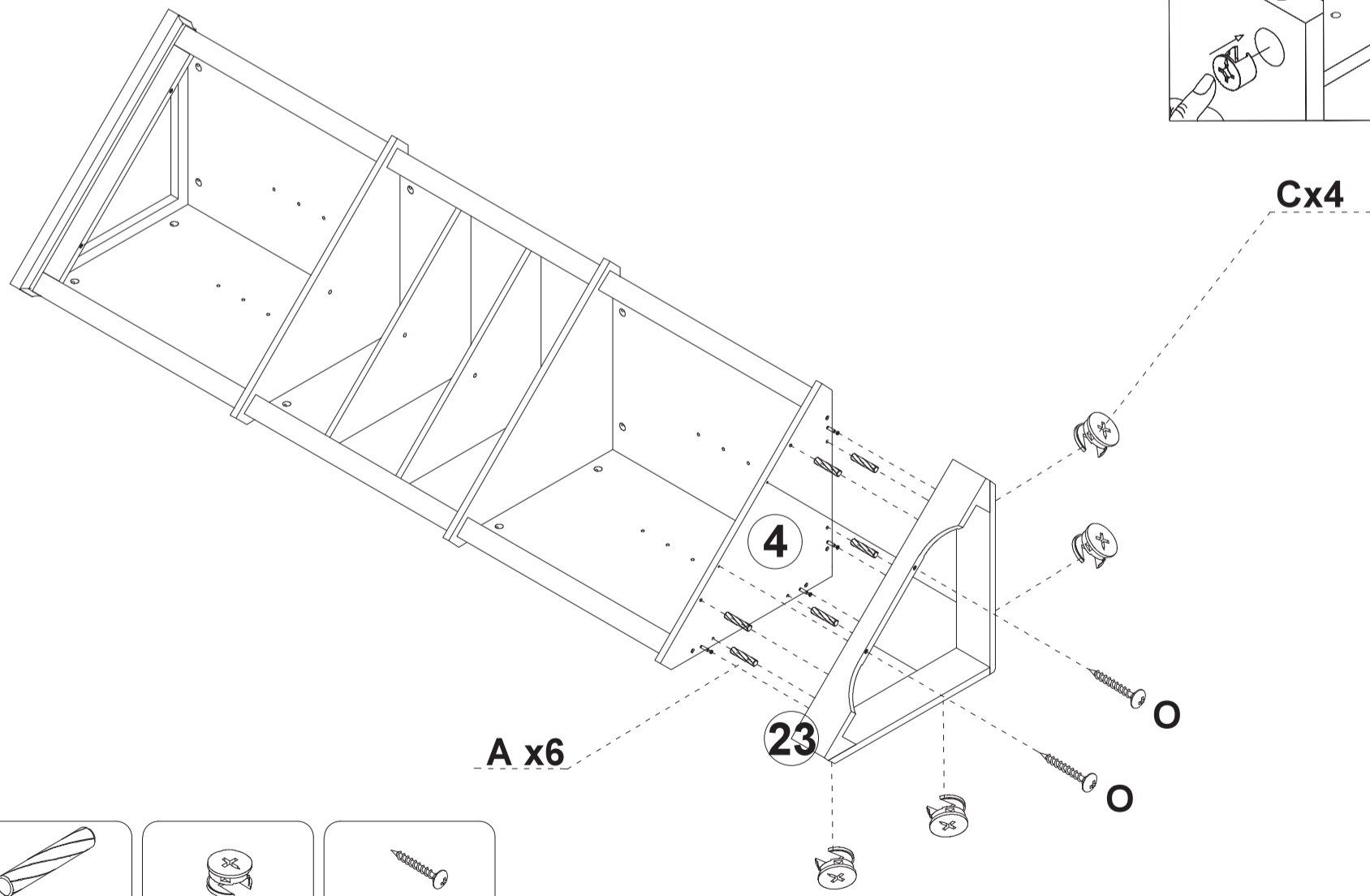
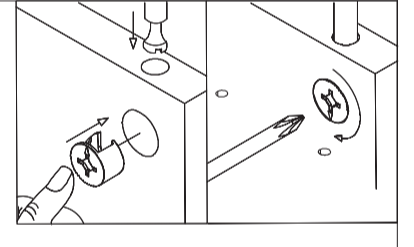
step 15






Φ6x30mm
A x4


C x4

step 16

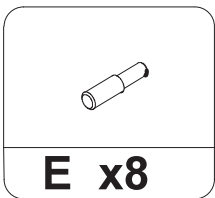
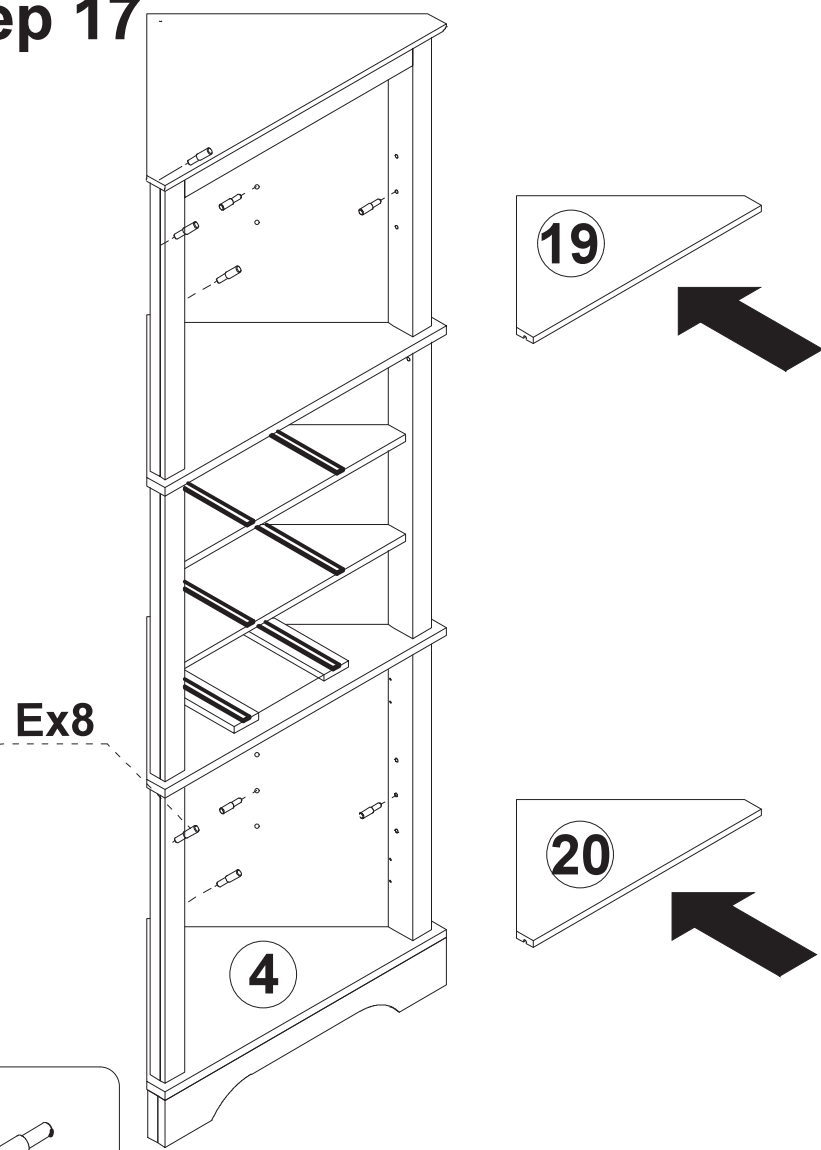



Φ6x30mm
A x6

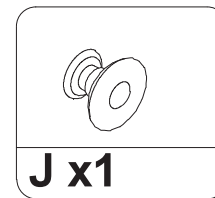
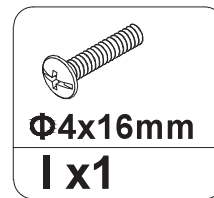
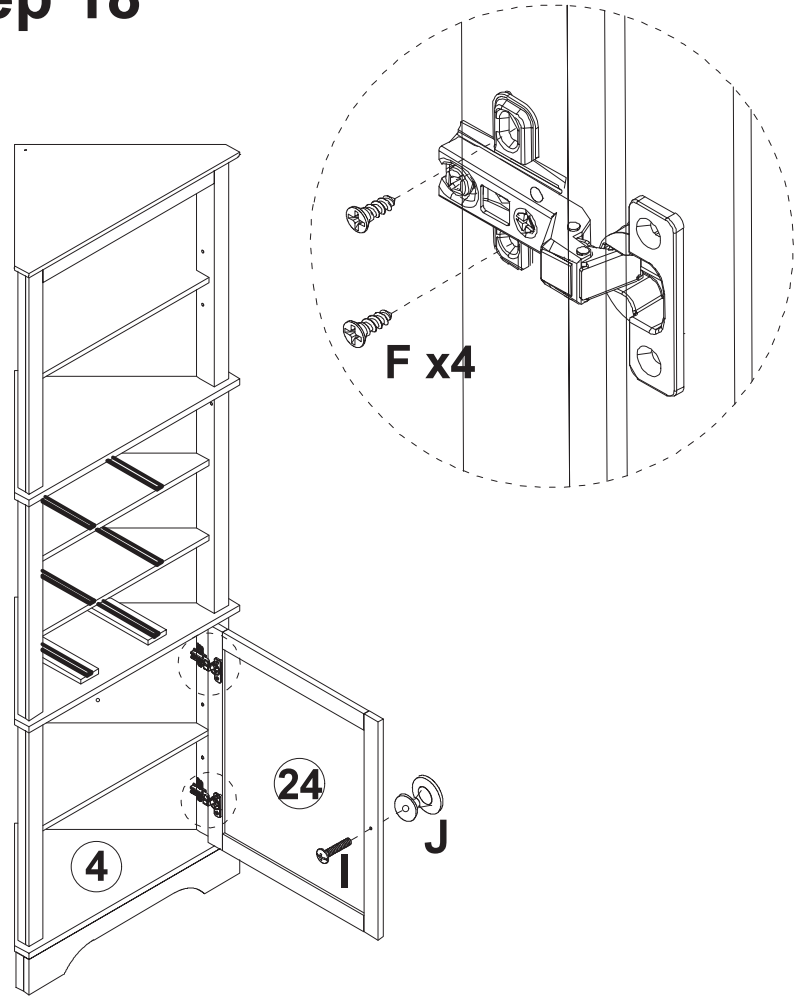

C x4


Φ4x45mm
O x2

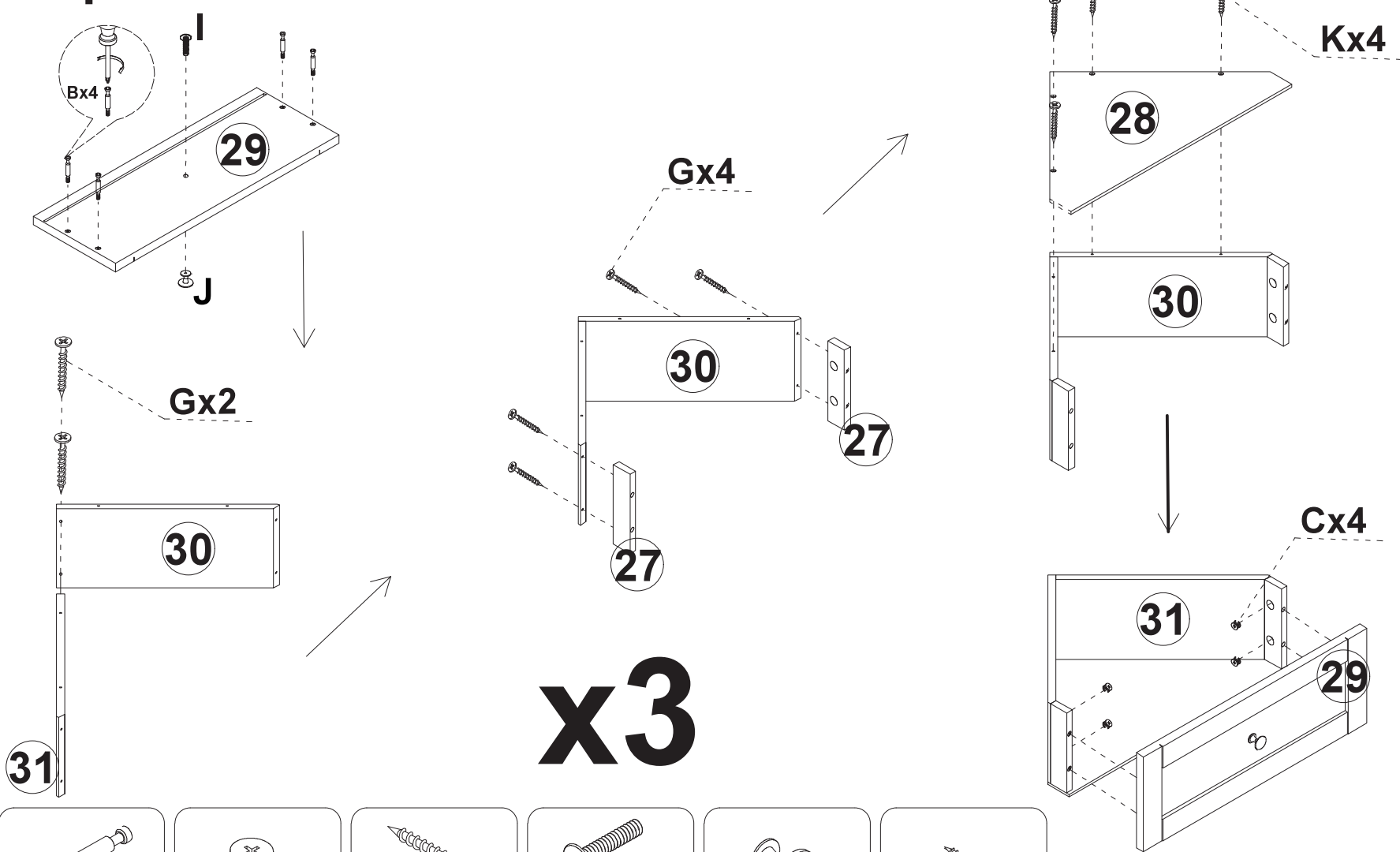
step 17



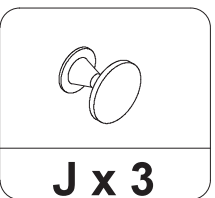
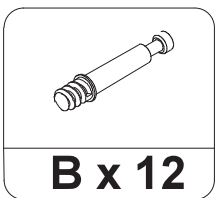
step 18



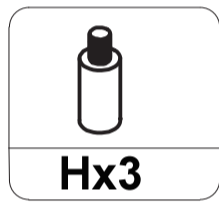
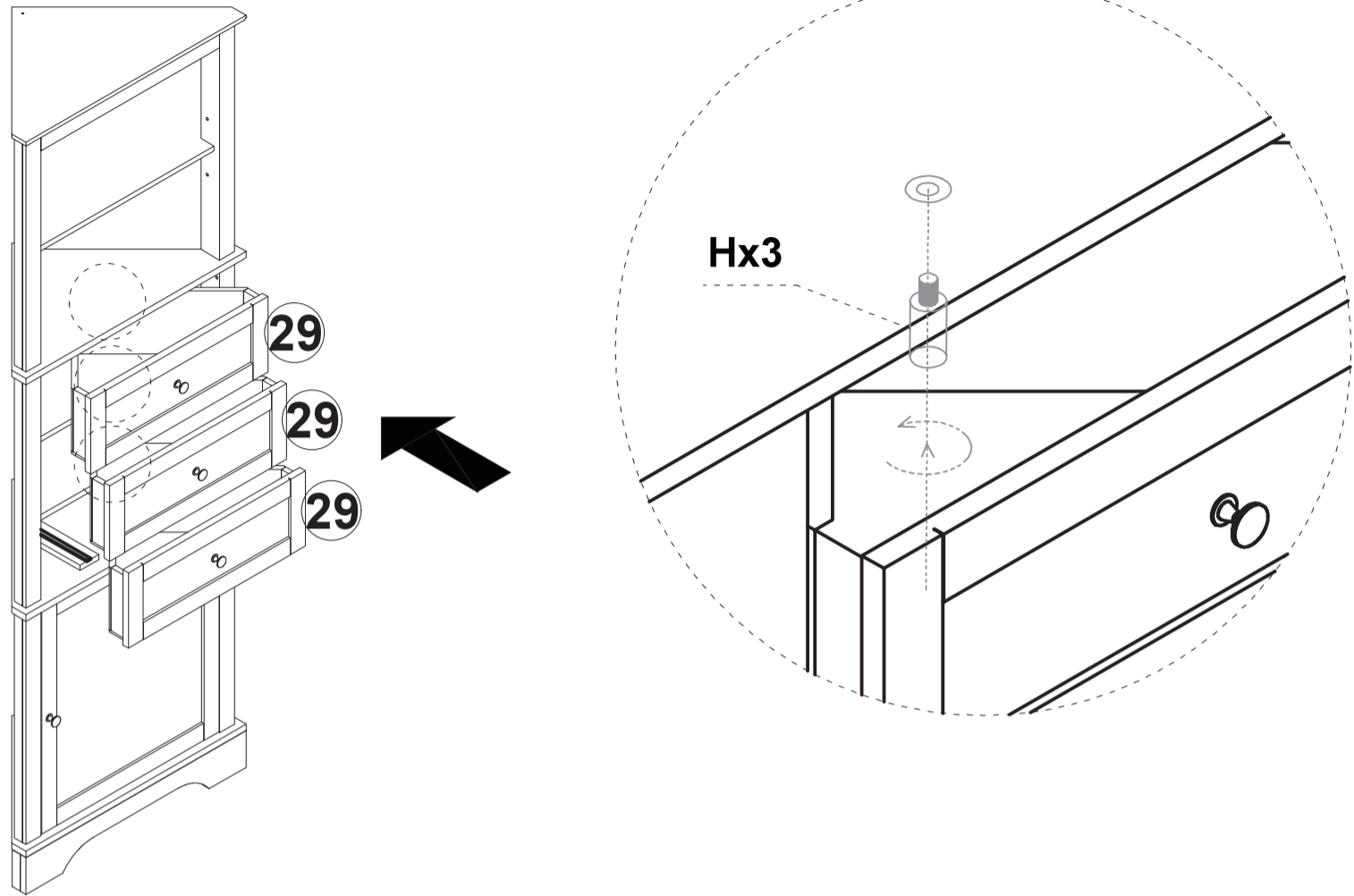
step 19



x3



step 20



step 21

