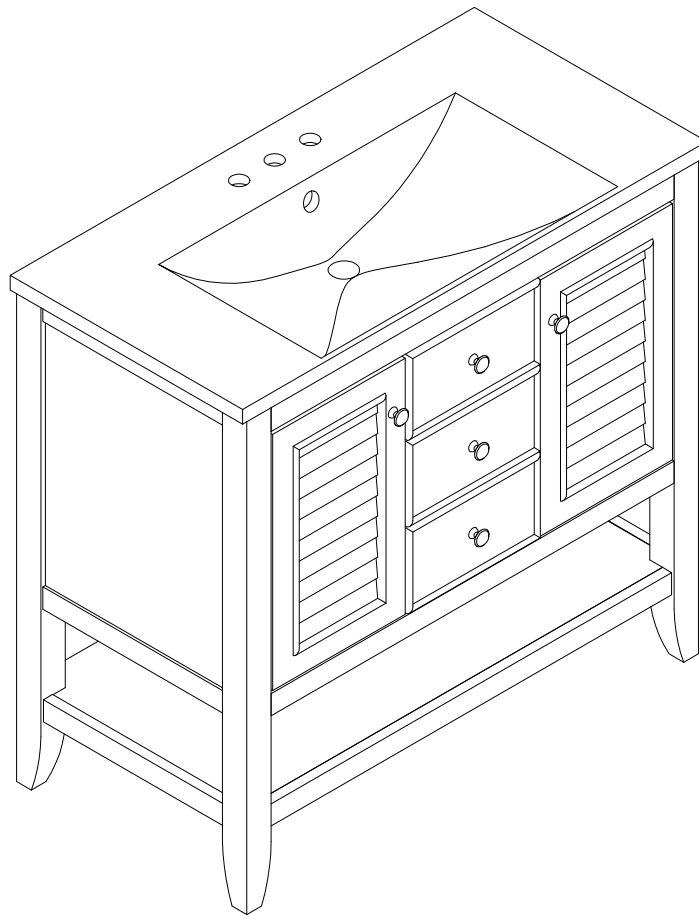


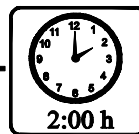
# ASSEMBLY INSTRUCTIONS

## 36 INCH BATH VANITY-CABINET

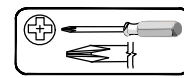


Thank you for purchasing this quality product. Be sure to check all packing material carefully for small parts which may have come loose inside the carton during shipment. Separate, identify and count all parts and hardware. Compare with the parts list to be sure all parts are present.  
**"DO NOT TIGHTEN SCREWS UNTIL COMPLETELY ASSEMBLED"**

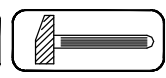
**\* Use of power tool to assemble this product will invalidate any claim and damage this product making unsafe !!!**  
**\* Please assemble on a clean soft surface to avoid damage.**



### Tools Required



(Not included)



(Not included)

**IMPORTANT:**

**PLEASE READ INSTRUCTION BEFORE STARTING THE ASSEMBLY**

**Thank you for buying our products.**

**Please read the installation manual carefully before installation,**

**we need you to follow the instructions on the accessories and hardware**

**step by step assembly complete, our instructions are very detailed.**

**Products are environmentally friendly products,**

**Please rest assured that you do not soak in water, do not place very heavy items,**

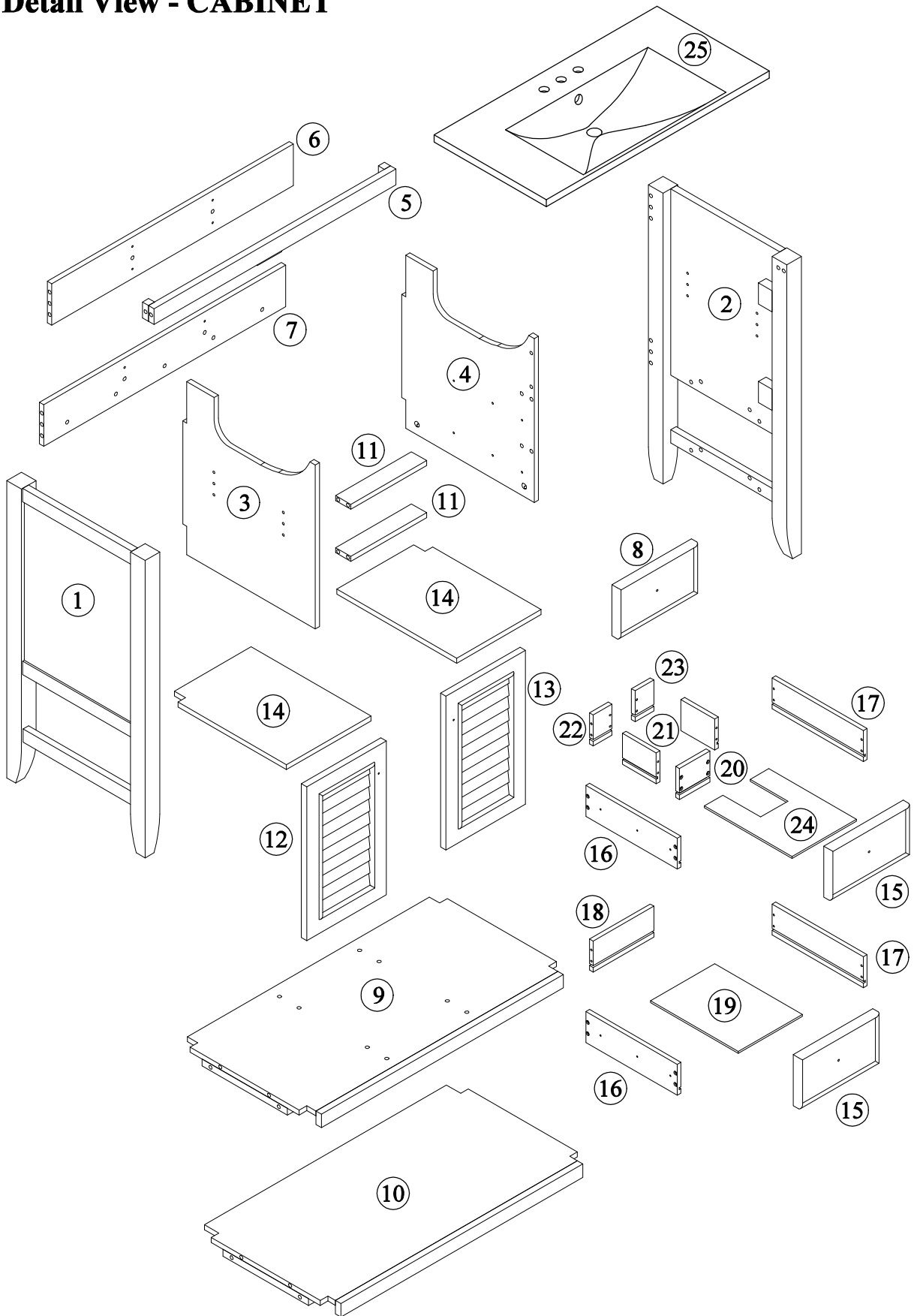
**do not malicious push and pull,**

**if you have any problems in the process of assembly and use, please contact us.**

**Thank you again for your purchase of our products,**

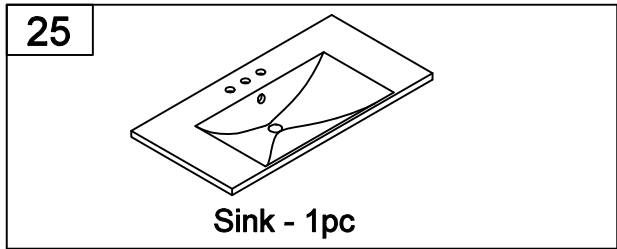
**I wish you a happy life.**

# Detail View - CABINET

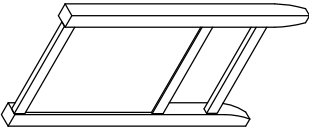
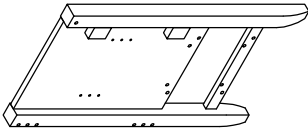
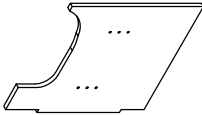
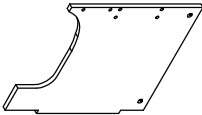
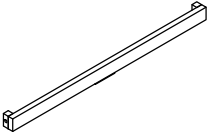
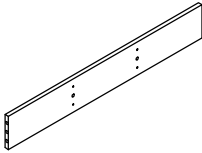
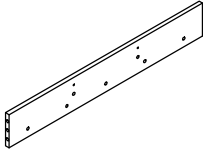
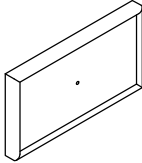
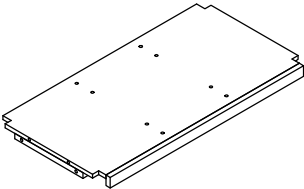
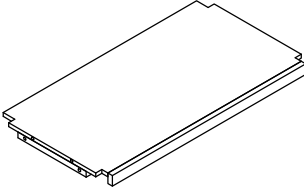


**Identifying the Hardware**-Identify the hardware using the illustrations below.

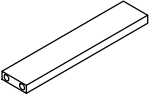
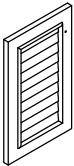
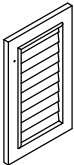
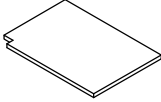
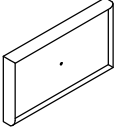
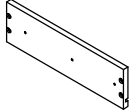
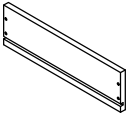
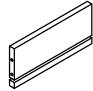
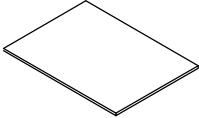
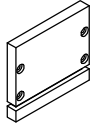
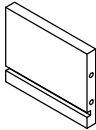
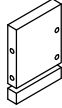
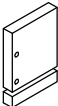
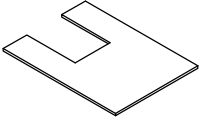
## Part List - WF299656





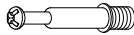




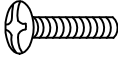
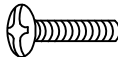
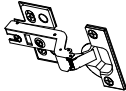
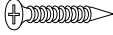
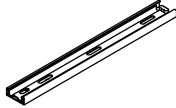
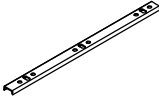
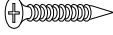

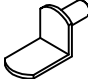

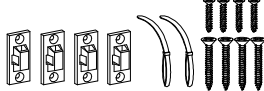
## Part List - WF299657

<b>1</b>		<b>2</b>	
<b>Side Panel (L) - 1pc</b>		<b>Side Panel (R) - 1pc</b>	
<b>3</b>		<b>4</b>	
<b>Mid Fixed Panel (L) - 1pc</b>		<b>Mid Fixed Panel (R) - 1pc</b>	
<b>5</b>		<b>6</b>	
<b>Top Crossbar - 1pc</b>		<b>Back Panel Top - 1pc</b>	
<b>7</b>		<b>8</b>	
<b>Back Panel Bottom - 1pc</b>		<b>Fake drawer - 1pc</b>	
<b>9</b>		<b>10</b>	
<b>Mid Fixed Panel - 1pc</b>		<b>Bottom Fixed Panel - 1pc</b>	

# Part List - WF299657

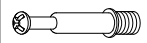
<p><b>11</b></p>  <p>Center Fixed Bar - 2pcs</p>	<p><b>12</b></p>  <p>Door (L) - 1pc</p>
<p><b>13</b></p>  <p>Door (R) - 1pc</p>	<p><b>14</b></p>  <p>Adjustable Shelf - 2pcs</p>
<p><b>15</b></p>  <p>Drawer Front - 2pcs</p>	<p><b>16</b></p>  <p>Drawer Side (L) - 2pcs</p>
<p><b>17</b></p>  <p>Drawer Side (R) - 2pcs</p>	<p><b>18</b></p>  <p>Drawer Back - 1pc</p>
<p><b>19</b></p>  <p>Drawer Bottom (1) - 1pc</p>	<p><b>20</b></p>  <p>Drawer Side Front - 1pc</p>
<p><b>21</b></p>  <p>Drawer Side Mid - 2pcs</p>	<p><b>22</b></p>  <p>Drawer Rear (L) - 1pc</p>
<p><b>23</b></p>  <p>Drawer Rear (R) - 1pc</p>	<p><b>24</b></p>  <p>Drawer Bottom (2) - 1pc</p>

# Hardware List - WF299657

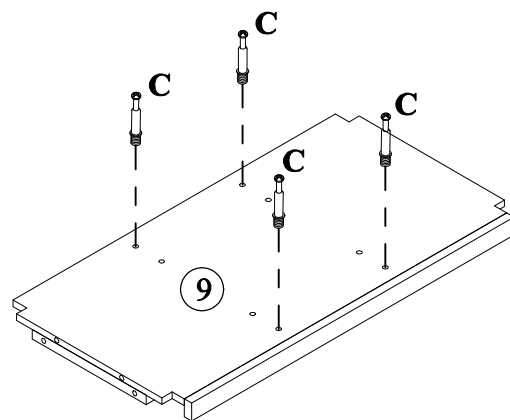
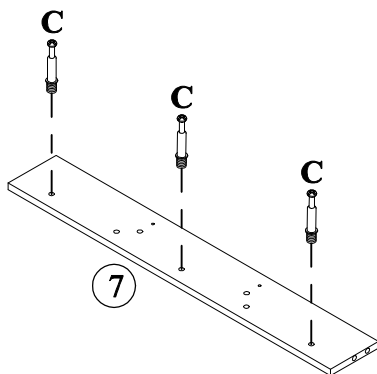
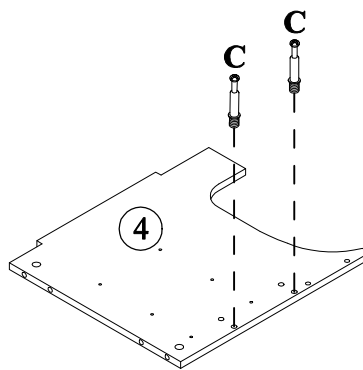
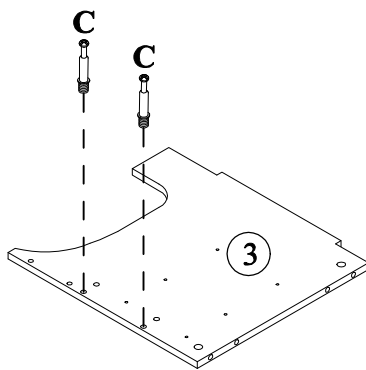
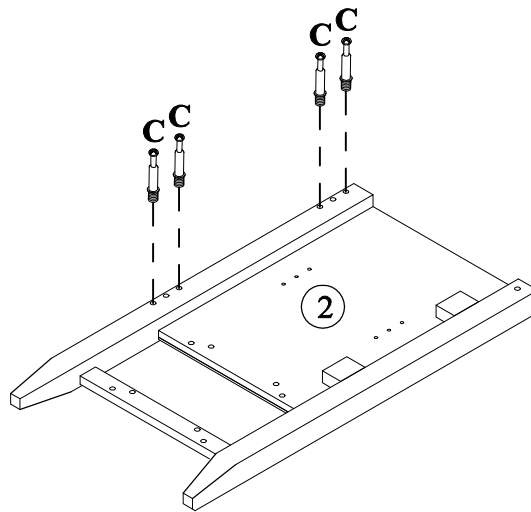
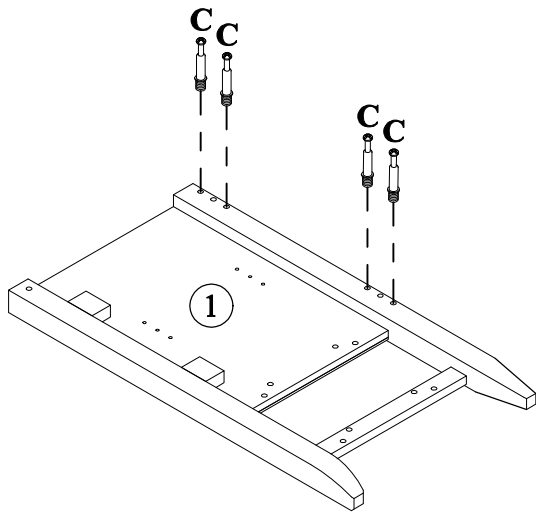
<p><b>A</b></p>  <p>ø13x1/4"x30mm</p>	<p><b>B</b></p>  <p>ø1/4"x16x1mm</p>	<p><b>C</b></p>  <p>ø6x35mm</p>
<p>Hex-Head bolts - 14pcs      Washer - 14pcs      Three in one bolts - 19pcs</p>		
<p><b>D</b></p>  <p>ø14.5x12mm</p>	<p><b>E</b></p>  <p>ø8xø4x25mm</p>	<p><b>F</b></p>  <p>ø8xø4x32mm</p>
<p>Three in one lock - 19pcs      Round head screw - 6pcs      Round head screw - 24pcs</p>		
<p><b>G</b></p> 	<p><b>H</b></p>  <p>ø5/32"x20mm</p>	<p><b>J</b></p>  <p>ø5/32"x32mm</p>
<p>Handle - 5pcs      Handle screw - 3pcs      Handle screw - 2pcs</p>		
<p><b>K</b></p> 	<p><b>L</b></p>  <p>ø7xø3.5x15mm</p>	<p><b>M</b></p>  <p>ø300x35mm</p>
<p>Damping hinge - 4pcs      Flat head screw - 24pcs      Slide rails - 4pcs</p>		
<p><b>N</b></p>  <p>ø298x18mm</p>	<p><b>O</b></p>  <p>ø6xø3x12mm</p>	<p><b>P</b></p>  <p>ø8x30mm</p>
<p>Slide rails - 4pcs      Flat head screw(24pcs)      Wood dowel - 30pcs</p>		
<p><b>Q</b></p> 	<p><b>R</b></p>  <p>4mm</p>	<p><b>S</b></p> 
<p>Laminate pad - 8pcs      Allen key - 1pc      Anti fall hardware - 1set</p>		

**STEP: 1**


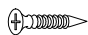
**C**

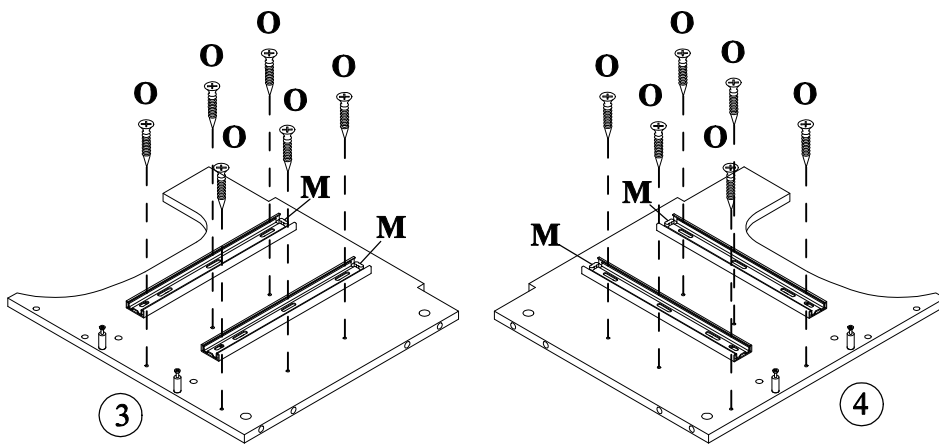


**19PCS**







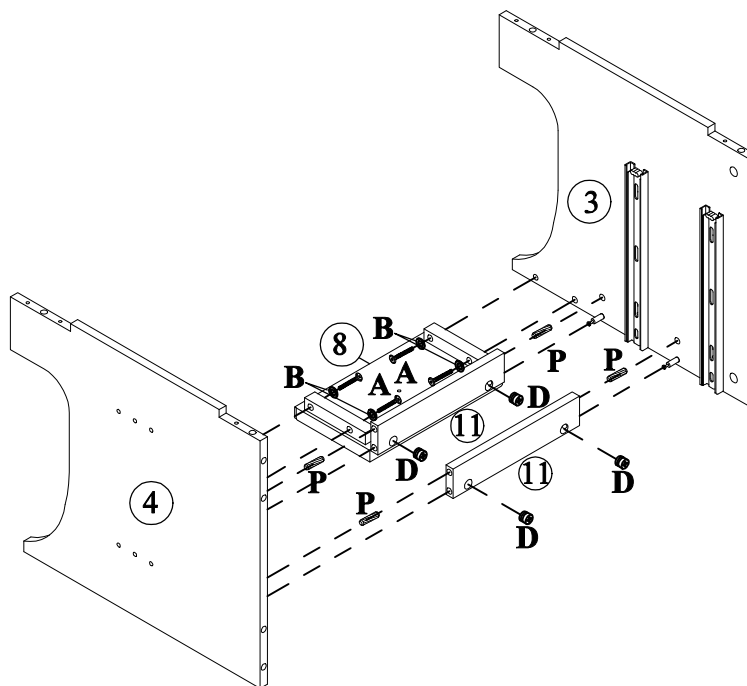
### STEP: 2

<b>M</b>		<b>O</b>	
	<b>4PCS</b>		<b>12PCS</b>



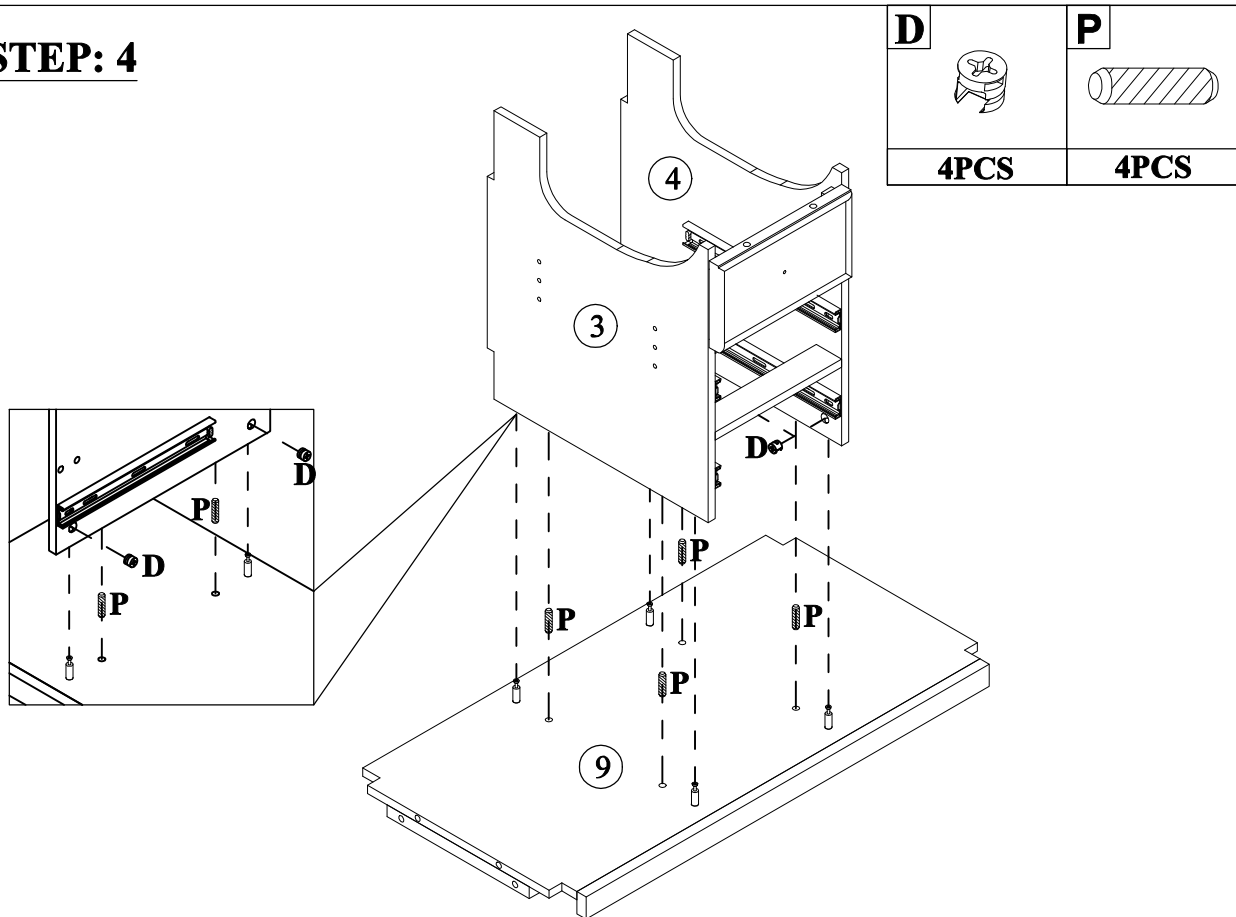
### STEP: 3


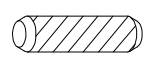
<b>A</b>	<b>B</b>	<b>D</b>	<b>P</b>
			
<b>4PCS</b>	<b>4PCS</b>	<b>4PCS</b>	<b>4PCS</b>



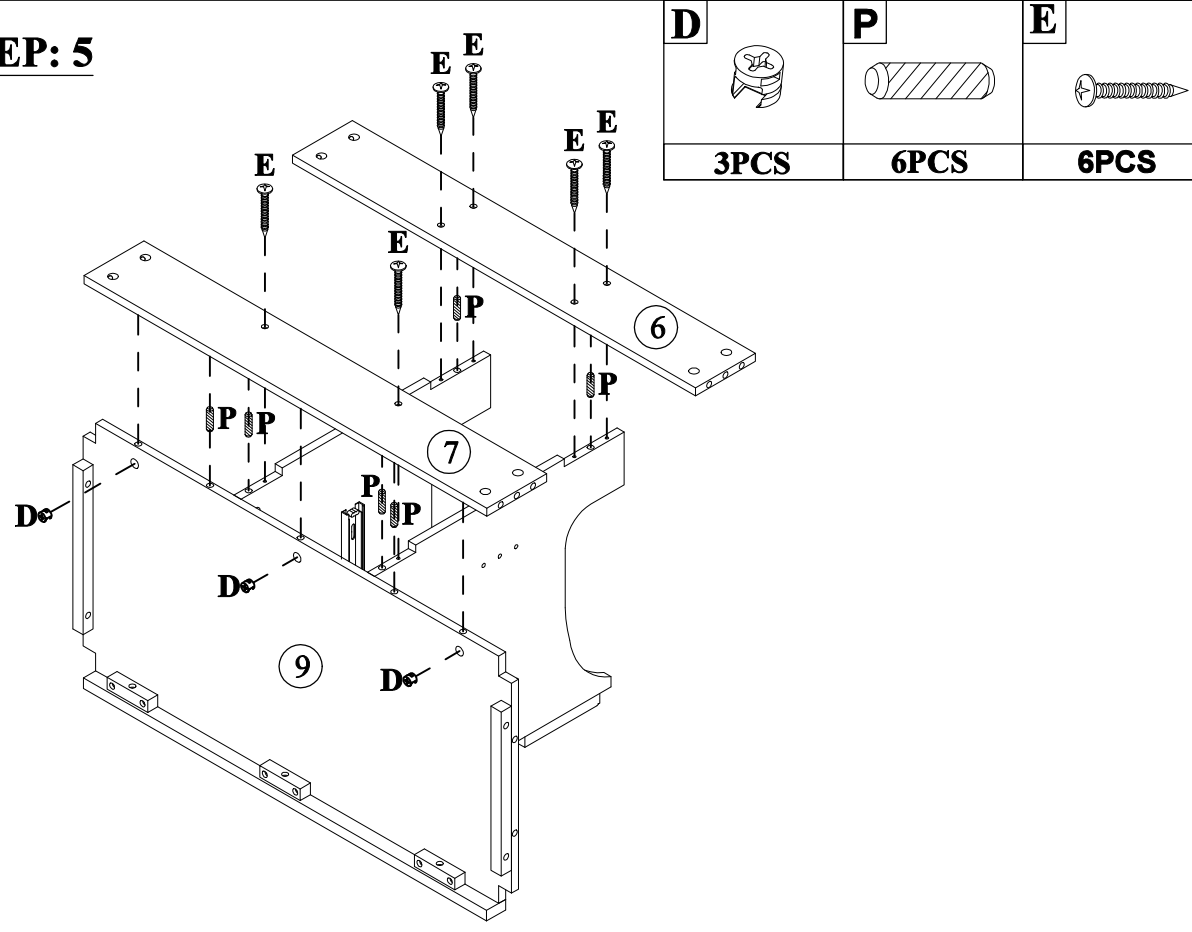





### STEP: 4






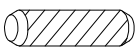
<b>D</b>		<b>P</b>	
	<b>4PCS</b>		<b>4PCS</b>

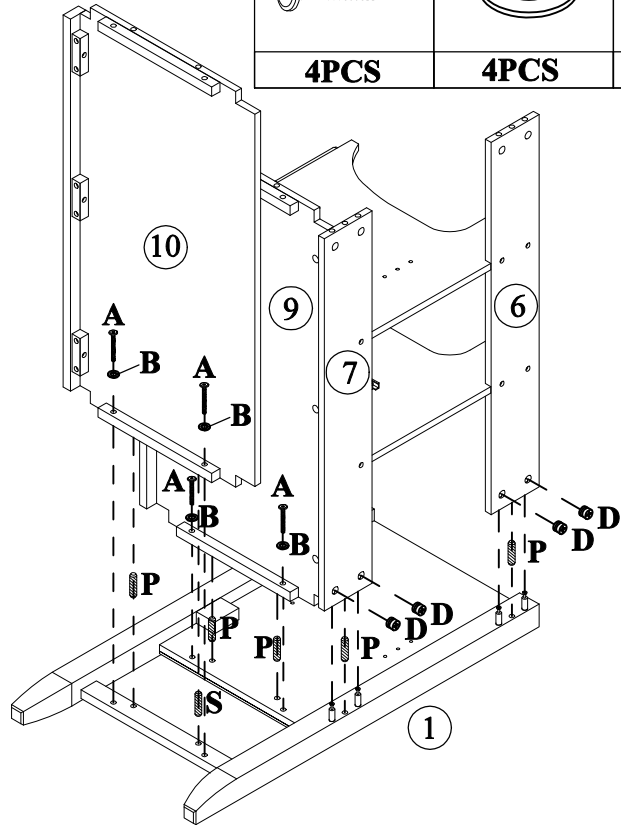
### STEP: 5






<b>D</b>		<b>P</b>		<b>E</b>	
	<b>3PCS</b>		<b>6PCS</b>		<b>6PCS</b>

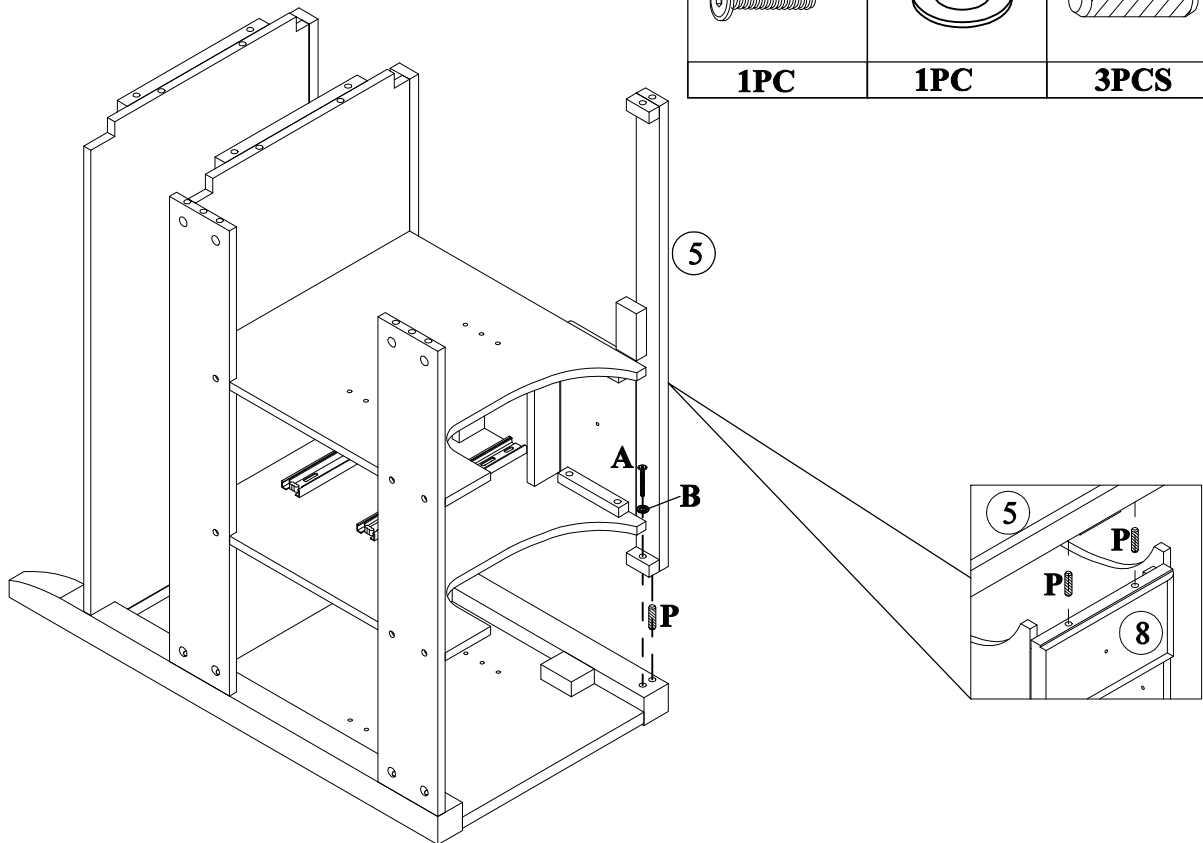
**STEP: 6**

A	B	D	P
			
4PCS	4PCS	4PCS	6PCS

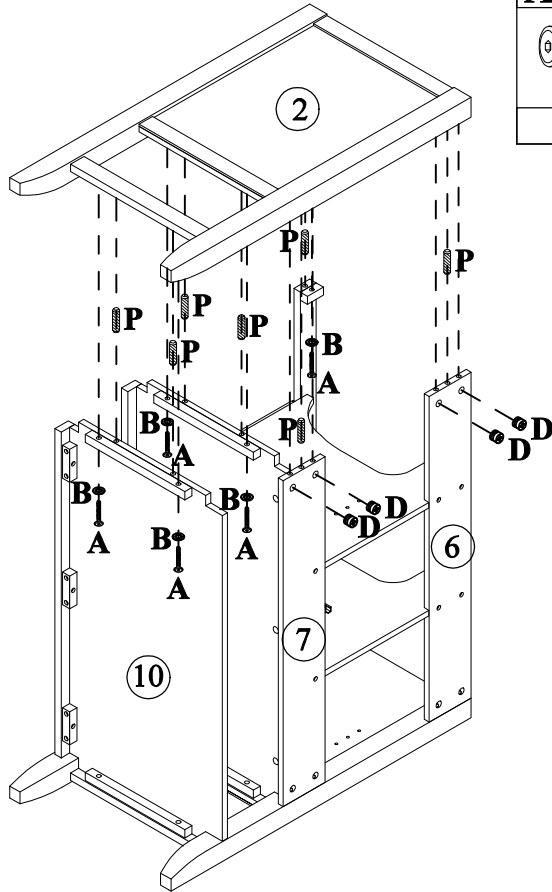




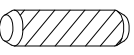

**STEP: 5**

A	B	P
		
1PC	1PC	3PCS

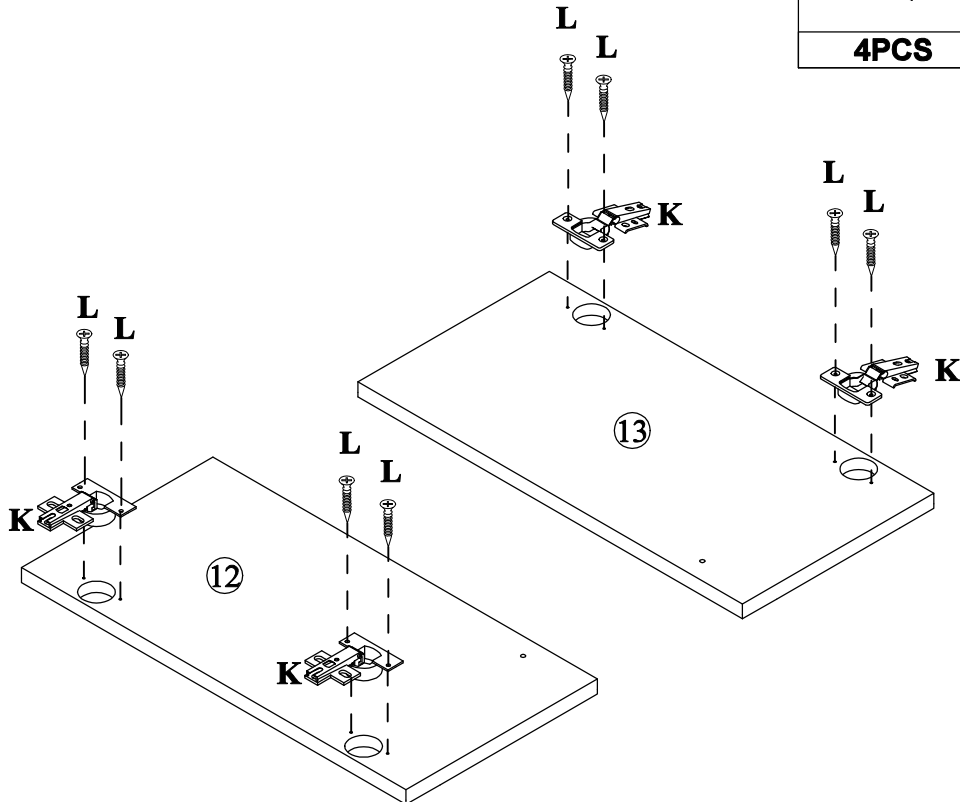




**STEP: 6**




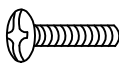
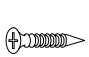
<b>A</b>	<b>B</b>	<b>P</b>
		
<b>5PCS</b>	<b>5PCS</b>	<b>7PCS</b>
		<b>D</b>
		
		<b>4PCS</b>

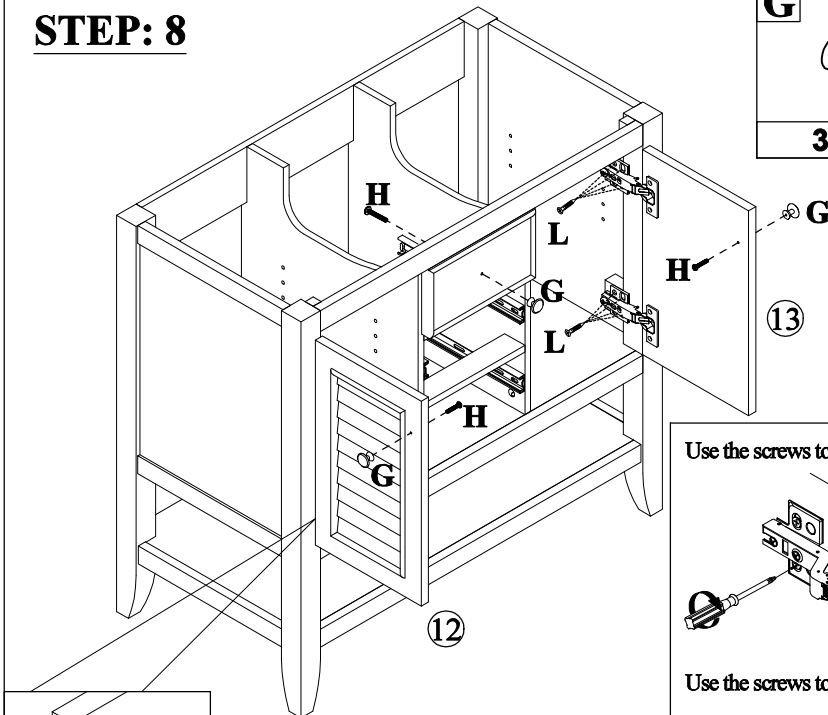
**STEP: 7**



<b>K</b>	<b>L</b>
	
<b>4PCS</b>	<b>8PCS</b>

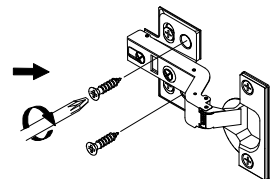
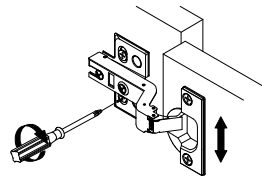
# STEP: 8

G	H	L
		
<b>3PCS</b>	<b>3PCS</b>	<b>16PCS</b>



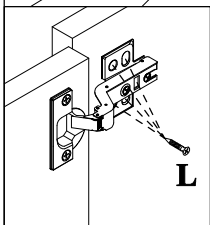
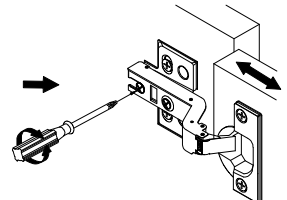
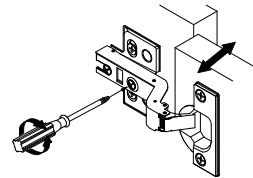
Use the screws to adjust up or down

Use the screws to permanent




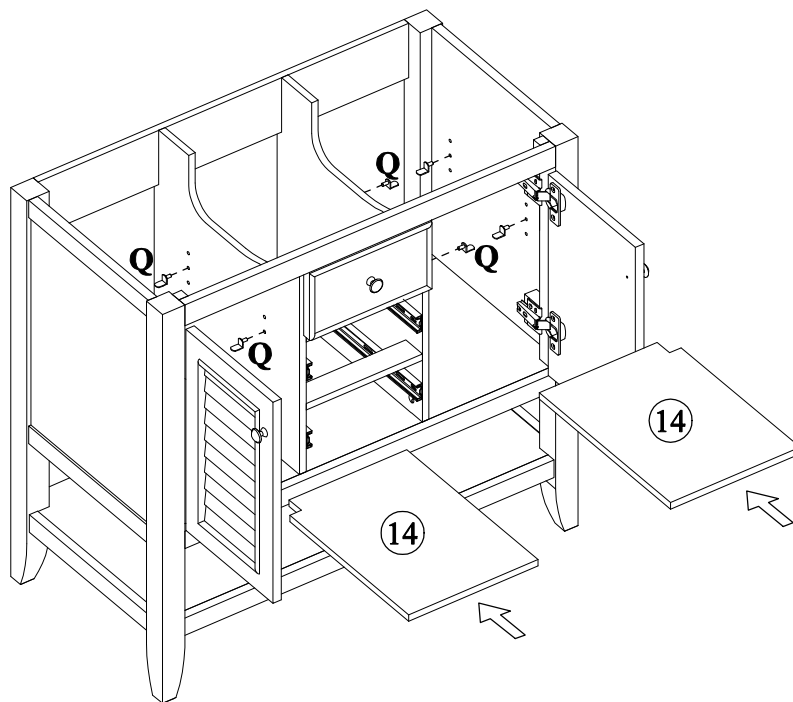
Use the screws to adjust left or right

Use the screws to adjust in or out



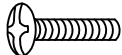
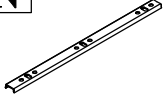



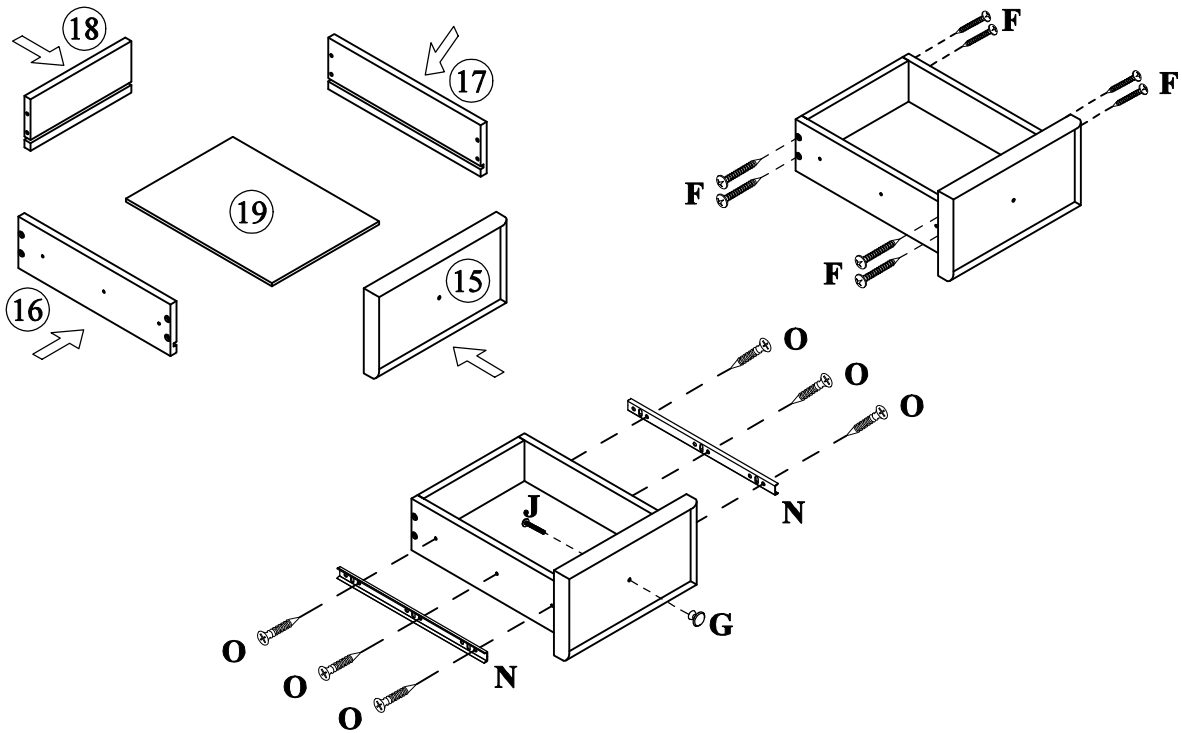
# STEP: 9

Q

<b>8PCS</b>




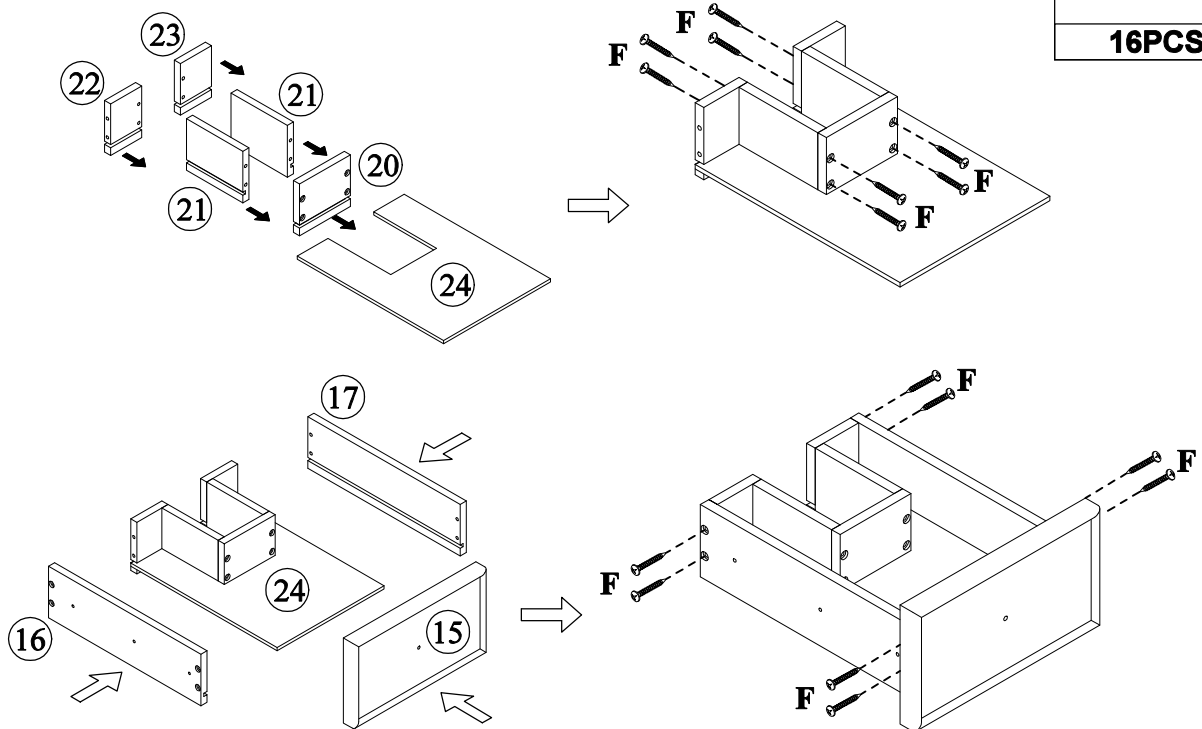
### STEP: 10

<b>F</b> 	<b>G</b> 	<b>J</b> 	<b>N</b> 	<b>O</b> 
<b>8PCS</b>	<b>1PC</b>	<b>1PC</b>	<b>2PCS</b>	<b>6PCS</b>


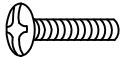
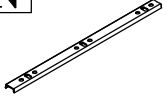
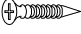


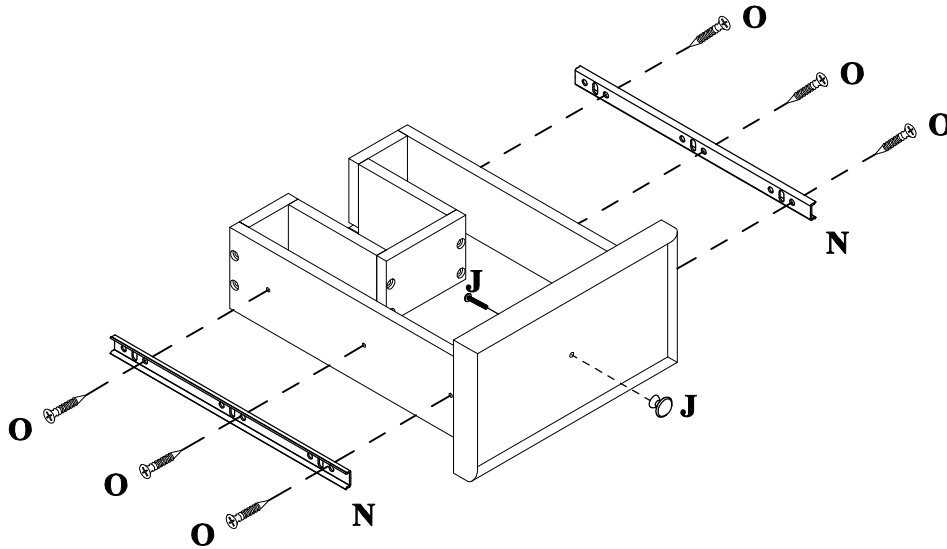
### STEP: 11

<b>F</b> 
<b>16PCS</b>



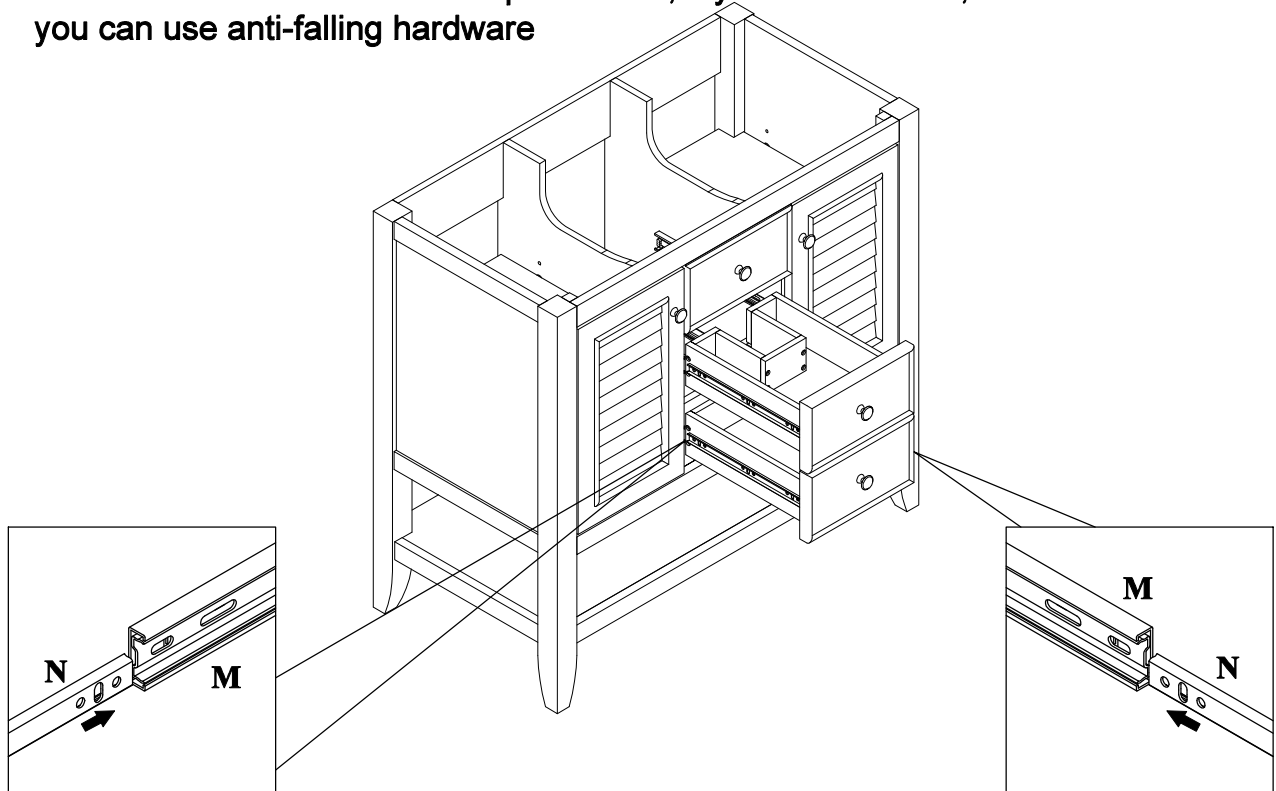
## **STEP: 12**

<b>G</b>		<b>J</b>		<b>N</b>		<b>O</b>	
	<b>1PC</b>		<b>1PC</b>		<b>2PCS</b>		<b>6PCS</b>



## **STEP: 13**

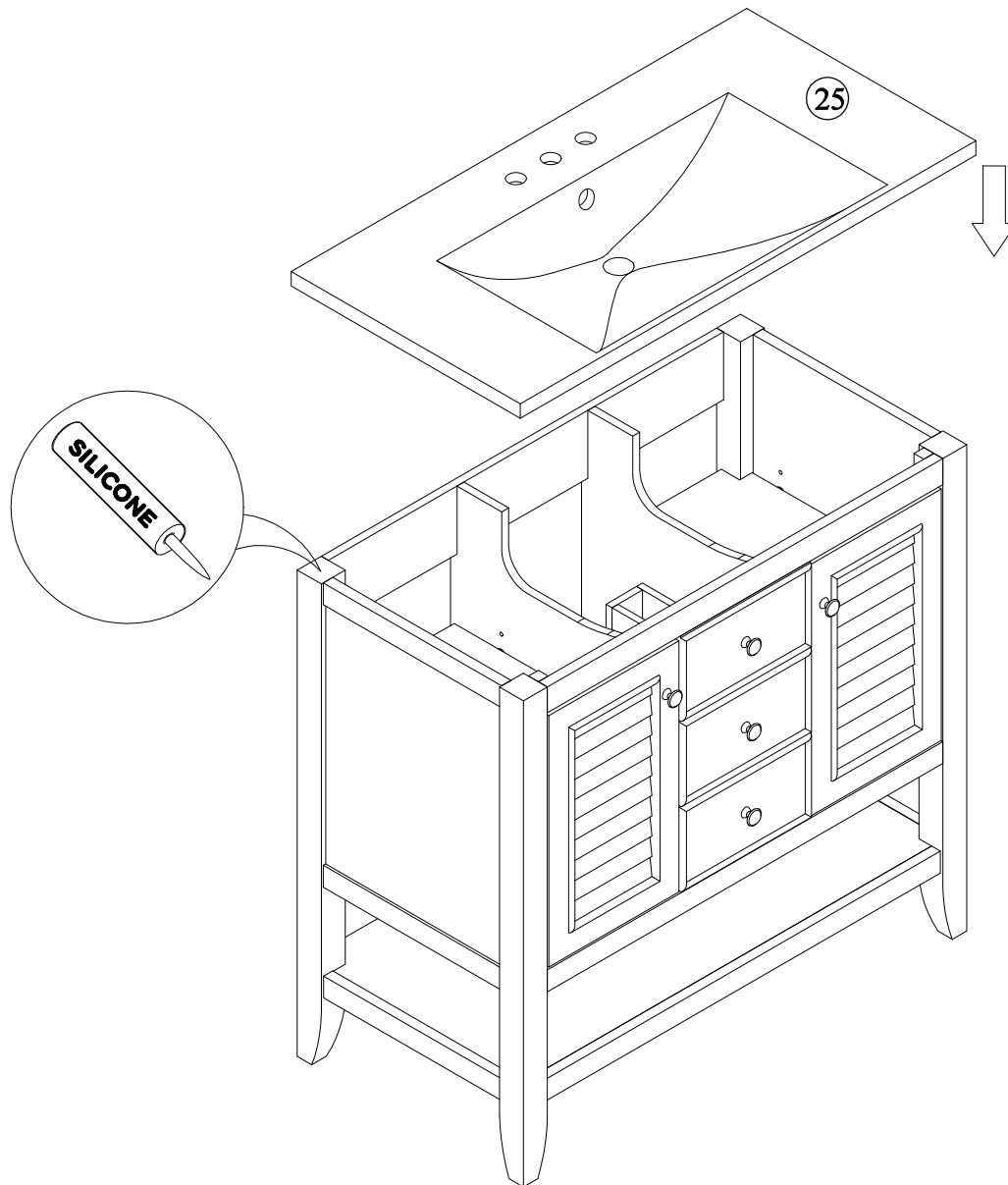
The structure of the cabinet is quite stable, if you are not sure, you can use anti-falling hardware



**STEP: 12**

Install the sink on the cabinet with glue.

Let stand for 24 hours



**STEP: 18**

