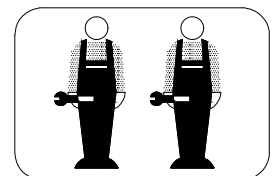
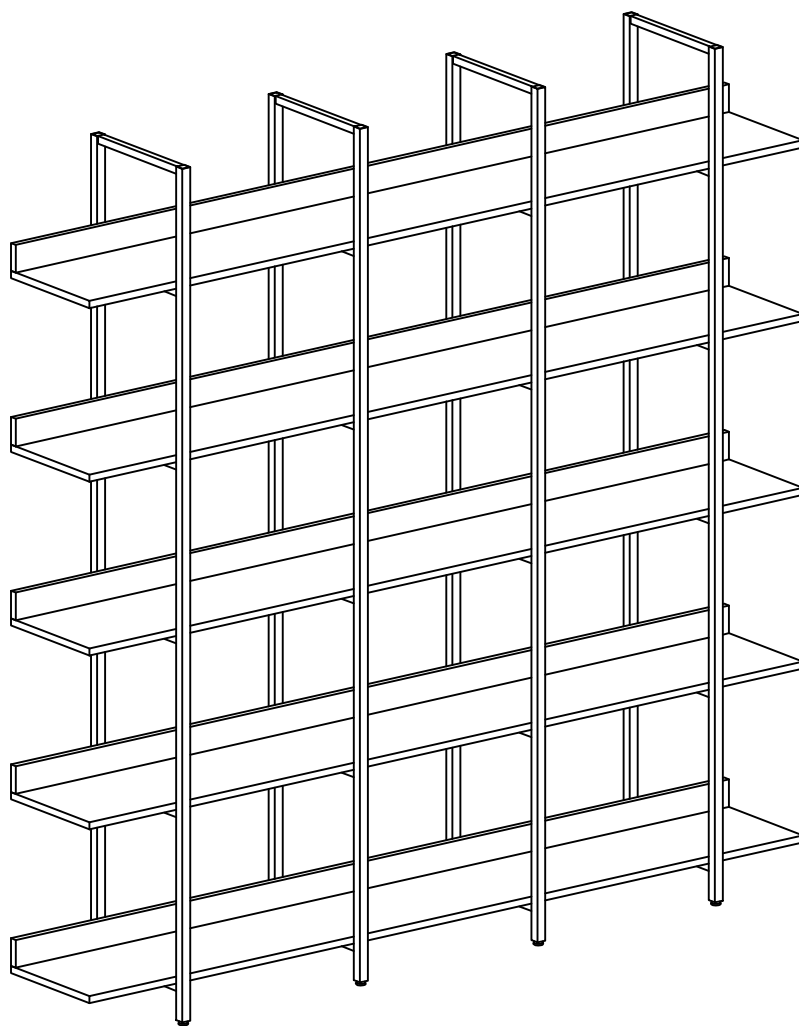
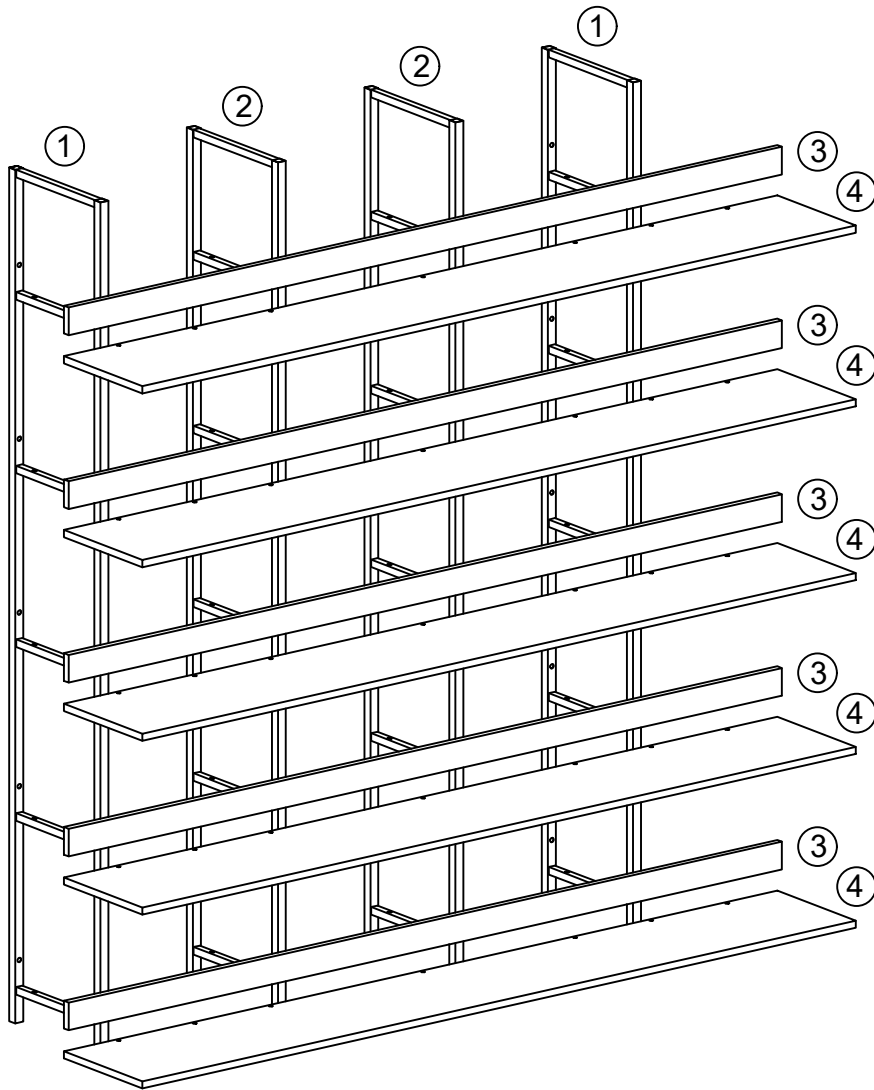


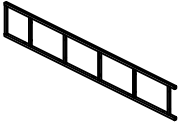
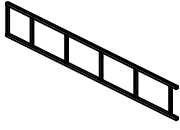


ASSEMBLY INSTRUCTIONS

WF300935

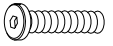





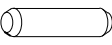






Part List

			
①×2pcs	②×2pcs	③×5pcs	④×5pcs

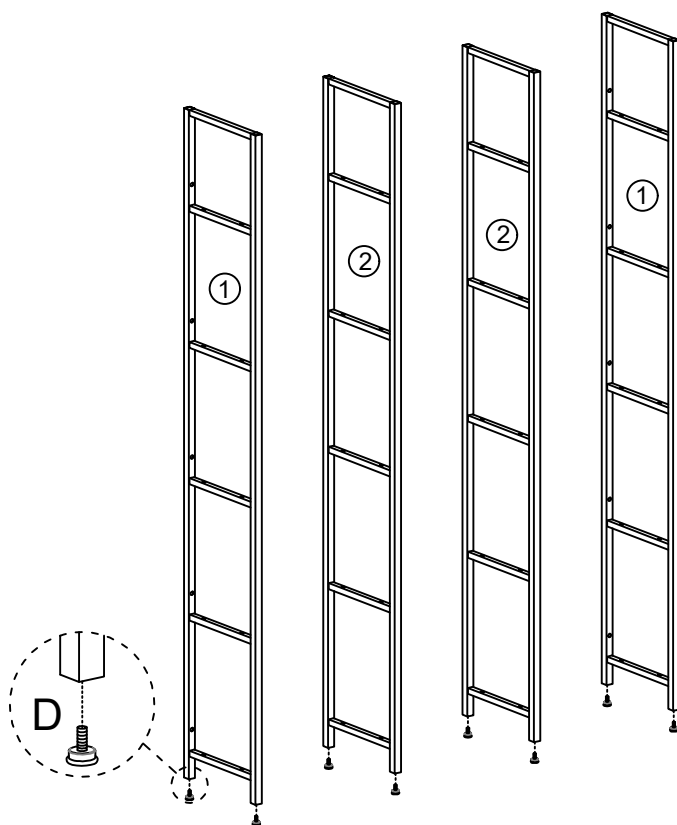
Hardware List

 M6×25mm	 M6×30mm	 φ7X40mm	 M4	
Ⓐ×40pcs	Ⓑ×10pcs	Ⓒ×25pcs	Ⓓ×8pcs	Ⓔ×1pc
 4x35mm	 Φ8x30mm	 Φ6x30mm		
Ⓕ×2pcs	Ⓖ×10pcs	Ⓗ×2pcs	Ⓖ×2pcs	


Step 1




ⓓ × 8 pcs



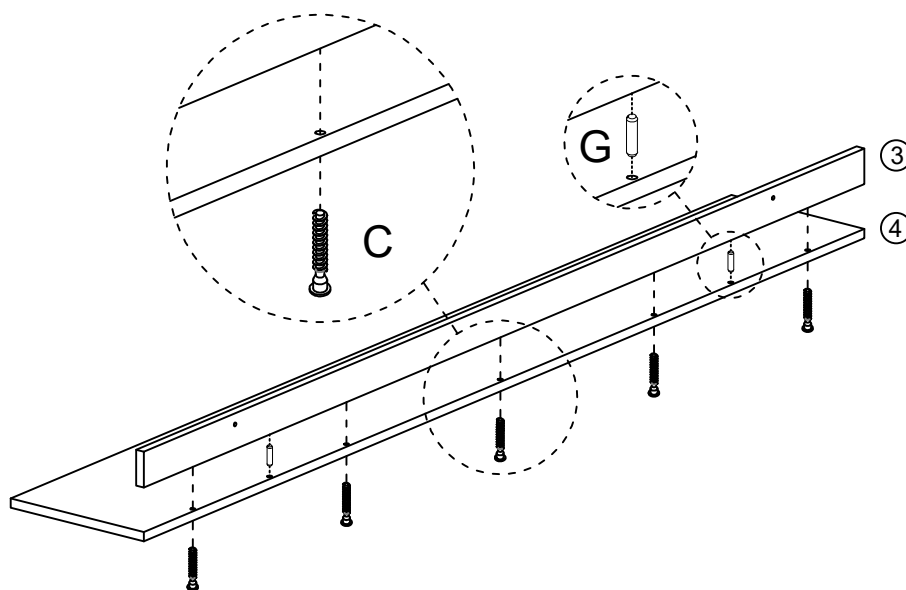
Step 2

 $\phi 7 \times 40 \text{ mm}$

Ⓒ × 25 pcs

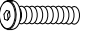
 $\Phi 8 \times 30 \text{ mm}$

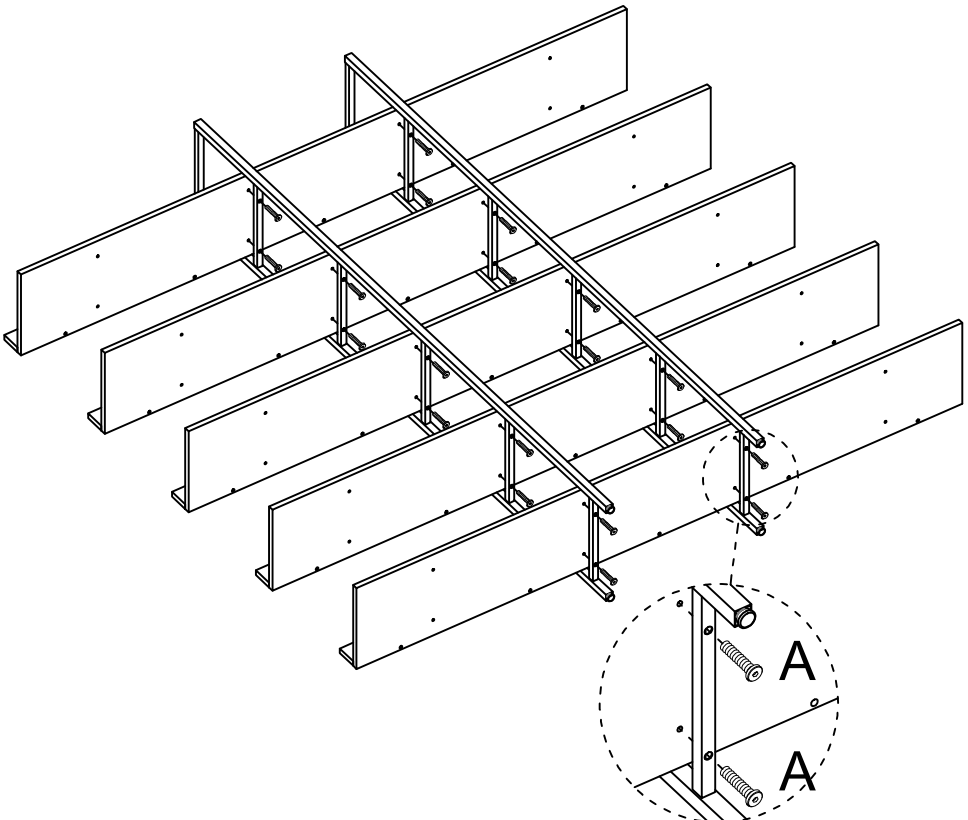
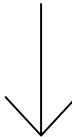
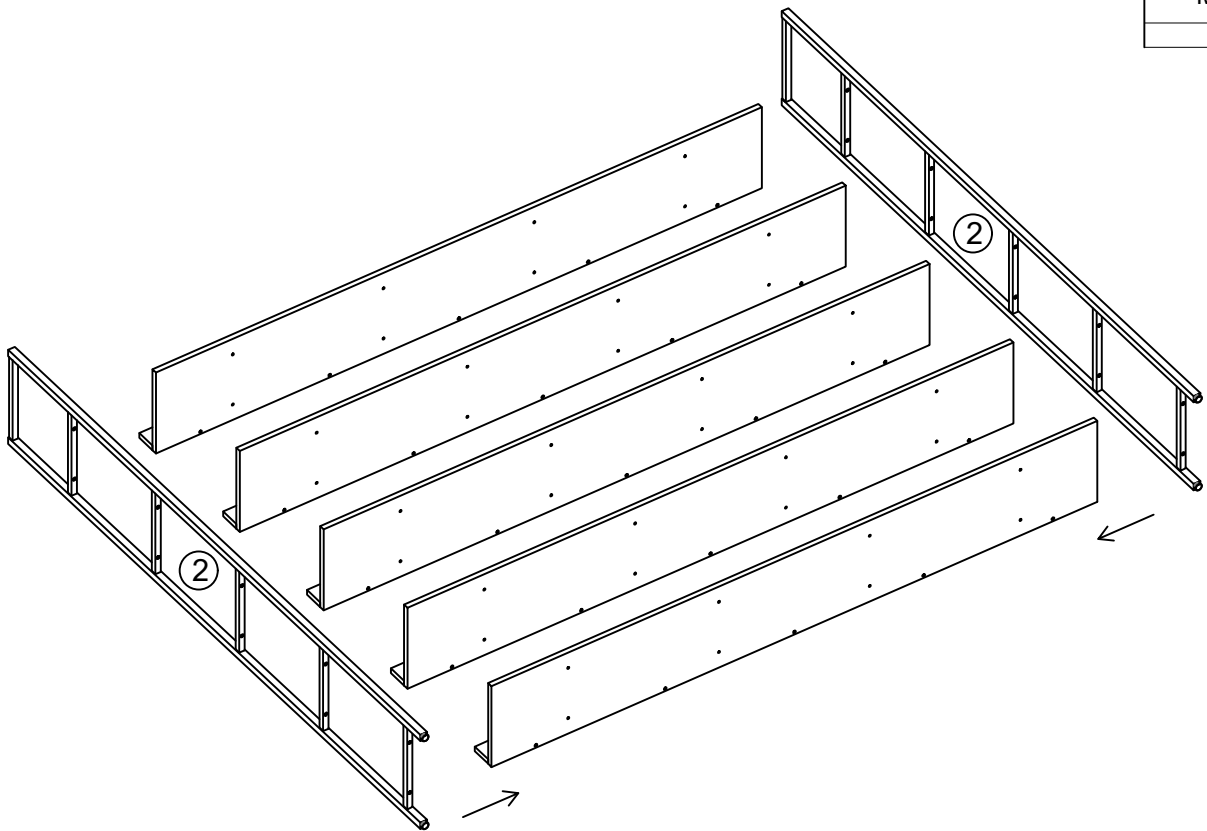
Ⓔ × 10 pcs



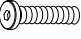
X5

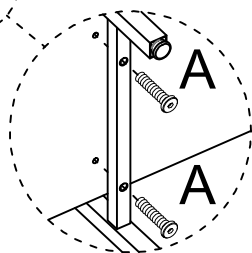
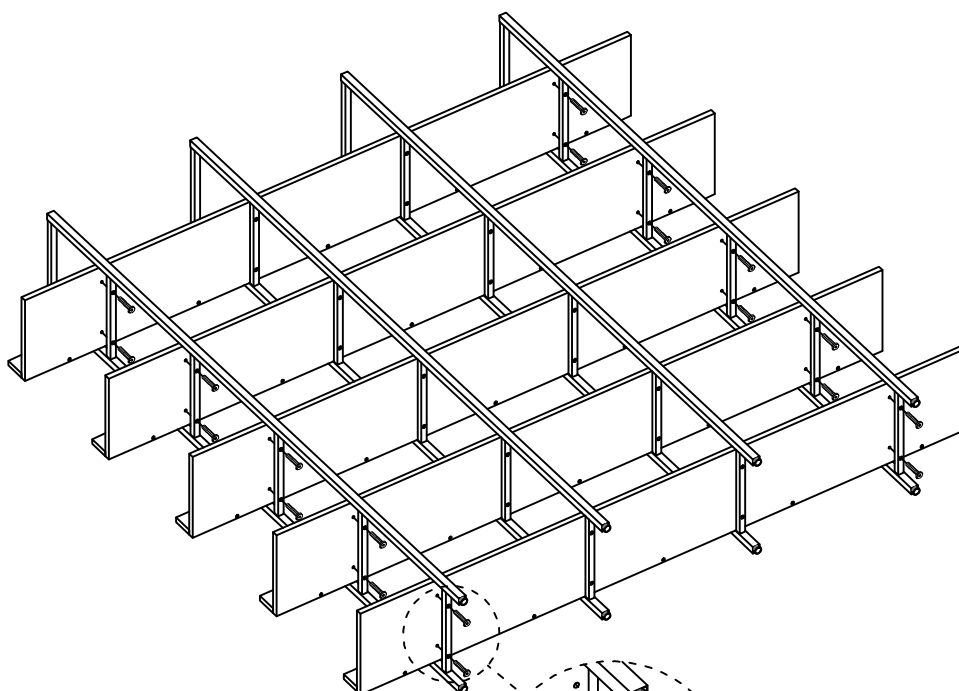
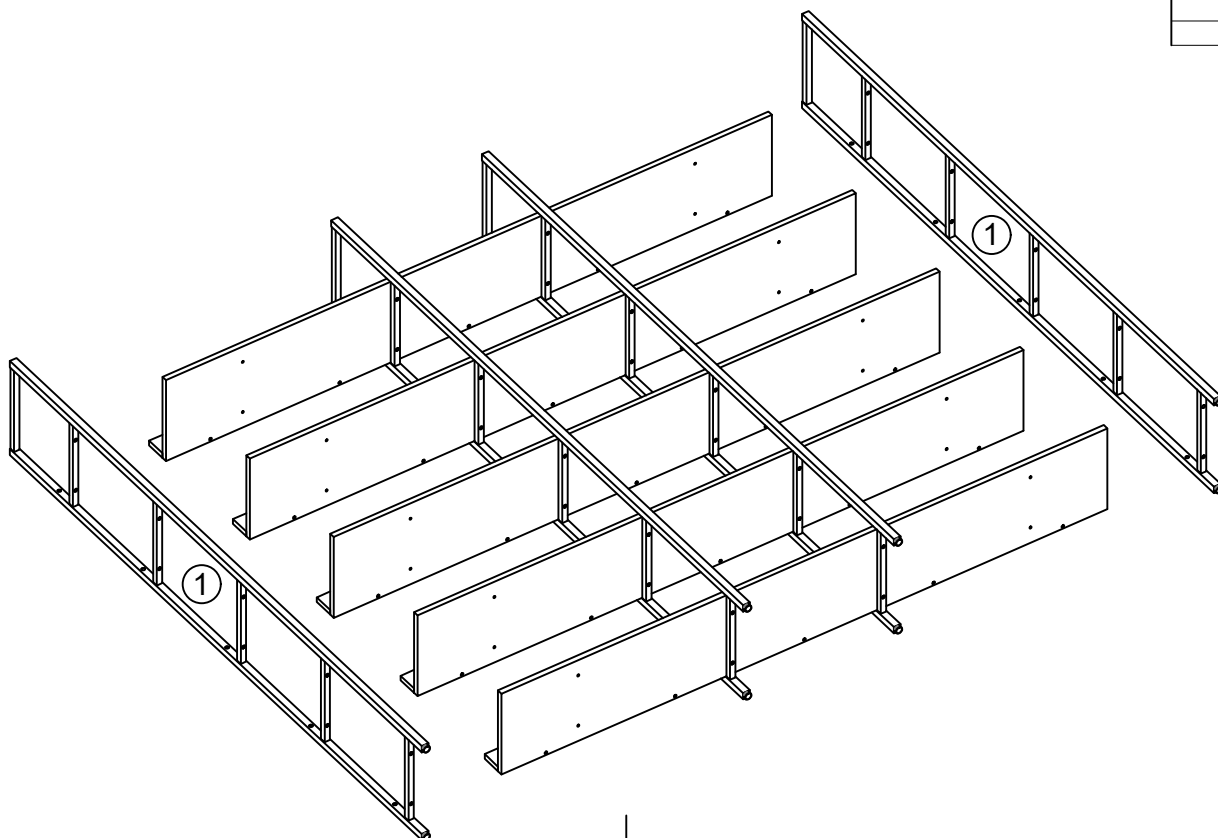
Step 3


M6×25mm
A×20pcs

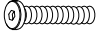


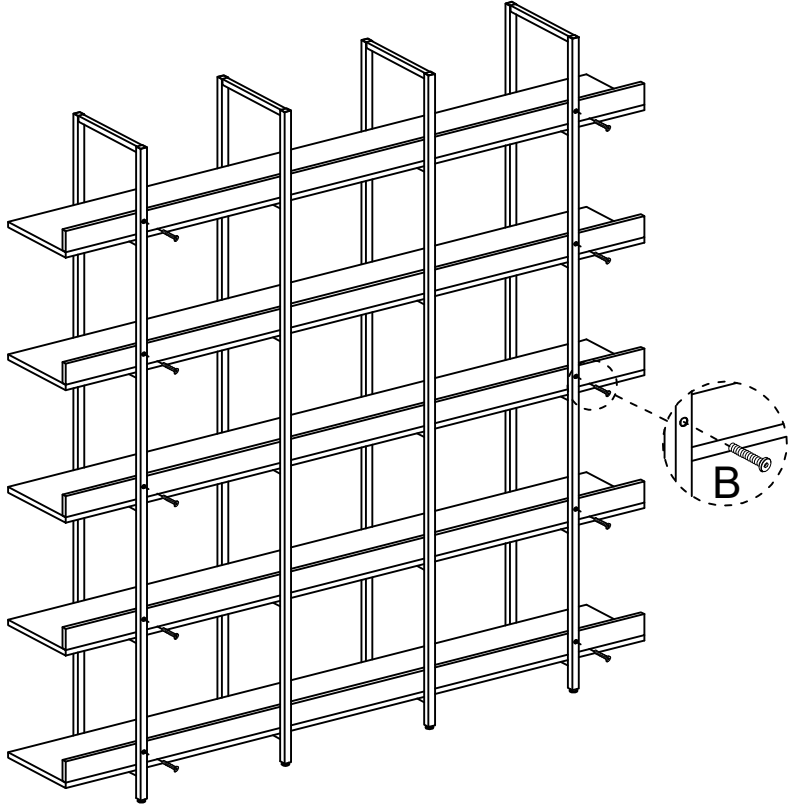
Step 4


M6×25mm
A)×20pcs

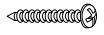




Step 5


M6×30mm
(B)×10pcs



Step 6


4x35mm
(F)×2pcs

Φ6x30mm
(H)×2pcs

(I)×2pcs

