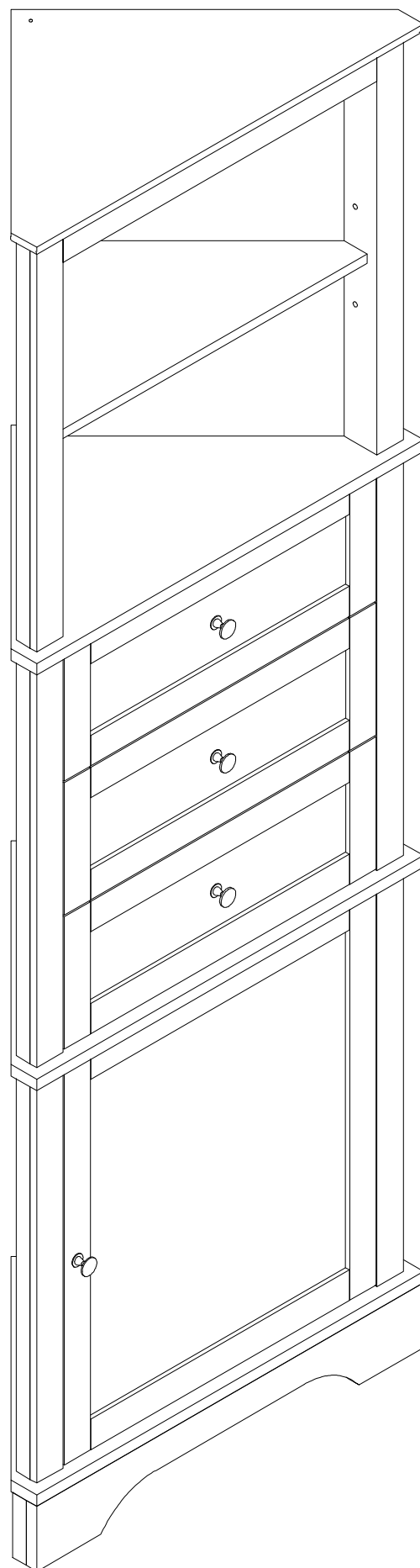
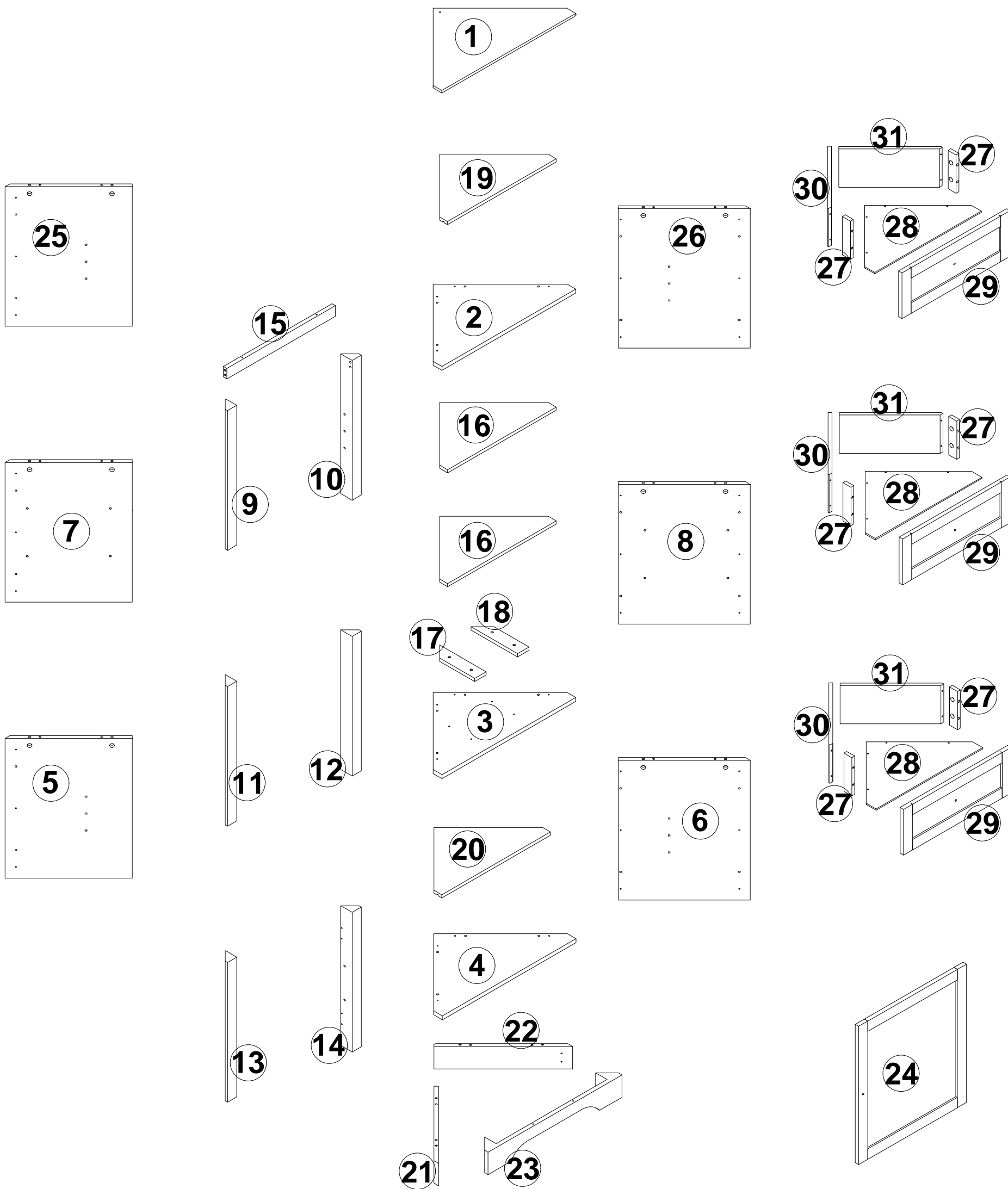




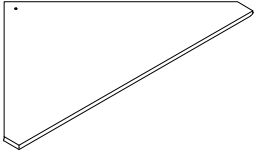
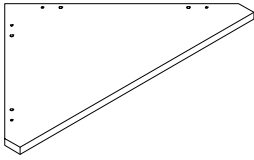
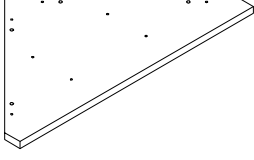
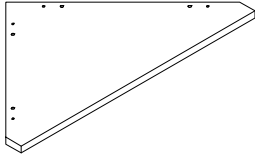
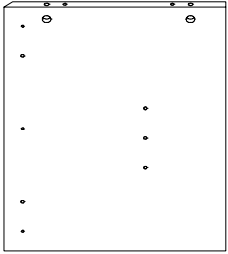
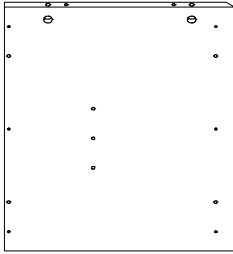
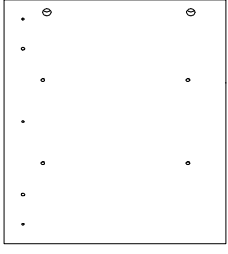
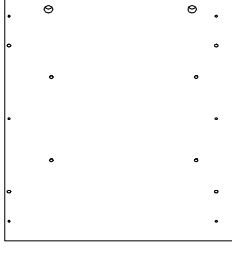

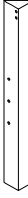

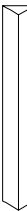


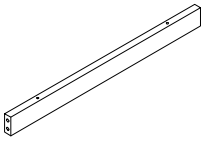
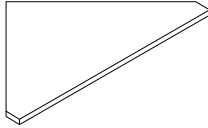
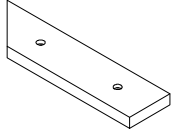
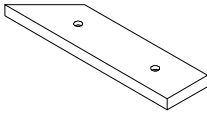
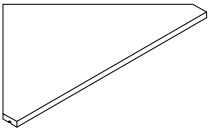
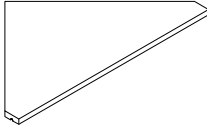

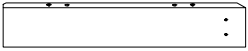
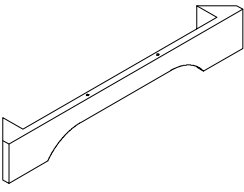
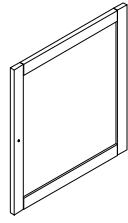
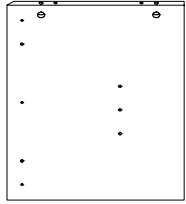
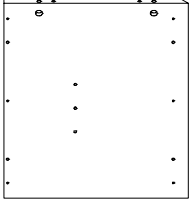

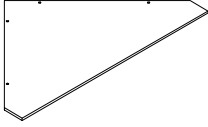
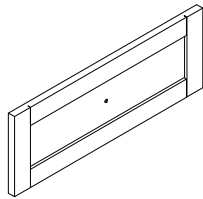

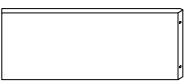
# ASSEMBLY INSRTRUCTION

## WF298150AAK

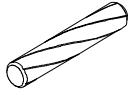
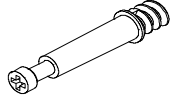

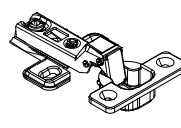
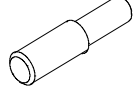
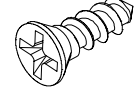
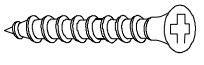
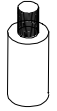
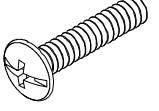


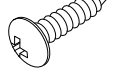
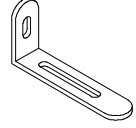
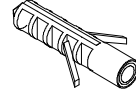
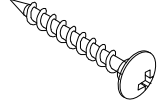
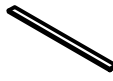




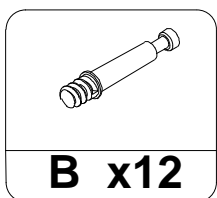
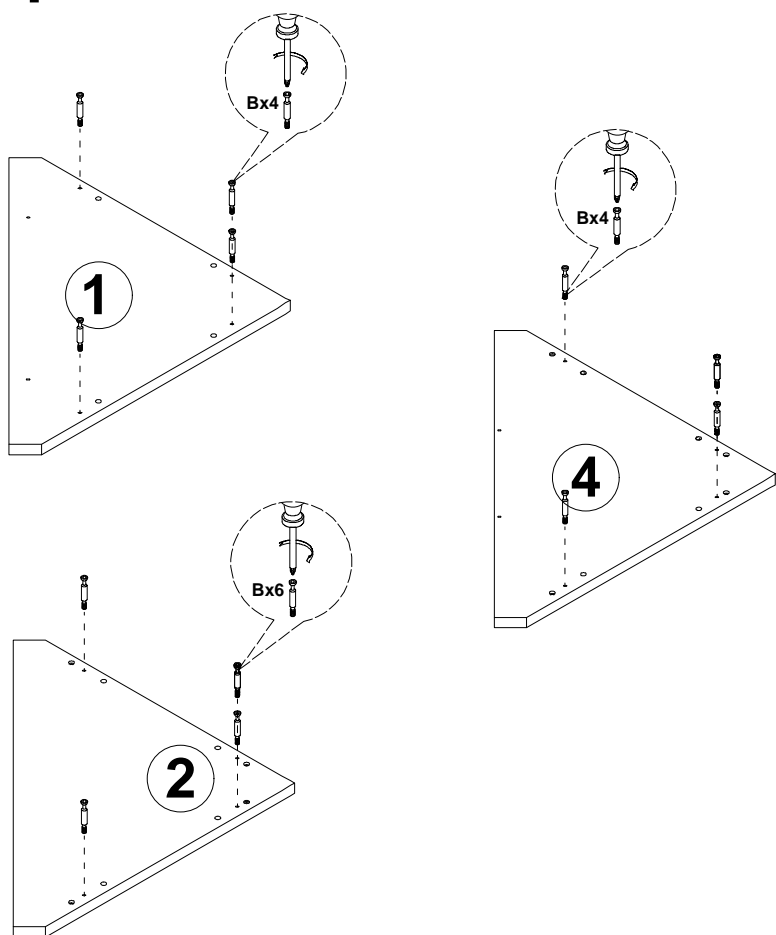


			
① x 1	② x 1	③ x 1	④ x 1
			
⑤ x 1	⑥ x 1	⑦ x 1	⑧ x 1
			
⑨ x 1	⑩ x 1	⑪ x 1	⑫ x 1
			
⑬ x 1	⑭ x 1	⑮ x 1	⑯ x 2
			
⑰ x 1	⑱ x 1	⑲ x 1	⑳ x 1
			
㉑ x 1	㉒ x 1	㉓ x 1	㉔ x 1
			
㉕ x 1	㉖ x 1	㉗ x 6	㉘ x 3
			
㉙ x 3	㉚ x 3	㉛ x 3	

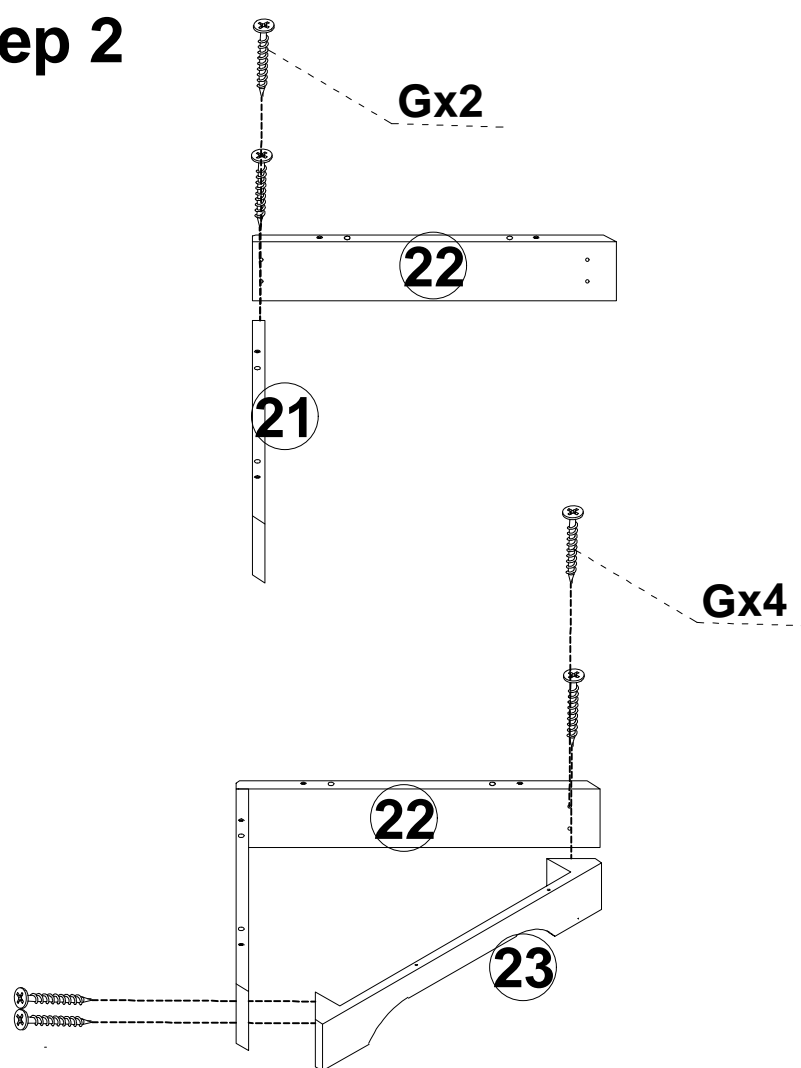


 <b>Φ6x30mm</b> <b>A x 60+3</b>	 <b>B x 28+2</b>	 <b>C x 28+2</b>	 <b>D x2</b>	 <b>E x8+1</b>	 <b>Φ4x15mm</b> <b>F x8+1</b>
 <b>Φ4x35mm</b> <b>G x64+3</b>	 <b>Hx3</b>	 <b>Φ4x16mm</b> <b>I x4</b>	 <b>J x4</b>	 <b>Φ4x25mm</b> <b>K x16+1</b>	 <b>Φ4x12mm</b> <b>L x1</b>
 <b>M x1</b>	 <b>N x1</b>	 <b>Φ4x45mm</b> <b>O x4</b>	 <b>P x6</b>		

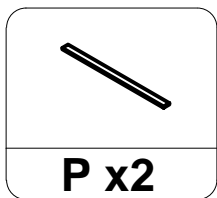
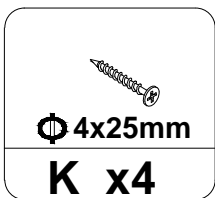
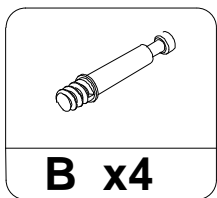
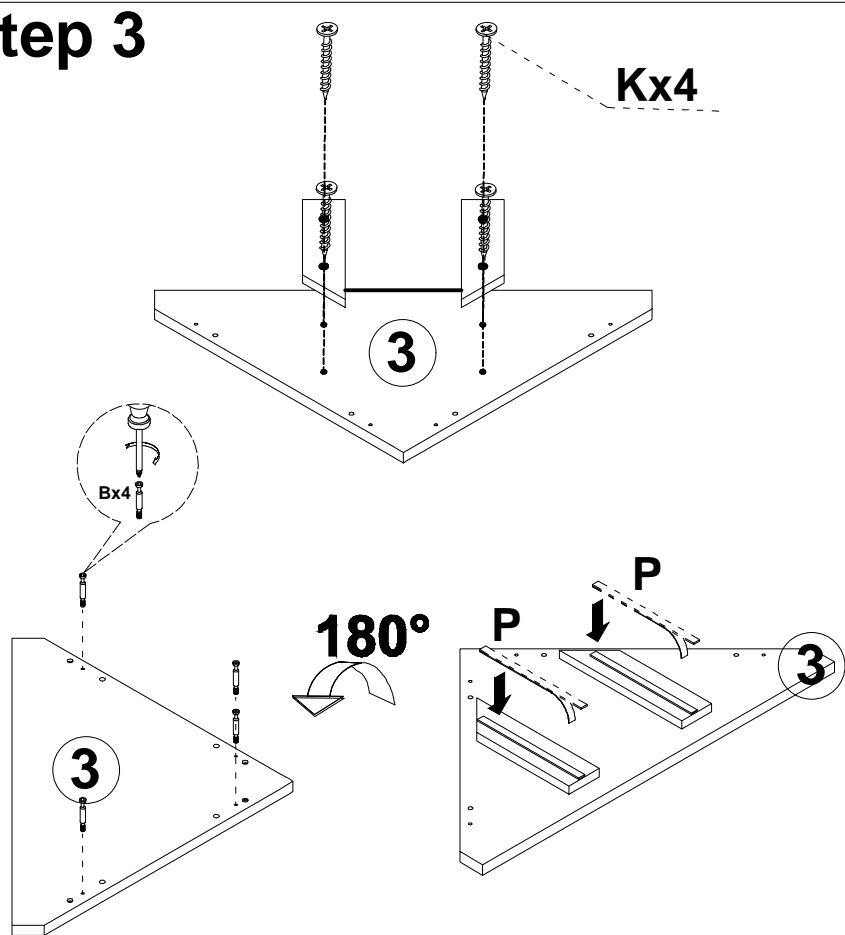
### step 1



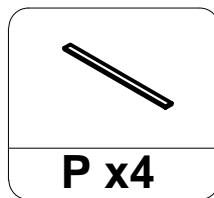
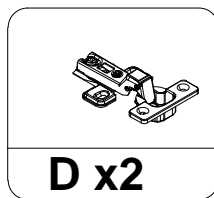
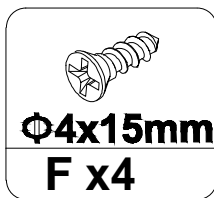
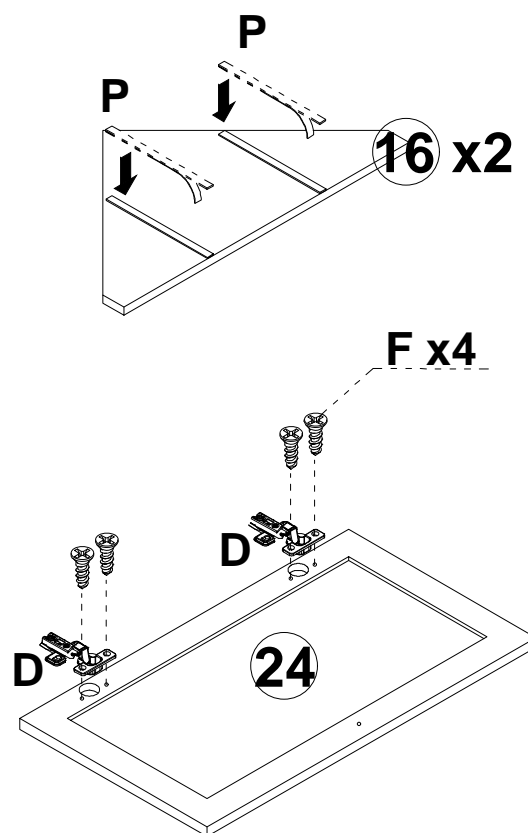
### step 2



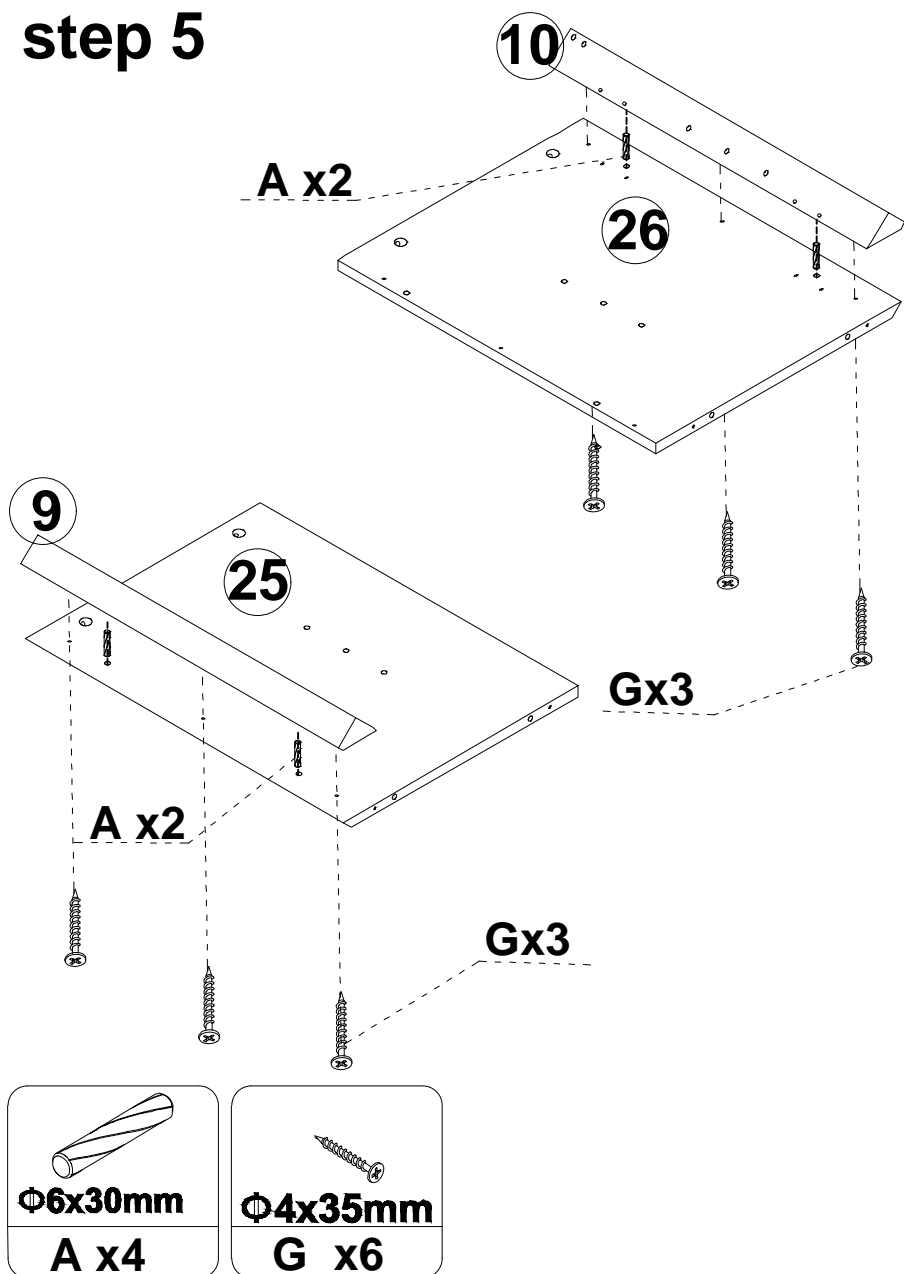
### step 3



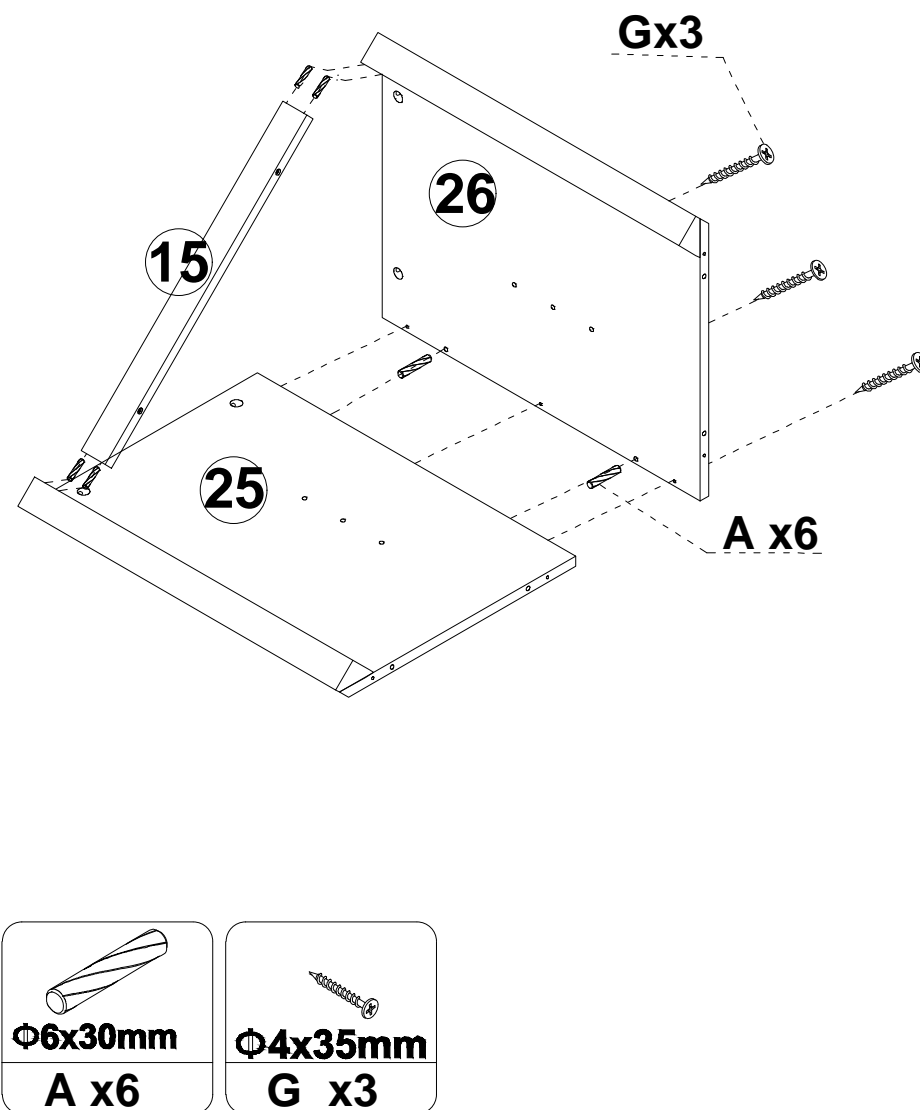
### step 4



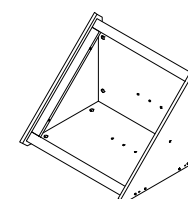
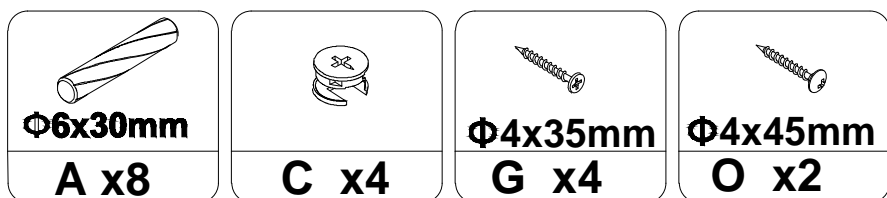
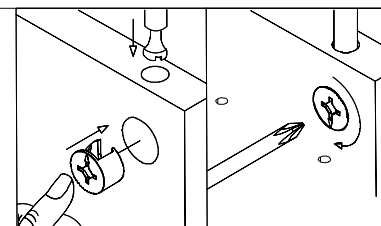
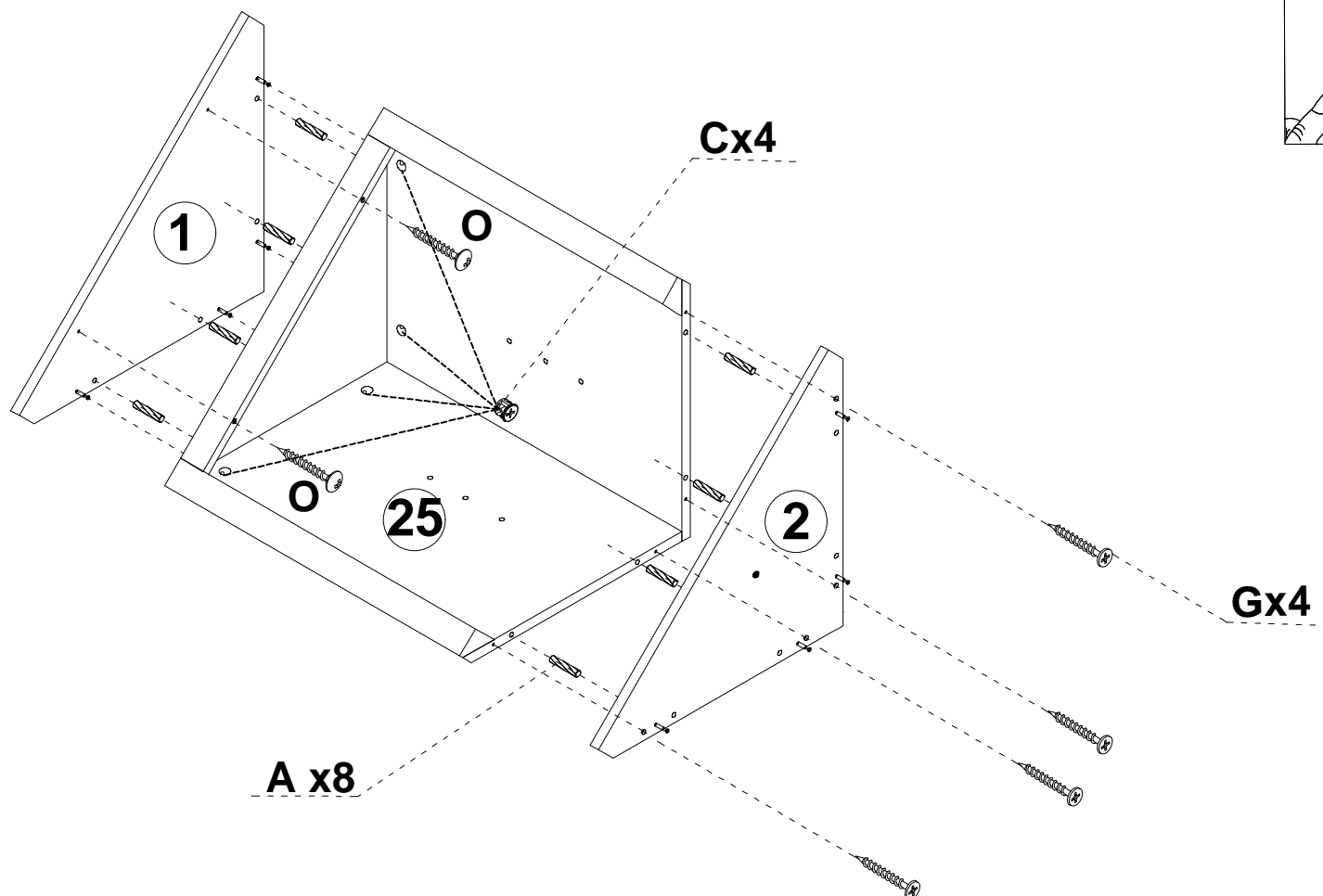
### step 5



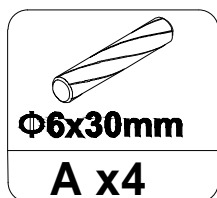
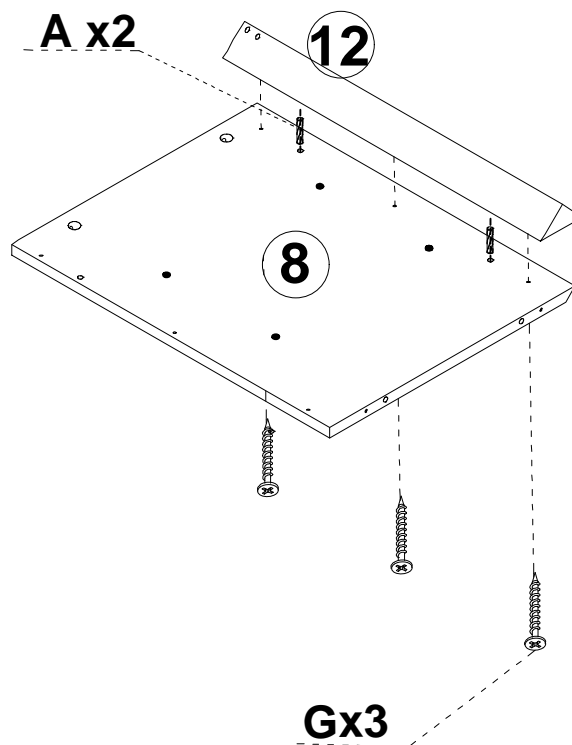
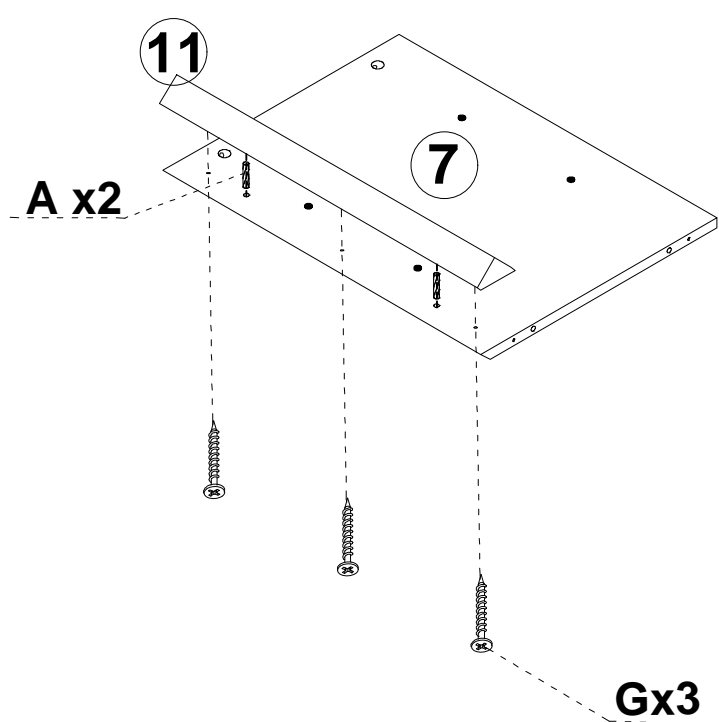
### step 6



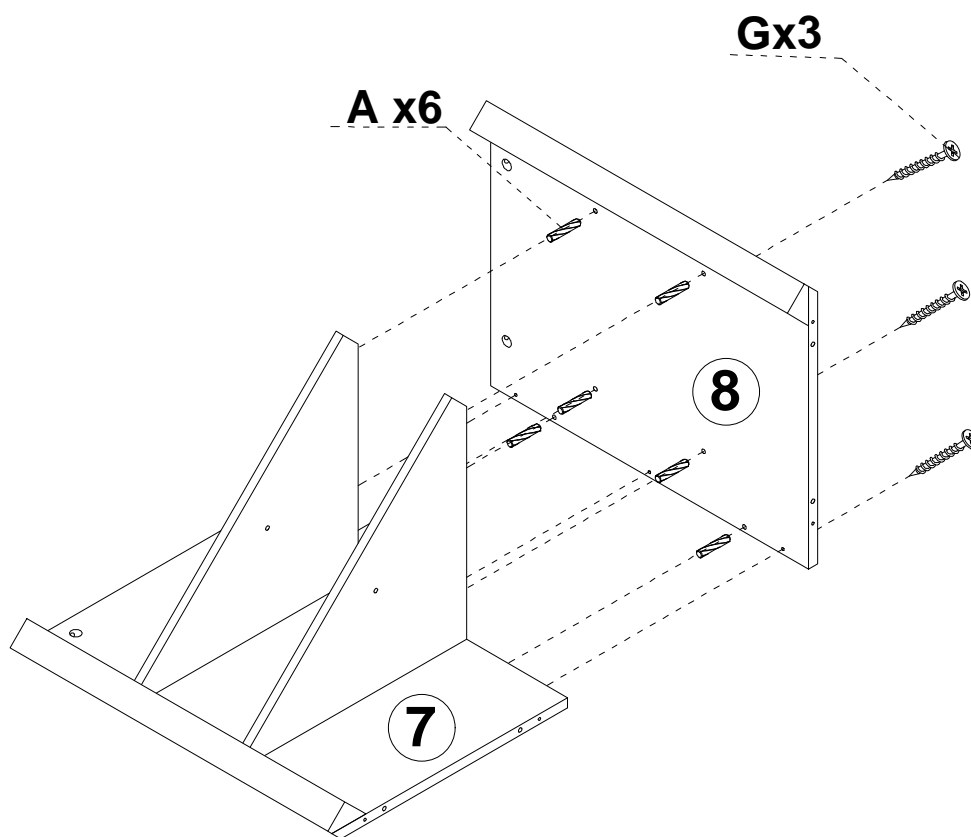
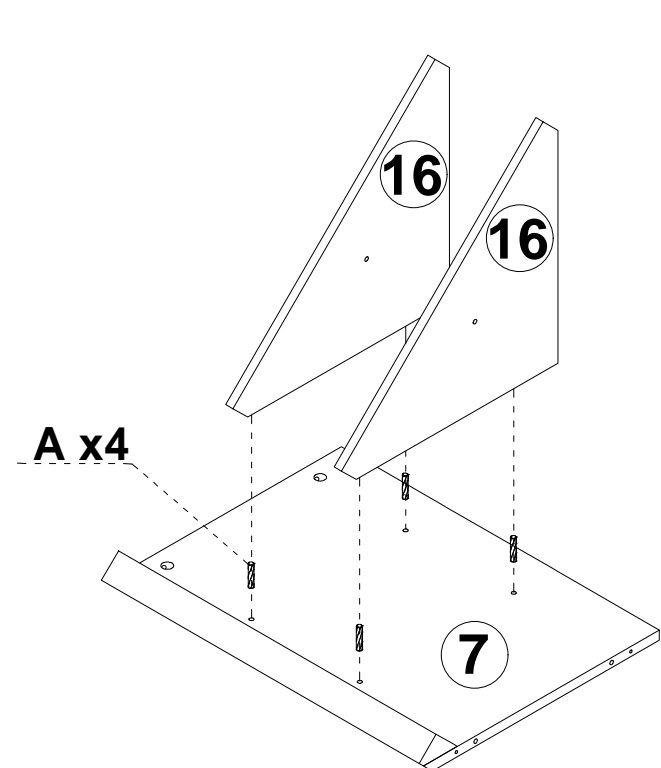
### step 7



## step 8

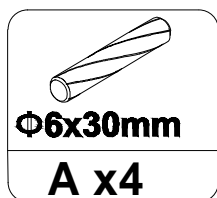
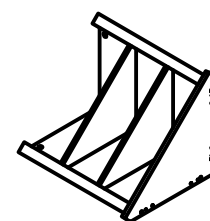
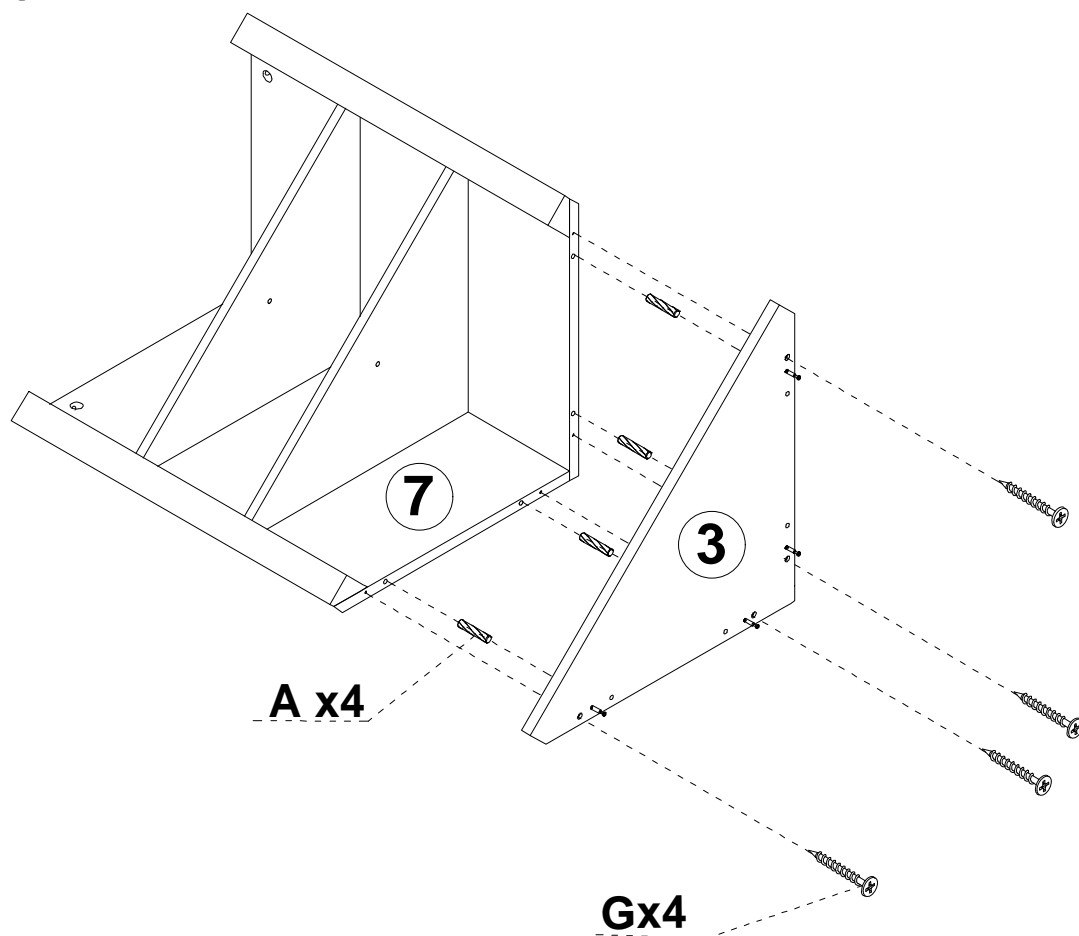


## step 9

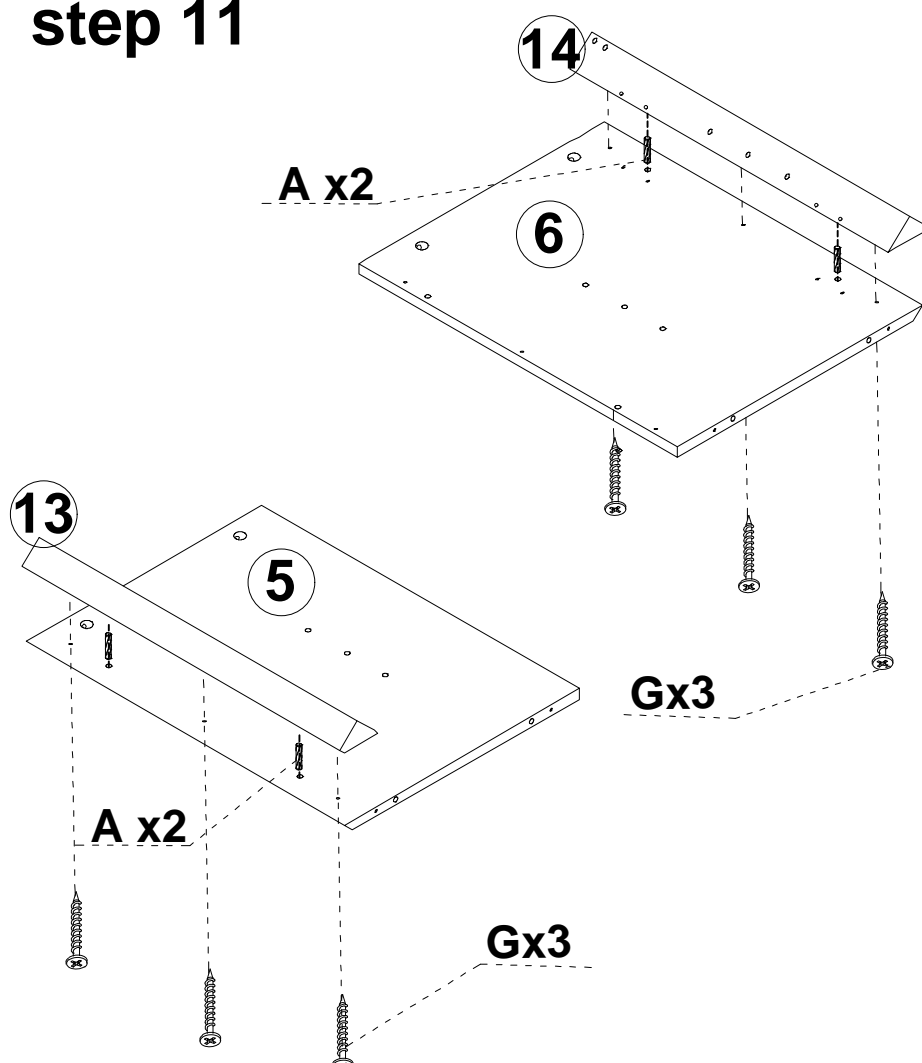




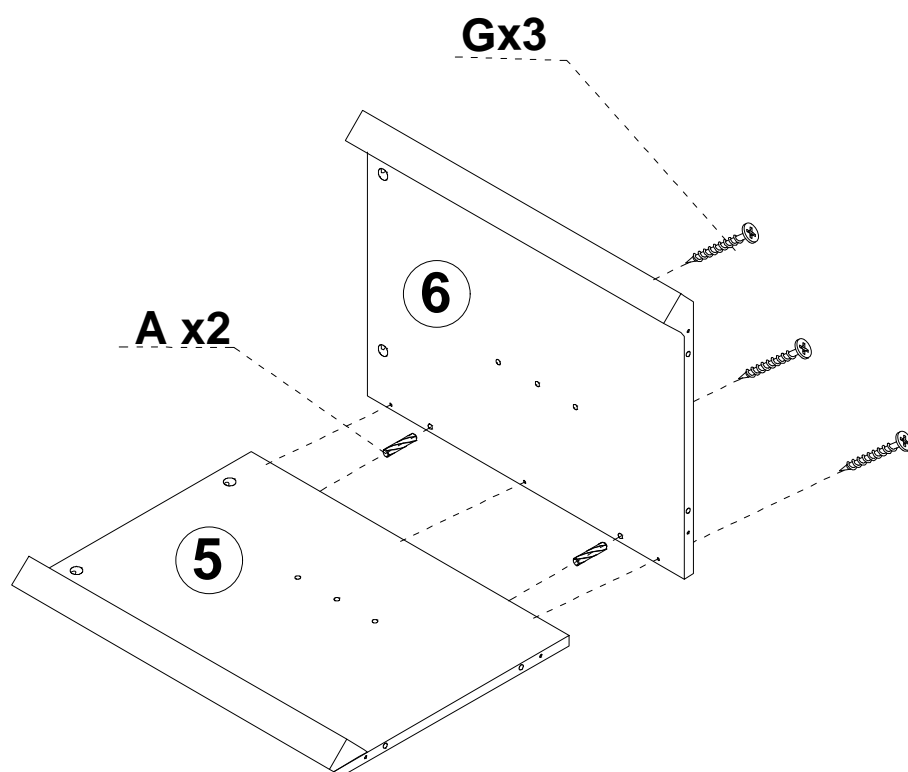
### step 10



### step 11

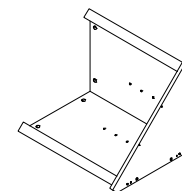
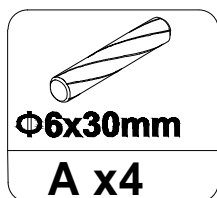
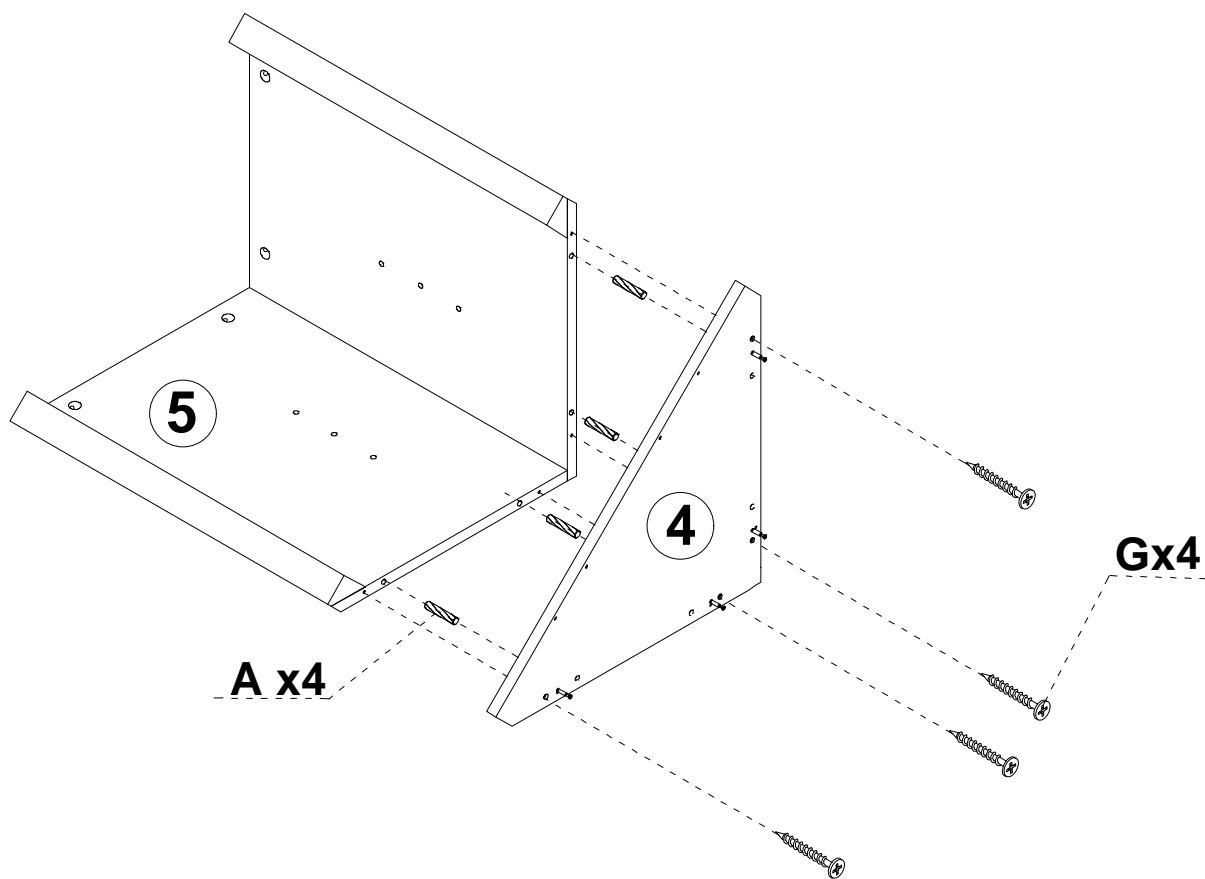


### step 12

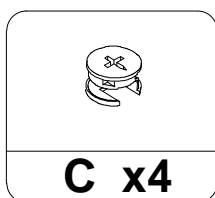
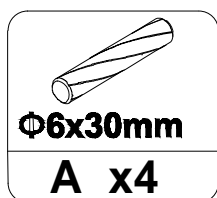
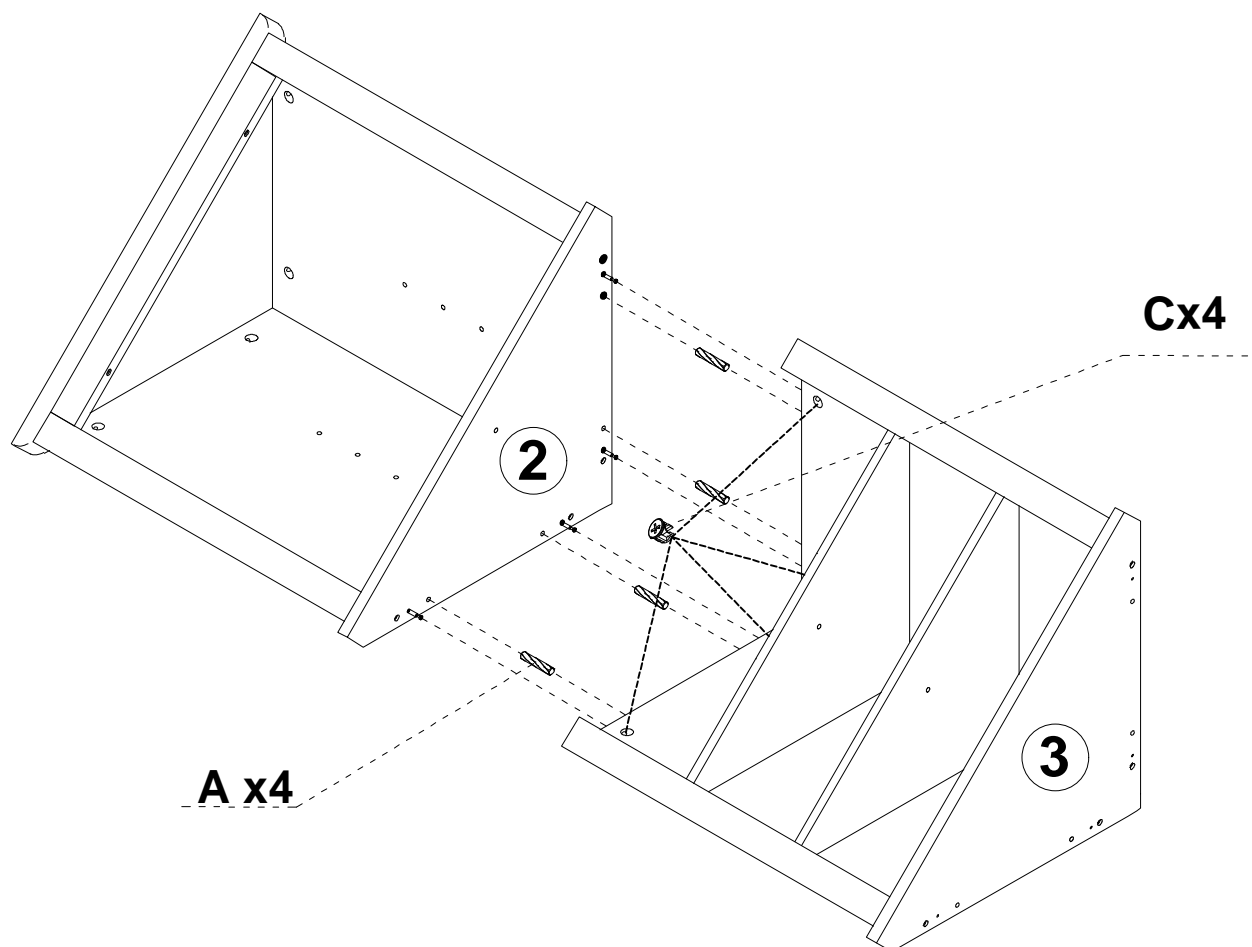




## step 13

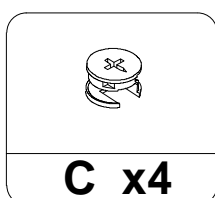
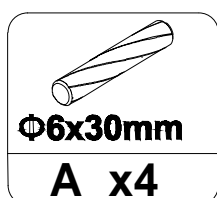
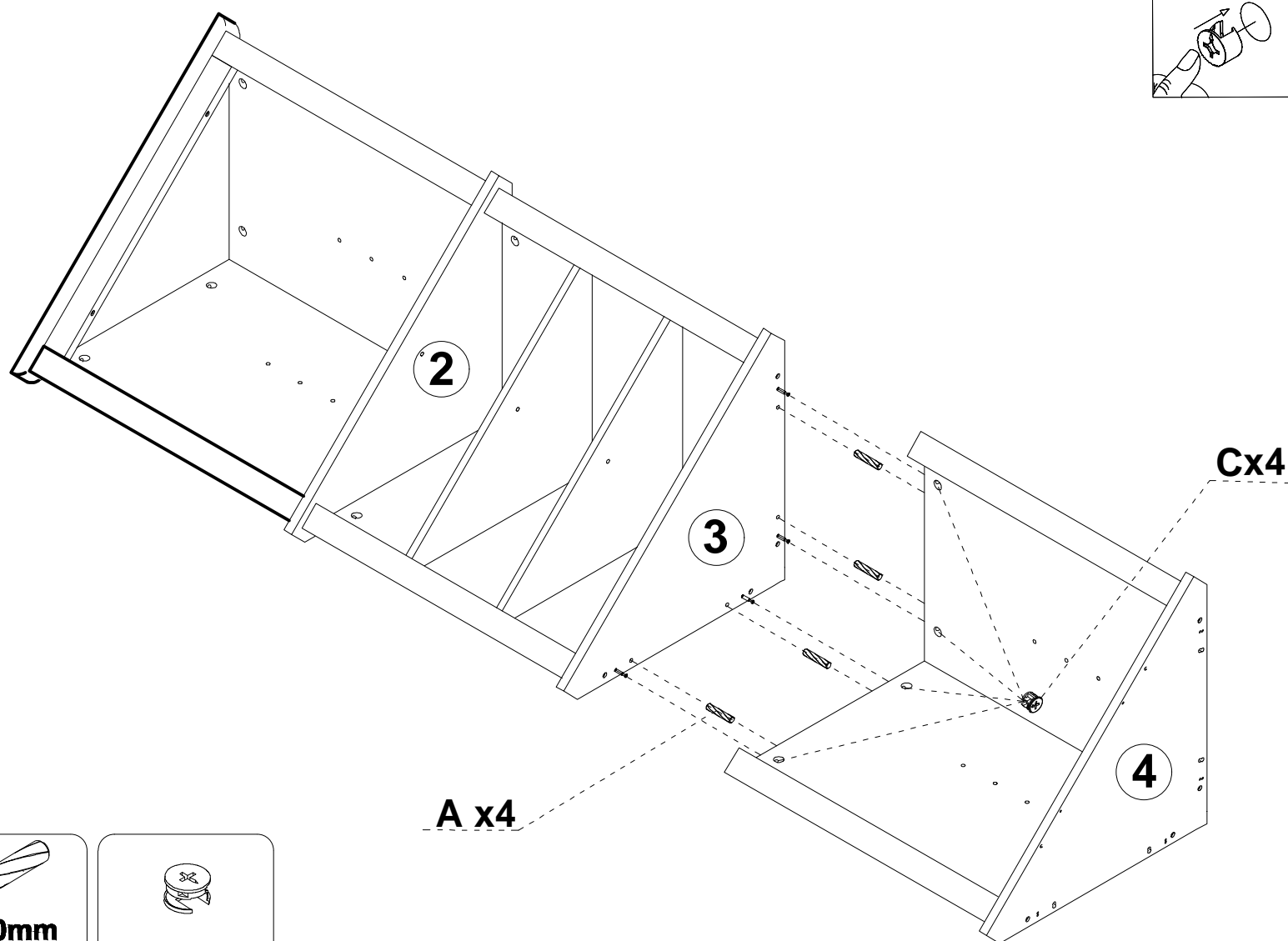
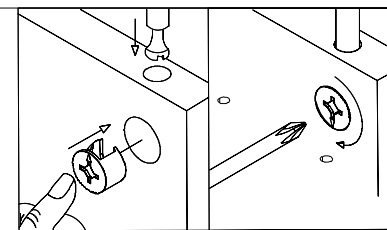


## step 14

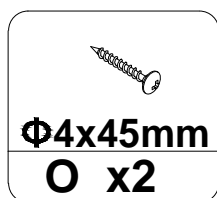
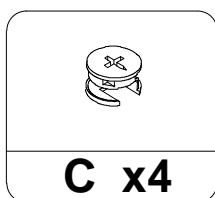
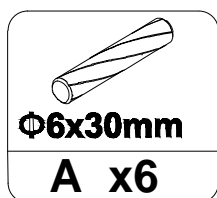
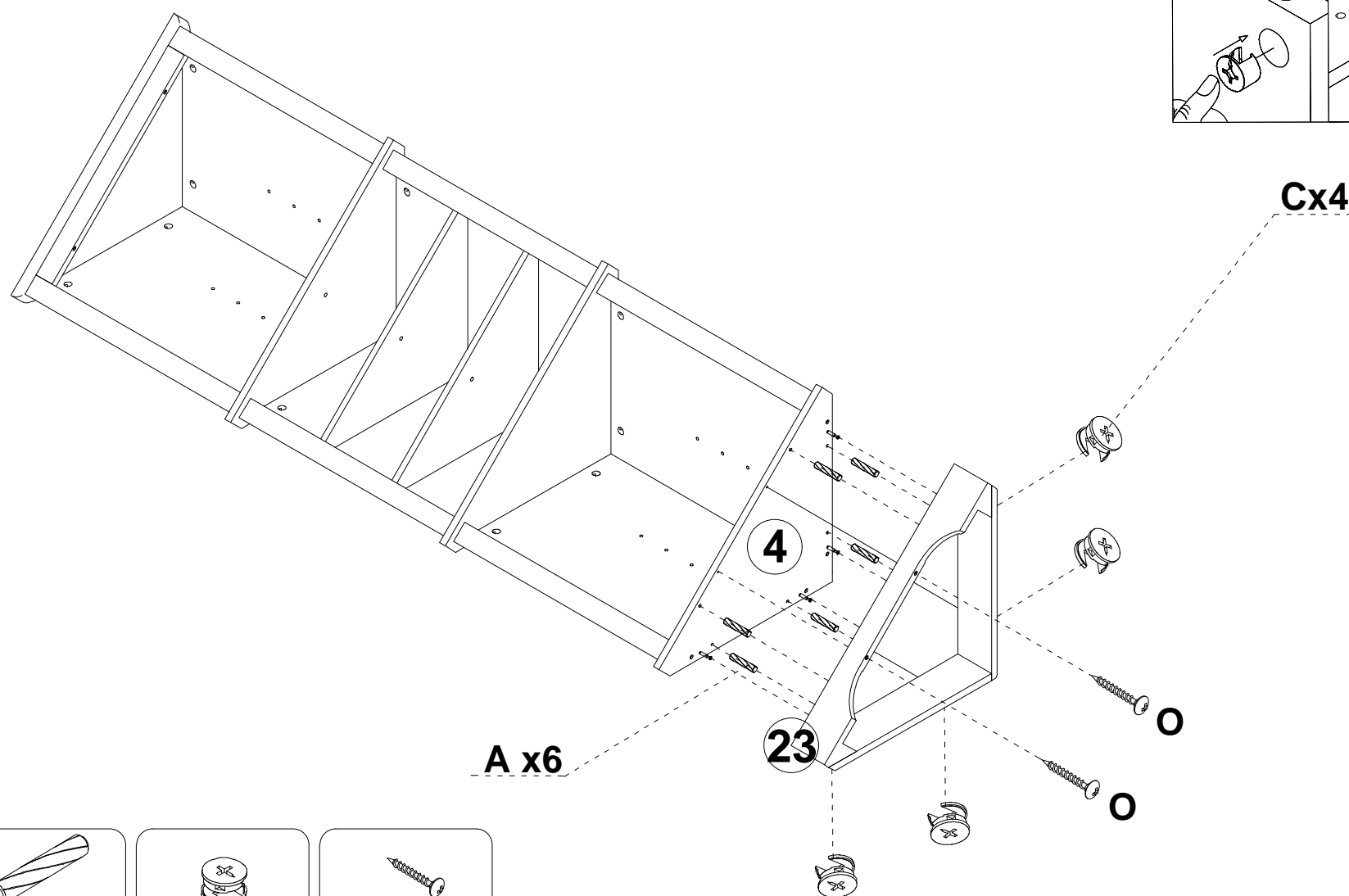
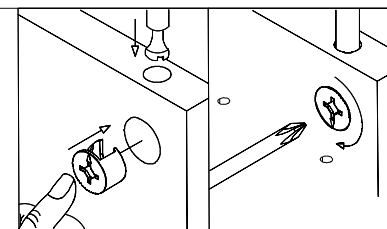




### step 15

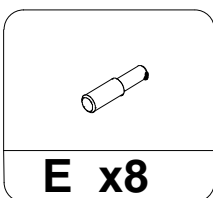
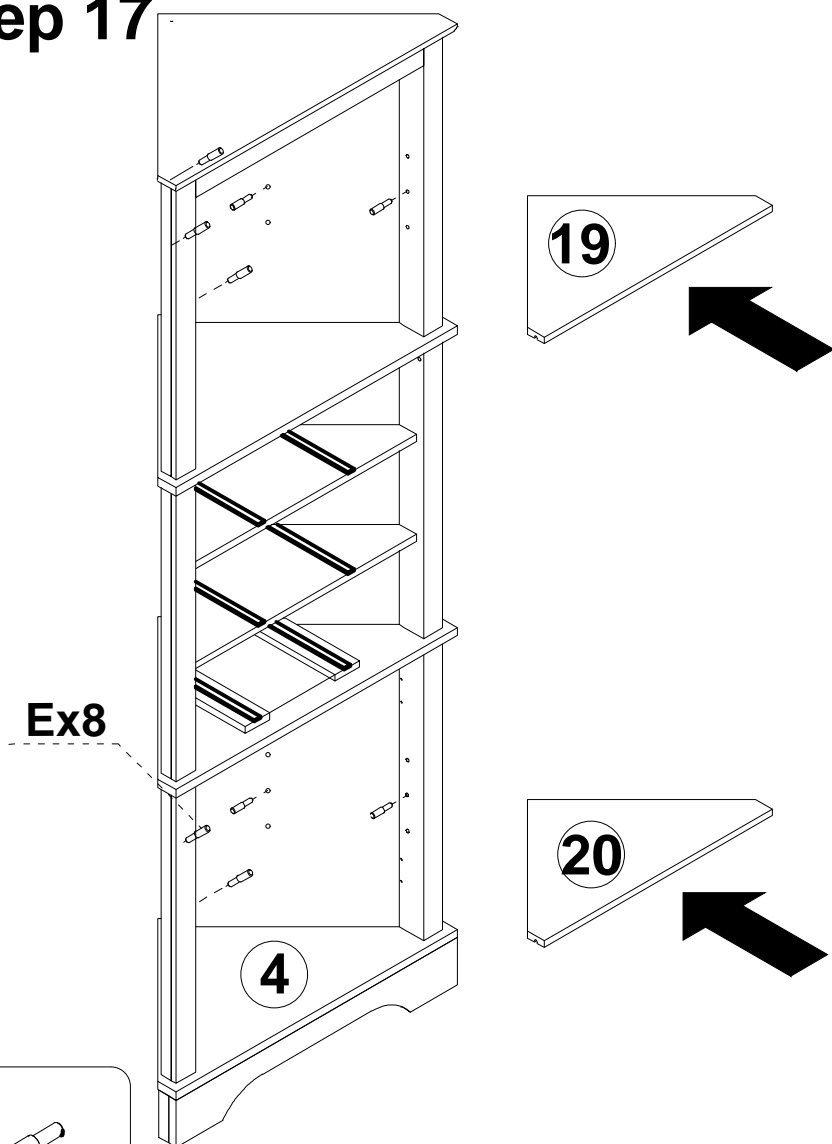


### step 16

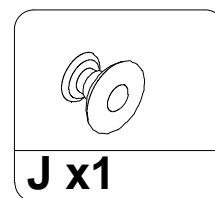
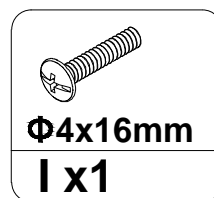
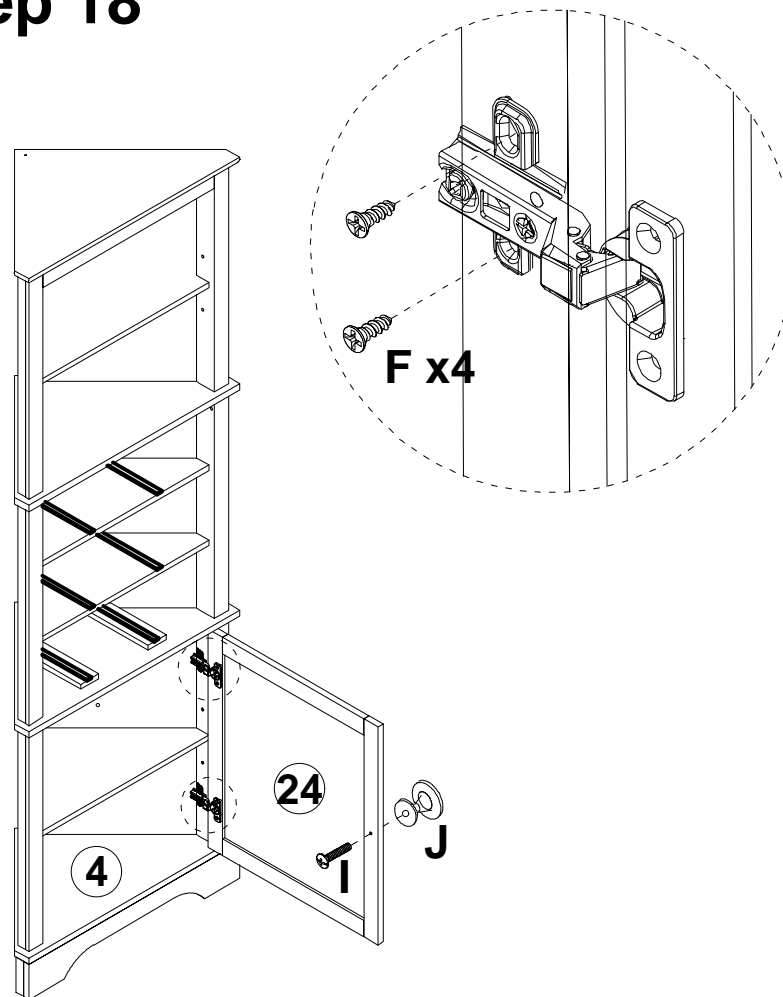




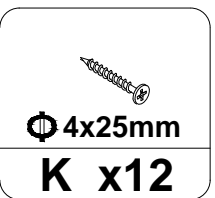
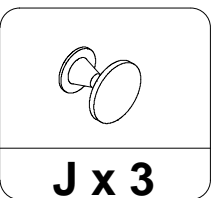
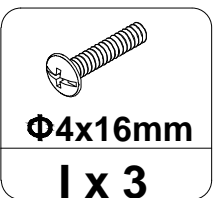
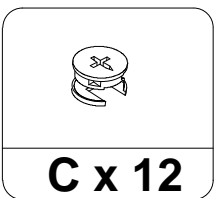
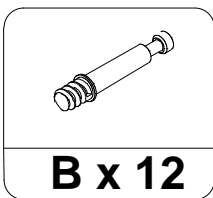
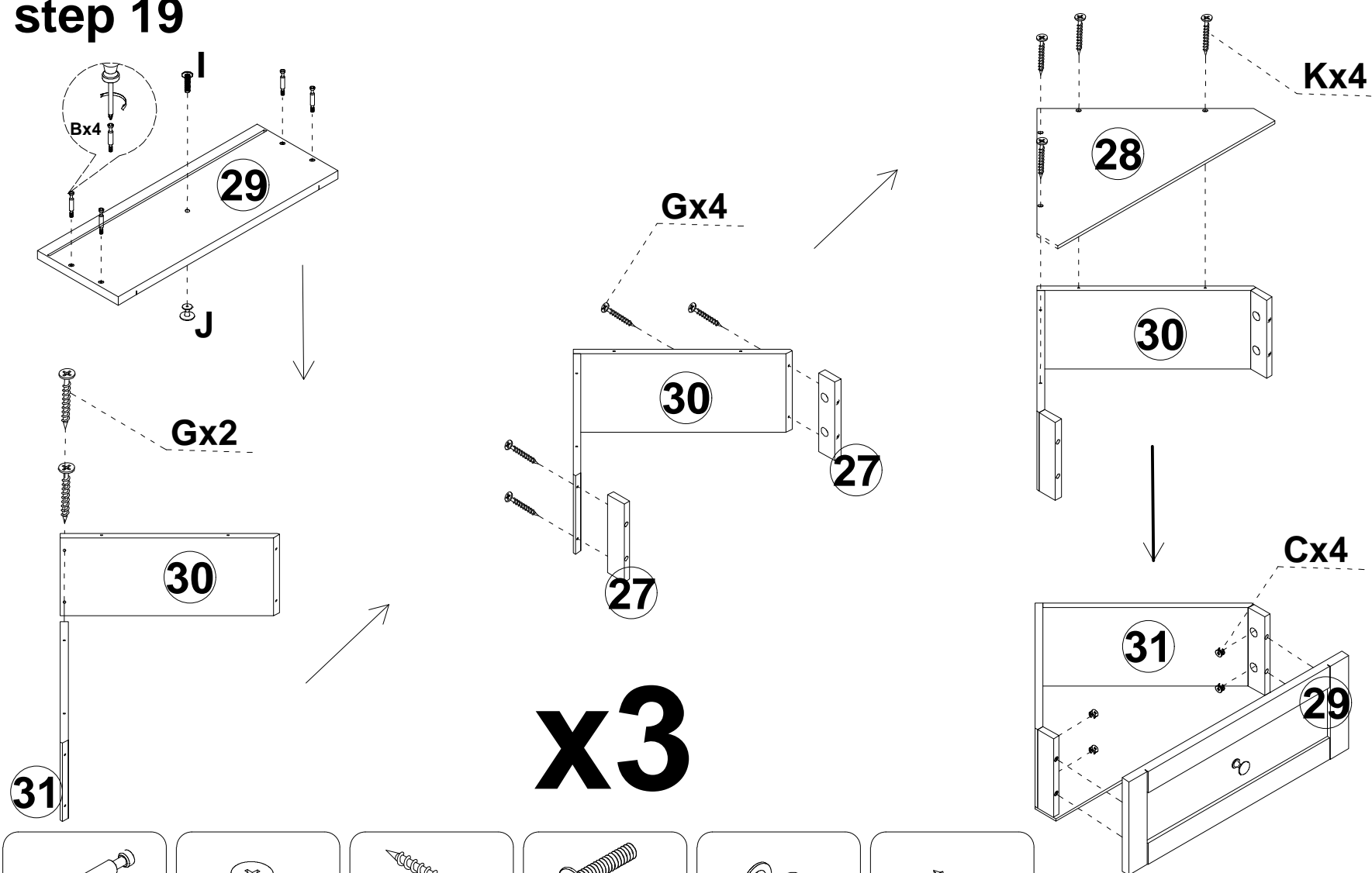
### step 17



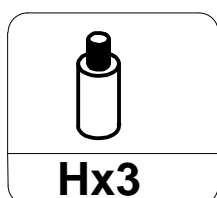
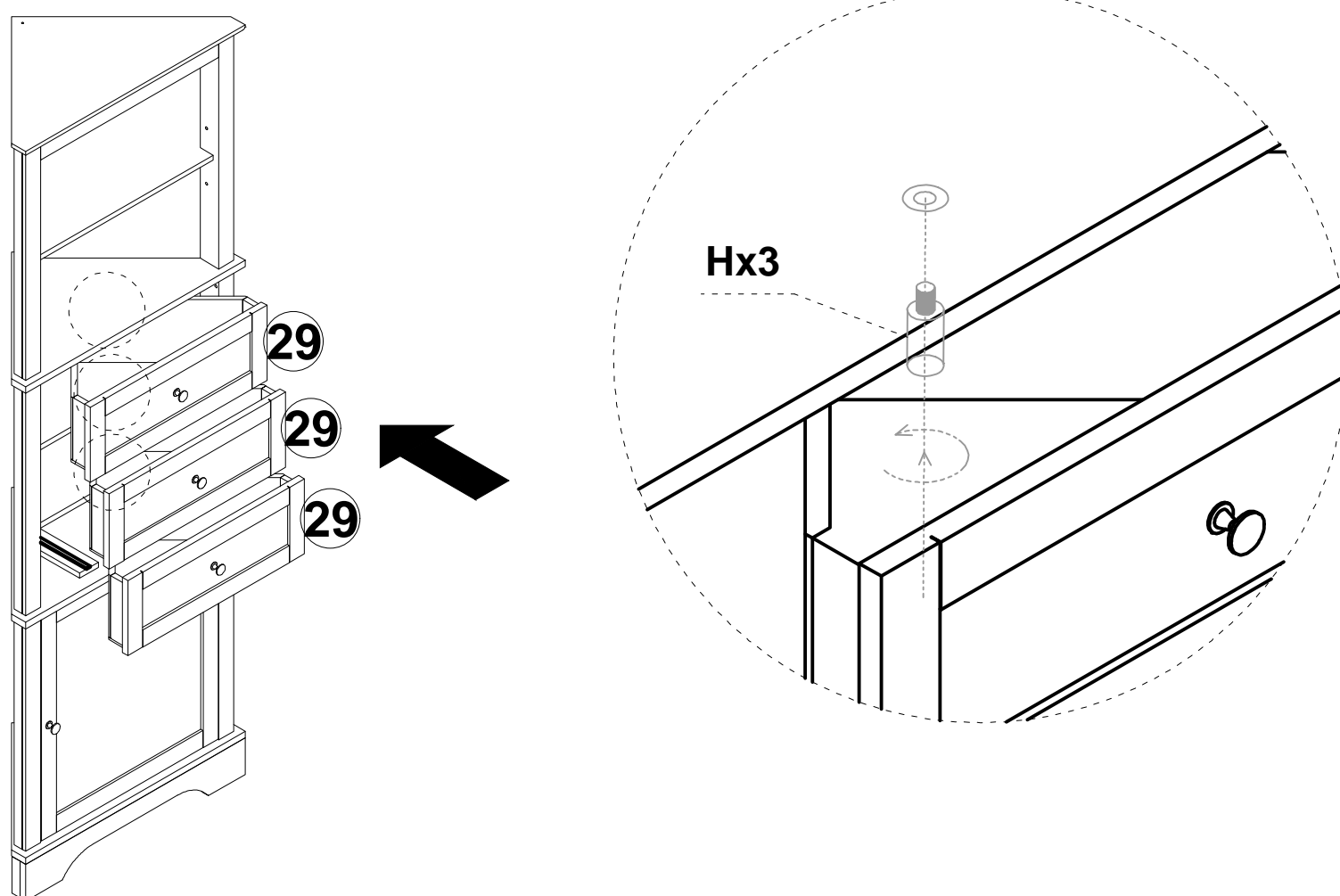
### step 18



### step 19



## step 20



## step 21

