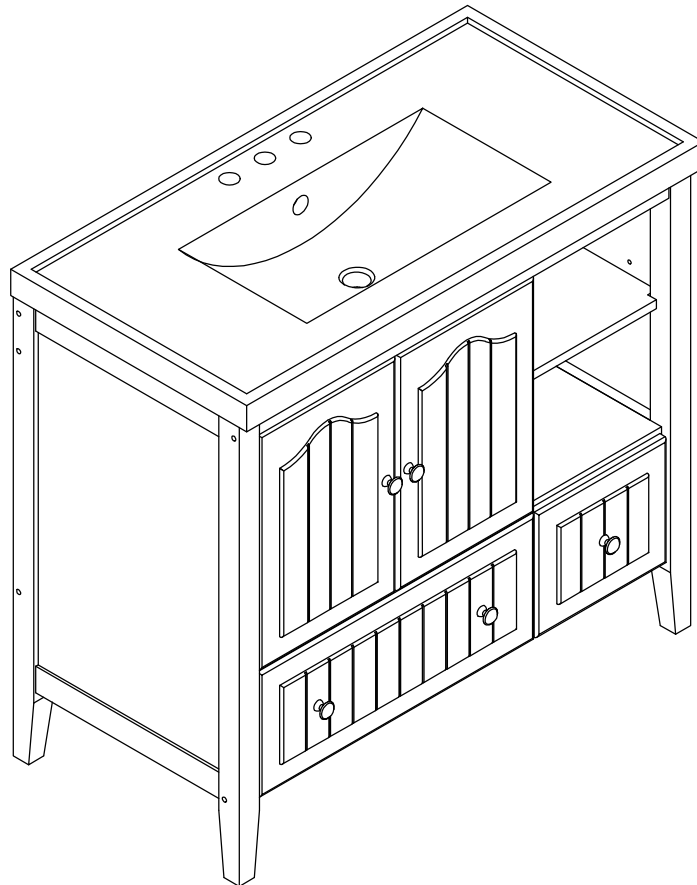


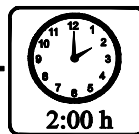
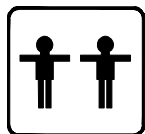
ASSEMBLY INSTRUCTIONS

36 INCH BATH VANITY-SINK

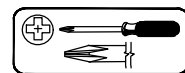


Thank you for purchasing this quality product. Be sure to check all packing material carefully for small parts which may have come loose inside the carton during shipment. Separate, identify and count all parts and hardware. Compare with the parts list to be sure all parts are present.
"DO NOT TIGHTEN SCREWS UNTIL COMPLETELY ASSEMBLED"

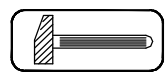
*** Use of power tool to assemble this product will invalidate any claim and damage this product making unsafe !!!**
*** Please assemble on a clean soft surface to avoid damage.**



Tools Required



(Not included)



(Not included)

IMPORTANT:

PLEASE READ INSTRUCTION BEFORE STARTING THE ASSEMBLY

Thank you for buying our products.

Please read the installation manual carefully before installation,

we need you to follow the instructions on the accessories and hardware

step by step assembly complete, our instructions are very detailed.

Products are environmentally friendly products,

Please rest assured that you do not soak in water, do not place very heavy items,

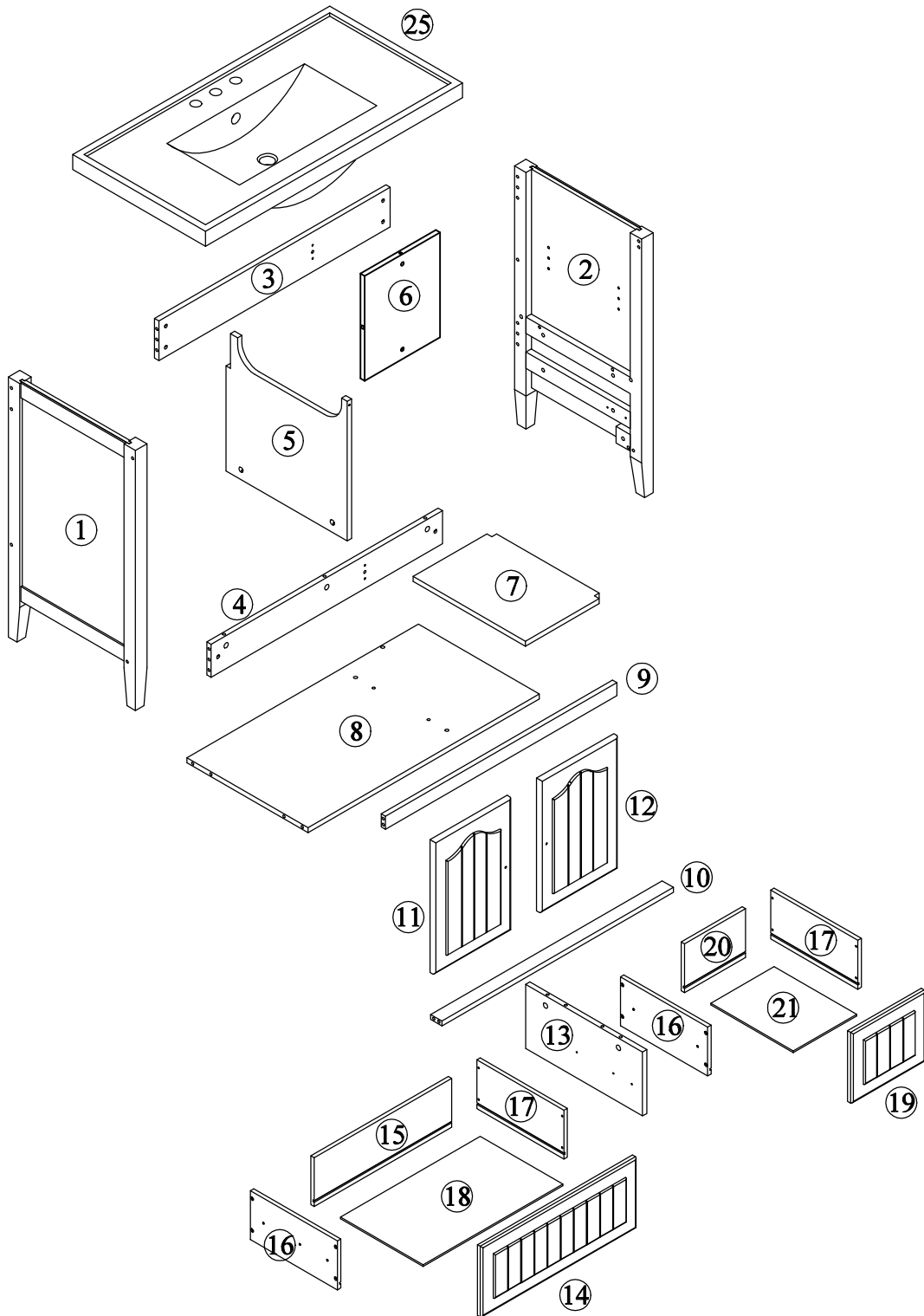
do not malicious push and pull,

if you have any problems in the process of assembly and use, please contact us.

Thank you again for your purchase of our products,

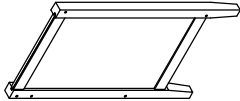
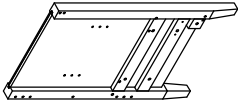
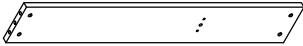
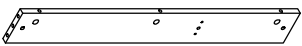
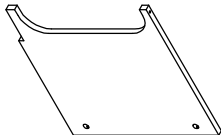
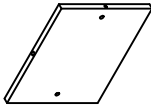

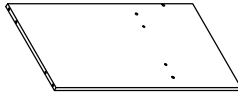
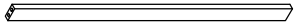

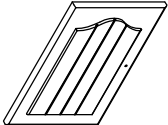
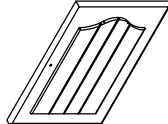
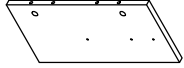
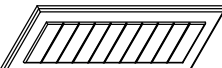
I wish you a happy life.

Detail View - 36 INCH BATH VANITY-SINK


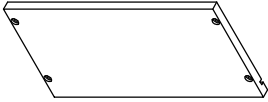
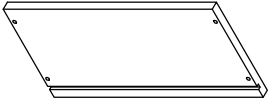

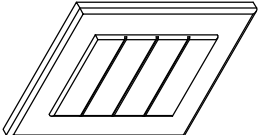
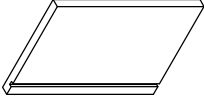
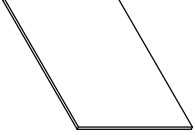


Identifying the Hardware-Identify the hardware using the illustrations below.

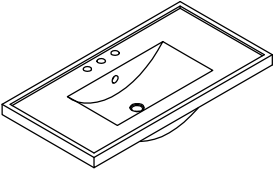
Part List—WF283481

| | |
|--|--|
| <p>1</p>  <p>Left side - 1pc</p> | <p>2</p>  <p>Right side - 1pc</p> |
| <p>3</p>  <p>Rear upper cross plate - 1pc</p> | <p>4</p>  <p>Rear middle cross plate - 1pc</p> |
| <p>5</p>  <p>Middle vertical plate - 1pc</p> | <p>6</p>  <p>Back panel - 1pc</p> |
| <p>7</p>  <p>Movable Shelf - 1pc</p> | <p>8</p>  <p>Bottom plate - 1pc</p> |
| <p>9</p>  <p>Horizontal board - 1pc</p> | <p>10</p>  <p>Horizontal board - 1pc</p> |
| <p>11</p>  <p>Cabinet door - 1pc</p> | <p>12</p>  <p>Cabinet door - 1pc</p> |
| <p>13</p>  <p>Bottom mid panel - 1pc</p> | <p>14</p>  <p>Drawer face panel - 1pc</p> |

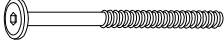

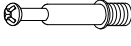




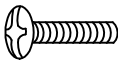

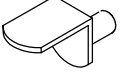
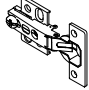
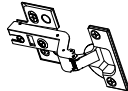
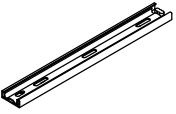
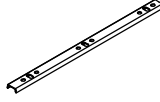
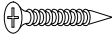


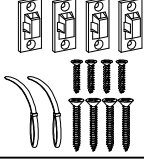
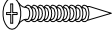
Part List—WF283481

| | |
|--|--|
| 15  Drawer back side panel - 1pc | 16  Drawer side panel - 2pcs |
| 17  Drawer side panel - 2pcs | 18  Drawer bottom panel - 1pc |
| 19  Drawer face panel - 1pc | 20  Drawer back side panel - 1pc |
| 21  Drawer bottom panel - 1pc | |



Part List—WF283482

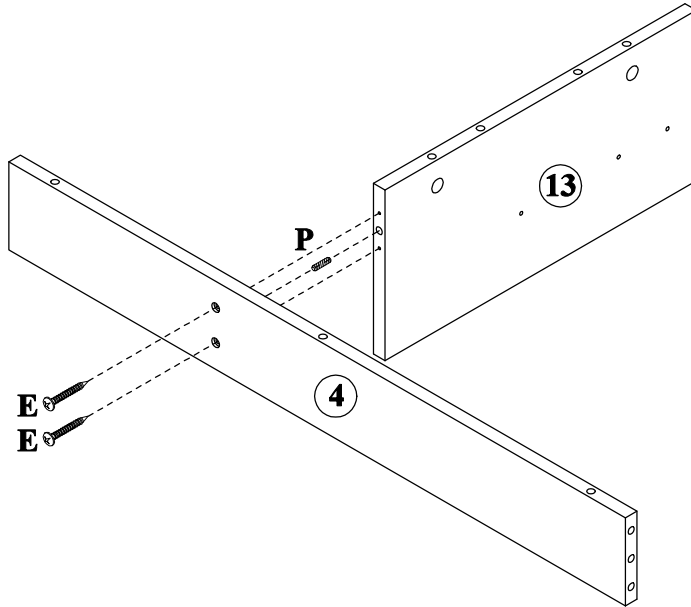
| |
|--|
| 25  Sink - 1pc |
|--|

Hardware List—WF283481


| | | |
|---|--|---|
| <p>A</p>  <p>ø13x1/4"x80mm</p> | <p>B</p>  <p>ø10x13mm</p> | <p>C</p>  <p>ø6x35mm</p> |
| <p>Hex-Head bolts(10pcs) Horizontal-Hole bolts(10pcs) Three in one bolts(21pcs)</p> | | |
| <p>D</p>  <p>ø14x9mm</p> | <p>E</p>  <p>ø8xø4x25mm</p> | <p>F</p>  <p>ø8xø4x30mm</p> |
| <p>Three in one lock(21pcs) Round head screw(6pcs) Round head screw(8pcs)</p> | | |
| <p>G</p>  | <p>H</p>  <p>ø5/32"x22mm</p> | <p>I</p>  <p>ø5/32"x28mm</p> |
| <p>Handle(5pcs) Handle screw(2pcs) Handle screw(3pcs)</p> | | |
| <p>J</p>  | <p>K</p>  | <p>L</p>  |
| <p>Laminate pad(4pcs) Damping hinge(2pcs) Damping hinge(2pcs)</p> | | |
| <p>M</p>  <p>ø300x35mm</p> | <p>N</p>  <p>ø298x18mm</p> | <p>O</p>  <p>ø6xø3.5x12mm</p> |
| <p>Slide rails (4pcs) Slide rails (4pcs) Flat head screw(28pcs)</p> | | |
| <p>P</p>  <p>ø8x30mm</p> | <p>Q</p>  <p>4mm</p> | <p>R</p>  |
| <p>Wood dowel(26pcs) Allen key(1pc) Anti fall hardware(1set)</p> | | |
| <p>S</p>  <p>ø6xø3.5x15mm</p> <p>Flat head screw(24pcs)</p> | | |

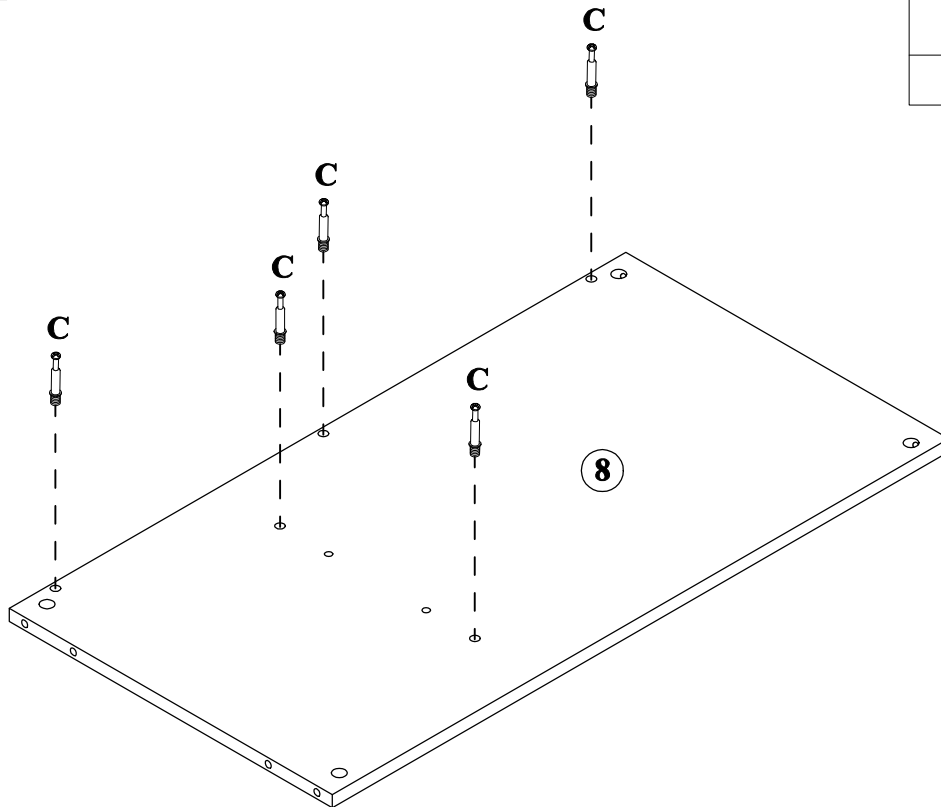
STEP: 1

| | |
|---|---|
| E | P |
|  |  |
| 2PCS | 1PC |


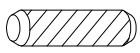


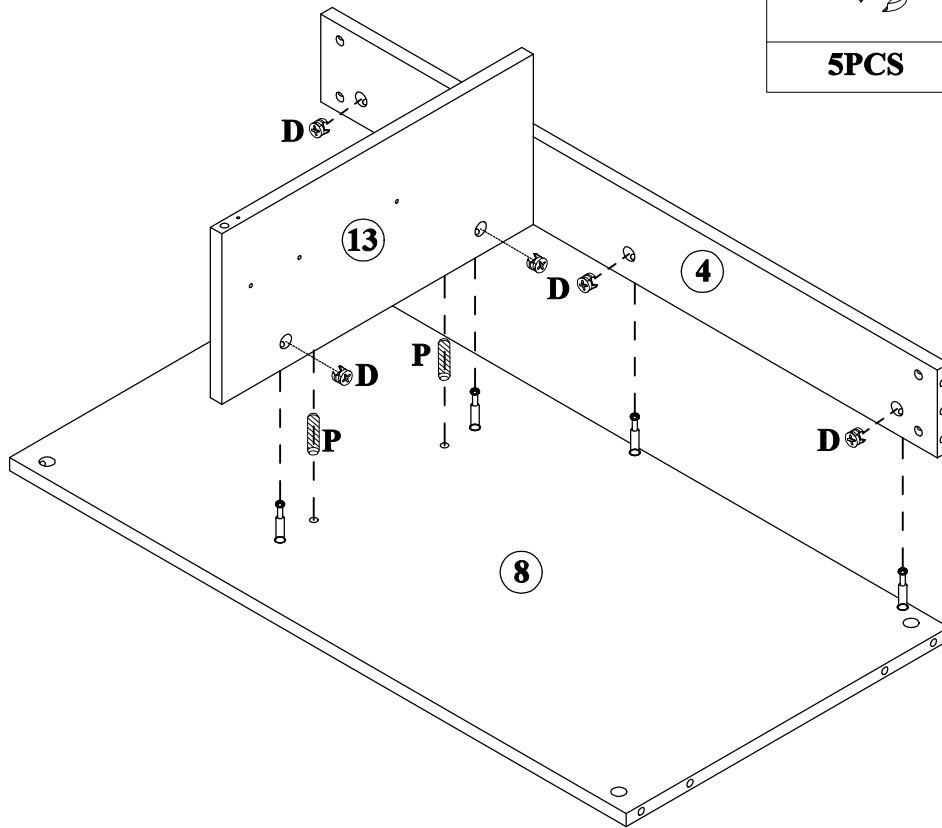
STEP: 2

| |
|---|
| C |
|  |
| 5PCS |





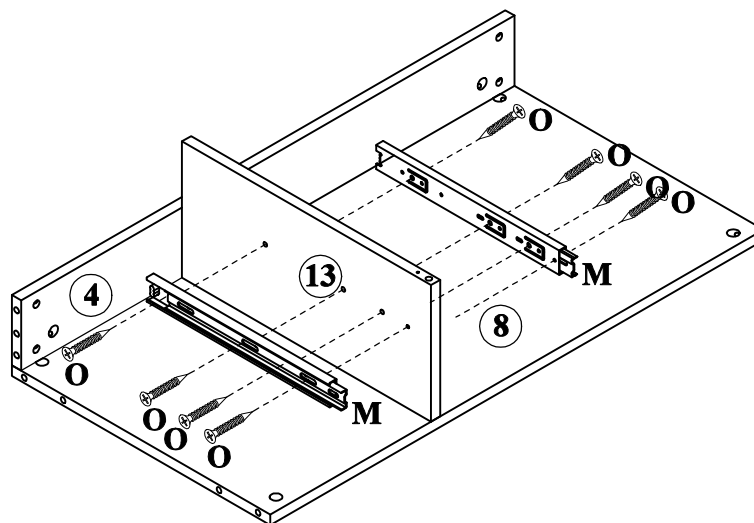
STEP: 3

| | | | |
|----------|---|----------|---|
| D |  | P |  |
| | 5PCS | | 2PCS |



STEP: 4

| | | | |
|----------|---|----------|---|
| M |  | O |  |
| | 2PCS | | 8PCS |

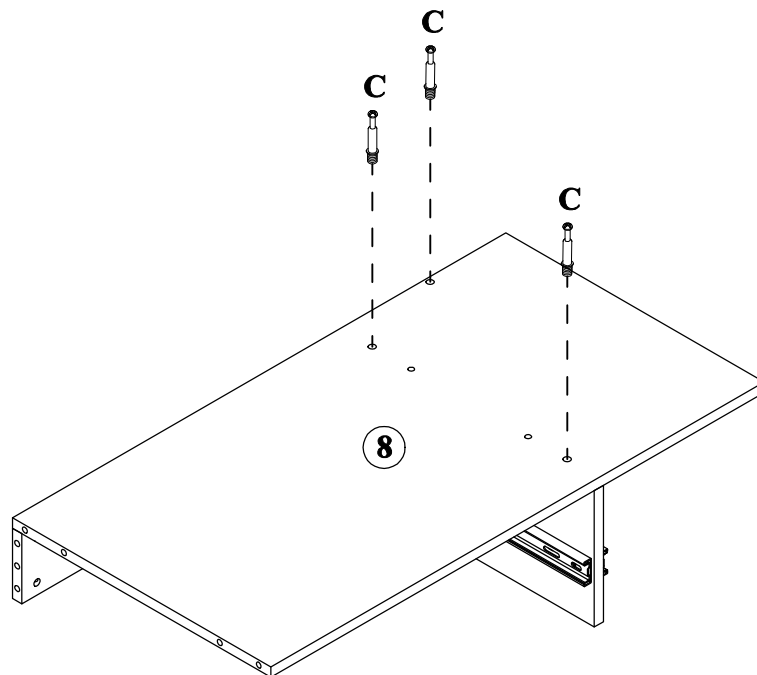


STEP: 5

C



3PCS



STEP: 6

D

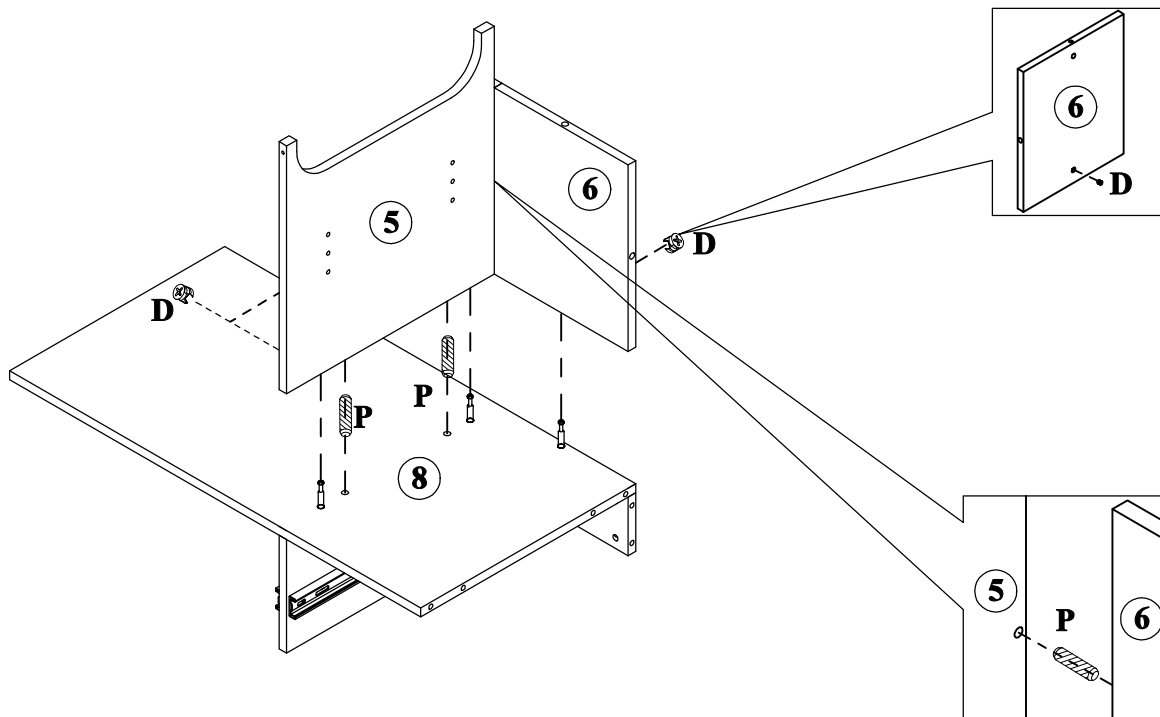


3PCS

P

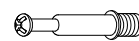


3PCS

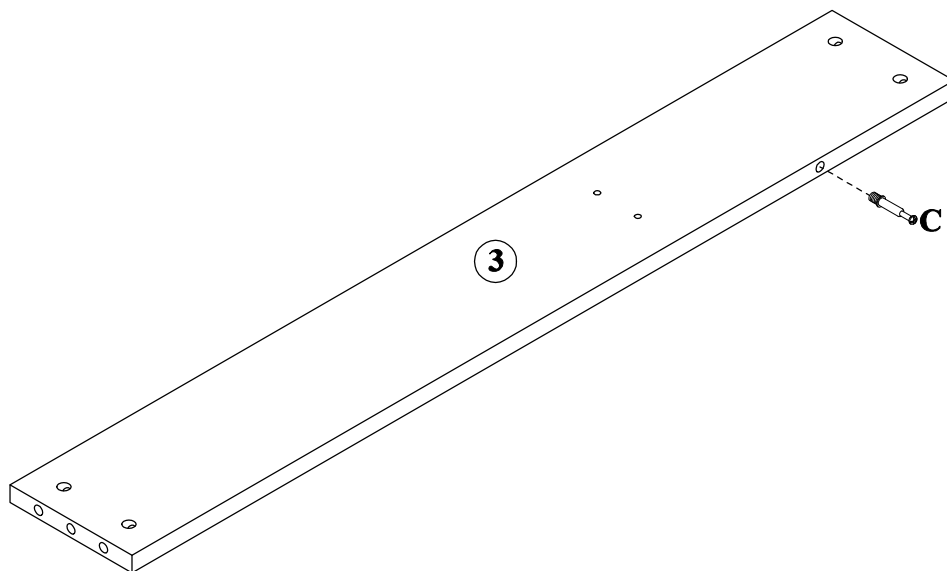


STEP: 7

C



1PCS



STEP: 8

D



1PCS

E

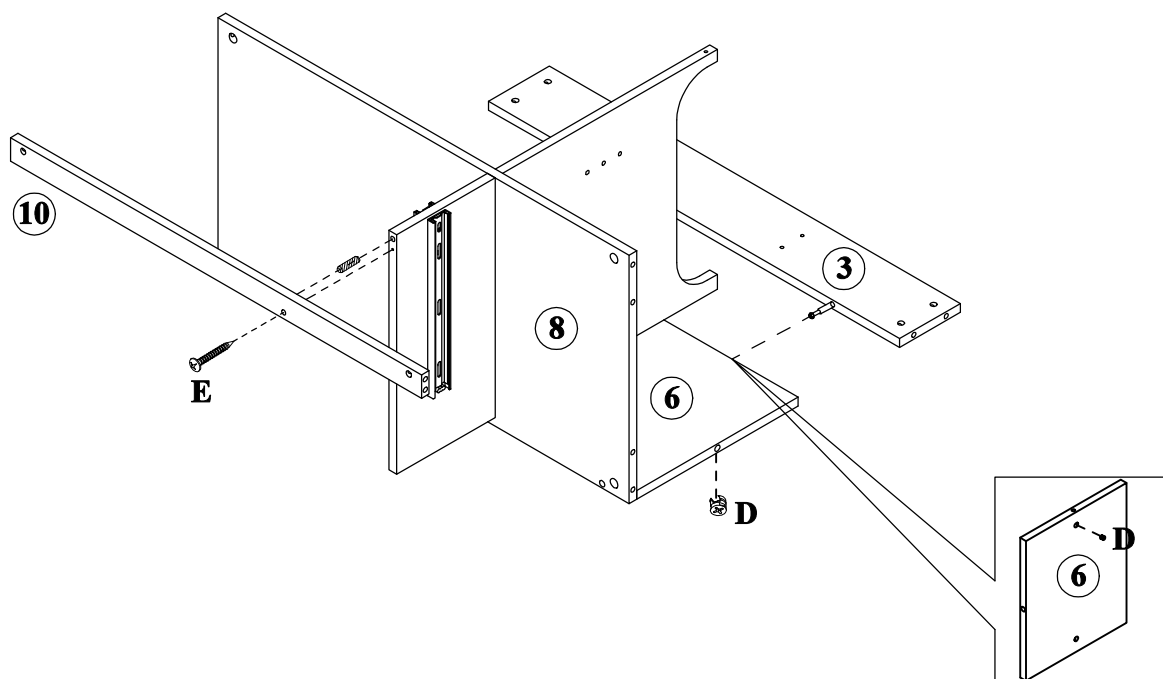


1PCS

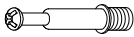


P

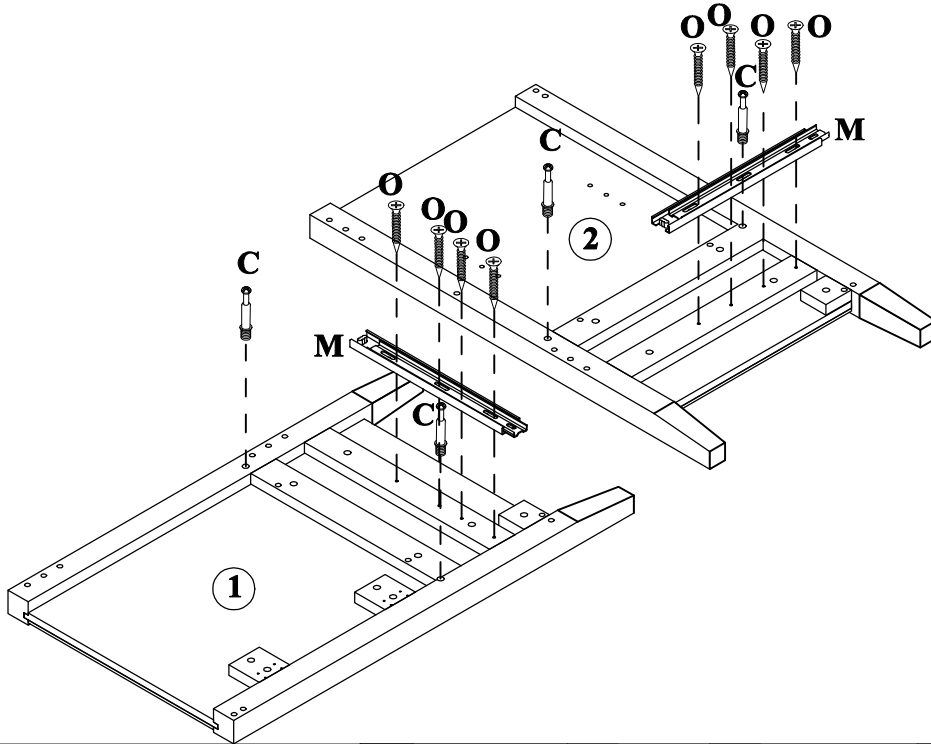


1PC







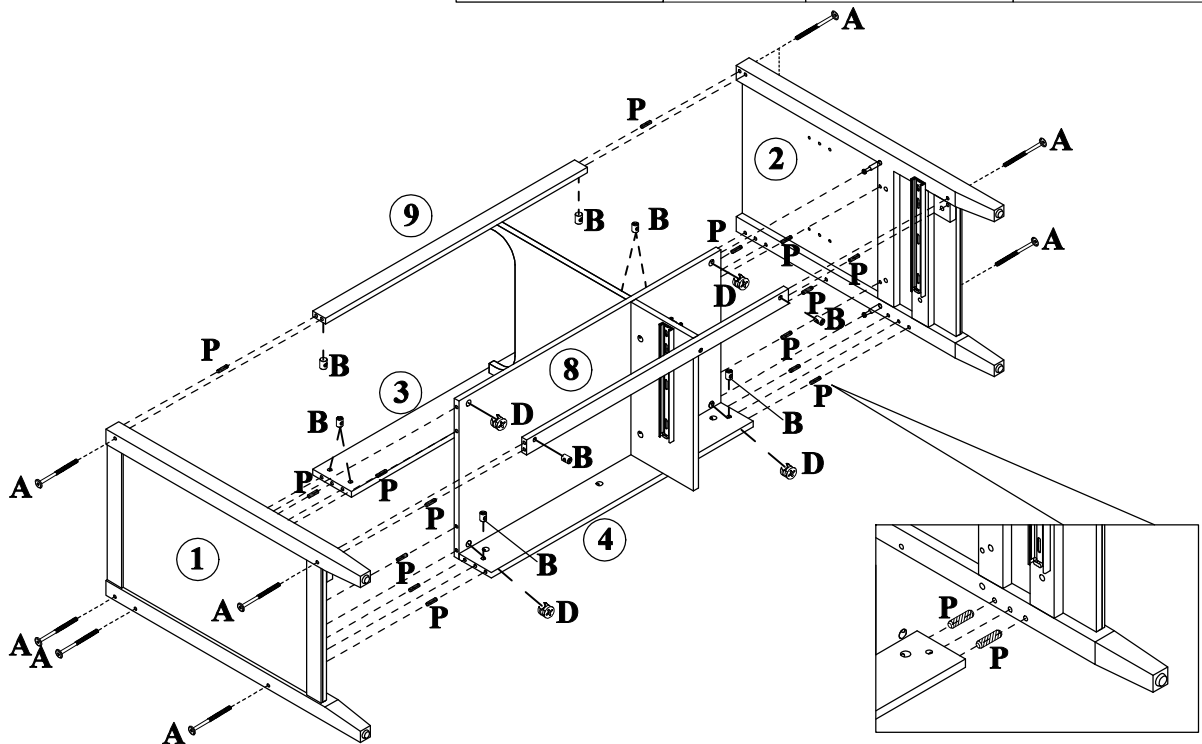
STEP: 9

| | | |
|---|---|---|
| C | M | O |
|  |  |  |
| 4PCS | 2PCS | 8PCS |




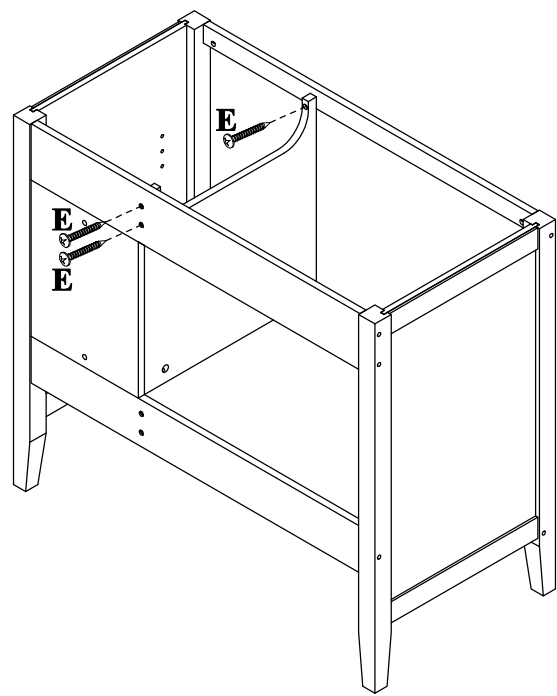
STEP: 10

| | | | |
|---|---|---|---|
| A | B | D | P |
|  |  |  |  |
| 10PCS | 10PCS | 4PCS | 15PCS |

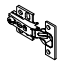




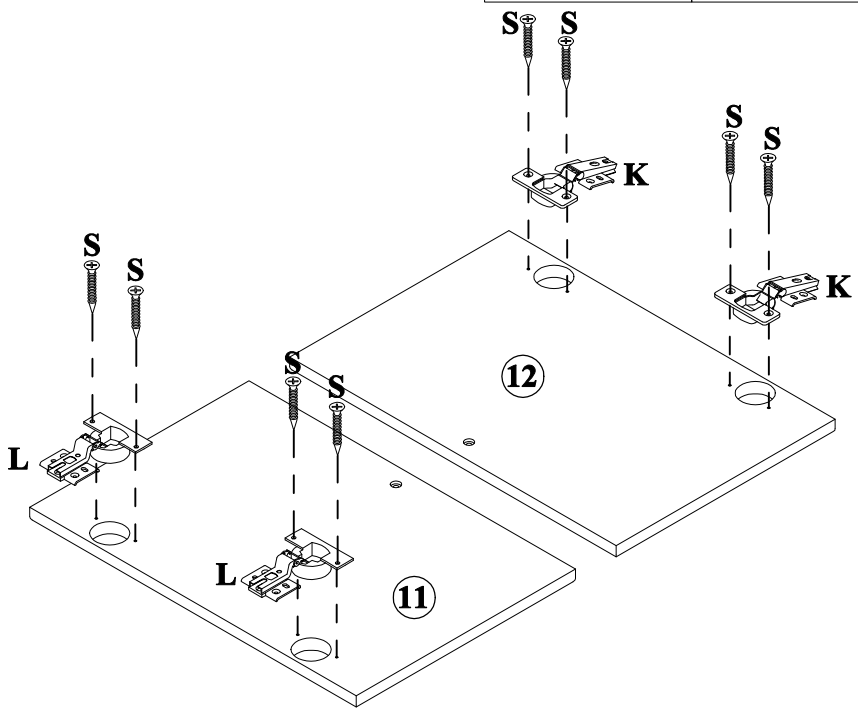
STEP: 11

| |
|---|
| E |
|  |
| 3PCS |



STEP: 12

| | | |
|---|---|---|
| K | L | S |
|  |  |  |
| 2PCS | 2PCS | 8PCS |

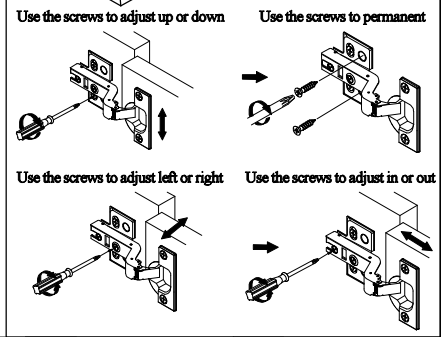
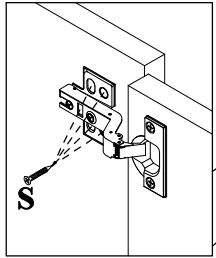
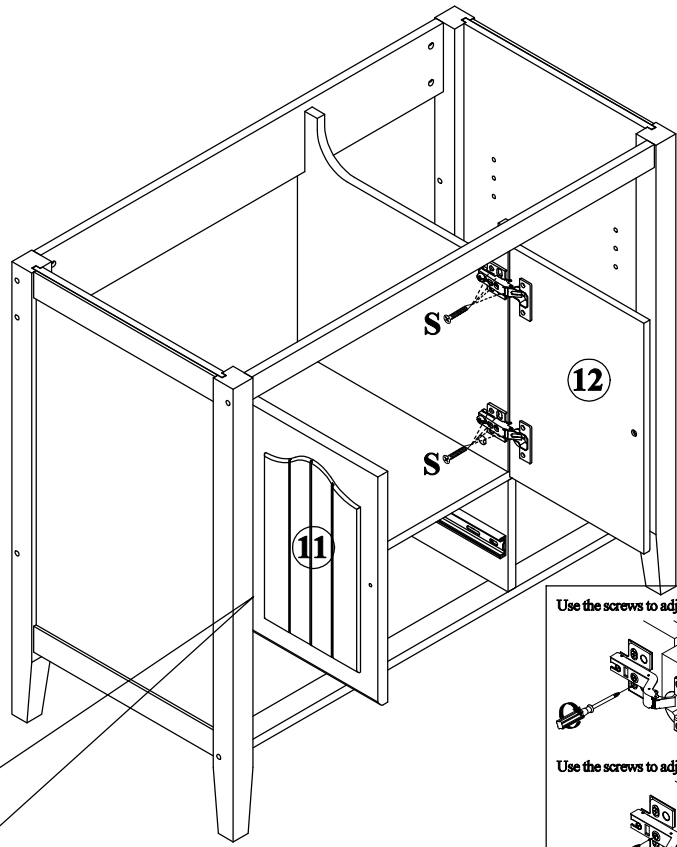


STEP: 13

S



16PCS



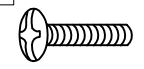
STEP: 14

G

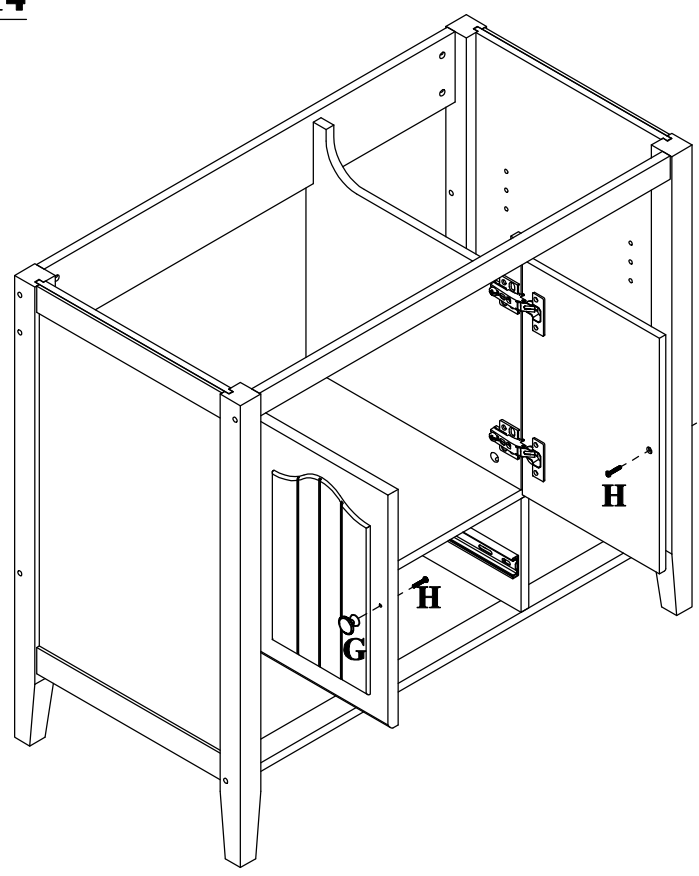


2PCS


H

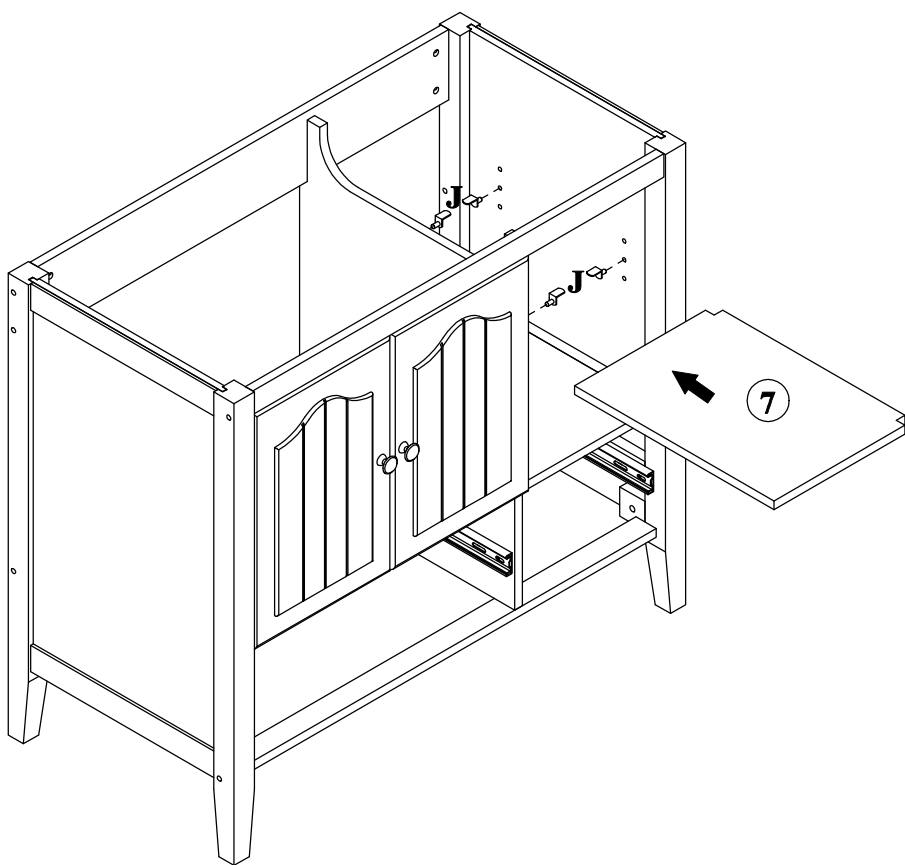


2PCS

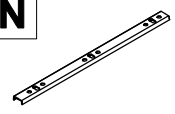



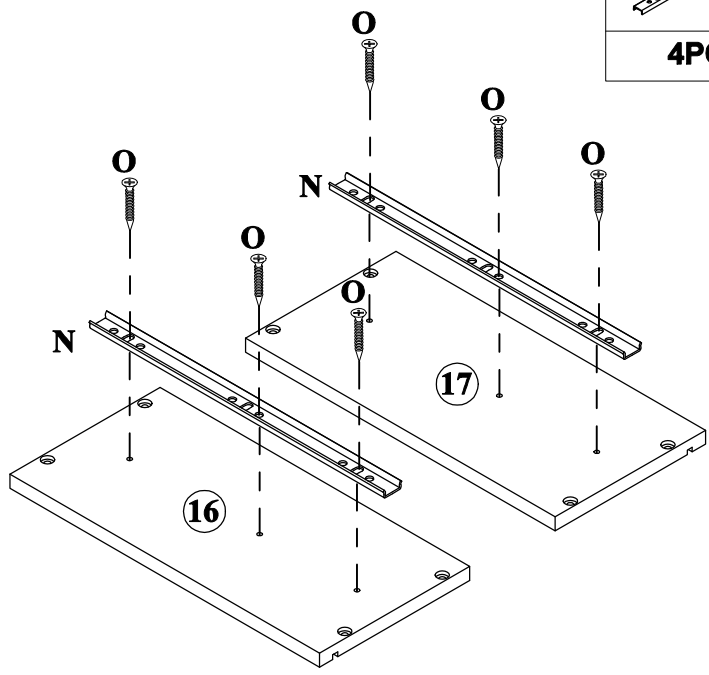
STEP: 15

| |
|---|
| J |
|  |
| 4PCS |



STEP: 16

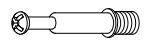
| | | | |
|-------------|---|--------------|---|
| N |  | O |  |
| 4PCS | | 12PCS | |



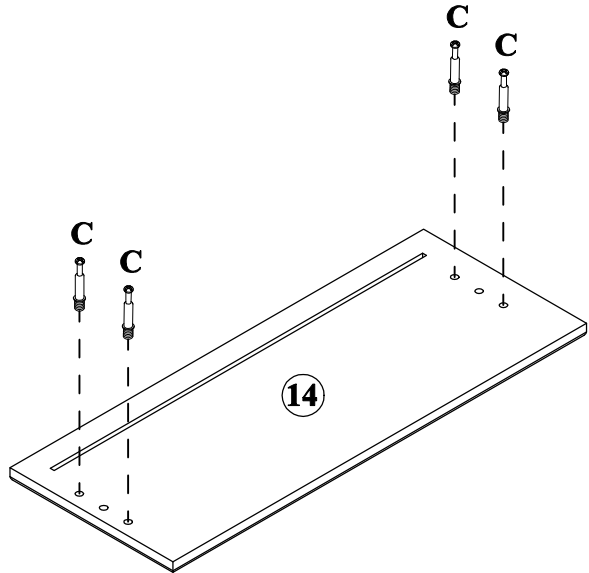
X 2

STEP: 17

C



4PCS



STEP: 18

D

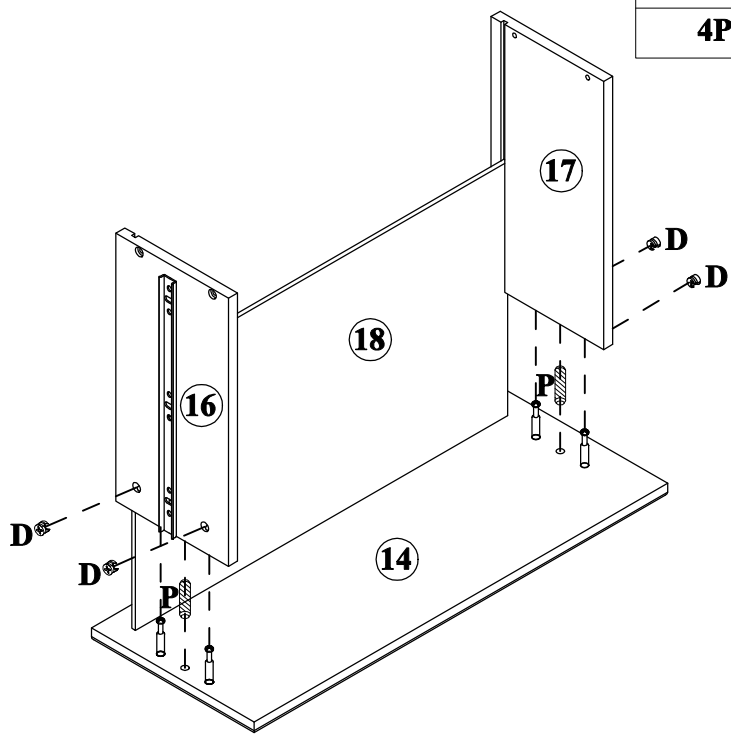


4PCS

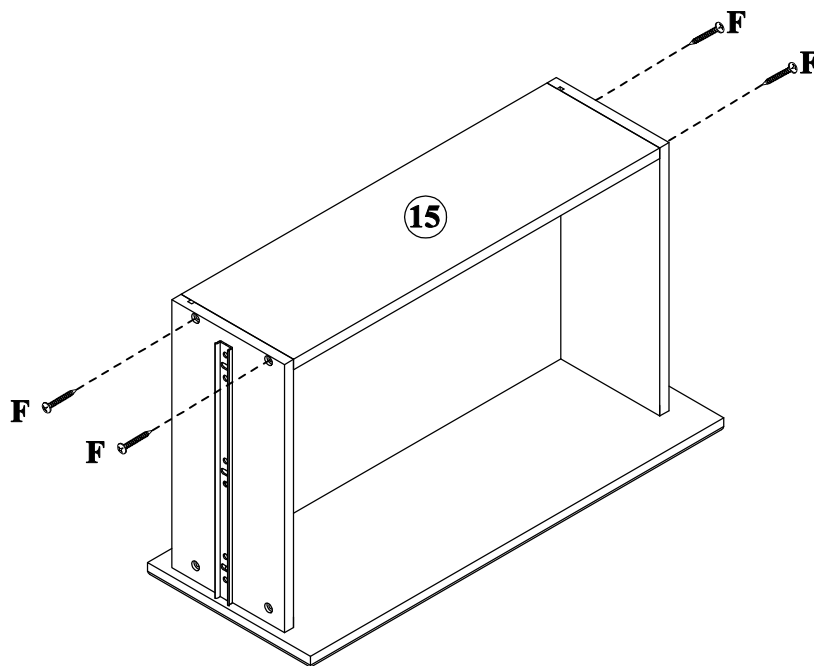
P



2PCS



STEP: 19

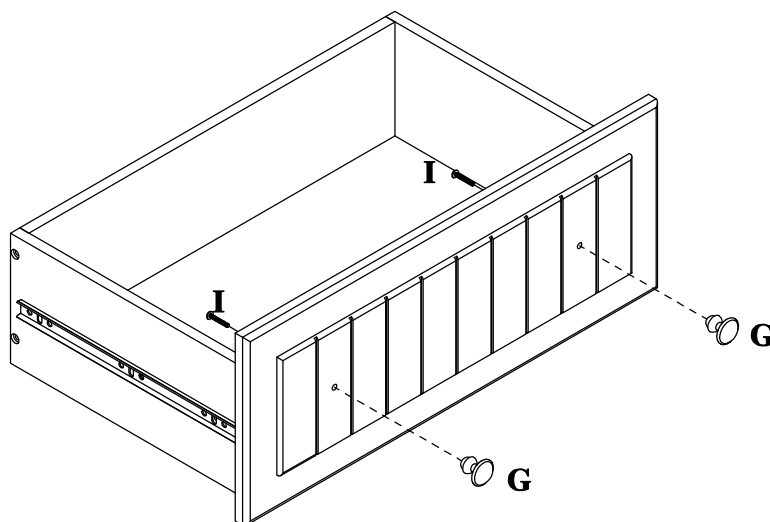


F



4PCS

STEP: 20



G



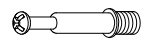
2PCS

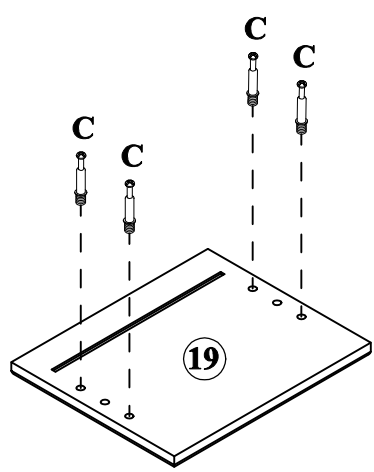
I





2PCS

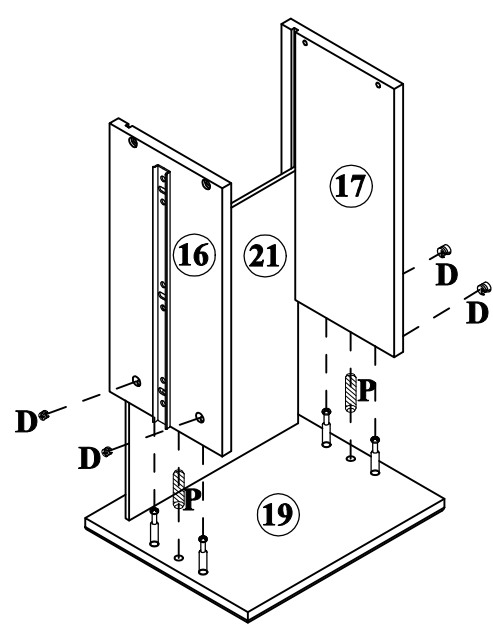
STEP: 21

| | |
|-------------|---|
| C |  |
| 4PCS | |



STEP: 22

| | | | |
|-------------|---|-------------|---|
| D |  | P |  |
| 4PCS | | 2PCS | |

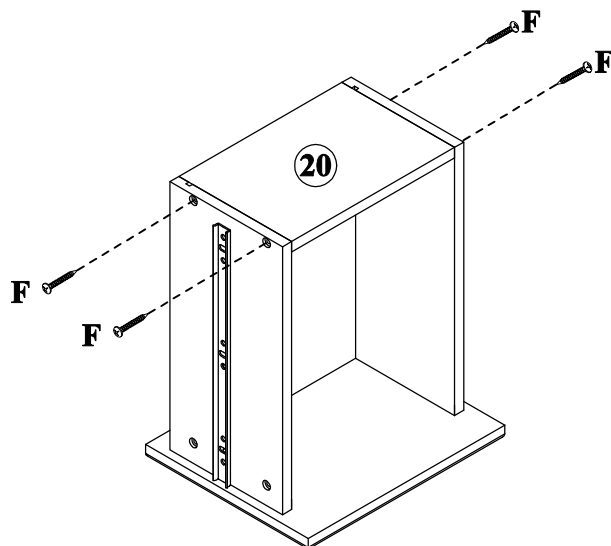


STEP: 23

F



4PCS



STEP: 24

G

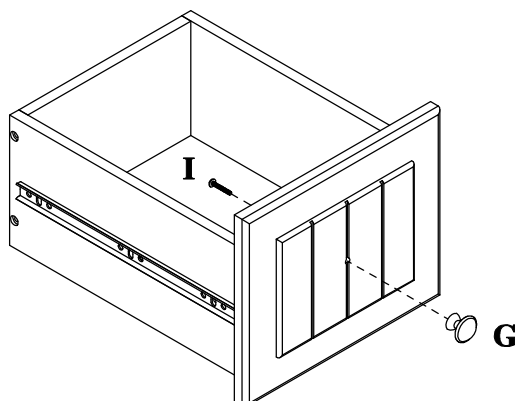


1PCS

I

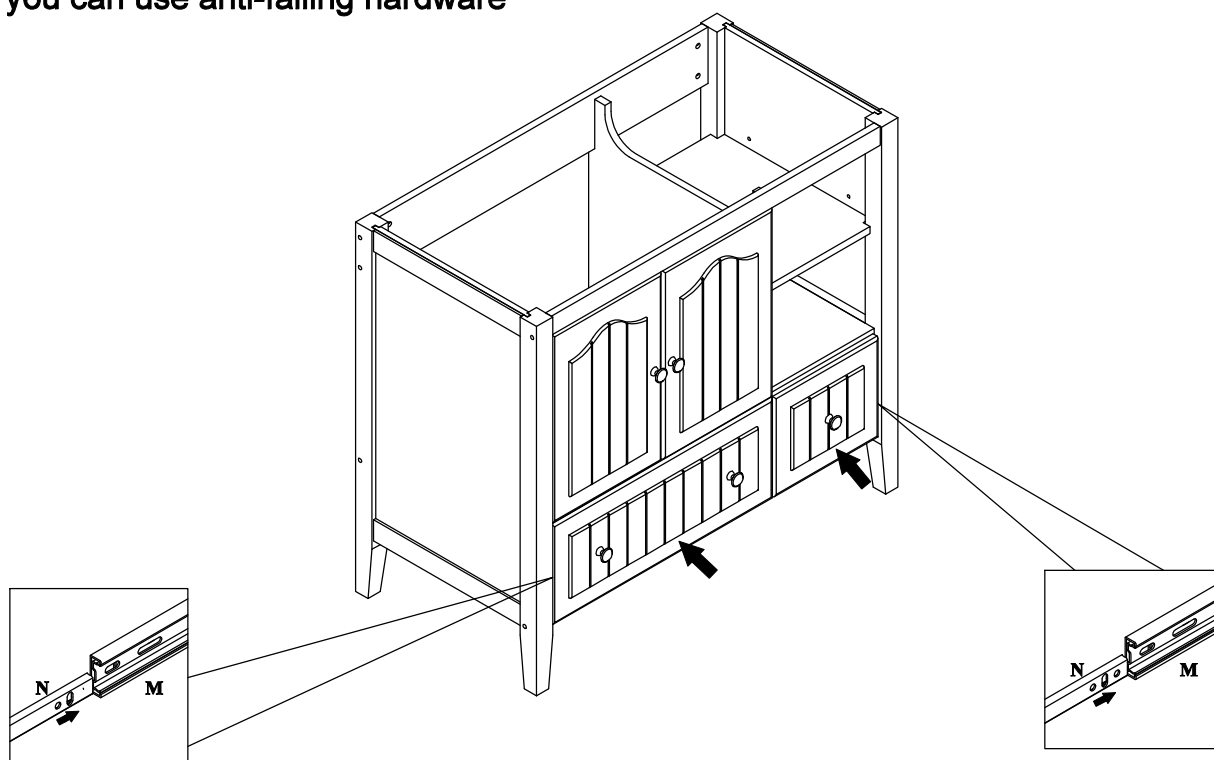


1PCS

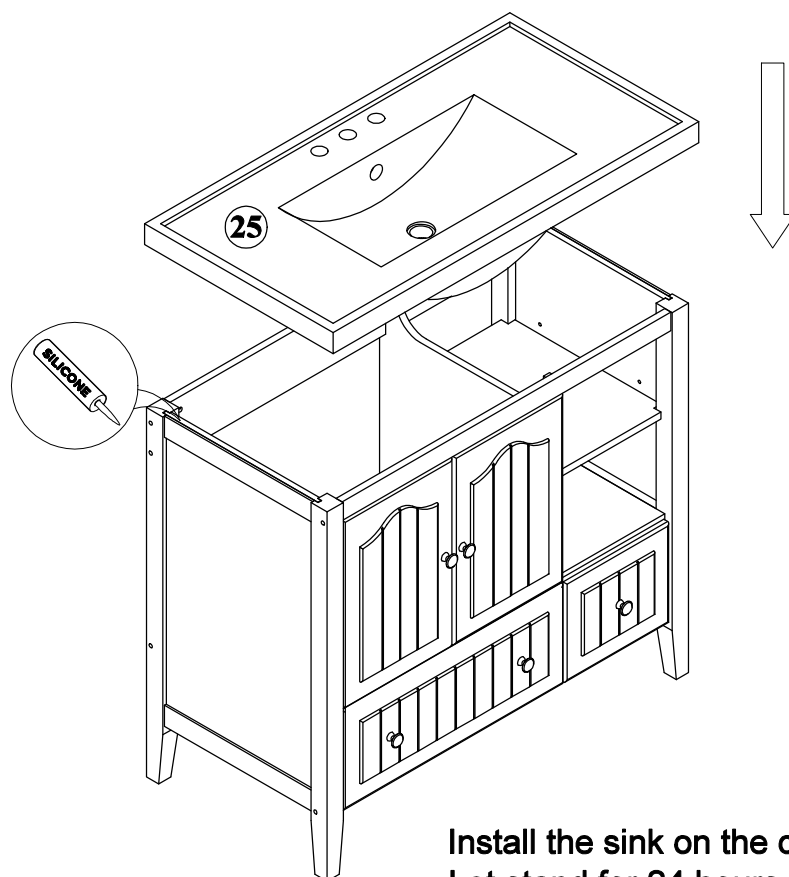


STEP: 25

The structure of the cabinet is quite stable, if you are not sure, you can use anti-falling hardware



STEP: 26



Install the sink on the cabinet with glue.
Let stand for 24 hours

STEP: 27

