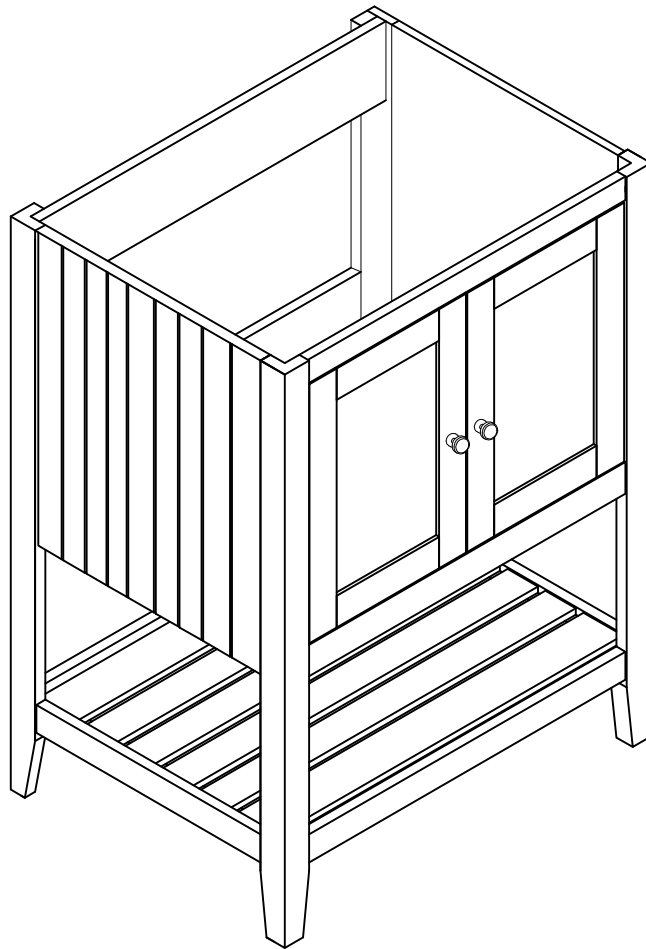
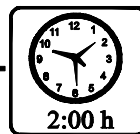
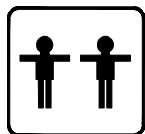
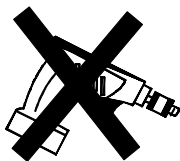


BATHROOM VANITY

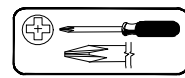
WF287735



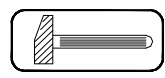
*** Use of power tool to assemble this product will invalidate any claim and damage this product making unsafe !!!**
*** Please assemble on a clean soft surface to avoid damage.**



Tools Required



(Not included)



(Not included)

IMPORTANT:

PLEASE READ INSTRUCTION BEFORE STARTING THE ASSEMBLY

Thank you for buying our products.

Please read the installation manual carefully before installation,

we need you to follow the instructions on the accessories and hardware

step by step assembly complete, our instructions are very detailed.

Products are environmentally friendly products,

Please rest assured that you do not soak in water, do not place very heavy items,

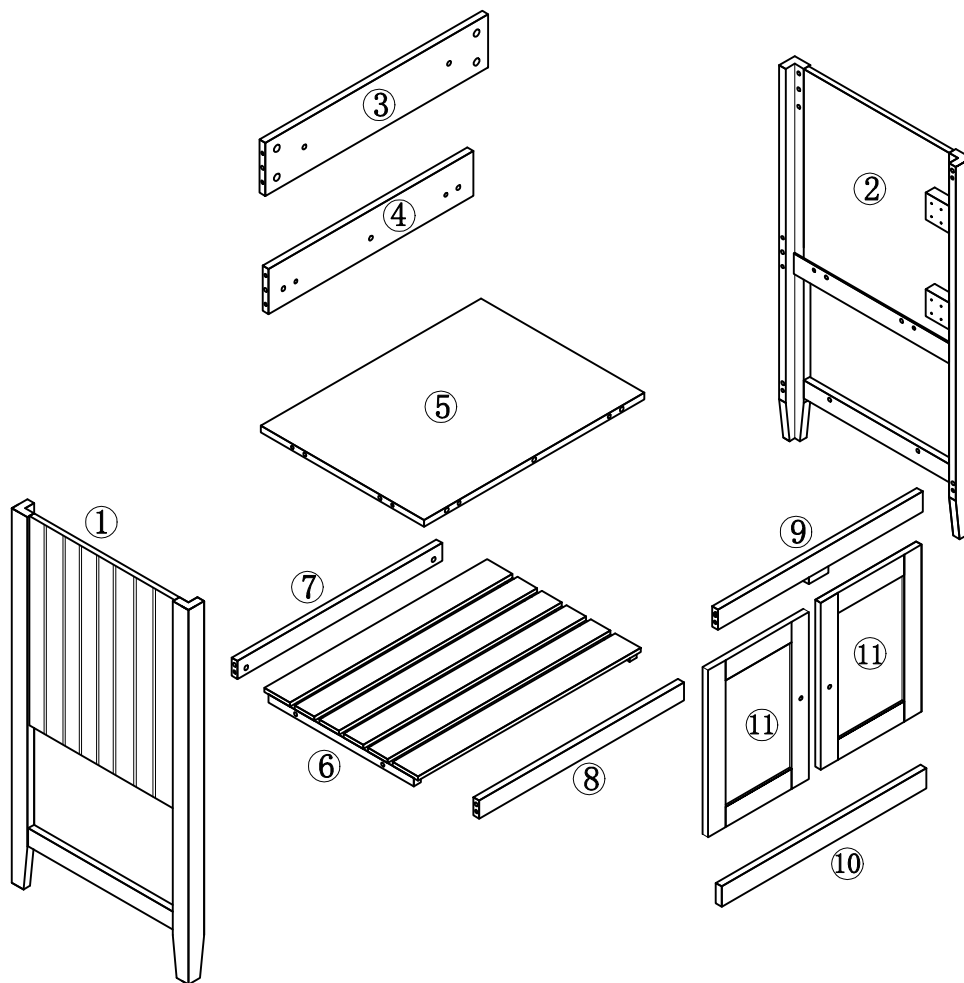
do not malicious push and pull,

if you have any problems in the process of assembly and use, please contact us.

Thank you again for your purchase of our products,

I wish you a happy life.

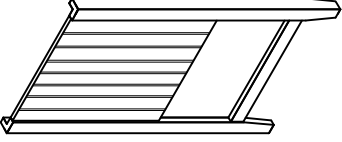
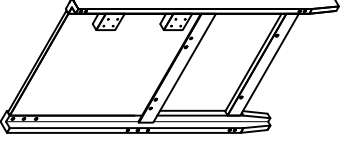
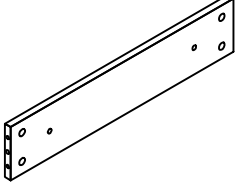
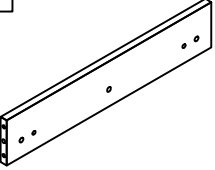
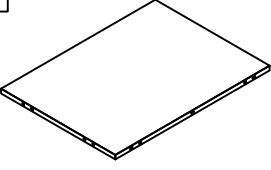
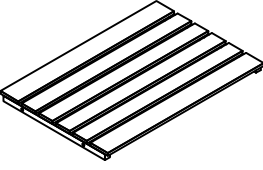
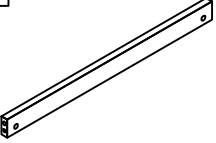
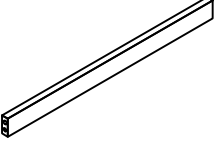
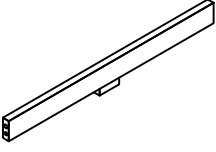
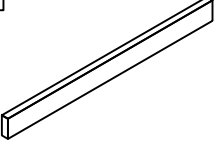
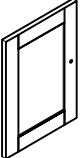
Detail View - BATHROOM VANITY




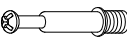

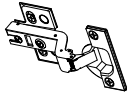



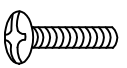
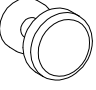
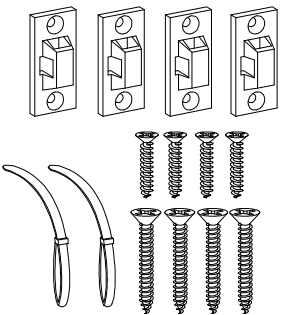
Identifying the Hardware-Identify the hardware using the illustrations below.

Part List

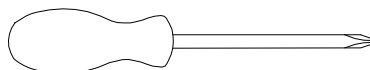
WF287735

<p>1</p>  <p>Left side box - 1pc</p>	<p>2</p>  <p>Right side box - 1pc</p>	<p>3</p>  <p>Rear upper cross plate - 1pc</p>
<p>4</p>  <p>Rear middle cross plate - 1pc</p>	<p>5</p>  <p>Laminate - 1pc</p>	<p>6</p>  <p>Tray - 1pc</p>
<p>7</p>  <p>Rear lower cross plate - 1pc</p>	<p>8</p>  <p>Front lower cross plate - 1pc</p>	<p>9</p>  <p>Front upper cross plate - 1pc</p>
<p>10</p>  <p>Front middle cross plate - 1pc</p>	<p>11</p>  <p>cabinet door - 2pc</p>	

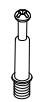
Hardware List—WF287735

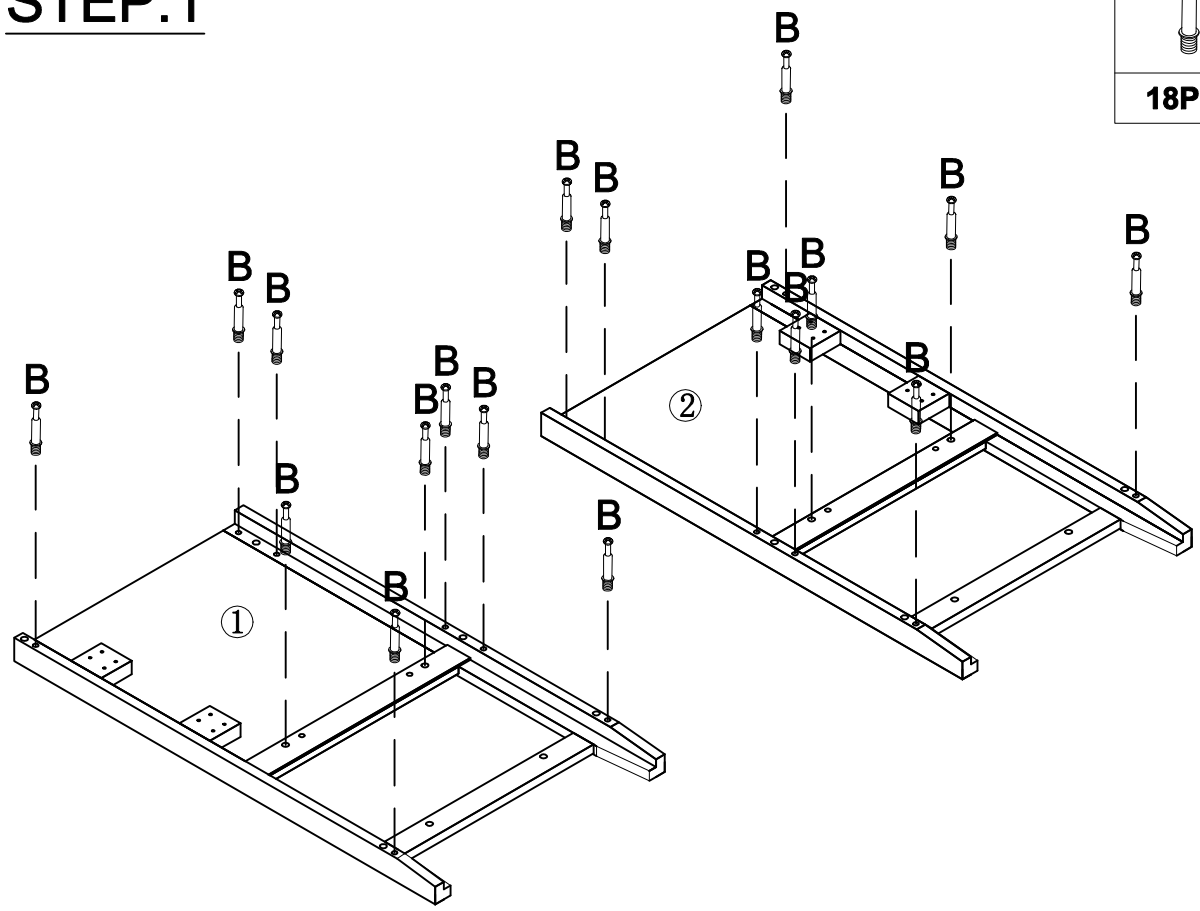
A  $\varnothing 12 \times 1/4" \times 28 \text{mm}$ Hex-Head bolts(4pcs)	B  $\varnothing 6 \times 35 \text{mm}$ Three in one bolts(24pcs)	C  $\varnothing 14.5 \times 12 \text{mm}$ Three in one lock(24pcs)
D  Damping hinge(4pcs)	E  $\varnothing 7 \times \varnothing 3.5 \times 15 \text{mm}$ Flat head screw(24pcs)	F  4mm Allen key(1pcs)
G  $\varnothing 8 \times 30 \text{mm}$ Wood dowel(18pcs)	H  $\varnothing 5/32" \times 20 \text{mm}$ Handle screw(2pcs)	J  $\varnothing 10 \times \varnothing 30 \text{mm}$ handle(2pcs)
K  Anti fall hardware(1set)		

ASSEMBLY TOOLS REQUIRED (NOT INCLUDED)




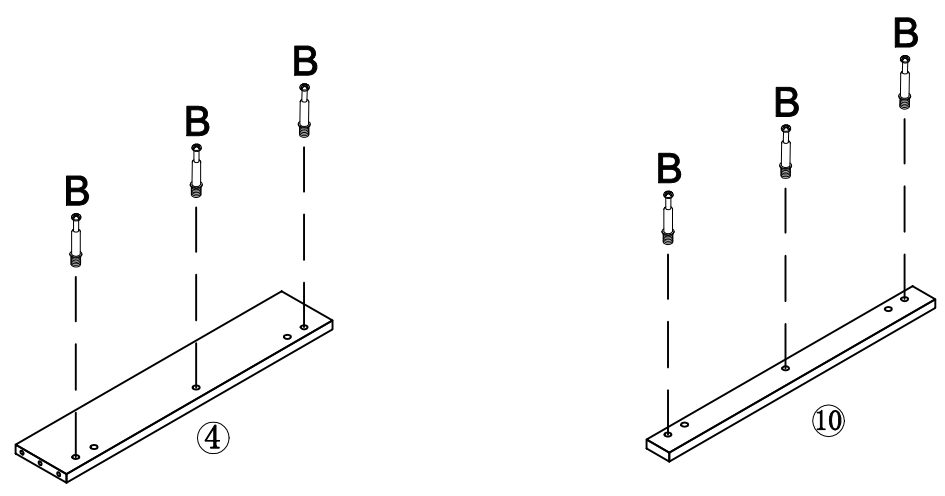
STEP:1

B	
18PCS	


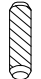


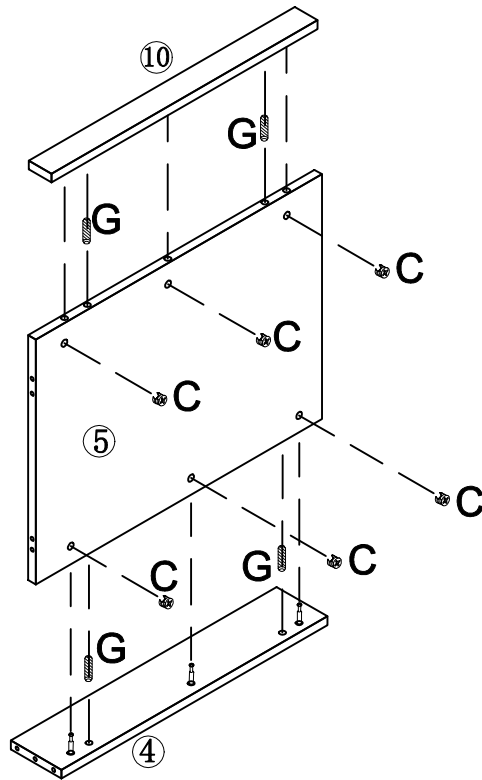
STEP:2

B	
6PCS	



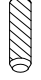


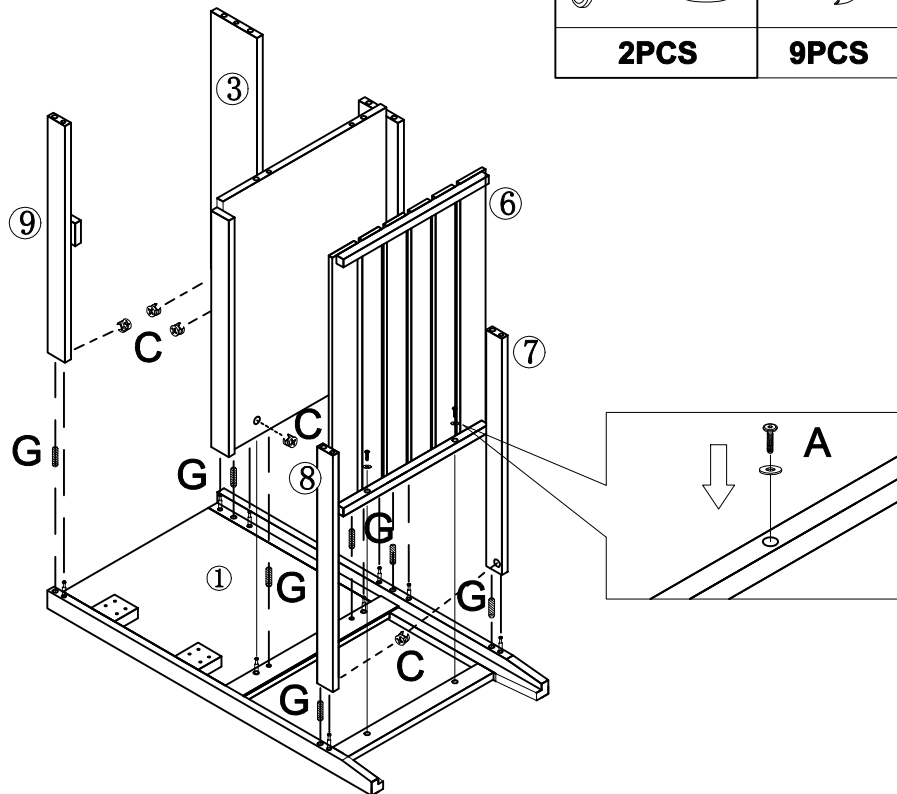
STEP:3

C		G	
6PCS		4PCS	






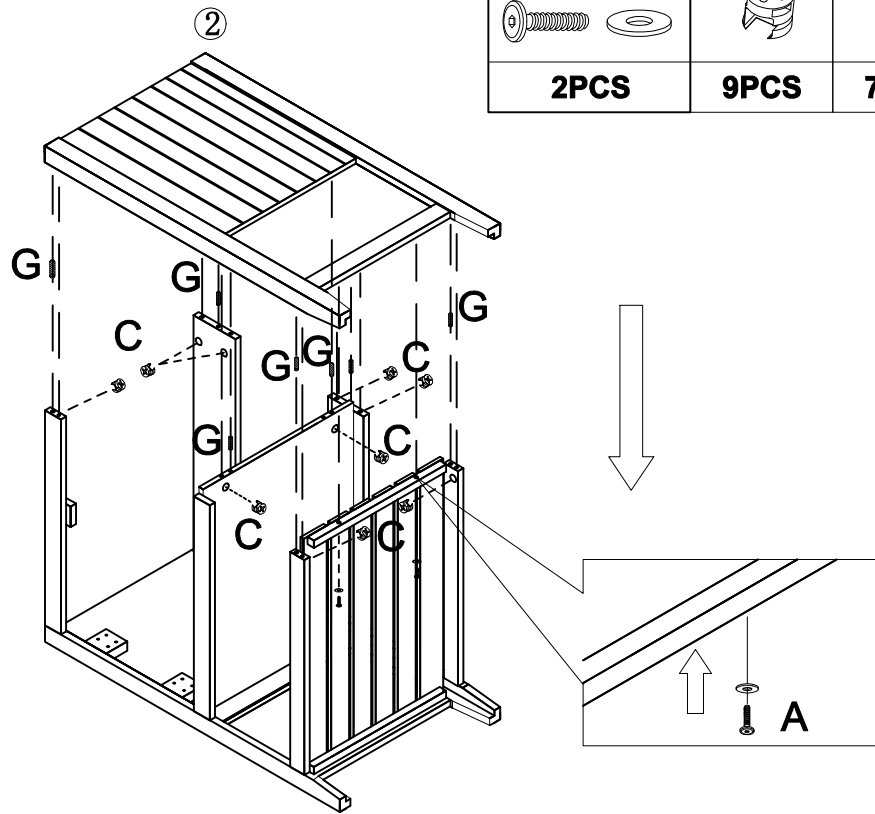
STEP:4

A	C	G
		
2PCS	9PCS	7PCS

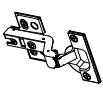
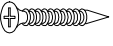


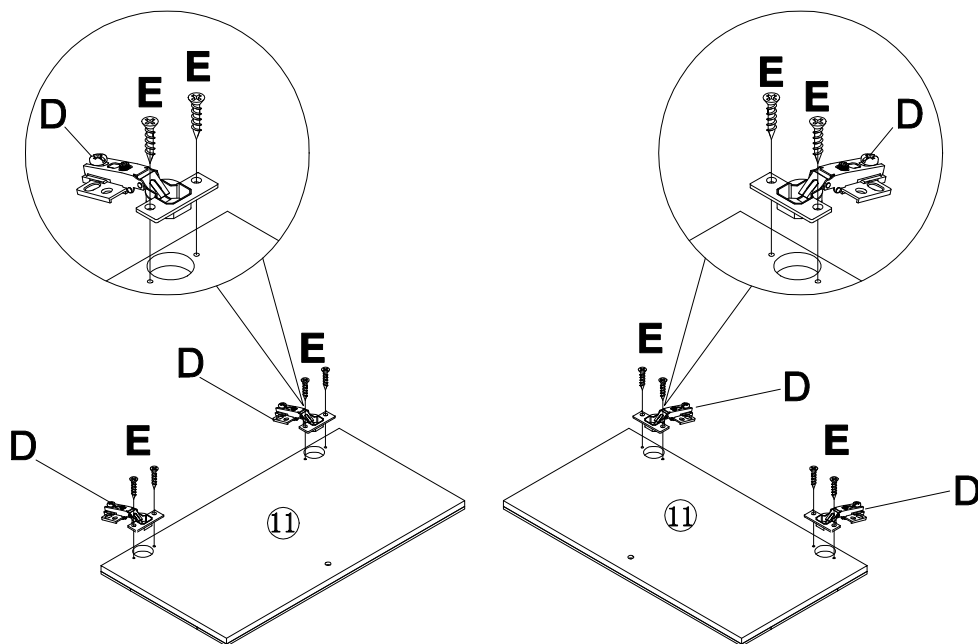
STEP:5

A	C	G
		
2PCS	9PCS	7PCS




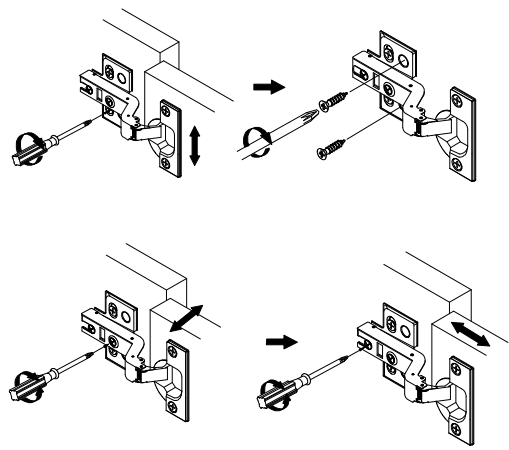
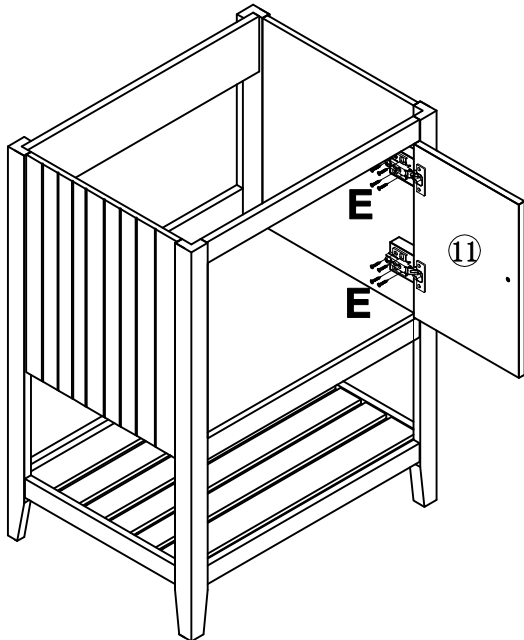
STEP:6

D	E
	
4PCS	8PCS

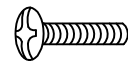

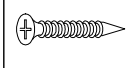


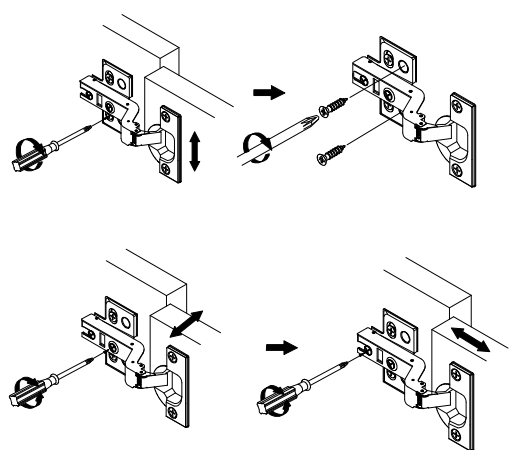
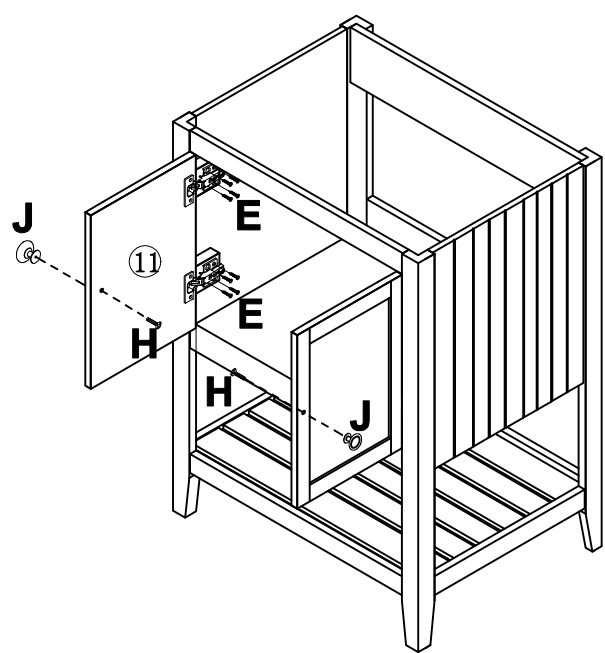
STEP:7

E

8PCS

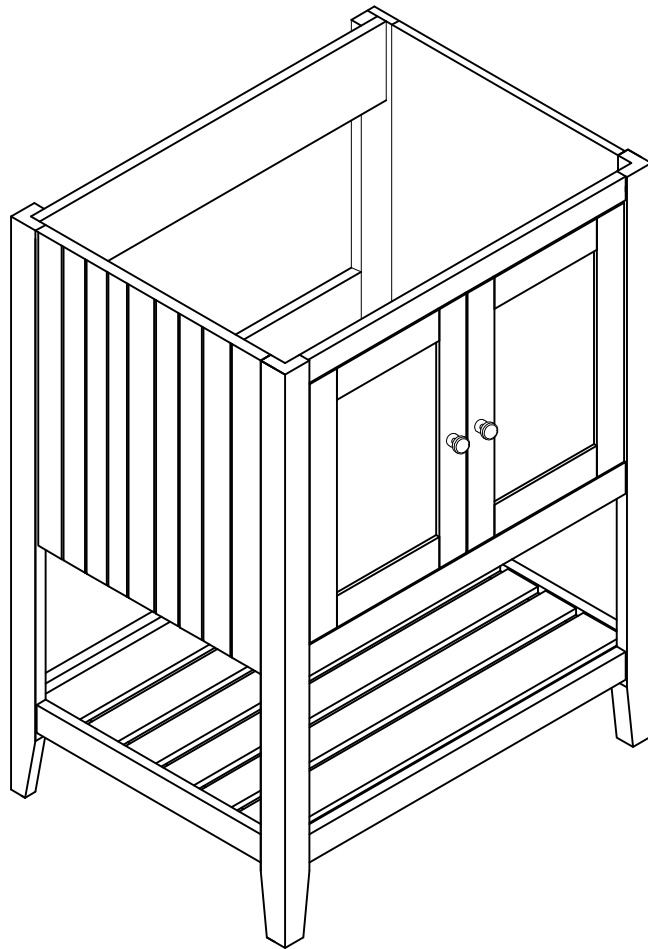


STEP:8

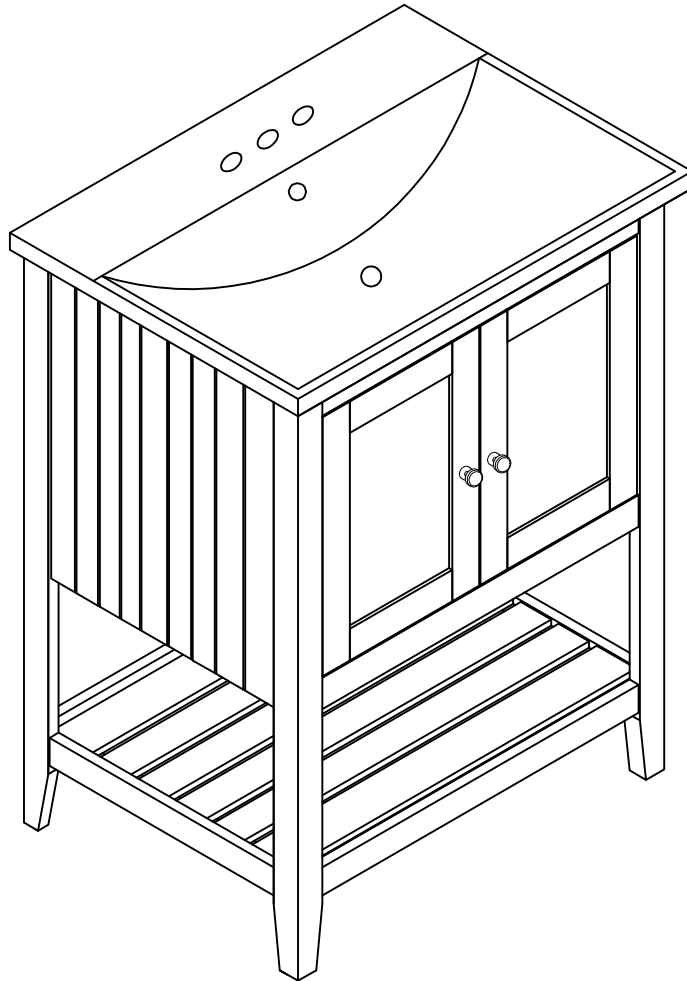
H	J	E
		
2PCS	2PCS	8PCS



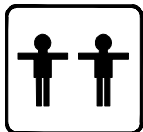
STEP:9



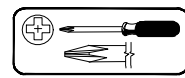
BATHROOM VANITY



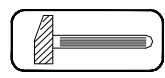
*** Use of power tool to assemble this product will invalidate any claim and damage this product making unsafe !!!**
*** Please assemble on a clean soft surface to avoid damage.**



Tools Required



(Not included)



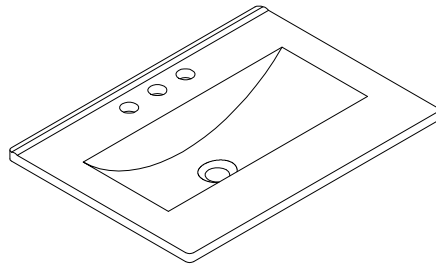
(Not included)

IMPORTANT:

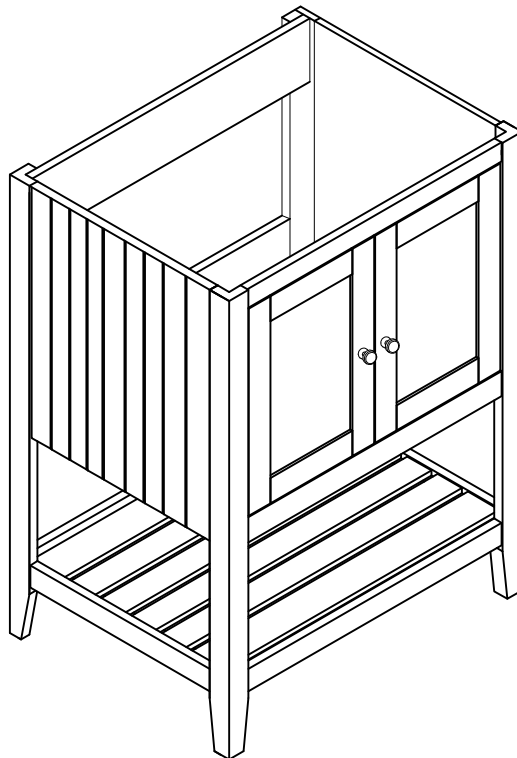
PLEASE READ INSTRUCTION BEFORE STARTING THE ASSEMBLY

Part List

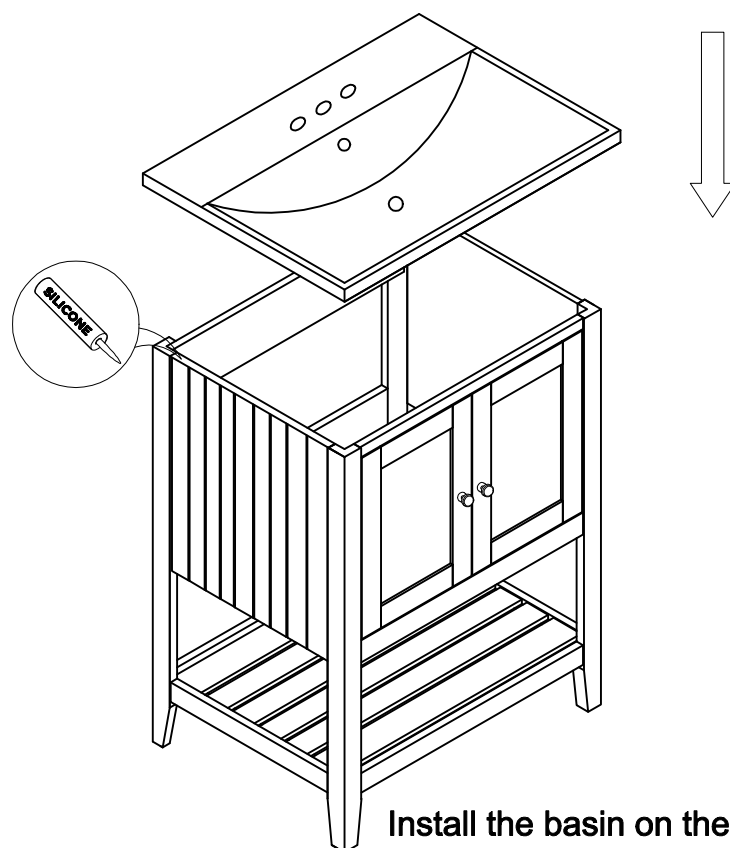
WF287736



WF287735



STEP:1



Install the basin on the cabinet with glue.
Let stand for 24 hours

STEP:2

