

# ASSEMBLY INSTRUCTIONS

ITEM # : N725P171407

Thank you for purchasing this quality Product. Be sure to check all packing material carefully for small parts, which may have come loose inside carton during shipment. Identify and count all parts and compare with the parts list below.



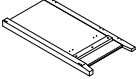
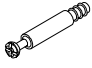
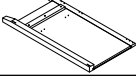
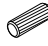




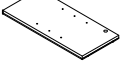

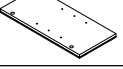



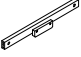



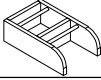
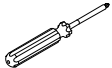
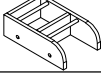
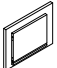

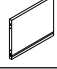



## ASSEMBLY INSTRUCTION:

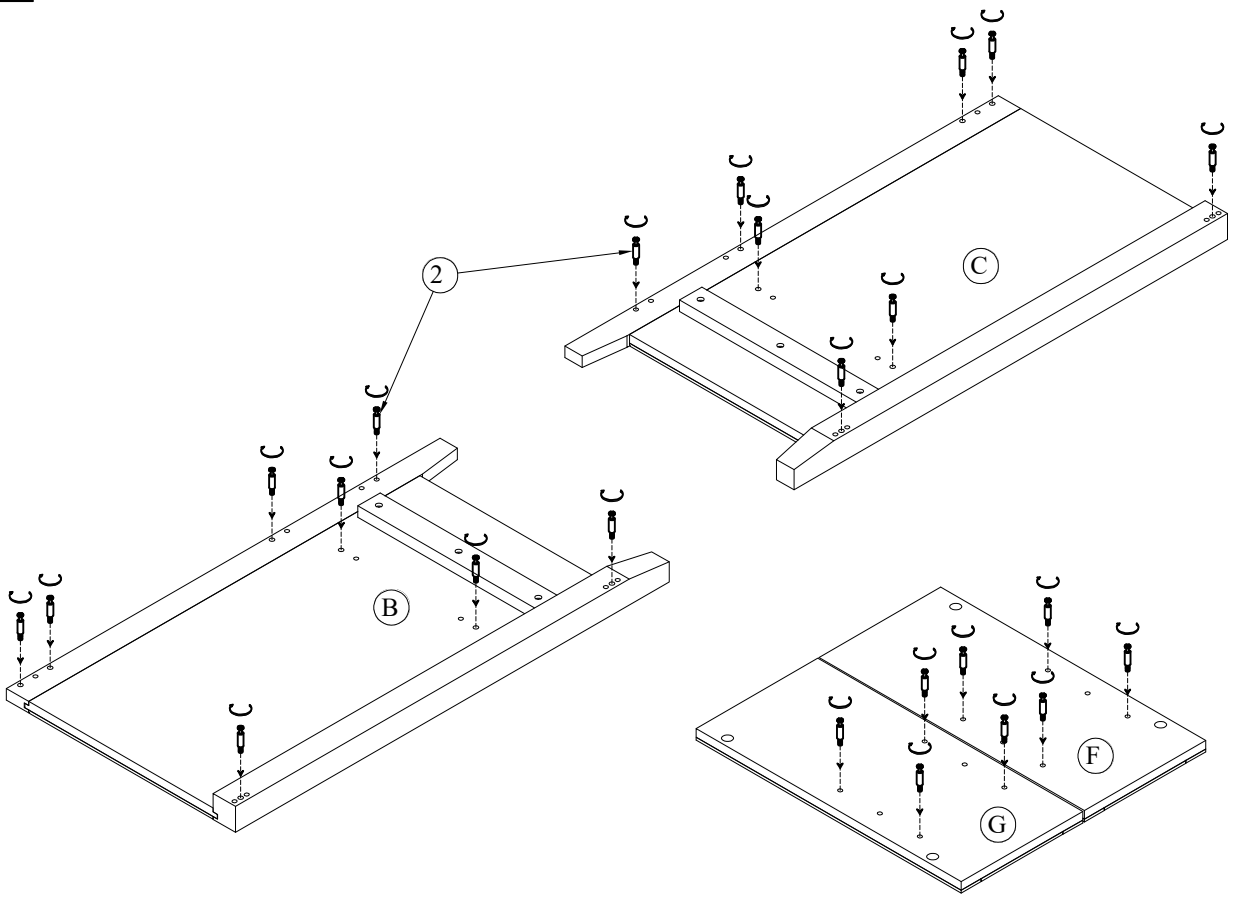
1. Remove hardware from box and sort by size.
2. Please check to see that all hardware and parts are present prior start of assembly.
3. Please follow attached instruction in the same sequence as numbered assure fast and easy assembly.

## WARNING!

1. Don't attempt to repair or modify parts that are broken or defective. Please contact the store immediately.
2. This product is for home use only and not intended for commercial establishments.
3. Two persons are required for assembly.
4. Approximate assembly time 1/2 hours.
5. Component parts and fittings contained in the box. Please sort out all parts before you begin to assemble the item. This is to make sure you always use the correct part.
6. It is **STRONGLY RECOMMENDED** that you **ANCHOR** this product. Tying furniture can cause serious injuries and death. To prevent your furniture from tipping forward it is strongly recommended that you securely attach this product to a wall or other solid surface, using the anchor straps provided appropriate fixings.

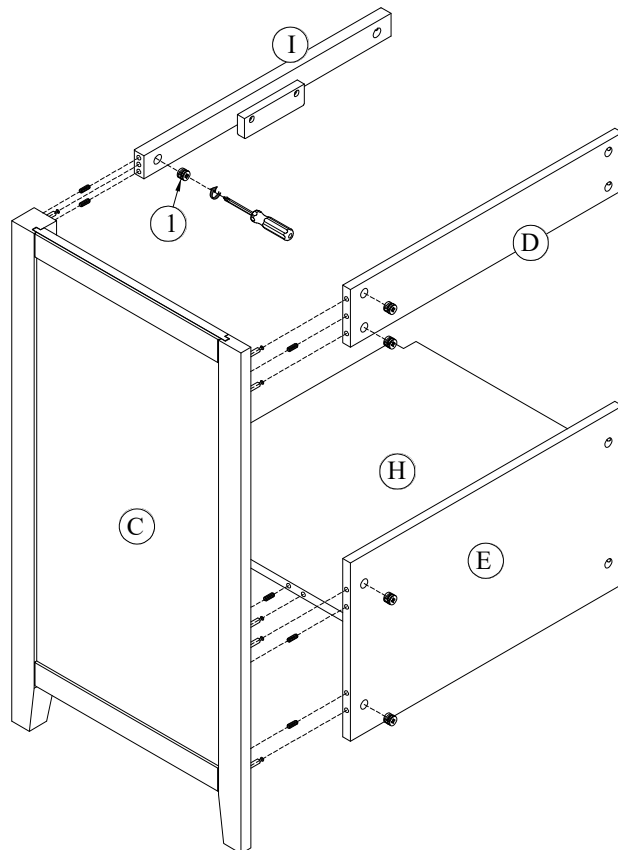
No.	Component	Q'ty	No.	Hardware	Q'ty
A	 Sink	1	1	 Cam Lock	24
B	 Side Panel-Left	1	2	 Cam Lock Screws	24
C	 Side Panel-Right	1	3	 Wooden	22
D	 Back Panel - Up	1	4	 Hinges	4
E	 Back Panel - Low	1	5	 Screws M3.5x15	24
F	 Left Door	1	6	 Screws M4x25	8
G	 Right Door	1	7	 Handle	1
H	 Shelf Panel	1	8	 Knob	2
I	 Front Rail	1	9	 Screws M4x30	2
K	 Front Rail	1	10	 Screws M4x25	2
L	 Towel Rack - Left	1	 Not Included		
M	 Towel Rack - Right	1			
N	 Front Drawer Panel	1			
O	 Sides Drawer Panel	2			
P	 Back Drawer Panel	1			
Q	 Bottom Drawer Panel	1			

### Step 1



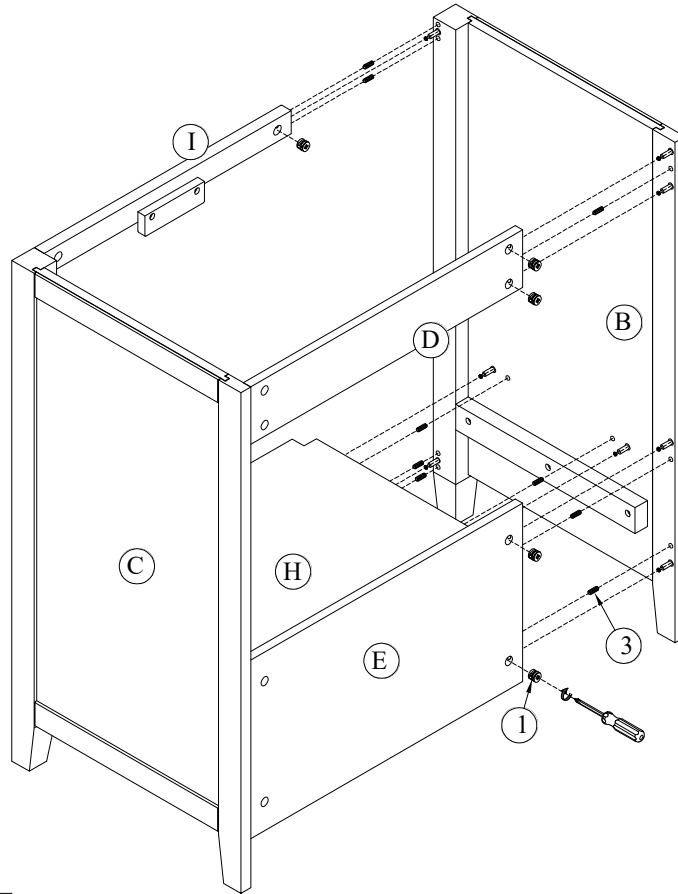
No	Hardware	Q'ty
2	Cam Lock Screws	24

### Step 2



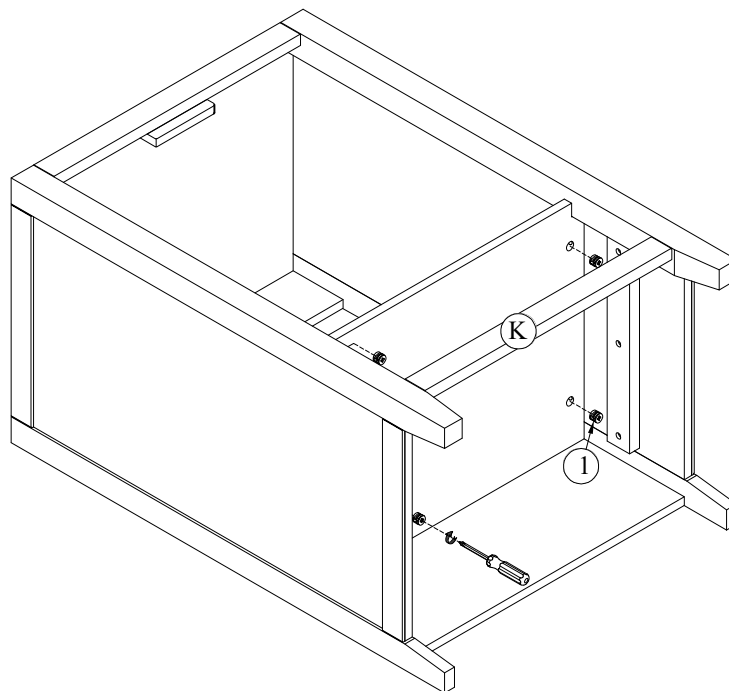
No	Hardware	Q'ty
1	Cam Lock	6
3	Wooden	9

### Step 3



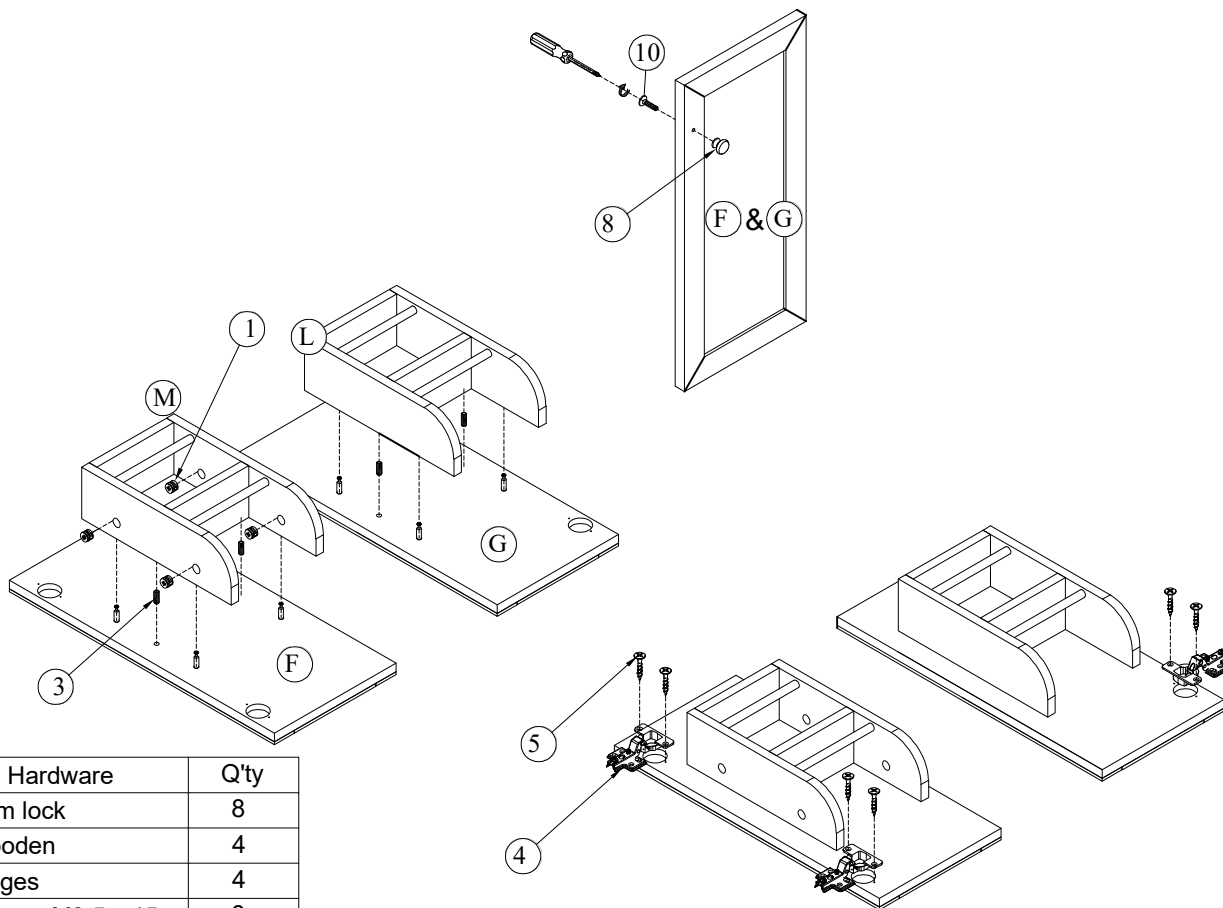
No	Hardware	Q'ty
1	Cam Lock	6
3	Wooden	9

### Step 4



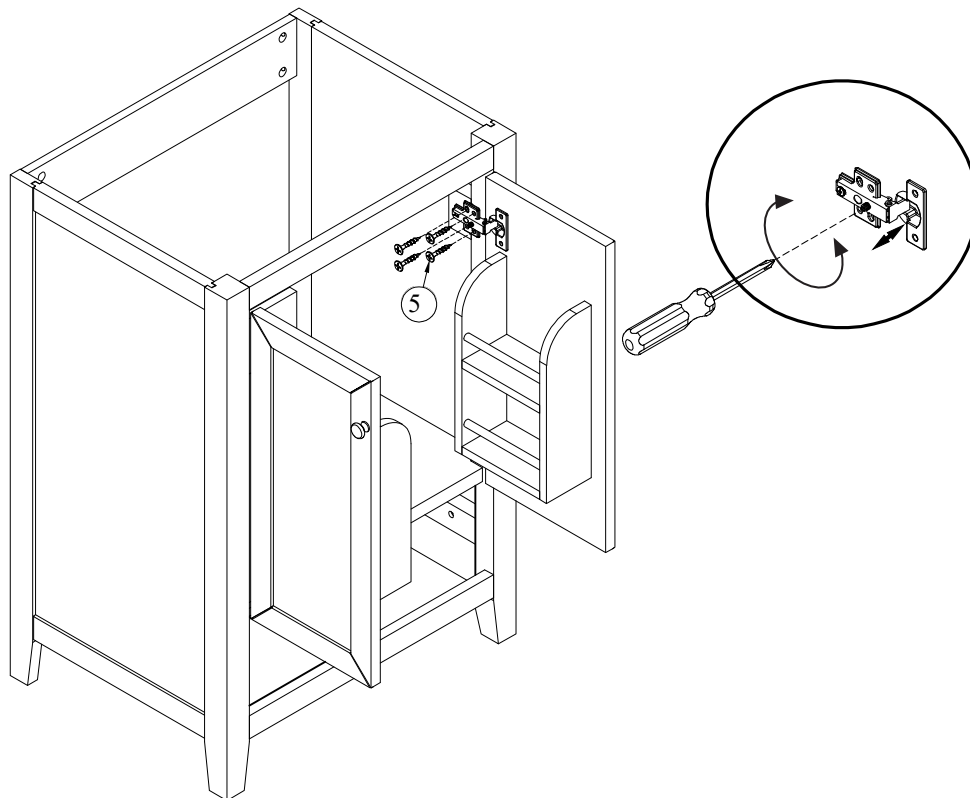
No	Hardware	Q'ty
1	Cam Lock	4

### Step 5



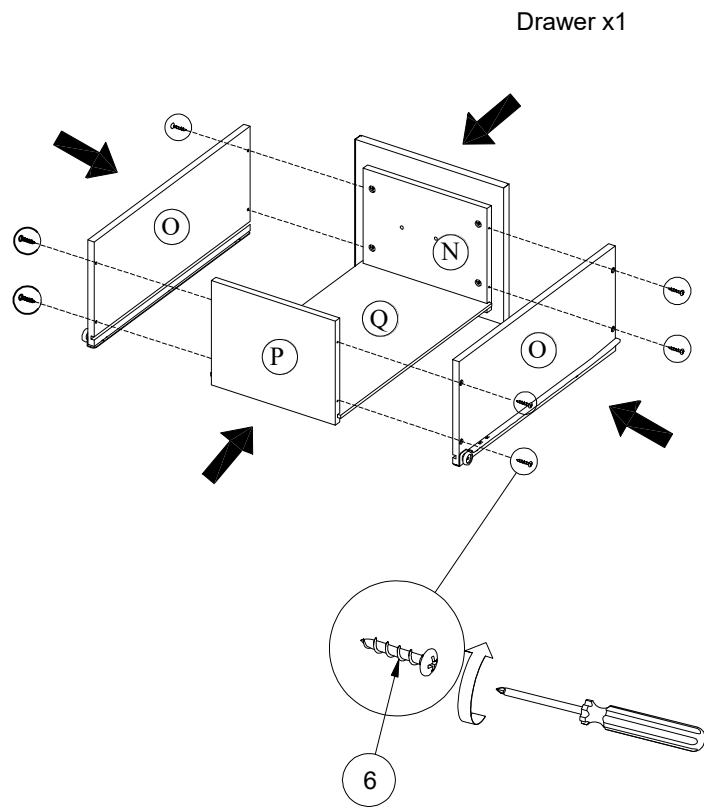
No	Hardware	Q'ty
1	Cam lock	8
3	Wooden	4
4	Hinges	4
5	Screws M3.5 x 15	8
8	Knob	2
10	Screws M4 x 25	2

### Step 6



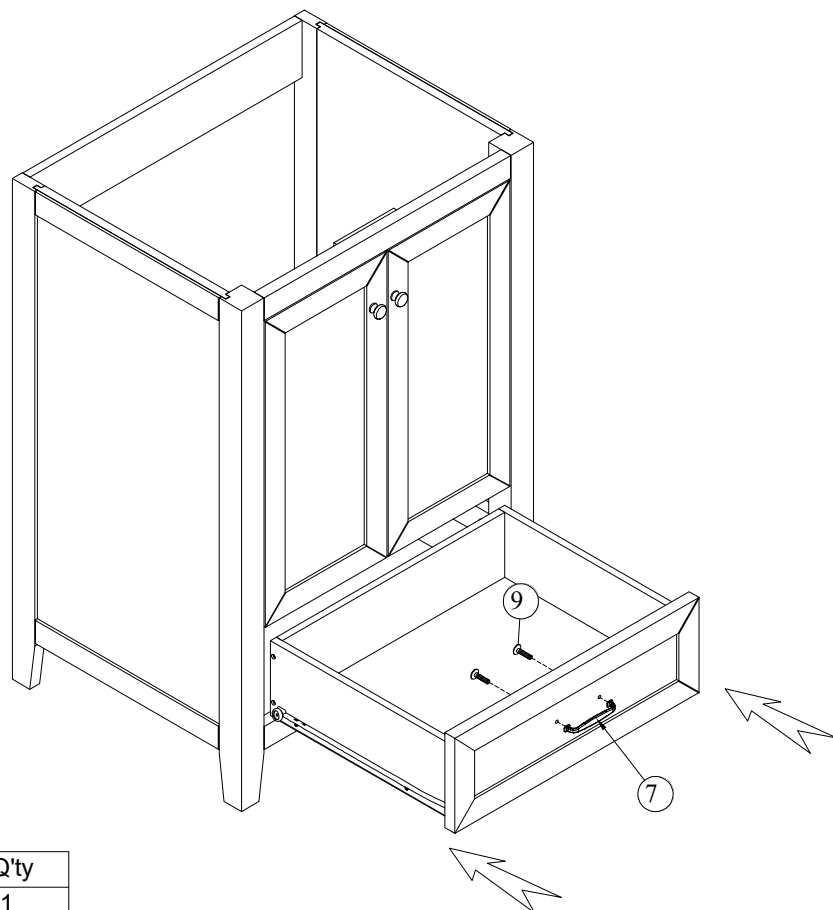
No	Hardware	Q'ty
5	Screws M3.5 x 15	16

### Step 7



No	Hardware	Q'ty
6	Screws M4 x 25	8

### Step 8



No	Hardware	Q'ty
7	Handle	1
9	Screws M4 x 30	2

Step 9

