

Installation Manual of Bed

Dear Valued Customer:

Thank you for choosing our brand and purchasing our bed frame!

We are thrilled to have earned your trust and we want to ensure that you are completely satisfied with your purchase. To help you get the most out of your new bed frame, we would like to share some useful tips on cleaning and maintenance.

When cleaning your bed frame, we recommend using a soft, slightly moist cloth. Avoid using corrosive detergents, wire brushes, abrasive scourers, or any sharp metal objects as they may damage the product.

Additionally, we recommend checking the components of the bed frame regularly to ensure that all screws are tightened and the frame remains stable.

Installing the bed frame is a simple process. Please refer to the detailed instructions in the manual for step-by-step guidance.

Customer satisfaction is our top priority and we are committed to providing you with the best service and high-quality products. If you have any questions or concerns regarding your bed frame, please don't hesitate to contact our customer service team at email. We are here to help you and resolve any issues you may have. To solve your problem faster, please note the following information in the email.

Contact : AMZ11service@outlook.com.

Theme: Beds Service

Content: Name-XXX

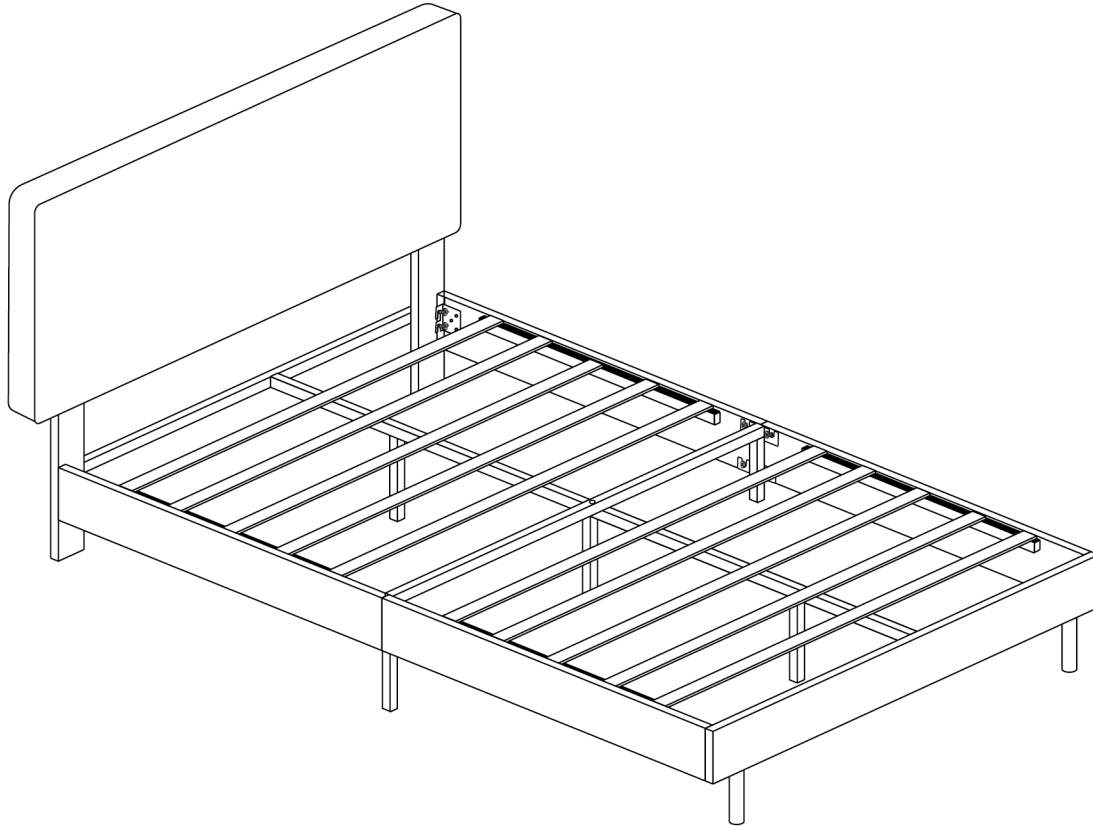
Order ID Number: xxx-xxxxxxx-xxxxxxx

Once again, we would like to express our gratitude to you for choosing our product. Your trust and support mean the world to us. We look forward to continuing to provide you with the best products and services possible.

Best Regards,

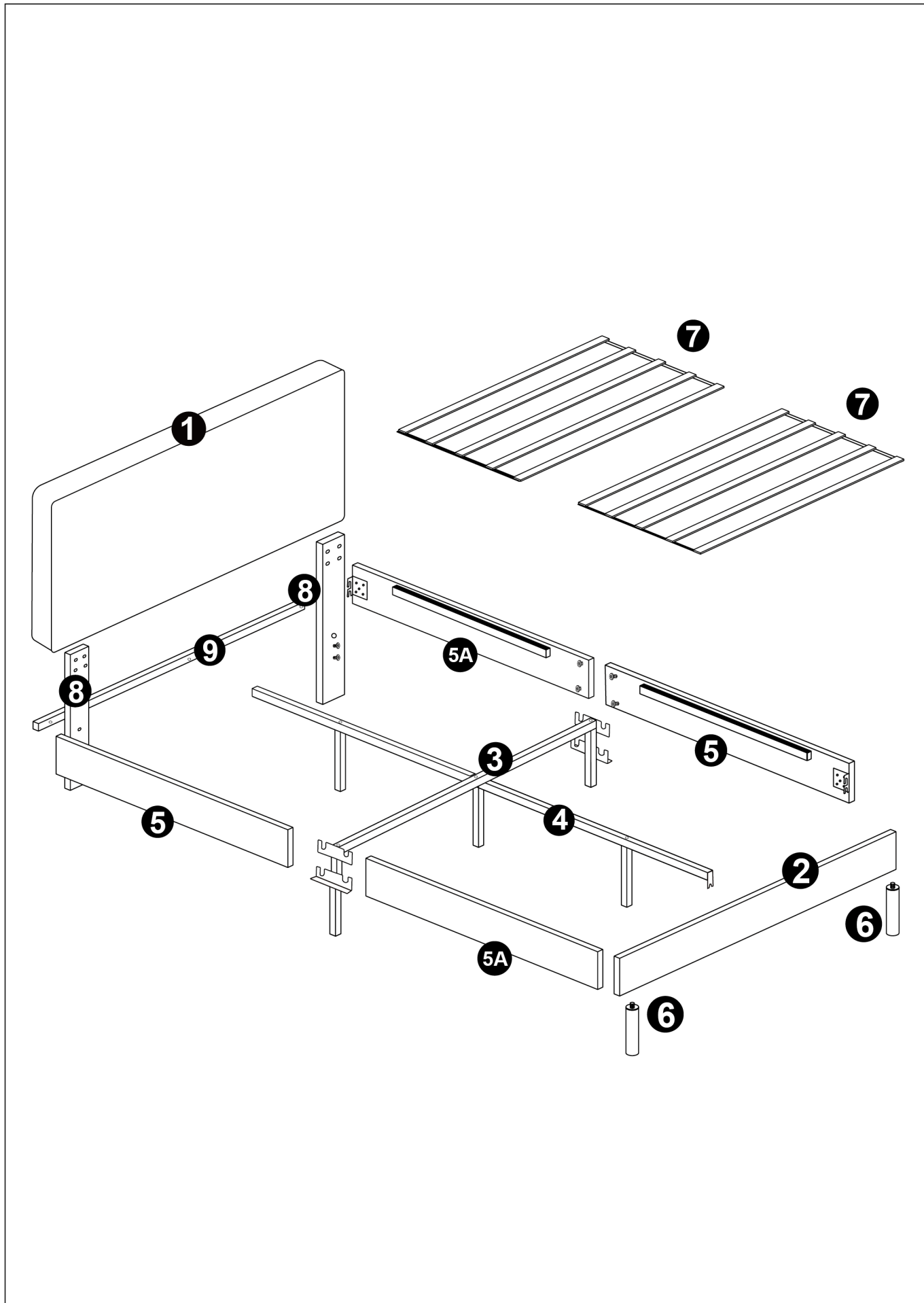
Customer Service Team

STANDARD BED

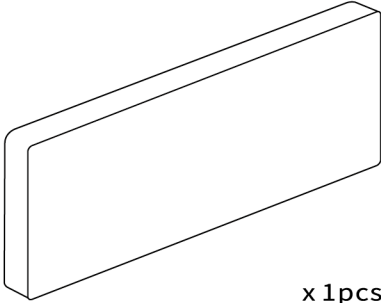
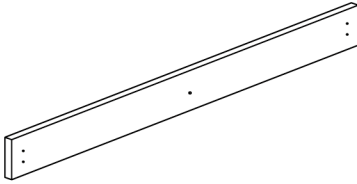
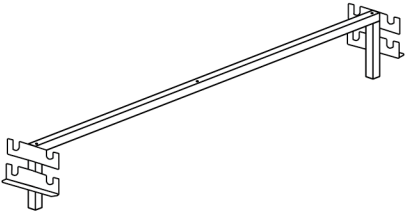
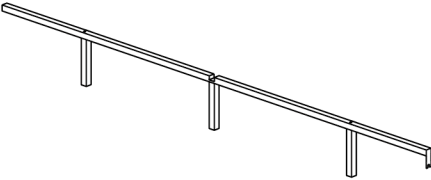
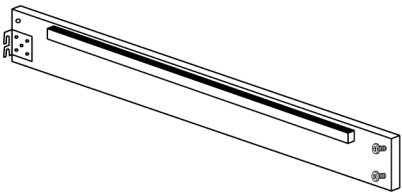
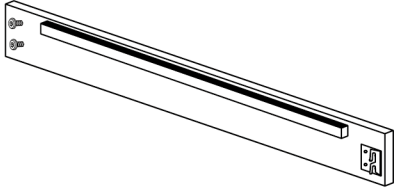

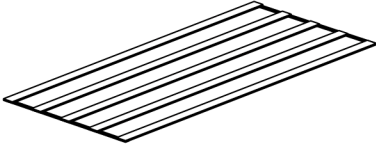
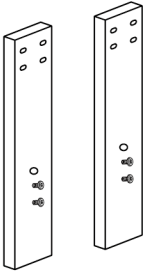
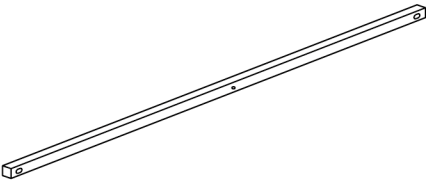


IMPORTANT NOTE

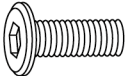
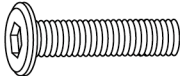
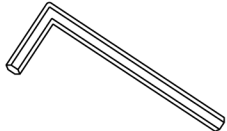
1. Please check that all parts are complete before installation.
2. Please strictly follow the installation steps to install.
3. Please install the bed on a clean and smooth surface to prevent any damage.
4. Please periodically check all the fittings and re-tighten as necessary.
5. Please do not use the bed unless all bolts and screw are firmly secured.
6. Please contact us if you need any help, we will reply you as soon as possible.



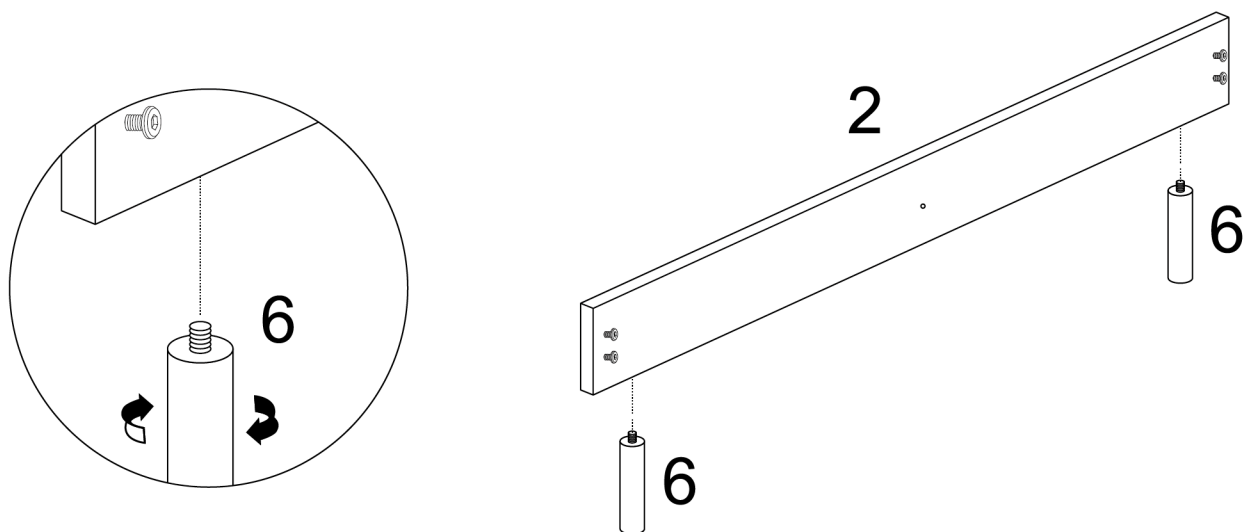
PART LIST

<p>(1) Headboard</p>  <p>x 1pcs</p>	<p>(2) Footboard</p>  <p>x 1pcs</p>	<p>(3) Center support bar</p>  <p>x 1pcs</p>
<p>(4) Center support bar</p>  <p>x 1pcs</p>	<p>(5A) Side panel</p>  <p>x 2pcs</p>	<p>(5) Side panel</p>  <p>x 2pcs</p>
<p>(6) Foot</p>  <p>x 2pcs</p>	<p>(7) Slat</p>  <p>x 2pcs</p>	<p>(8) Headboard support leg</p>  <p>x 2pcs</p>
<p>(9)</p>  <p>x 1pcs</p>		

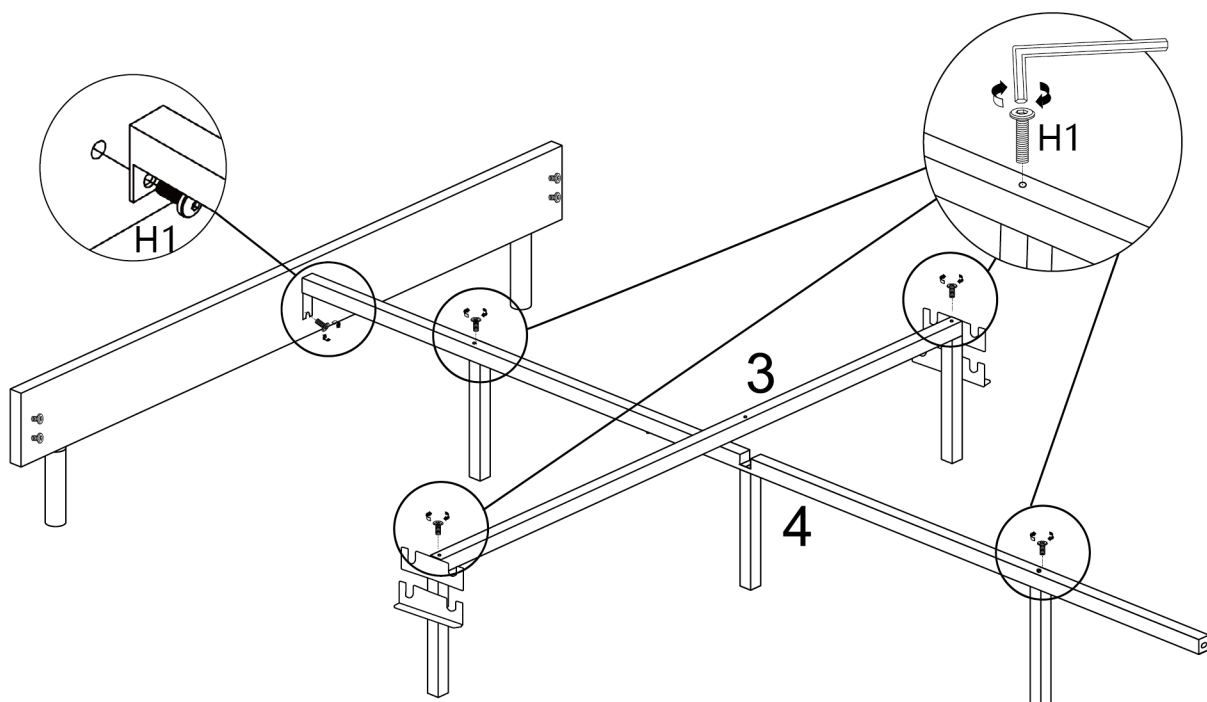
PART LIST

<p>(H1) Bolt M8x35mm x 16pcs</p> 	<p>(H3) Bolt M8x50mm x 1pcs</p> 	<p>(H2) Allen Key M5 x1pc (Installation tool)</p> 
--	---	---

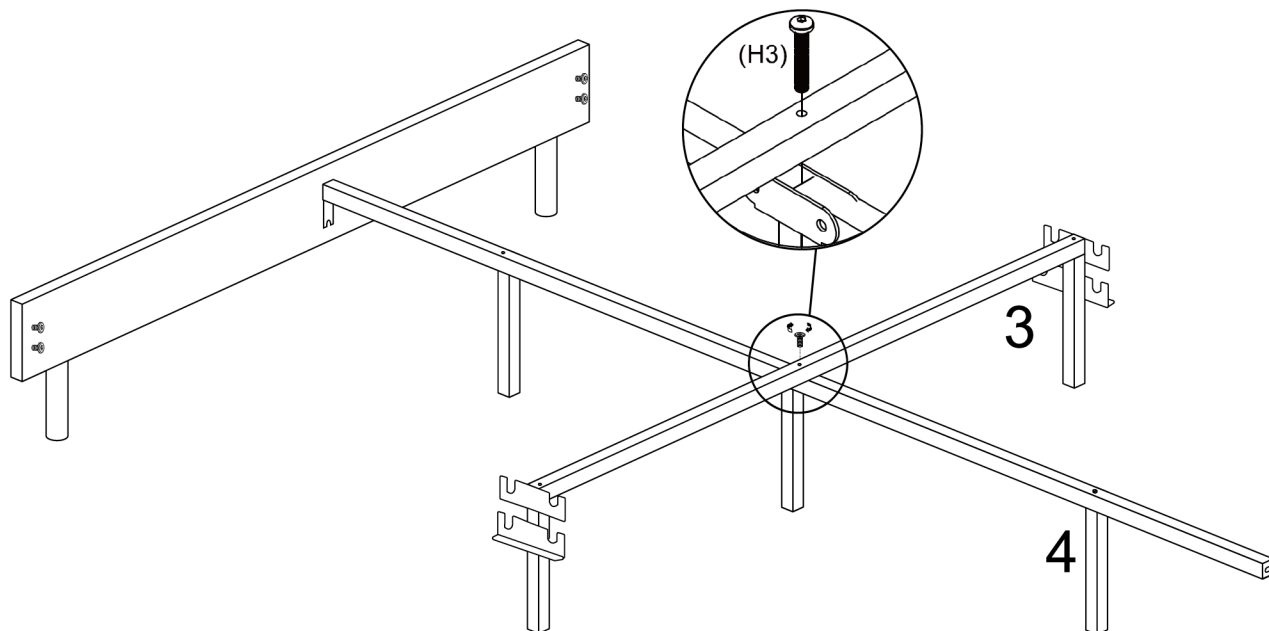
Step 1 Please install part (6) to part (2)



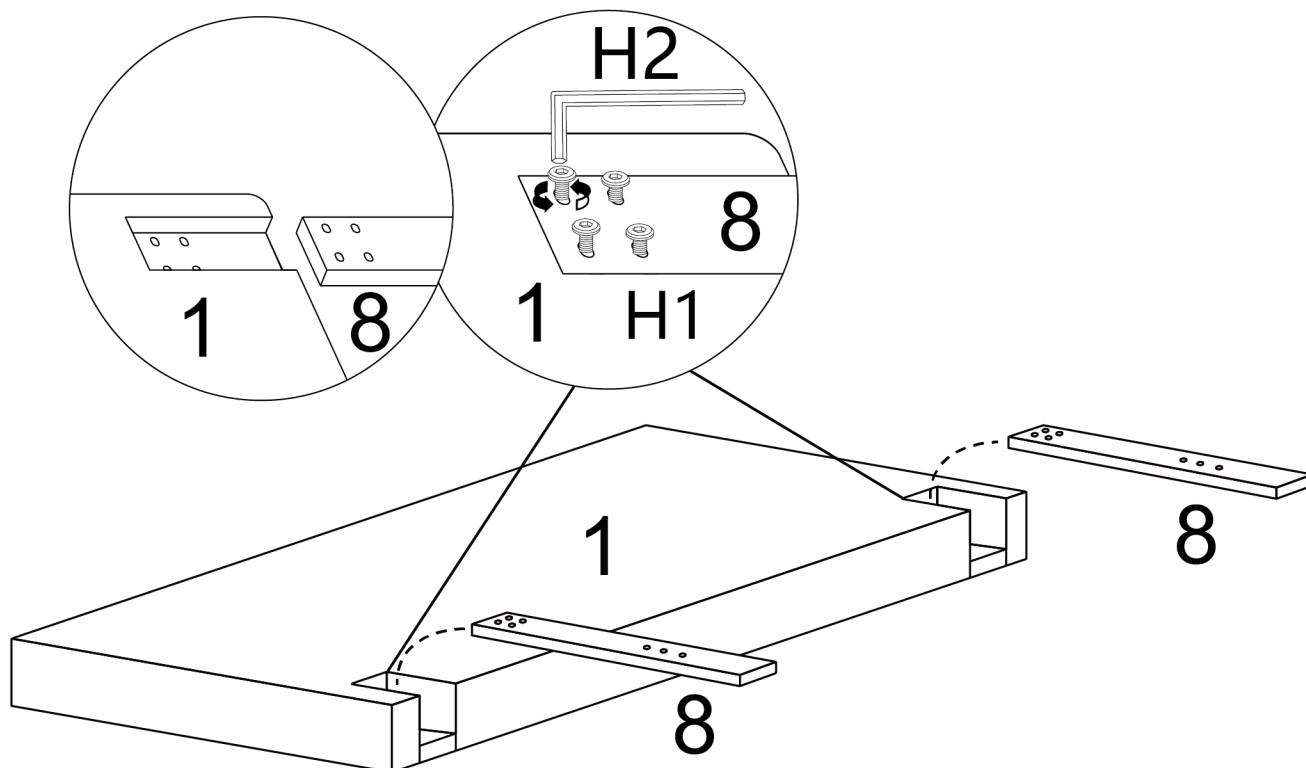
Step 2 Please install part (4) on part (2), and tighten screw (H1)



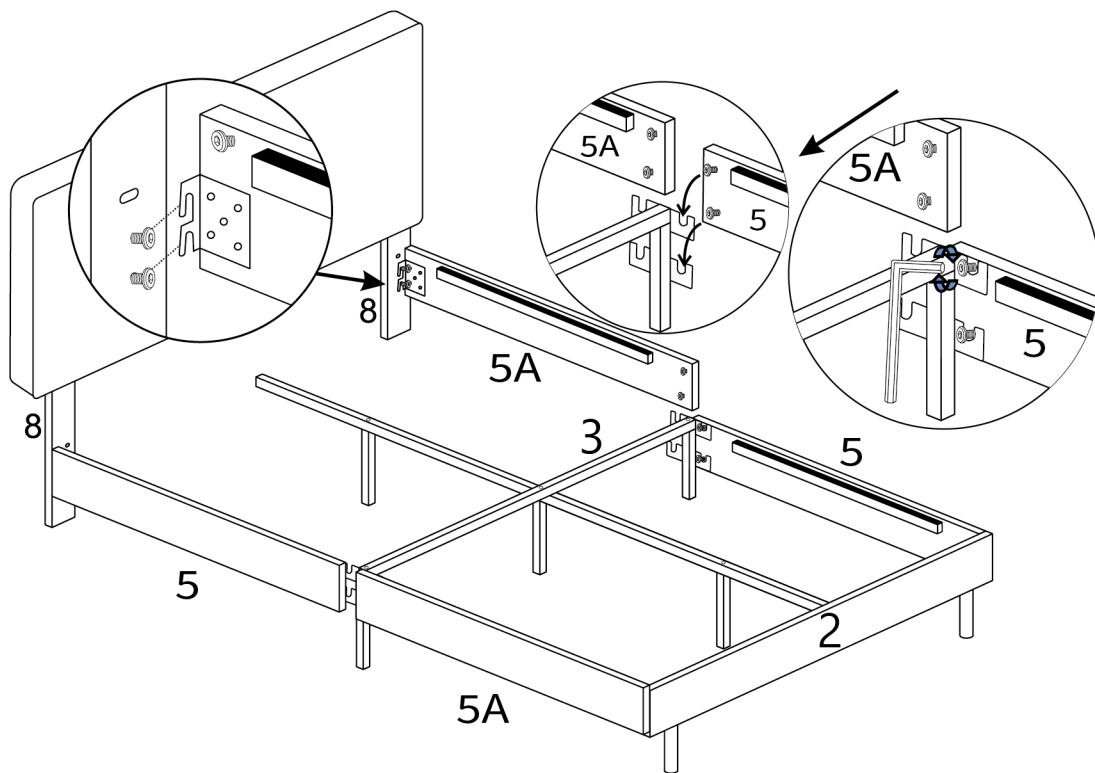
Step3 Please install part (3) on part (4), and tighten screw (H3)



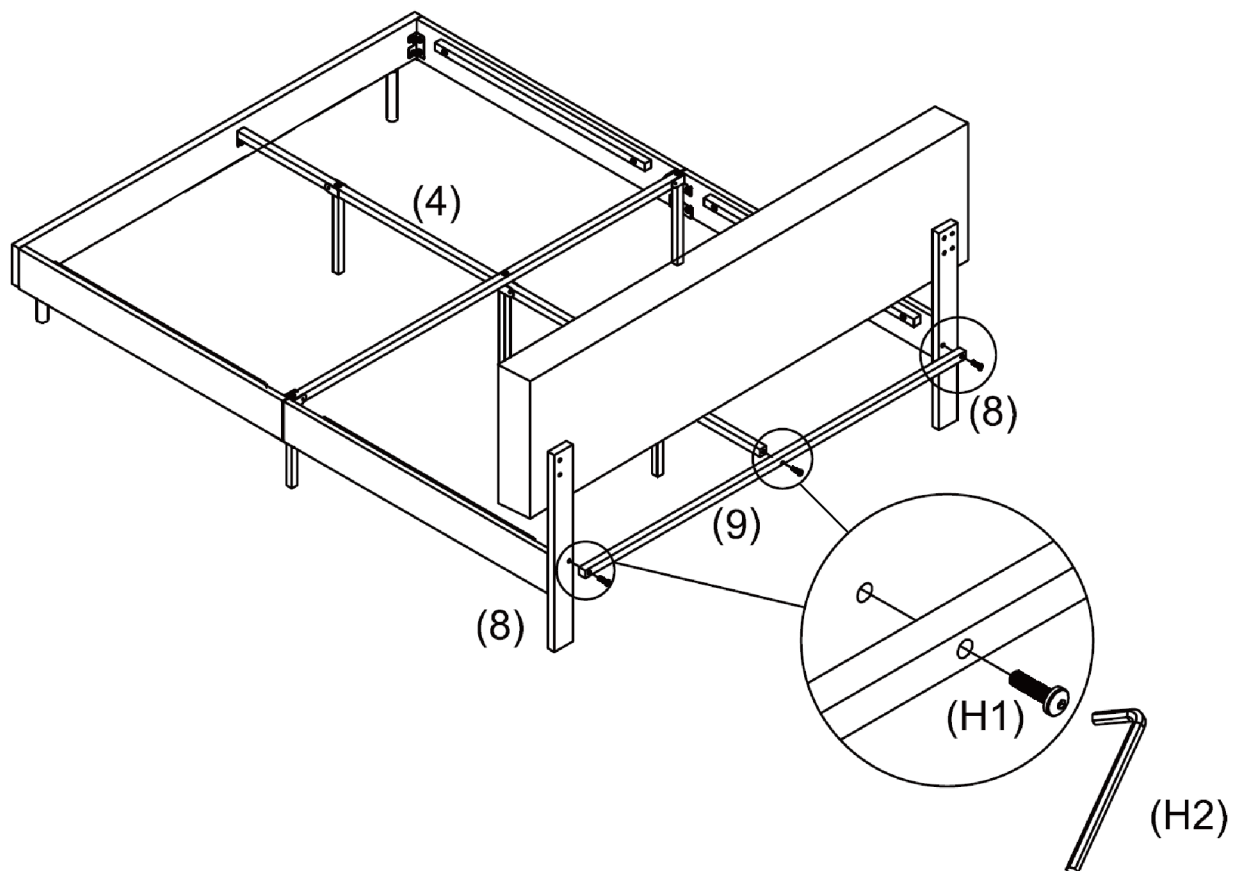
Step 4 Lay the headboard (1) flat on the clean floor, put the part (8) on it, and tighten it with screw (H1)



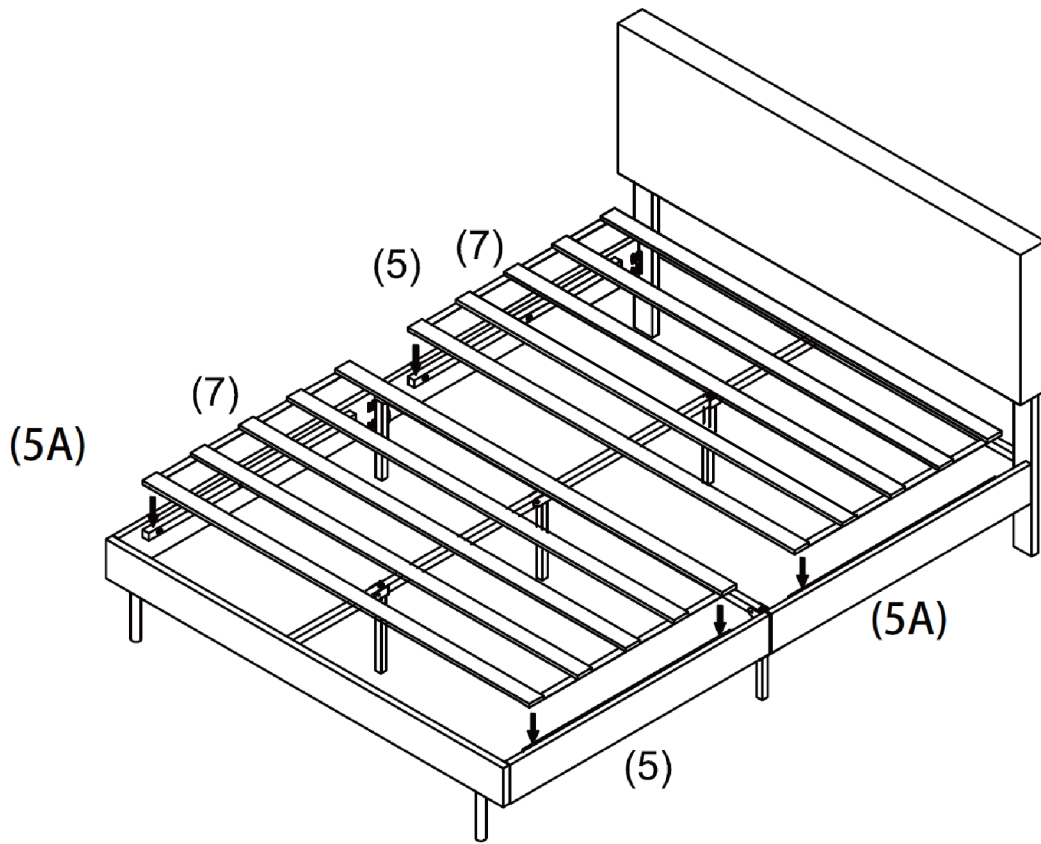
Step5 Please install part (5) (5A) on part (2) (3) (8) and tighten the pre-install screw.

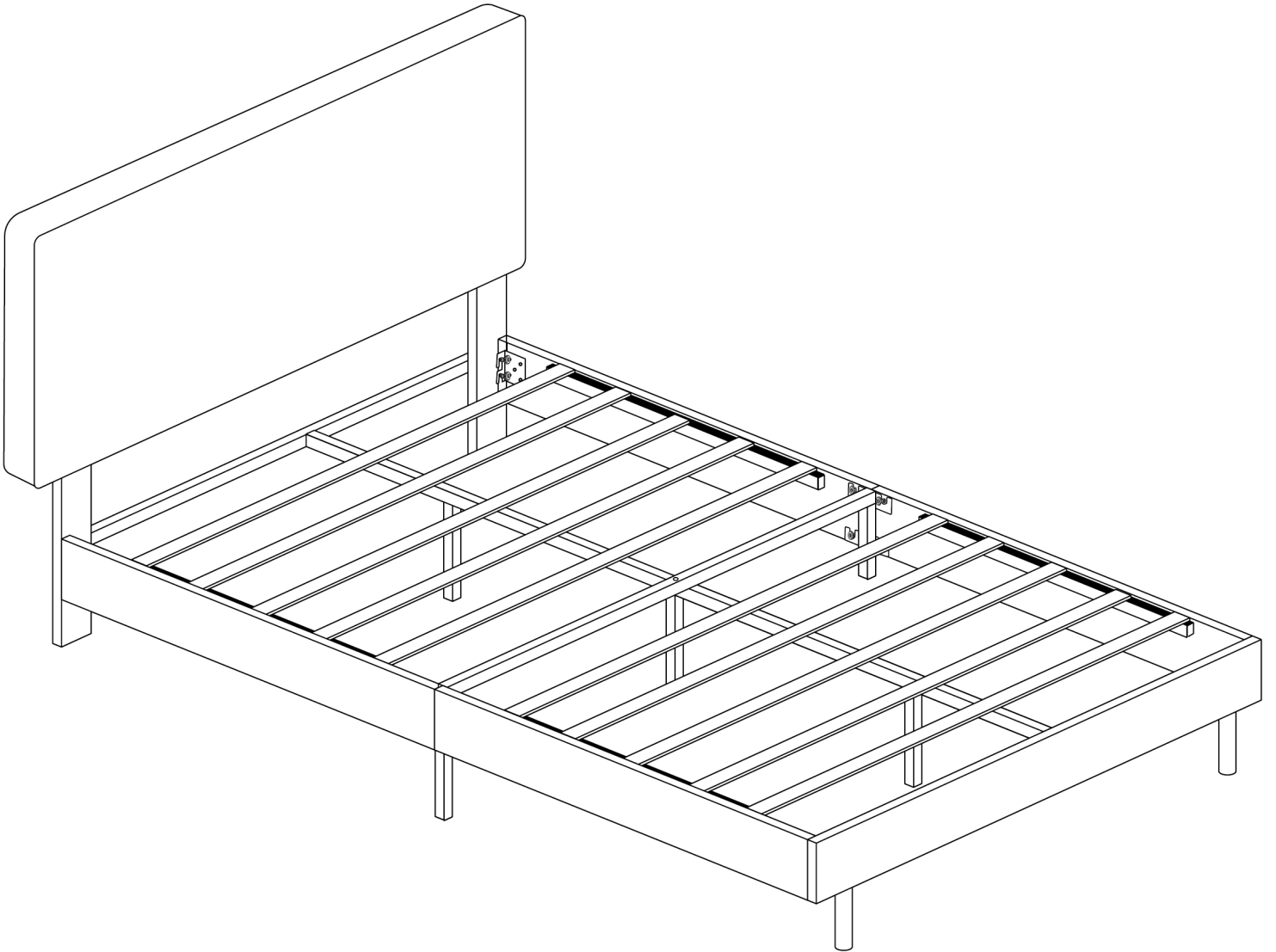


Step6 Please connect part (9) to part (4) (8) with screw (H1)



Step7 Step6 Attach the part (7)to the Velcro on the part (5) (5A)





Job complete!

In the interest of our environment, please dispose
of all packaging thoughtfully, thanks!

We'd love to hear from you!