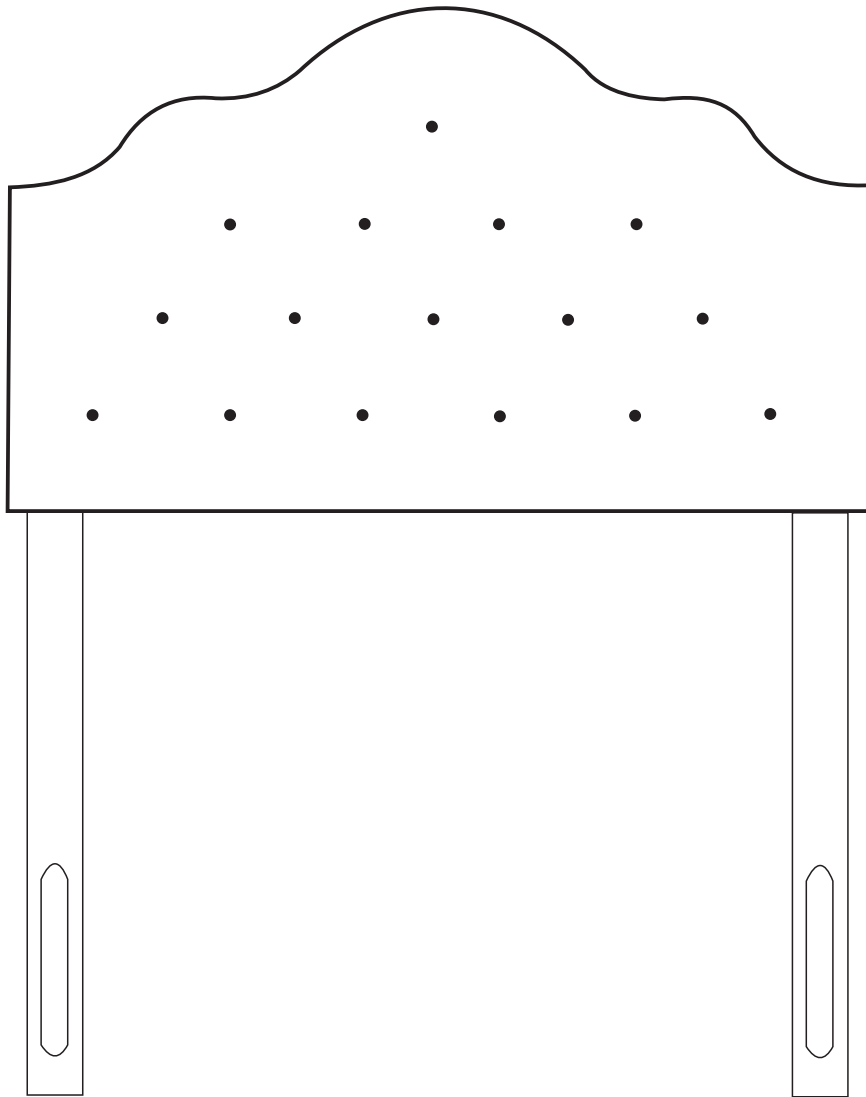


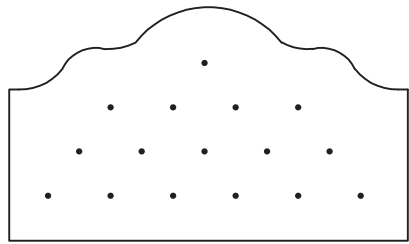
ASSEMBLY INSTRUCTION



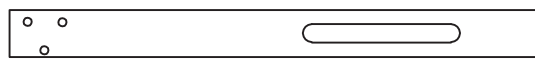
HIHB11

ASSEMBLY STEPS

Parts



A
1pc



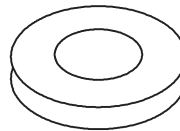
B
2pcs



C
6pcs



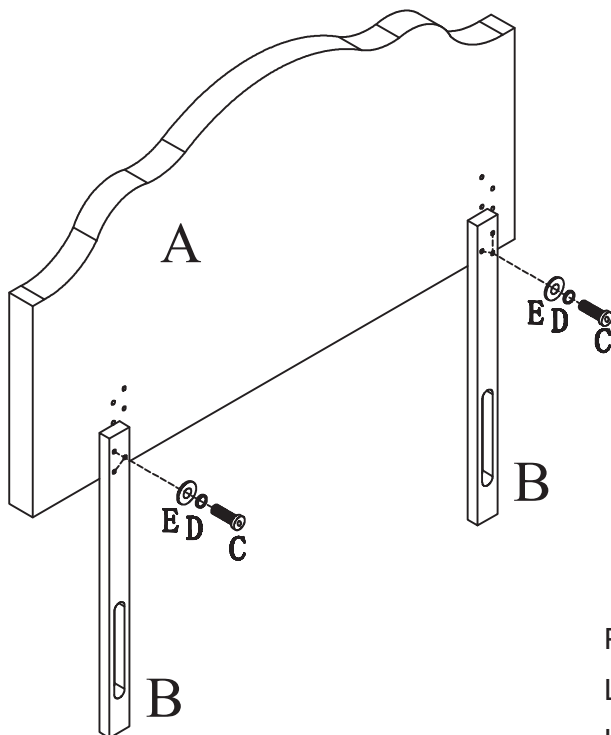
D
6pcs



E
6pcs



F
1pc

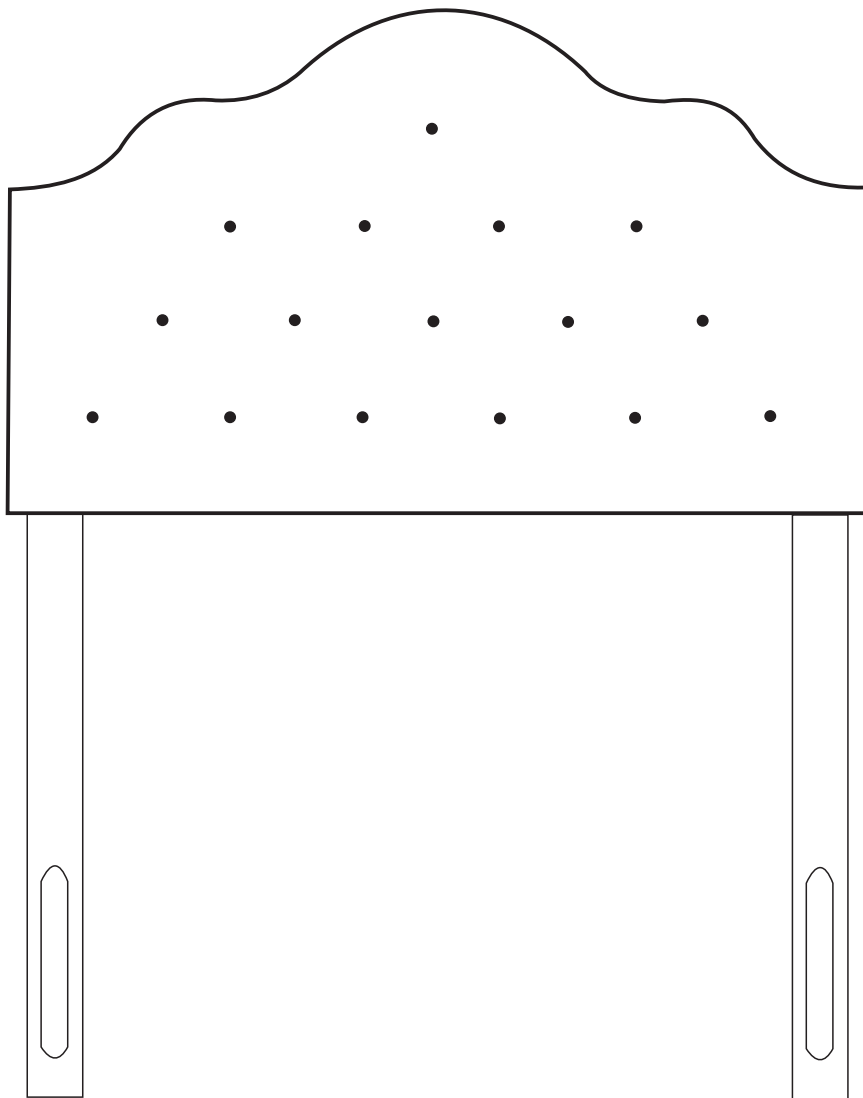


Parts location:

Legs for twin size located beside the headboard,

Legs for other size located inside headboard,

Hardware package inside box.



Job Complete!

In the interest of our environment please dispose of all packaging thoughtfully.