

General Guidelines

- Please read the following instruction carefully and use the product accordingly.
- Please keep this manual and hand it over when you transfer the product.
- This summary may not include every detail of all variations and considered steps. Please contact us when further information and help are needed.

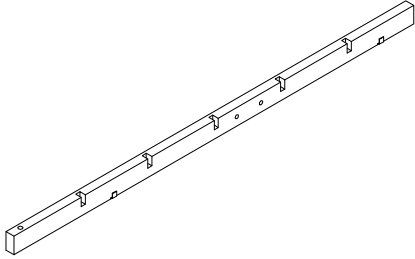
Notes

- The product is intended for indoor use only. The product must be assembled and used in accordance with the provisions of the manual. Personal injury and/or damage to product may occur if products are used outside of their intended purposes and/or if products have been changed/modified from their original design. The seller does not assume any responsibility or liability with respect to any injury/damage caused by incorrect assembly or improper use.
- Avoid long-term exposure to humid environments to prevent mildew.
- Keep the product away from fire sources and high temperatures. Do not expose the product to direct sunlight.
- Do not place any hot objects on the surface of the product.
- If there are any defective or missing parts after unpacking, please cease assembly immediately and contact us.
- Please assemble the item on a spacious surface and do not place the unwrapped product directly on the ground to avoid product damage.
- Please do not stand or sit on the wooden boards.
- Please wear gloves during the assembly and/or disassembly process to avoid scratches from any sharp edges.
- Please match the corresponding part and fitting based on the part number in the manual.
- If the part does not match with the fitting, please check the piece as specified in this manual.
- During assembly, first loosely align all screws with the corresponding pre-drilled holes and then tighten the screws one by one.
- Periodically inspect screw tightness while the product is in use. If necessary, retighten to ensure structural integrity.
- If you accidentally spill water or another liquid on the surface, immediately wipe clean with a dry towel.
- Please keep the product away from sharp, pointed objects and corrosive substances to prevent product damage.
- Please place this item on level, solid ground during use.

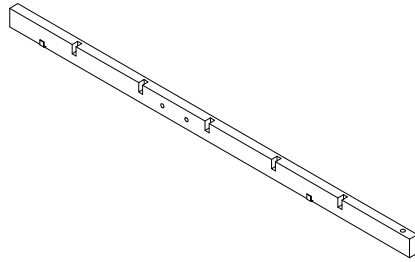
Warnings

- During assembly, keep all small parts out of the reach of children. It may be fatal if swallowed or inhaled.
- To avoid the potential dangers of suffocation, please keep all parts and packaging (film, plastic bags, foam, etc.) away from babies and children.
- Keep sharp objects and corrosive items away from the product to avoid any damage or injury.

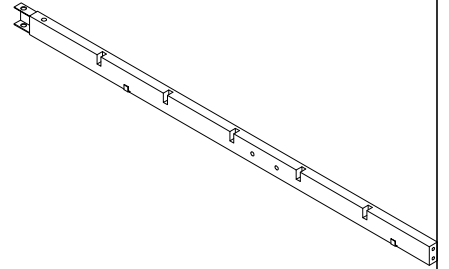
Part list



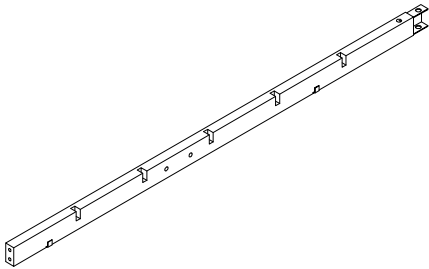
①X1



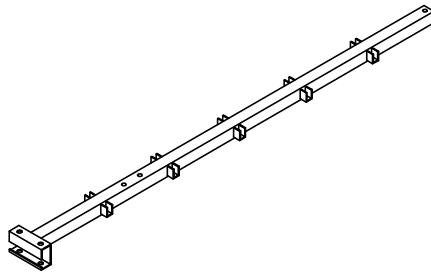
②X1



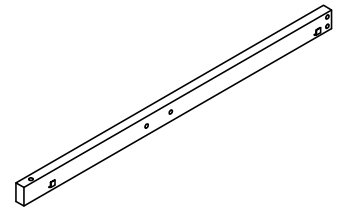
③X1



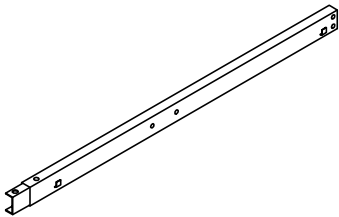
④X1



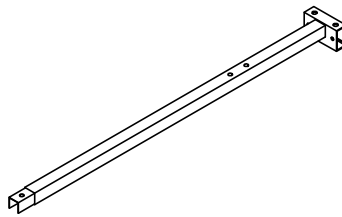
⑤X2



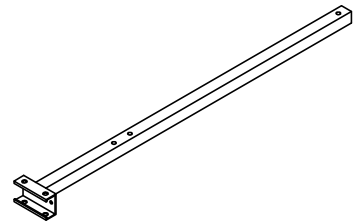
⑥X2



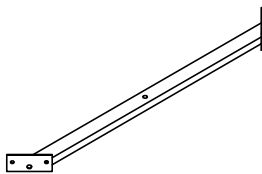
⑦X2



⑧X1



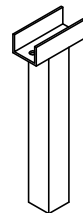
⑨X1



⑩X4

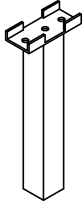


⑪X4

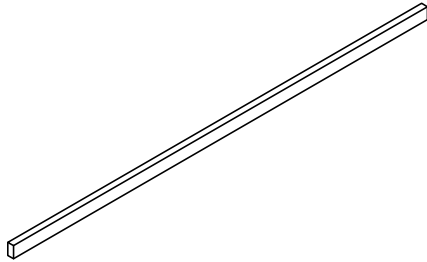


⑫X4

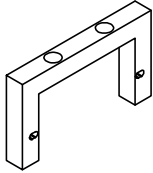
Part list



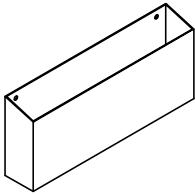
⑬X1



⑭X20

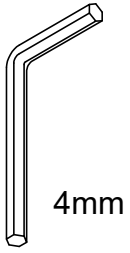


⑮X1

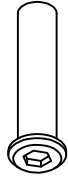


⑯X1

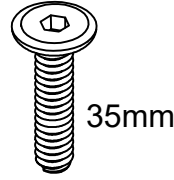
Hardware list



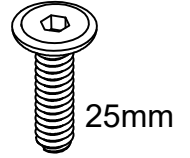
Ⓐ X1



Ⓑ X8



Ⓒ X31



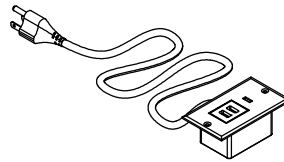
Ⓓ X18



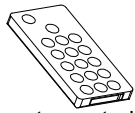
Ⓔ X2



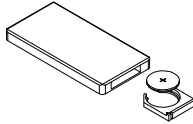
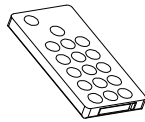
Ⓕ X2



Ⓖ X1



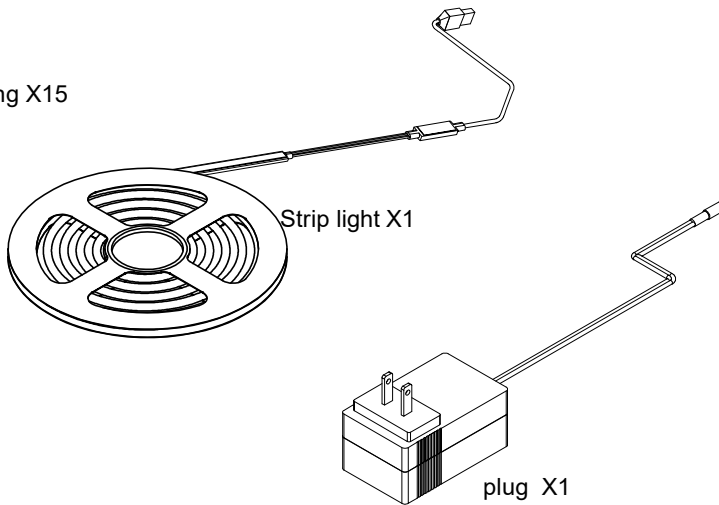
remote control X1



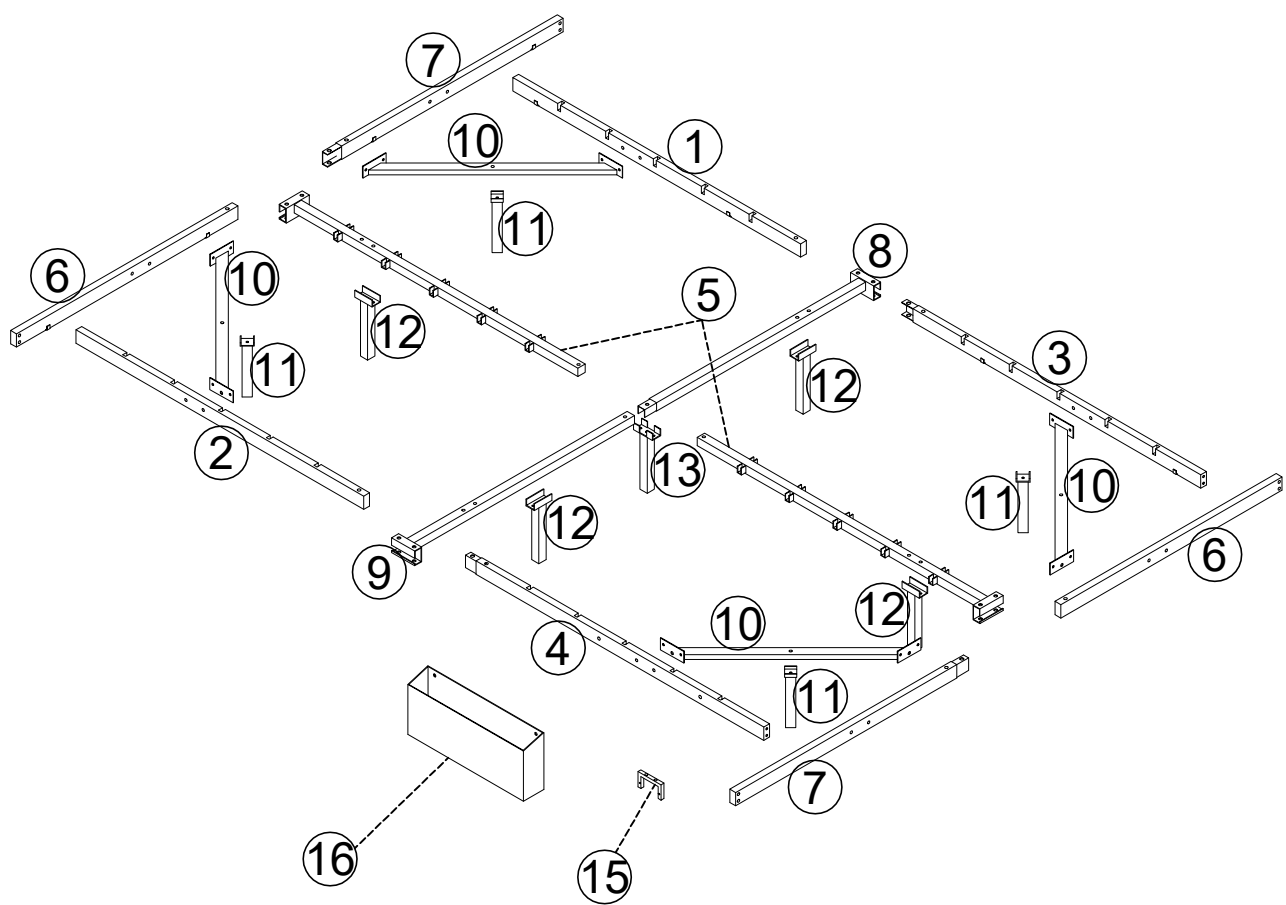
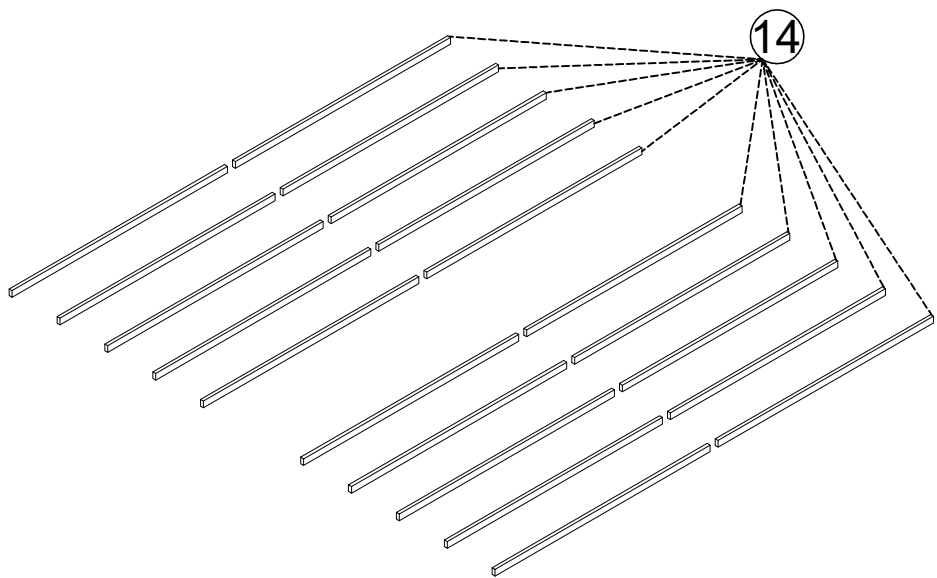
Please remove the plastic film here before using the remote control.



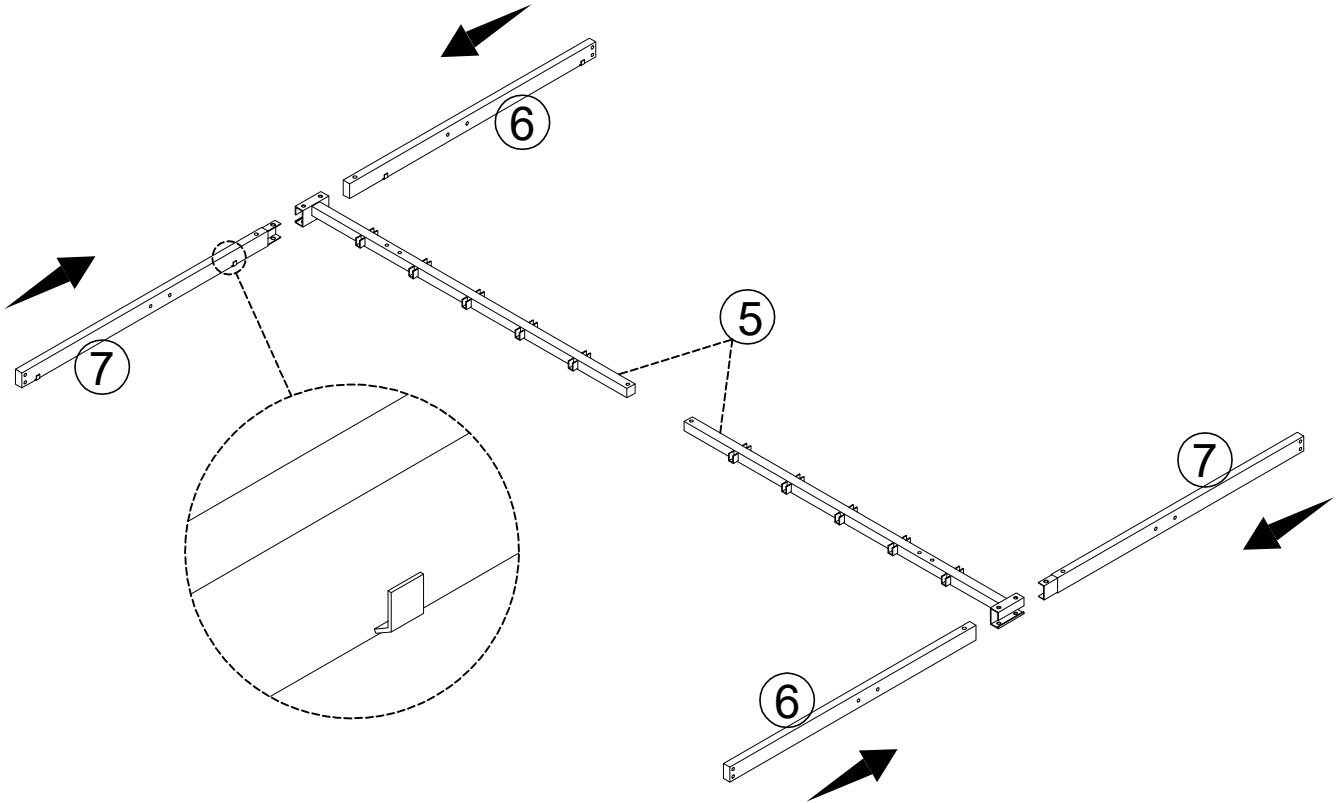
Snap fastening X15



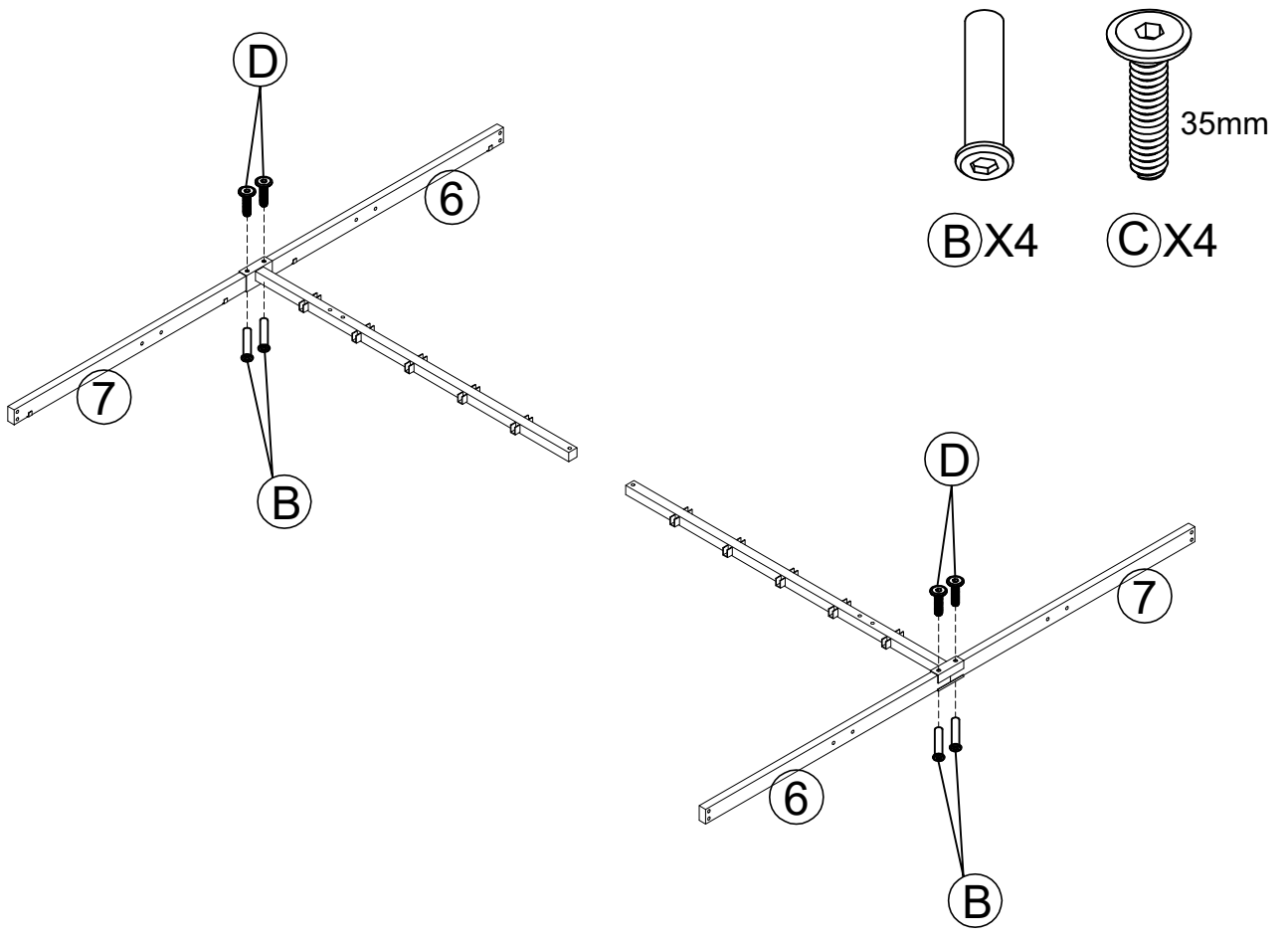
Ⓕ X1



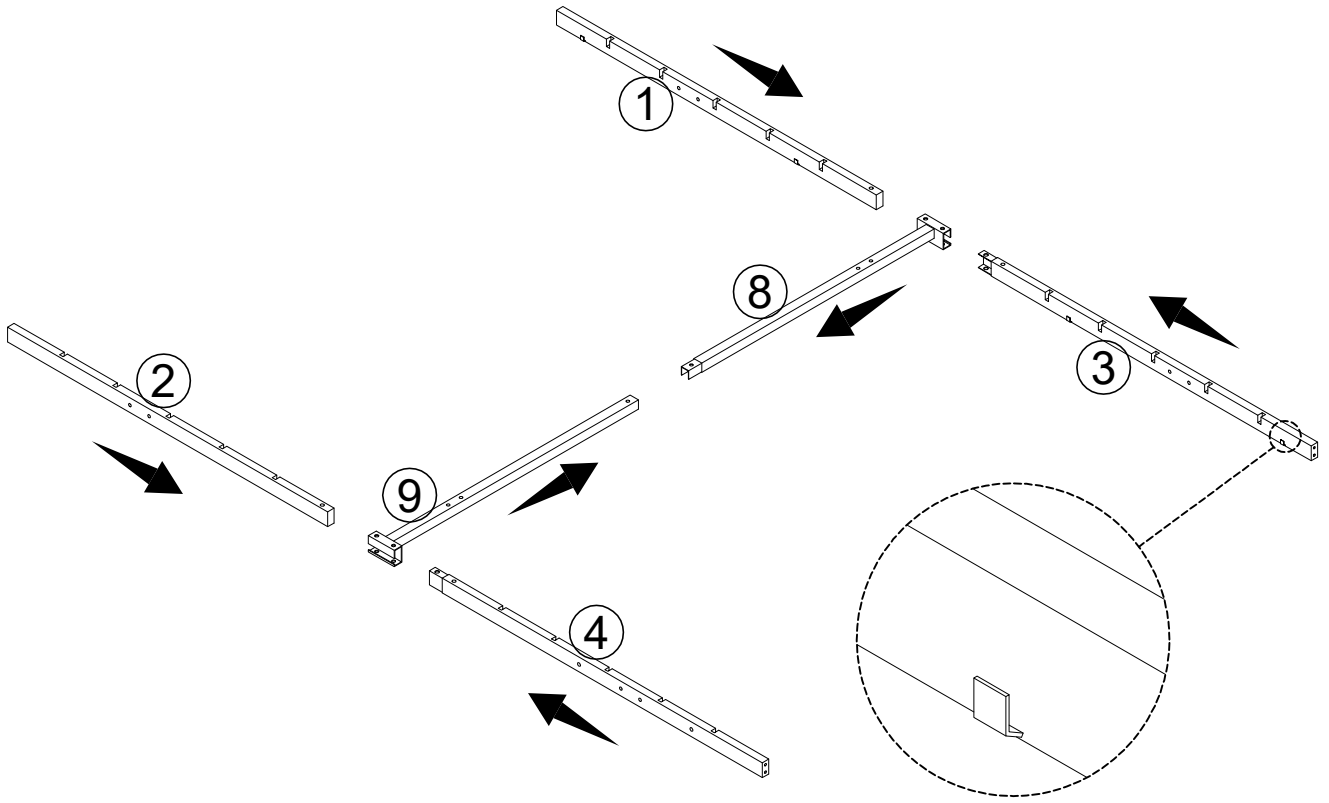
1



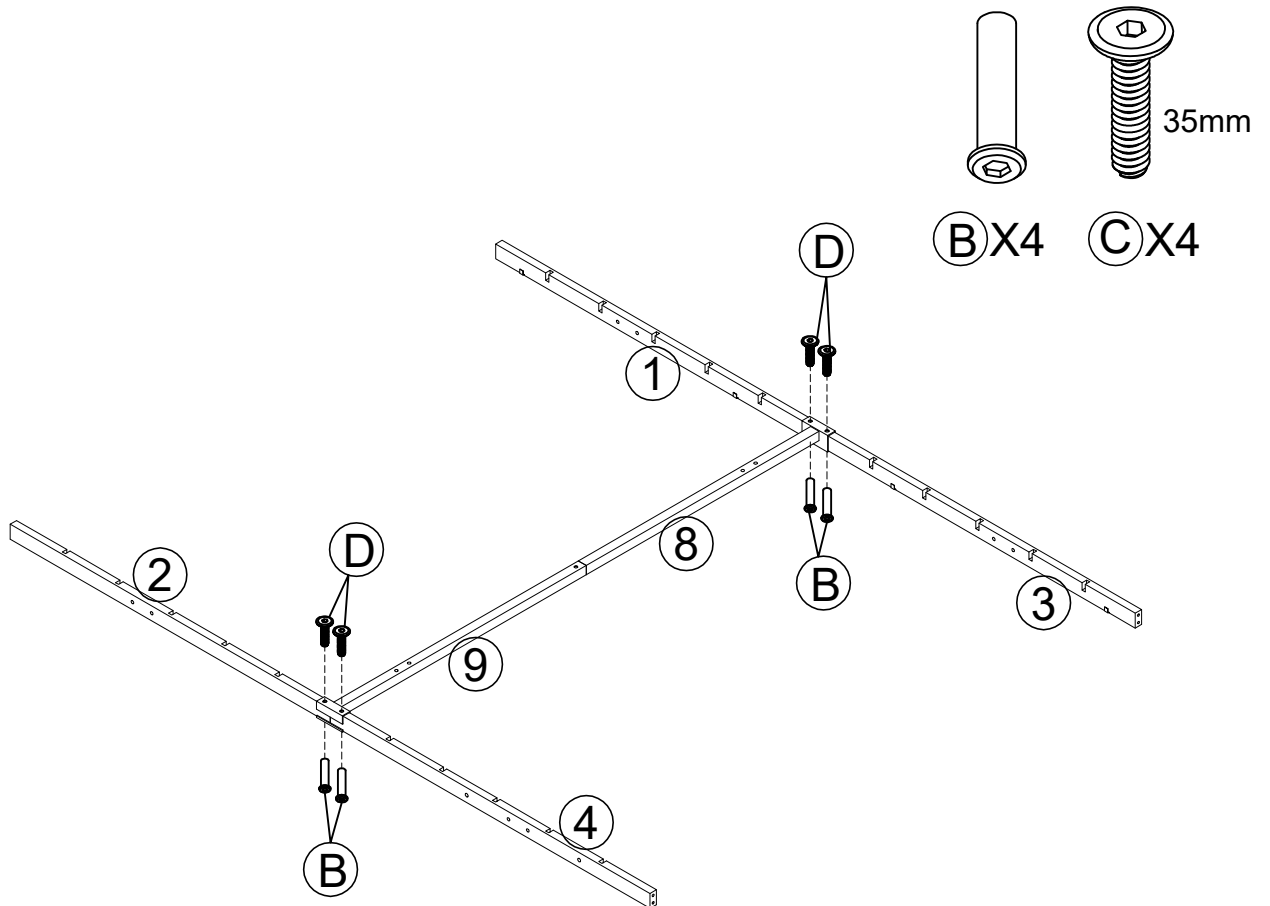
2



3



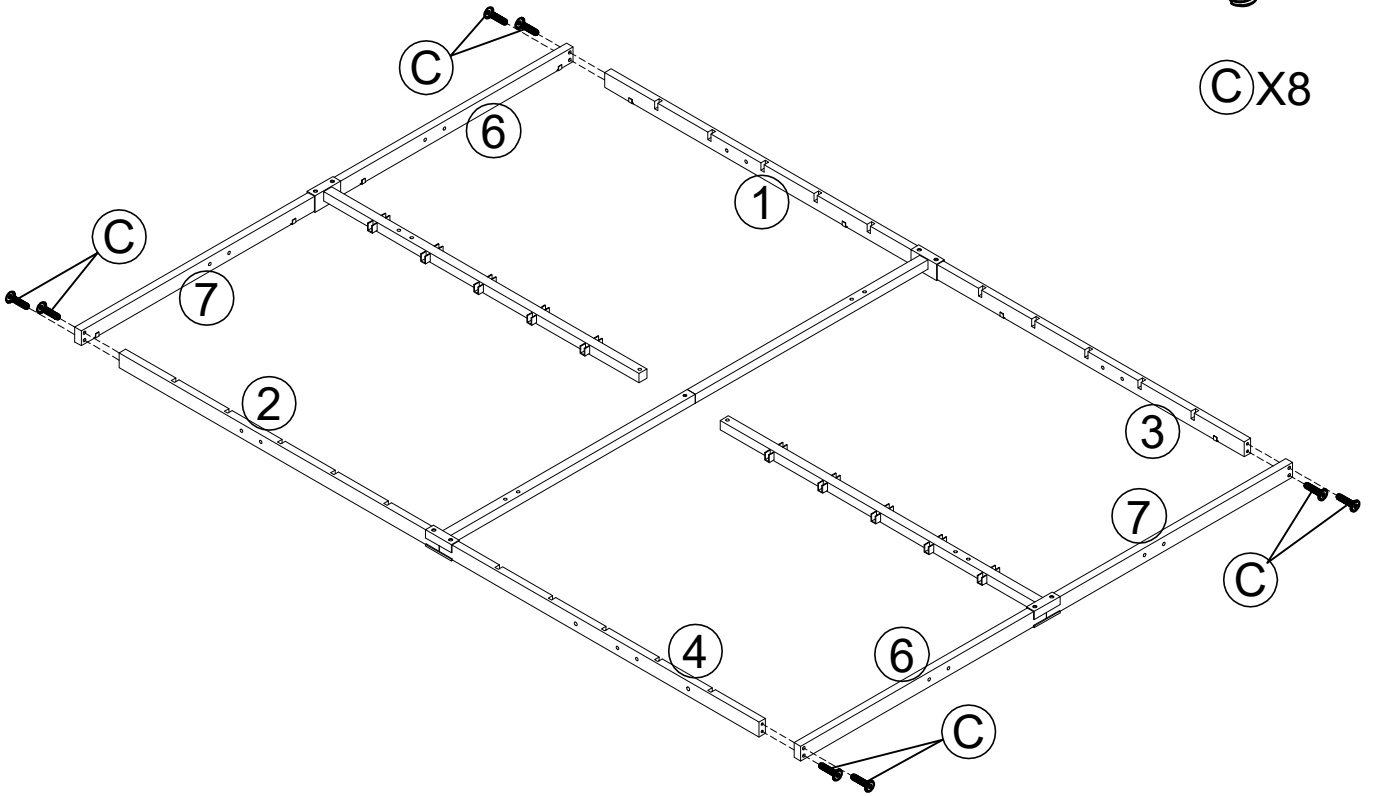
4



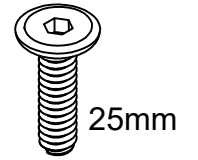
5



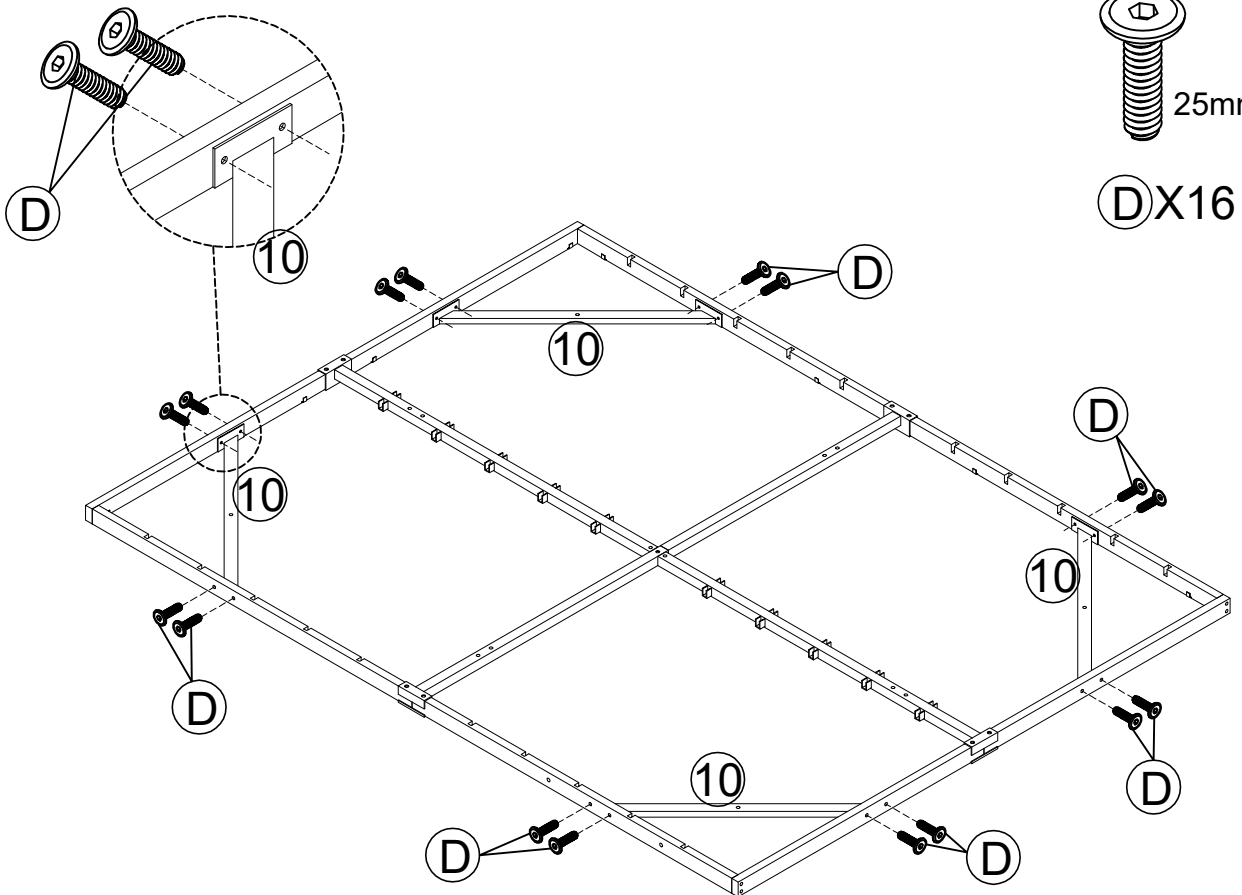
C X8



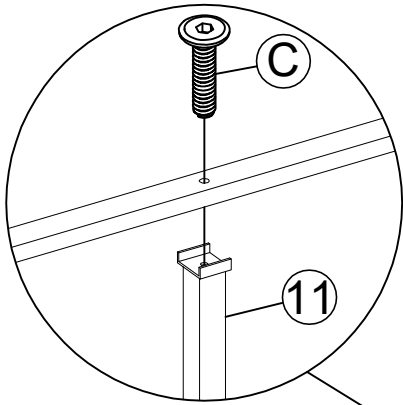
6



D X16

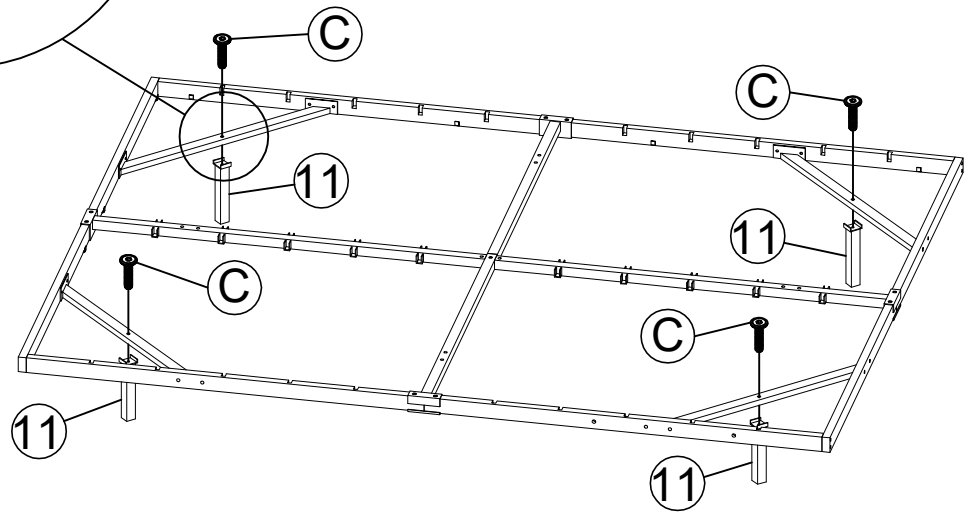


7

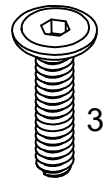


35mm

C X4

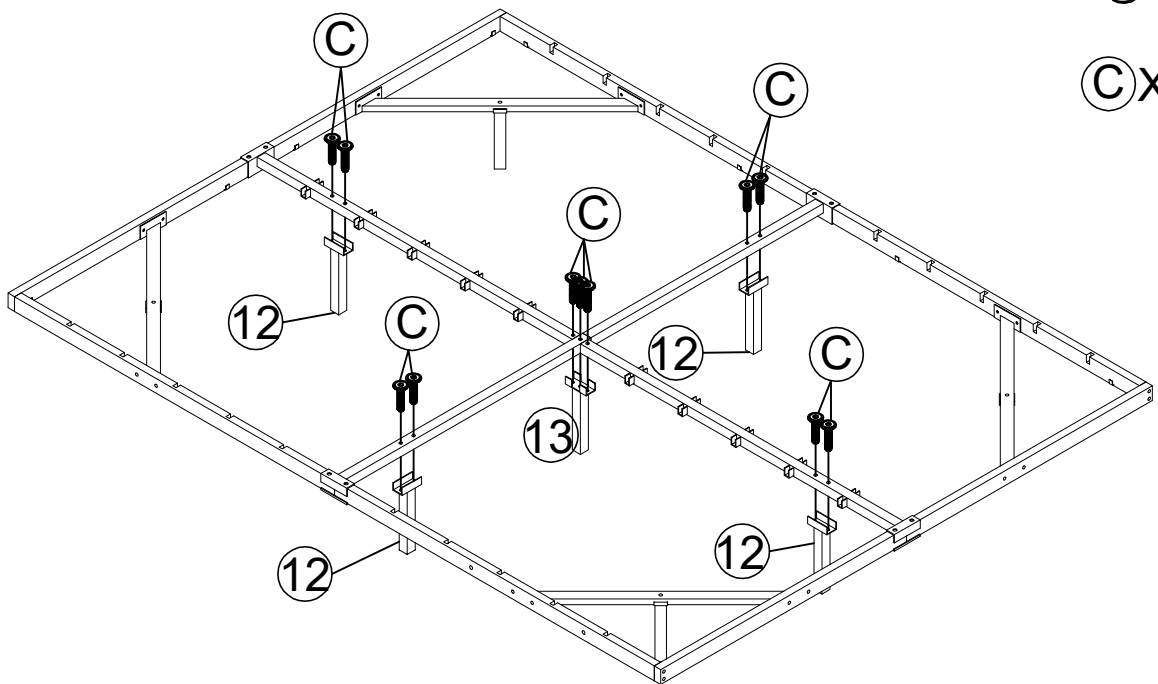


8



35mm

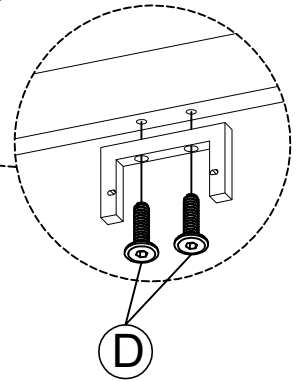
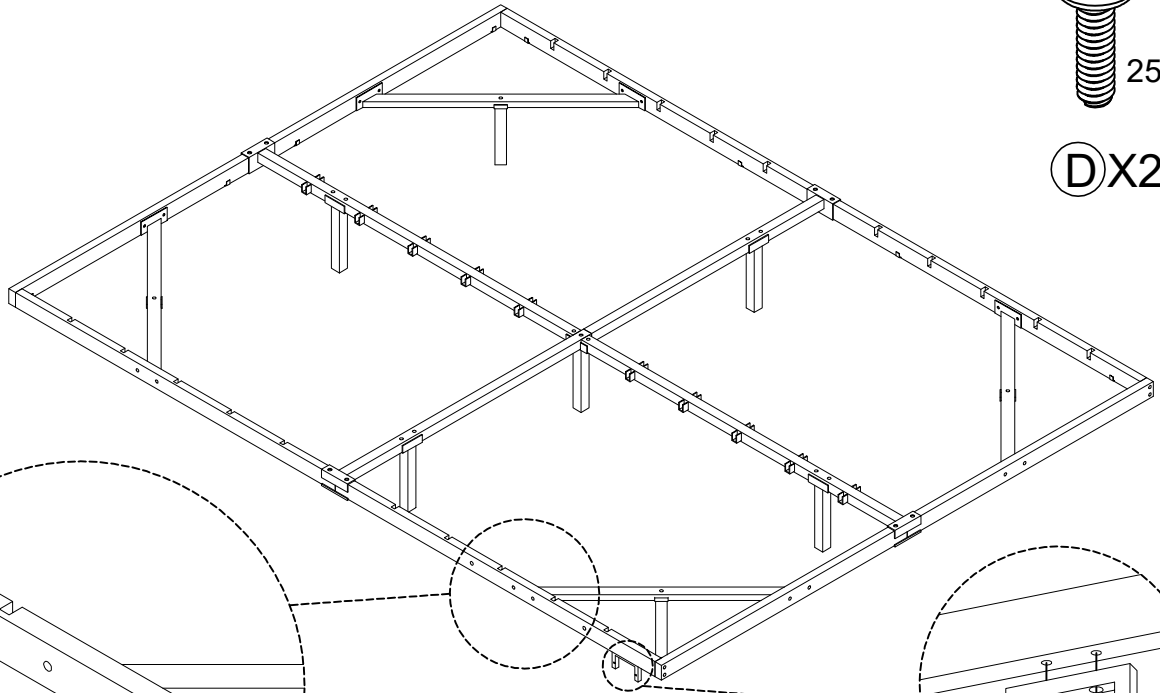
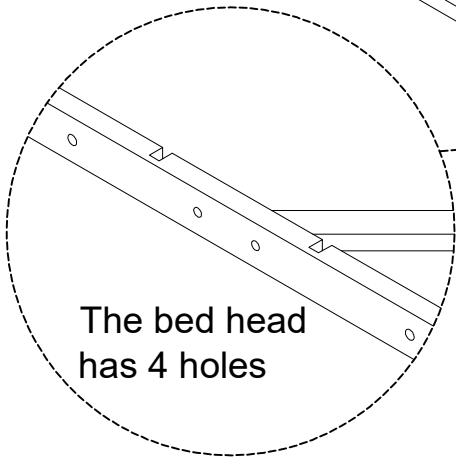
C X11



9



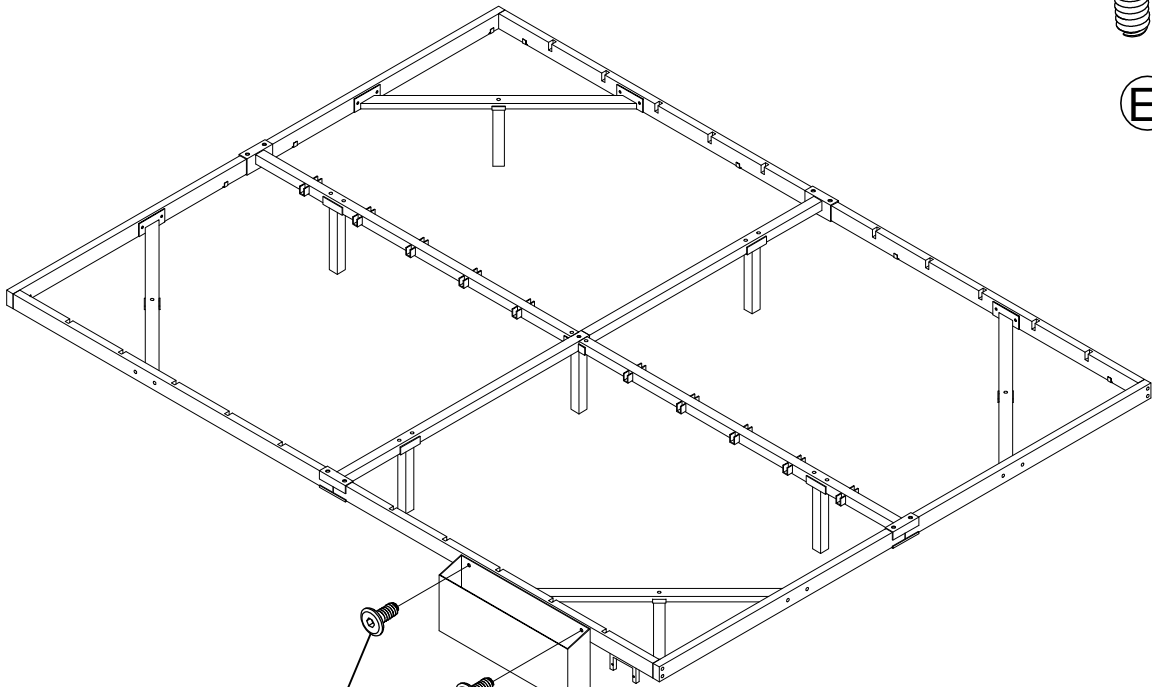
(D) X2



10



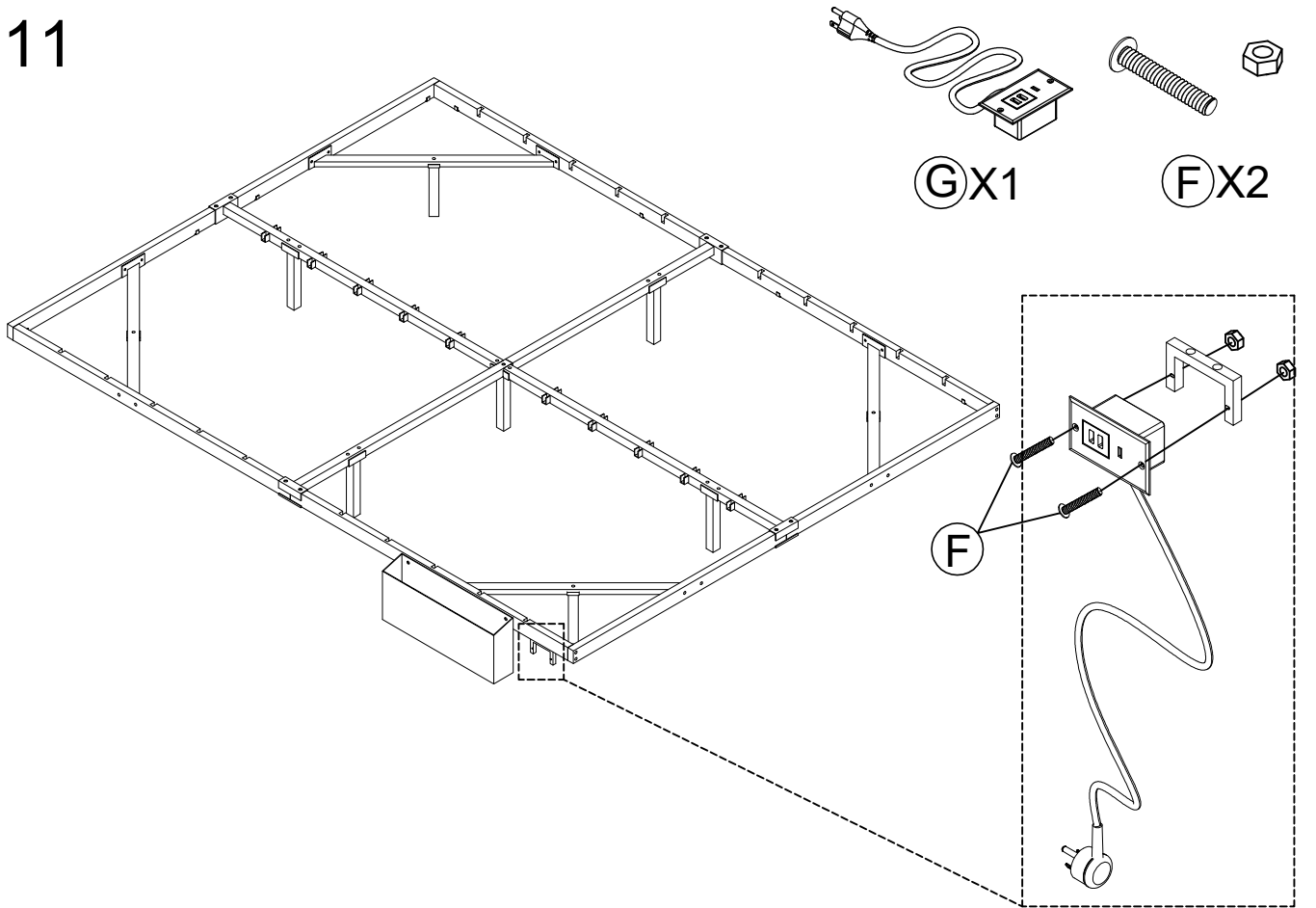
(E) X2



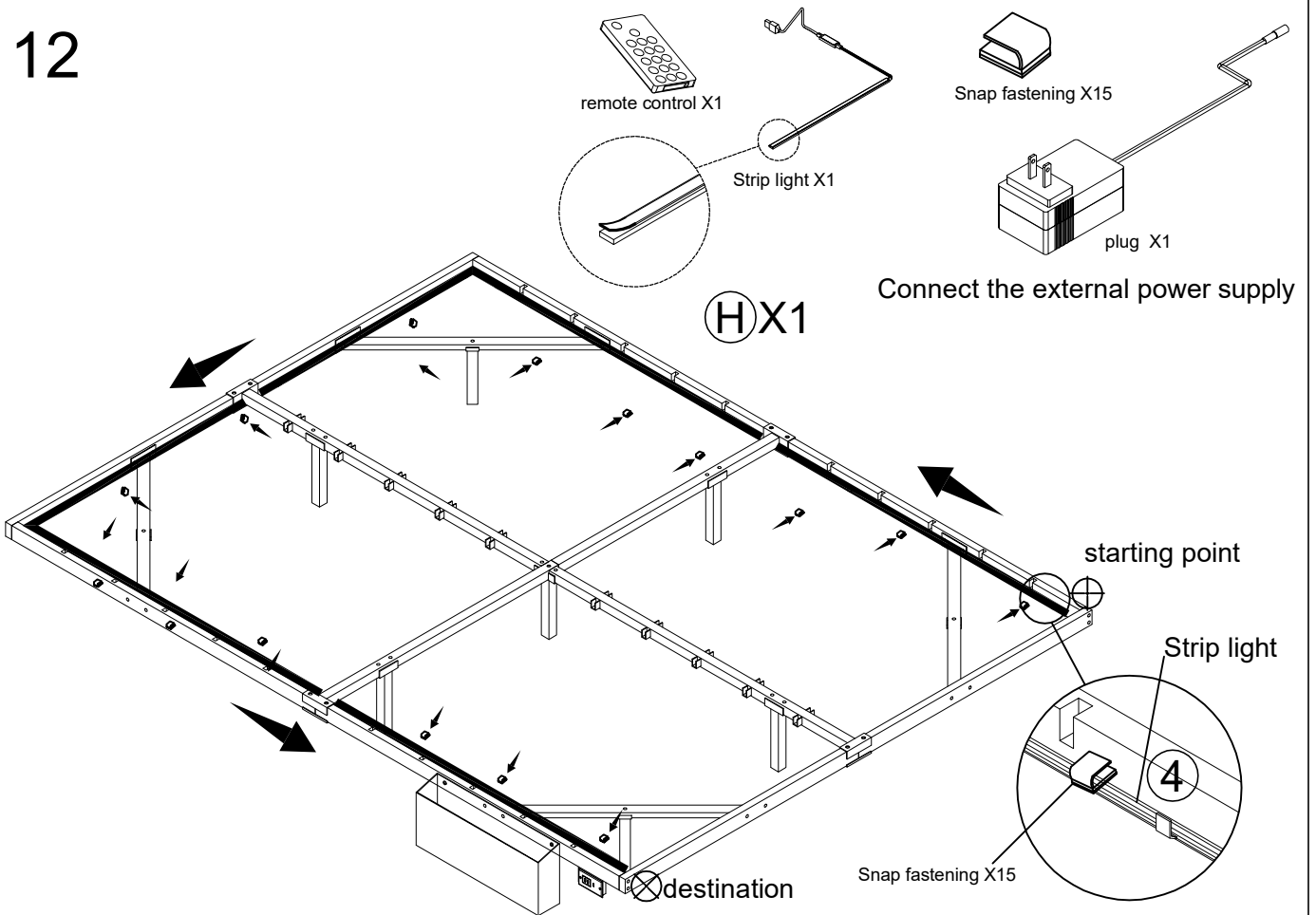
(E)

(16)

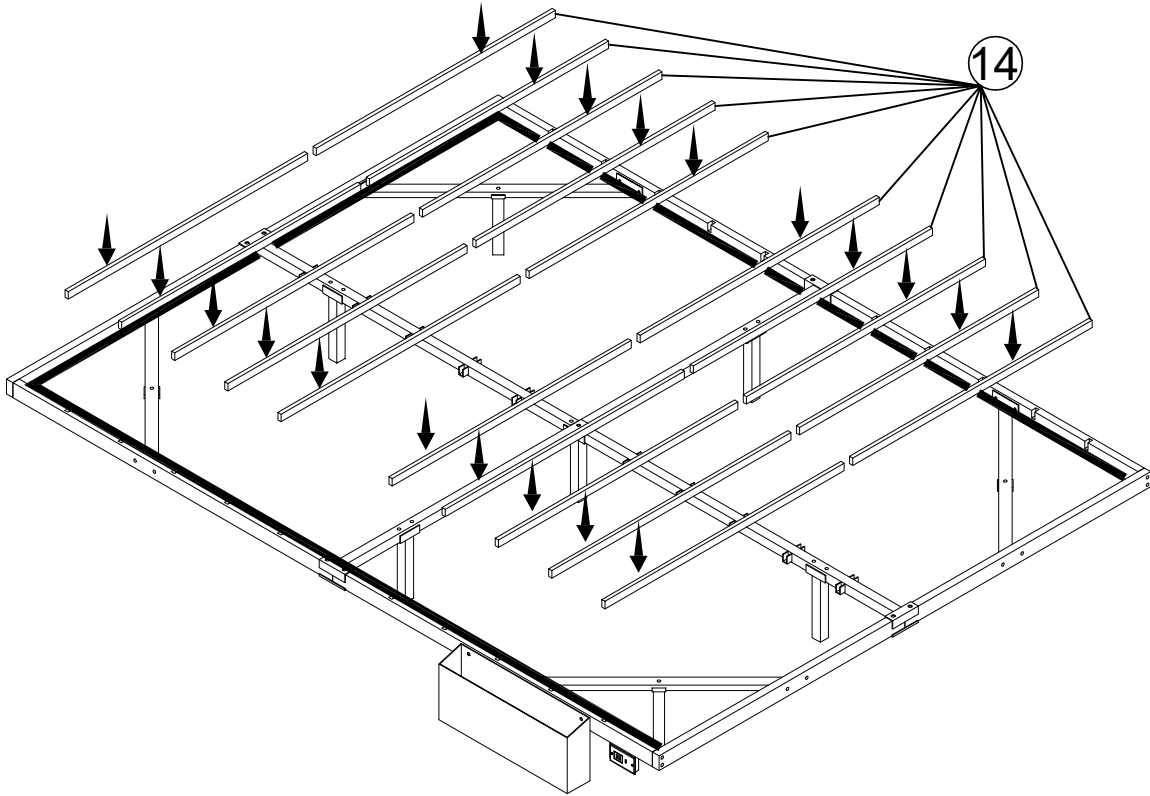
11



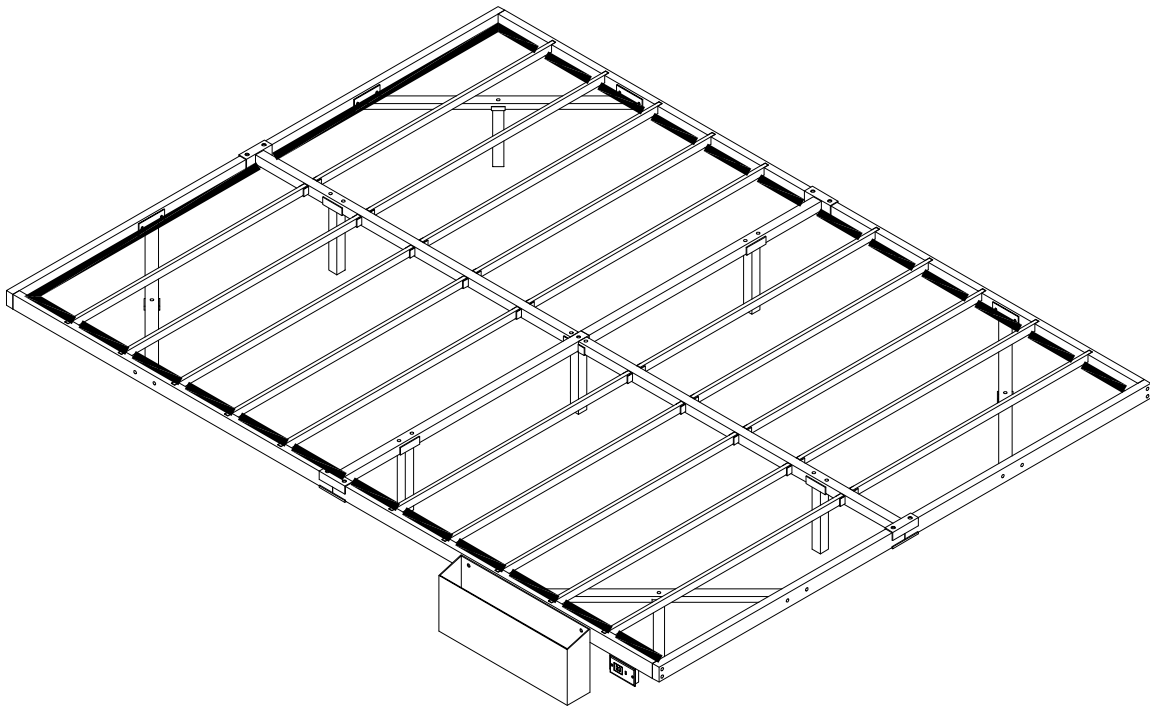
12



13



14



congrats! You're done!