

## General Guidelines

- Please read the following instruction carefully and use the product accordingly.
- Please keep this manual and hand it over when you transfer the product.
- This summary may not include every detail of all variations and considered steps. Please contact us when further information and help are needed.

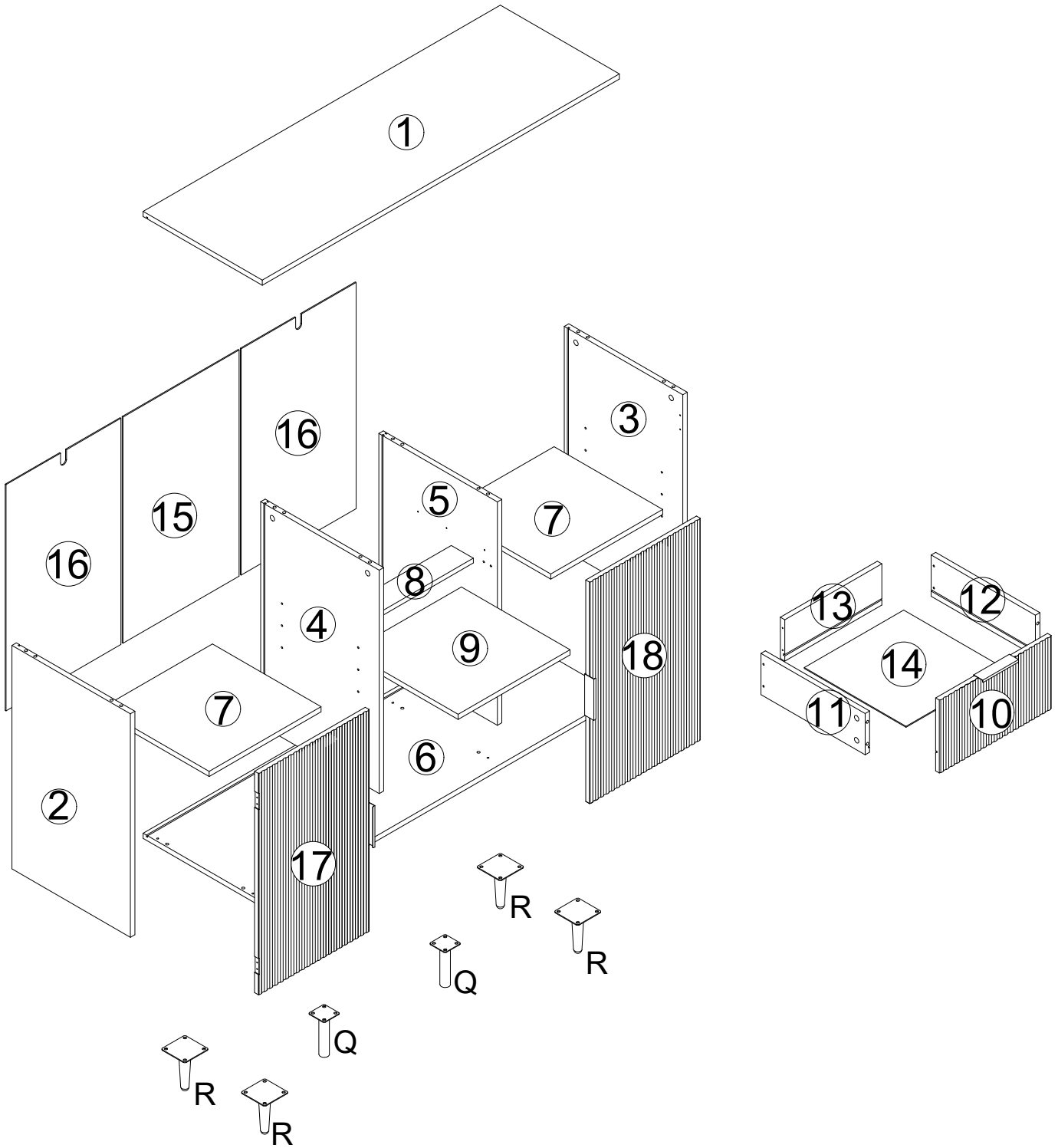
## Notes

- The product is intended for indoor use only. The product must be assembled and used in accordance with the provisions of the manual. Personal injury and/or damage to product may occur if products are used outside of their intended purposes and/or if products have been changed/modified from their original design. The seller does not assume any responsibility or liability with respect to any injury/damage caused by incorrect assembly or improper use.
- Avoid long-term exposure to humid environments to prevent mildew.
- Keep the product away from fire sources and high temperatures. Do not expose the product to direct sunlight.
- Do not place any hot objects on the surface of the product.
- If there are any defective or missing parts after unpacking, please cease assembly immediately and contact us.
- Please assemble the item on a spacious surface and do not place the unwrapped product directly on the ground to avoid product damage.
- Please do not stand or sit on the wooden boards.
- Please wear gloves during the assembly and/or disassembly process to avoid scratches from any sharp edges.
- Please match the corresponding part and fitting based on the part number in the manual.
- If the part does not match with the fitting, please check the piece as specified in this manual.
- During assembly, first loosely align all screws with the corresponding pre-drilled holes and then tighten the screws one by one.
- Periodically inspect screw tightness while the product is in use. If necessary, retighten to ensure structural integrity.
- If you accidentally spill water or another liquid on the surface, immediately wipe clean with a dry towel.
- Please keep the product away from sharp, pointed objects and corrosive substances to prevent product damage.
- Please place this item on level, solid ground during use.

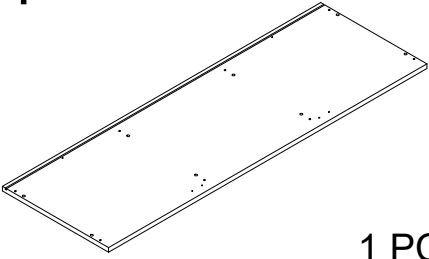
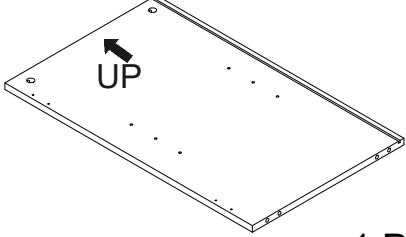
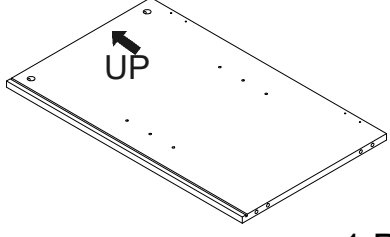
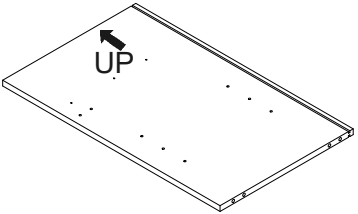
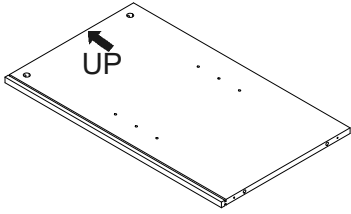
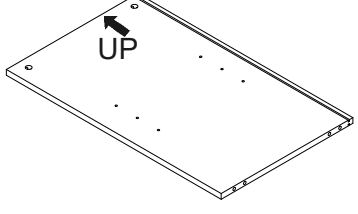
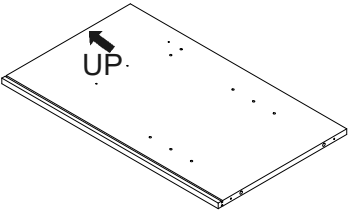
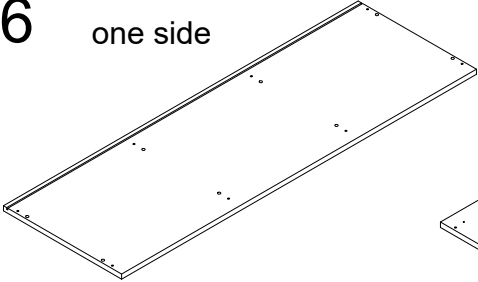
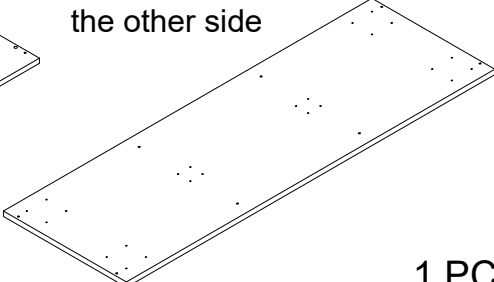
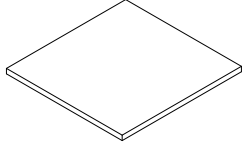
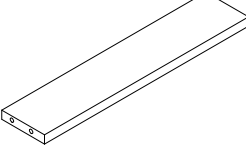
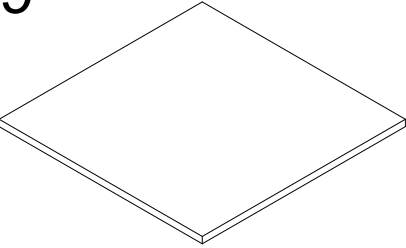
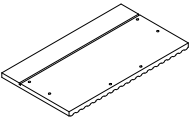
## Warnings

- During assembly, keep all small parts out of the reach of children. It may be fatal if swallowed or inhaled.
- Children should not climb or play on the product in order to avoid tipping over the furniture and causing serious injury.
- To avoid the potential dangers of suffocation, please keep all parts and packaging (film, plastic bags, foam, etc.) away from babies and children.
- Keep sharp objects and corrosive items away from the product to avoid any damage or injury.
- Do not shake or move violently during use to avoid tipping over the product.

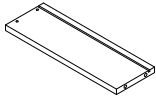
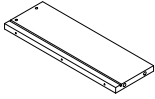
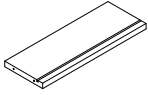
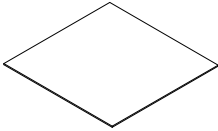
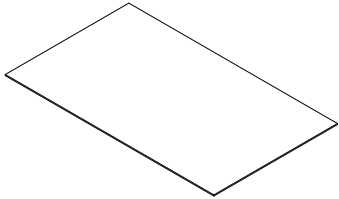
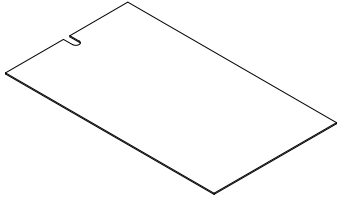
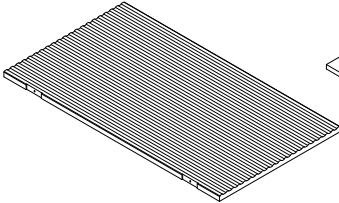
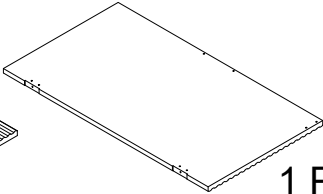
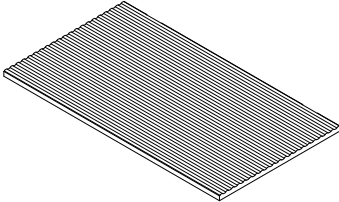
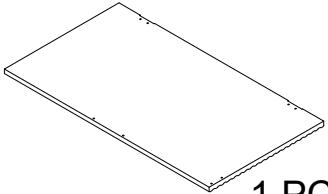
# Parts List



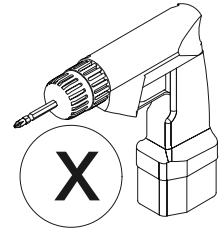
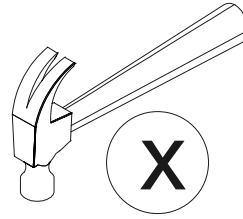
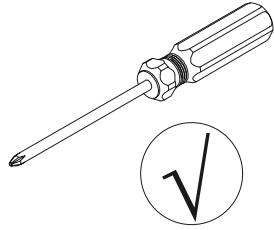
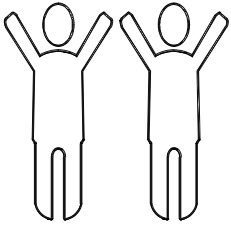
# Parts List

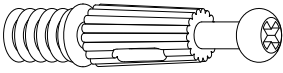
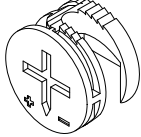
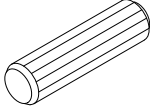

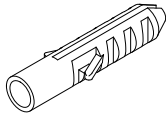
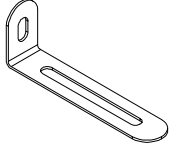
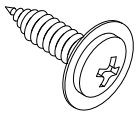
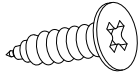
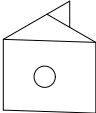
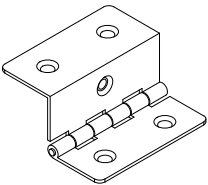
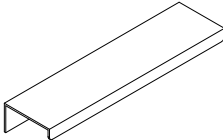
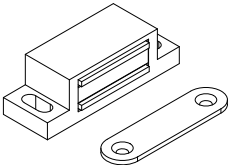
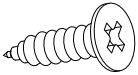
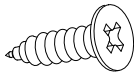
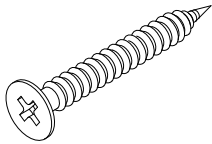
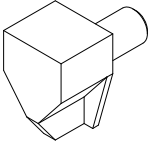
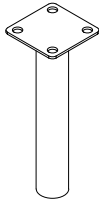
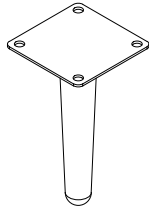
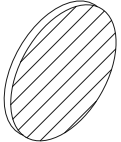
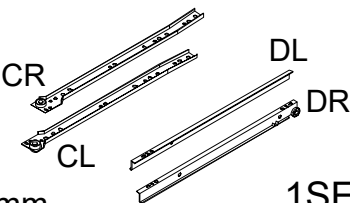
<p><b>1</b></p>  <p>1 PC</p>	<p><b>2</b></p>  <p>1 PC</p>	<p><b>3</b></p>  <p>1 PC</p>	
<p><b>4</b> one side</p>  <p><b>the other side</b></p>  <p>1 PC</p>		<p><b>5</b> one side</p>  <p><b>the other side</b></p>  <p>1 PC</p>	
<p><b>6</b> one side</p>  <p><b>the other side</b></p>  <p>1 PC</p>		<p><b>7</b></p>  <p>2 PCS</p>	
<p><b>8</b></p>  <p>1 PC</p>	<p><b>9</b></p>  <p>1 PC</p>	<p><b>10</b></p>  <p>1 PC</p>	

# Parts List

<p>11</p>  <p>1 PC</p>	<p>12</p>  <p>1 PC</p>	<p>13</p>  <p>1 PC</p>	
<p>14</p>  <p>1 PC</p>	<p>15</p>  <p>1 PC</p>	<p>16</p>  <p>2PCS</p>	
<p>17</p> <p>one side</p>  <p>the other side</p>  <p>1 PC</p>		<p>18</p> <p>one side</p>  <p>the other side</p>  <p>1 PC</p>	

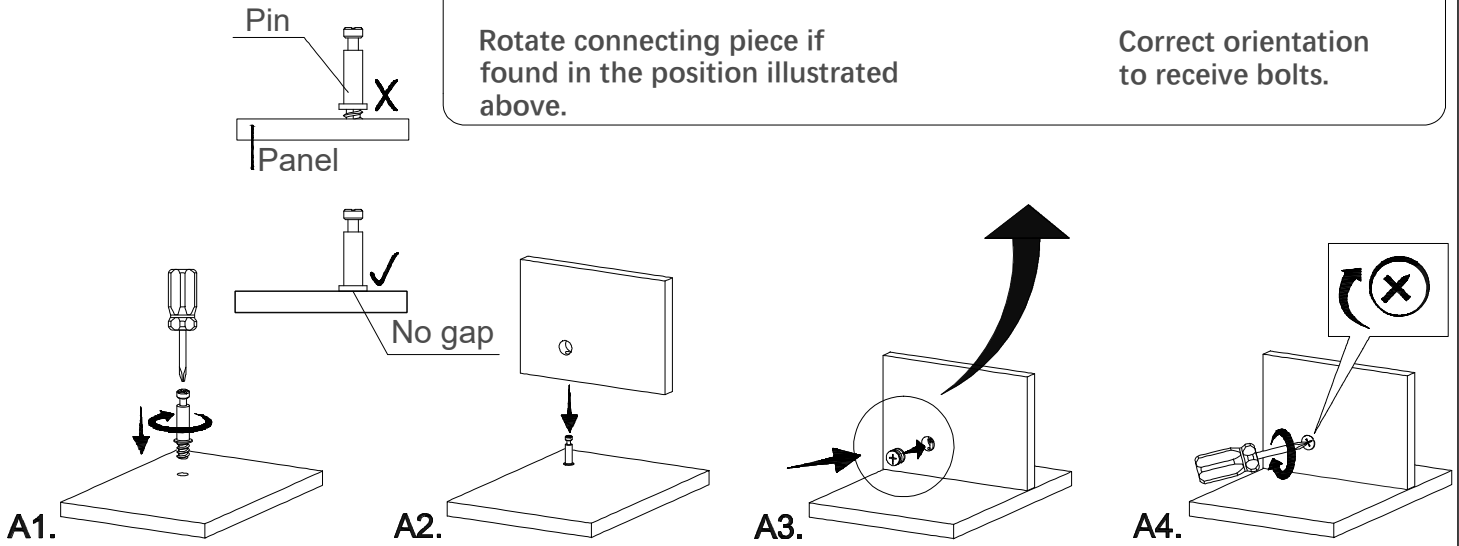
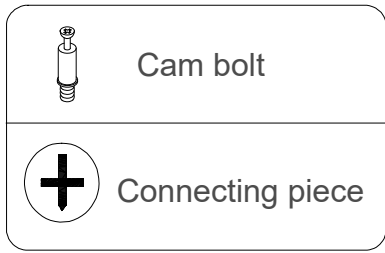
# Hardware List



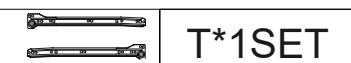
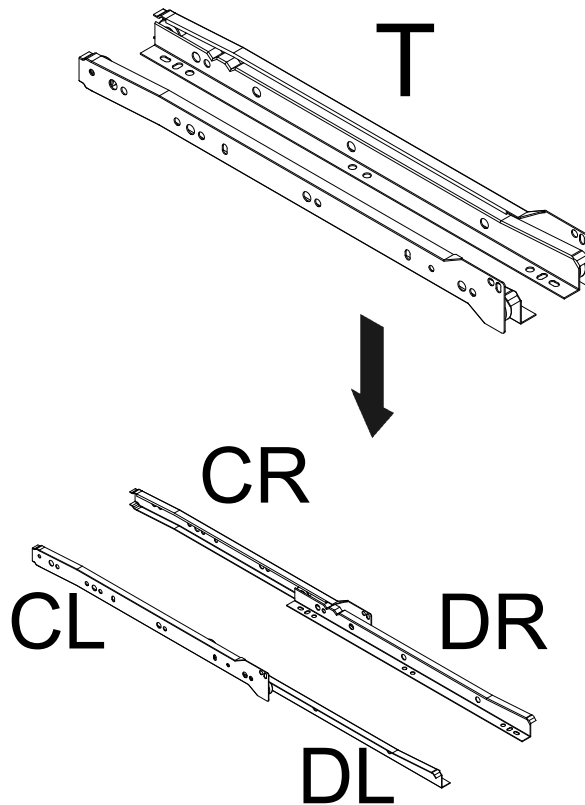
<p><b>A</b></p>  <p>Ø6x36mm      16PCS</p>	<p><b>B</b></p>  <p>Ø15x9.2mm      16PCS</p>	<p><b>C</b></p>  <p>Ø8*30mm      16PCS</p>
<p><b>D</b></p>  <p>M5x38mm      2PCS</p>	<p><b>E</b></p>  <p>Ø8x40mm      2PCS</p>	<p><b>F</b></p>  <p>65x32x15      2 PCS</p>
<p><b>G</b></p>  <p>M3x12mm      2PCS</p>	<p><b>H</b></p>  <p>M3.5x16mm      18PCS</p>	<p><b>I</b></p>  <p>12.5x14x9.5      12 PSC</p>
<p><b>J</b></p>  <p>42*20*1mm (23)      4PCS</p>	<p><b>K</b></p>  <p>120*31*16mm (96)      3PCS</p>	<p><b>L</b></p>  <p>45*15*14mm      2PCS</p>
<p><b>M</b></p>  <p>M3.5x14mm      42PCS</p>	<p><b>N</b></p>  <p>M4x14mm      24PCS</p>	<p><b>O</b></p>  <p>M3.5x40mm      12PCS</p>
<p><b>P</b></p>  <p>12PCS</p>	<p><b>Q</b></p>  <p>150H      2PCS</p>	<p><b>R</b></p>  <p>150H      4PCS</p>
<p><b>S</b></p>  <p>Ø20mm      8PCS</p>	<p><b>T</b></p>  <p>350mm      1SET</p>	

# Assembly Steps

## CAM BOLT INSTALLATION AS BELOW:



## STEP 1



# Assembly Steps

## STEP 2

UP

C

M

CL

M

M

T

UP

M

A

A

T

4

C

C

	A*2PCS
	C*4PCS
	M*3PCS
	T*1SET

Lock the slides onto the plate according to the **holes shown in the illustration.**

## STEP 3

UP

C

M

CR

M

M

M

T

UP

M

A

A

T

5

C

C

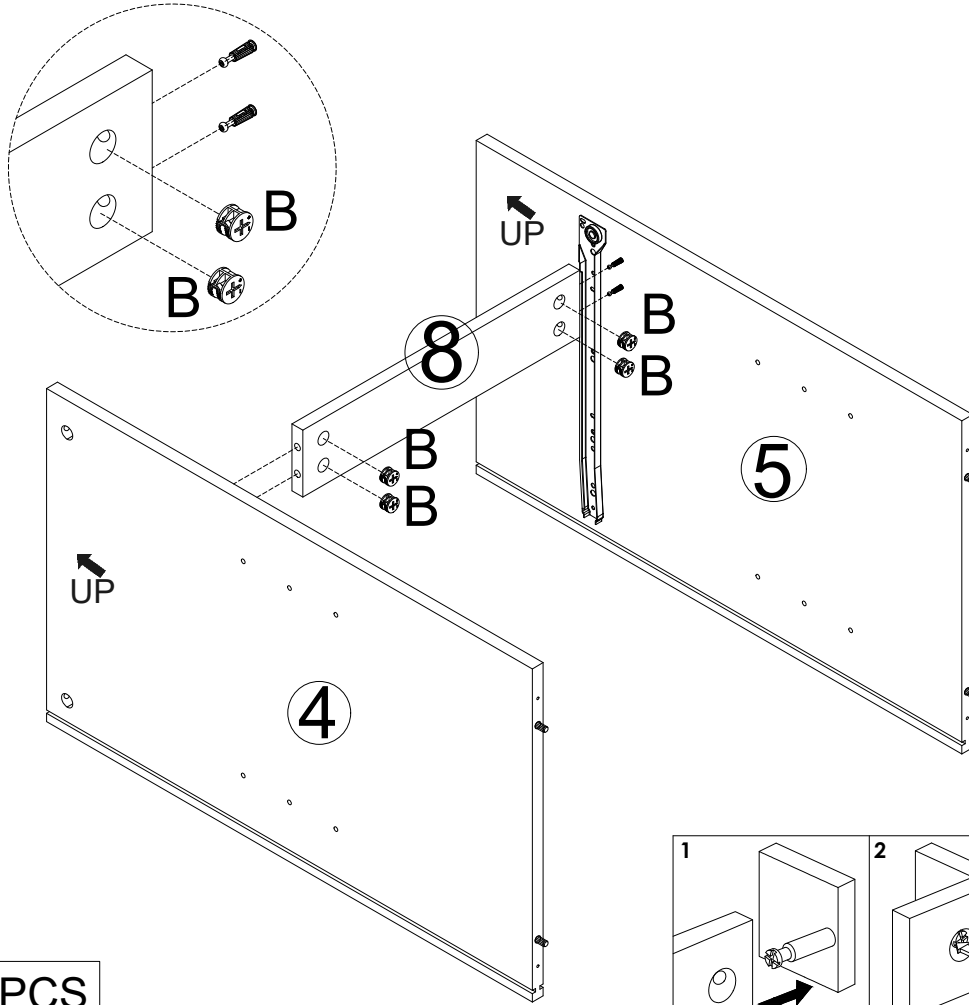
	A*2PCS
	C*4PCS
	M*3PCS
	T*1SET

Lock the slides onto the plate according to the **holes shown in the illustration.**



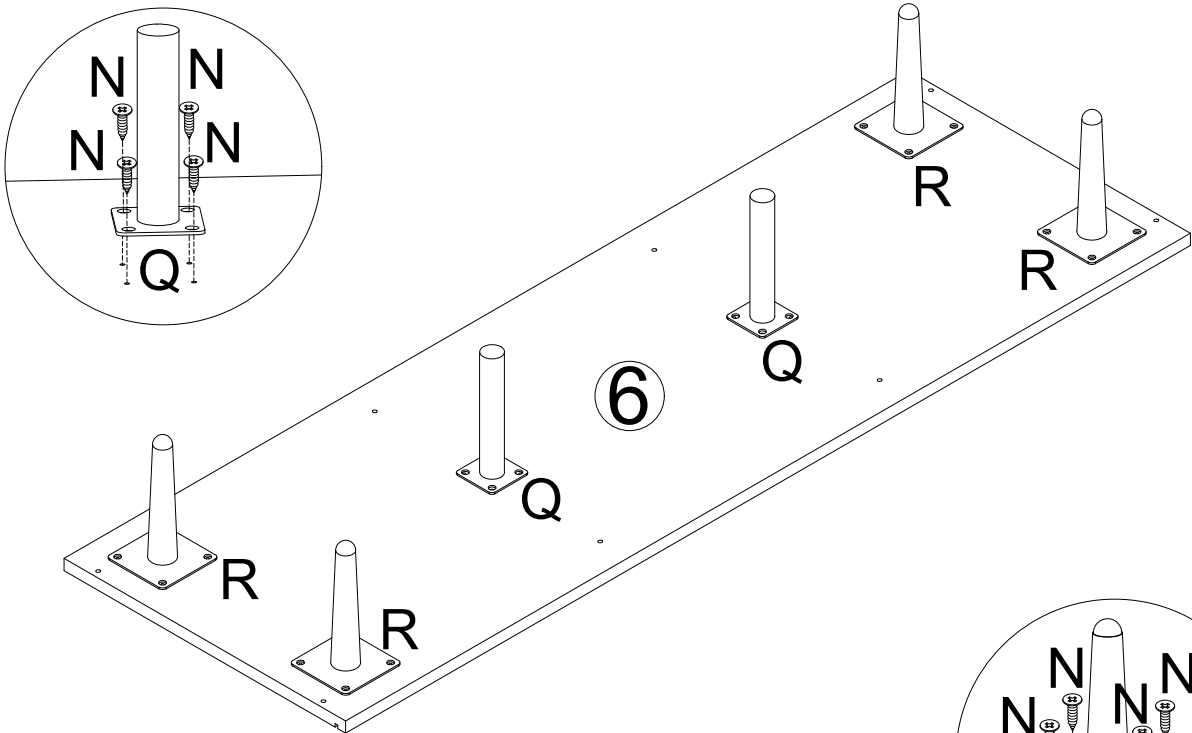
# Assembly Steps

## STEP 4



B\*4PCS

## STEP 5



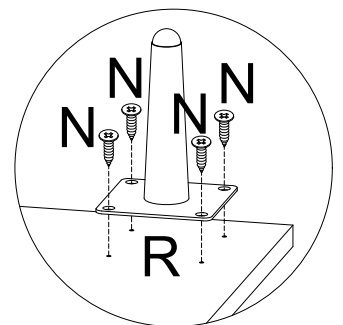
N\*24PCS



Q\*2PCS

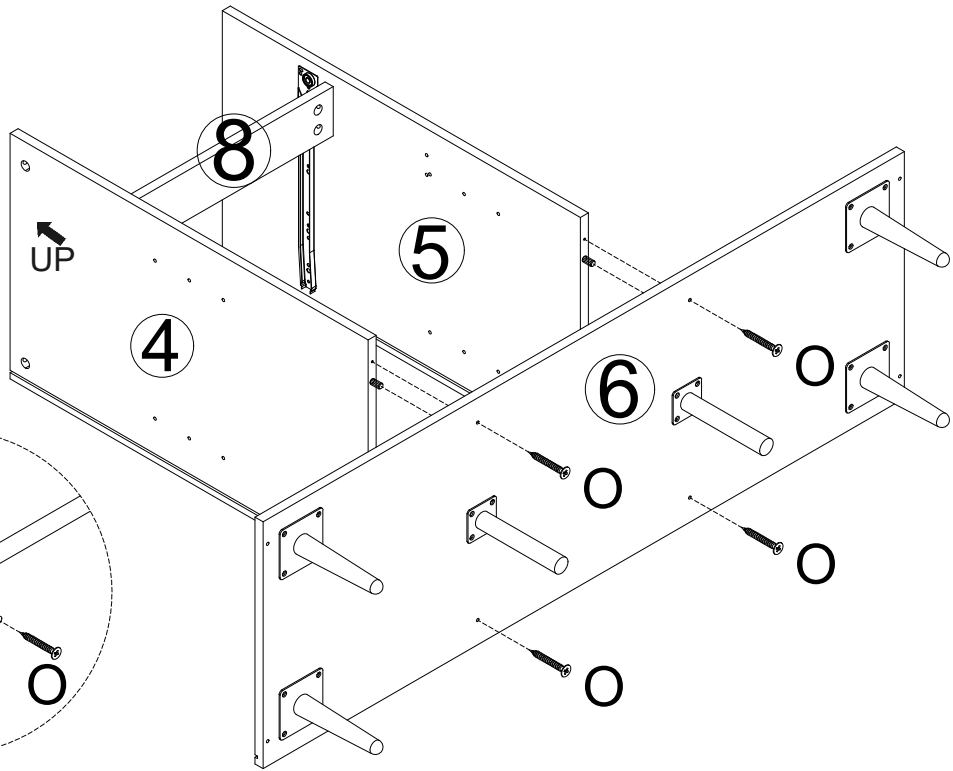
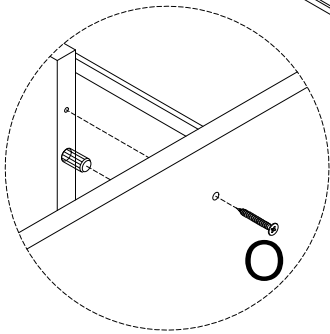
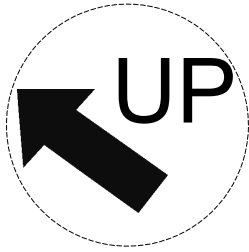


R\*4PCS



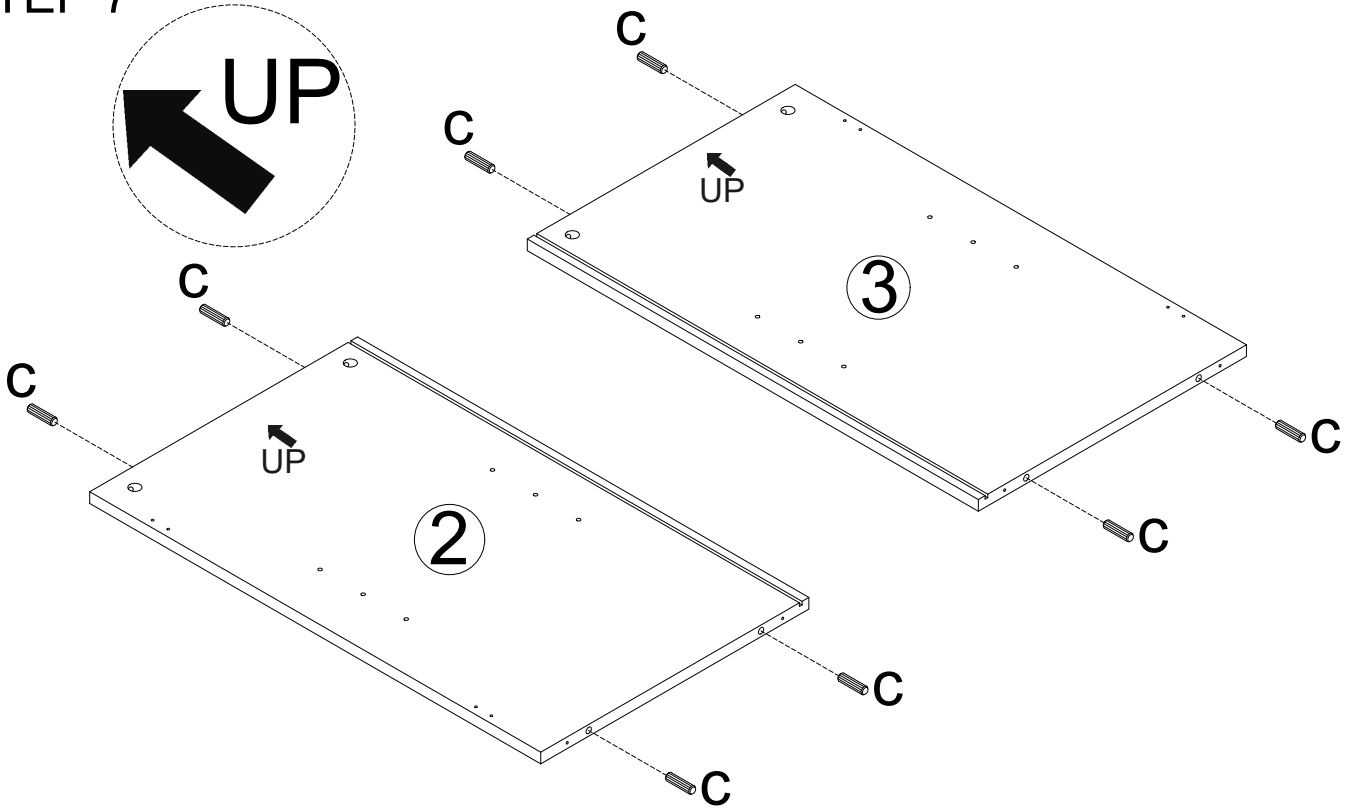
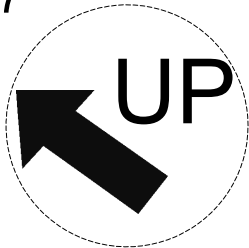
# Assembly Steps

## STEP 6



O\*4PCS

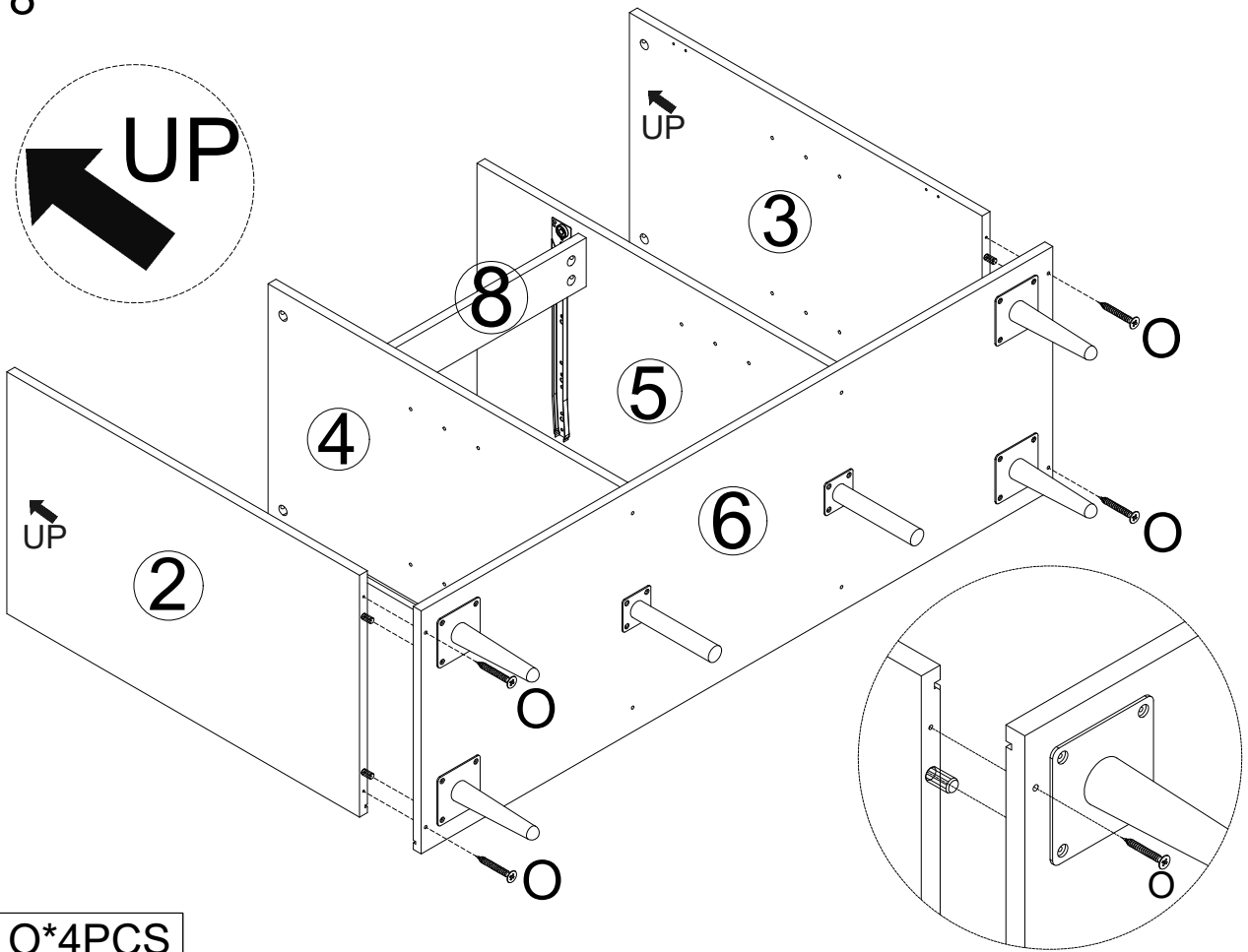
## STEP 7




C\*8PCS

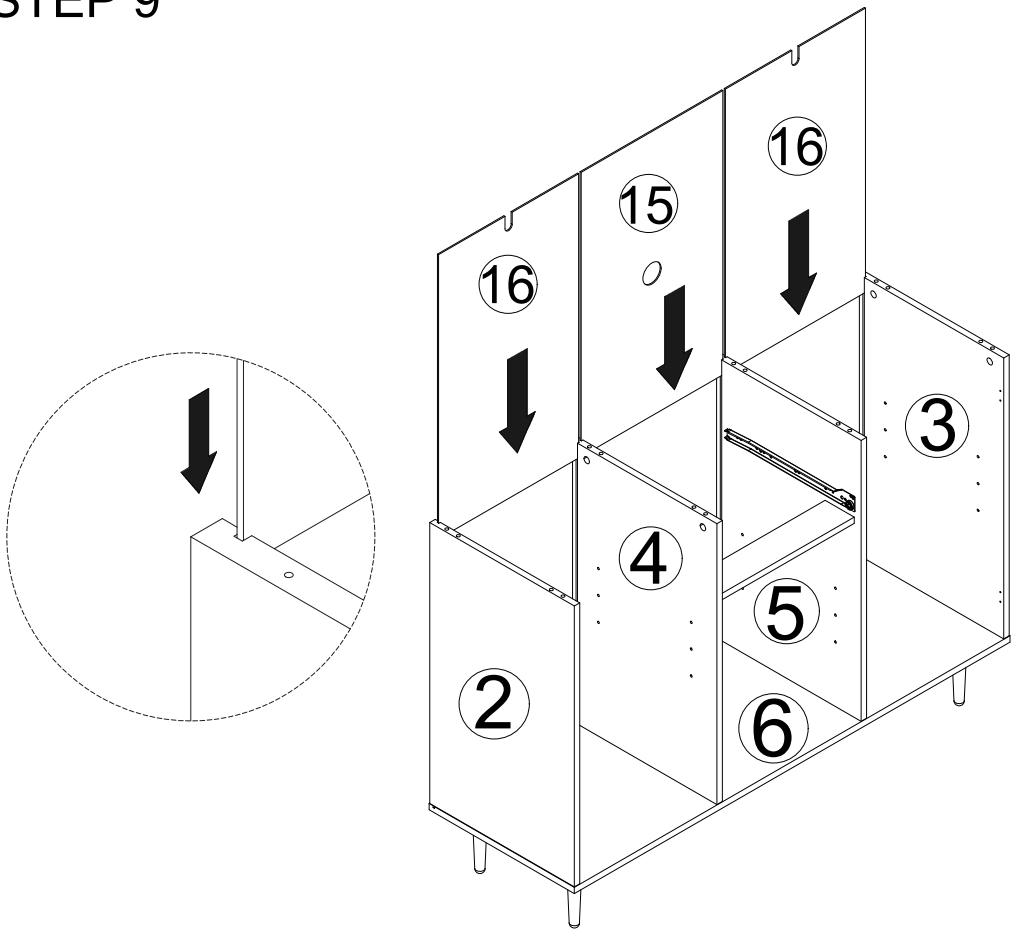
# Assembly Steps

## STEP 8



 O\*4PCS

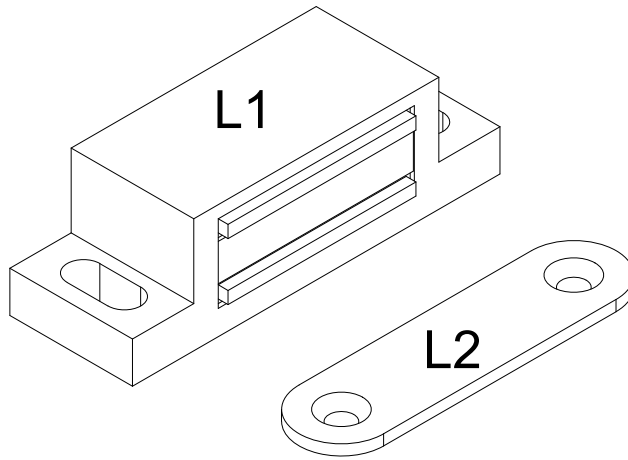
## STEP 9



# Assembly Steps

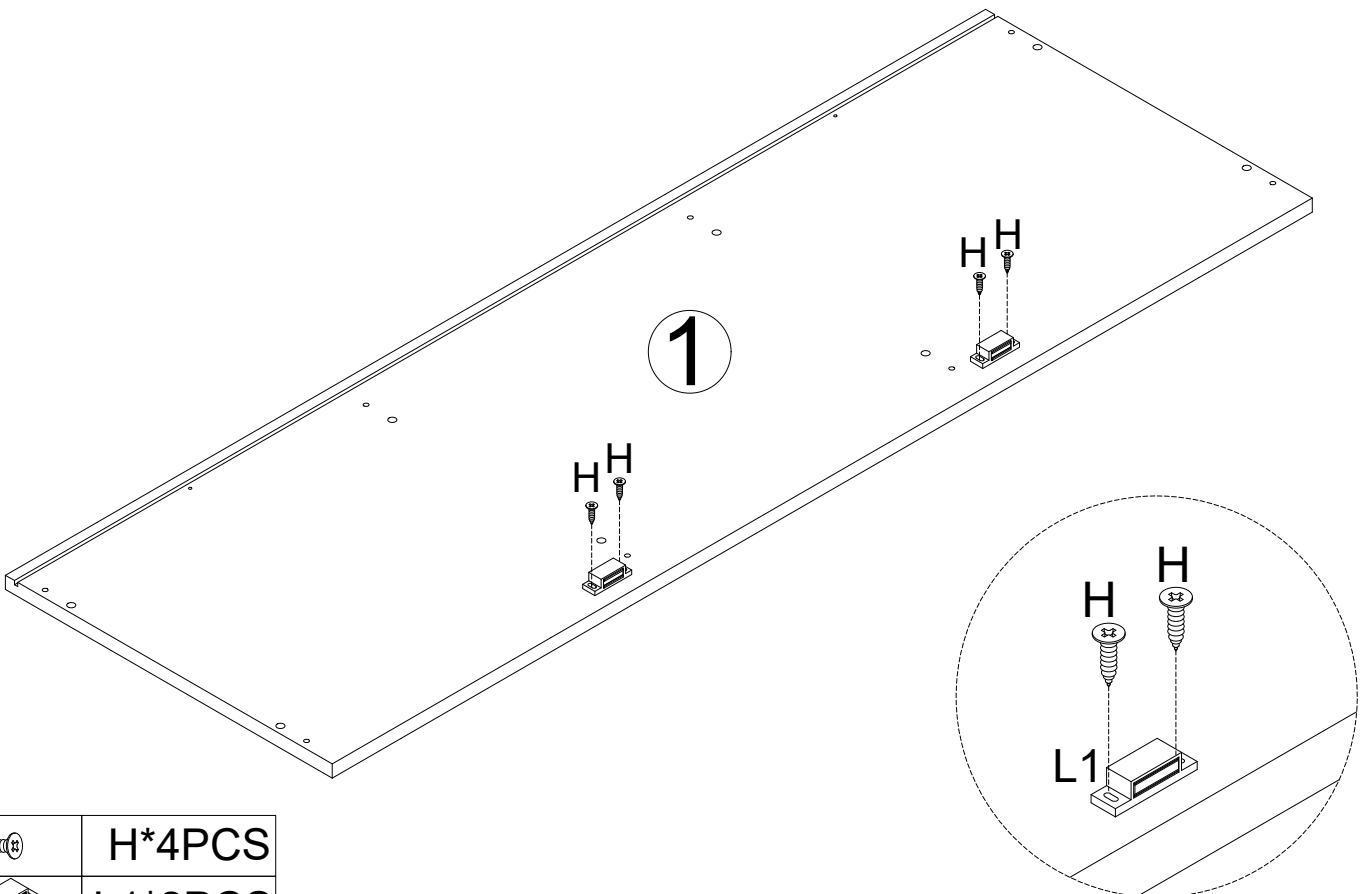
STEP 10

X2



L\*2PCS

STEP 11



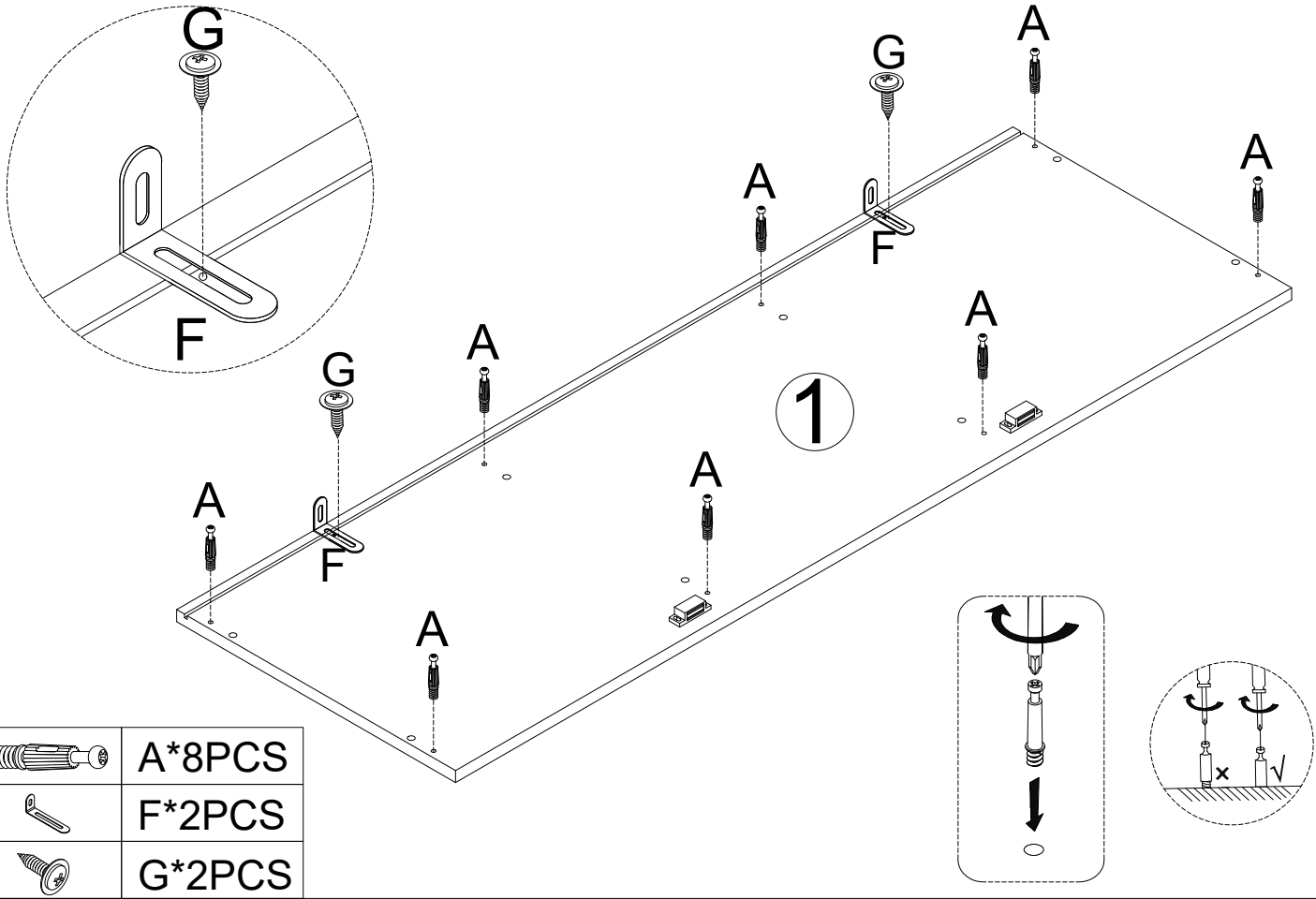
H\*4PCS






L1\*2PCS

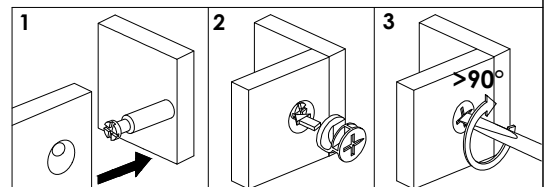
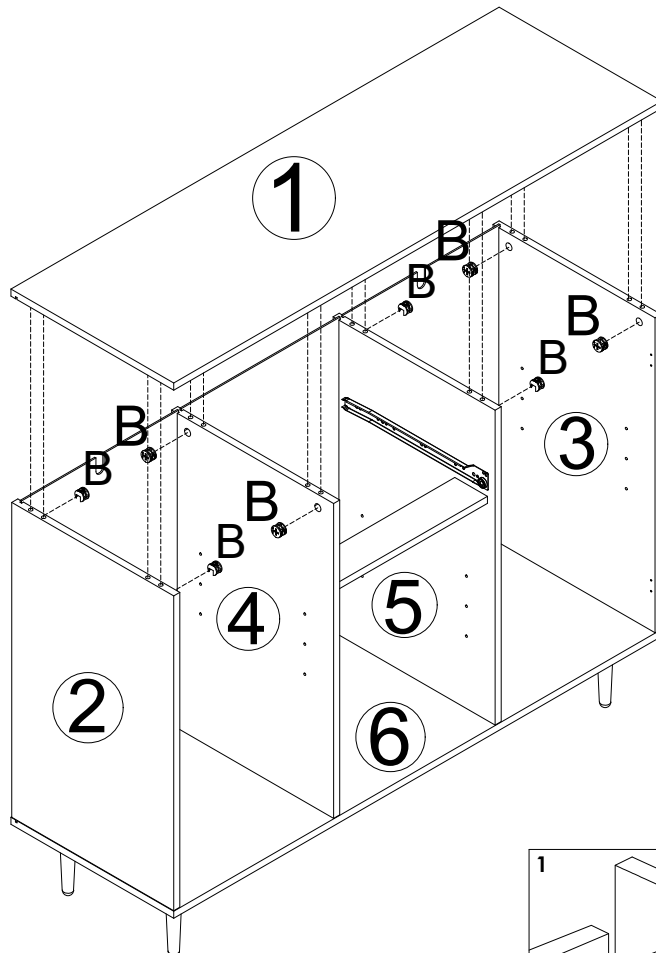
# Assembly Steps


## STEP 12



	A*8PCS
	F*2PCS
	G*2PCS

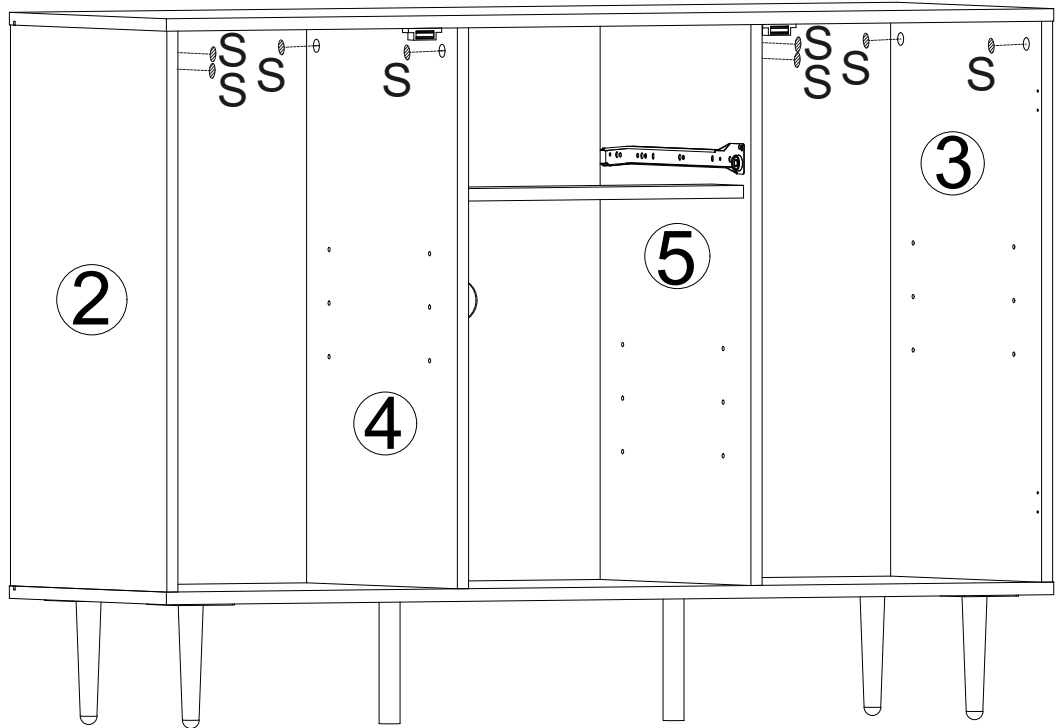
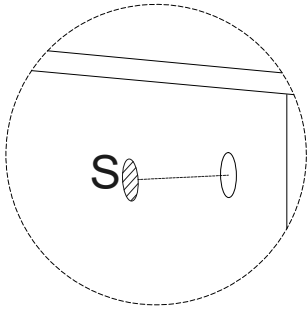
## STEP 13



	B*8PCS
---	--------

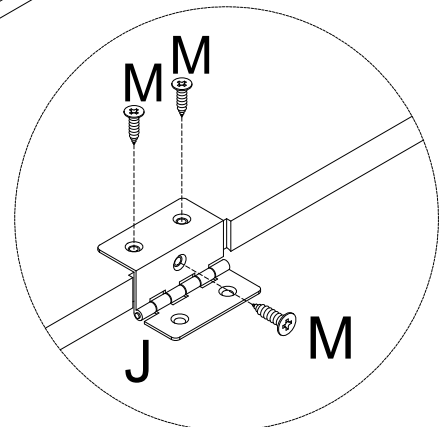
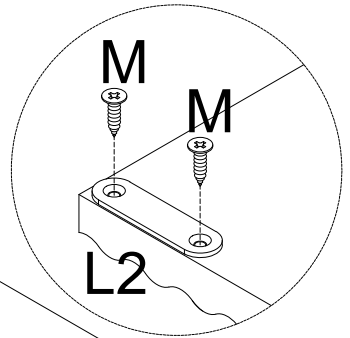
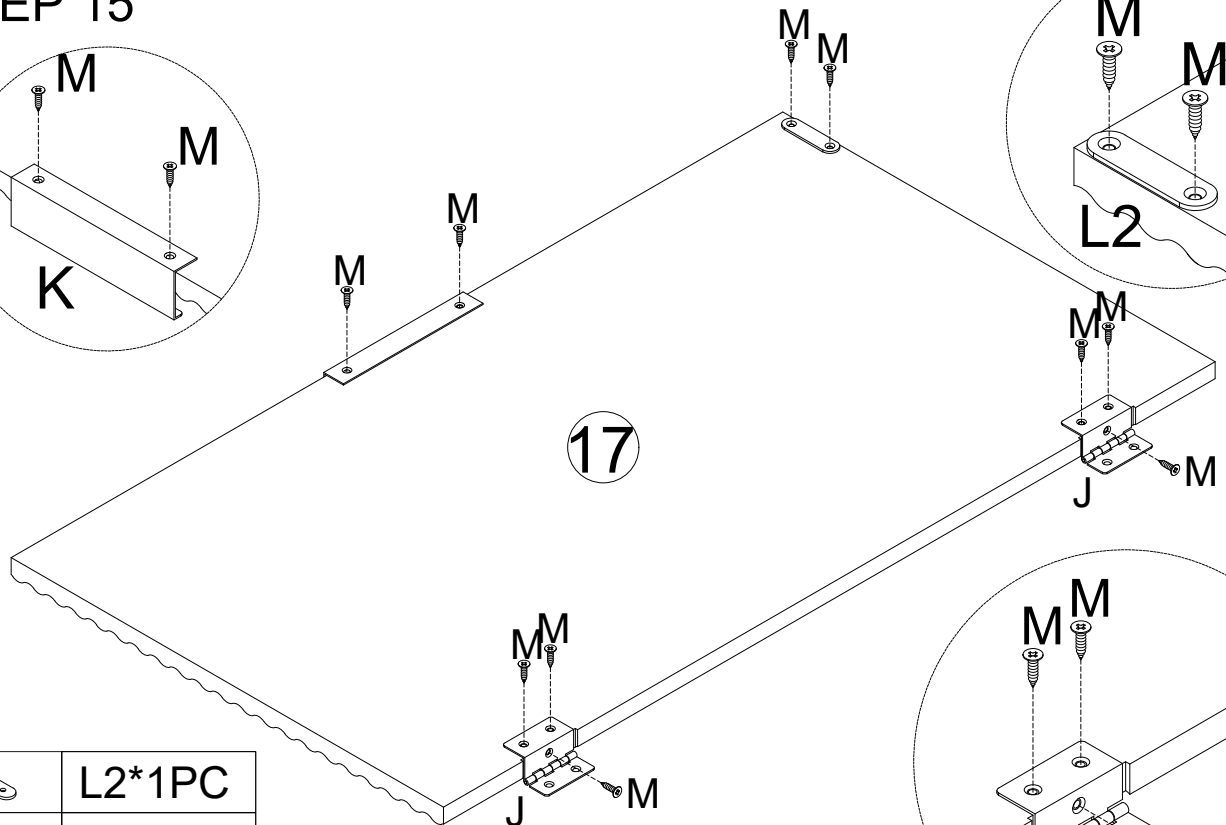
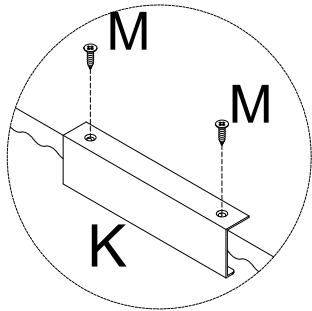
# Assembly Steps

## STEP 14



S\*8PCS

## STEP 15



L2\*1PC



J\*2PCS



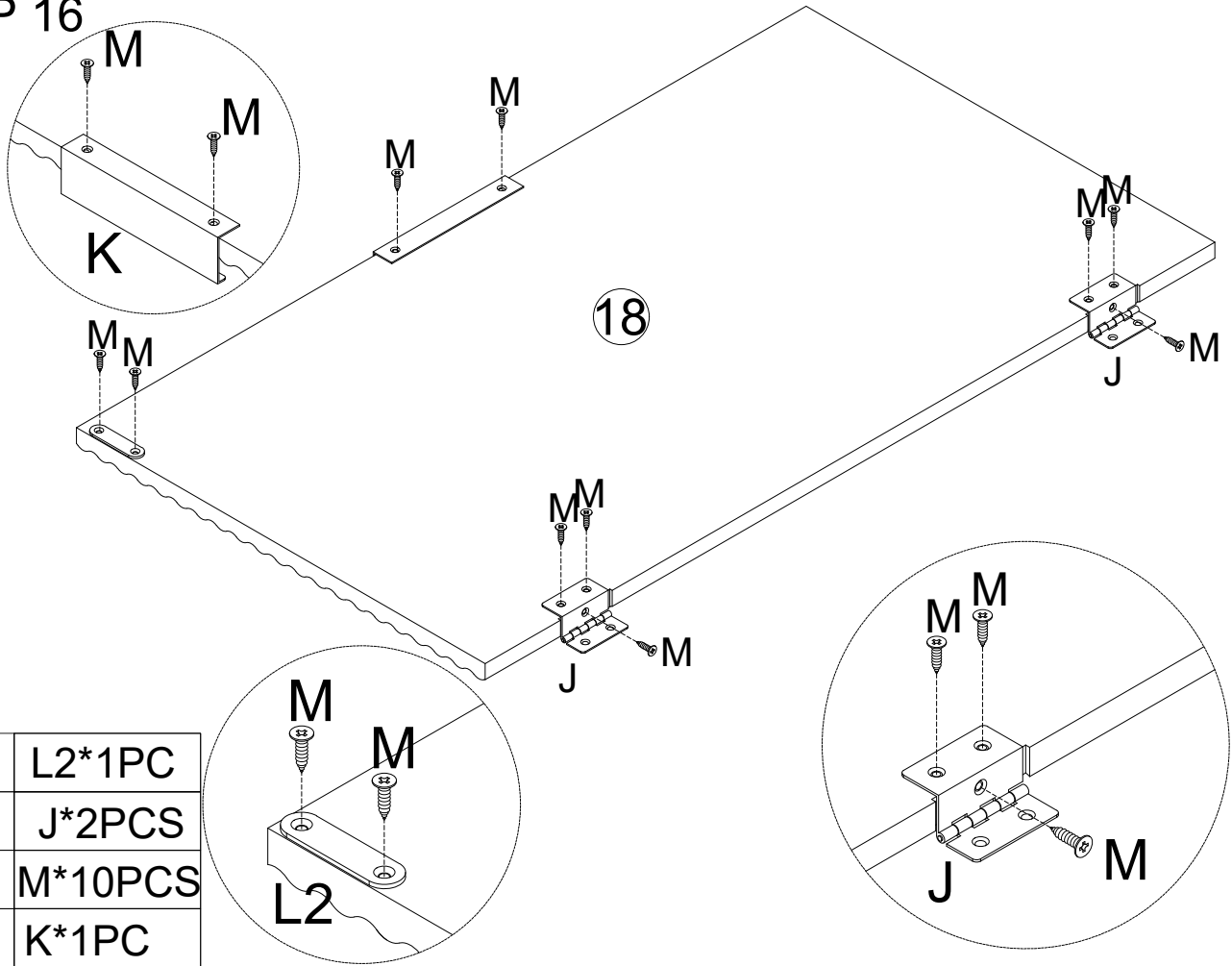
M\*10PCS

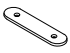


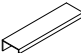


K\*1PC

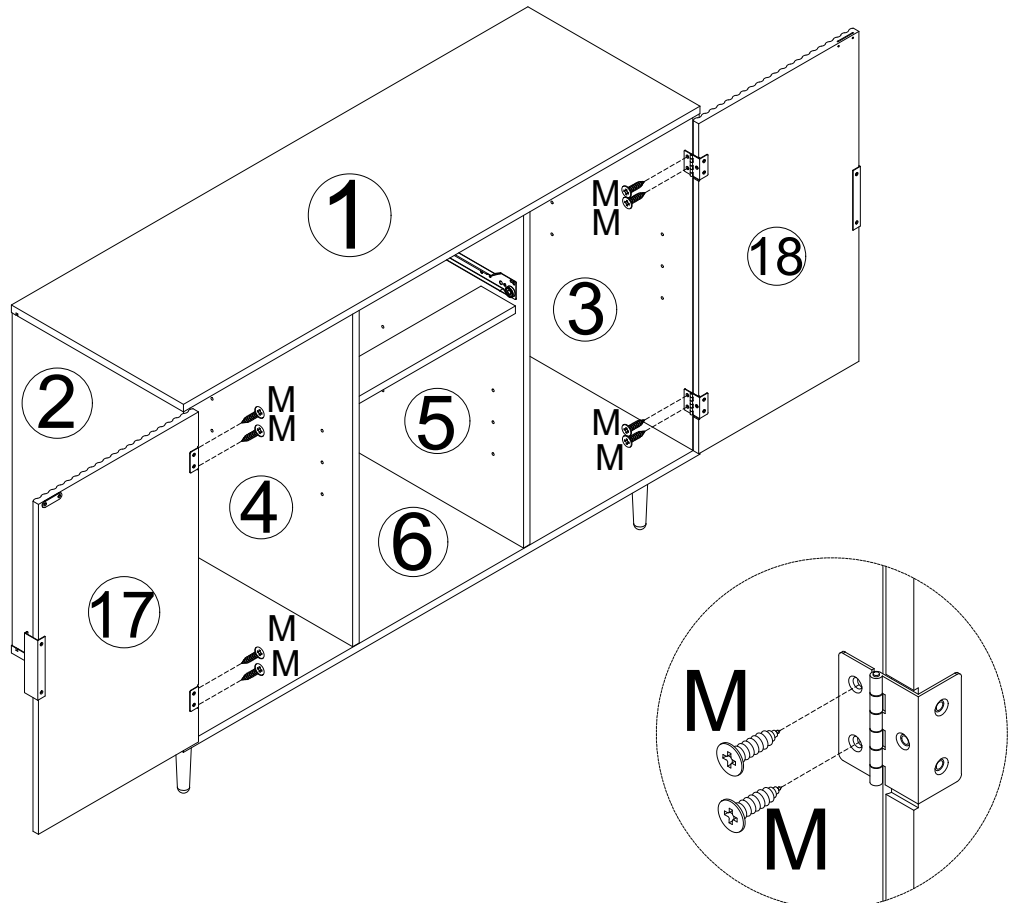
# Assembly Steps

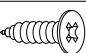
## STEP 16



	L2*1PC
	J*2PCS
	M*10PCS
	K*1PC

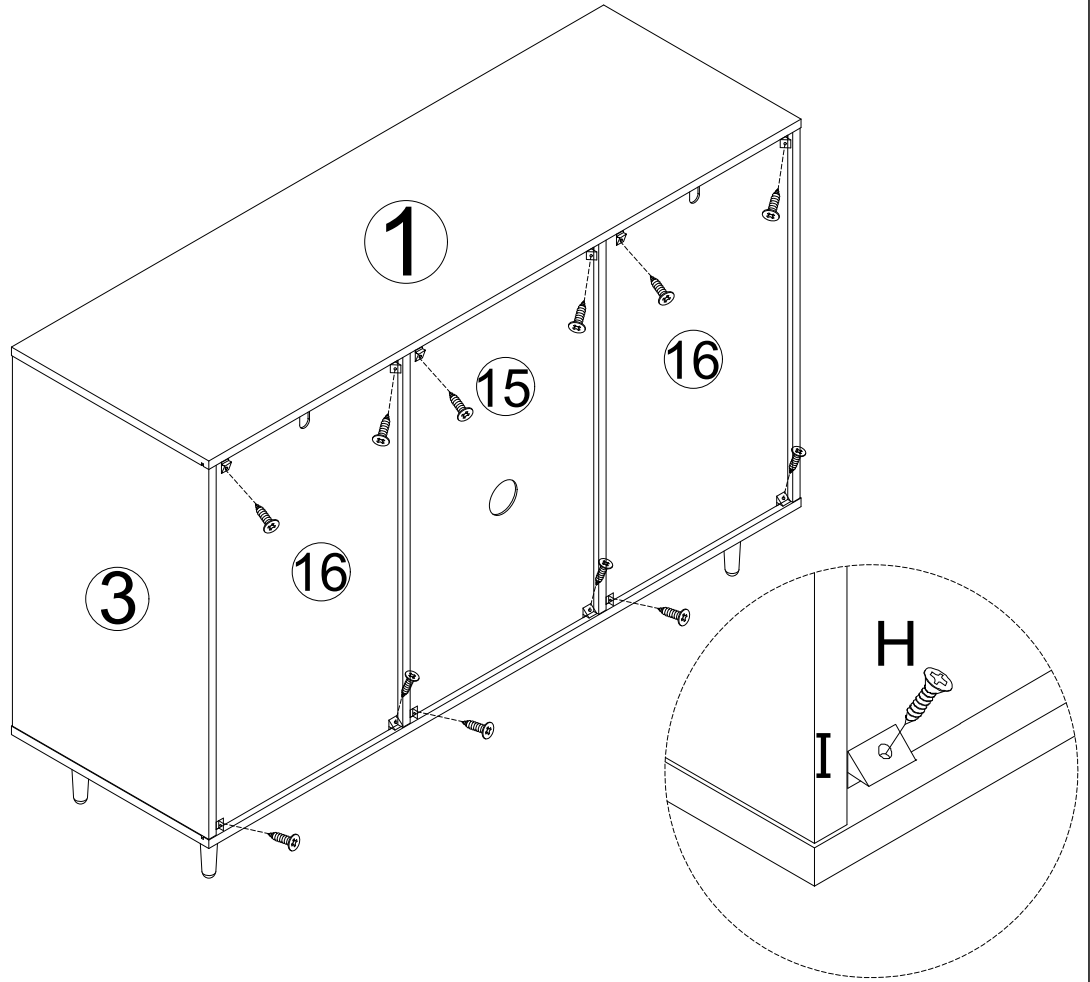
## STEP 17





	M*8PCS
--	--------

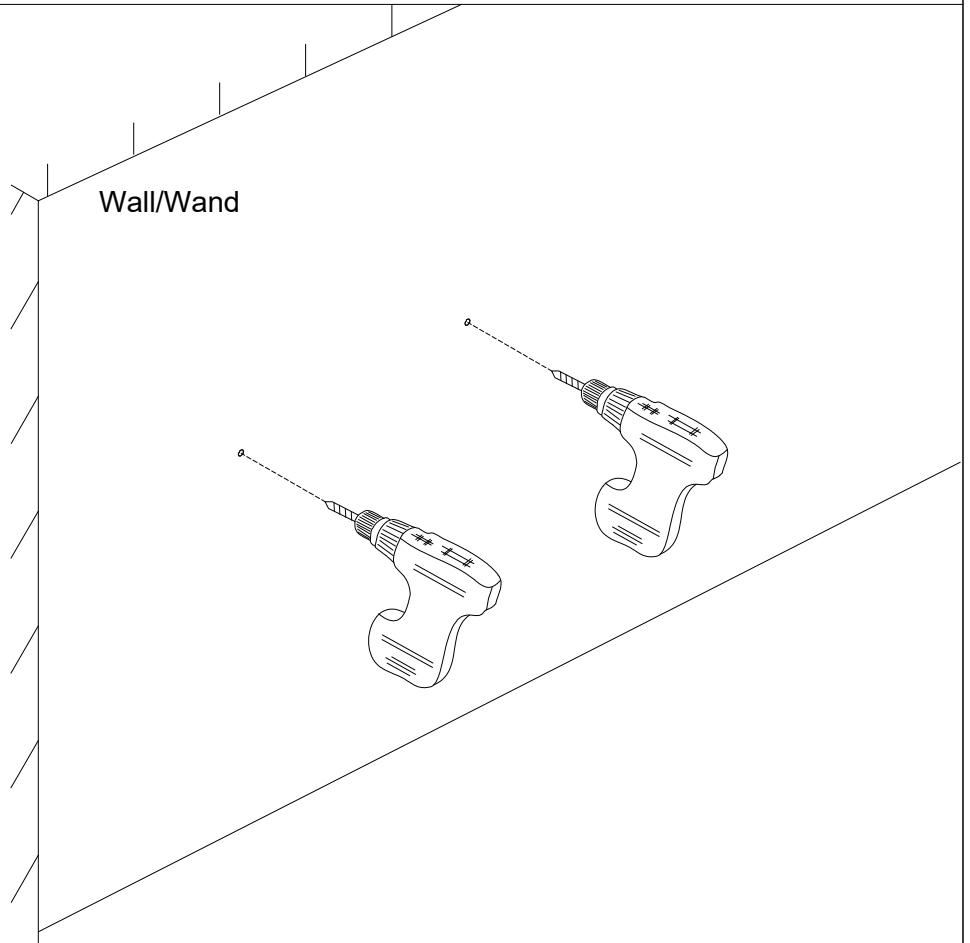
# Assembly Steps

## STEP 18



	H*12PCS
	I*12PCS

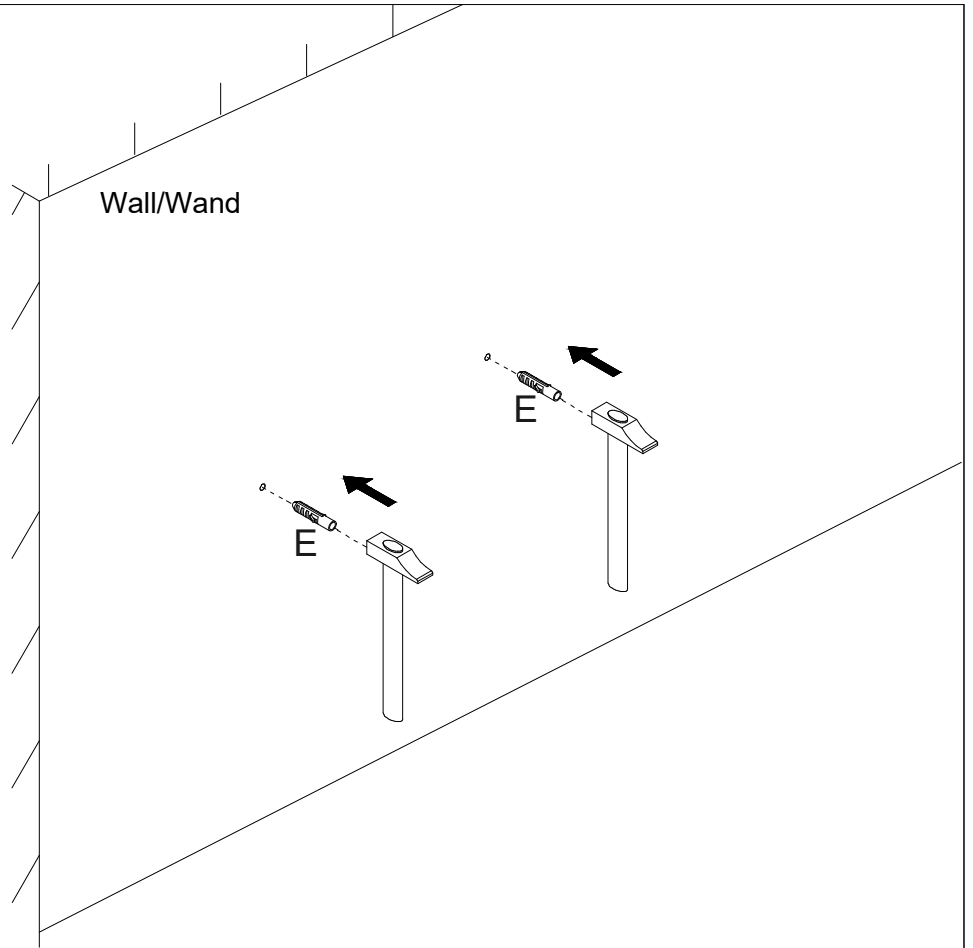
## STEP 19





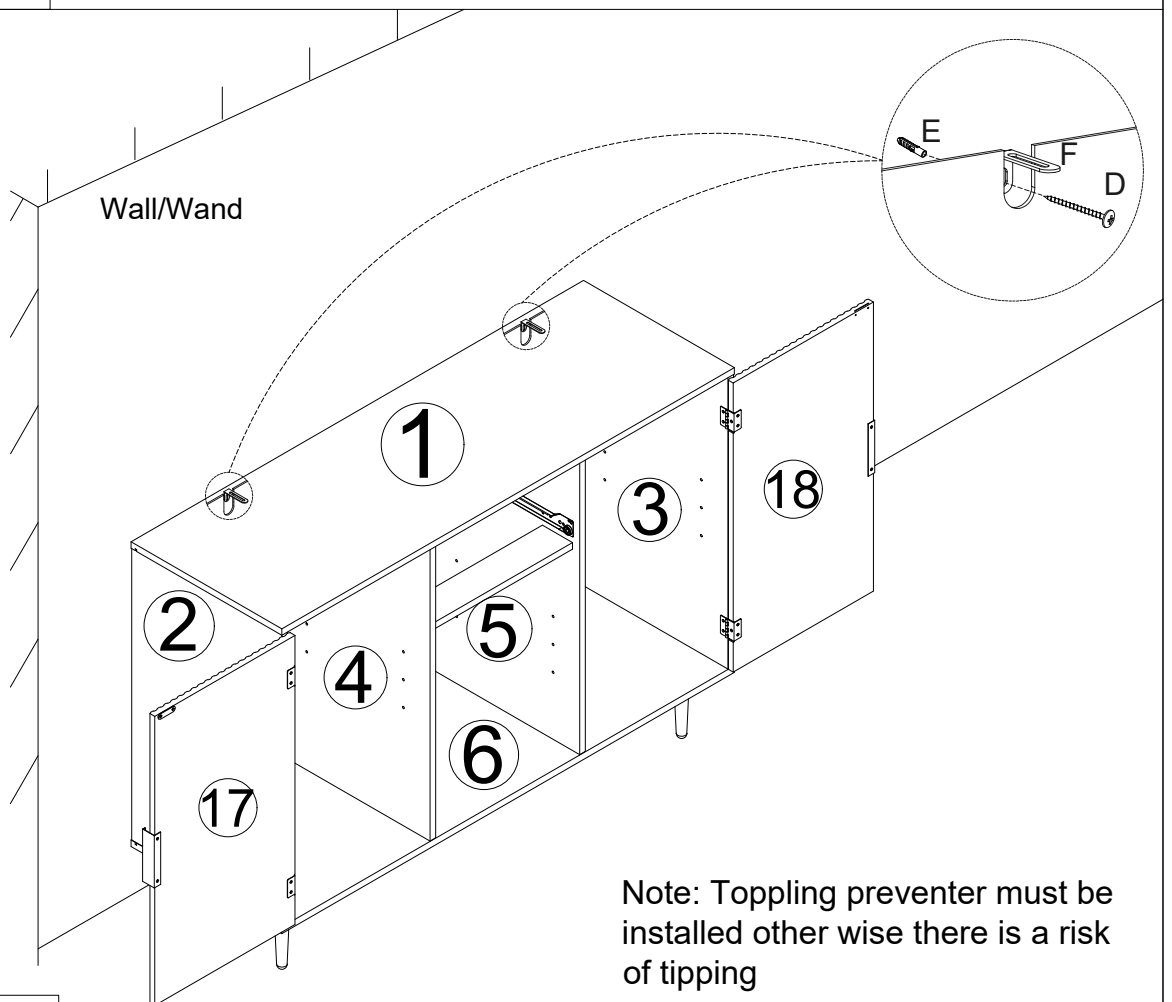
# Assembly Steps

## STEP 20

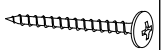


E\*2PCS

## STEP 21



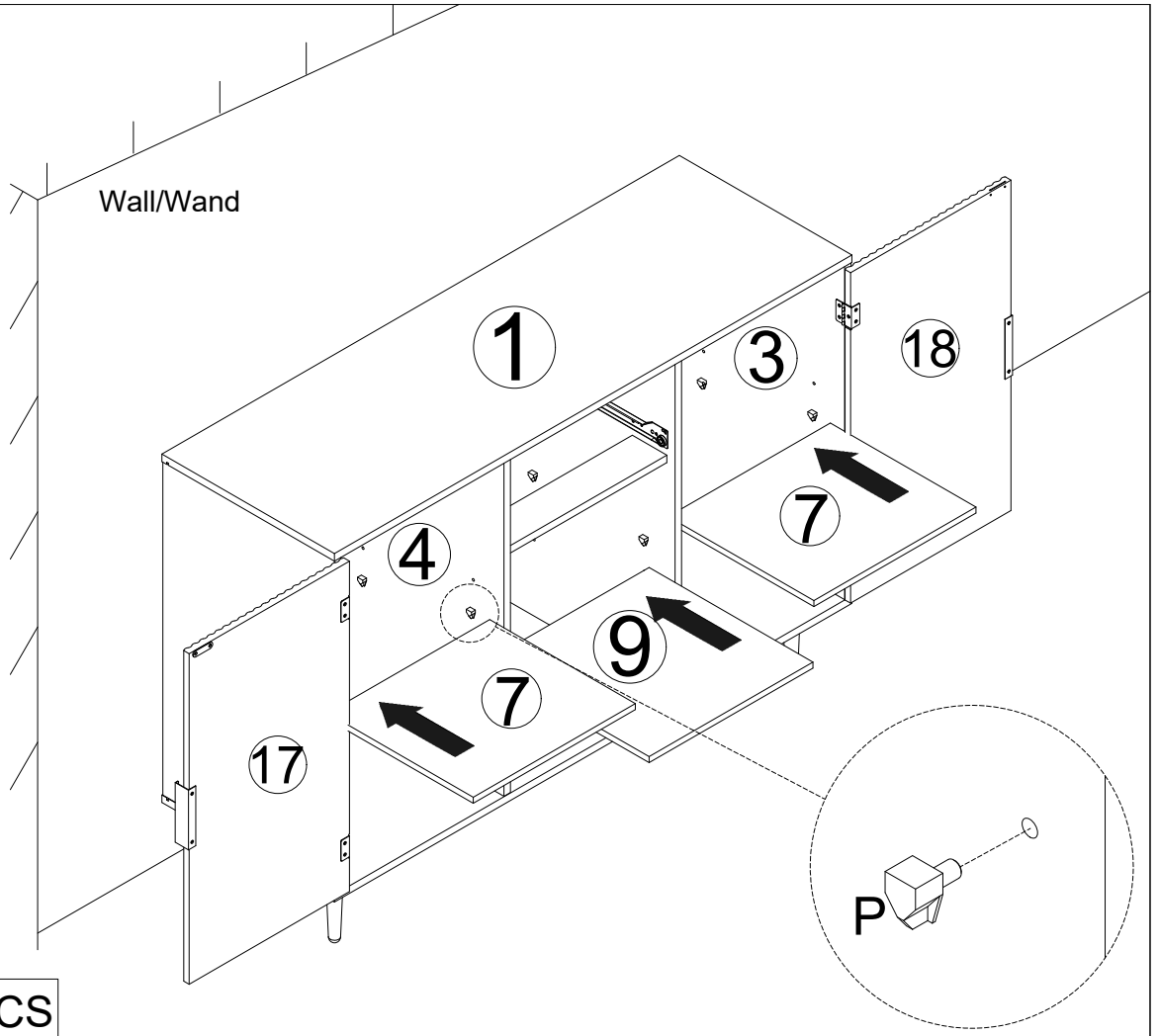
Note: Toppling preventer must be installed other wise there is a risk of tipping



D\*2PCS

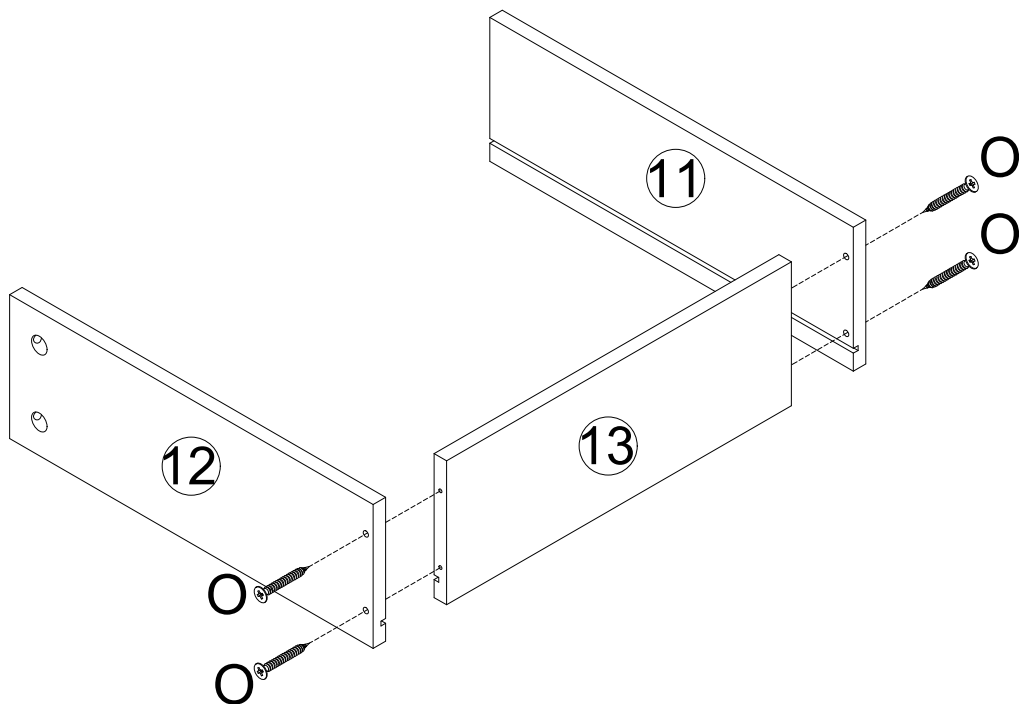
# Assembly Steps

## STEP 22



P\*12PCS

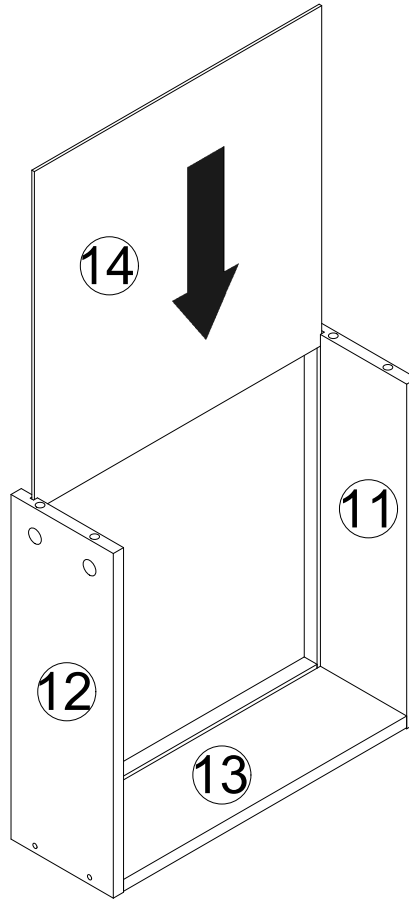
## STEP 23



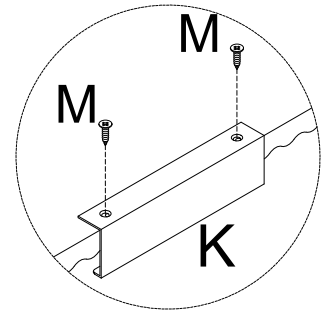
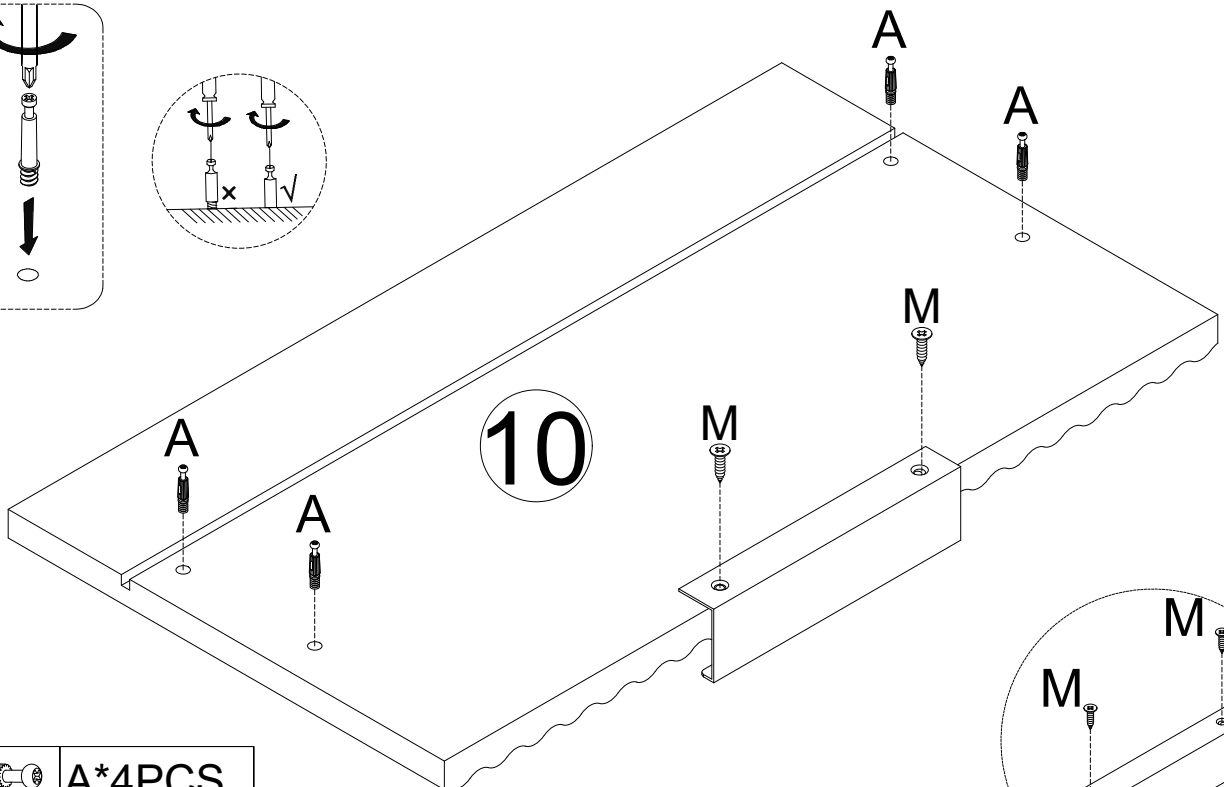
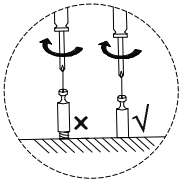
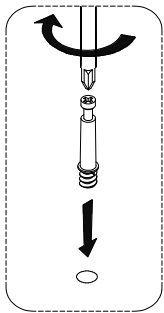
O\*4PCS




# Assembly Steps

## STEP 24



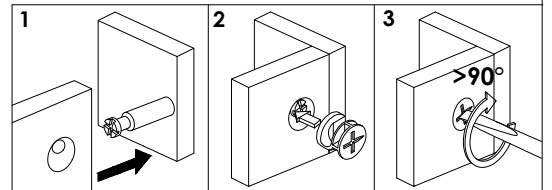
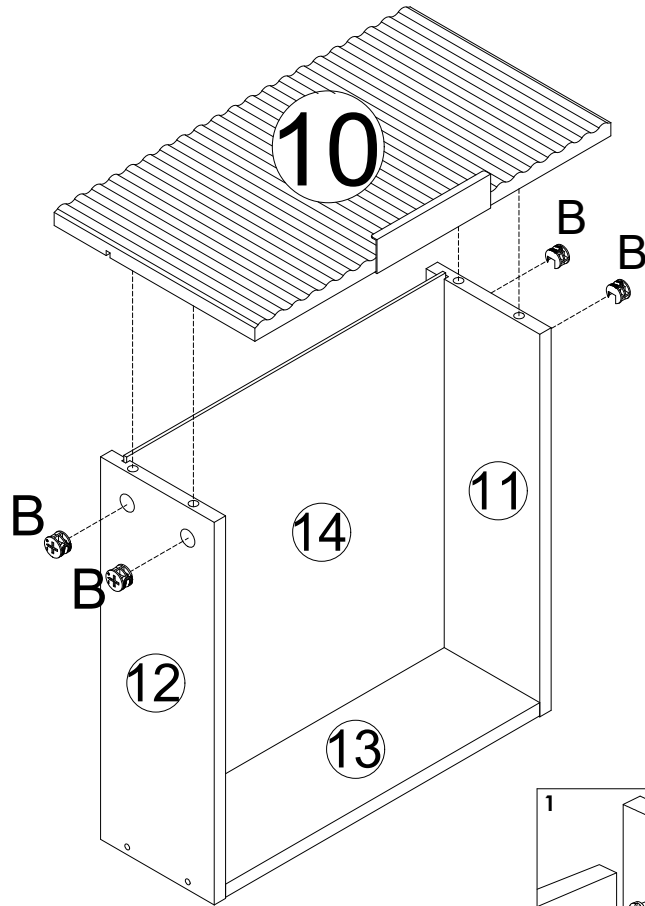
## STEP 25



	A*4PCS
	M*2PCS
	K*1PC

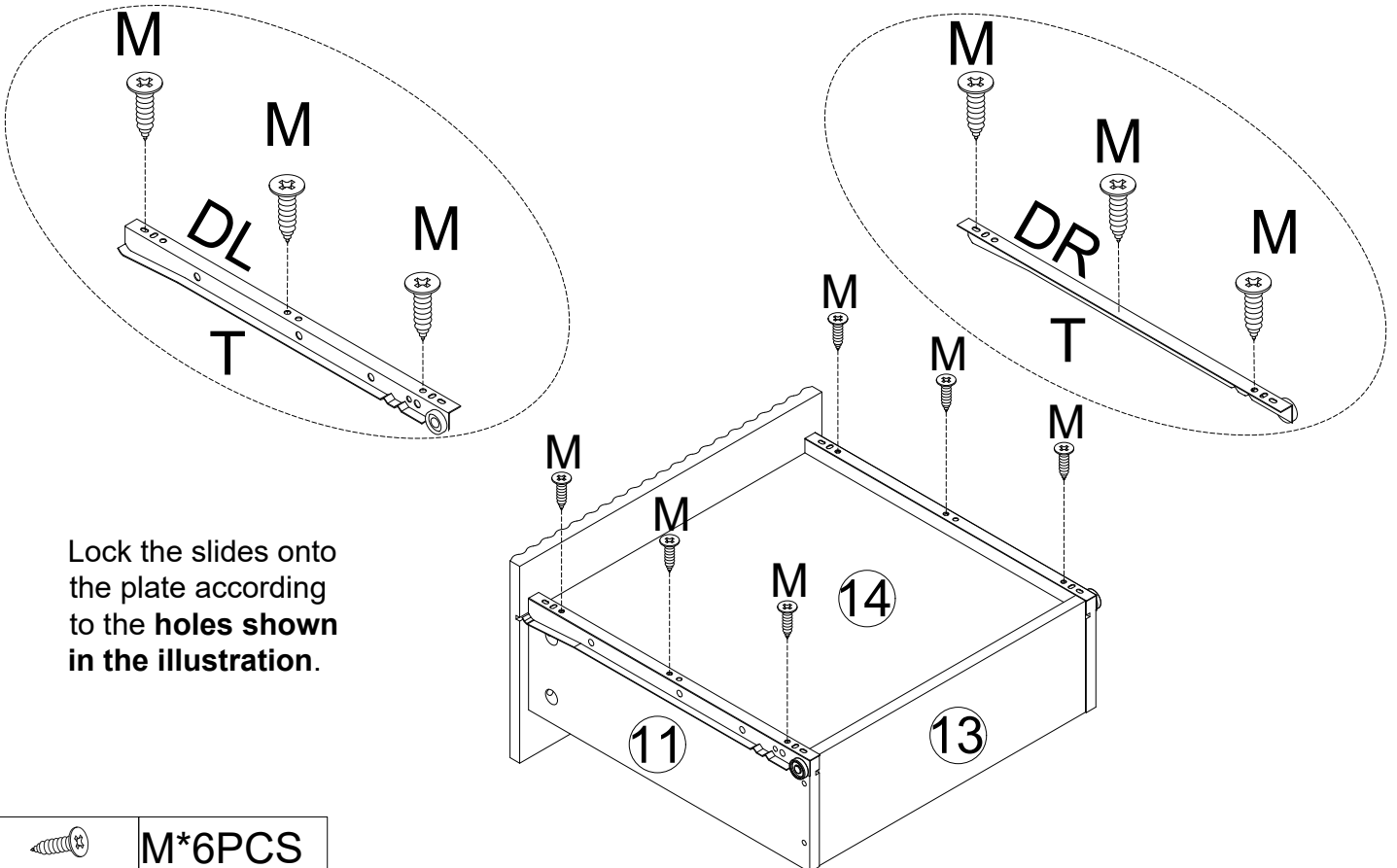
# Assembly Steps

## STEP 26



B\*4PCS

## STEP 27



Lock the slides onto the plate according to the holes shown in the illustration.



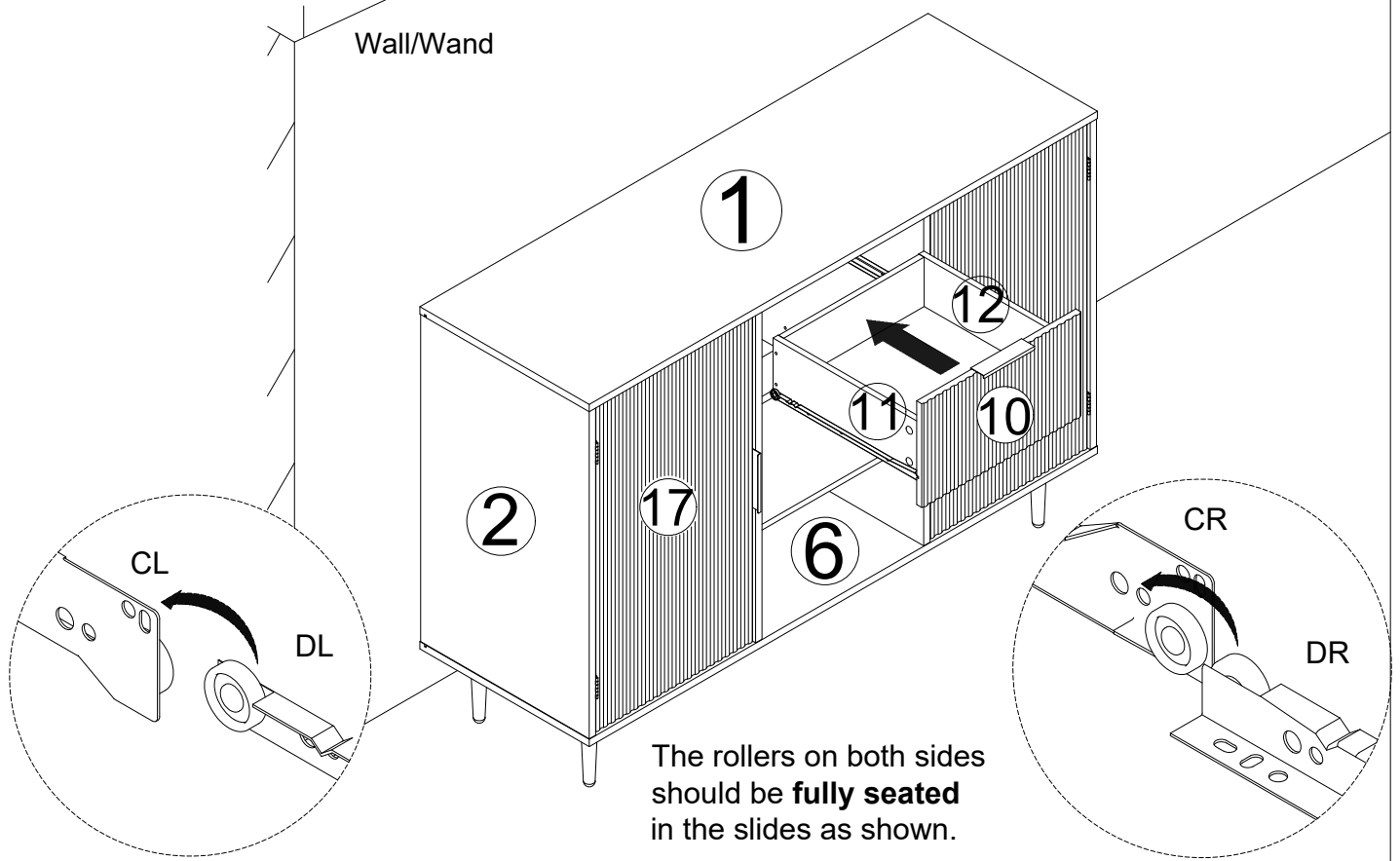
M\*6PCS



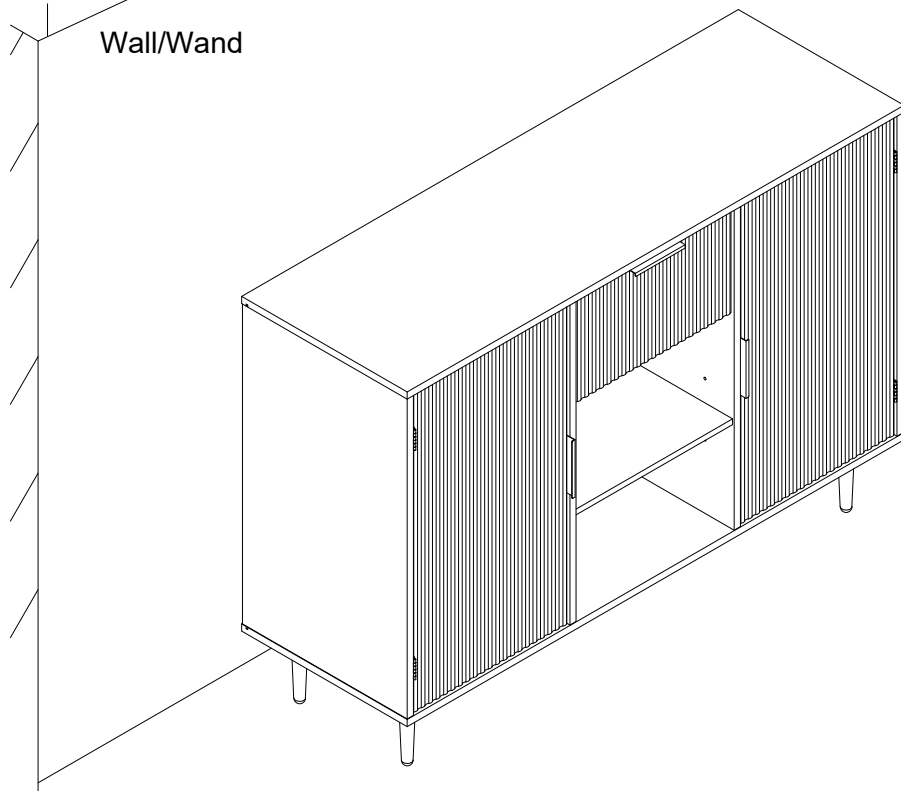
T\*1SET

# Assembly Steps

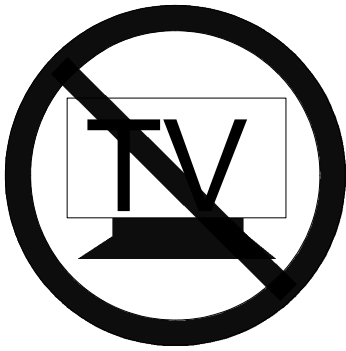
## STEP 28



## STEP 29



## WARNING



Children have died from furniture tipover. To reduce the risk of furniture tipover:

- ALWAYS install tipover restraint provided.
- NEVER put a TV on this product.
- NEVER allow children to stand, climb or hang on drawers, doors, or shelves.
- NEVER open more than one drawer at a time.
- Place heaviest items in the lowest drawers.