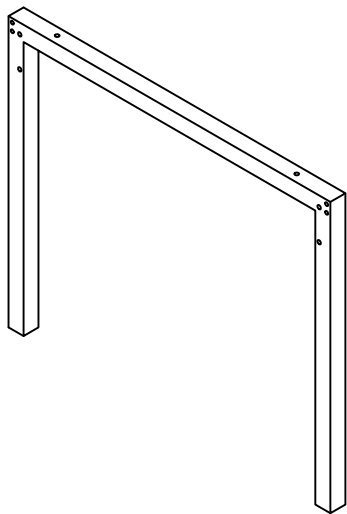
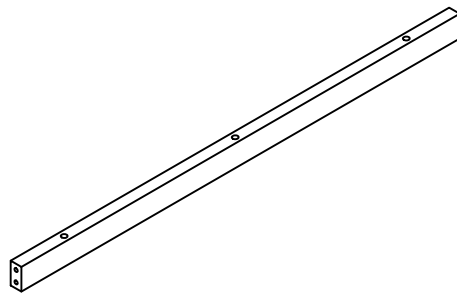


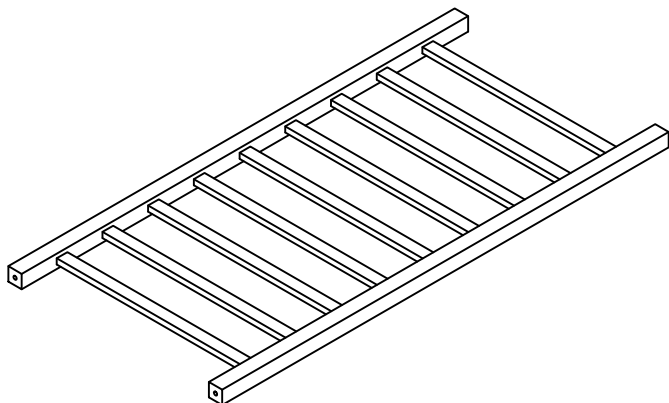
# Part list



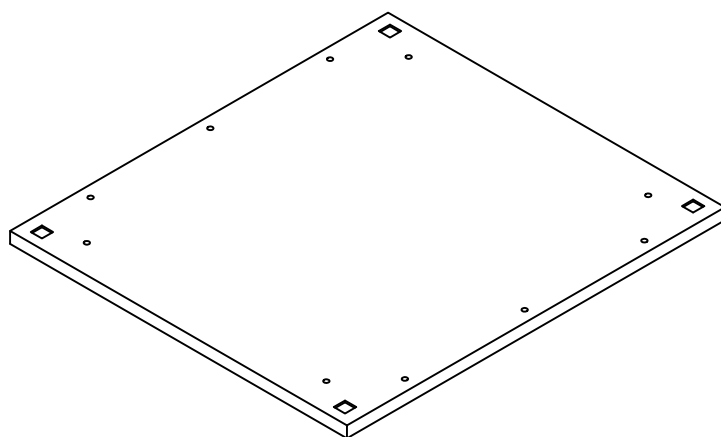
① X2



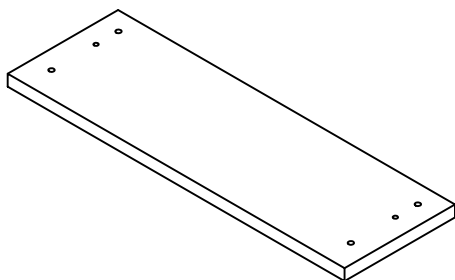
② X2



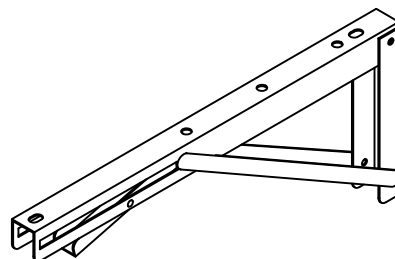
③ X1



④ X1

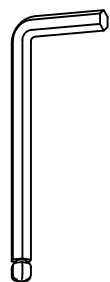


⑤ X2

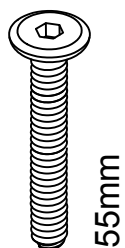


⑥ X4

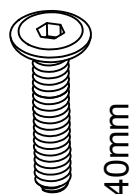
# Hardware list



Ⓐ X1



Ⓑ X18



Ⓒ X4



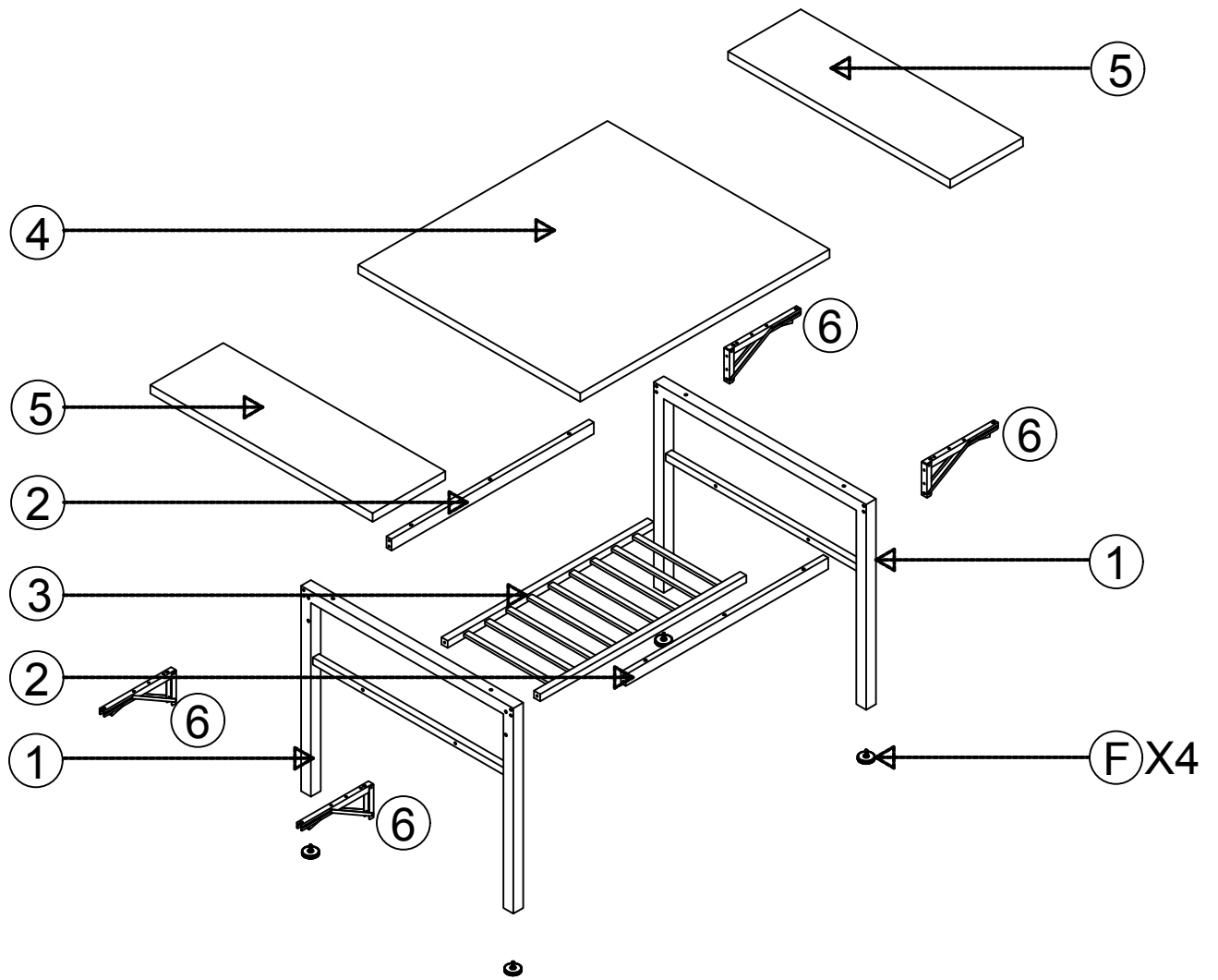
Ⓓ X8



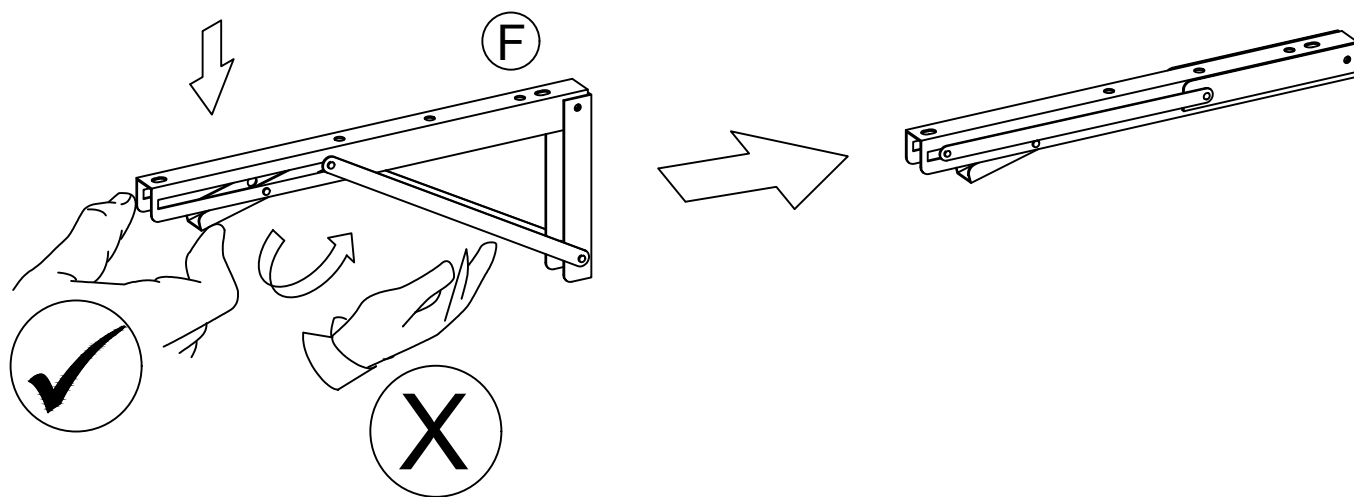
Ⓔ X12



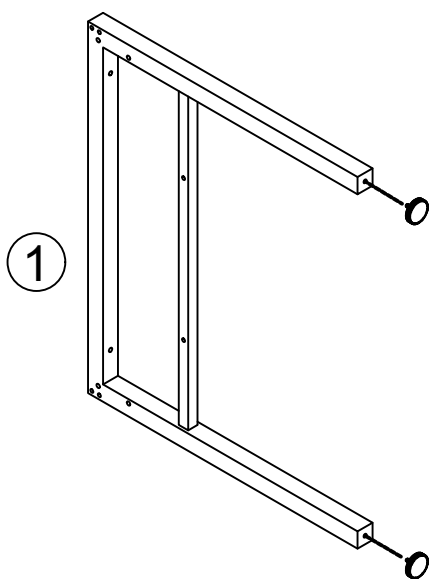
Ⓕ X4



1



2

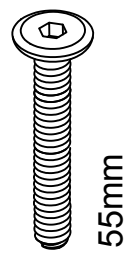
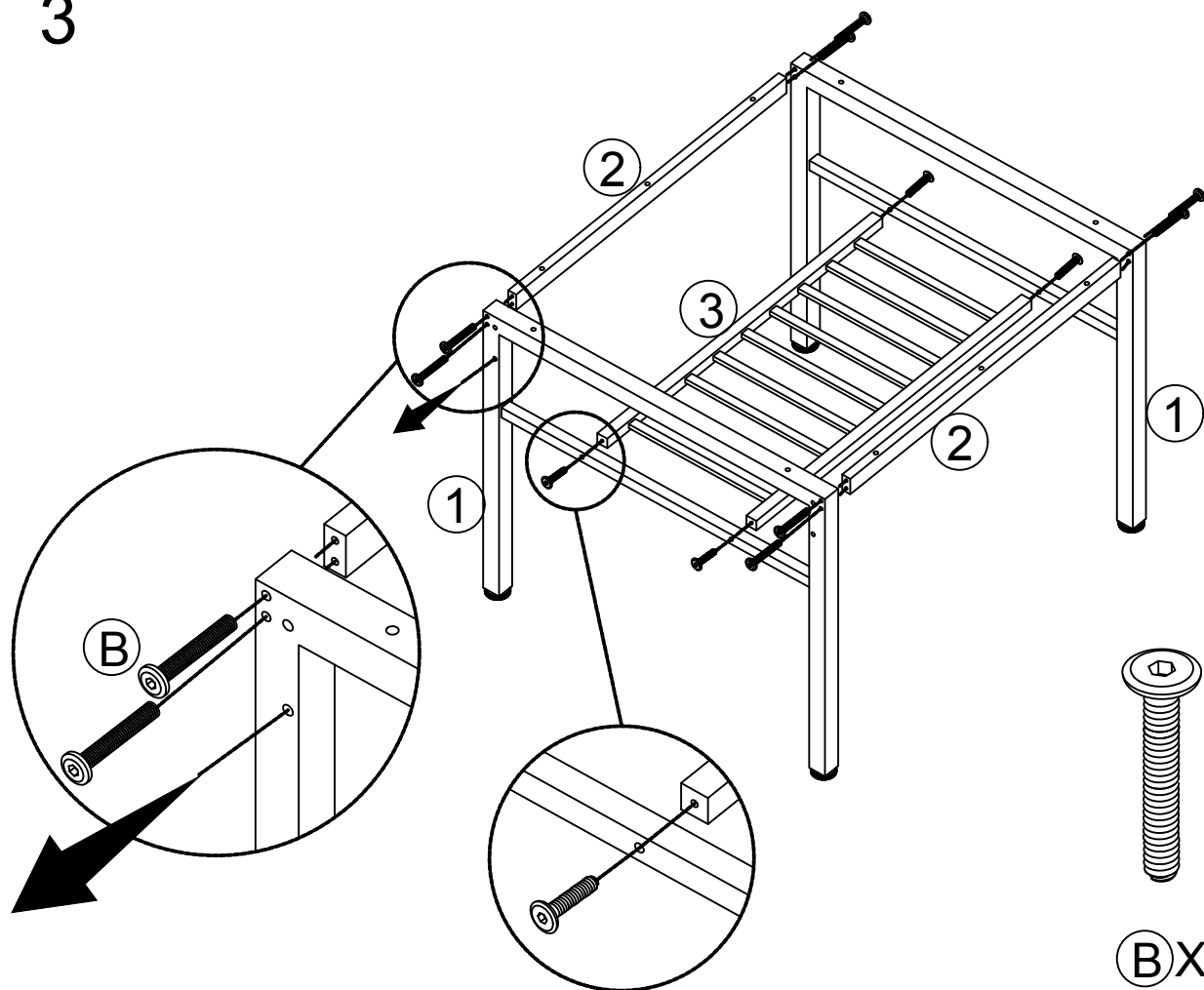


X2



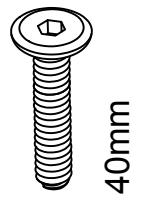
(F) X4

3



55mm

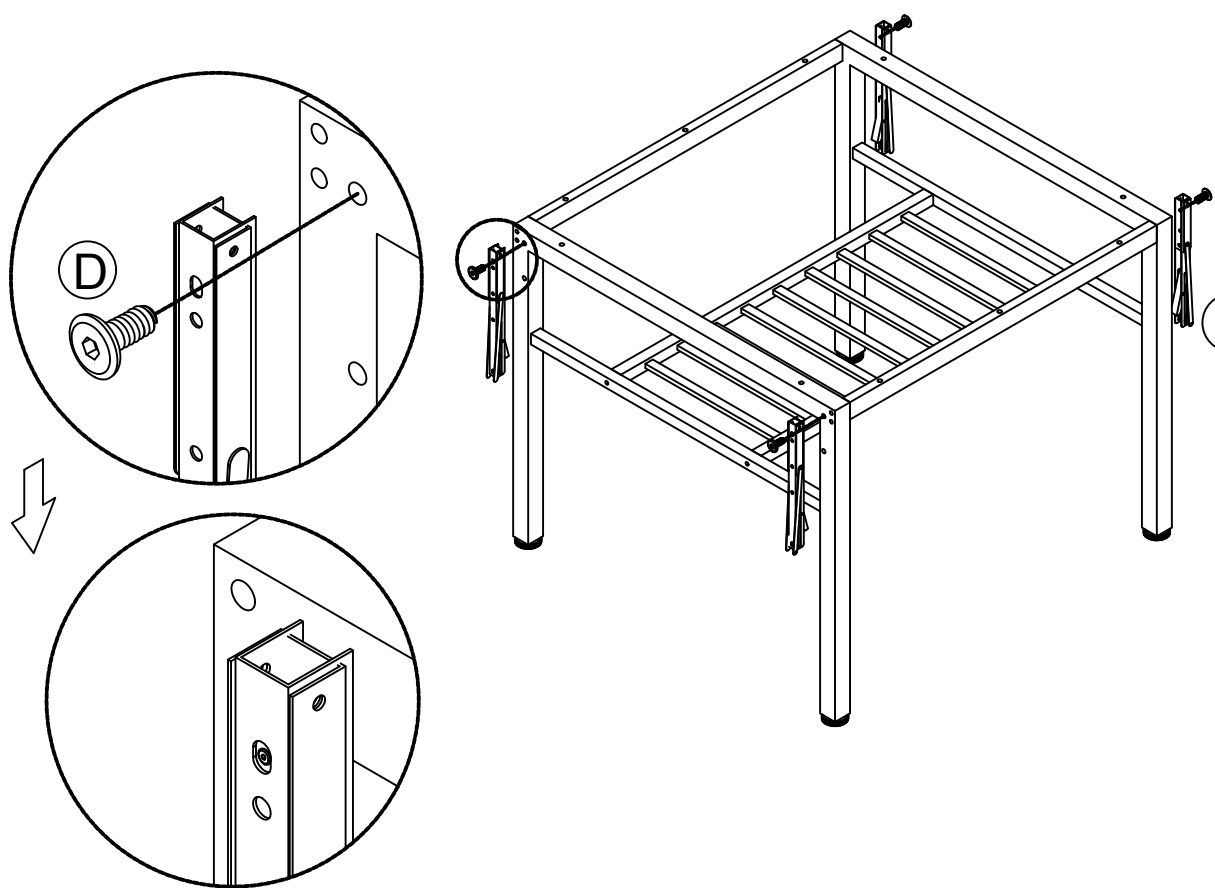
(B) X8



40mm

(C) X4

4



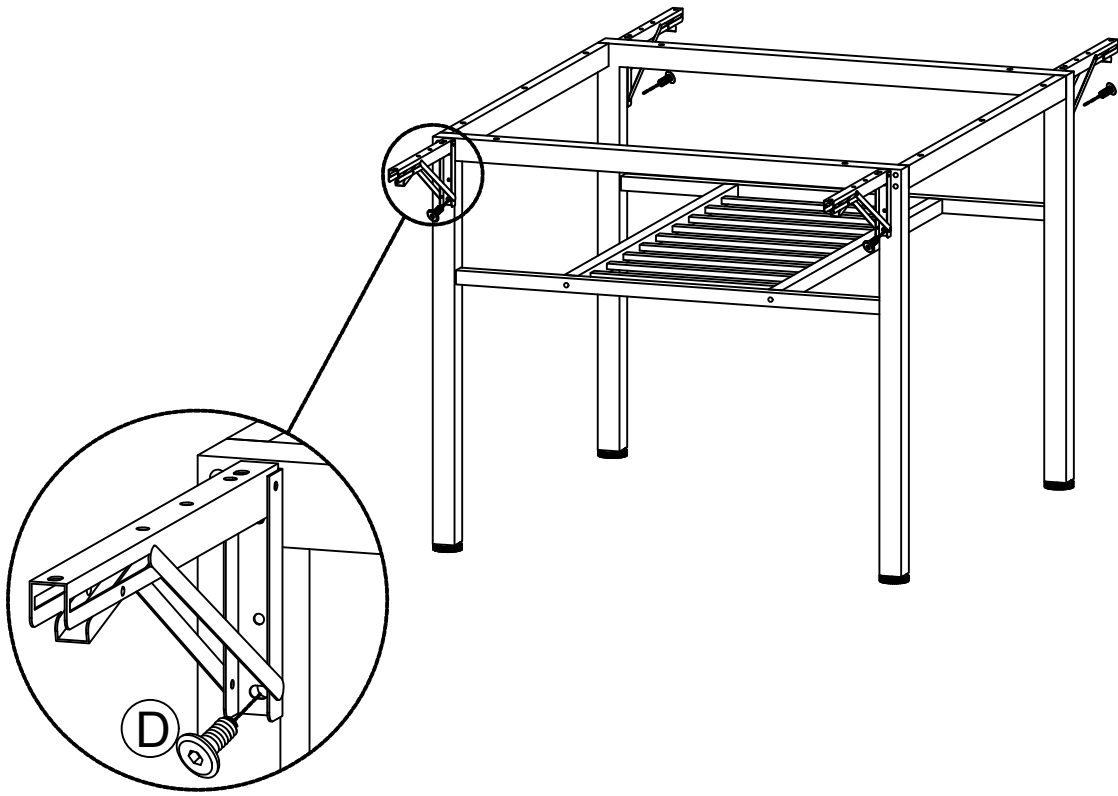
(6) X4



12mm

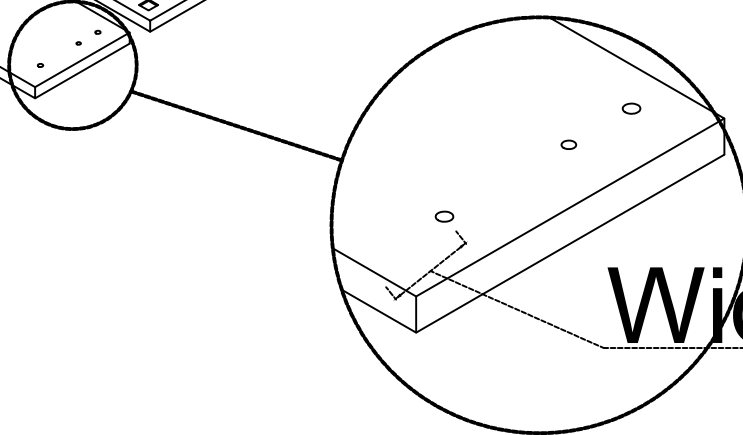
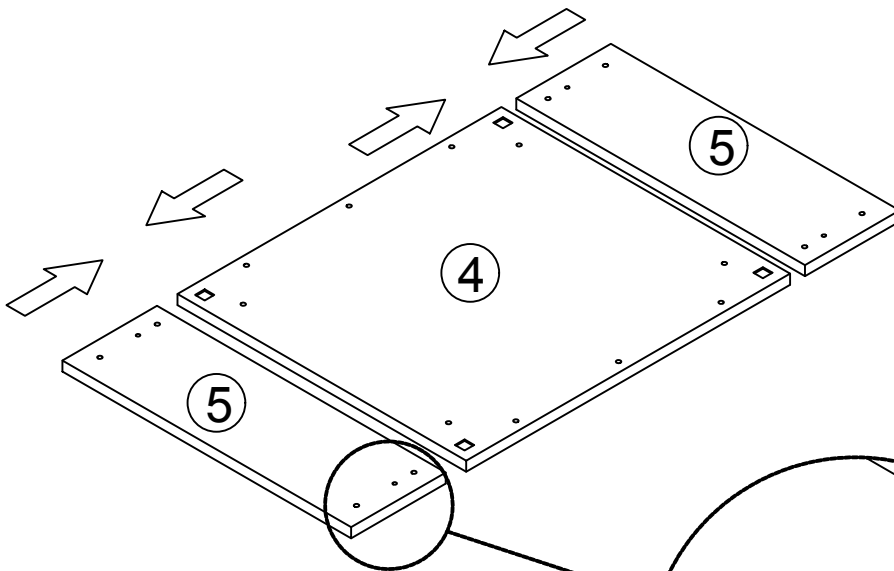
(D) X4

5

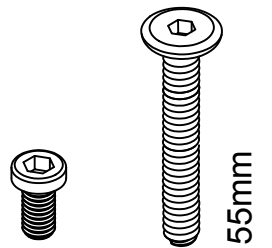
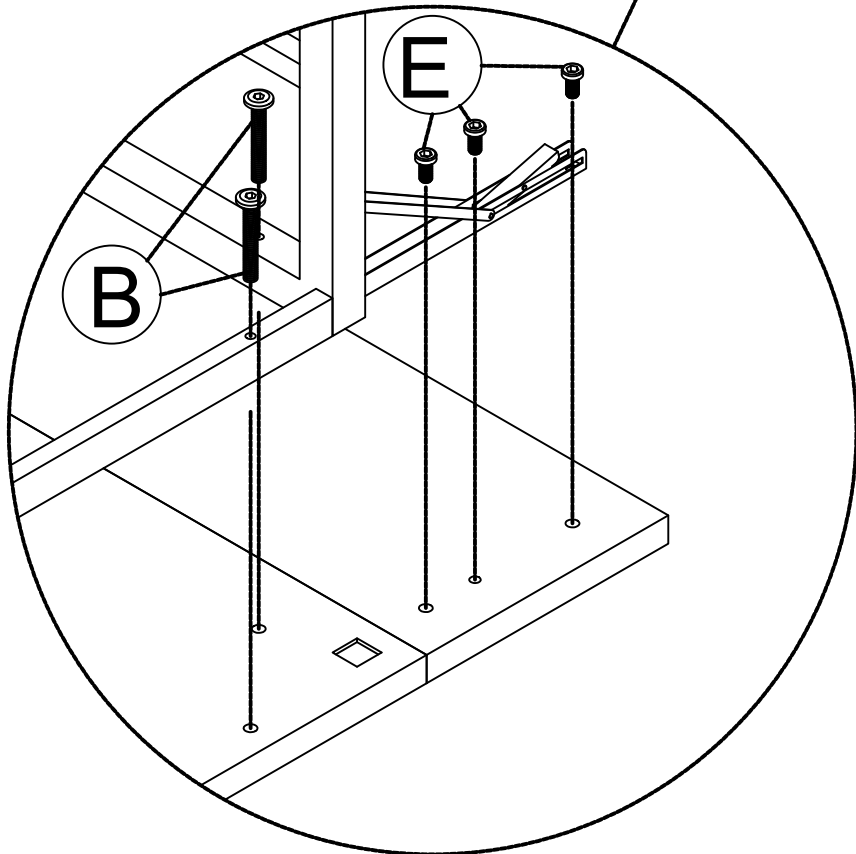
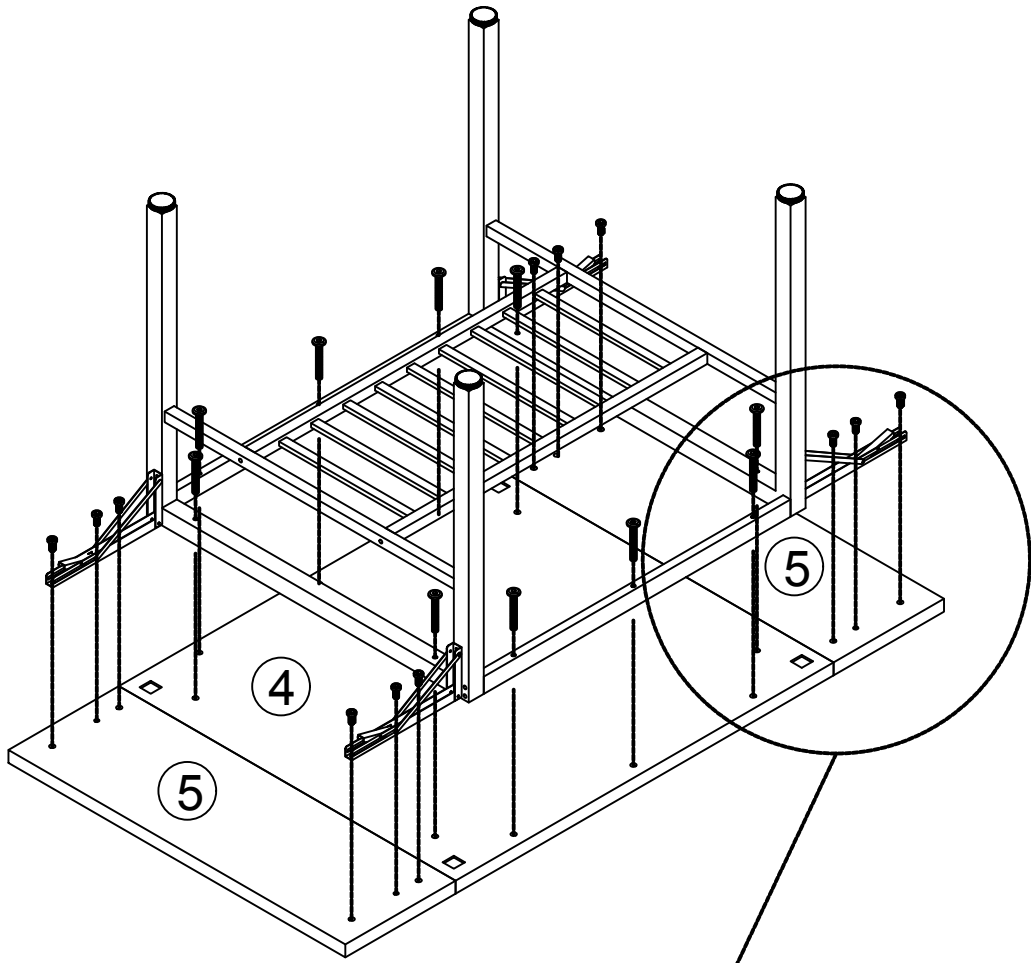


DX4

6



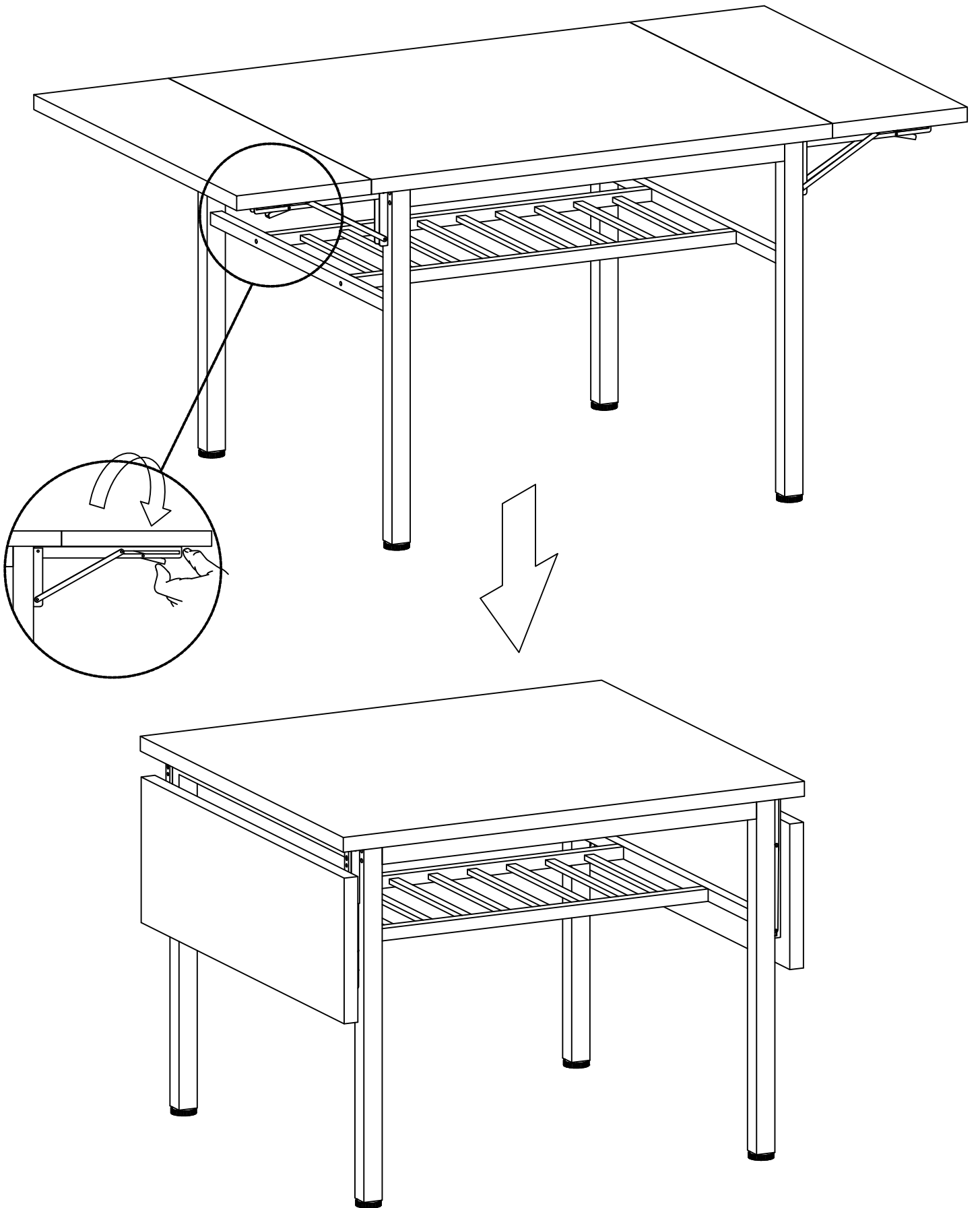
**Wide Brim**



ⓔ X12 ⓑ X10



8



9

