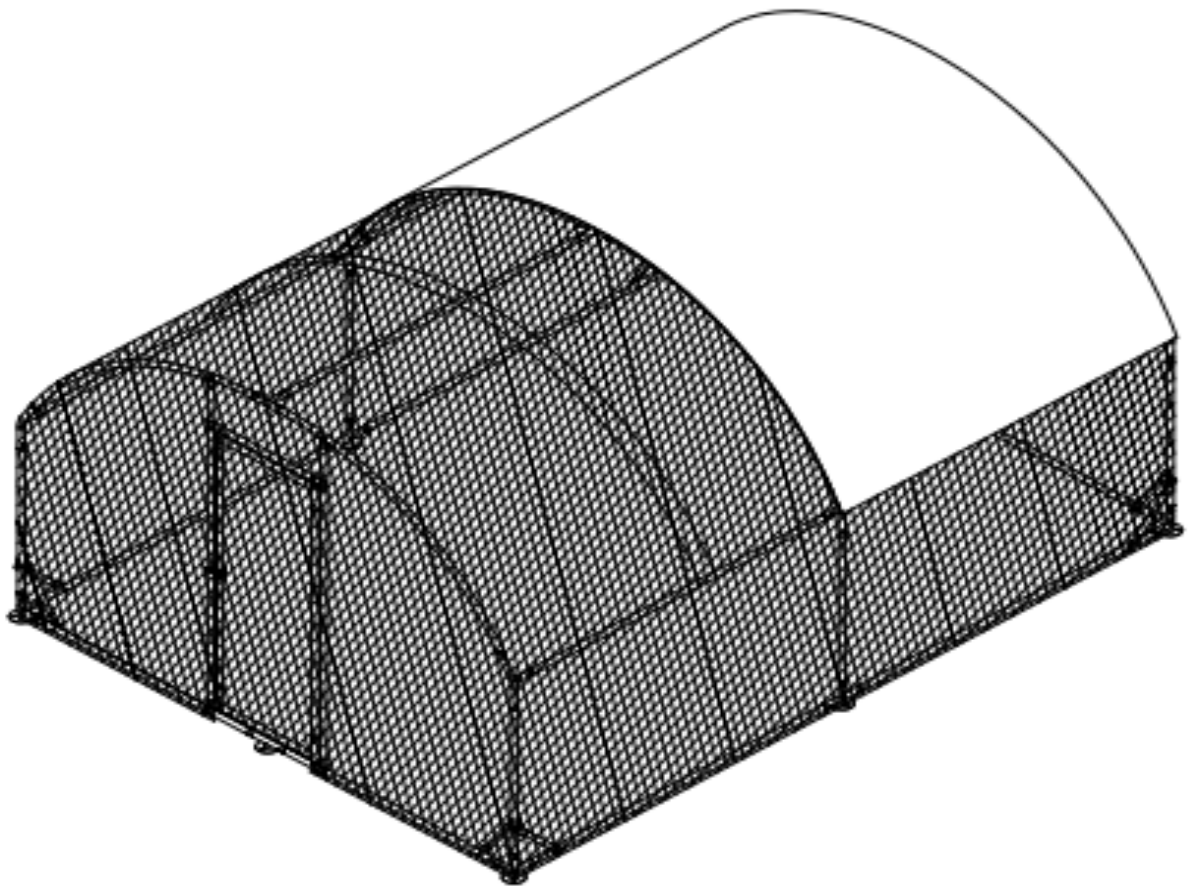


# **Metal Chicken Coop Instruction Manual**


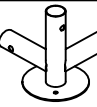

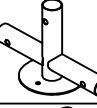
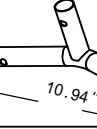
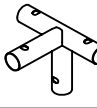
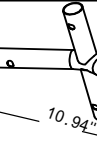
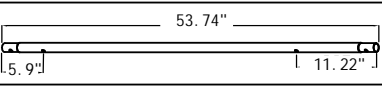
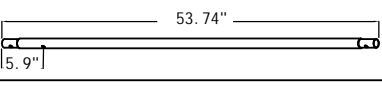
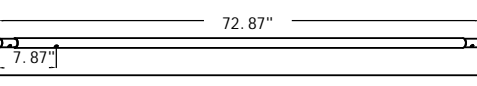
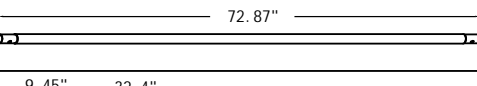
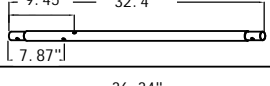
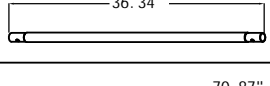
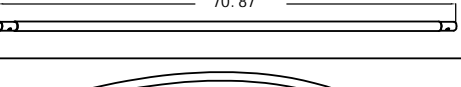

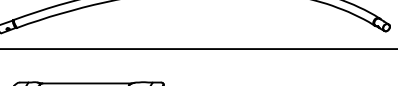
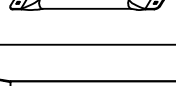
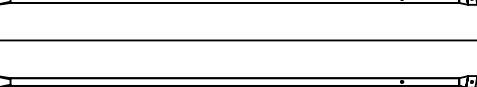

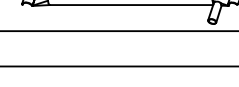
Please read this manual carefully before assembly

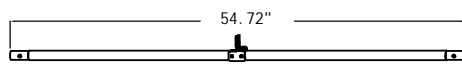
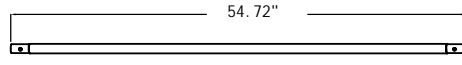

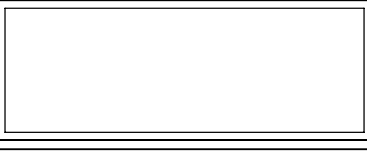


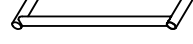
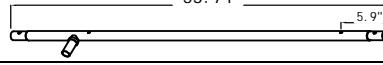


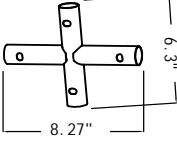


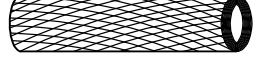


# **PLEASE READ THESE INSTRUCTIONS CAREFULLY AND KEEP THEM FOR FUTURE REFERENCE**

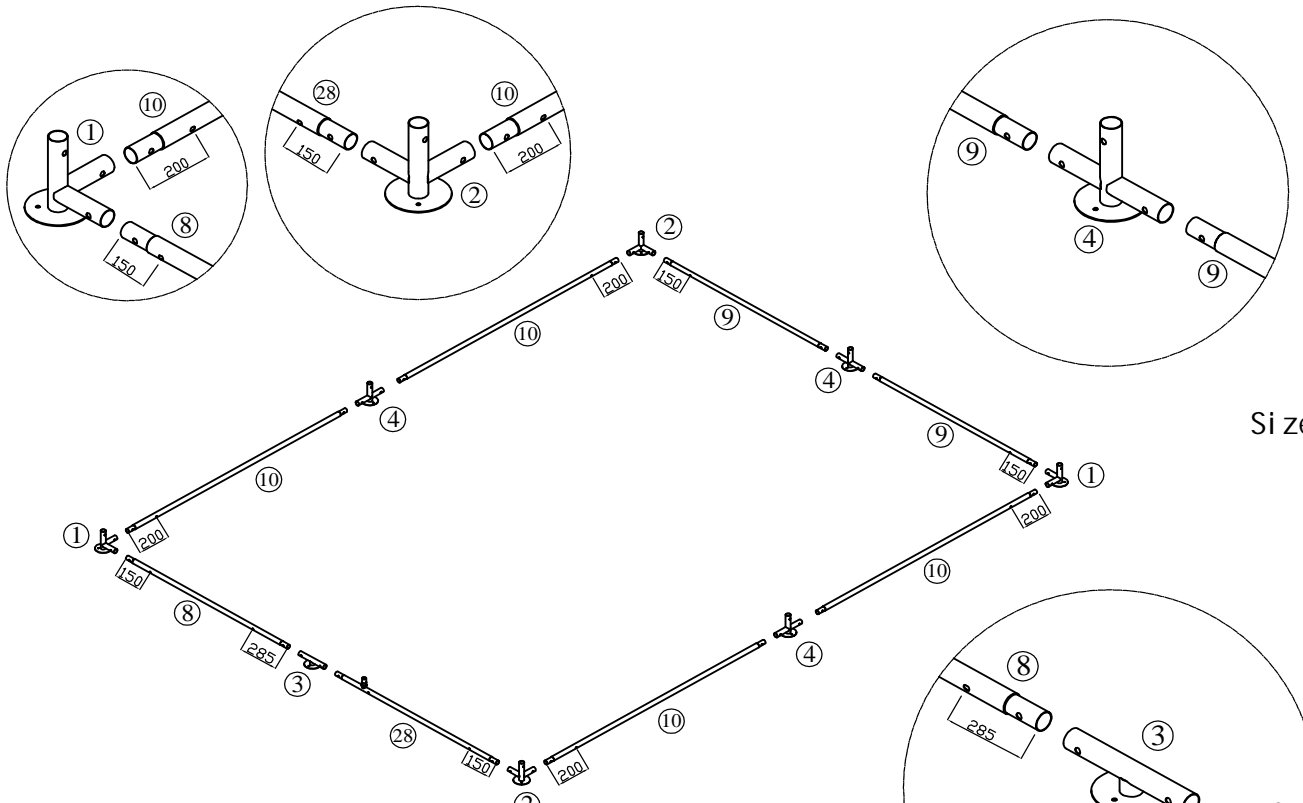
## **Warning:**

1. Do not fully tighten all screws until the step or process has finished.
2. Check you have all the components and tools listed.
3. Remove all fittings from the package and separate them into their groups.
4. Keep children and animals away from the work area, small parts could choke if swallowed.
5. Make sure you have enough space to lay out the parts before starting.
6. Do not stand or put weight on the product, this could cause damage.
7. Assemble the item as close to its final position (in the same room) as possible.
8. Assemble on a soft level surface to avoid damaging the unit or your floor (use an opened-out unit carton).
9. We do not recommend the use of power drills/drivers for inserting screws, as this could damage the unit. Only use hand screwdrivers.
10. Dispose of all packaging carefully and responsibly.
11. In case of rainy and snowy weather, please clean up the accumulated snow and water regularly to avoid excessive accumulation of rain and snow that will affect the stability of the structure.
12. The brown spot on the tube is not corrosion but the residue of passivation fluid which is used to protect the tube. It can be removed easily with hot soapy water but doing so would weaken the tube's corrosion resistance

NO.	PART	QTy
1		2
2		2
3		1
4		3
5		4
6		1
7		2
8		1
9		2
10		4
11		6
12		4
13		2
14		1
15		2
16		4
17		8
18		1
19		1
20		1

NO.	PART	QTy
21		1
22		1
23		8
24		1
25		12
26	 (L= 7.87" )	300
27		2
28		1
29	 (L= 3.94" )	200
30		1
31		1
A	 (M6×40)	22
B	 (M6)	1
C	 (L=124.67FT)	1

Note:  
Please note the orientation of the differently spaces holes in the pole. The wrong direction will cause some accessories not to be installed properly!



Size: mm

Place the pipe fitting parts based on number on the ground as shown in the picture above ;

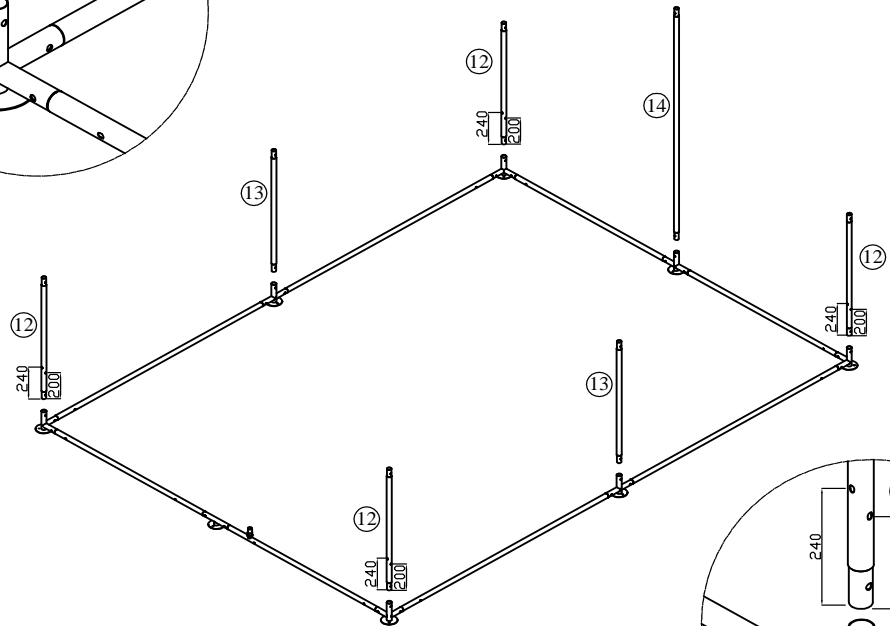
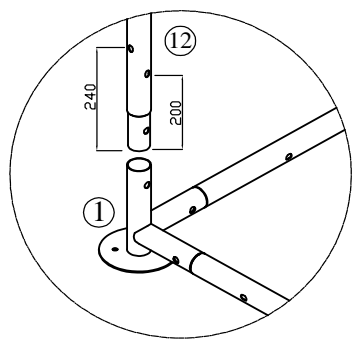
Cannot assemble Tube part #1 and Tube part #2 into wrong direction, otherwise it will affect future assembly.

Tube part #8 put the short hole distance tube on the edge, while long hole distance side on the middle (For lock the door)

Put the side of Tube part #9 with hole on the edge(lock tubes)

Put the side of Tube part #10 with hole on the edge(lock tubes)

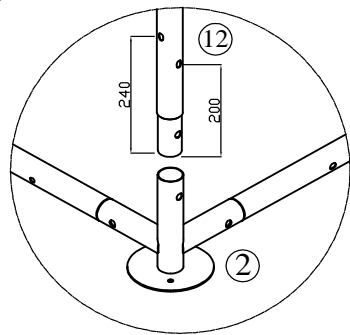
Tips: Recognize the hole distance by eye or measurement

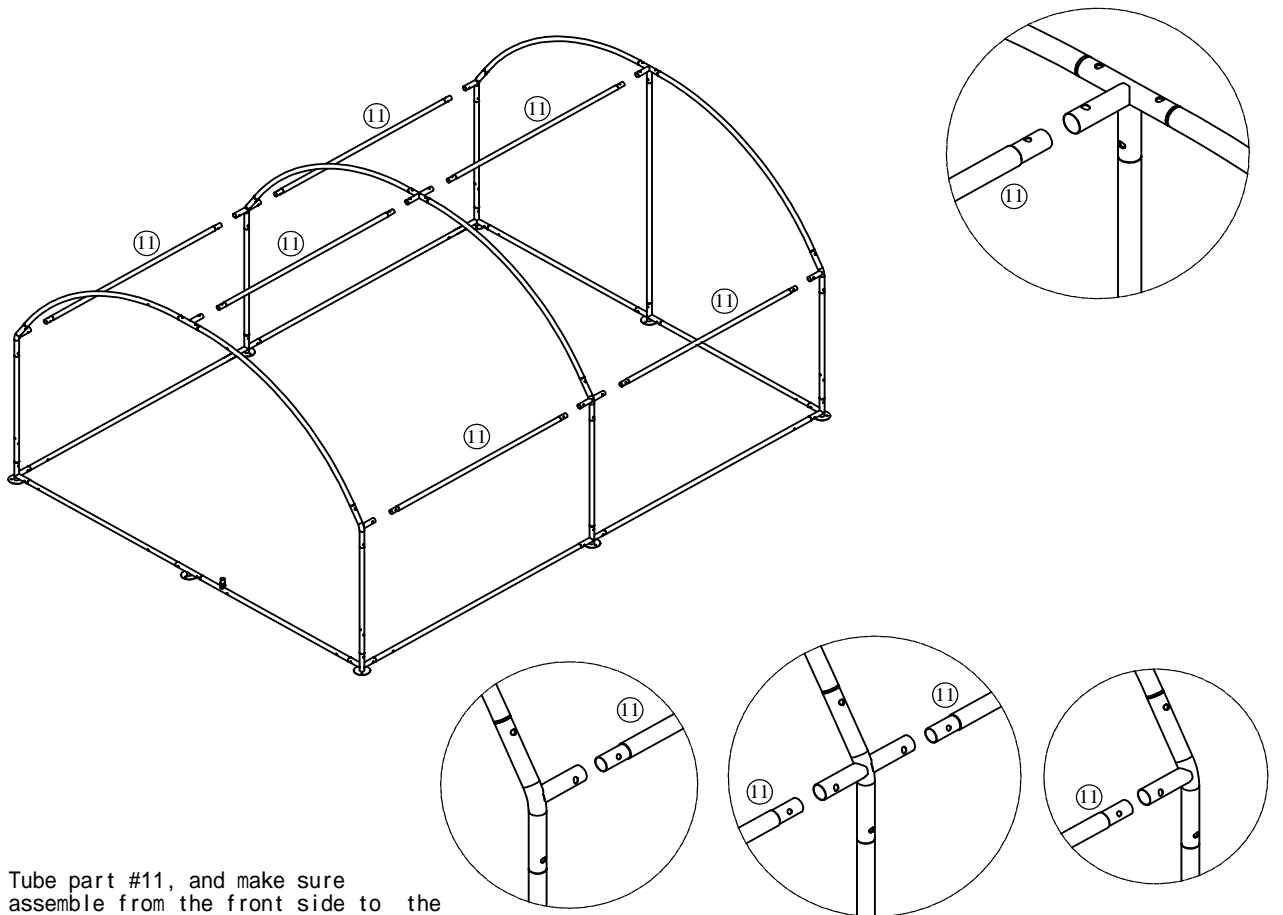
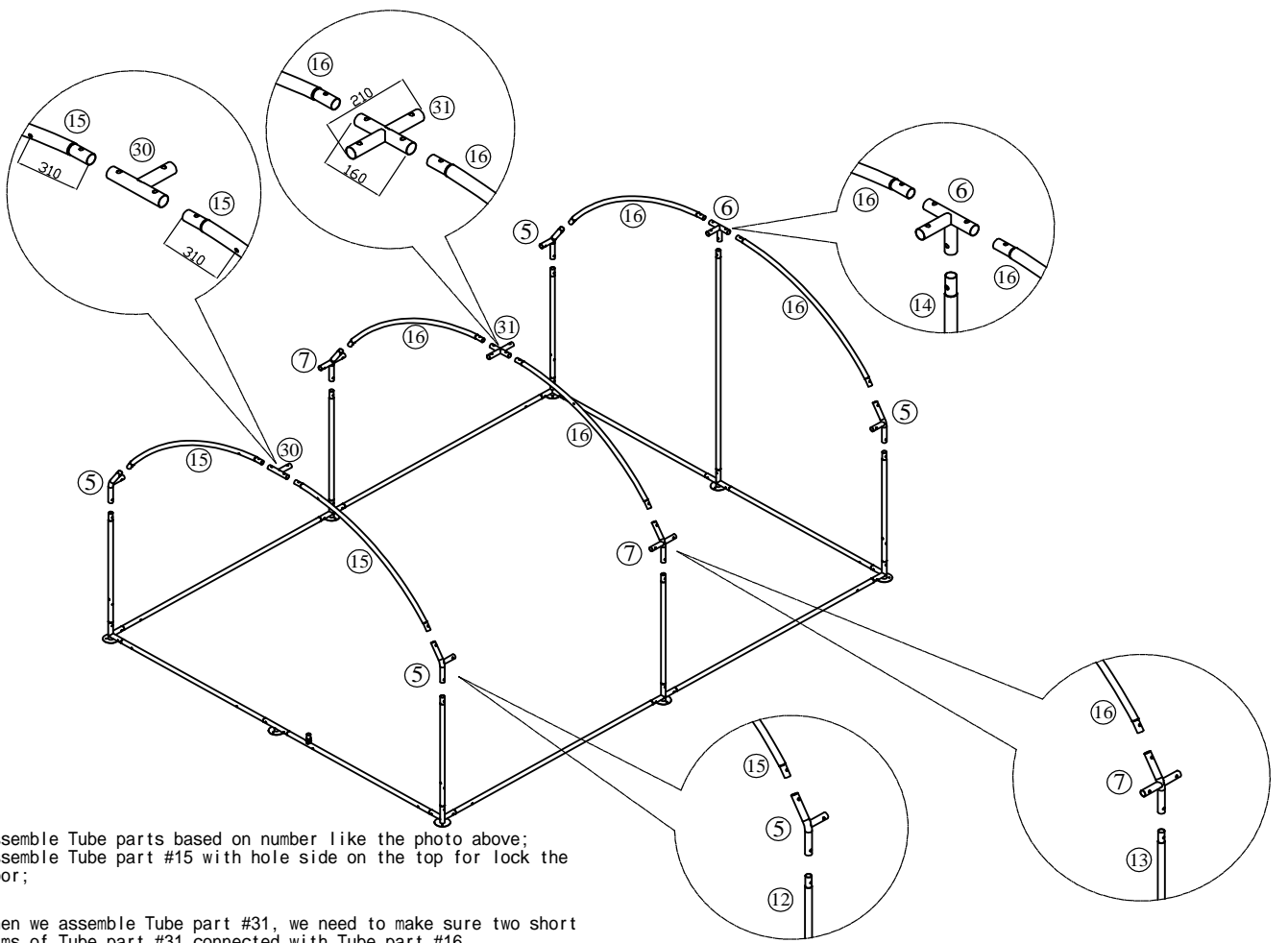


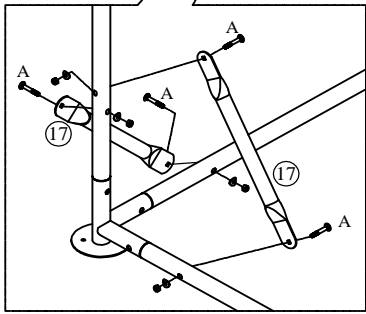
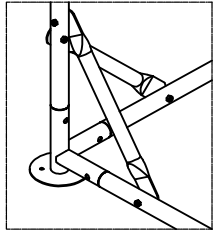
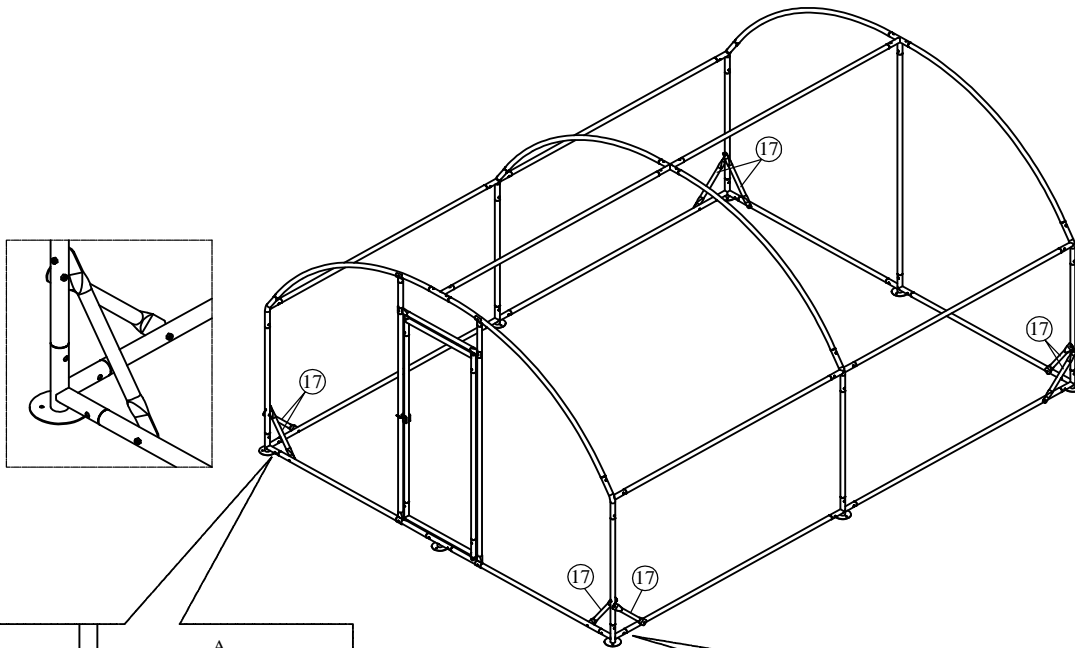
Size: mm

Put Tube part #12 with hole side on the bottom, and align the holes on the bottom tube part.

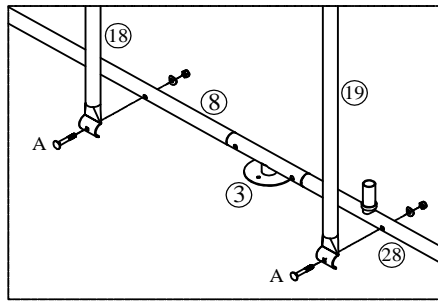
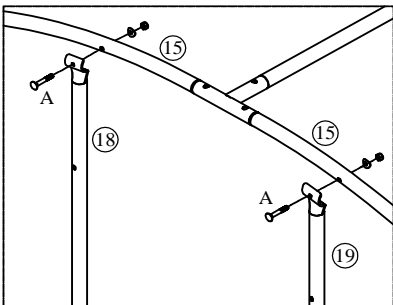
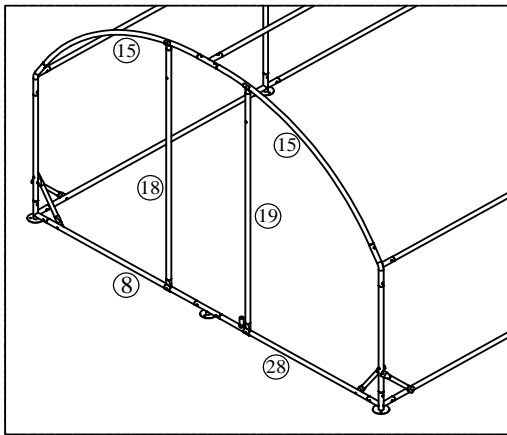
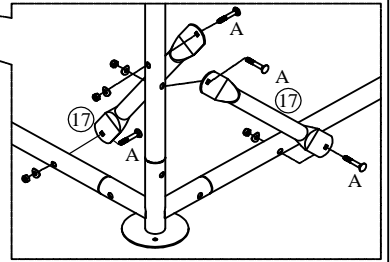
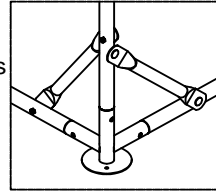
Tips: Recognize the hole distance by eye or measurement





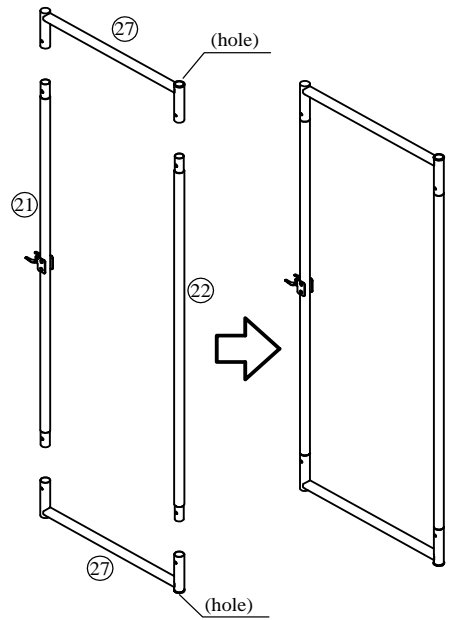


Lock Tube part #17 with screws



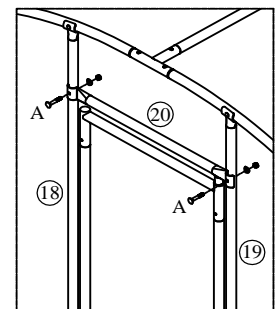
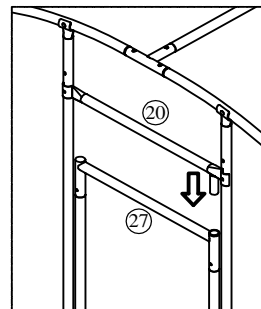
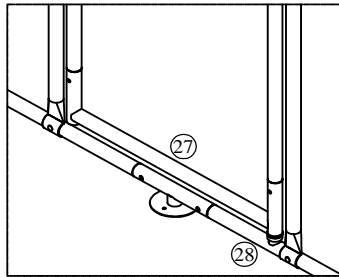
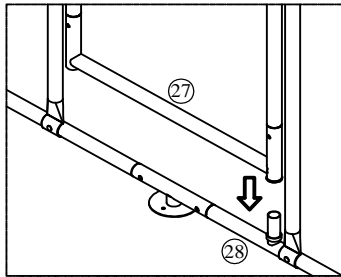
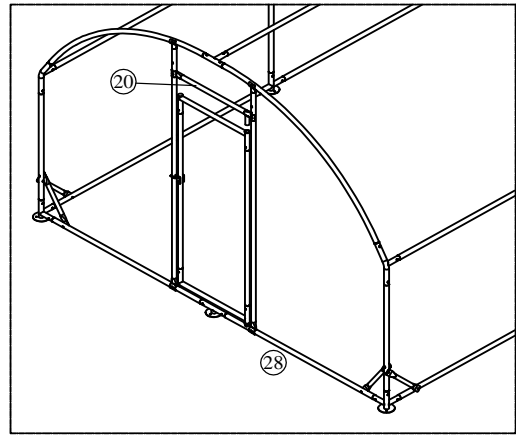
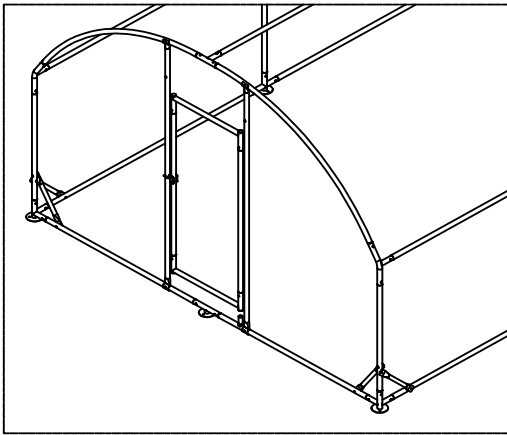
Assemble outside door frame:  
Assemble door frame part #18 and #19  
on the position shown on the photo,  
lock Tubes with screw A.

put the side of door frame part #18 #19 with  
hole on the top



Assemble inside door frame  
Make sure you arrange the same  
position for tube parts #21 #22 #27  
like the photo shown.

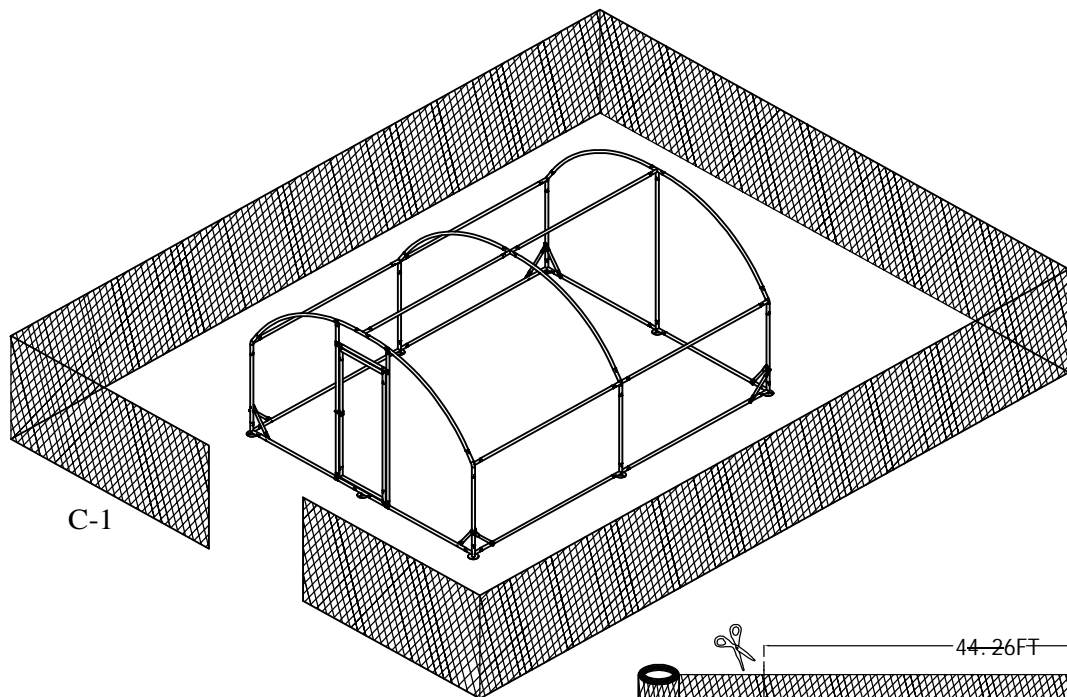
Make sure you arrange tube parts  
in the right direction.



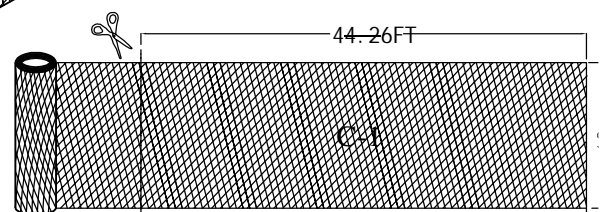
Put finished inside door frame into the top pipe of Tube parts #28

Tips: make sure put the side with holes into Tube part #28

Assemble Tube parts #20 on the top of inside door frame, and align the holes on the top of Tube parts #18 #19. Lock it with Screw A.

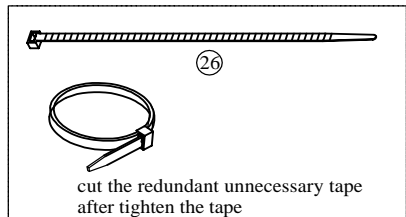
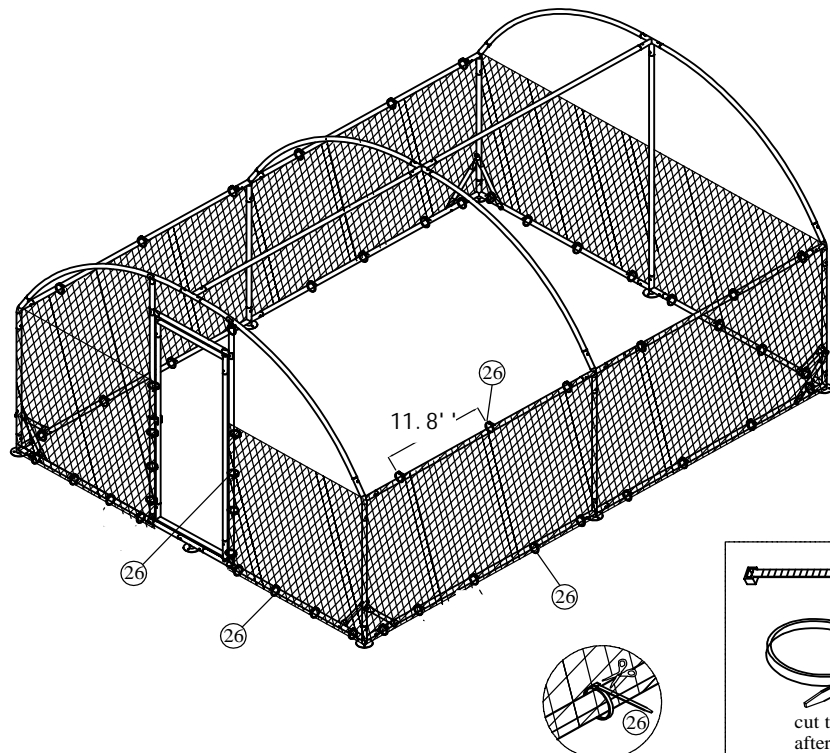


C-1



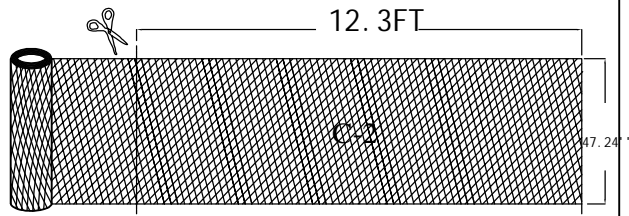
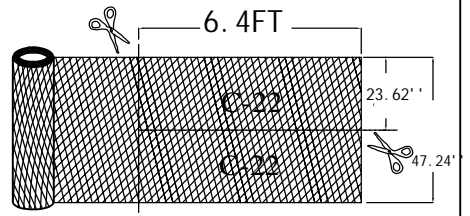
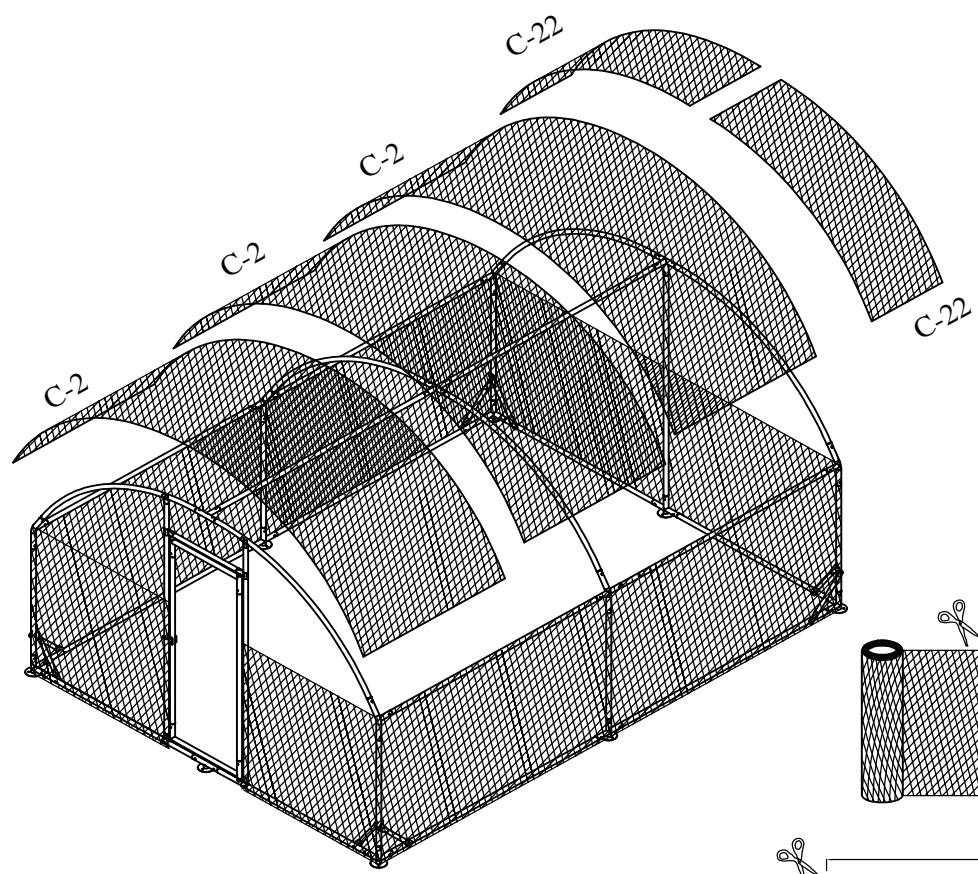
Pull the C piece of mesh, take off a 44.26 FT long section, and assemble the lower end front/back/left/right side;

(You can also pull the net apart and circle it around the frame, pull it tight to the right position and then cut it off)



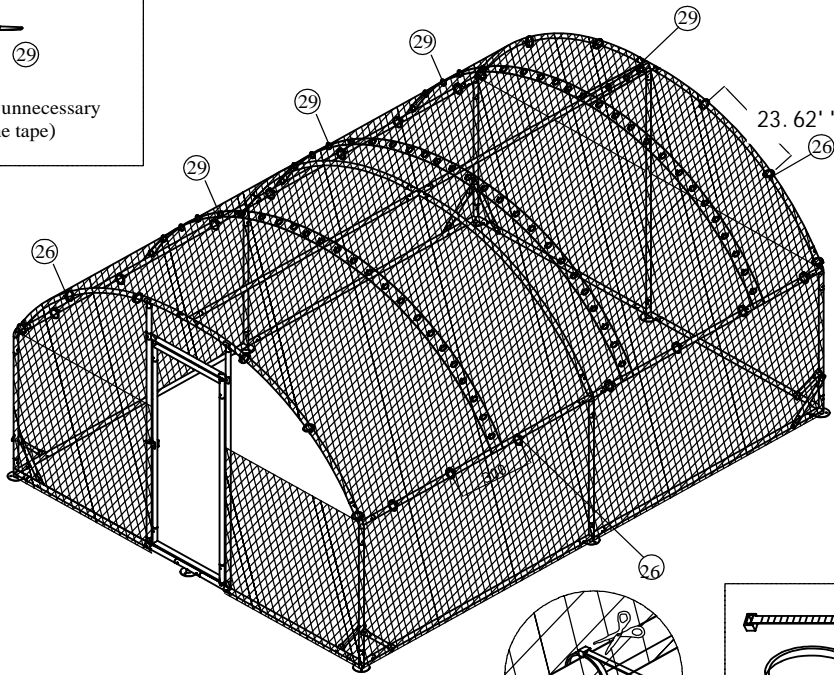
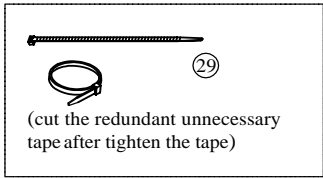
Fix the bottom of the C mesh/door opening/upper end to the frame with tape#26 (tie one at an interval of about 11.8");

The upper end of the mesh can be fixed a little farther (about 23.6" apart), and the roof mesh can be fixed together when a little more dense;



Pull the C piece of mesh, cut 3 pcs 12.3 FT long off, and assemble the roof ;  
 Pull the C piece of mesh, cut 2 pcs 6.4 FT long off, and assemble the roof ;  
 (The mesh can also be pulled directly on the roof, pulled tight to the appropriate position and then cut)

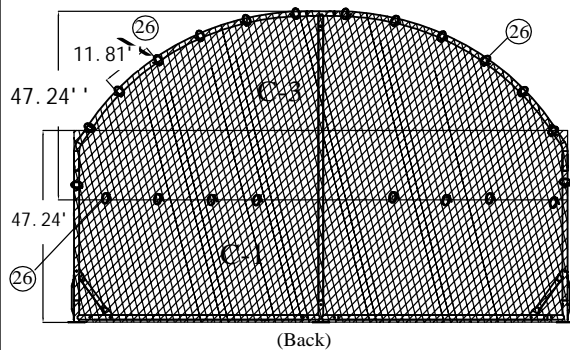
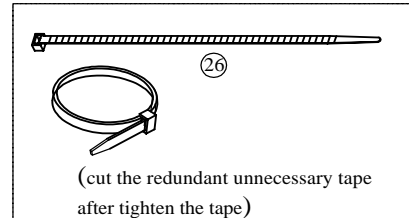
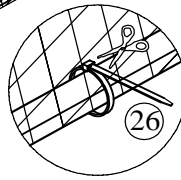




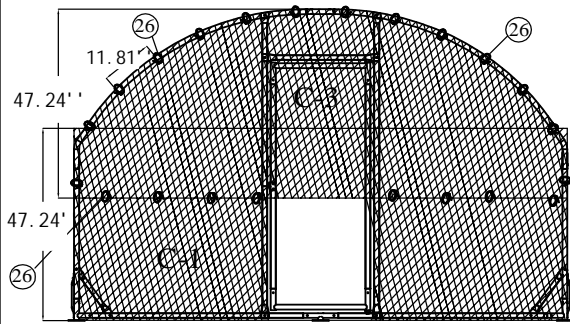
Fix the C piece of mesh on the frame with Tape #26 (Tie 1 pc at an interval of about 11.8'');

Tie the two overlapping pieces of the C mesh together with Tape #29 (Tie 1 piece at an interval of about 23.62'');

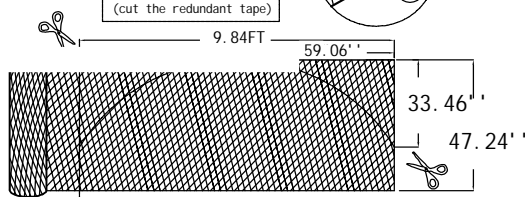
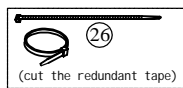
When the front and back ends are fixed, they can be tied further (1 pc at an interval of about 23.62''), and when the front and back mesh are assembled and fixed, they can be tied more closely.



(Back)

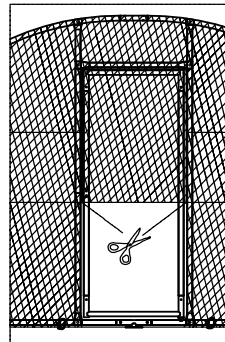


(Front)

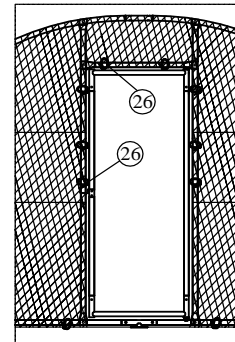


C-3

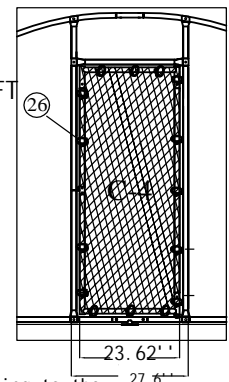
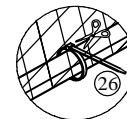
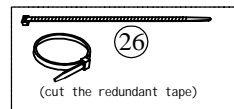
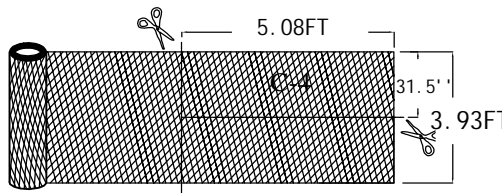
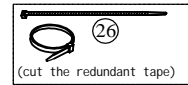
Pull the C piece of mesh and spread it to the upper end of the front and back side shelves;  
After fixing with Tape #26, remove the contour mesh. Then fix it with Tape #26 (Tie about 11.8'' apart)  
(The overlap of the two pieces of the mesh is also tied together with Tape #26)



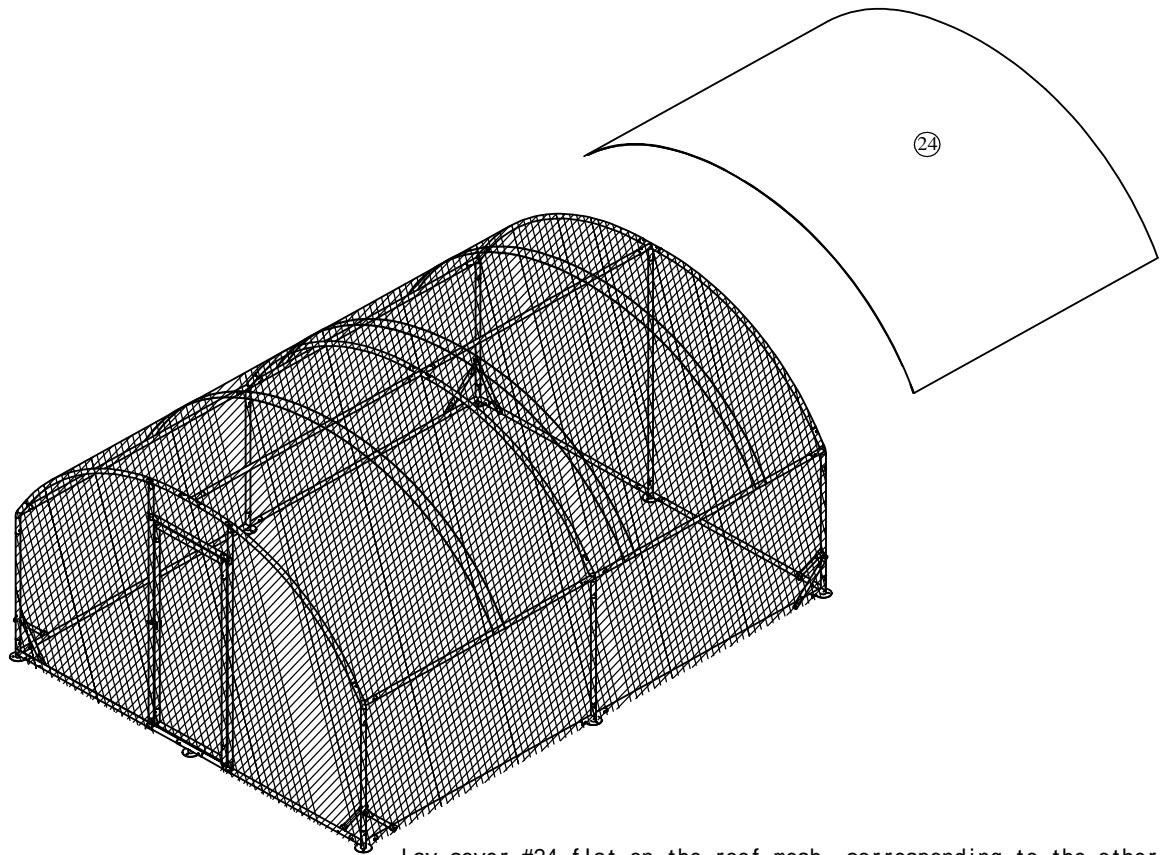
Along the outdoor door frame, Cut redundant material off from the inside of door frame.



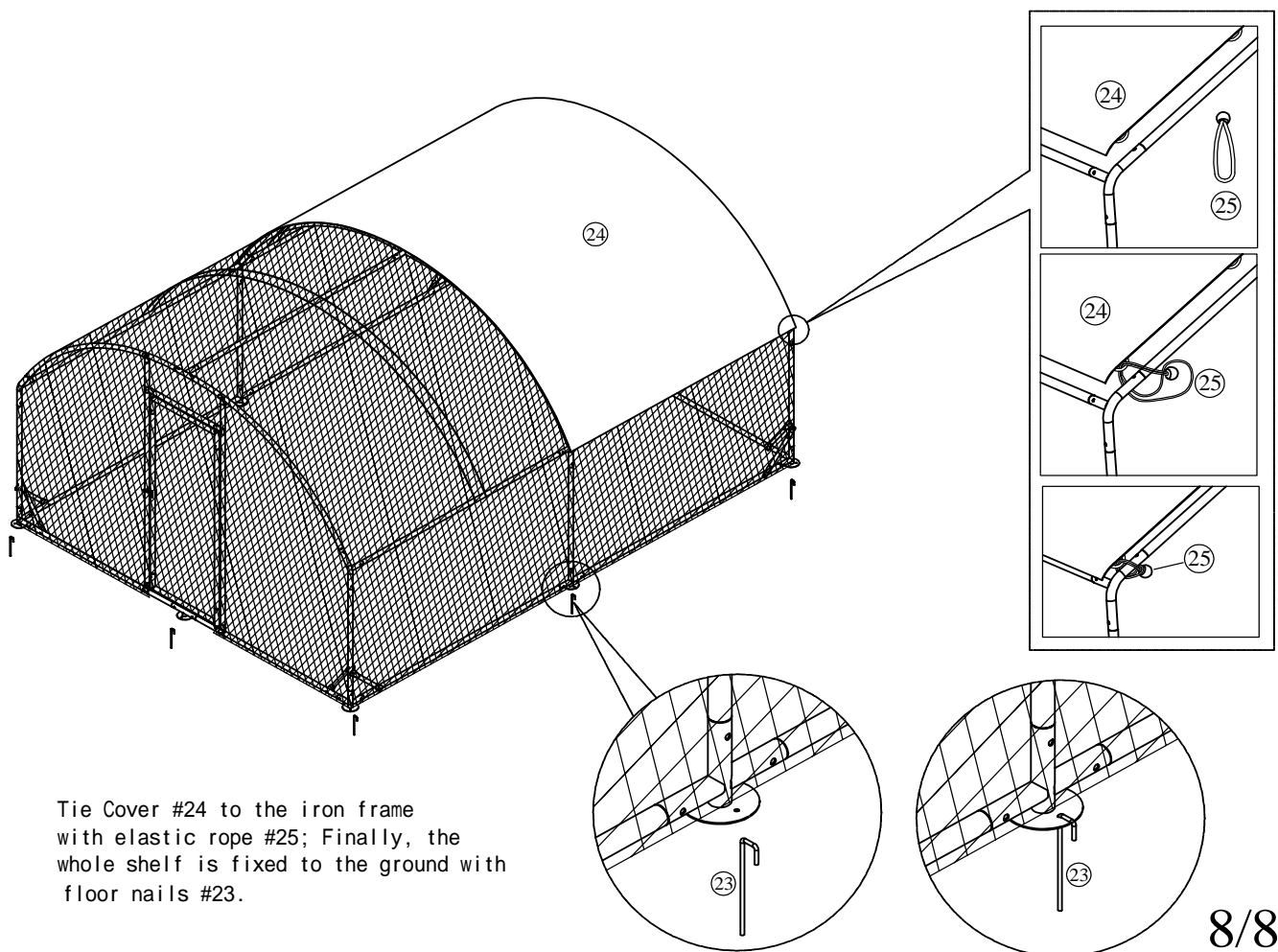
After cutting off, fix outside door frames with Tape #26 (tie each tape at an interval of about 11.8'').



Pull the mesh #C apart and remove the mesh according to the photo;  
(or pull open the position on the shelf corresponding to the inner door frame, and then remove the outside mesh)  
Fix it with Tape #26 (Tie each tape at an interval of about 11.8'')



Lay cover #24 flat on the roof mesh, corresponding to the other end of the door;



Tie Cover #24 to the iron frame with elastic rope #25; Finally, the whole shelf is fixed to the ground with floor nails #23.



