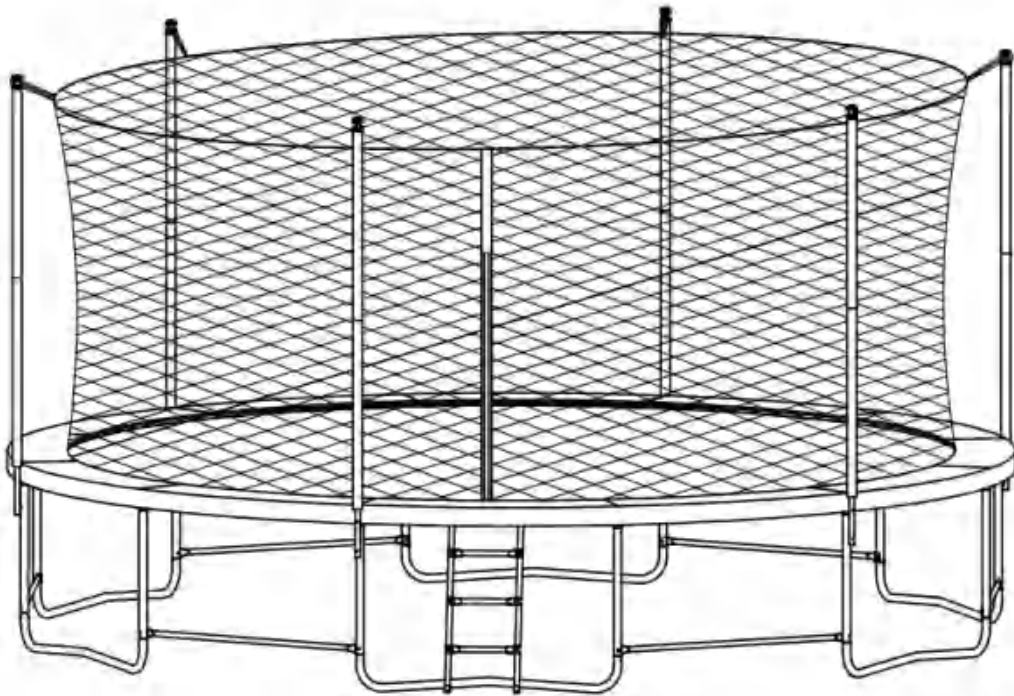


# TRAMPOLINE

WITH ENCLOSURE NET

U S E R M A N U A L

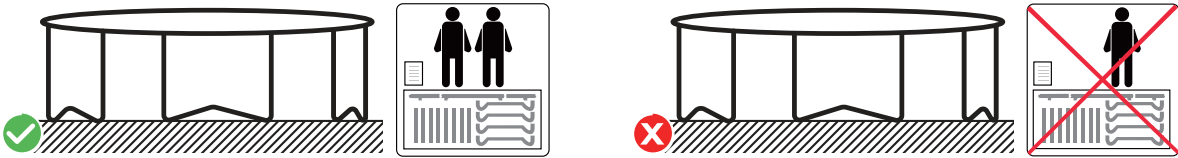


**Thank you for purchasing our product**

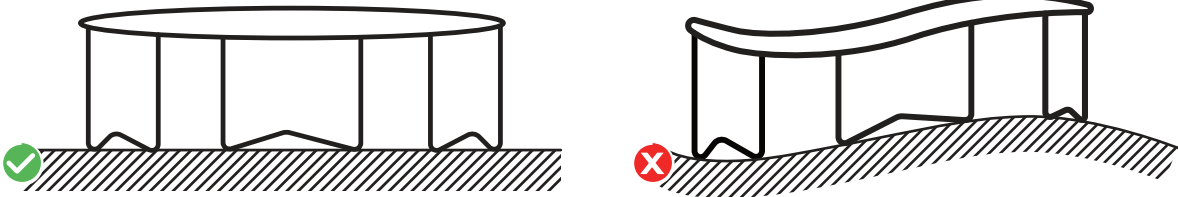
**IN CASE OF MISSING OR BROKEN  
PARTS, PLEASE CONTACT PLACE OF  
PURCHASE FOR ASSISTANCE.**

**Warning: We are not liable for any injuries that may occur when using the trampoline.**

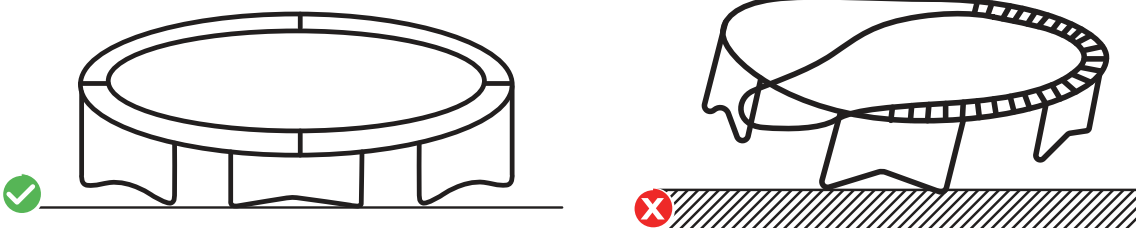
# INSTALLATION WARNING



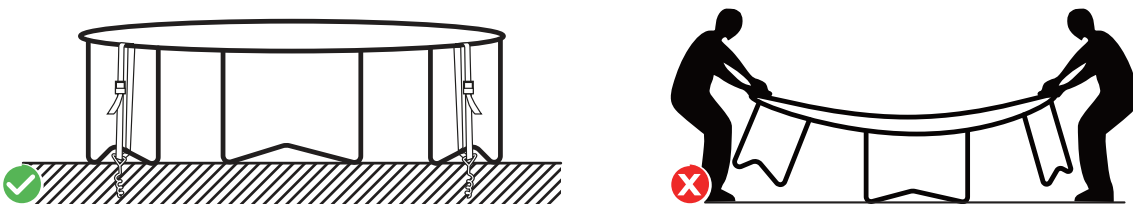
1. Please make sure at least 2 people install the trampoline.



2. Please install the trampoline on the flat and non-slippery ground.



3. Please install the springs in the X-shape order one by one as requested in the instructions.



4. Please do not move or lift the trampoline during or after installation but use the tie down stakes kit to secure it.

# USE WARNING



Do not somersault or flip.



Do not dunk and hold onto the ring.



Do not jump onto the trampoline from a height.



Do not intentionally hit the safety enclosure net.



Do not use the trampoline in stormy weather but disassemble and store it.



Do not exceed 330lbs for a single user and do not exceed the total weight for multiple users.



Do not place any sharp objects on the trampoline.

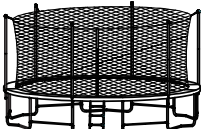
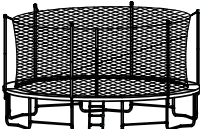
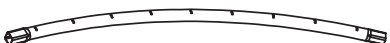
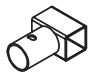








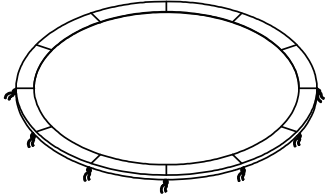


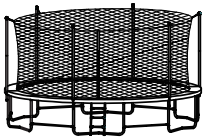
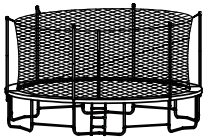
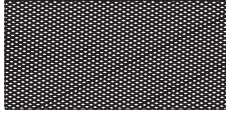


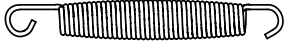
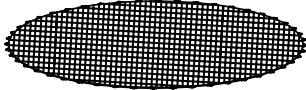

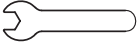
Do not use during pregnancy, high blood pressure or other injuries.

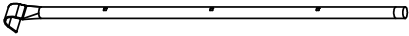
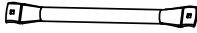



# ADDITIONAL SAFETY WARNING

- Read all instructions before using the trampoline.
- Use trampoline only under adult supervision.
- Not recommended for children under six years old.
- Secure the trampoline against unauthorized use.
- Use only when the jumping mat is clean and dry.
- Do not use the trampoline without the spring cover pad.
- Do not use the trampoline while under the influence of alcohol or drugs.
- Do not smoke while using the trampoline.
- Do not use the trampoline as a spring board to jump onto other objects. Do not jump from other buildings or object surfaces, onto the trampoline or into or over the trampoline enclosure.
- Never set up or continue to use the trampoline in heavy rain, wind, or storm weather, especially lightning storms. It's recommended that disassemble and store the trampoline in bad weather.
- Inspect carefully before using and replace any worn, defective or missing parts.
- Avoid bouncing too high. Maintain control. Do not try to jump over the enclosure.
- Do not jump and try to hang onto the top of the netting or the enclosure pole.
- Don't intentionally kick, bounce against, climb on, hang from, jump over or crawl under the enclosure.
- Wear clothing free of drawstrings, hooks, loops, or anything that could get caught in the enclosure.
- Enter and exit the enclosure only through the zipper door. Do not crawl under the trampoline. Do not go through the gap between the enclosure and the mat.
- Misuse of the enclosure may result in serious injury or death.
- Users may become entangled in or strangled by loose cords or in gaps between trampoline and enclosure.
- Keep the enclosure tightly fastened to the trampoline in accordance with the manufacturer's instructions.
- Failure to properly assemble and maintain a tight, secure trampoline/enclosure boundary may result in serious injury, strangulation or death.

			 15FT	 16FT
1		Frame	12pcs	12pcs
2		T Connector	12pcs	12pcs
3		Leg Extension With 3 holes	6pcs	6pcs
4		Leg Extension With 2 holes	6pcs	6pcs
5		W Leg	6pcs	6pcs
6		Balance Bar	6pcs	6pcs
7		Bottom Pole	6pcs	6pcs
8		Upper Pole	6pcs	6pcs
9	 M6*47	Screw set 9	6pcs	6pcs
10	 M6*50	Screw set 10	12pcs	12pcs
11		Frame Cover	1pc	1pc

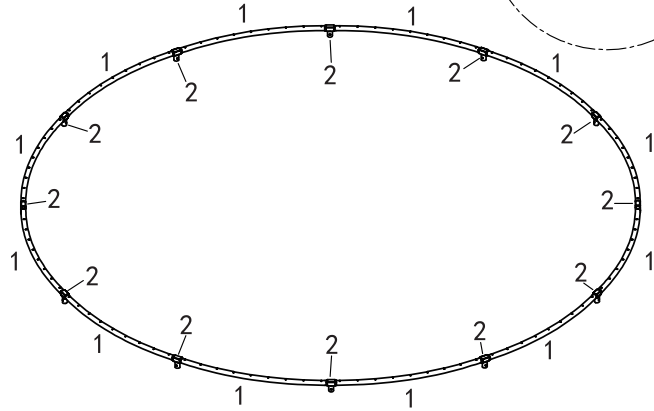
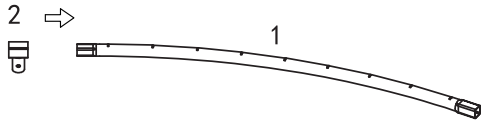
				
			15FT	16FT
12		Enclosure Net	1pc	1pc
13		Net Rope	9pcs	10pcs
A	 M6*75	Screw set A	12pcs	12pcs
B		Spring	96pcs	108pcs
C		Jumping Mat	1pc	1pc
D		Spring Tool	1pc	1pc
E	 M6	Wrench	1pc	1pc

F		Ladder Tube F	2pcs	2pcs
G		Ladder Tube G	3pcs	3pcs
H	 M6*35	Ladder Screw Set	6pcs	6pcs

## STEP 1

Insert Steel T-Connector (#2) into the frame Tube #1, until it forms a circle. Please make sure thick hole always matches thin hole.

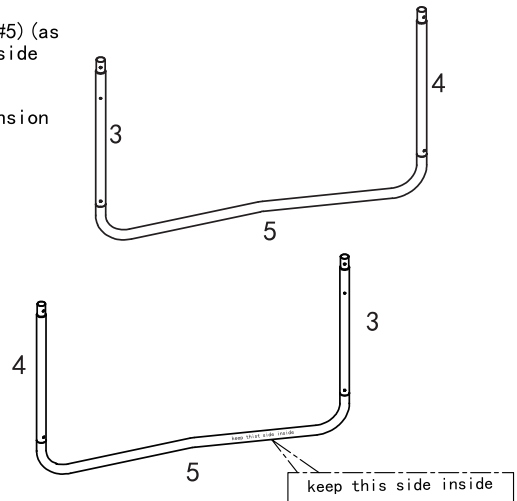
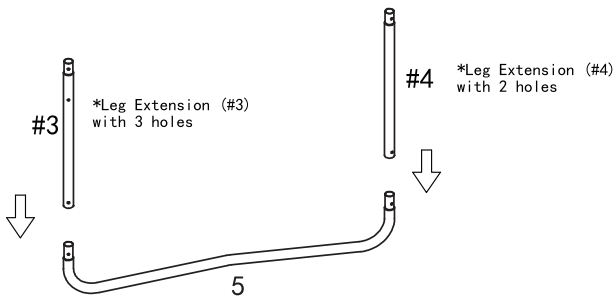
Tips: if the tubes do not fit perfectly, you can knock the tubes with hammer and make tubes stick out perfectly. The frame will be more durable and stable.



## STEP 2

Assemble leg extension (#3) (#4), W shaped legs (#5) (as the picture show). Always make sure the sticker side of W shaped legs face to the inside of trampoline.

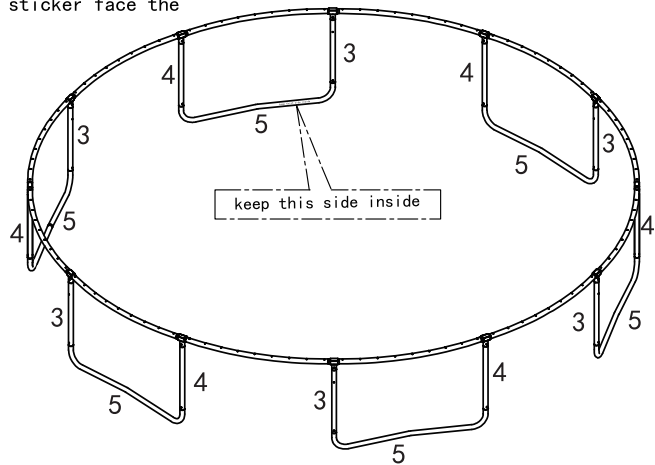
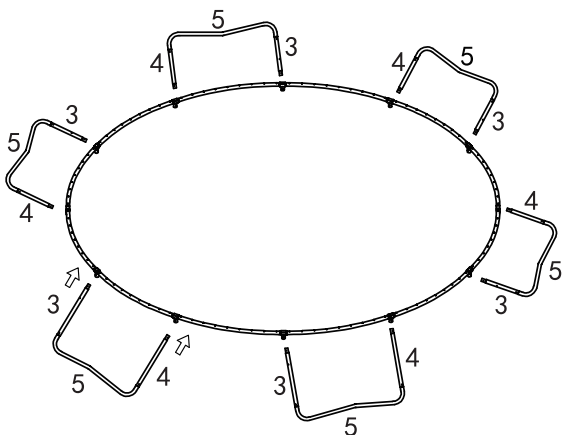
Assemble leg extension (#3) on the left, leg extension (#4) on the right.



## STEP 3

Continue to assemble finished W shaped legs (#5) with Leg extension (#3 #4) under the finished Circle frame (#1) through the round hole of Steel T-Connector (#2).

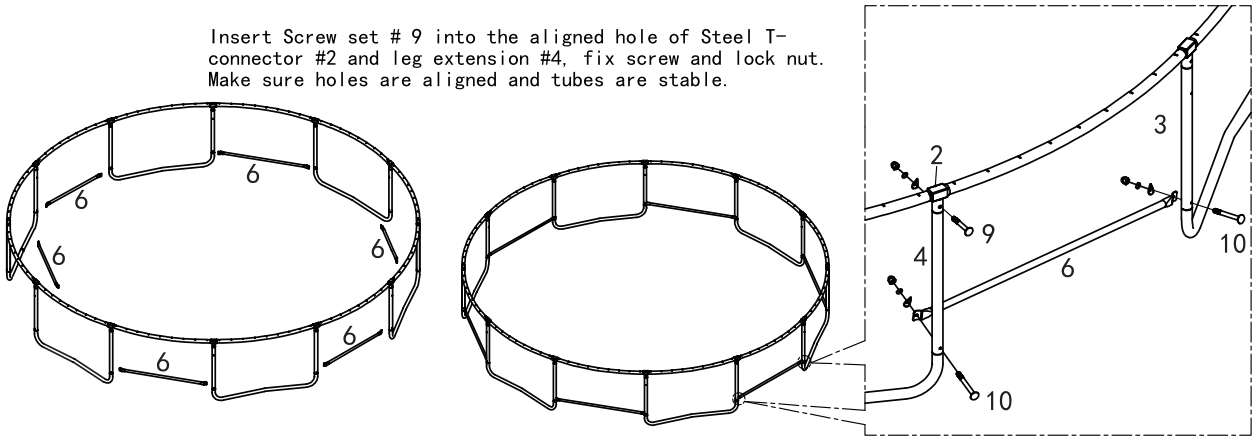
Tips: Make sure W shape legs #5 with sticker face the inside of trampoline.



## STEP 4

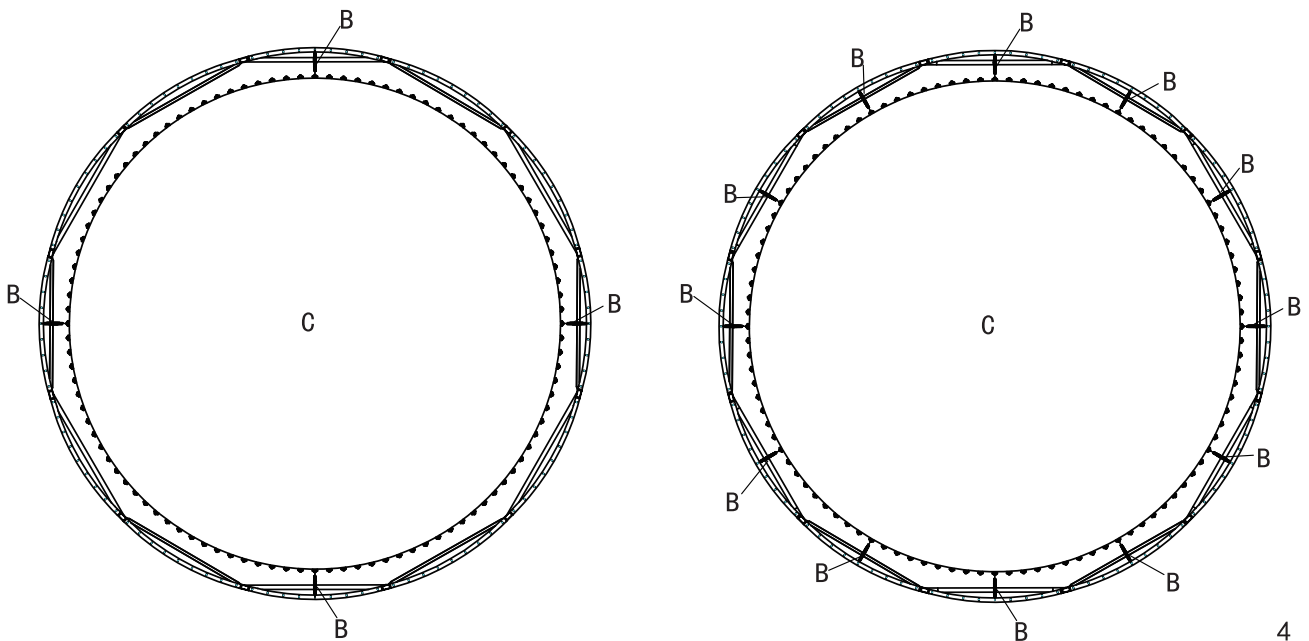
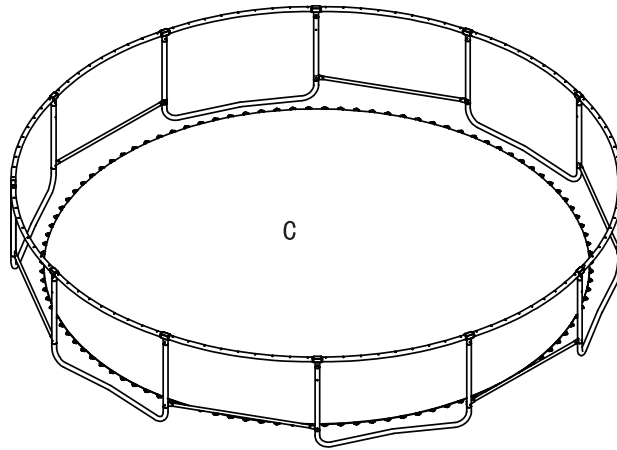
Assemble Balance Bar \*#6) behind the hole of leg extension (#3 #4) (as the picture show), and lock it with Screw set (#10).

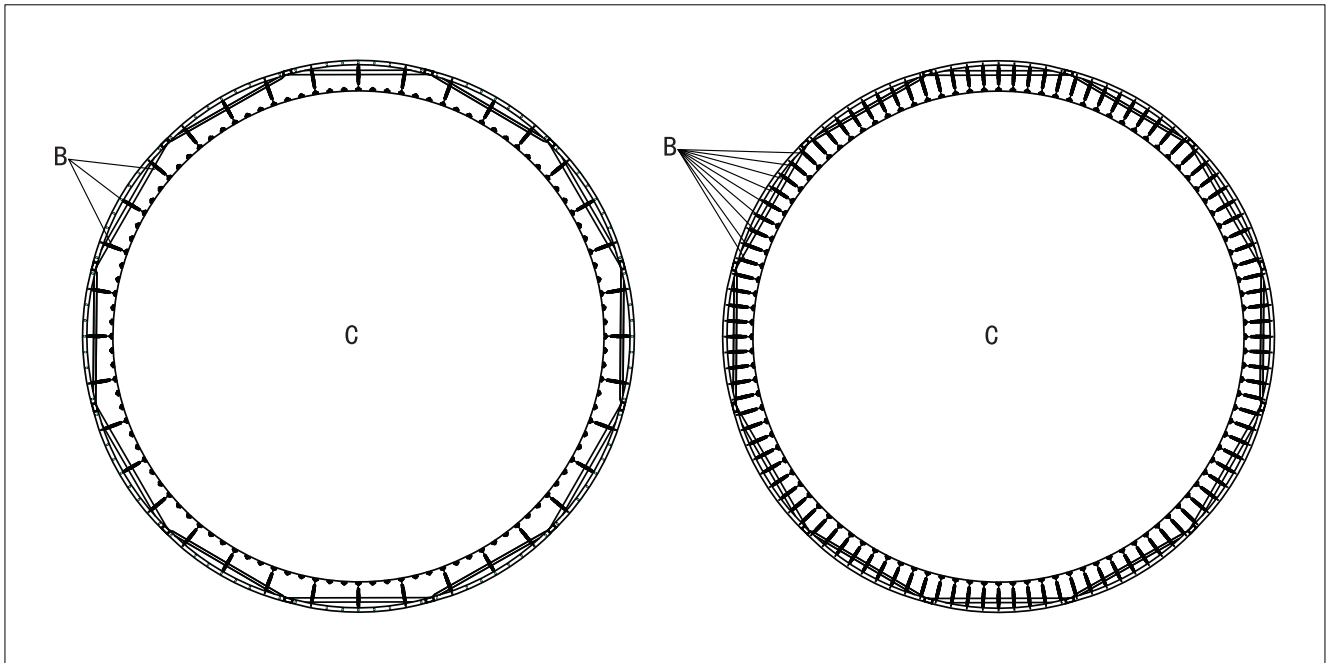
Insert Screw set # 9 into the aligned hole of Steel T-connector #2 and leg extension #4, fix screw and lock nut. Make sure holes are aligned and tubes are stable.



## STEP 5

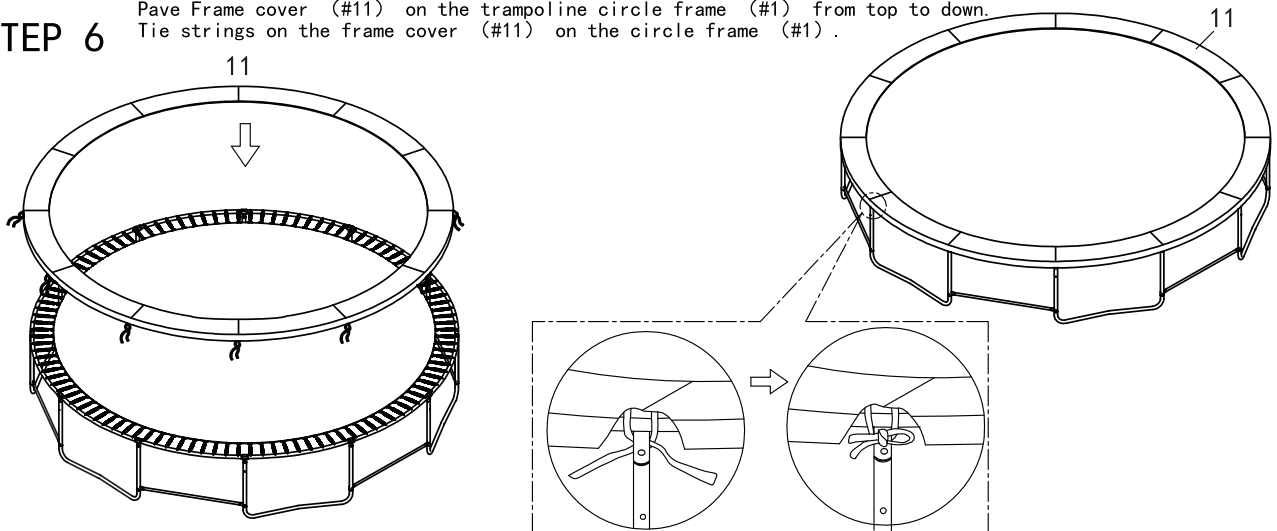
Layout the Jumping Mat (#C) inside the circle frame. Insert Spring (#B) in the triangle ring of the Jumping Mat (#C) and pull it with Loading Spring Tool (#D) and then insert the other end into the frame tube hole.





**STEP 6**

Pave Frame cover (#11) on the trampoline circle frame (#1) from top to down. Tie strings on the frame cover (#11) on the circle frame (#1).

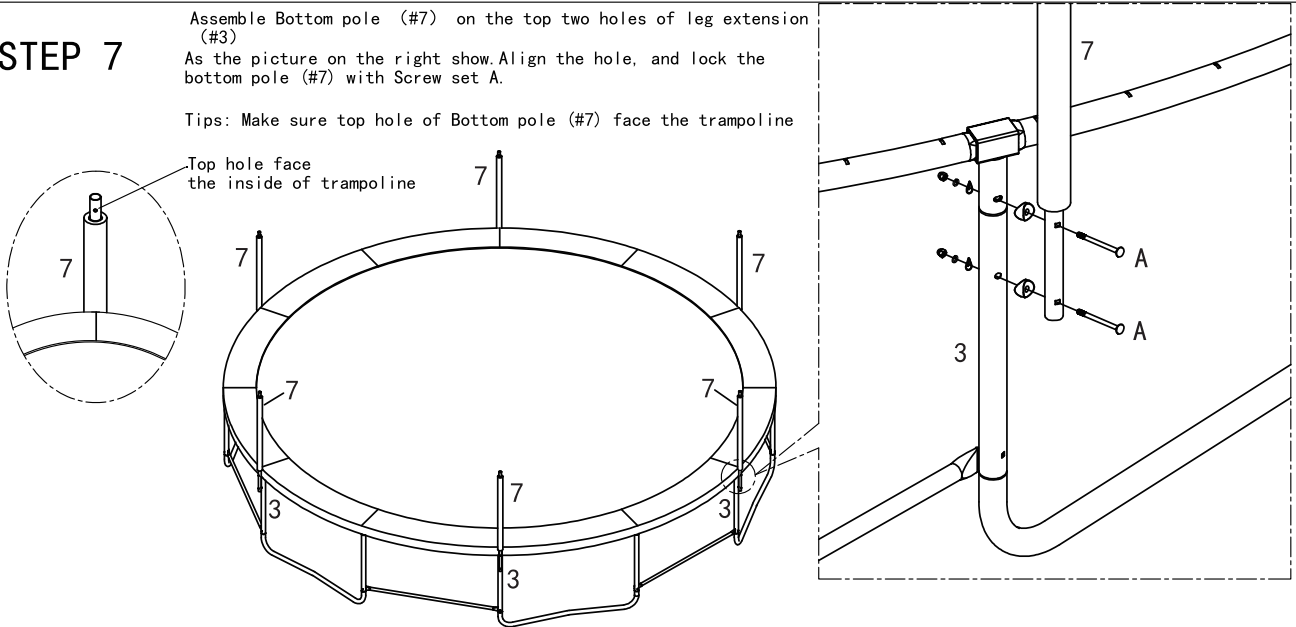


**STEP 7**

Assemble Bottom pole (#7) on the top two holes of leg extension (#3)

As the picture on the right show. Align the hole, and lock the bottom pole (#7) with Screw set A.

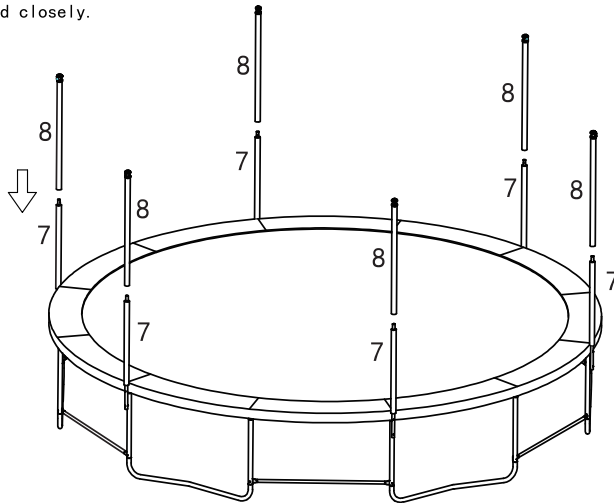
Tips: Make sure top hole of Bottom pole (#7) face the trampoline



Insert upper pole #8 on the top end of Bottom pole (#7).

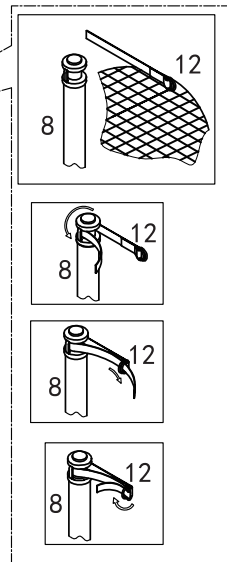
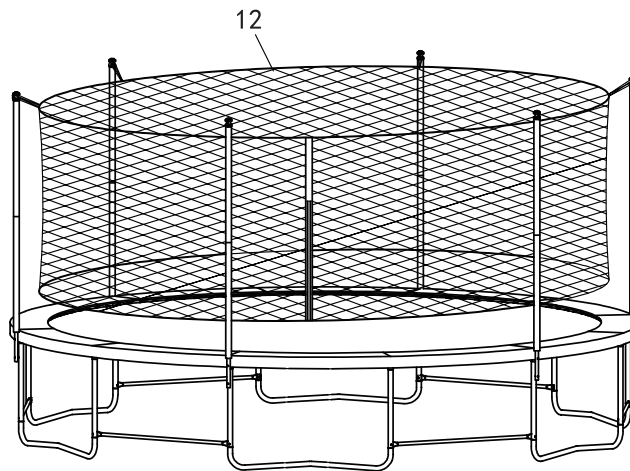
### STEP 8

Press the bump and make upper pole #8 and bottom pole (#7) connected closely.



### STEP 9

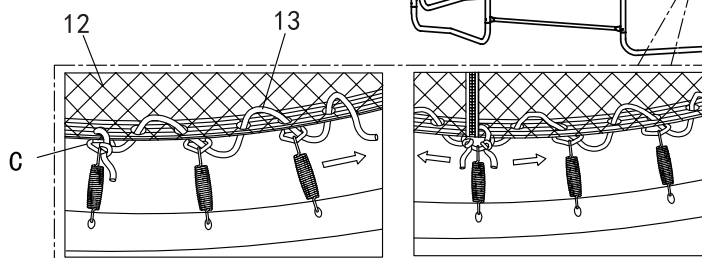
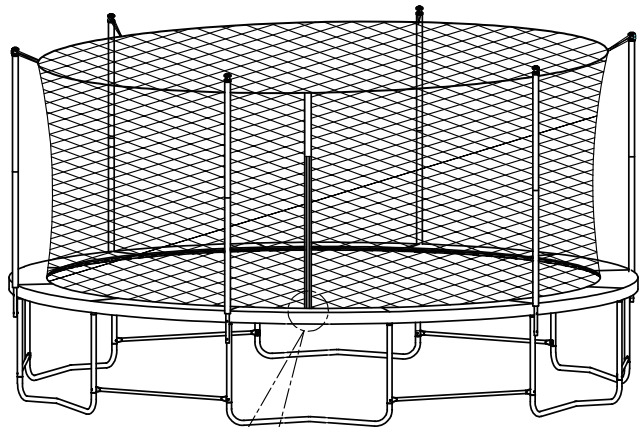
Pass 6 straps on the Enclosure net (#12) through the ring of the Upper pole (#8), along the upper pole (#8). Tie it up just like the photo on the right



### STEP 10

Net Rope (#13) on a rope from the bottom edge hole of Enclosure net (#12) to metal triangular ring of jumping mat (#C).

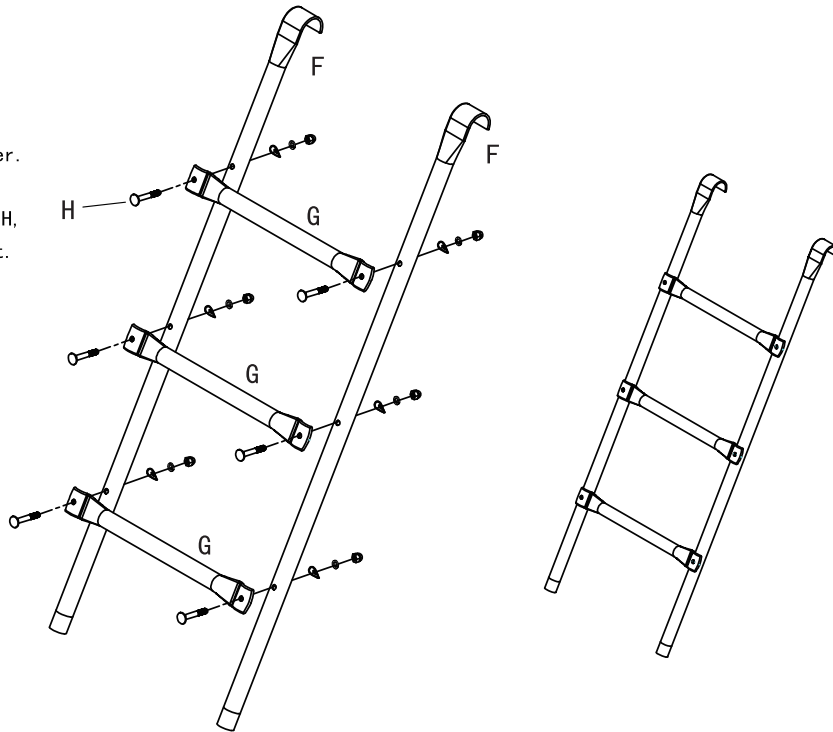
Tie strings forms a entire circle, like the photo below. Mare sure start to tie strings from either side of zipper door.



## STEP 11

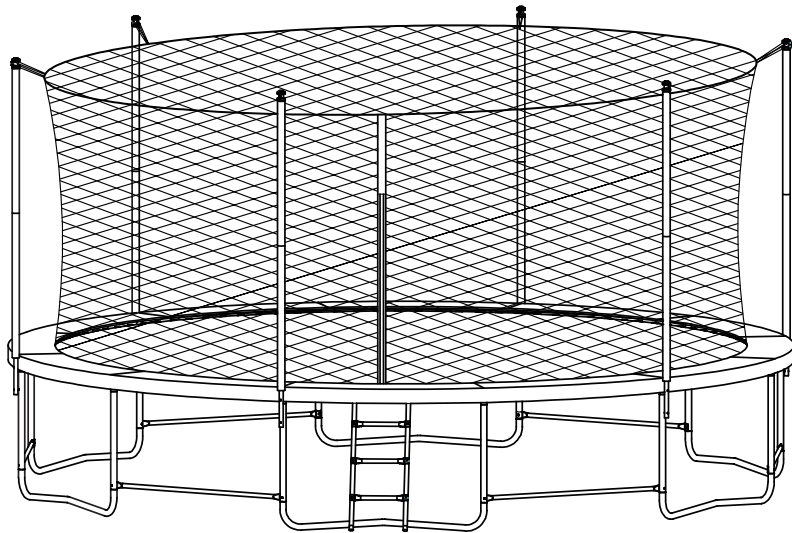
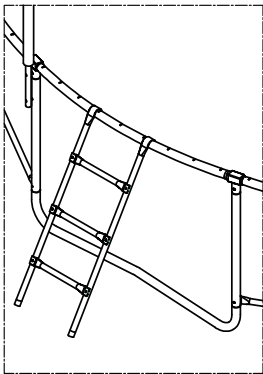
Ladder Tube # F and Ladder Tube # G are parts of ladder.

Lock ladder with screw set H, like the photo on the right.



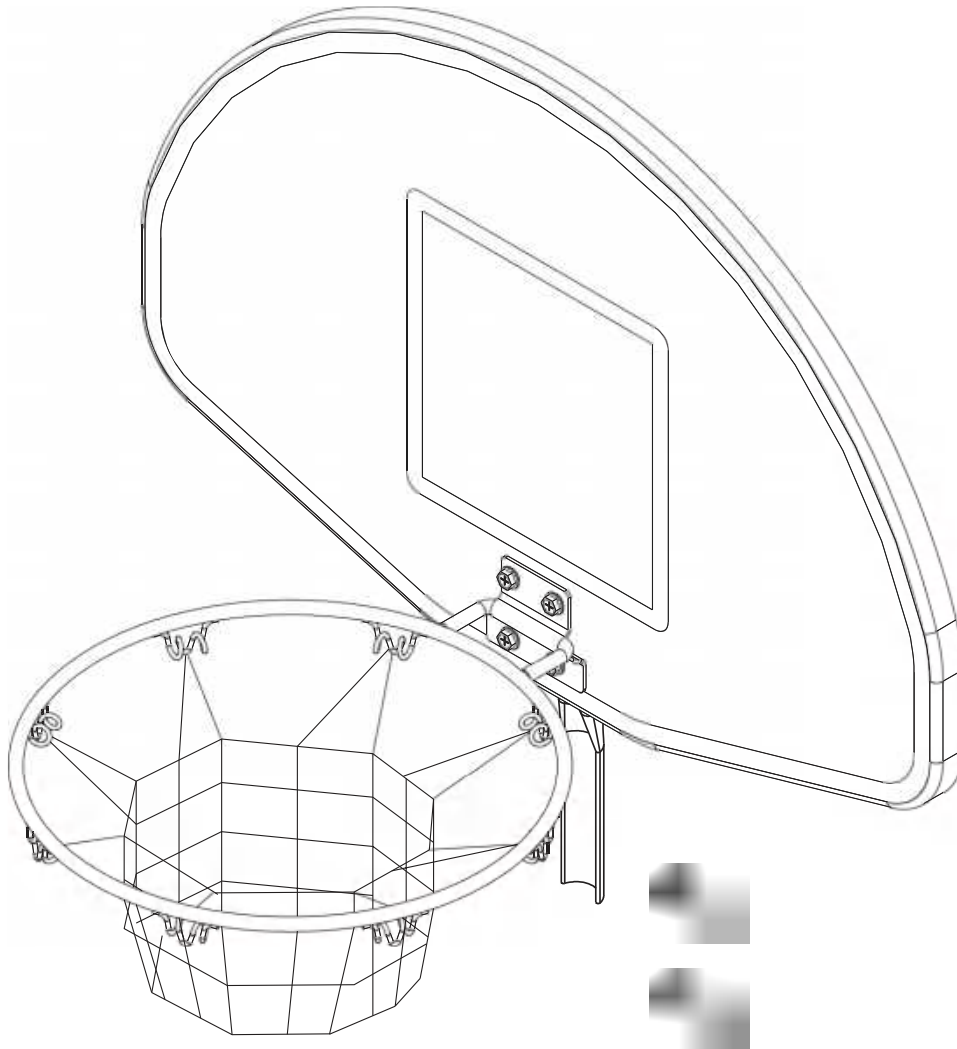
## STEP 12

Put finished ladder under the zipper door of trampoline.





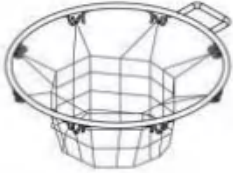
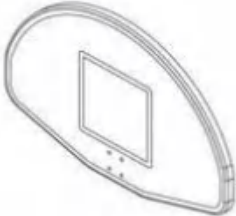
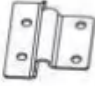








# BASKETBALL HOOP INSTALLATION MANUAL



## **⚠ WARNING**

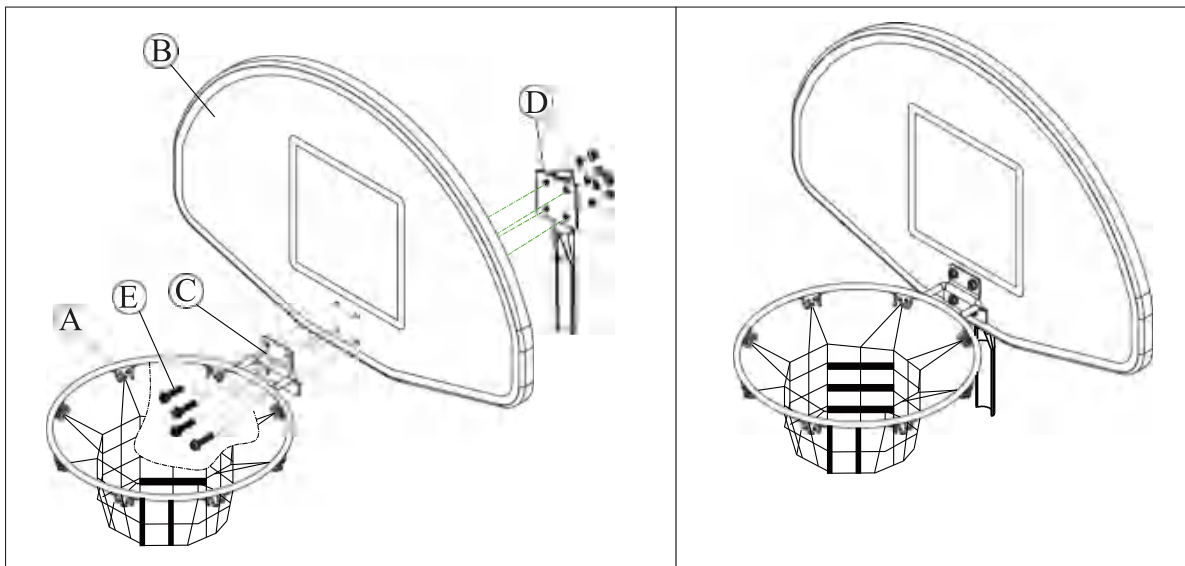
- \* Read and follow this installation manual
- \* Adult assembly required

## PARTS LIST

 <p>A 1PC</p>	 <p>B 1PC</p>	 <p>C 1PC</p>	 <p>D 1PC</p>
 <p>E (M6×28) 4PCS</p>	 <p>F (M6×20) 2PCS</p>	 <p>G 1PC</p>	 <p>H 1PC</p>
 <p>I 2PC</p>	 <p>J 1PC</p>	 <p>K 1PC</p>	

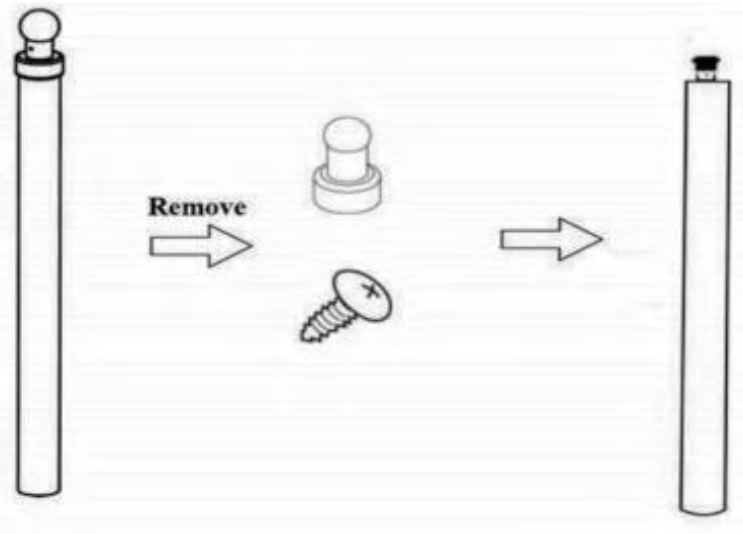
## ASSEMBLY

Step 1 : Connect A and B with C, D and E



Warning ▲ : please don't dunk, or you will damage the basket and trampoline.

Step 2: Select an upper pole to remove the cap, then install a flat cap



Step 3: Connect D and upper pole tube of trampoline with F.

