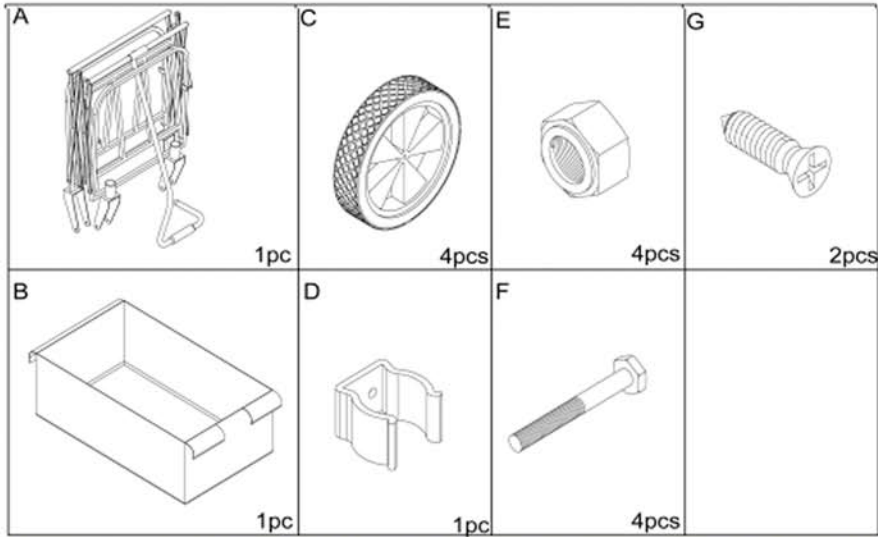


INSTRUCTION MANUAL

Parts List



Assembly: please use tools such as screwdrivers, wrenches, pliers to tighten the screws. it comes off easily if you tighten it by hand only.

