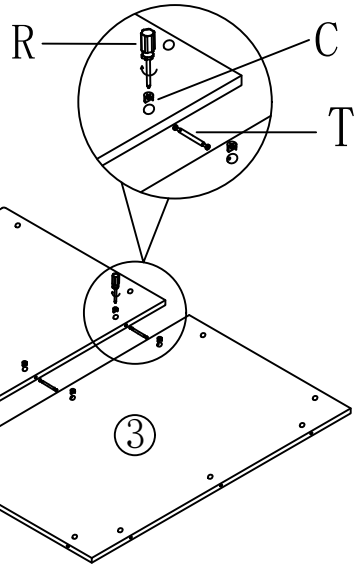
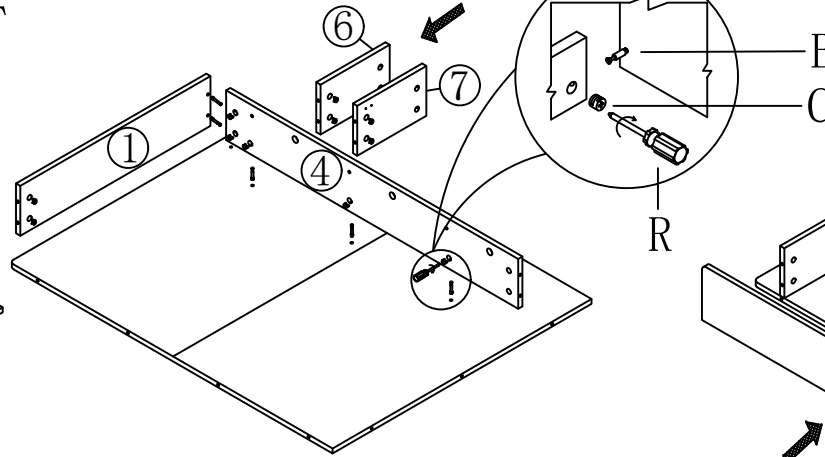


ASSEMBLY INSTRUCTION

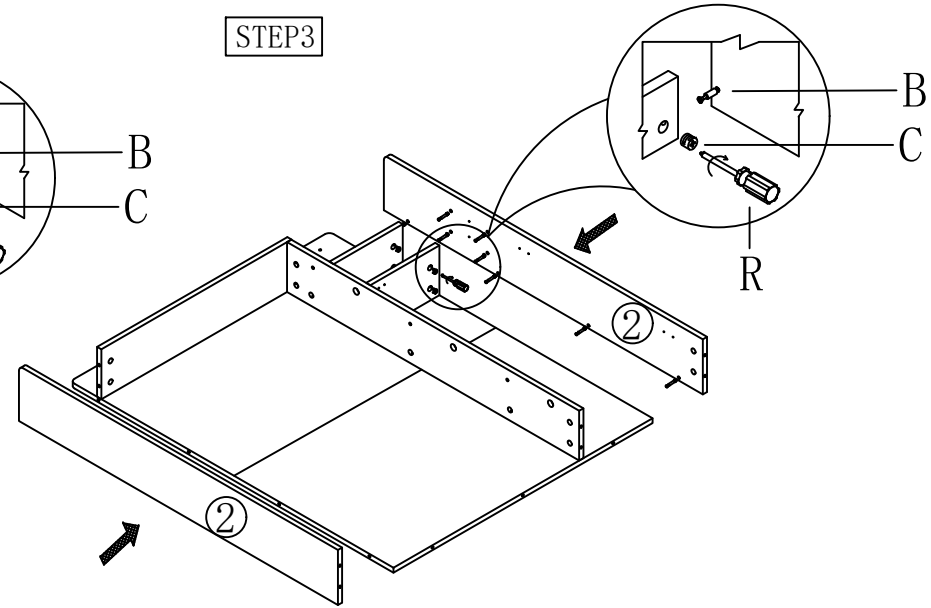
STEP1



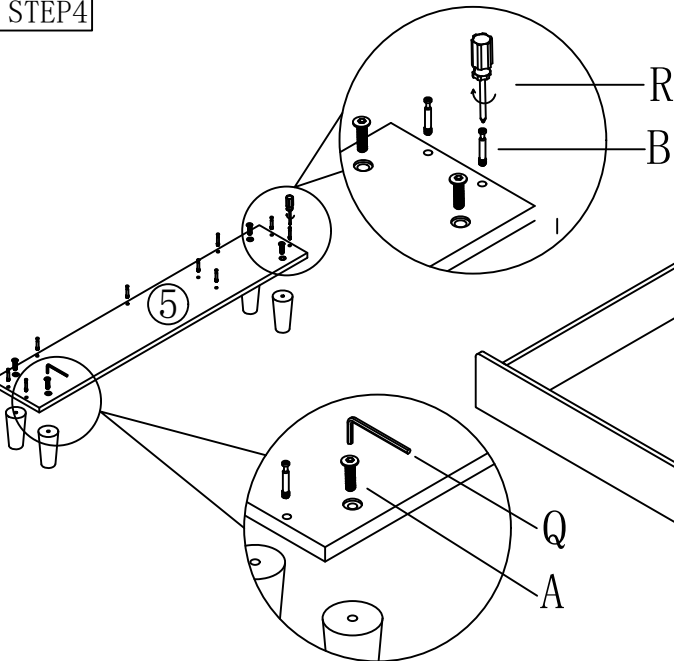
STEP2



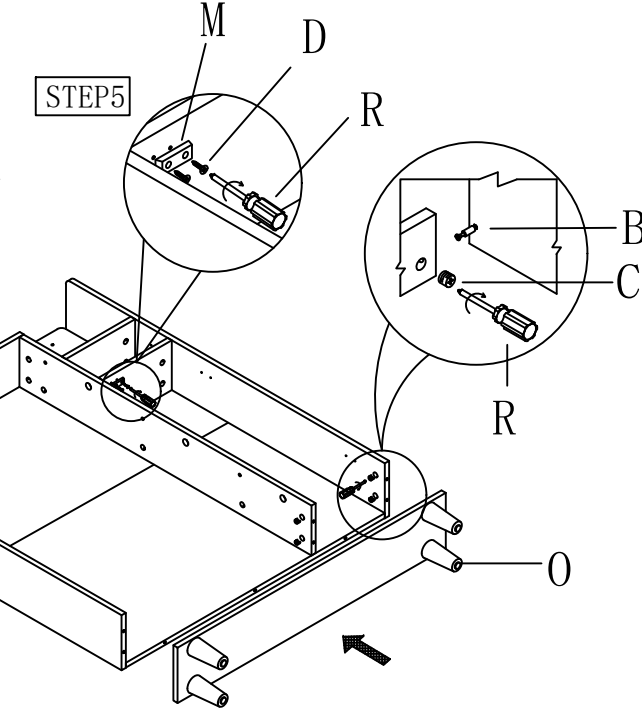
STEP3



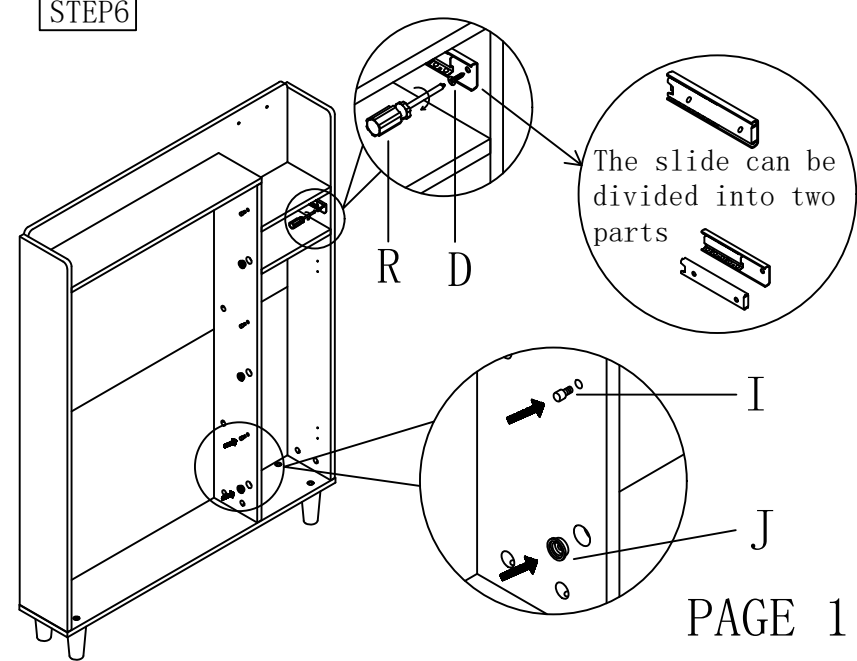
STEP4



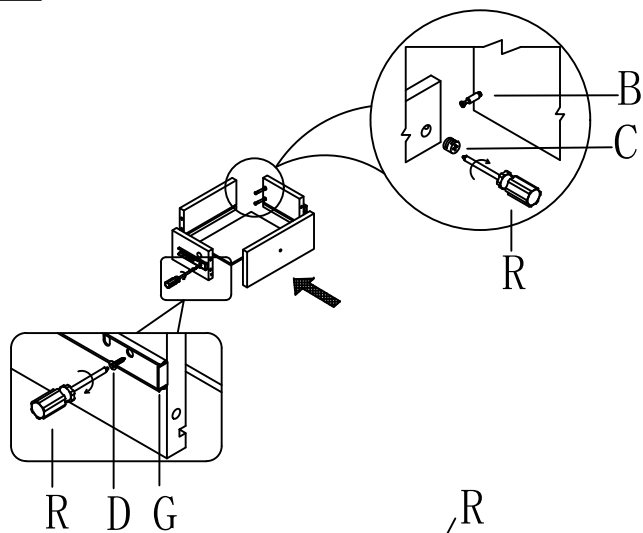
STEP5



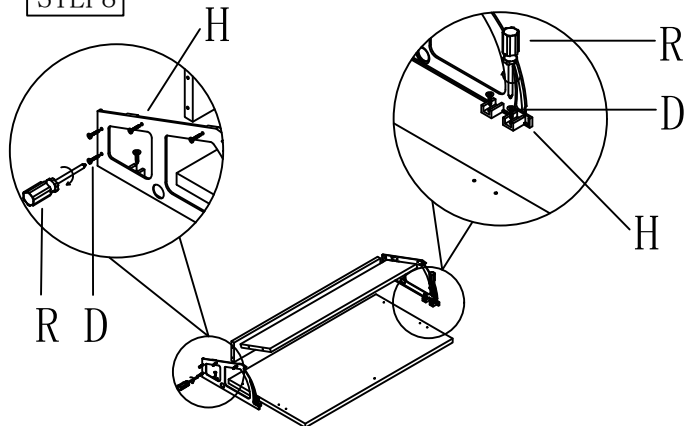
STEP6



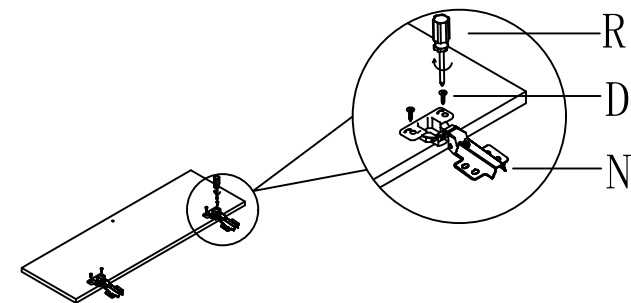
STEP7



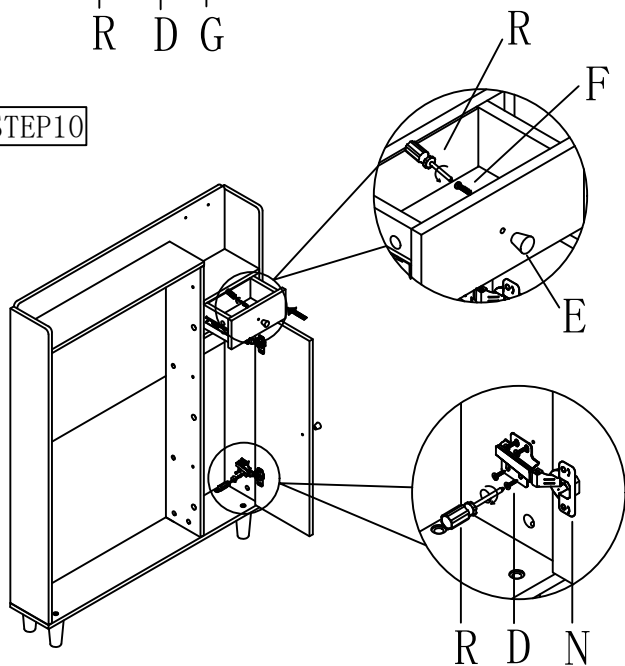
STEP8



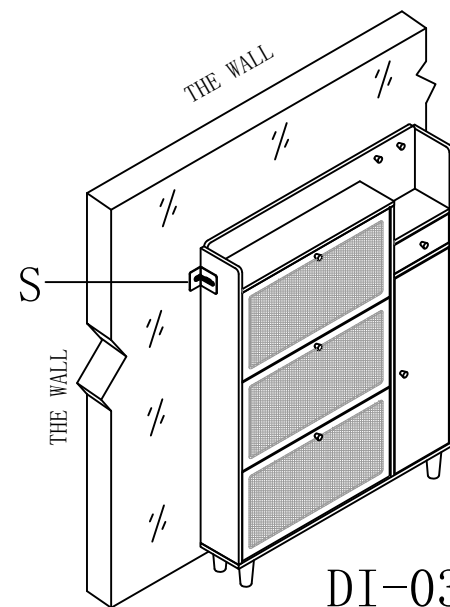
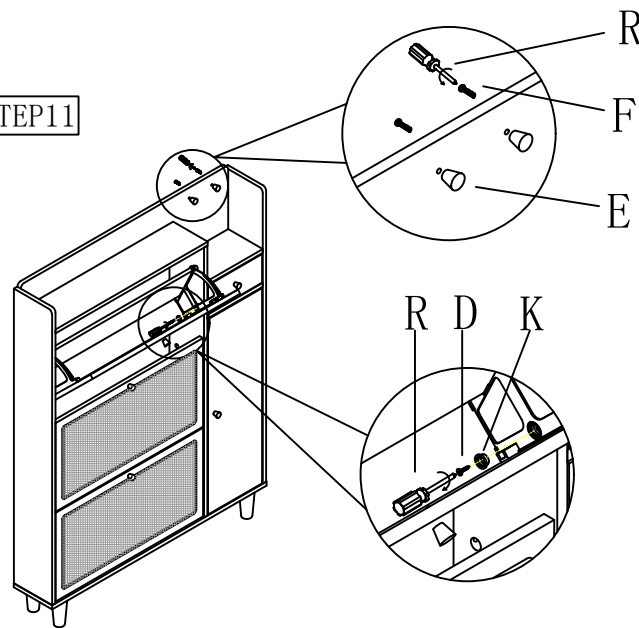
STEP9


















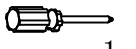

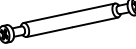
STEP10



STEP11



DI-03 PAGE 2

A		B		C		D		E		F		G		H		I		J		
	4pcs		46pcs		52pcs		70pcs		7pcs		7pcs		2pcs		3pcs		6pcs		6pcs	
K		M		N		O		Q		R		S		T						
	6pcs		1pc		2pcs		4pcs		1pc		1pc		2pcs		3pcs					

【Kindly Remeber】

If the products you receive in this package are not all of the items you purchased, please be patient. The rest of the products will be delivered by other packages.If you would like to know where the rest of the package has arrived, please contact us through Amazon. We will get back to you within 12 hours.

Please feel free to contact us if there any damage caused in transit.And do not return the product without communication. That's very important for us. Thank you for your understanding.

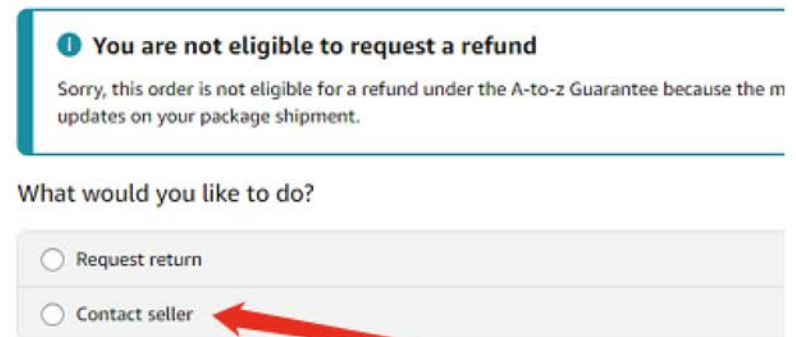


You can contact us in the following ways :

1.Find your order in the list and Select **【Problem with order】** .



2. Choose your topic from list displayed and Select **【Contact seller】** .



3. We will get back to you immediately as soon as we receive your message.

