



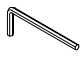







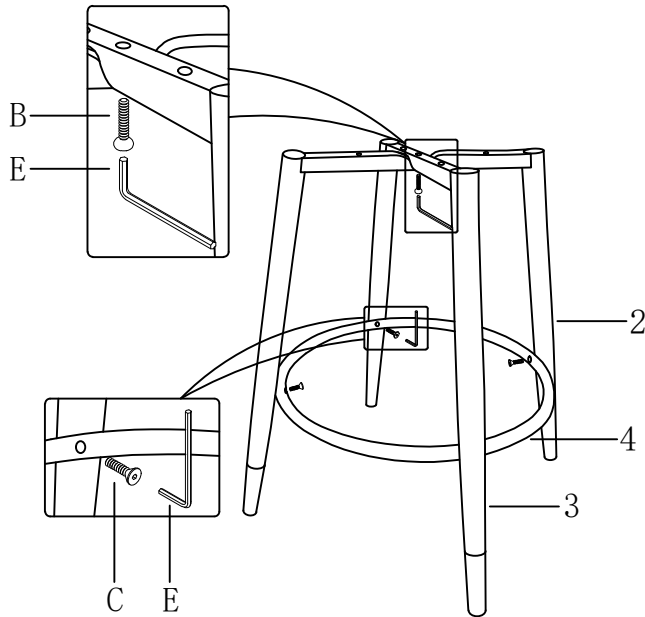
ASSEMBLY INSTRUCTION

Hardware

A	B	C	D	E	1	2	3	4	5
 M6*25	 M6*30	 M6*30	 ø6*ø16*1.5	 4MM					
X8	X1	X4	X8	X1	X1	X1	X1	X1	X1

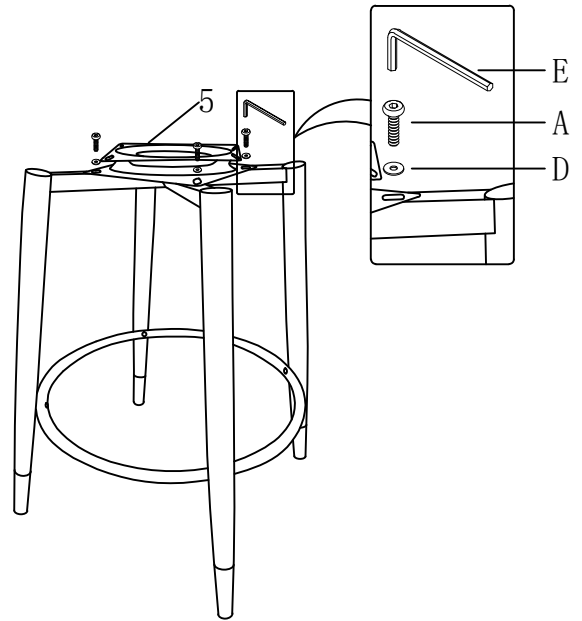
Assemble Step

①

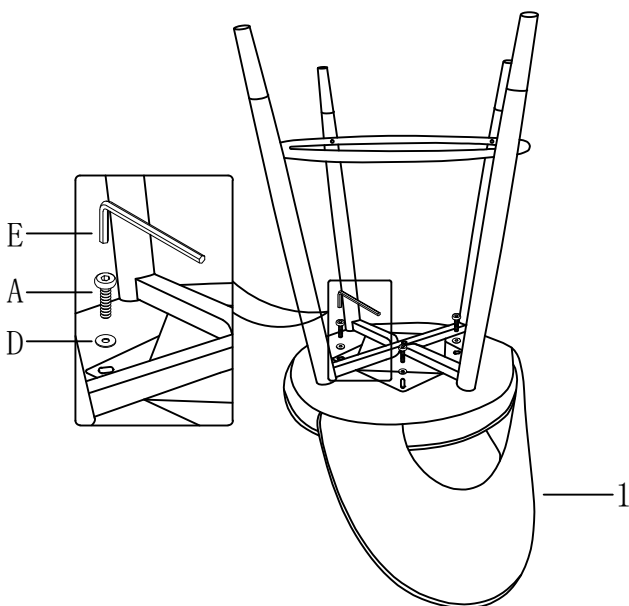


After assembling all screws, place them on a flat surface to form a 100% composition

②



③



④

