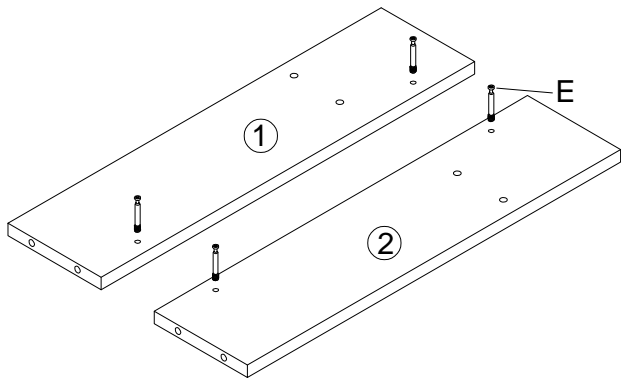


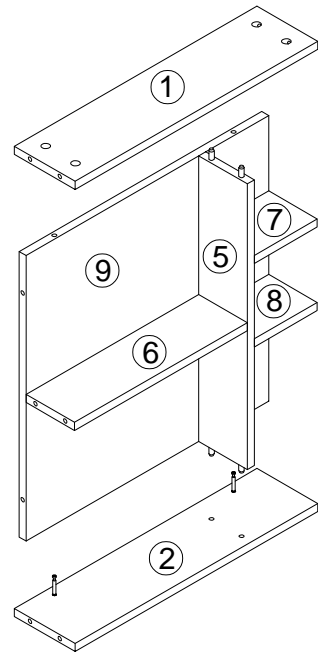
ASSEMBLY INSTRUCTION

		① x1 	② x1 	③ x1 	④ x1
		⑤ x1 	⑥ x1 	⑦ x1 	⑧ x1
⑨ x1 	⑩ x1 	Ax12 	Bx8 	Cx12 	Dx16
Ex16 	Fx16 	Gx2 	Hx2 	Ix8 	Jx2
<p>1</p>		<p>2</p>			
<p>3</p>		<p>4</p>			

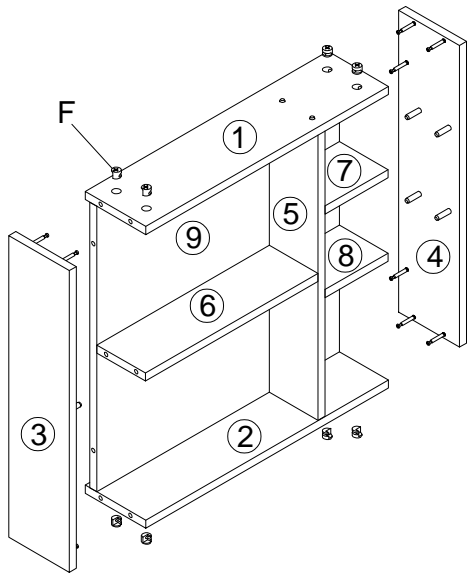
5



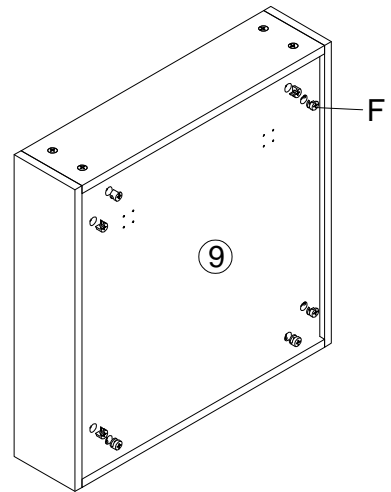
6



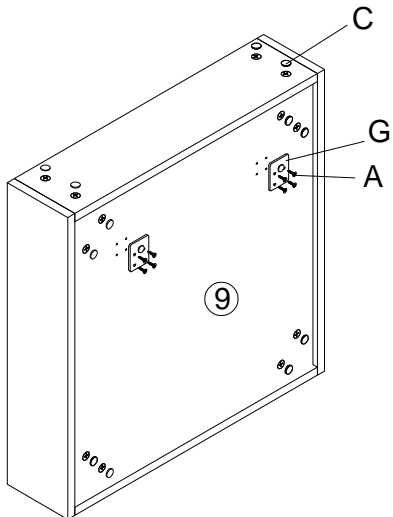
7



8



9



10

