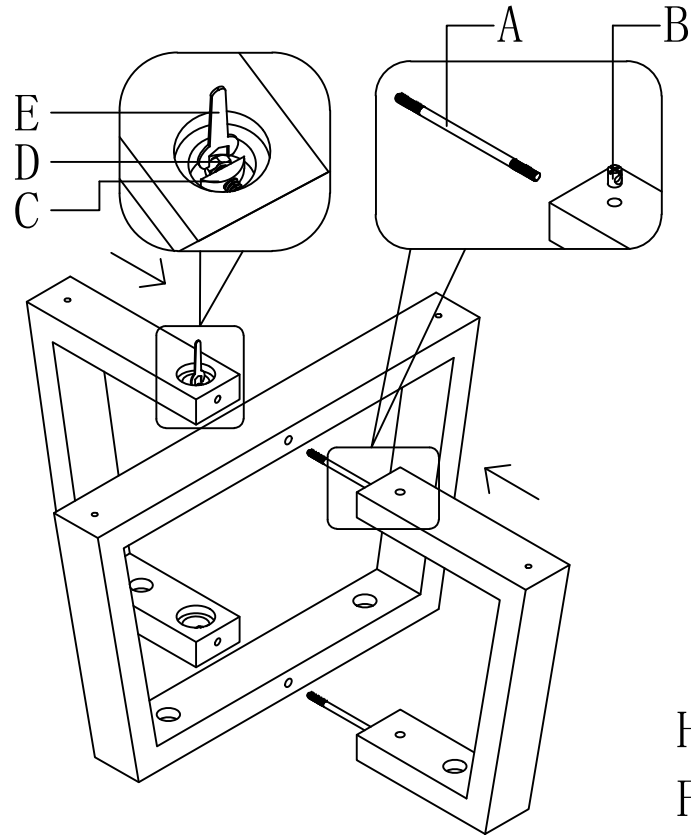
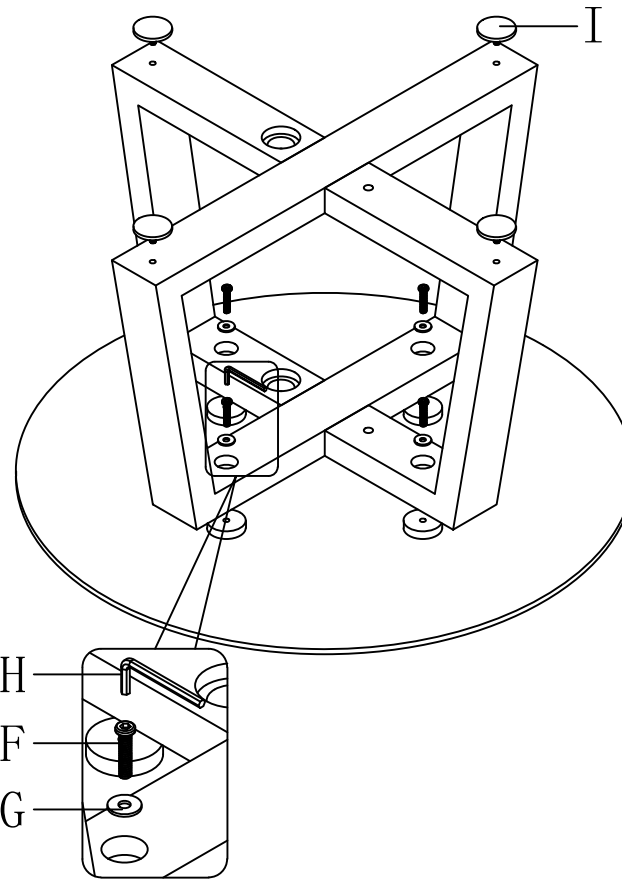


ASSEMBLY INSTRUCTION

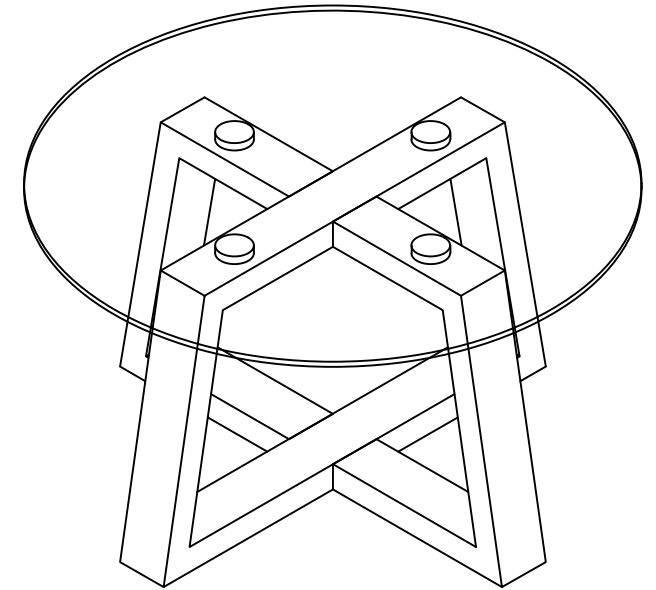
STEP1



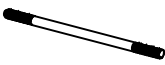






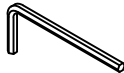

STEP2



STEP3



DI-105

<p>A  M8*175mm 2pcs</p>	<p>B  2pcs</p>	<p>C  2pcs</p>	<p>D  2pcs</p>	<p>E  1pc</p>
<p>F  M8*35mm 4pcs</p>	<p>G  4pcs</p>	<p>H  1pc</p>	<p>I  4pcs</p>	