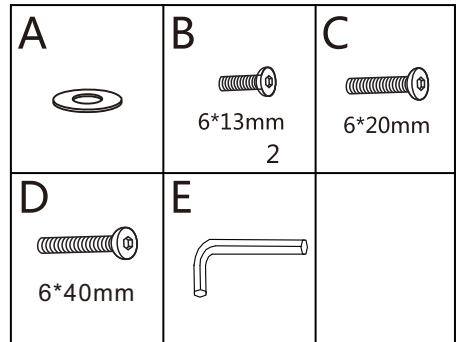
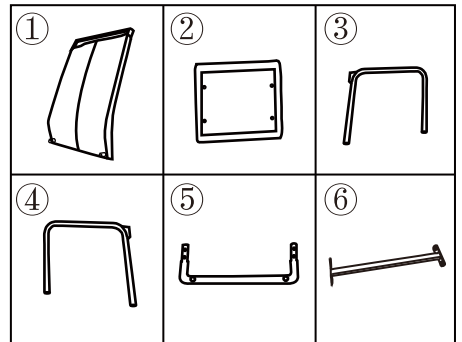
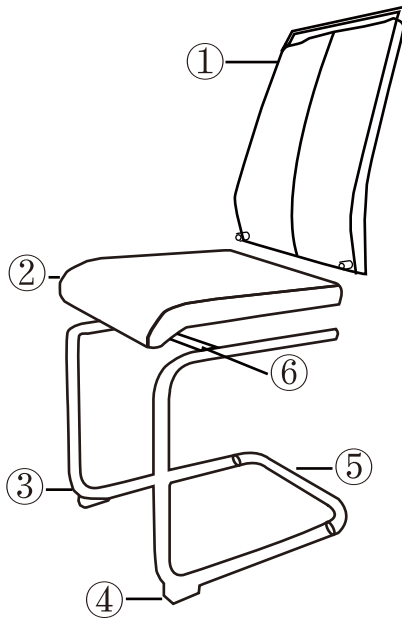
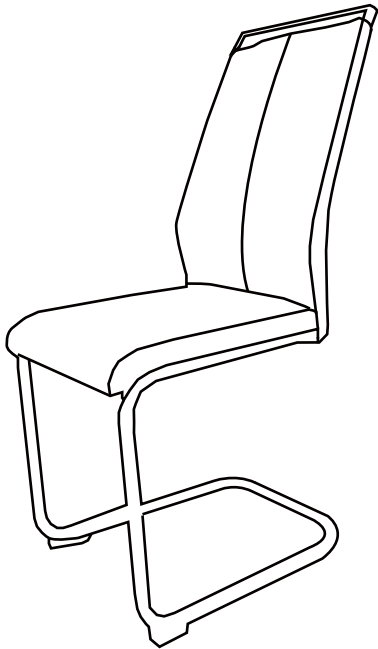
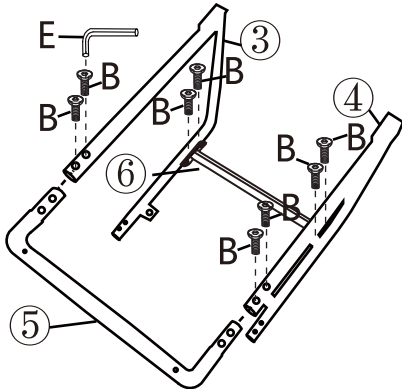


ASSEMBLY INSTRUCTIONS

C-1162

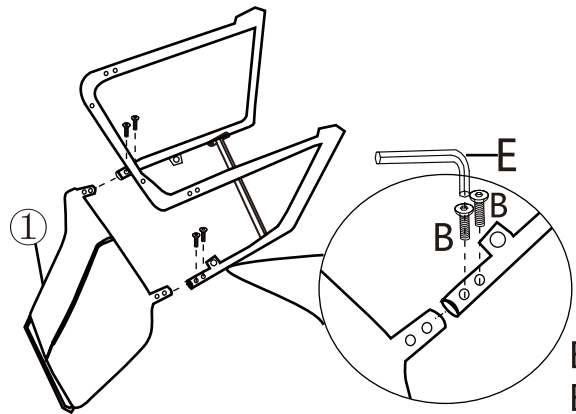


STEP 1 ③ and ④ are connected to ⑤ respectively, ⑥ is connected to ③ and ④, B is inserted into the corresponding hole and fastened with E.



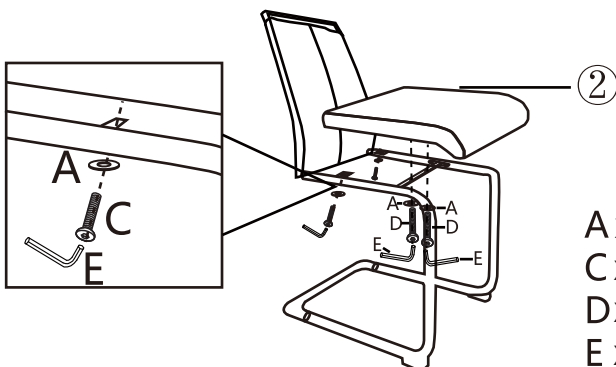
Bx8
Ex1

STEP 2 Connect ① to ③ and ④ respectively, insert B into the corresponding hole and tighten with E.



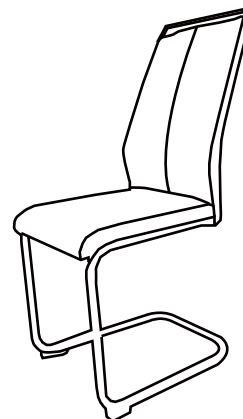
Bx4
Ex1

STEP 3 Connect ② to ③ and ④ respectively, fit C, A and D, A to the corresponding holes in turn and tighten C and D with E.



Ax4
Cx2
Dx2
Ex1

STEP 4 Installation complete

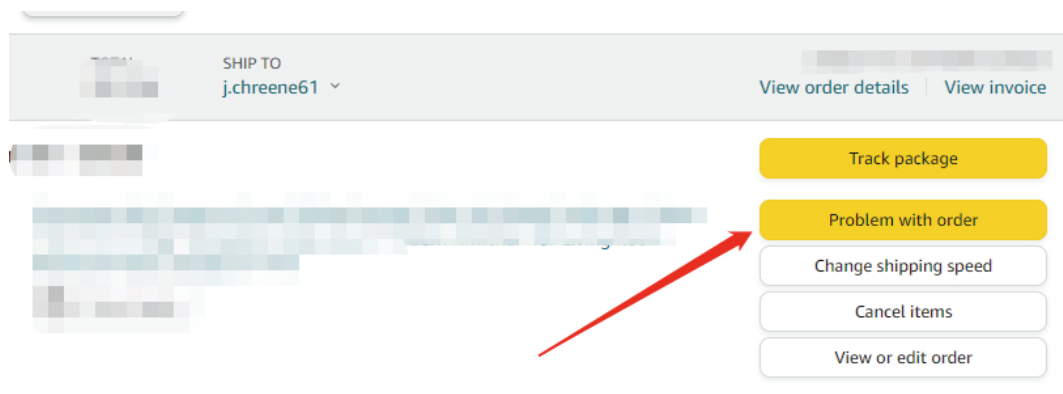


Please feel free to contact us if there any damage caused in transit.And do not return the product without communication. That 憇 very important for us. Thank you for your understanding.

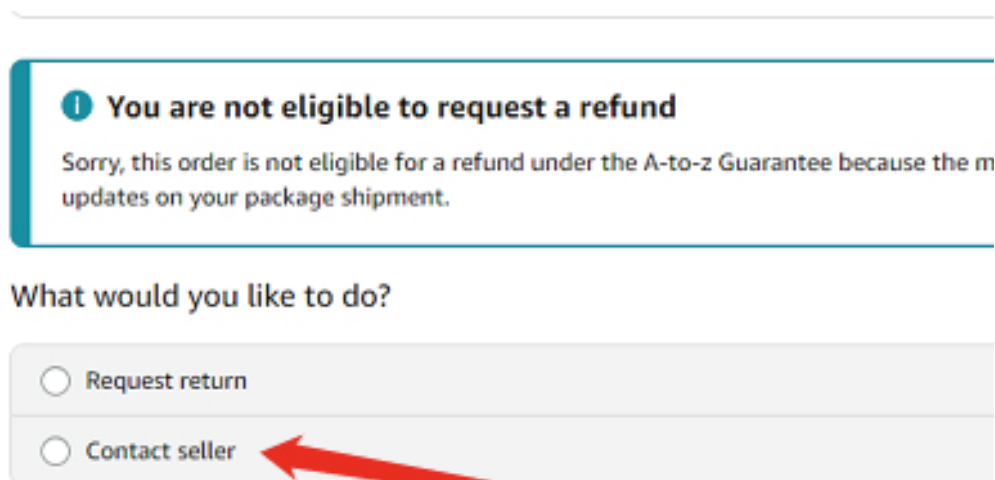


You can contact us in the following ways :

1.Find your order in the list and Select **【Problem with order】** .



2. Choose your topic from list displayed and Select **【Contact seller】** .



3. We will get back to you immediately as soon as we receive your message.

