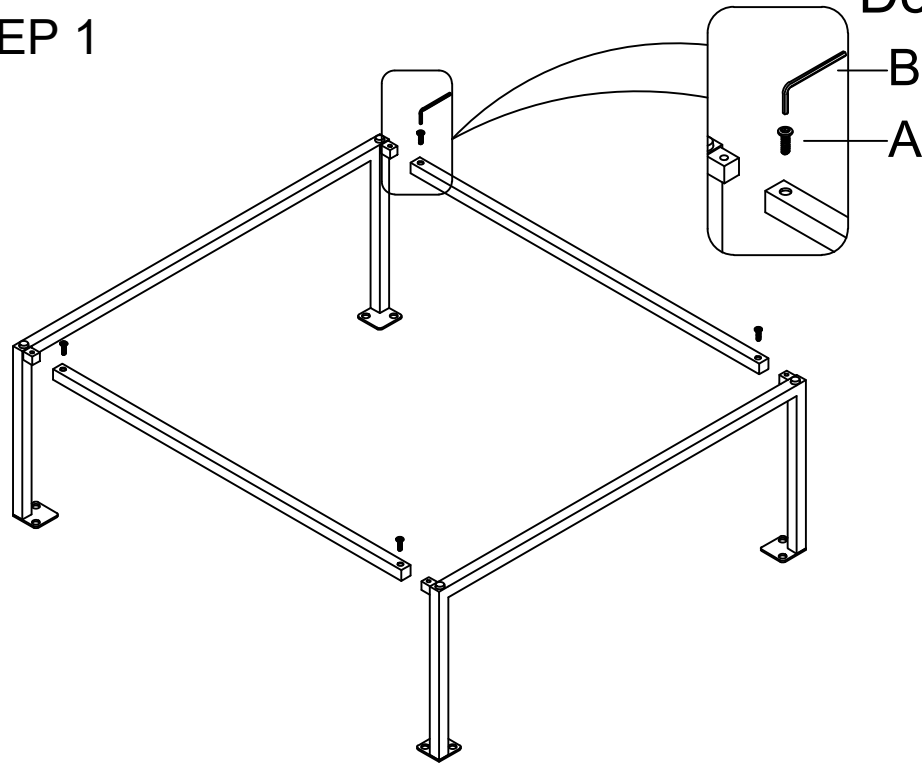
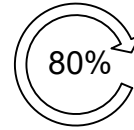


ASSEMBLY INSTRUCTION

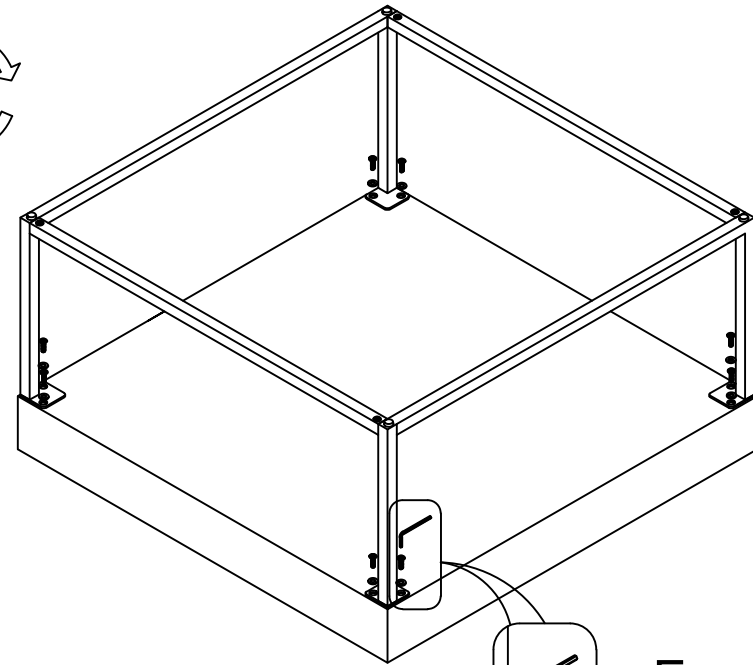
STEP 1



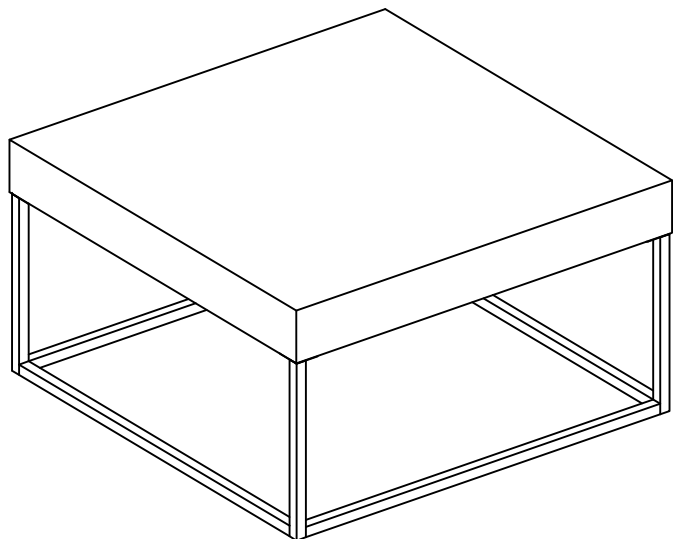
Do not lock the screws








STEP 2



Lock all screws



DI-62-1

<p>A</p>  <p>M6*10 X4</p>	<p>B</p>  <p>M4 X1</p>	<p>C</p>  <p>M8*25 X8</p>
<p>D</p>  <p>ø14 X8</p>	<p>E</p>  <p>M5 X1</p>	