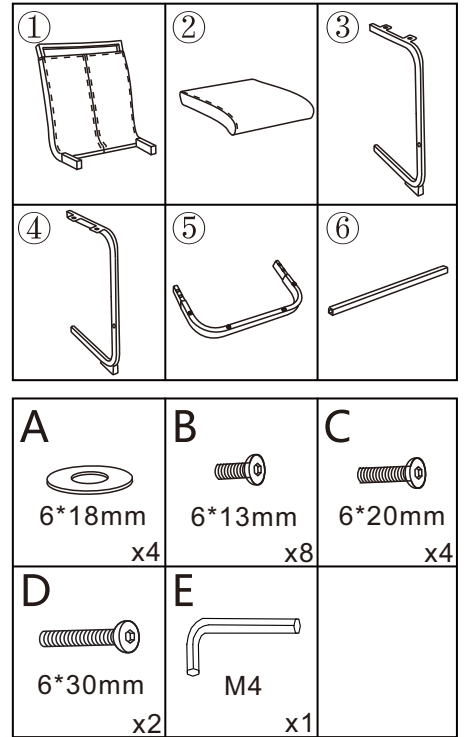
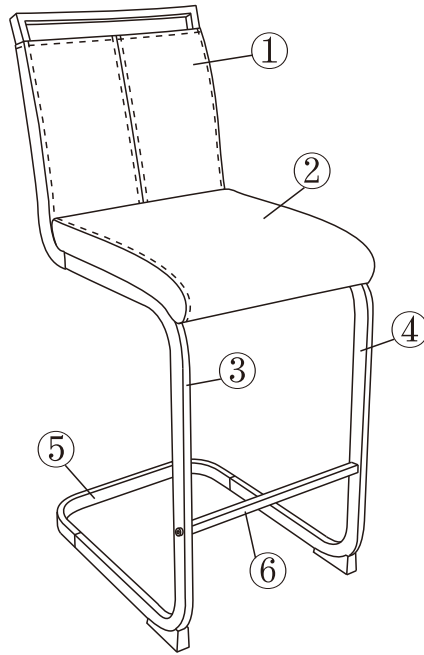
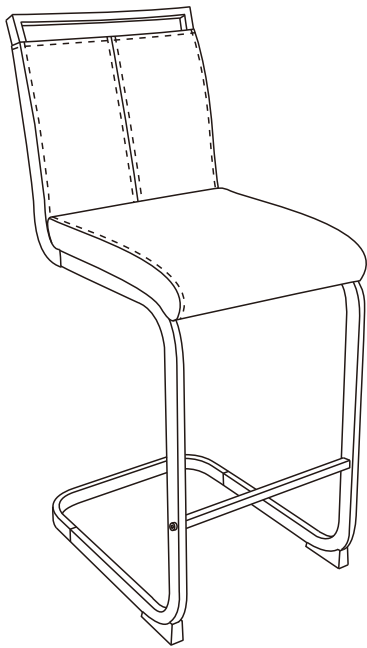
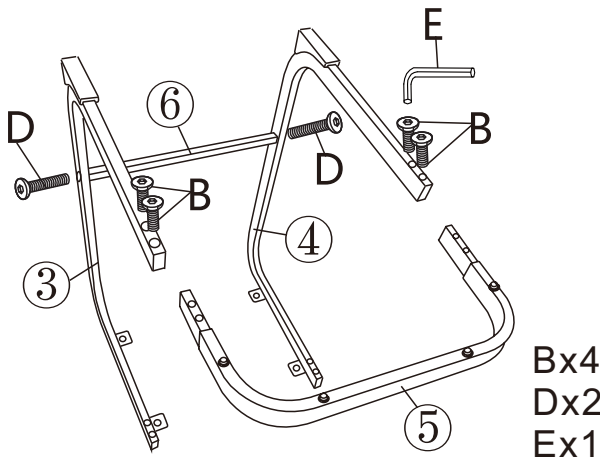


ASSEMBLY INSTRUCTIONS

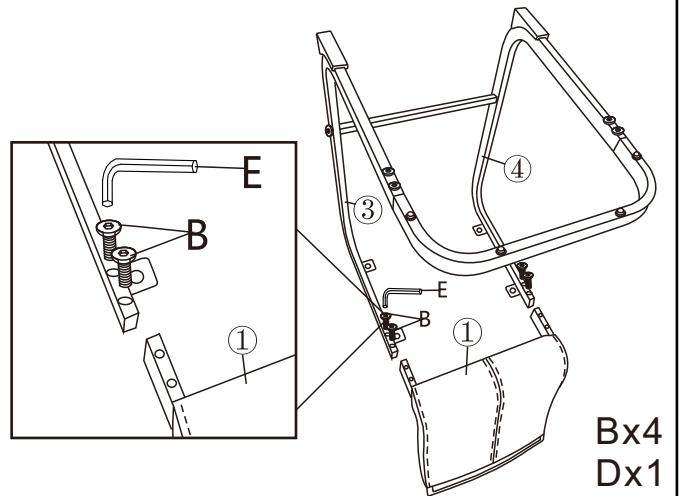
BC-1162



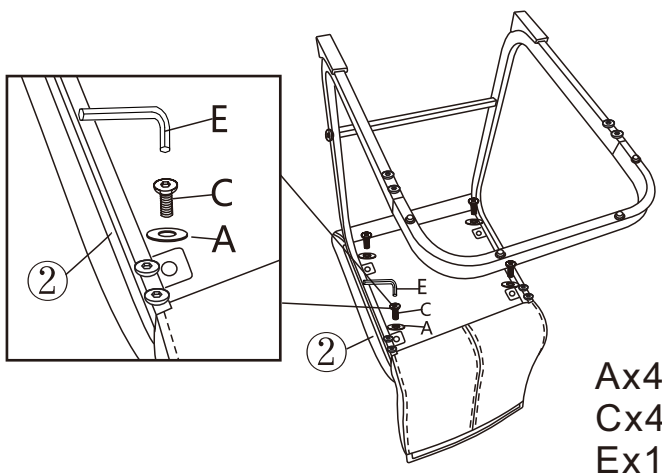
STEP 1 ③ and ④ are connected to ⑤ respectively, ⑥ is connected to ③ and ④, B and D are inserted into the corresponding hole and fastened with E.



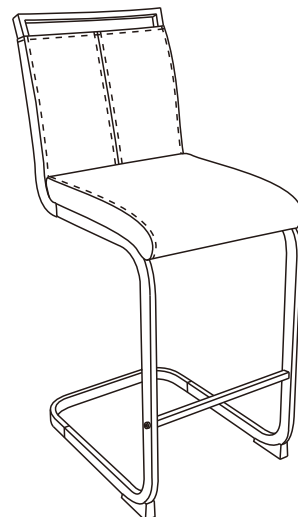
STEP 2 Connect ① to ③ and ④ respectively, insert B into the corresponding hole and tighten with E.



STEP 3 Connect ② to ③ and ④ respectively, fit C, A to the corresponding holes in turn and tighten C with E.



STEP 4 Installation complete



【Kindly Remember】

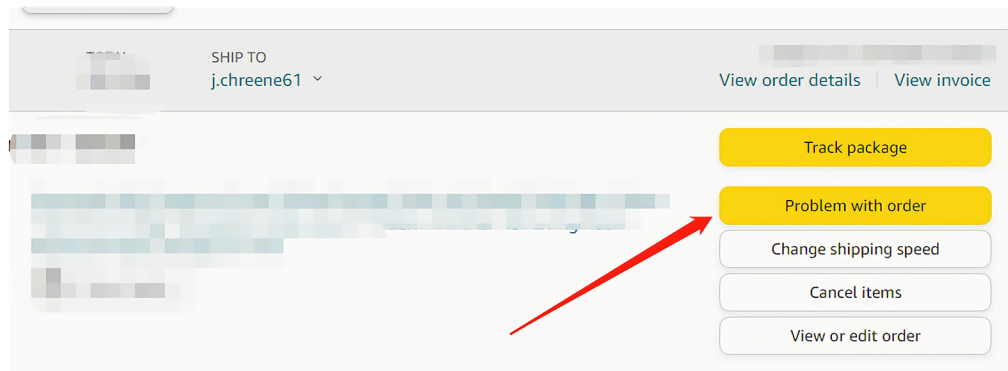
If the products you receive in this package are not all of the items you purchased, please be patient. The rest of the products will be delivered by other packages.

If you would like to know where the rest of the package has arrived, please contact us through Amazon. We will get back to you within 12 hours.

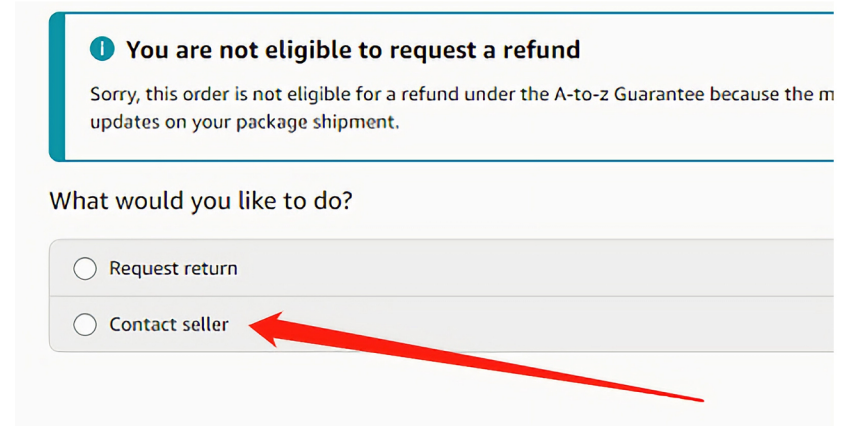


You can contact us in the following ways:

1. Find your order in the list and Select **【Problem with order】** .



2. Choose your topic from list displayed and Select **【Contact seller】** .



3. We will get back to you immediately as soon as we receive your message.

