

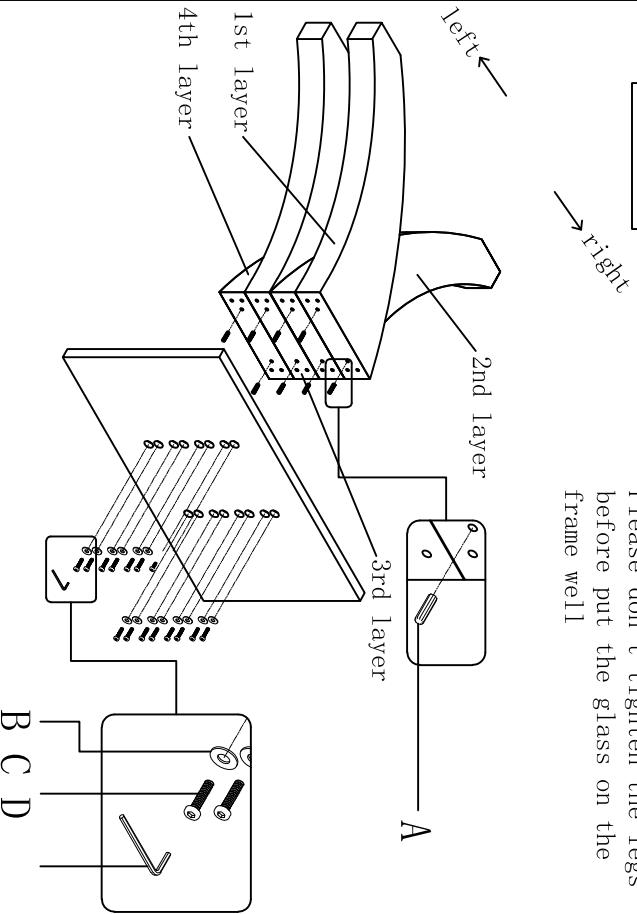
ASSEMBLY INSTRUCTION

Assembly requires at least 2 people

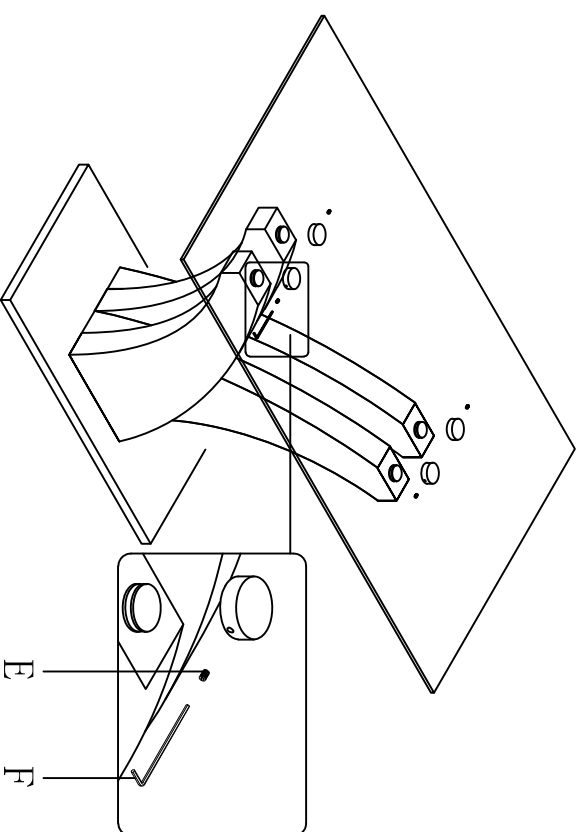
Please follow the instructions, the wrong direction will result in failure to assemble

STEP1

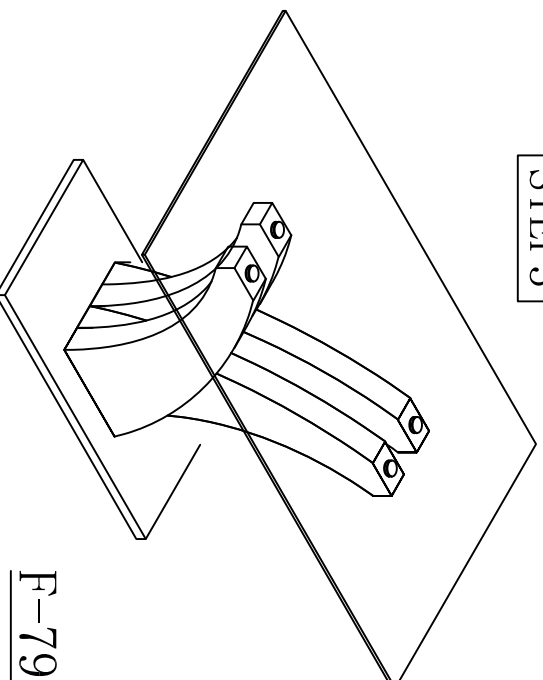
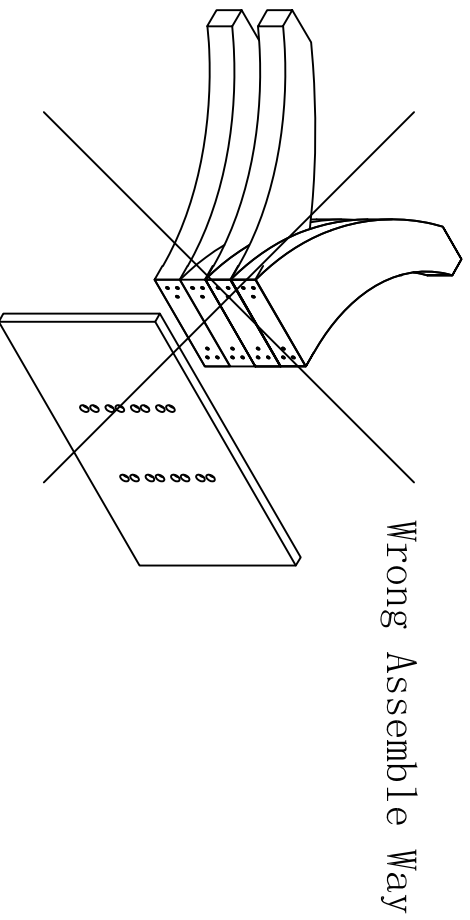
Please don't tighten the legs before put the glass on the frame well









STEP2



STEP3



A		8pcs
B		16pcs
C		16pcs
D		1pc
E		4pcs
F		1pc

F-790