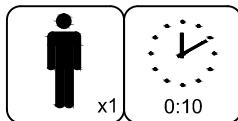
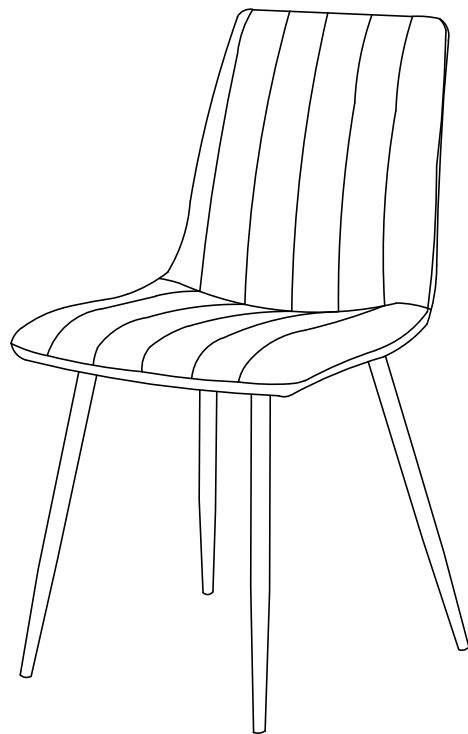
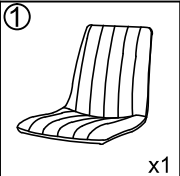
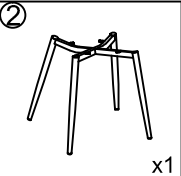
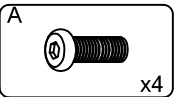
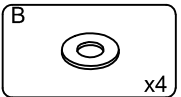



# ASSEMBLY INSTRUCTIONS



 ① x1	 ② x1	
 A x4	 B x4	 C x1

**1**

