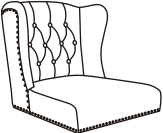
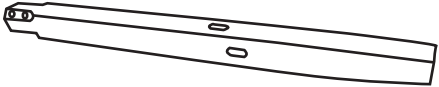
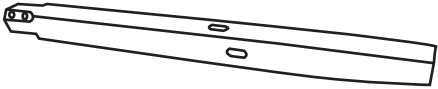






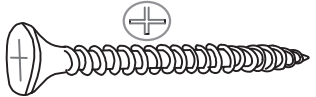





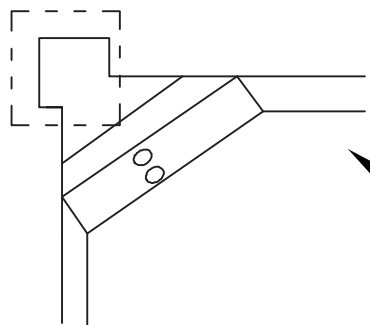
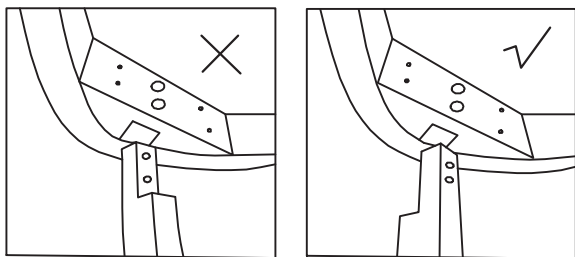


ASSEMBLY INSTRUCTIONS

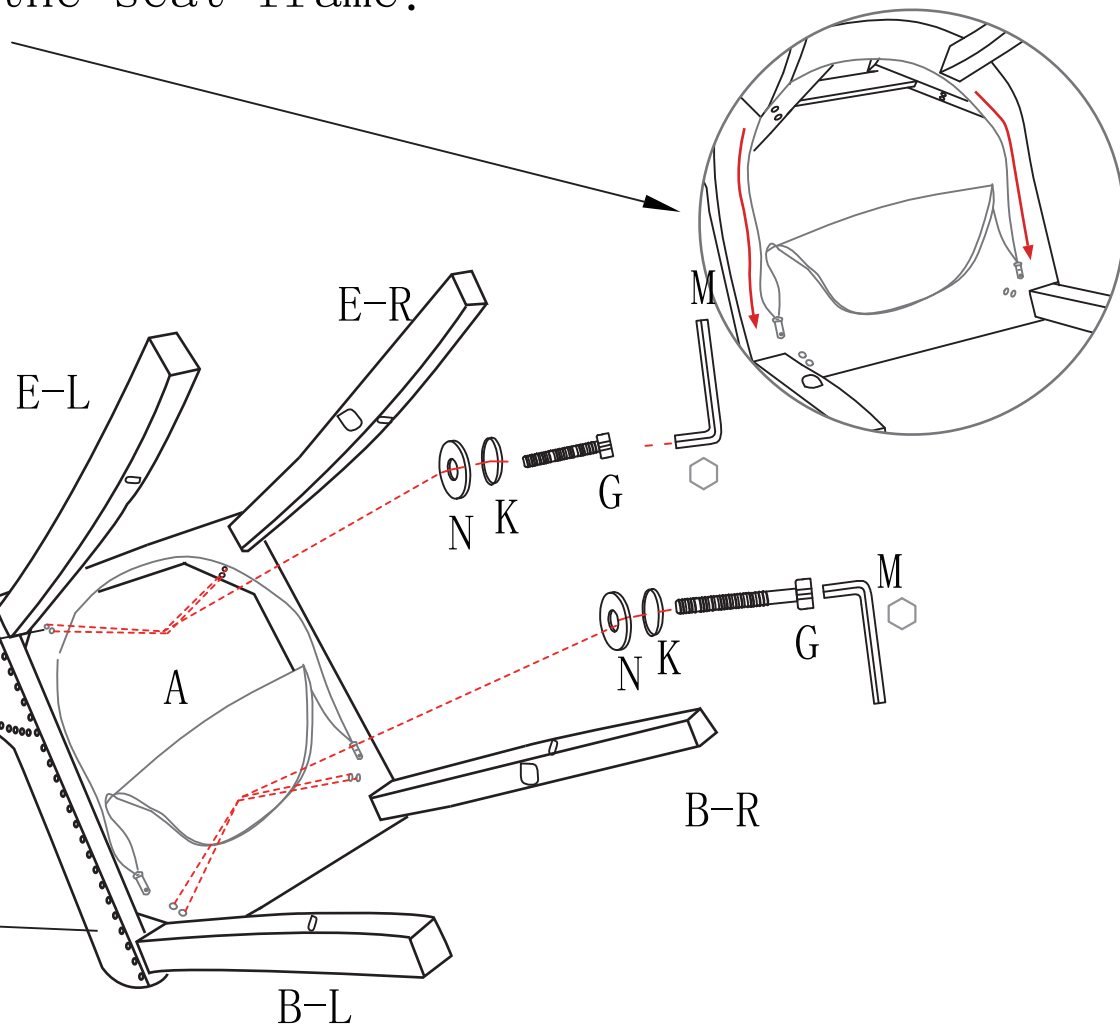
A		X 1PC
B-L		X 1PC
B-R		X 1PC
C		X 1PC
D		X 2PCS
E-R		X 1PC
E-L		X 1PC
F		X 1PC
G	 M8*60mm	X 8PCS
I	 5*45mm	X 8PCS

J		X 2PCS
K	 M8	X 8PCS
L	 M6	X 1PC
M	 M8	X 1PC
N	 M8*22mm	X 8PCS

① 1.The legs are hidden under the seat frame.

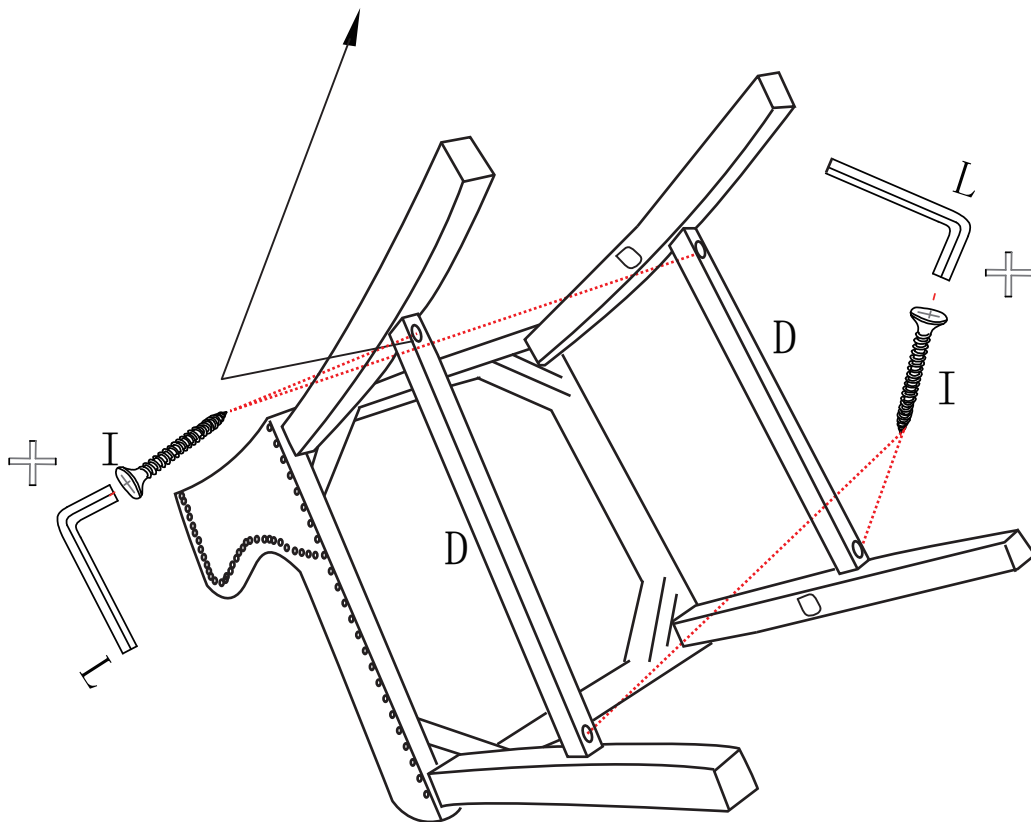
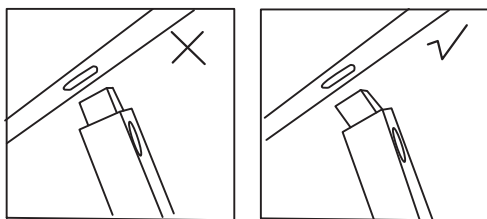


2. Put the front leg in the dotted box place; There are two holes on one front leg, and the one hole facing the back leg is higher up.



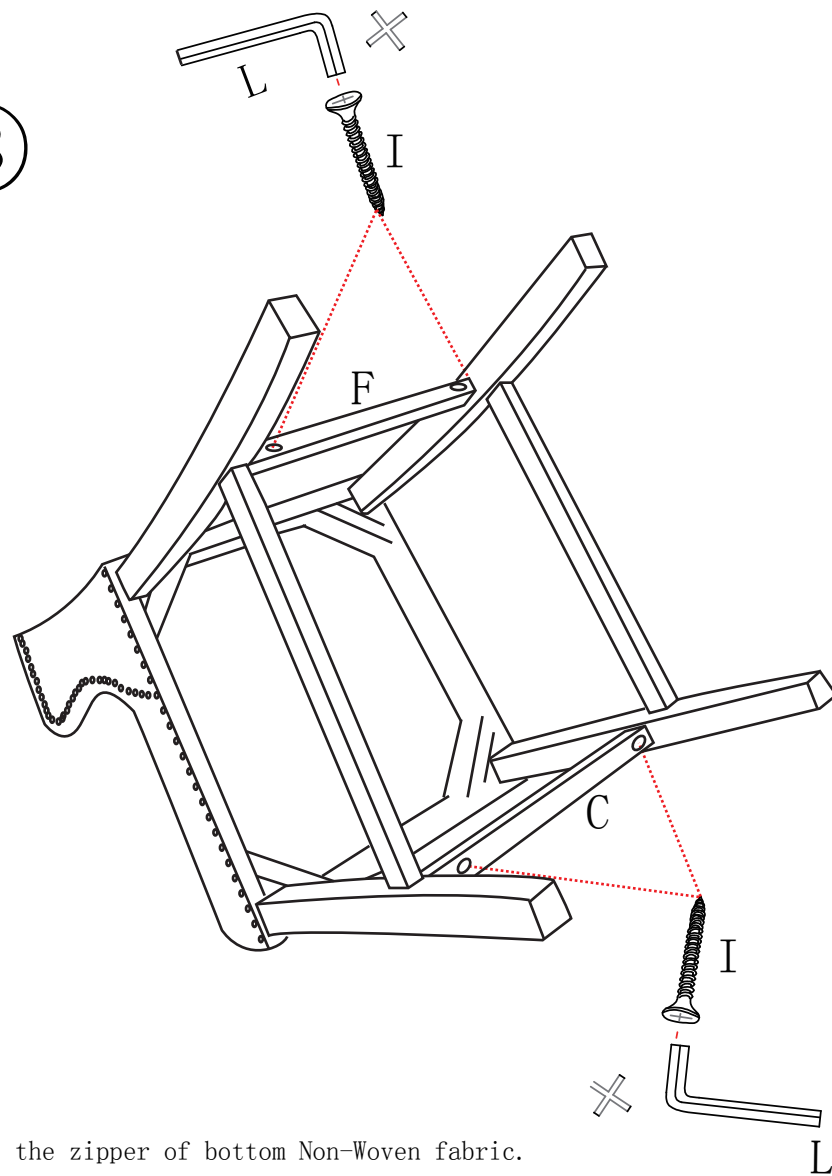
3.Tighten all the screws to 80% of maximum tightness.

②



Tighten all the screws to 80% of maximum tightness.

③

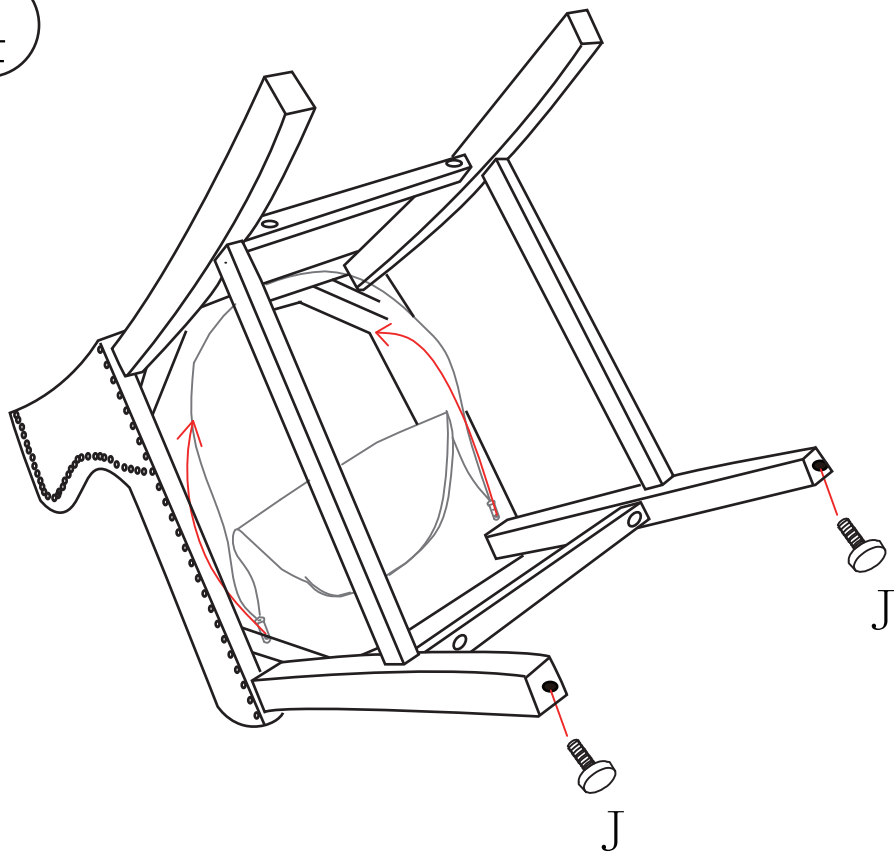


Close the zipper of bottom Non-Woven fabric.

Tighten all the screws to
100% of maximum tightness

There are 2 small adjusters on the front legs ,ensure these are
adjusted so the chair sits level

4



1. screw J into B

2. Carefully sit on the chair and make adjustments to ensure the legs are flat even on the floor.

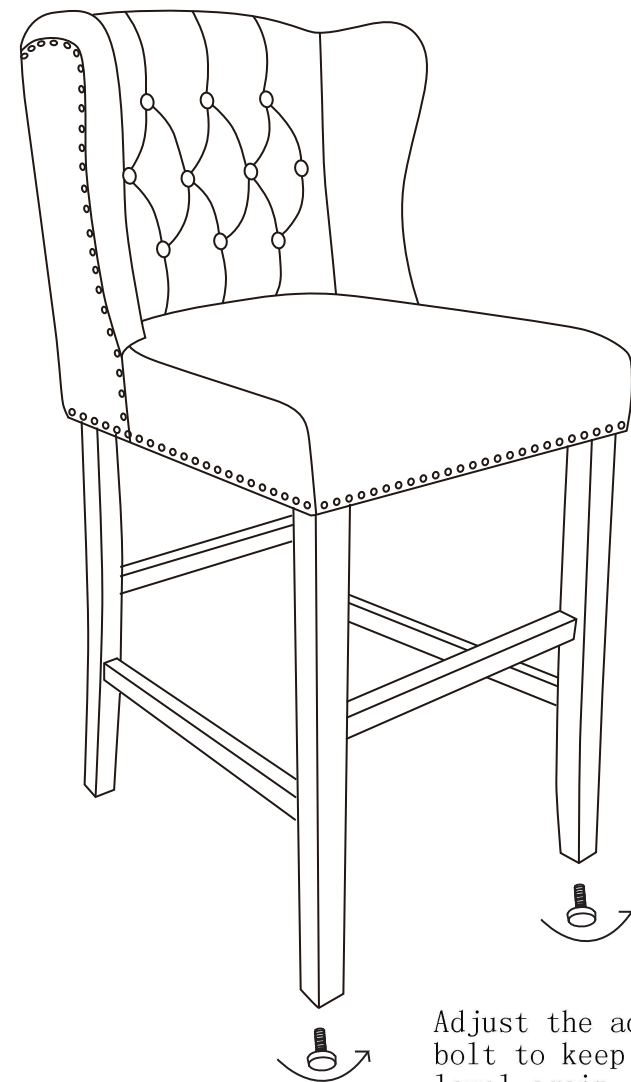
3. Tighten all the screws to 100% of maximum tightness

4. Close the zipper of bottom Non-Woven fabric.

WARNING:

DO NOT STAND ON THE PRODUCT, DO NOT USE THIS PRODUCT AS A STEP LADDER.
DO NOT USE THIS PRODUCT UNLESS ALL BOLTS, SCREWS AND KNOBS ARE FIRMLY SECURED.
PLEASE DO NOT USE KNIFE TO OPEN ANY PARTS OF THE BOX OR PRODUCT.

5



Adjust the adjuster bolt to keep the chair level again