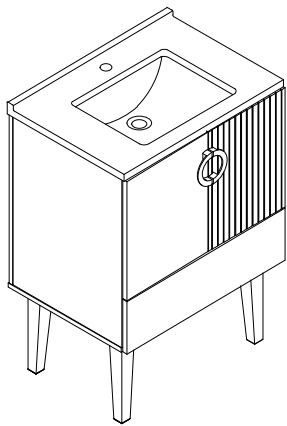
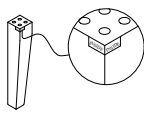
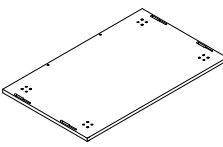
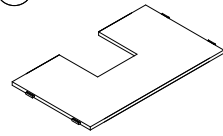
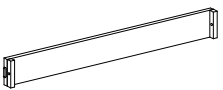

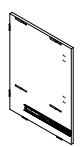
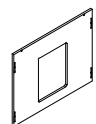
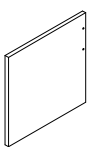
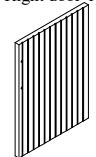
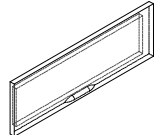
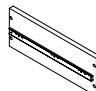
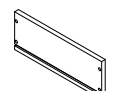
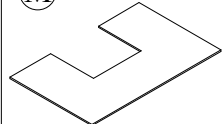
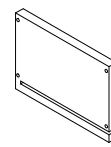
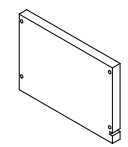
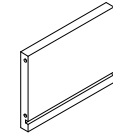
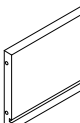
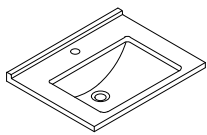
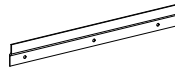
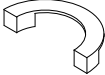

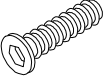
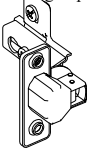


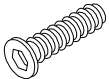


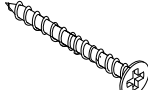


# VTYM0337 RIGOBERTO 24" SINGLE BATHROOM VANITY SET


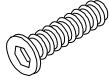
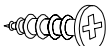
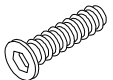


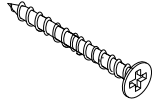
	<p><b>A</b> Leg-4pcs</p> 	<p><b>B</b> Bottom panel-1pc</p> 	<p><b>C</b> Shelf panel-1pc</p> 	<p><b>D</b> Top bar-1pc</p> 
	<p><b>E</b> Left panel-1pc</p> 	<p><b>F</b> Right panel-1pc</p> 	<p><b>G</b> Back panel-1pc</p> 	<p><b>H</b> Left door-1pc</p> 
	<p><b>I</b> Right door-1pc</p> 	<p><b>J</b> Drawer front-1pc</p> 	<p><b>K</b> Drawer left side-1pc</p> 	<p><b>L</b> Drawer right side-1pc</p> 
	<p><b>M</b> Drawer bottom-1pc</p> 	<p><b>N</b> Drawer back left -1pc</p> 	<p><b>O</b> Drawer back right -1pc</p> 	<p><b>P</b> Drawer back mid -1pc</p> 
	<p><b>Q</b> Drawer back mid left + mid right - 2 pcs</p> 	<p><b>R</b> Washbasin-1pc</p> 	<p><b>S</b> Wall Mounted Iron Bar -2pcs</p> 	

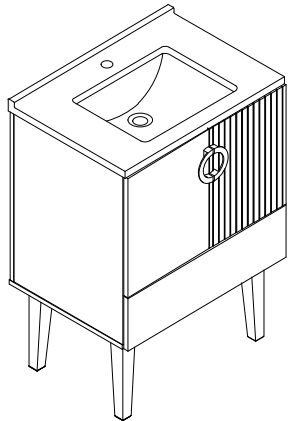
# VTYM0337 RIGOBERTO 24" SINGLE BATHROOM VANITY SET

## HARDWARE LIST

<p>① Handle-2pcs</p> 	<p>② 25mm Bolt-4pcs</p> 	<p>③ Ø1/4"*25mm Bolt-34pcs</p> 	<p>④ Door hinge-4pcs</p> 	<p>⑤ #3.5*15mm Screw-12pcs</p> 
<p>⑥ Allen key-1pc</p> 	<p>⑦ Ø1/4"*35mm Bolt-2pcs</p> 	<p>⑧ #4*15mm Screw black-3pcs</p> 	<p>⑨ Ø4*35mm Anchor bolts-3pcs</p> 	<p>⑩ #4*40mm Screw black-3pcs</p> 

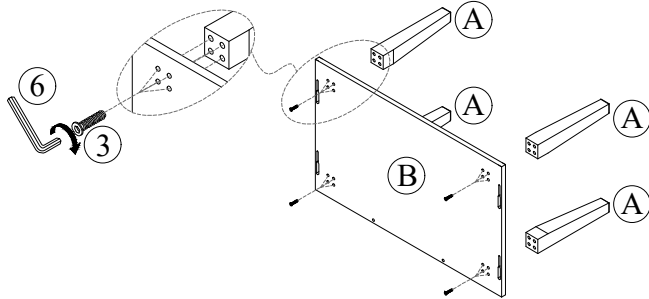
## SPARE

<p>② 25mm Bolt-1pcs</p> 	<p>③ Ø1/4"*25mm Bolt-1pcs</p> 	<p>⑤ #3.5*15mm Screw-1pcs</p> 	<p>⑦ Ø1/4"*35mm Bolt-1pcs</p> 	<p>⑧ #4*15mm Screw black-1pcs</p> 
<p>⑨ Ø4*35mm Anchor bolts-1pcs</p> 	<p>⑩ #4*40mm Screw black-1pcs</p> 			

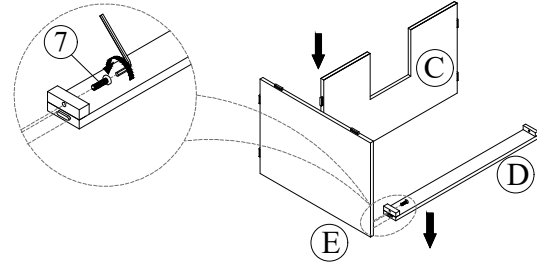


# VTYM0337 RIGOBERTO 24" SINGLE BATHROOM VANITY SET

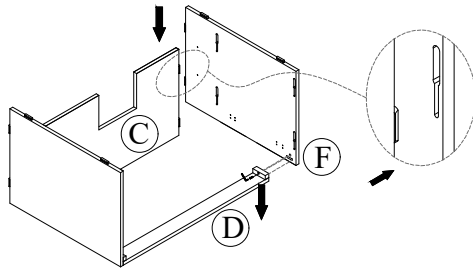
Step 1. Following below illustration Assembly Frame #1  
Using hardware #3 connect bottom panel B with the legs A.



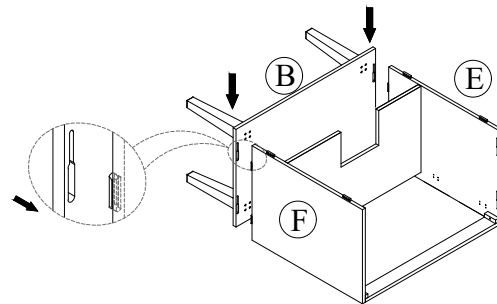
Step 2. Following below illustration Assembly Frame #2  
Using the plastic piece fixed on board C, D shelf panel and top frame, move accordingly to E left panel into the groove and move down.  
Using the bolt(7) move Top bar to E left panel



Step 3. Following below illustration Assembly Frame #3  
Using the plastic piece fixed on board C, D shelf panel and top frame, move accordingly to F right panel into the groove and move down.  
Using the bolt(7) move Top bar to E left panel



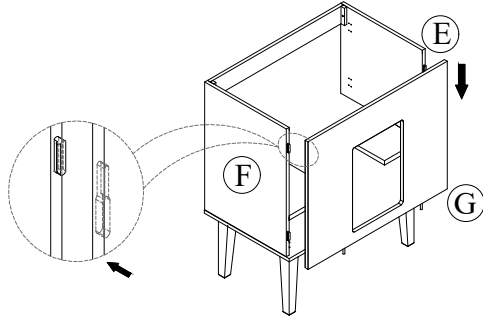
Step 4. Following below illustration Assembly Frame #4  
Using the plastic piece fixed on board E, F left-right side panel, move accordingly to B bottom panel into the groove and move down.  
And rotate 90° vertically.



# VTYM0337 RIGOBERTO 24" SINGLE BATHROOM VANITY SET

Step 5. Following below illustration Assembly Frame #5

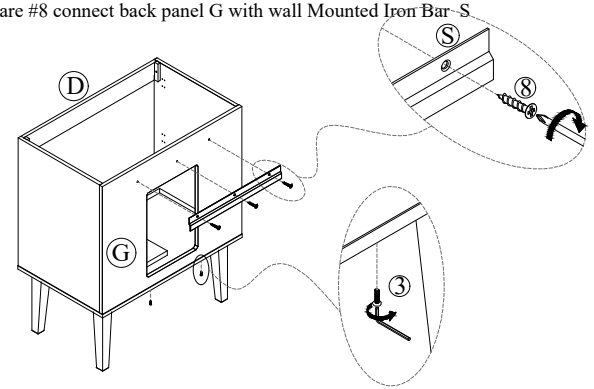
Using the plastic piece fixed on board E, F left-right side panel, move accordingly to G back panel into the groove and move down.



Step 6. Following below illustration Assembly Frame #6

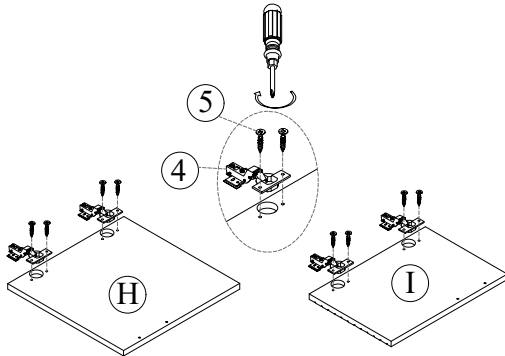
Using hardware #3 connect back panel G with Bottom panel B.

Using hardware #8 connect back panel G with wall Mounted Iron Bar S



Step 7. Following below illustration Assembly Frame #7

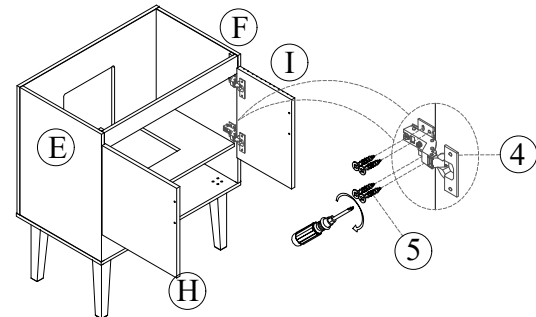
Using hardware #5 connect the hinge #4 with the left-right door H, I.



Step 8. Following below illustration Assembly Frame #8

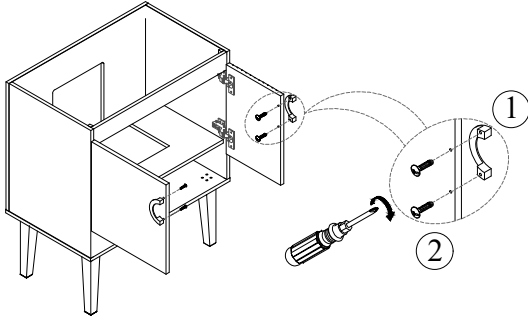
Add the left-right door H, I to the front on the cabinet

Using hardware #5 connect the hinge #4 with the left-right side panel E, F.

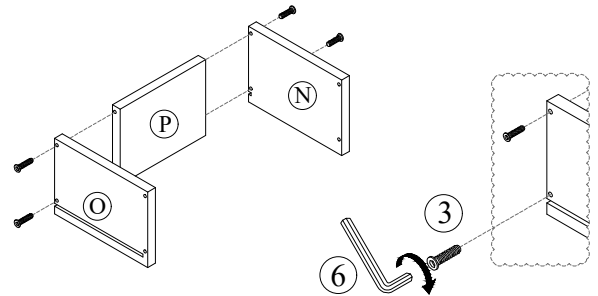


# VTYM0337 RIGOBERTO 24" SINGLE BATHROOM VANITY SET

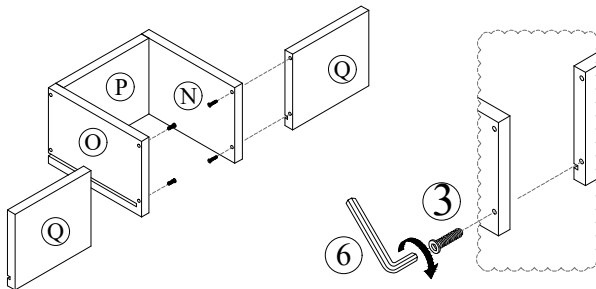
Step 9. Following below illustration Assembly Frame #9  
Using hardware #2 connect the doors H, I with the handle #1.



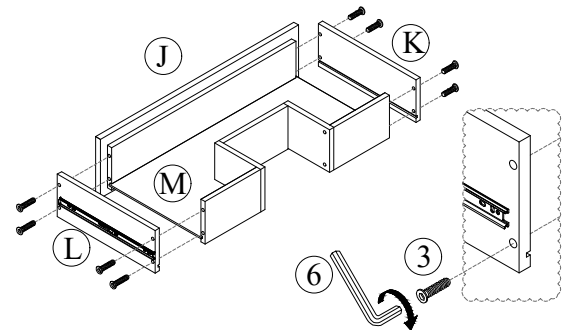
Step 10. Following below illustration Assembly Frame#10  
Using hardware #6,#3 connect the drawer back mid P with drawer back left-right N,O



Step 11. Following below illustration Assembly Frame #11  
Using hardware #6,#3 connect the drawer Step10 )with drawer back mid left-right Q.

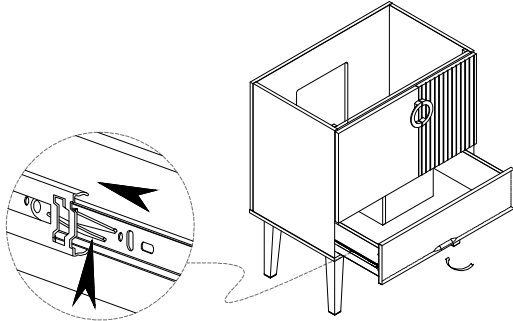


Step 12. Following below illustration Assembly Frame #12  
Add the drawer bottom N to the inside with the drawer front-back J+Step 11  
Using hardware #3 connect the drawer left-right side L, M with the drawer front-back



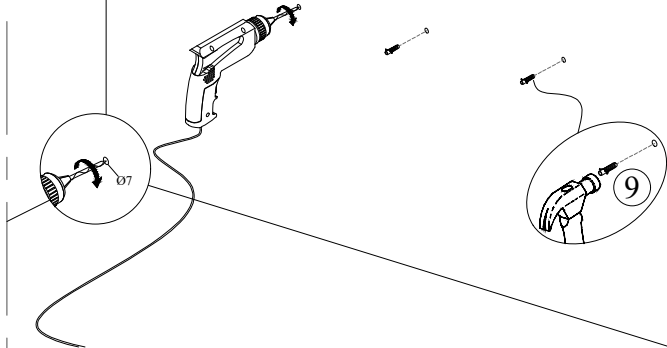
# VTYM0337 RIGOBERTO 24" SINGLE BATHROOM VANITY SET

Step 13. Following below illustration Assembly Frame #13  
Add the drawer Frame #10 to the inside with the cabinet  
Open the drawer from the bottom negative handle as shown below.



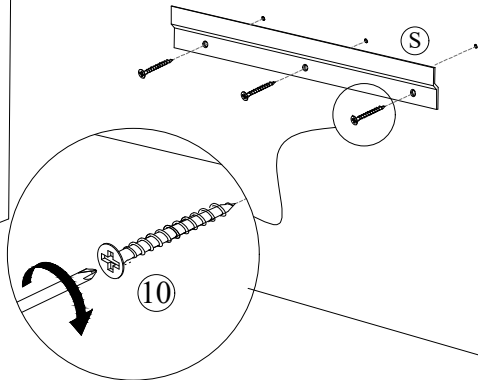
Step 14. Following below illustration Assembly Frame #14  
Using drill 07 drill into the wall  
Using hardware #9 attached to the wall.

Wall



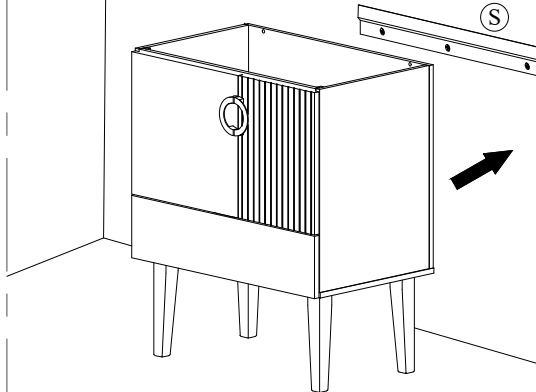
Step 15. Following below illustration Assembly Frame #15  
Using hardware #10 connect wall mounted ron bar S into the wall.

Wall



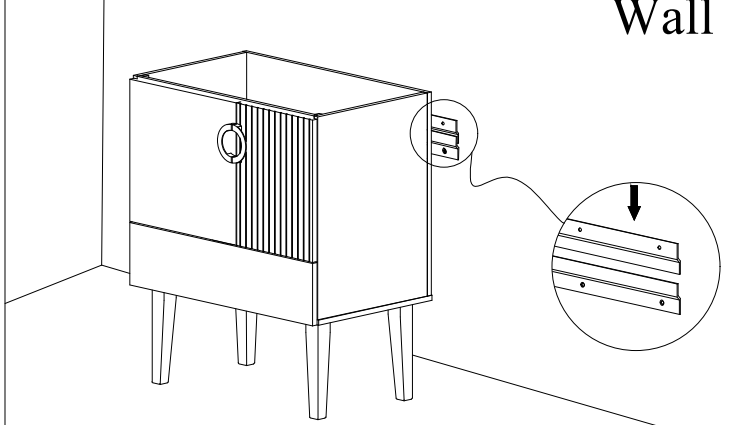
Step 16. Following below illustration Assembly Frame #16

Wall



# VTYM0337 RIGOBERTO 24" SINGLE BATHROOM VANITY SET

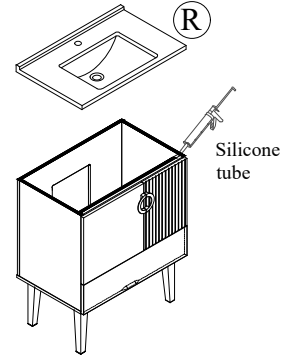
Step 17. Following below illustration Assembly Frame #17



Wall

Step 14. Following below illustration Assembly Frame #14

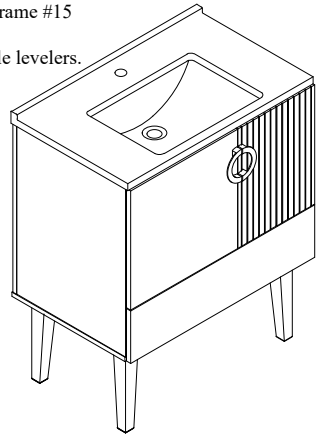
- Clean the top surface of the cabinet frame
  - Apply a sufficient amount of silicone to the top of the vanity frame.
  - Install the stone surface according to the illustration, align the back edge of the stone with the back of the vanity, the two sides are balanced between the vanity
  - Wipe off excess silicone immediately.
- Fixed place and let dry for 4 hours.



Vanity frame

Step 15. Following below illustration Assembly Frame #15

- Place the vanity in the desired location.
- Ensure the vanity is level by using the adjustable levelers.
- Install the faucet and all plumbing.
- Ensure there are no water leaks.



COMPLETED

