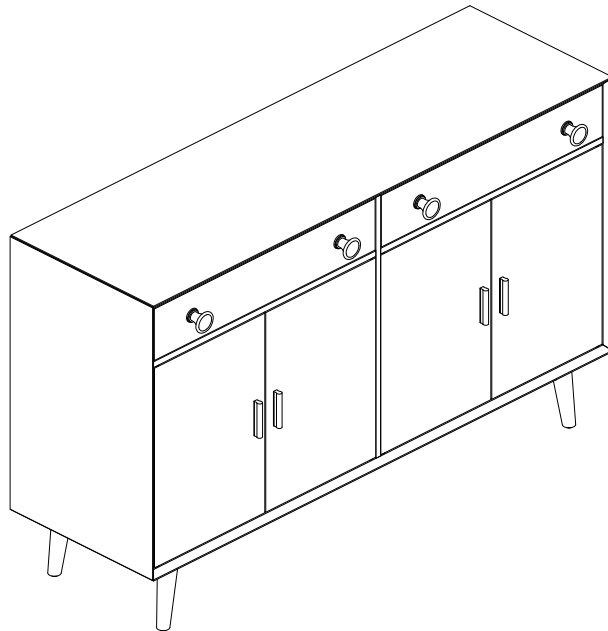


HULALA

H O M E



ITEM NO. SBYJ0620

NOTE:

This brochure contains IMPORTANT safety info. Please read and keep for future reference.

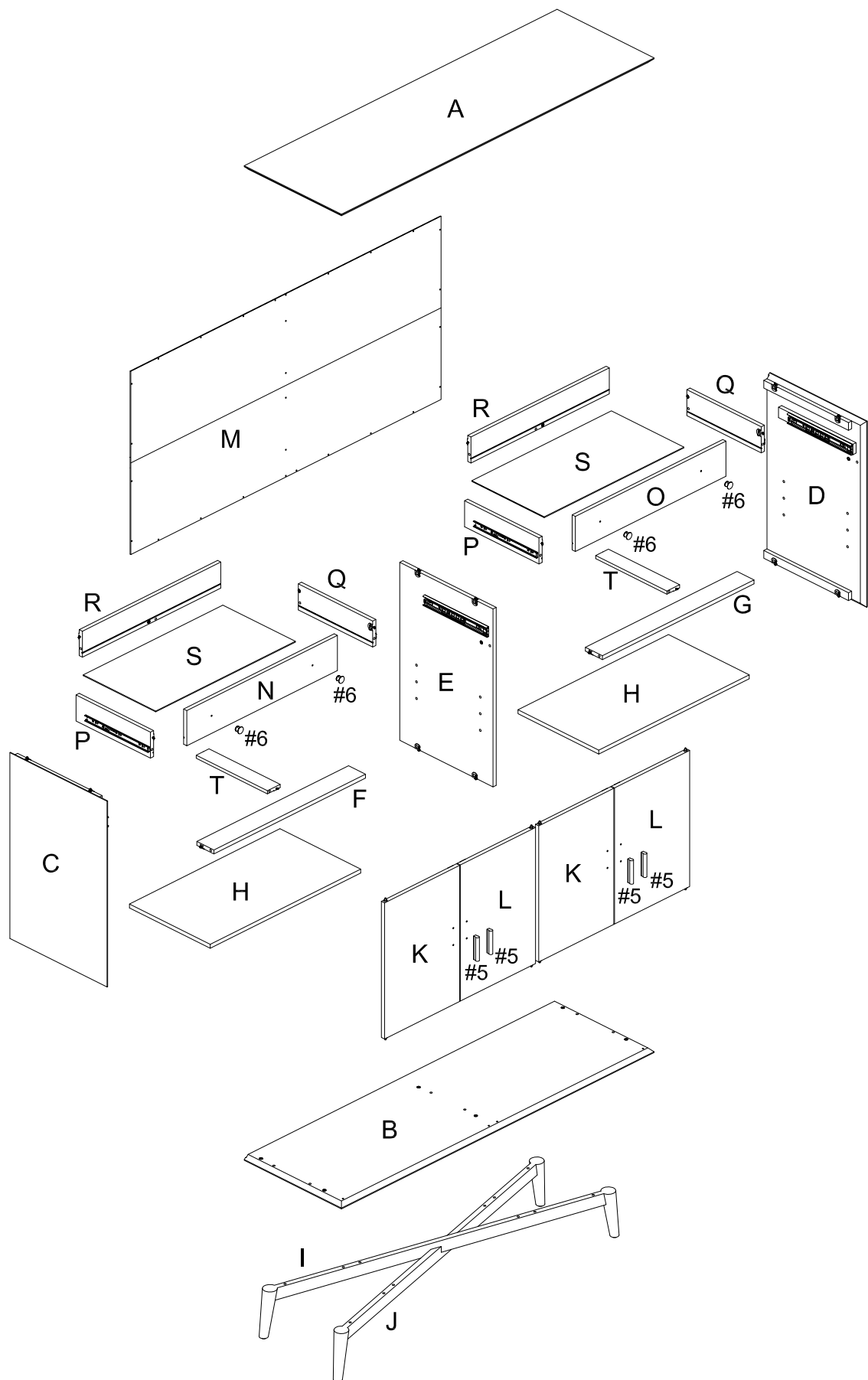
MAINTAINANCE AND WARNING

- Keep furniture away from heat.
- Do not clean furniture with harsh cleansers or polish. Do not use detergents, Solvents, abrasives, spray packs or leather cleaner. Use non-color mild soap with warm water clean spills(Mix 1:10 soap to water)
- Do not place furniture under direct sunlight, material will possibly fade over time.
- Do not use on site dry Cleaning machine.
- Children should not climb or jump on the furniture.
- Do not write on furniture without a padded barrier to protect the surface.
- Not for commercial use, For residential use only.

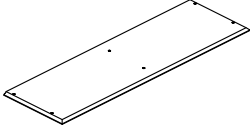
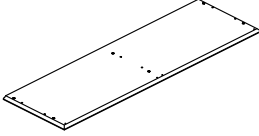
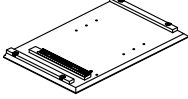
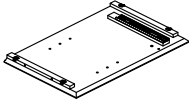
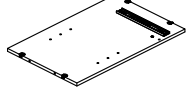


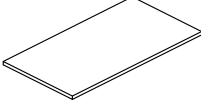
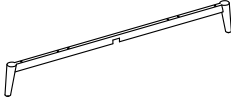
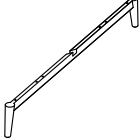


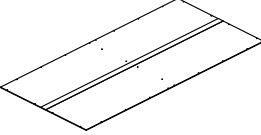
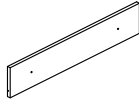
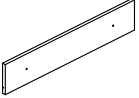
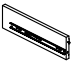
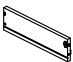
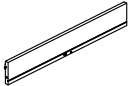
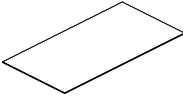
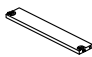


Weight Limitation

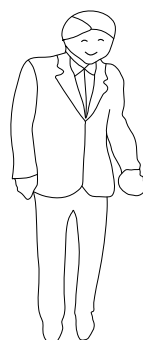
100LBS



PARTS LIST

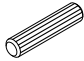
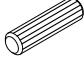
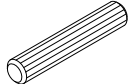
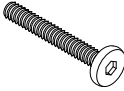
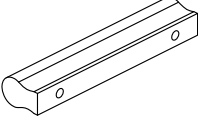


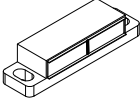
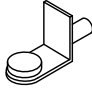


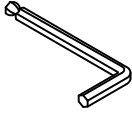

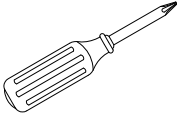
A 	B 	C 	D 	E 
Top Panel 1 PC	Bottom Panel 1 PC	Left Side Panel 1 PC	Right Side Panel 1 PC	Partition Panel 1 PC
F 	G 	H 	I 	J 
Left Cross Rail 1 PC	Right Cross rail 1 PC	Adjustable Shelf 2 PCS	Leg 1 PC	Leg 1 PC
K 	L 	M 	N 	O 
Left Door Panel 2 PCS	Right Door Panel 2 PCS	Back Panel 1 PC	Left Drawer Front Panel 1 PC	Right Drawer Front Panel 1 PC
P 	Q 	R 	S 	T 
Drawer Left Panel 2 PCS	Drawer Right Panel 2 PCS	Drawer Back Panel 2 PCS	Drawer Bottom Panel 2 PCS	Drawer Bottom Rail 2 PCS

Persons Required For Assembly:

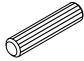
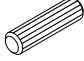
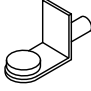



x2

HARDWARE LIST

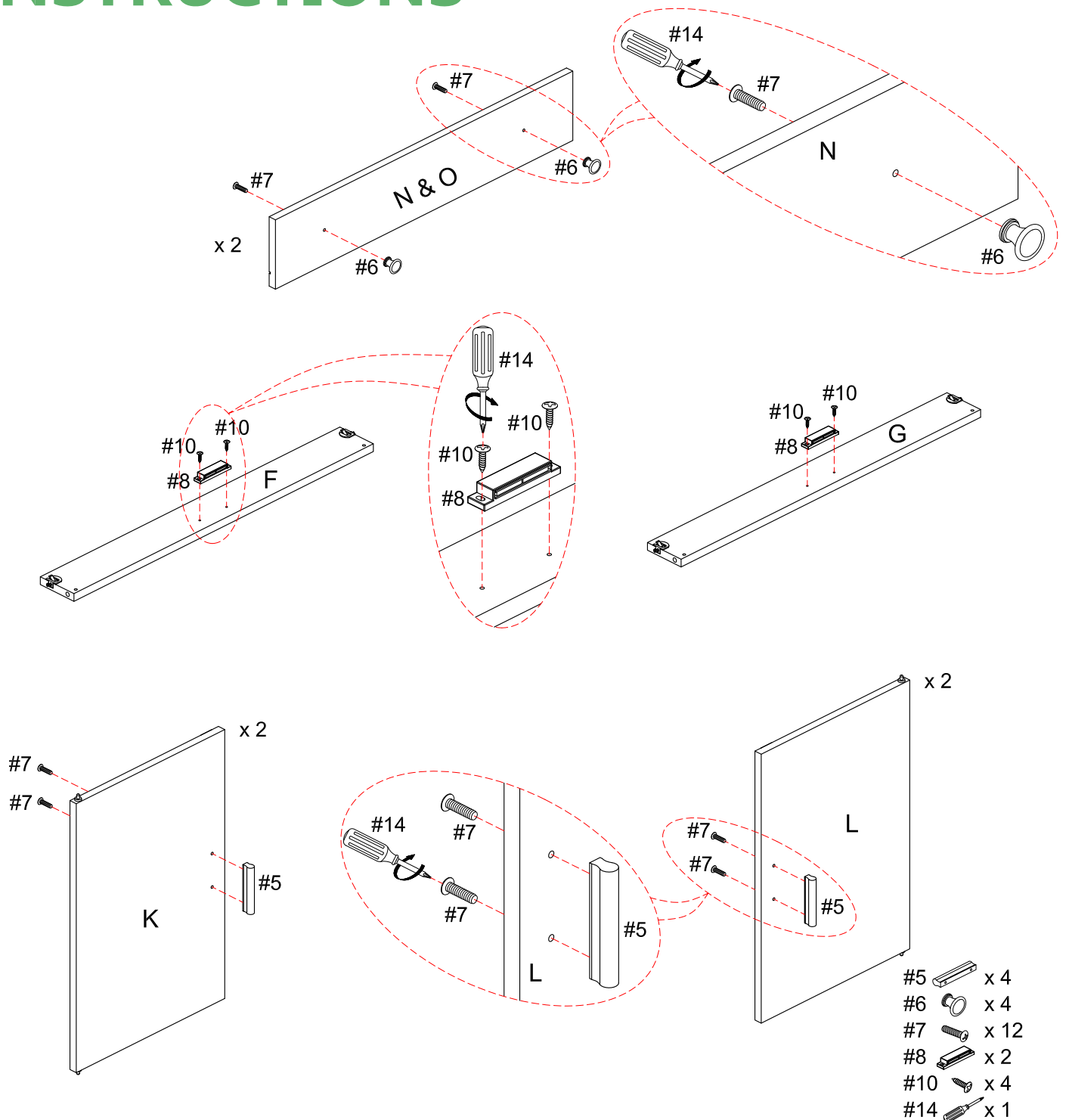
<p>#1</p>  <p>Ø6*30mm</p>	<p>#2</p>  <p>Ø8*30mm</p>	<p>#3</p>  <p>Ø8*40mm</p>	<p>#4</p>  <p>2"*Ø1/4"*D11mm</p>	<p>#5</p> 
<p>Small Wood Dowel 12 PCS</p>	<p>Medium Wood Dowel 12 PCS</p>	<p>Large Wood Dowel 1 PC</p>	<p>Bolt 8 PCS</p>	<p>Handle 4 PCS</p>
<p>#6</p> 	<p>#7</p> 	<p>#8</p> 	<p>#9</p> 	<p>#10</p> 
<p>Knob 4 PCS</p>	<p>Round Head Bolt 12 PCS</p>	<p>Magnet 2 PCS</p>	<p>Shelf Holder 8 PCS</p>	<p>12mm*Ø3*D6mm Small Round Head Screw 4 PCS</p>
<p>#11</p> 	<p>#12</p> 	<p>#13</p> 	<p>#14</p> 	
<p>12mm*Ø4*D9mm Large Round Head Screw 26 PCS</p>	<p>Allen Wrench 1 PC</p>	<p>Safety Strap Kit 1 SET</p>	<p>Philips Head Screwdriver 1 PC</p>	

SPARE

<p>#1</p>  <p>Ø6*30mm</p>	<p>#2</p>  <p>Ø8*30mm</p>	<p>#9</p> 	<p>#11</p>  <p>12mm*Ø4*D9mm</p>
<p>Small Wood Dowel 1 PC</p>	<p>Medium Wood Dowel 1 PC</p>	<p>Shelf Holder 1 PC</p>	<p>Large Round Head Screw 1 PC</p>

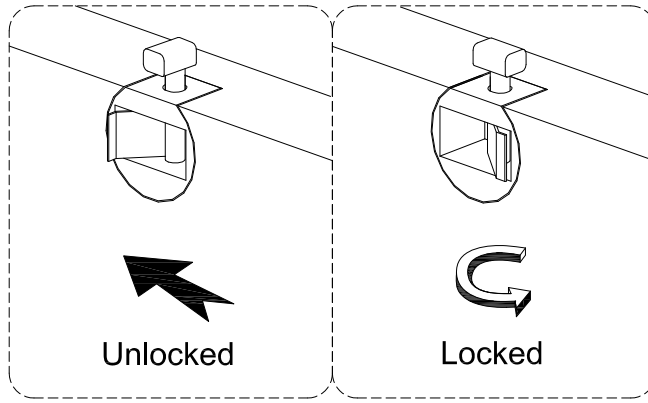
Be sure to check all packing material carefully for small parts, which may have come loose inside the carton during shipment.

ASSEMBLY INSTRUCTIONS



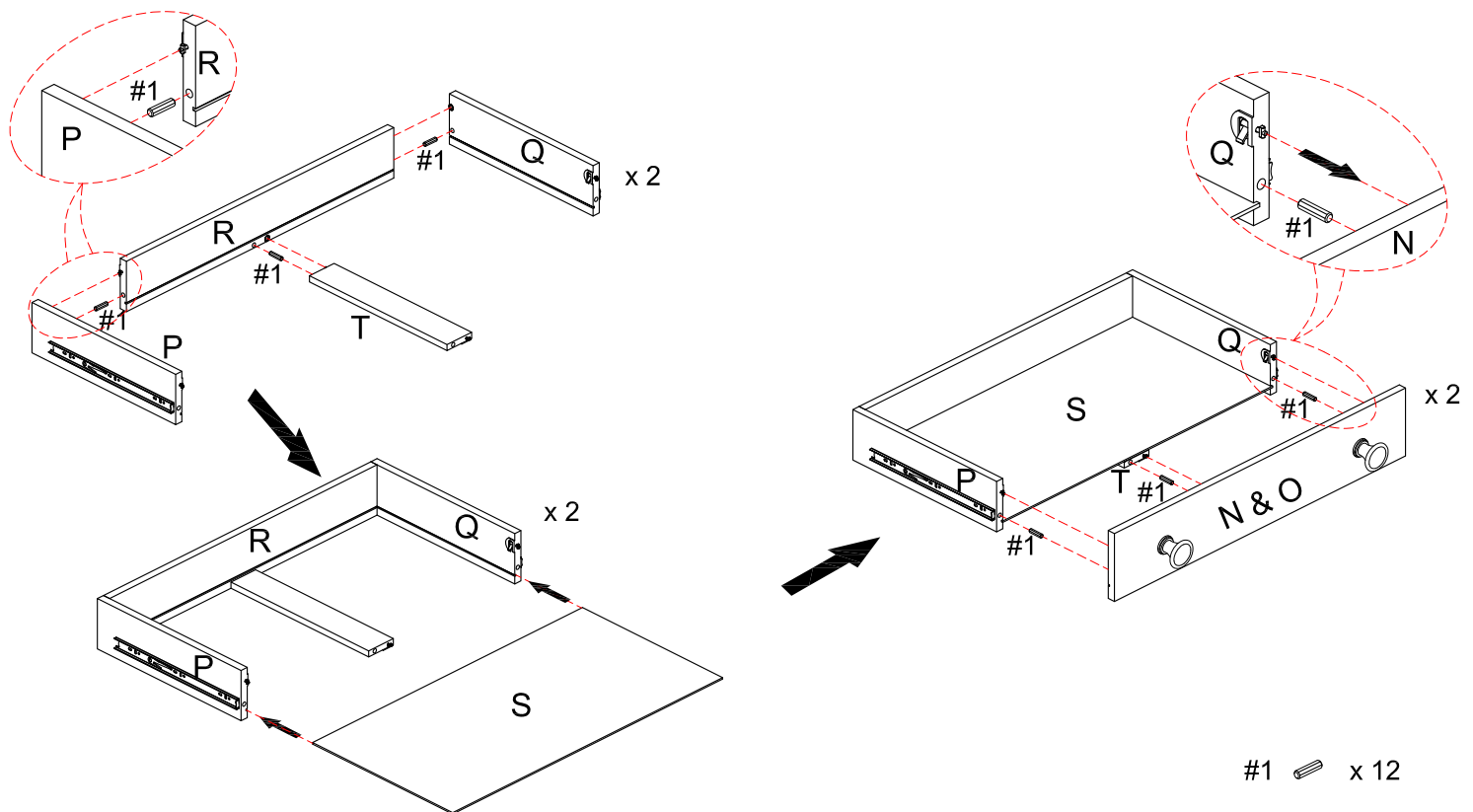
STEP 1: Use philips head screwdriver #14 to connect round head bolts #7 with knobs #6 on panels N & O. Use philips head screwdriver #14 to connect small round head screw #10 with magnet #8 on rails F & G. Use philips head screwdriver #14 to connect round head bolts #7 with handles #5 on panels K & L. Make sure all holes aligned and fasten all bolts to secure.

Please do not use tools to assemble this unit unless specifically indicated.



Reference the images above any time the instructions state "lock the hardware".

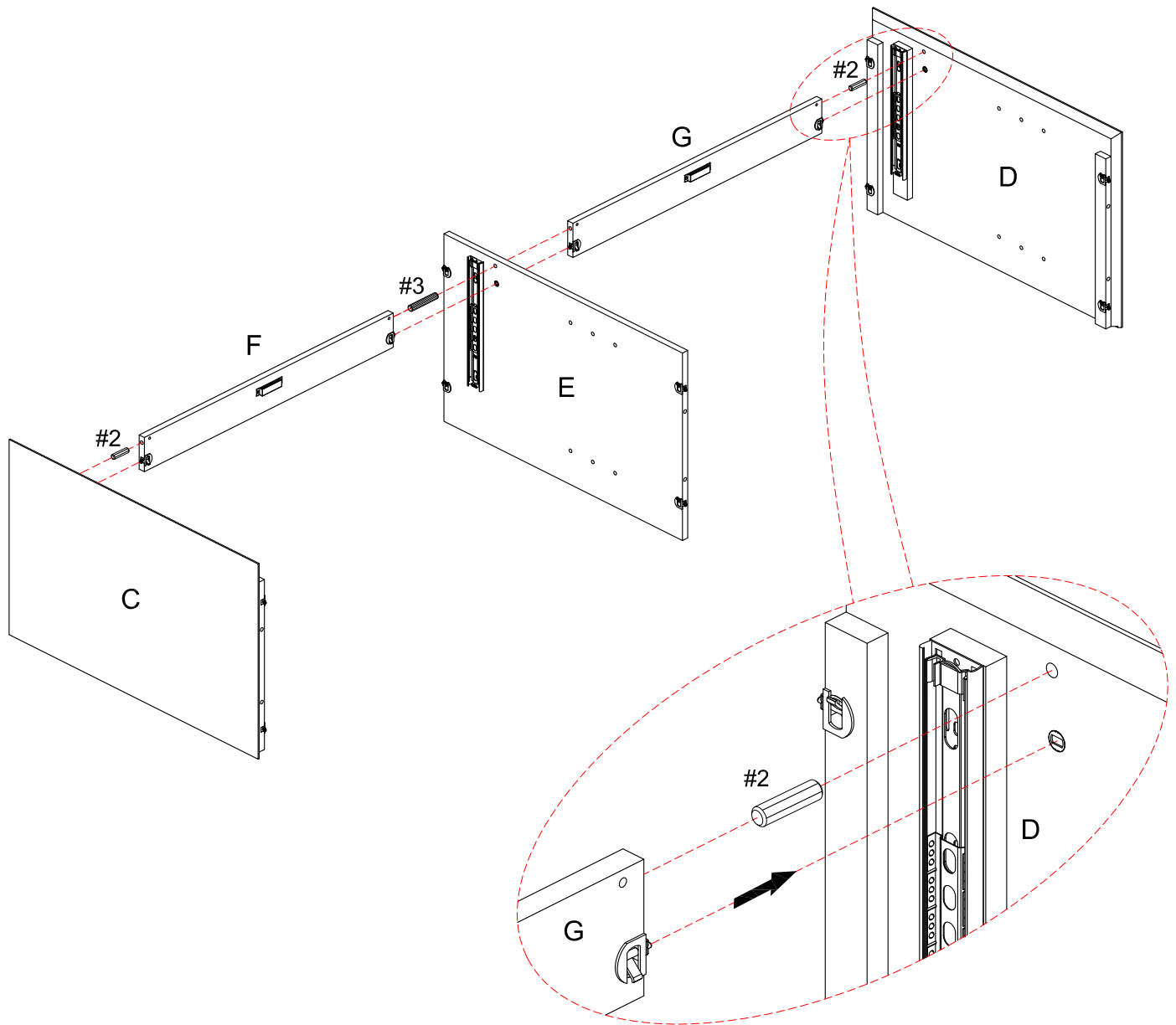
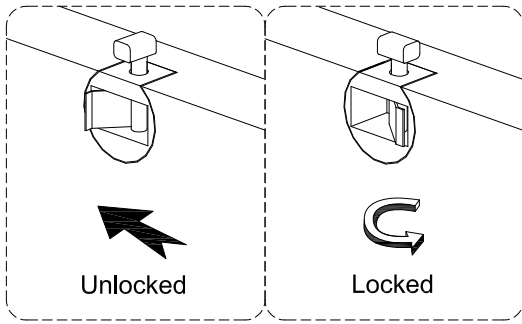
Note: Be sure to check all hardware is locked when completed.





STEP 2: Attach drawer back panel R to drawer left panel P and drawer right panel Q with small wood dowel #1 and lock the hardware. Attach drawer bottom rail T to drawer back panel R with small wood dowel #1 and lock the hardware.

Insert drawer bottom panel S into grooves of assembled unit P, Q & R.

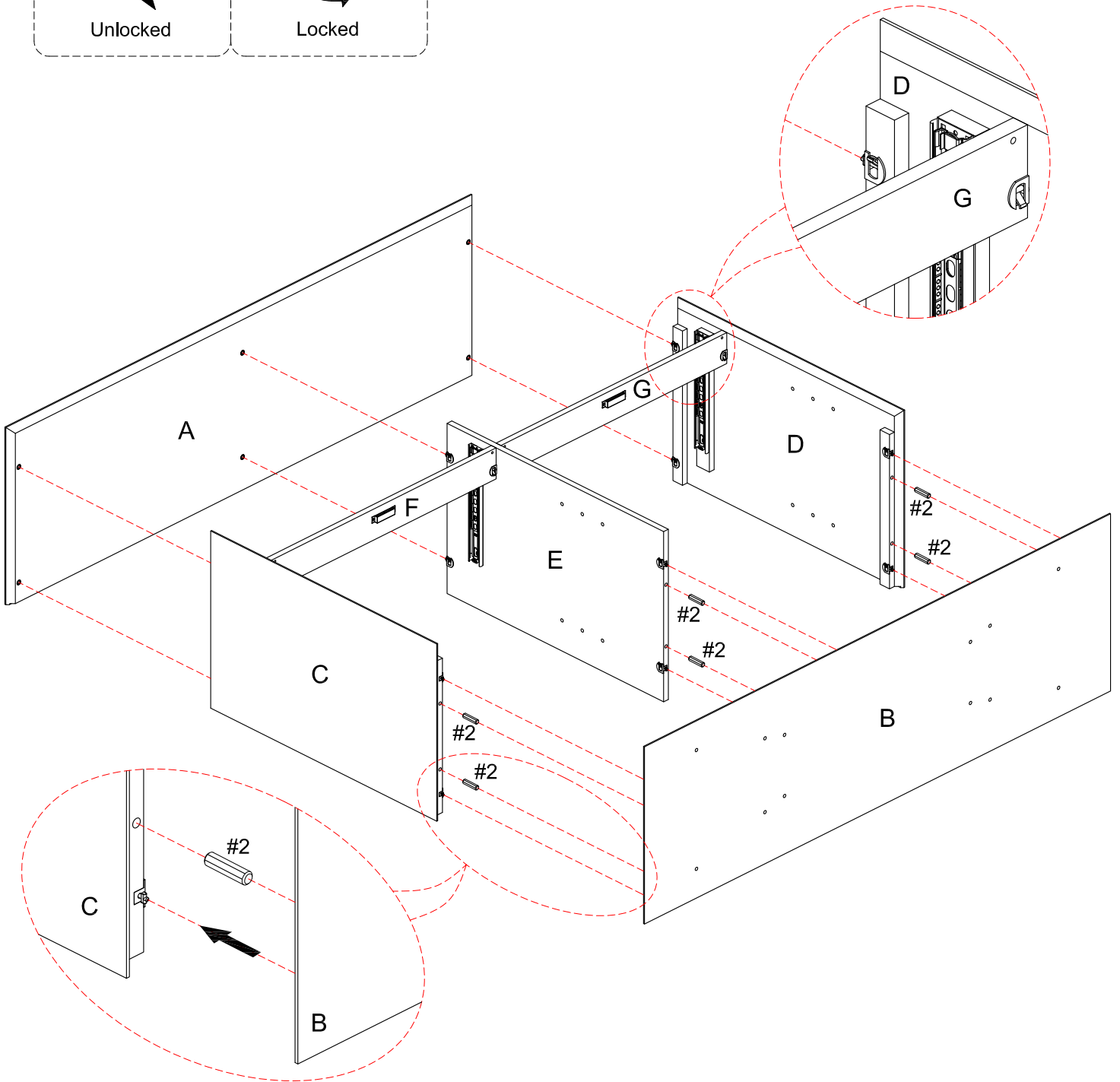
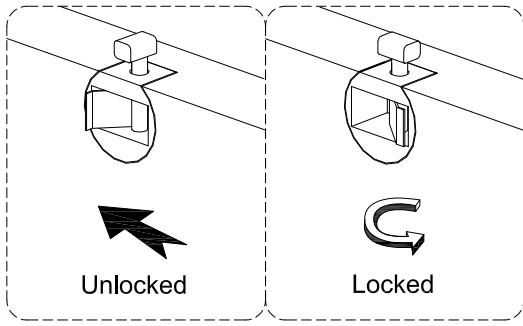
Attach drawer front panel N & O to assembled unit P, Q, S & T with small wood dowel #1 and lock the hardware.



#2  x 2
 #3  x 1

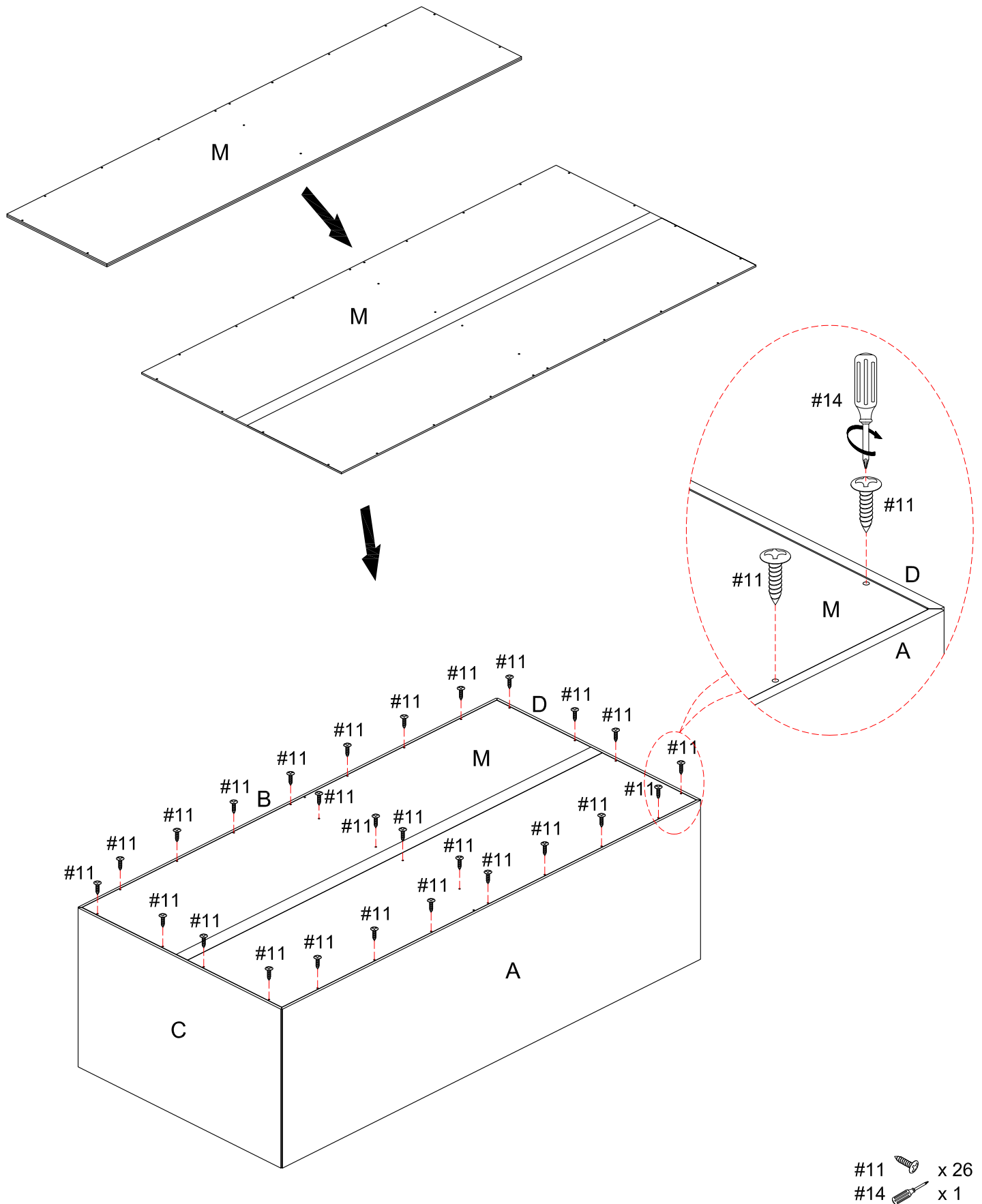
STEP 3: Attach left cross rail F to left side panel C and partition panel E with medium wood dowel #2, large wood dowel #3 and lock the hardware.

Attach right cross rail G to right side panel D and partition panel E with medium wood dowel #2 and lock the hardware.

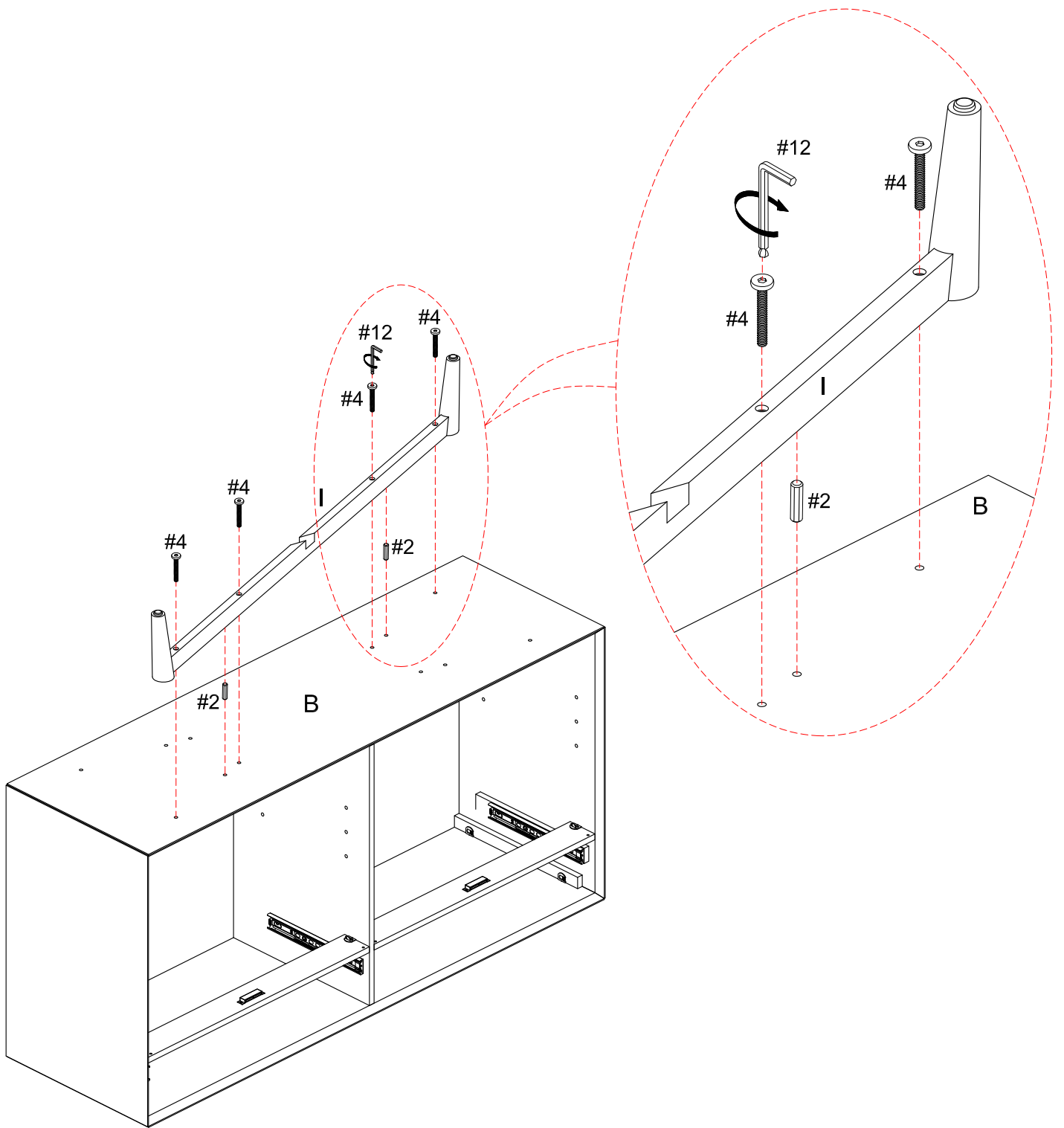





#2  x 6

STEP 4: Attach top panel A to assembled unit C, D, E, F & G with lock the hardware.
 Attach bottom panel B to assembled unit C, D & E with medium wood dowel #2 and lock the hardware.

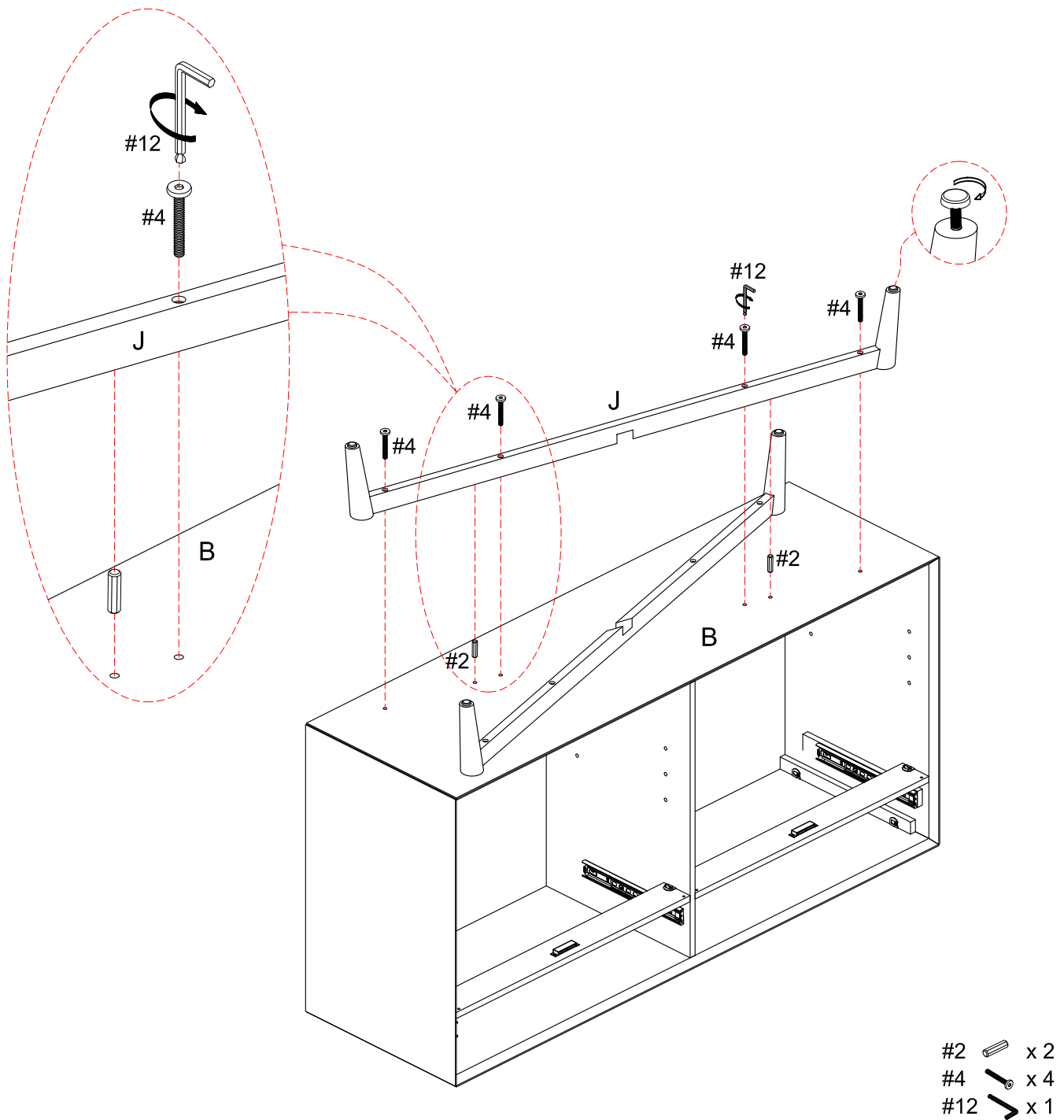


STEP 5: Use philips head screwdriver #14, large round head screws #11 to connect back panel M with assembled unit A, B, C, D & E, Make sure all holes aligned and fasten to secure.



- #2  x 2
- #4  x 4
- #12  x 1

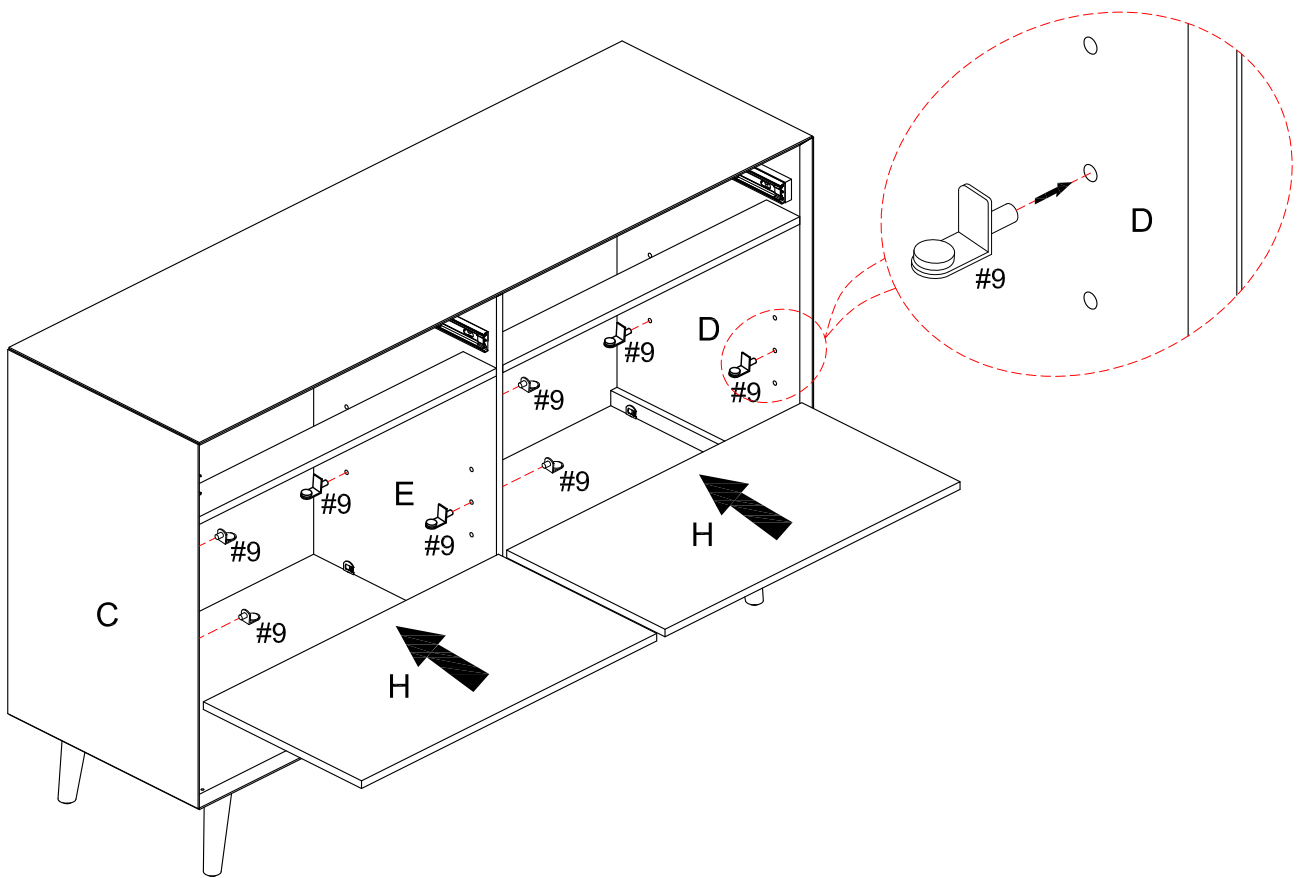
STEP 6: Attach leg I to bottom panel B with medium wood dowel #2, Bolt #4 and allen wrench #12. Make sure all holes aligned and fasten all bolt to secure.



STEP 7: Attach leg J to bottom panel B with medium wood dowel #2, Bolt #4 and allen wrench #12.

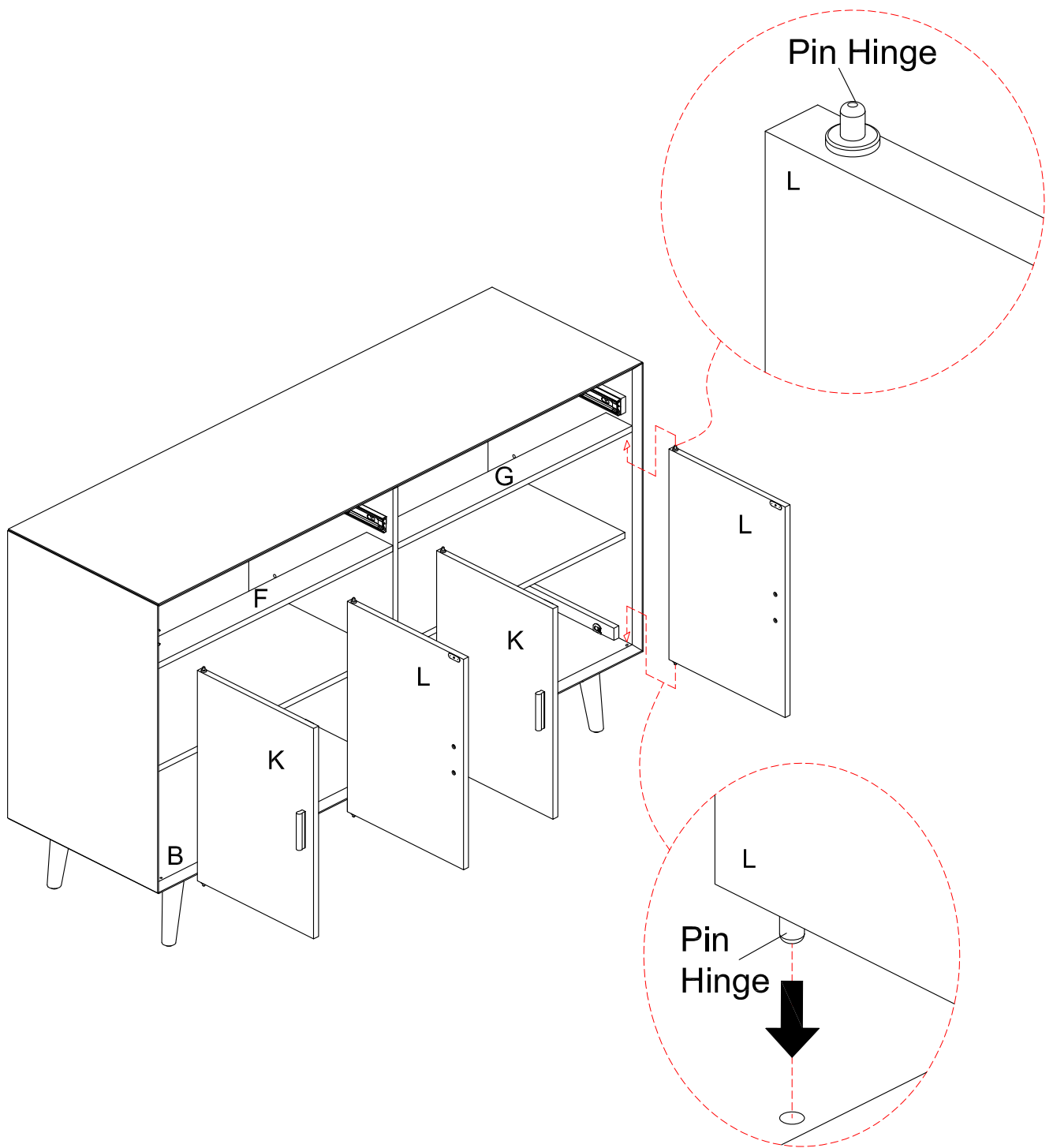
Make sure all holes aligned and fasten all bolt to secure.

Note: It is important to adjust levelers once fully assembled and upright. Extend adjustable leveler until it's firmly in contact with the floor. If relocating, adjust leveler as needed until it's firmly in contact with the floor in new location.



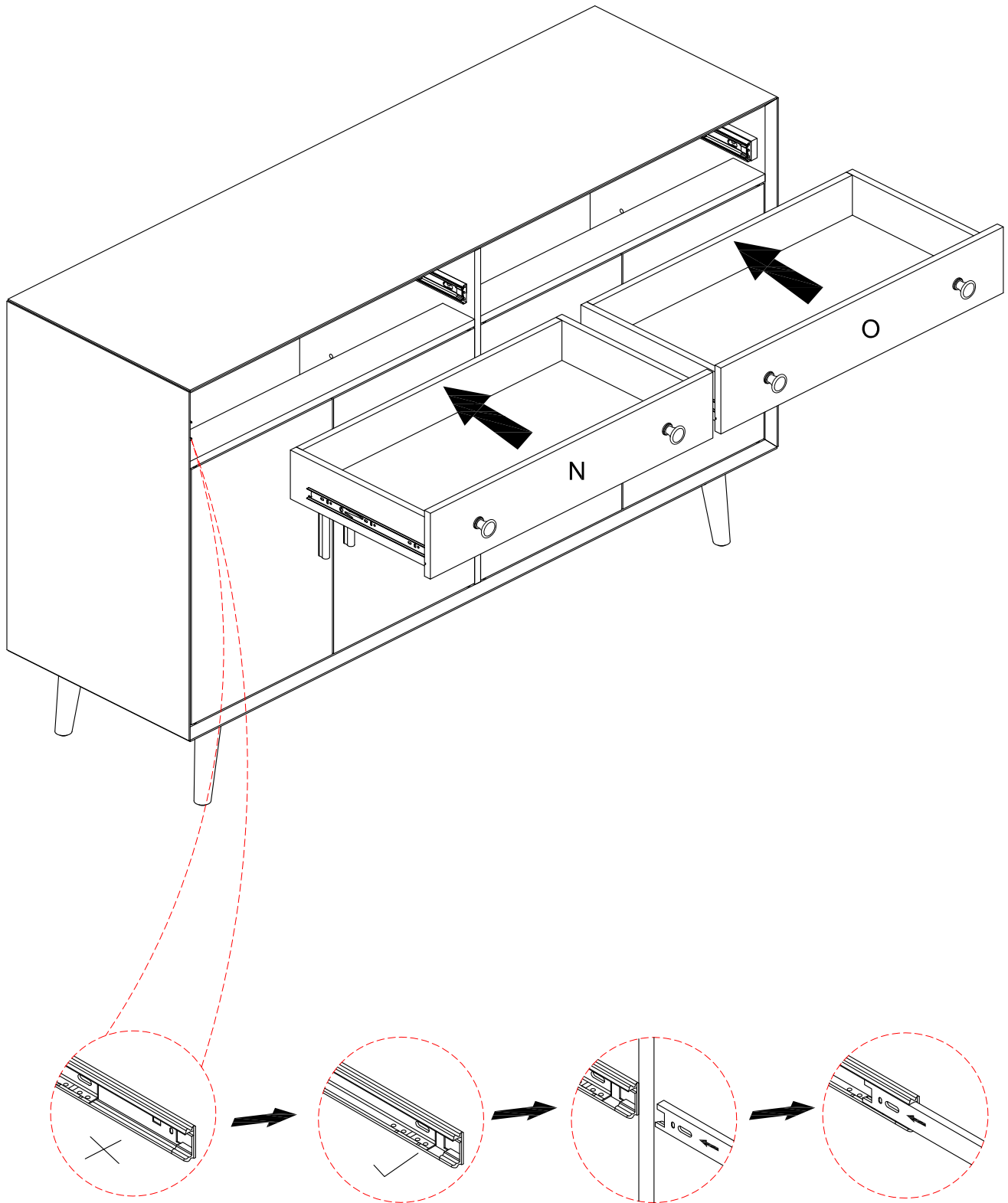
#9  x 8

STEP 8: Place shelf holders #9 into the holes of panels C,D & E, then slide adjustable shelves H into place.





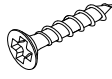
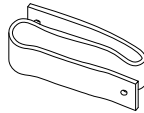
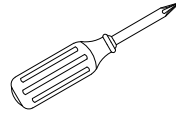
STEP 9: Place bottom pin hinge(pre-installed in door) in pre-drilled holes of bottom panel B, then connect door panels K & L by depressing the top spring-loaded pin hinge so it can be installed in the pre-drilled holes of cross rail F & G.

NOTE:Be sure top and bottom pin hinges are fully extended to secure doors in place.



STEP 10: Slide assembled drawers into place.

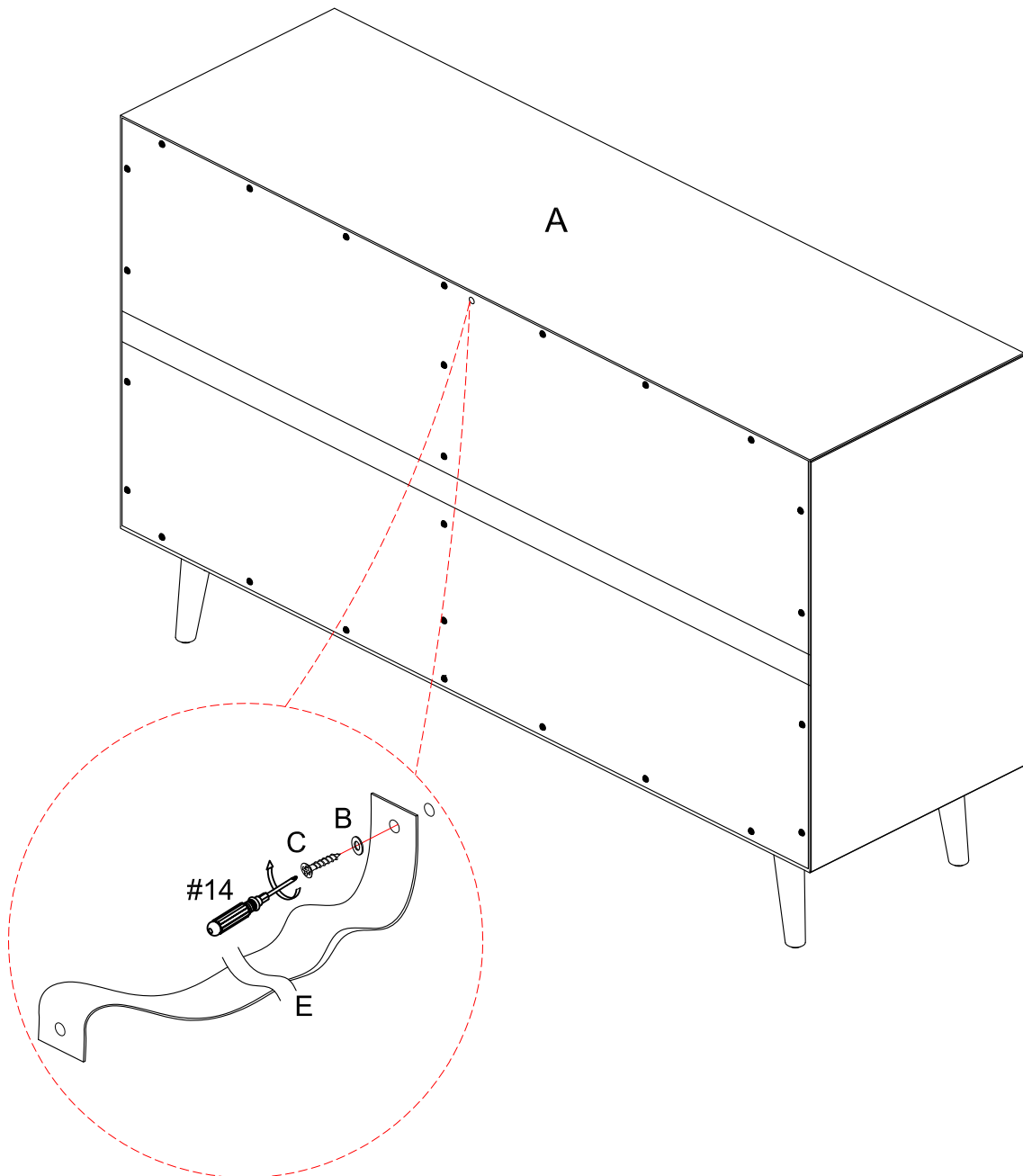
Important: Safety strap kit (part #13) must be installed to preventing tipping, damage and / or injury.

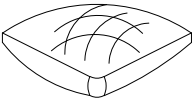
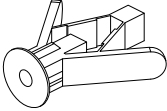

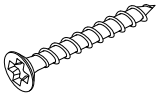
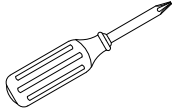
#13	B	C	E	#14
		 Ø8*3/4"		
Safety Strap Kit	Washer	Short Screw	Safety Wall Strap	Philips Head Screwdriver
1 SET	1 PC	1 PC	1 PC	1 PC

SAFETY WALL STRAP INSTALLATION

Note: It is highly recommended to install this safety strap kit to prevent tipping, damage and/or injury.

1. Insert short screw (C) through washer (B) and safety wall strap (E) and attach to top panel (part A) using philips head screwdriver #14.



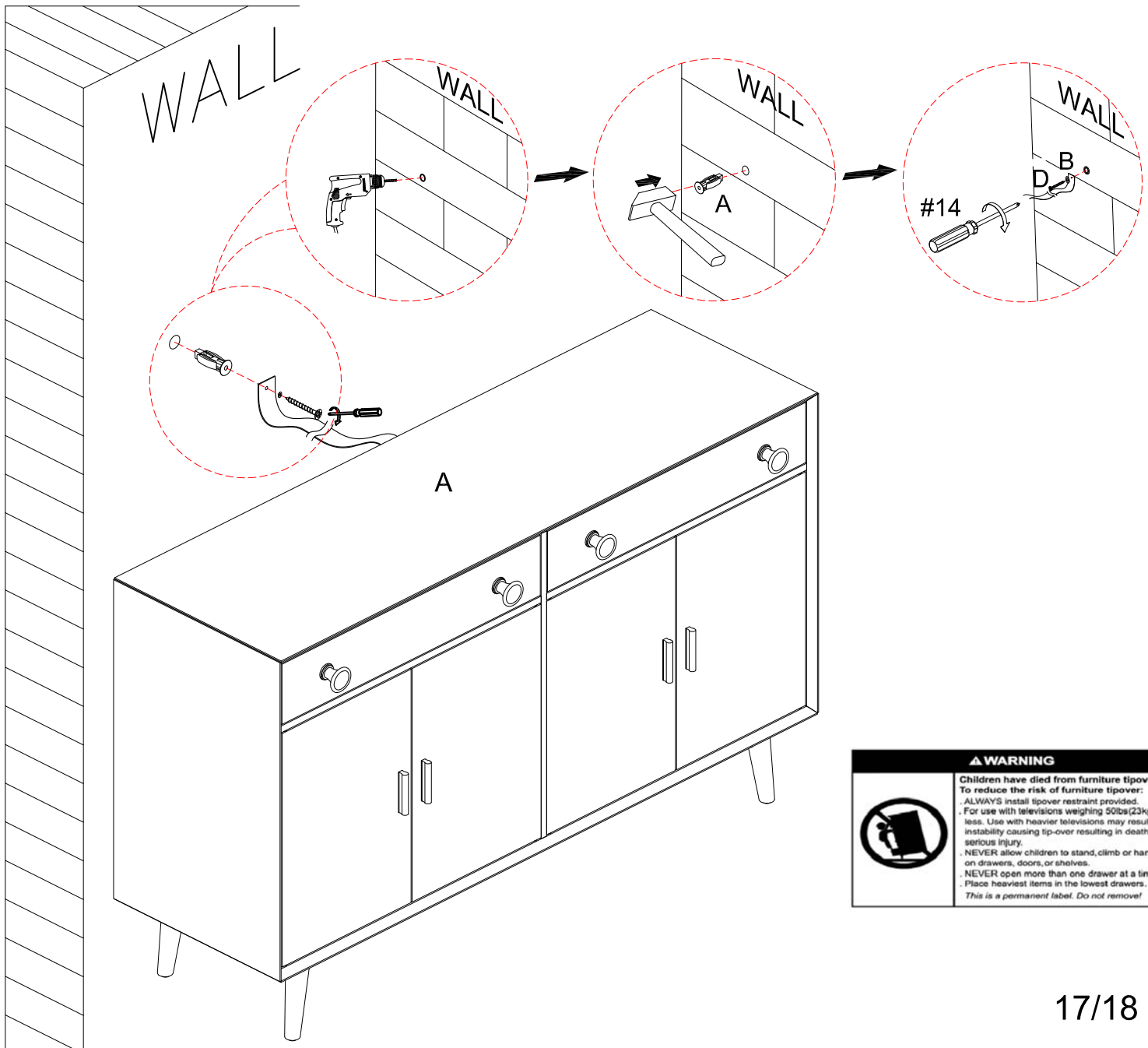
#13	A	B	D	#14
			 Ø8*1-1/2"	
Safety Strap Kit	Wall Anchor	Washer	Long Screw	Philips Head Screwdriver
1 SET	1 PC	1 PC	1 PC	1 PC

1. Drill a 11/32" hole where you want to secure the unit. The drilled hole will be at the same height as the hole in top panel (part A) where the safety wall strap (E) is attached. Tap wall anchor (A) into the hole.

2. Insert long screw (D) through washer (B) and safety wall strap (E) into wall anchor (A) using philips head screwdriver #14.

Note: This item is not intended for clothing storage use.

Note: The electrical drilling machine and hammer are not provided.



▲ WARNING

Children have died from furniture tipover. To reduce the risk of furniture tipover:

- ALWAYS install tipover restraint provided.
- For use with televisions weighing 50lbs (23kg) or less. Use with heavier televisions may result in instability causing tip-over resulting in death or serious injury.
- NEVER allow children to stand, climb or hang on drawers, doors, or shelves.
- NEVER open more than one drawer at a time.
- Place heaviest items in the lowest drawers.

This is a permanent label. Do not remove!

WARRANTY

We strive to offer high-quality products, and we also try our best to satisfy each and every customer that orders from us with product or service as needed. We provide 30 days warranty starting from the time you receive the item. Each customer must provide a record of their order such as the order number, or item receipt for any items that are out of the warranty period you may also still receive replacement parts by purchasing them with our company if they are available.

**Are you having difficulty
with assembly? Missing parts?
Please send email with your order No to
customerservice@hulalahome.com
For return, please check the return policy
with
the retailer or market place you bought
from.**

**Appreciate your purchasing from us.
Pop up your life by our furniture piece!**