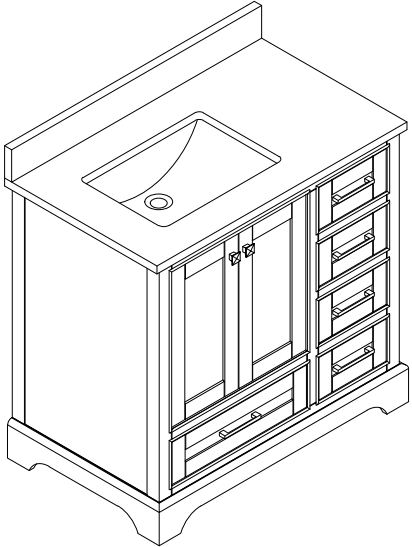
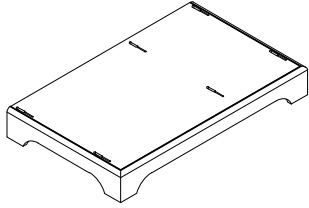
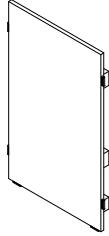
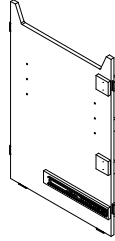
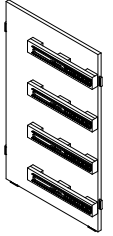
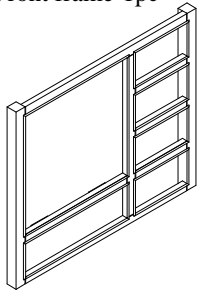
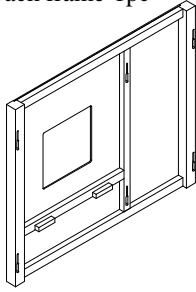
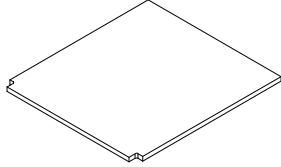
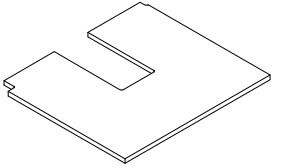
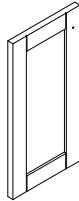
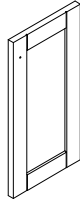
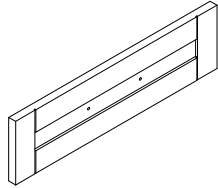
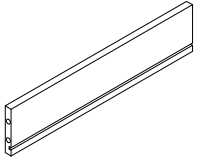
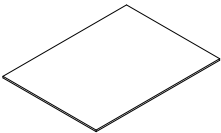
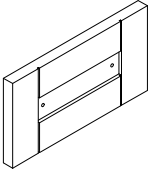
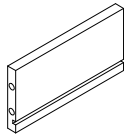
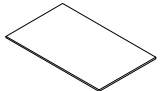
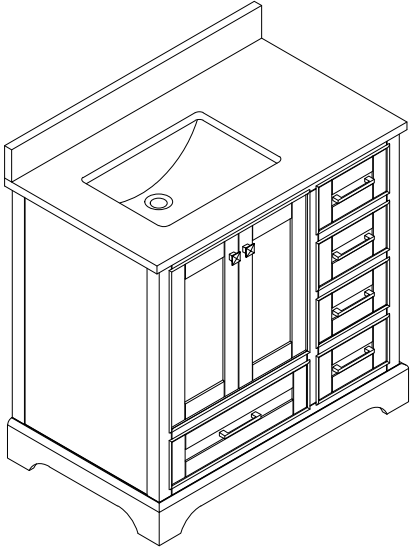
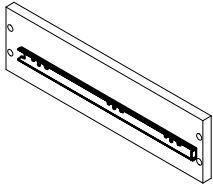
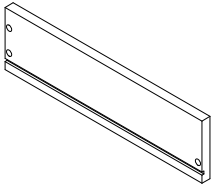
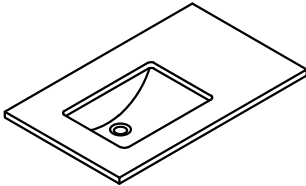
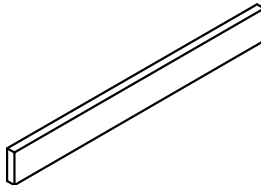
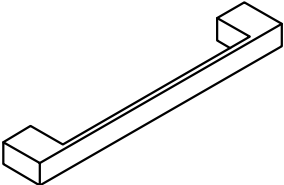
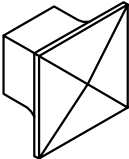


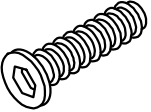
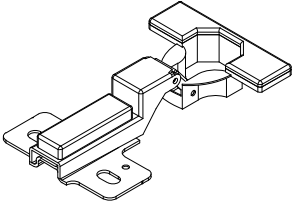
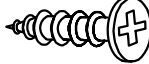
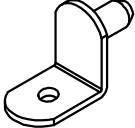
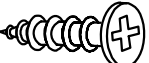



VTYM0310 MIRIAM 36" SINGLE BATHROOM VANITY SET

	<p>A Bottom frame-1pc</p> 	<p>B Left side panel-1pc</p> 	<p>C Partition panel-1pc</p> 	<p>D Right side panel-1pc</p> 
	<p>E Front frame-1pc</p> 	<p>F Back frame-1pc</p> 	<p>G Bottom panel-1pc</p> 	<p>H Shelf panel-1pc</p> 
	<p>I Left door-1pc</p> 	<p>J Right door-1pc</p> 	<p>K Large drawer front-1pc</p> 	<p>L Large drawer back-1pc</p> 
	<p>M Large drawer bottom-1pc</p> 	<p>N Small drawer front-4pcs</p> 	<p>O Small drawer back-4pcs</p> 	<p>P Small drawer bottom-4pcs</p> 

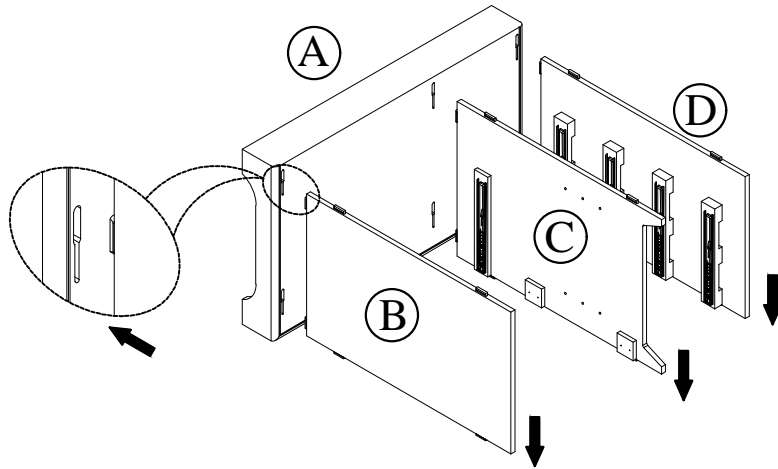
VTYM0310 MIRIAM 36" SINGLE BATHROOM VANITY SET

	<p>Q Drawer left side-5pcs</p> 	<p>R Drawer right side-5pcs</p> 	<p>S Stone top-1pc</p> 	<p>T Backsplash-1pc</p> 
	<p>1 Handle-5pcs</p> 	<p>2 Knob-2pcs</p> 	<p>3 35mm Bolt-10pcs</p> 	<p>4 28mm Bolt-2pcs</p> 
	<p>5 Ø1/4"*27mm Bolt-40pcs</p> 	<p>6 Door hinge-4pcs</p> 	<p>7 #4*15mm Screw-16pcs</p> 	<p>8 Shelf pin-4pcs</p> 
	<p>9 #4*12mm Screw-4pcs</p> 	<p>10 Allen key-1pc</p> 		

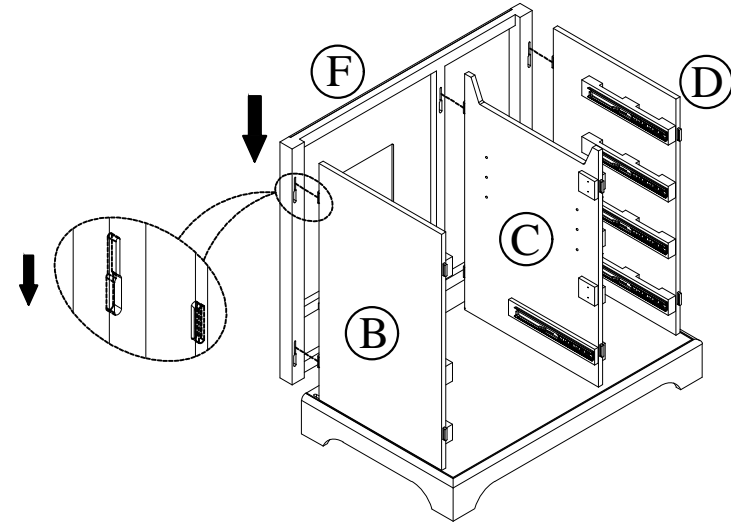


VTYM0310 MIRIAM 36" SINGLE BATHROOM VANITY SET

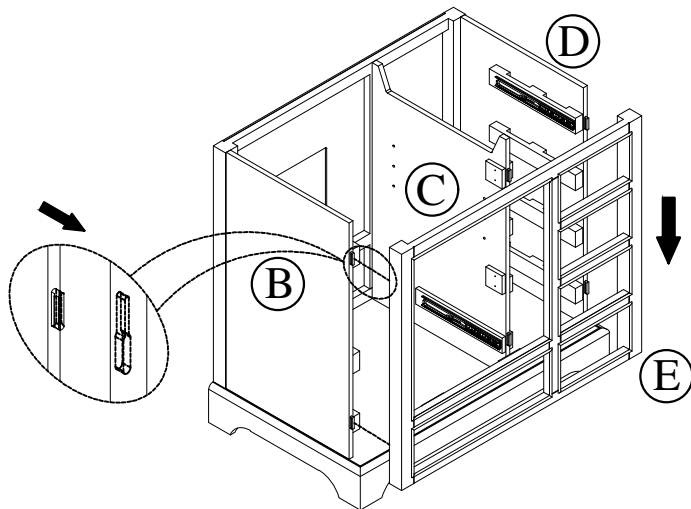
Step 1. Under help of adult partner, place the bottom frame A on clean padded surface, carefully align male and female bracket to connect left side panel B, right side panel D and partition panel C with bottom frame A, Slide forward to lock these panels in place.



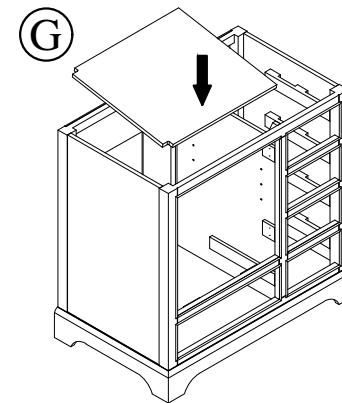
Step 2. Carefully align male and female bracket to connect left side panel B, right side panel D and partition panel C with back frame F, push the back frame F down to lock these panels in place.



Step 3. Carefully align male and female bracket to connect left side panel B, right side panel D and partition panel C with front frame E, push the front frame E down to lock these panels in place.

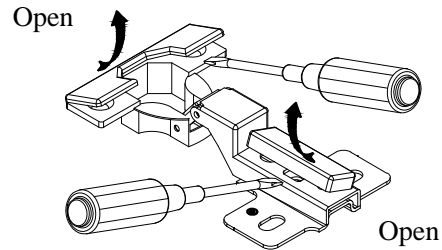


Step 4. Insert bottom panel G from top of the unit in an angle then place it to space in between front/back frame and on top of bottom frame.

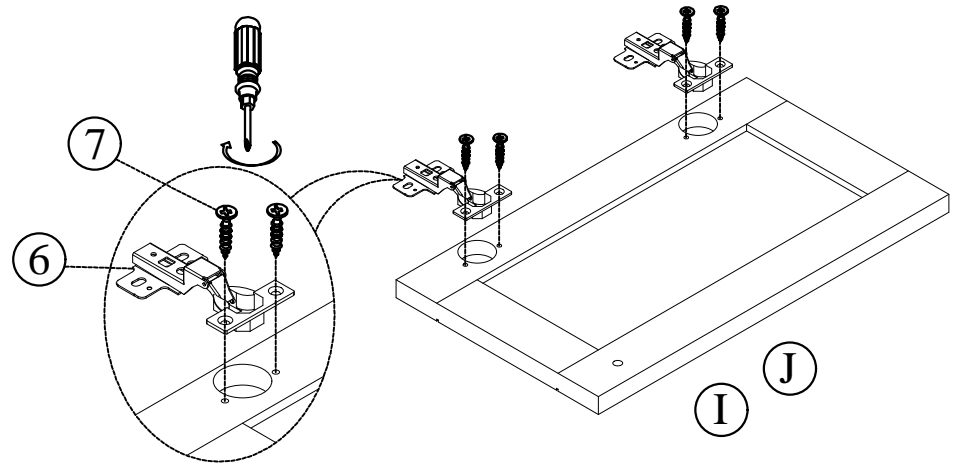


VTYM0310 MIRIAM 36" SINGLE BATHROOM VANITY SET

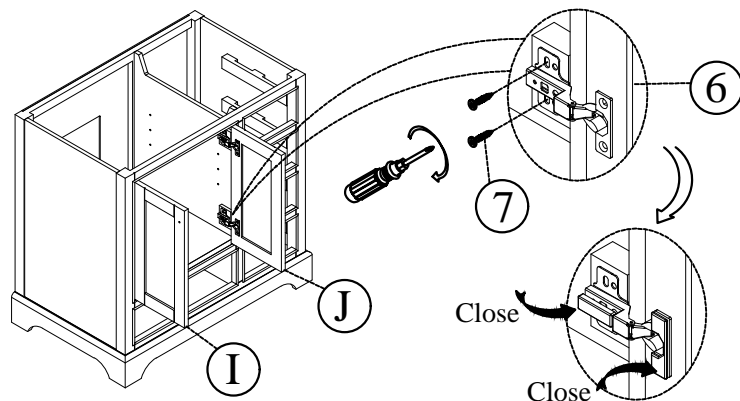
Step 5. Fix the door hinge #6, use a flathead screwdriver to open the 2 covers on the door hinge #6.



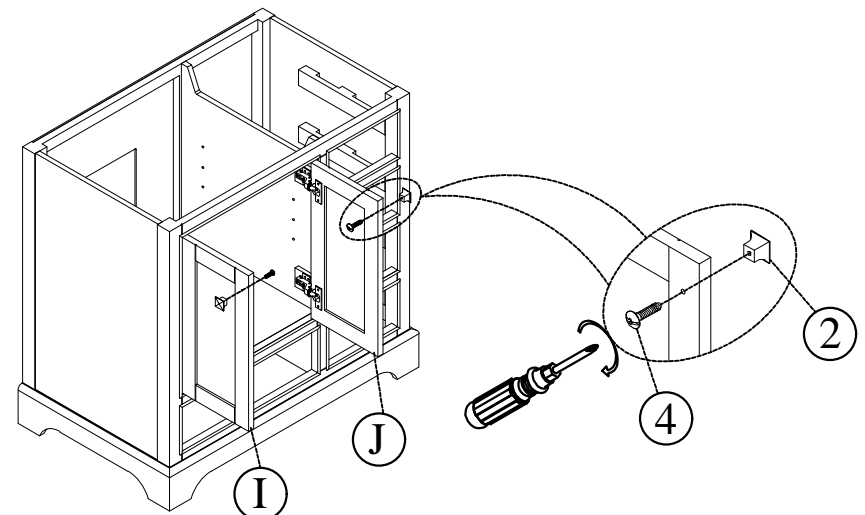
Step 6. Make sure screw holes on door hinge align with predrilled screw holes on backside of door panel, use philips head screw driver and screw #7 to attach door hinge #6 on backside of door panel I/J.



Step 7. Carefully hold the door I/J and make sure screw holes on door hinge base align with predrilled screw holes on inside of partition/side panel, use philips head screw driver and screw #7 to attach door hinge #6 on inside of partition/side panel. Adjust the screw on center portion of hinge slightly by loose or fasten screws to make sure even gap around door, and close the 2 covers on the door hinge #6.

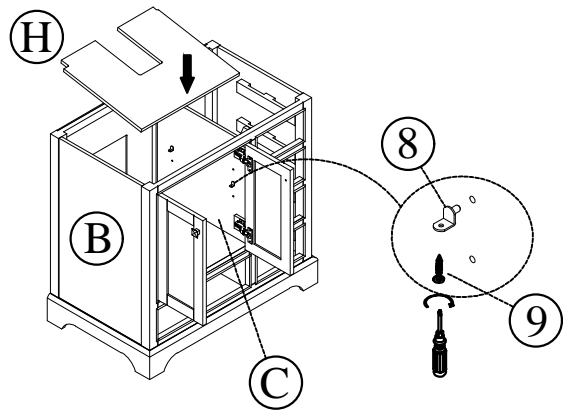


Step 8. Use philips head screw driver and screw #4 to attach knobs #2 to door panel I/J, fasten to secure.

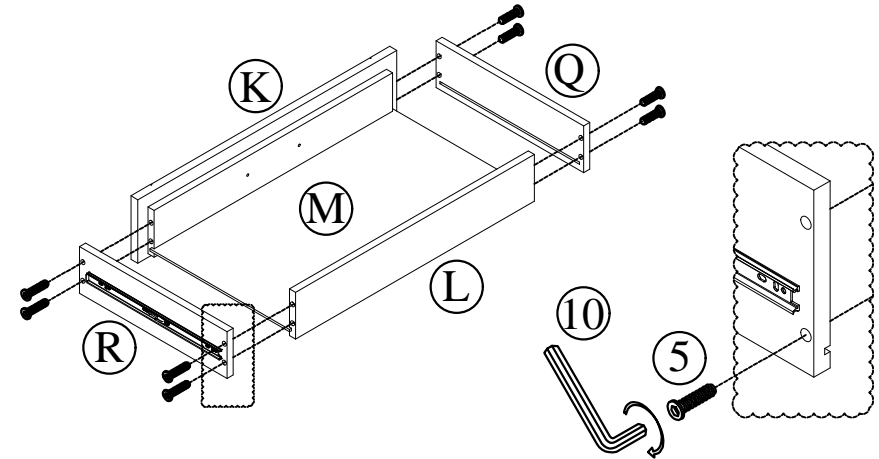


VTYM0310 MIRIAM 36" SINGLE BATHROOM VANITY SET

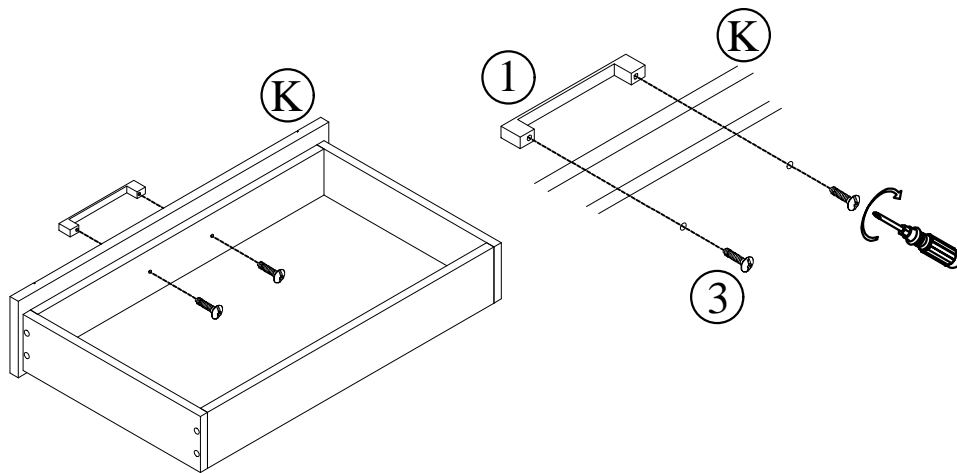
Step 9. Insert shelf support #8 to holes on partition/side panel and make sure all 4 shelf support on same level. Insert adjustable shelf H through top of the unit then use philips head screw driver and screw #9 to connect shelf and support.



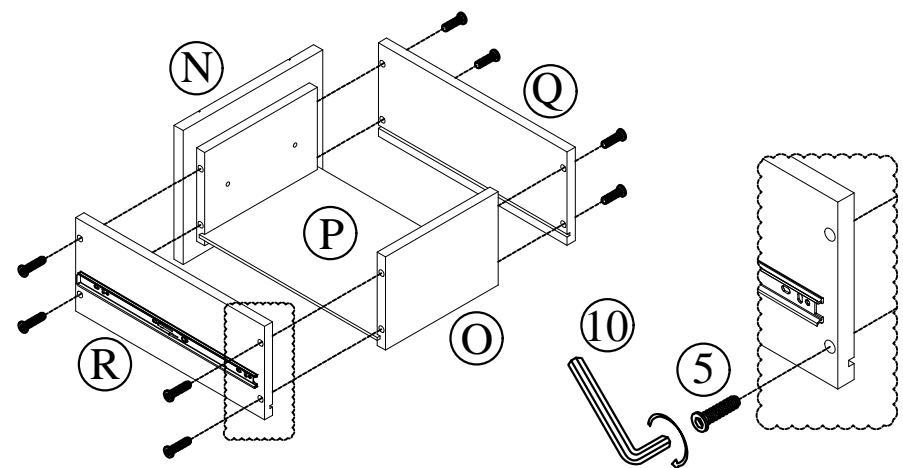
Step 10. Use bolt #5, allen key #10 to connect drawer side R with drawer front K and drawer back L, then insert drawer bottom M through lower channel on drawer front and back. Then use bolt #5, allen key #10 to connect drawer side Q with drawer front K and drawer back L to complete the drawer box assembly.



Step 11. Use philips head screw driver and screw #3 to attach handle #1 on drawer fronts.

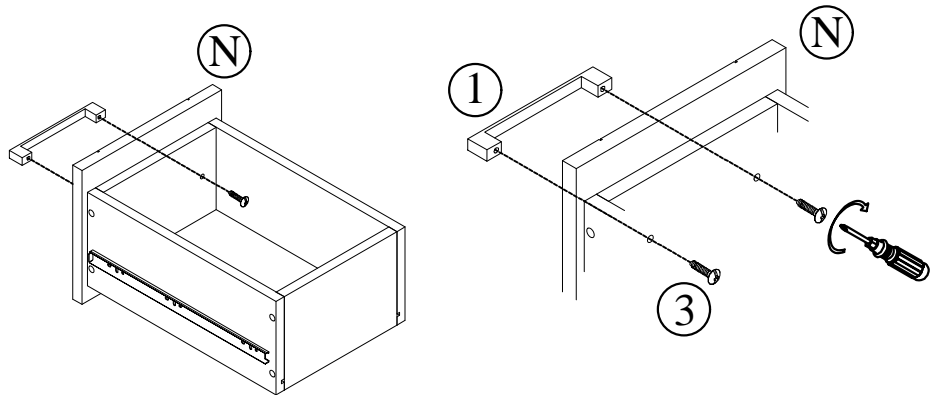


Step 12. Use bolt #5, allen key #10 to connect drawer side R with drawer front N and drawer back O, then insert drawer bottom P through lower channel on drawer front and back. Then use bolt #5, allen key #10 to connect drawer side Q with drawer front N and drawer back O to complete the drawer box assembly.

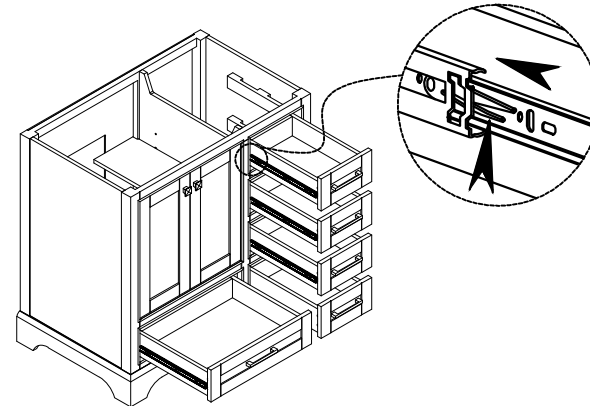


VTYM0310 MIRIAM 36" SINGLE BATHROOM VANITY SET

Step 13. Use philips head screw driver and screw #3 to attach handles #1 on drawer fronts.

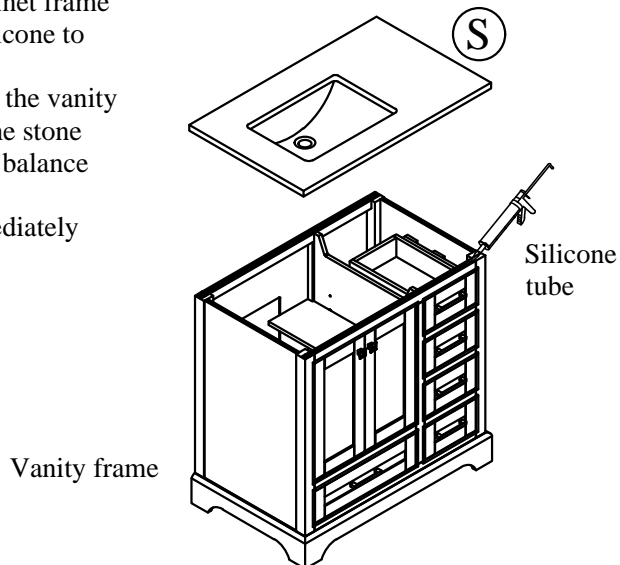


Step 14. Pull out the ball bearing slides and carefully align the slides on drawer box with slides pre-installed on side panel/partition panel then insert drawers. If the drawer fronts mis-align please loose the screw that holding drawers slides on outside of the drawer box and make proper adjustment then fasten these released screws.

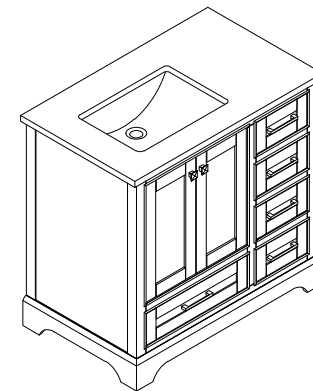


Step 15.

- Clean the top edges of the cabinet frame
- Apply sufficient amount of silicone to the top of the vanity frame.
- Place the stone top S on top of the vanity frame, align the back edge of the stone with the back of the vanity and balance the over hang of 2 sides.
- Wipe off excess silicone immediately and let it dry for 4 hours.

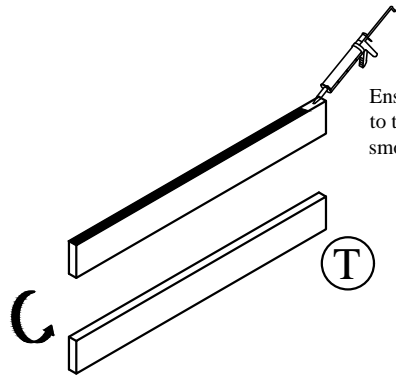


Step 16. Place the vanity in the desired location. Ensure the vanity set leveled by slightly adjust the adjustable levelers. Install the faucet and all plumbing. Ensure there are no water leaks.

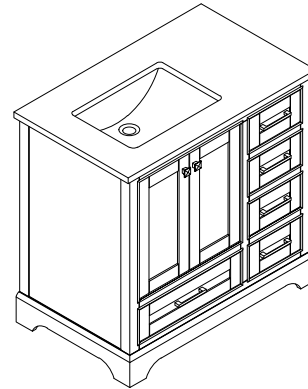


VTYM0310 MIRIAM 36" SINGLE BATHROOM VANITY SET

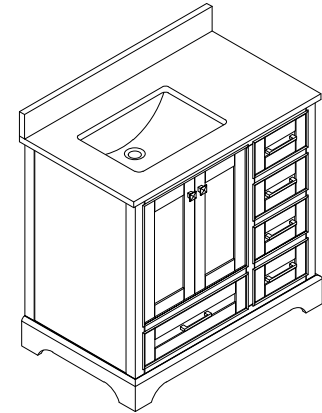
Step 17. With the vanity in its location and all plumbing in place, apply a bead of silicone to the unpolished back side and bottom edge of the backsplash and secure it to the vanity. Wipe away any excess silicone immediately. Allow 24 hours to dry.



Ensure to apply the silicone to the rough edge and the smooth face must facing front



24H



Assembly completed

