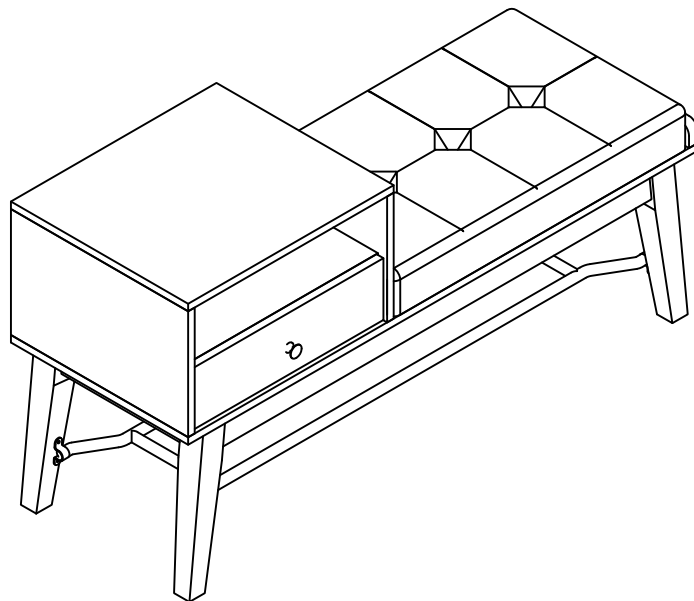
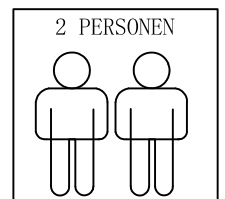


HULALA
H O M E



ITEM NO. BEJY0538



NOTE:

This brochure contains IMPORTANT safty info. Please read and keep for future reference.

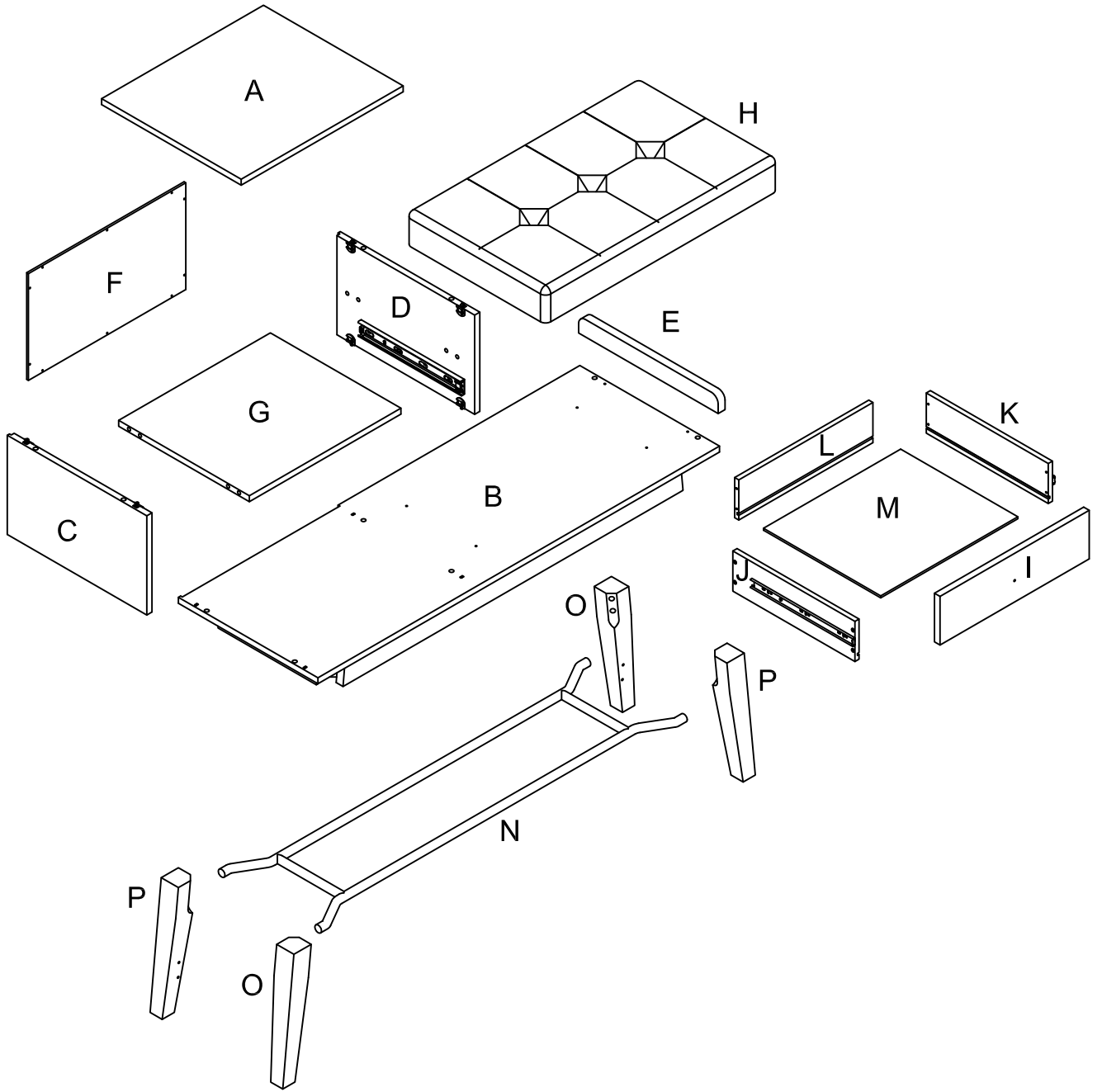
MAINTAINANCE AND WARNING

- Keep furniture away from heat.
- Do not clean furniture with harsh cleansers or polish. Do not use detergents, Solvents, abrasives, spray packs or leather cleaner. Use non-color mild soap with warm water clean spills(Mix 1:10 soap to water)
- Do not place furniture under direct sunlight, material will possibly fade over time.
- Do not use on site dry Cleaning machine.
- Children should not climb or jump on the furniture.
- Do not write on furniture without a padded barrier to protect the surface.
- Not for commercial use, For residential use only.



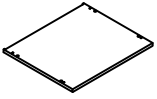
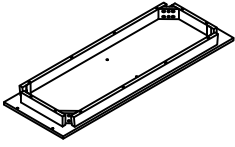
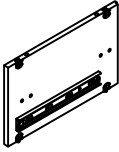
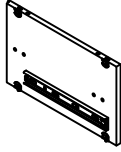
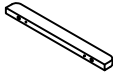
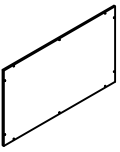
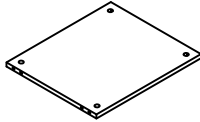
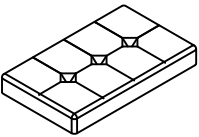
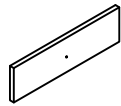
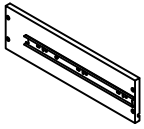
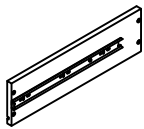
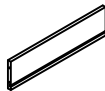
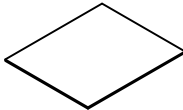
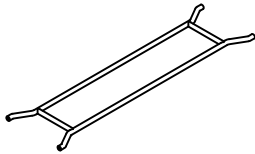


Weight Limitation

100LBS

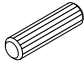


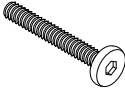



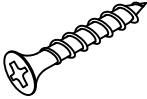



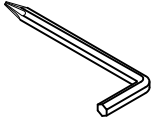


Explosive View

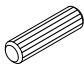



PARTS LIST

<p>A</p> 	<p>B</p> 	<p>C</p> 	<p>D</p> 	<p>E</p> 
<p>Top Panel 1 PC</p>	<p>Bottom Frame 1 PC</p>	<p>Left Side Panel 1 PC</p>	<p>Right Side Panel 1 PC</p>	<p>Baffle Panel 1 PC</p>
<p>F</p> 	<p>G</p> 	<p>H</p> 	<p>I</p> 	<p>J</p> 
<p>Back Panel 1 PC</p>	<p>Fixed Shelf 1 PC</p>	<p>Seat Cover 1 PC</p>	<p>Drawer Front Panel 1PC</p>	<p>Drawer Right Panel 1 PC</p>
<p>K</p> 	<p>L</p> 	<p>M</p> 	<p>N</p> 	<p>O</p> 
<p>Drawer Left Panel 1 PC</p>	<p>Drawer Back Panel 1PC</p>	<p>Drawer Bottom Panel 1 PC</p>	<p>Trestle 1 PC</p>	<p>Leg 2 PCS</p>
<p>P</p>  <p>Leg 2 PCS</p>				

HARDWARE LIST

 Ø8*30mm			 Ø1/4"*1-3/4"*D11mm	
Wood Dowel 14 PCS	Flat Washer 14 PCS	Spring Washer 14 PCS	Long Bolt 8 PCS	Handle 1 PC
	 Ø5/32"*3/4"	 Ø8*30mm	 Ø1/4"*1-1/4"*D11mm	 Ø3*15mm*D6mm
Leg Lock 4 PCS	Round Head Bolt 1 PC	Flat Head Screw 8 PCS	Short Bolt 6 PCS	Round Head Screw 10 PCS
 Ø3*15mm*D6mm				
Round Head Screw 8 PCS	Allen Wrench 1 PC			

SPARE

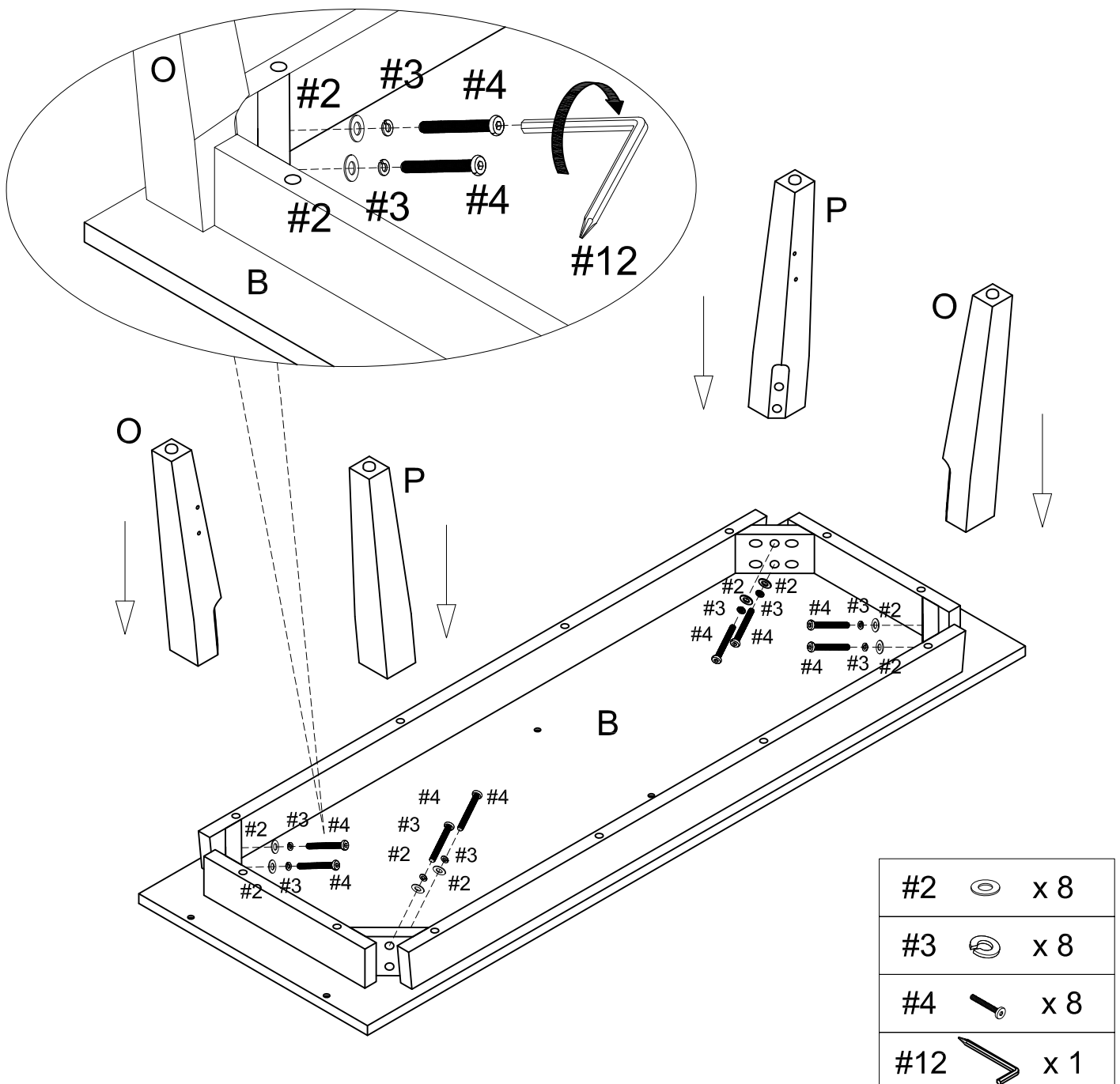
 Ø8*30mm			 Ø3*15mm*D6mm
Medium Wood Dowel 1 PC	Flat Washer 1 PC	Spring Washer 1 PC	Round Head Screw 1 PC

Be sure to check all packing material carefully for small parts, which may have come loose inside the carton during shipment.

ASSEMBLY INSTRUCTIONS

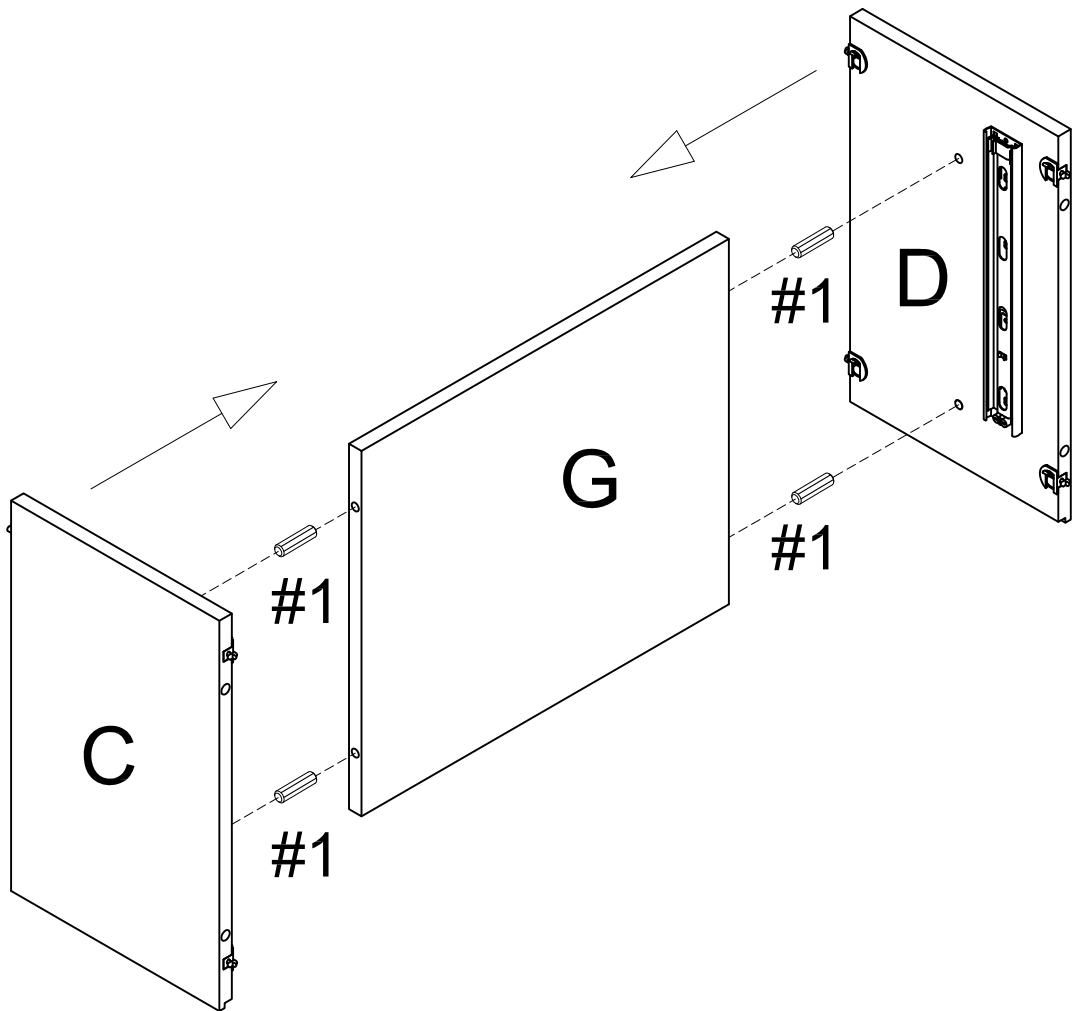
STEP 1:


1. Use long bolt #4, spring washer #3 and flat washer #2 to attach bottom frame B to leg P&O, then tighten it with allen wrench #12.

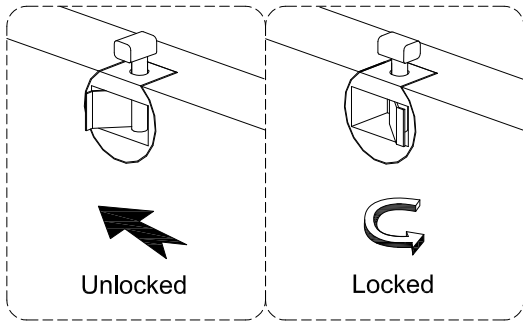


STEP 2:

1. Insert wooden dowel #1 into the corresponding hole of fixed shelf G.
2. Insert side panel C&D into the fixed shelf G

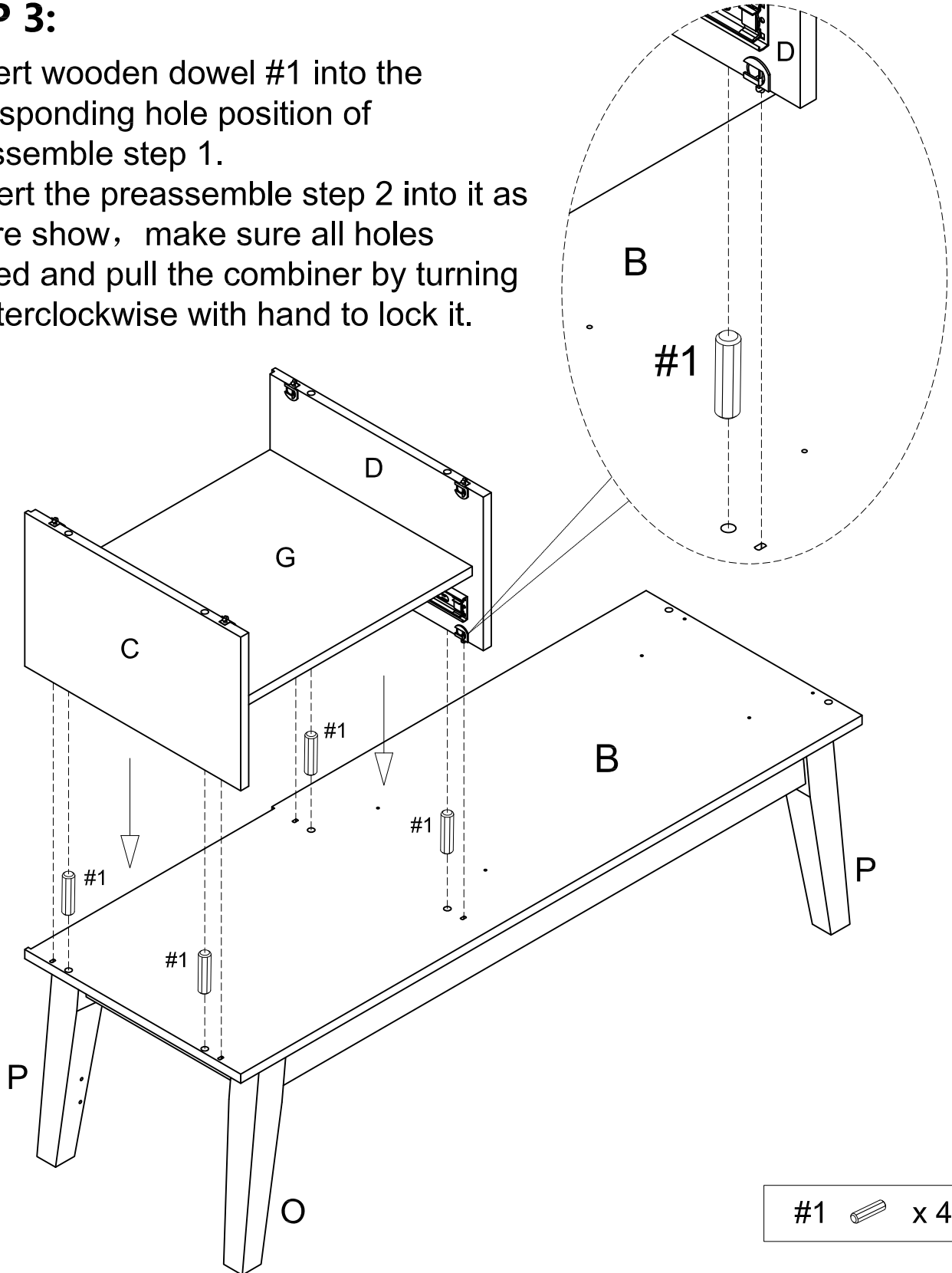


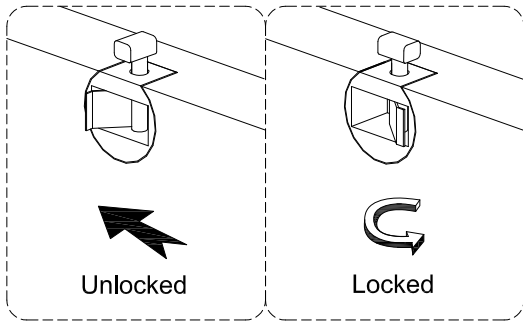
#1  x 4



STEP 3:

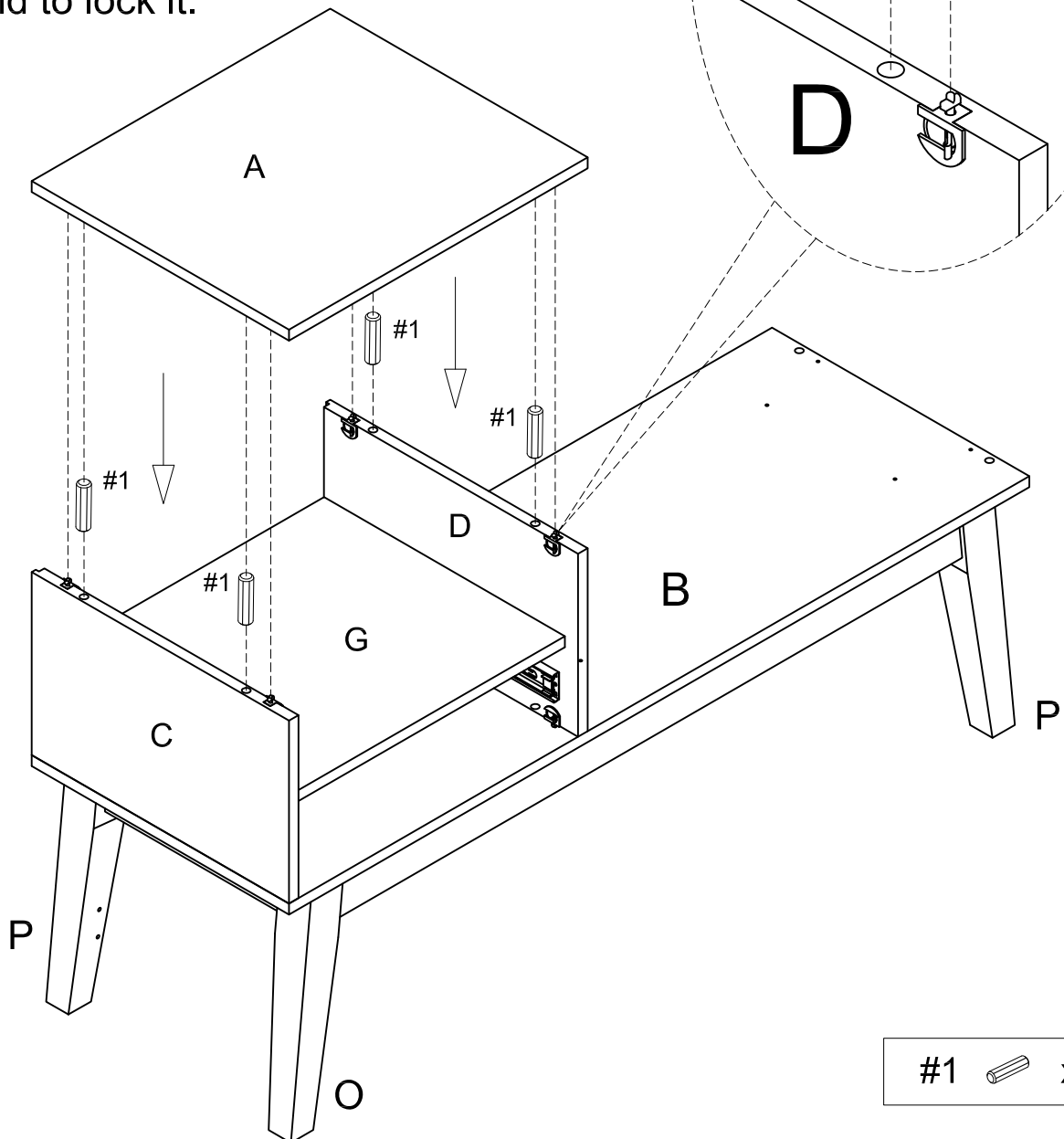
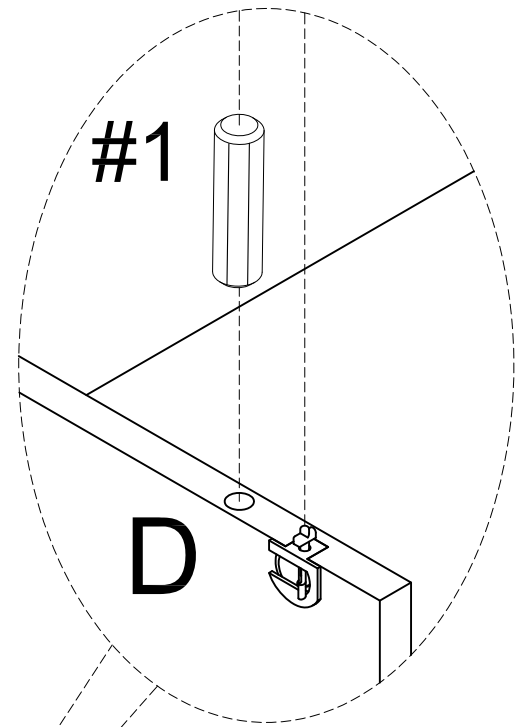
1. Insert wooden dowel #1 into the corresponding hole position of preassemble step 1.
2. Insert the preassemble step 2 into it as picture show, make sure all holes aligned and pull the combiner by turning counterclockwise with hand to lock it.

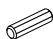




STEP 4:

1. Insert wooden dowel #1 into the corresponding hole position of preassembly step 3 as picture show .
2. Insert top panel A into it as picture show, make sure all holes aligned and pull the combiner by turning counterclockwise with hand to lock it.

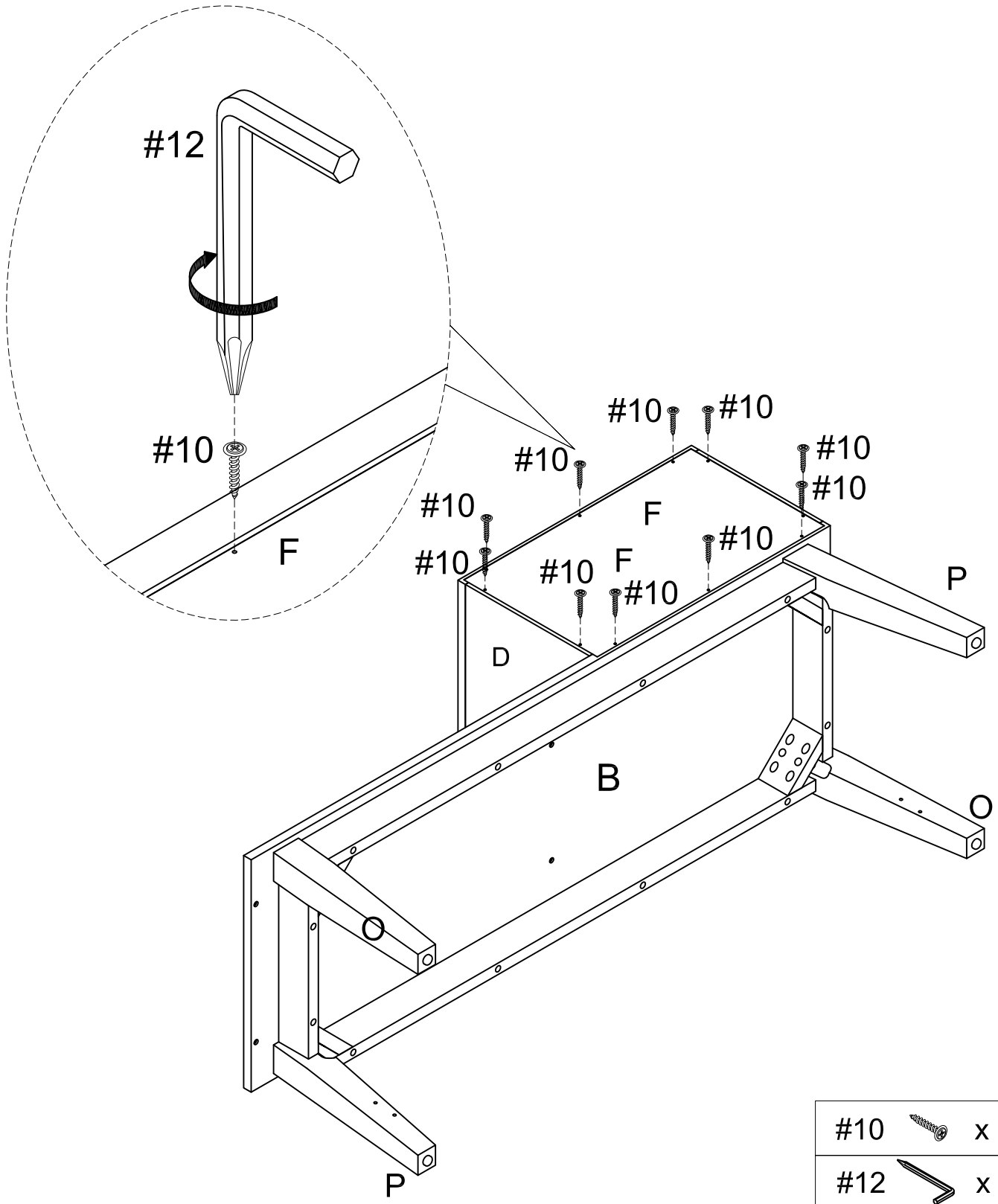


#1  x 4

STEP 5:

Install back panel F

1. Put back panel F into the backboard groove of preassembly step 4.
2. Use allen wrench #12 and round head screw #10 to attach back panel F to the preassembly step 4, make sure all holes aligned and tighten all screws to secure.



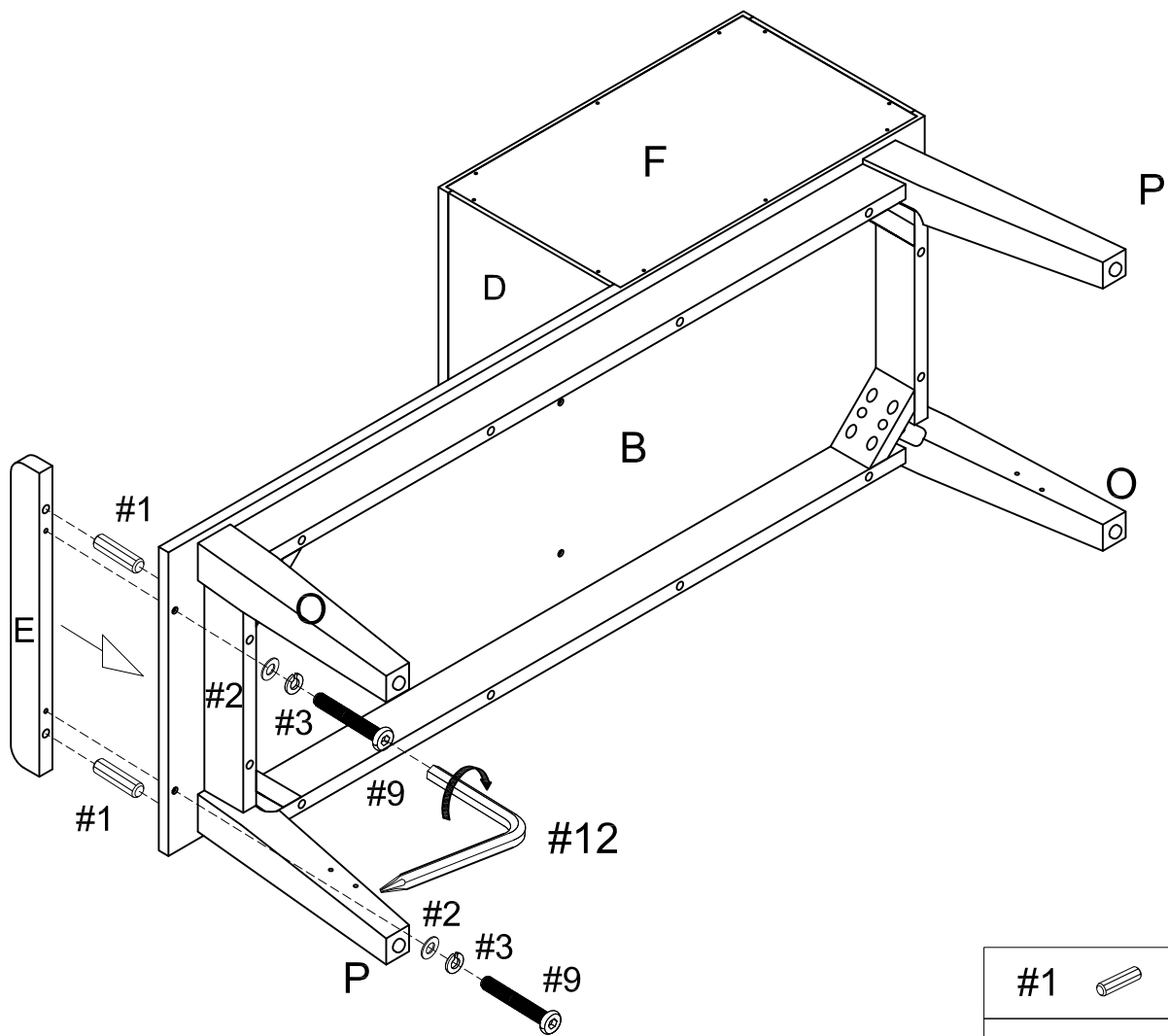
STEP 6:






Install baffle panel E

1. Insert wooden dowel #1 into the corresponding hole position of bottom frame B.

2. Insert baffle panel E into the corresponding hole position of bottom frame B.

3. Use short bolt #9, spring washer #3 and flat washer #2 to attach bottom frame B to baffle panel E, tighten it with allen wrench #12.

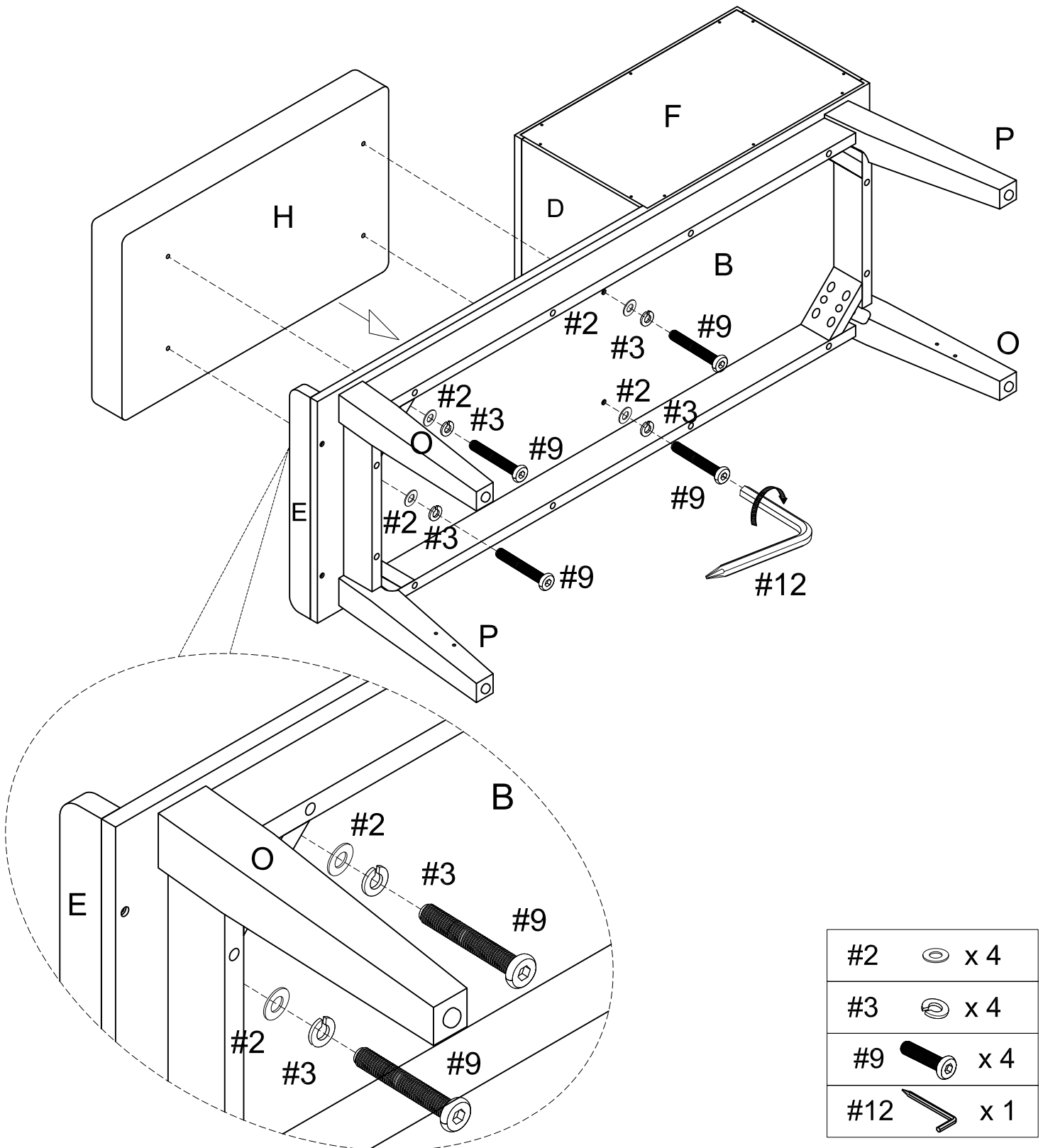


#1		x 2
#2		x 2
#3		x 2
#9		x 2
#12		x 1

STEP 7:

Insert seat cover H

1. Use short bolt #9, spring washer #3 and flat washer #2 to attach bottom frame B to seat cover H, make sure all holes aligned and tighten it with allen wrench #12.

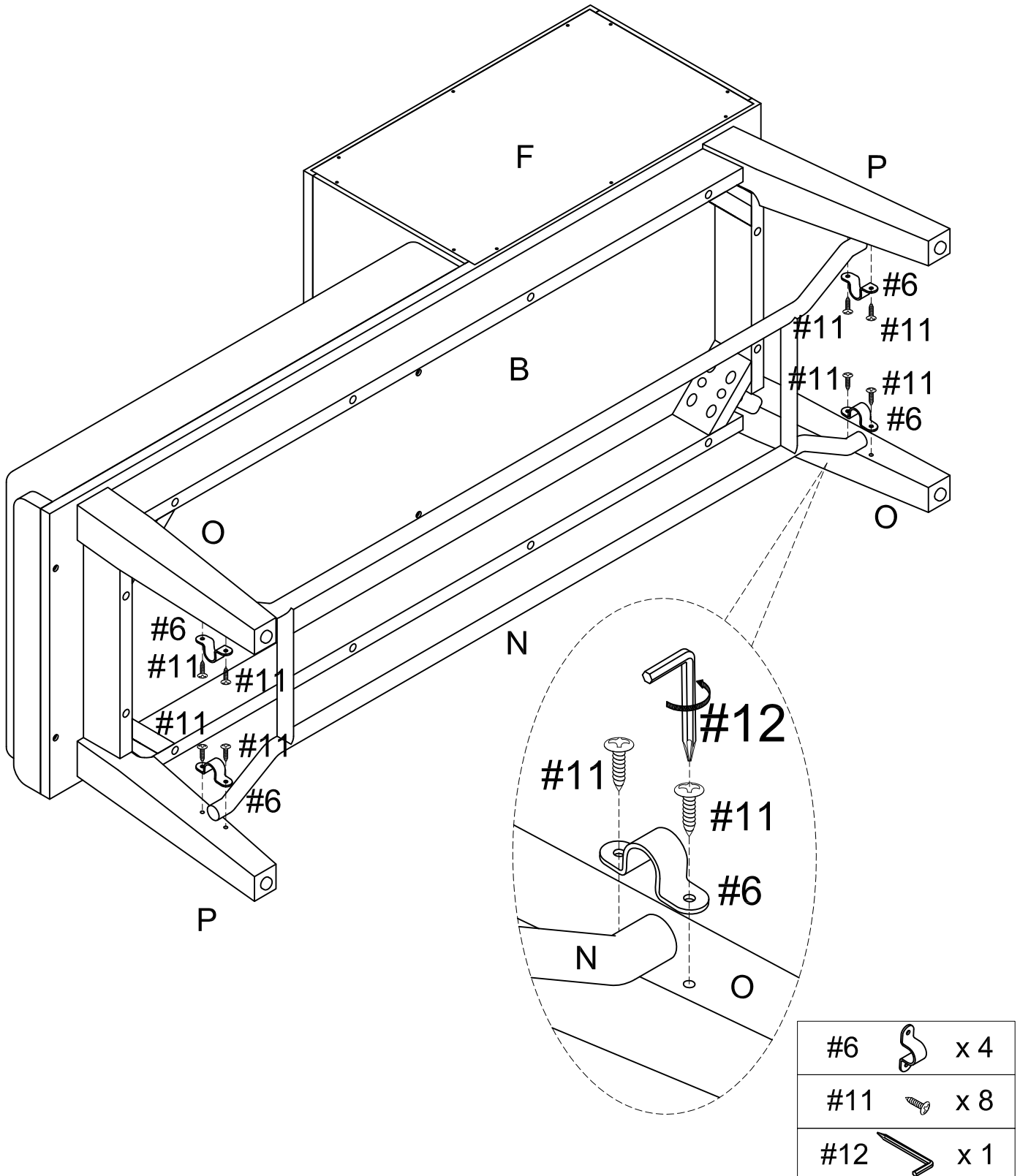


STEP 8:

Insert trestle N

1. Put trestle N into leg O&P as picture show.

2. Use leg lock #6 and round head screw #11 to attach trestle N to leg O&P, make sure all holes aligned and tighten all screws to secure.

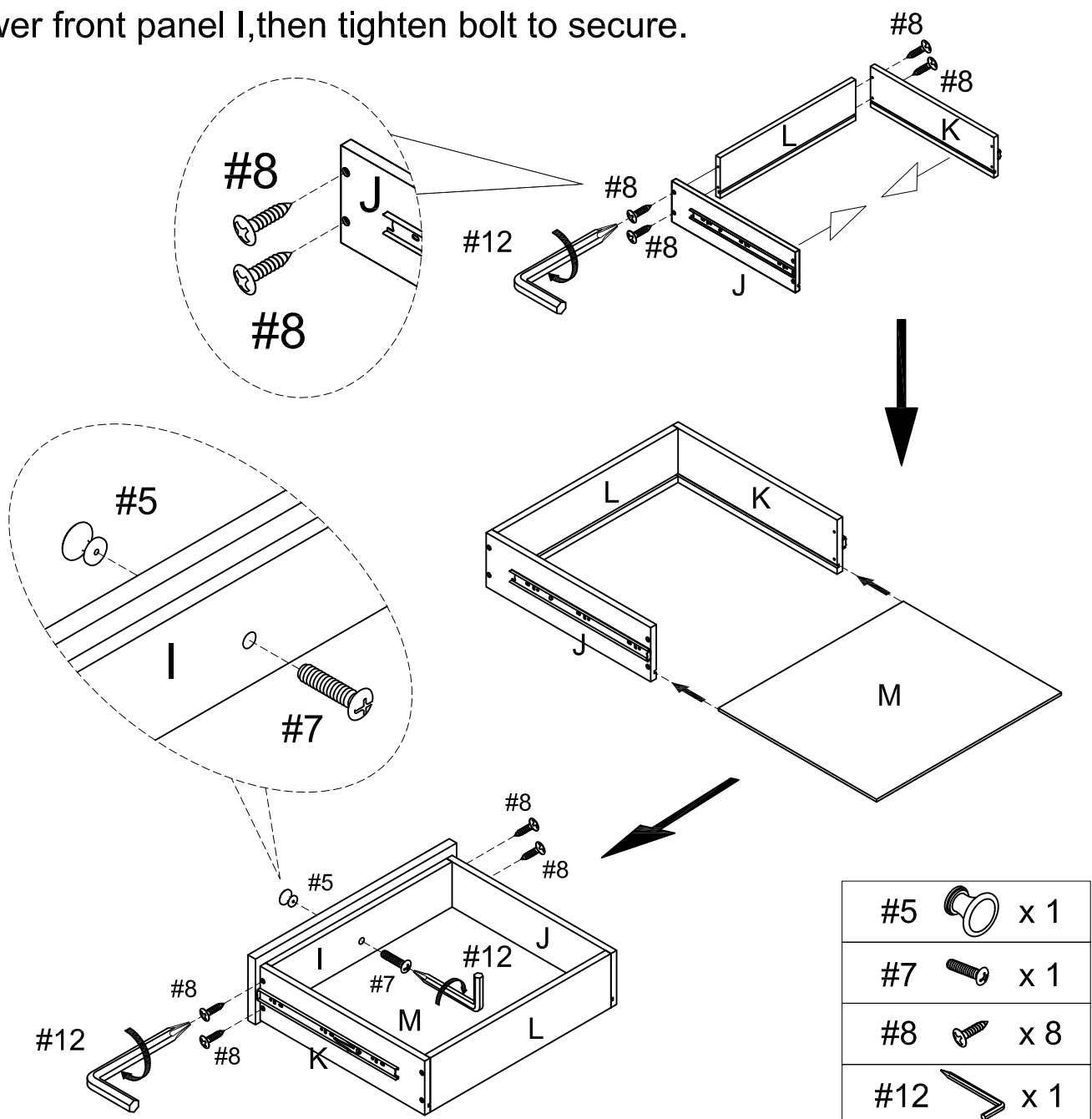


STEP 9:

1. Use allen wrench #12 and flat head screw #8 to attach drawer left panel K & right panel J to drawer back panel L, make sure all holes aligned and tighten all screws to secure.

2. Carefully align and slide drawer bottom panel M into the groove along rear edge of pre-assembled unit L&J&K, then use allen wrench #12 and flat head screw #8 to connect drawer front panel I with the preassemble unit L&J&K, make sure all holes aligned and tighten all screws to secure.

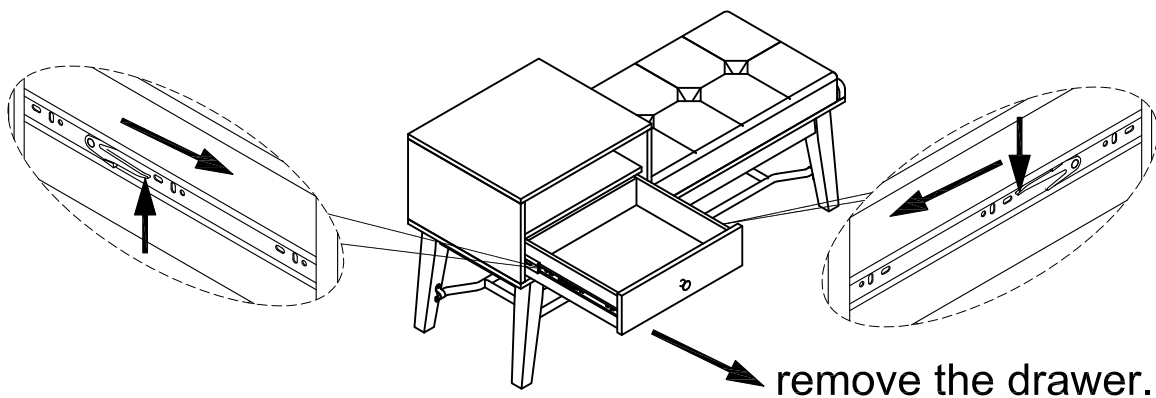
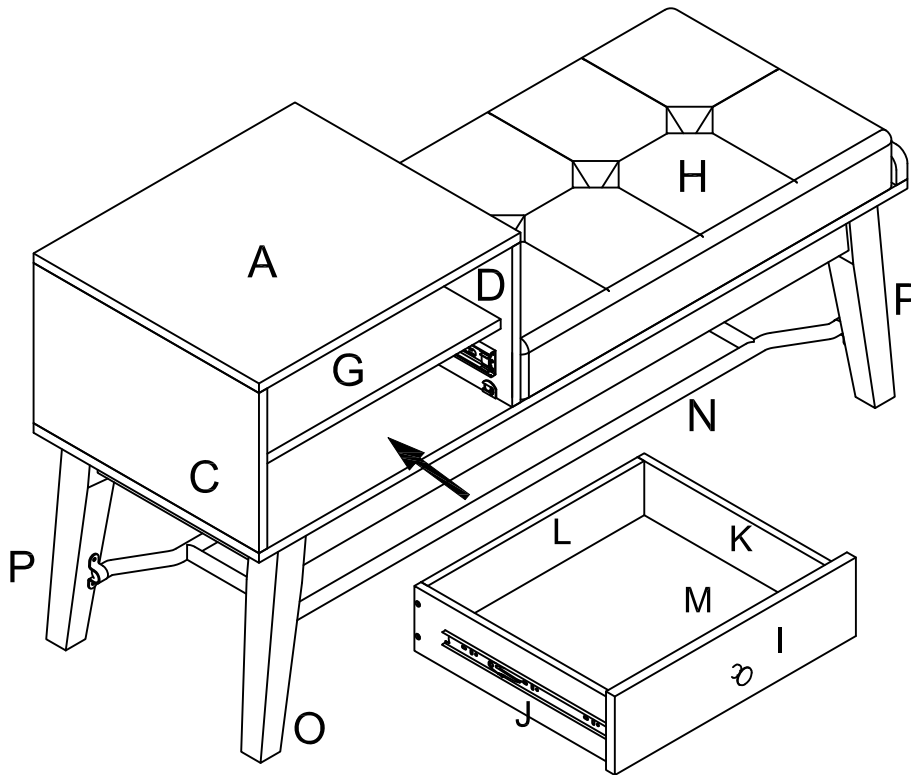
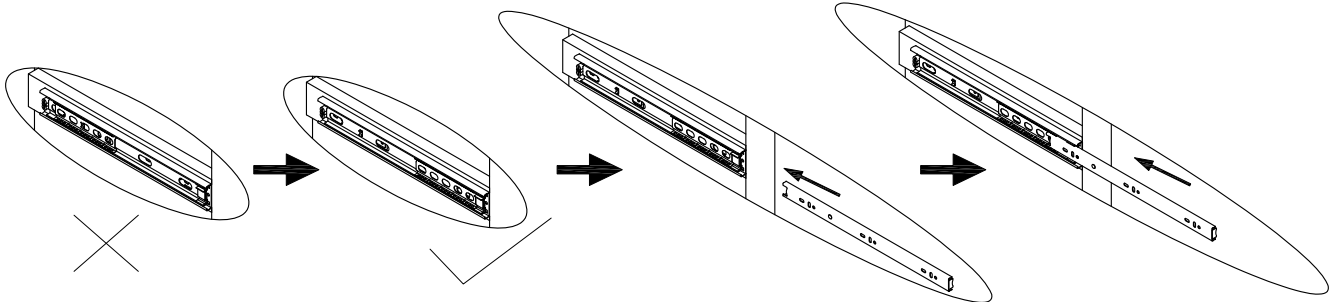
3. Use allen wrench #12 and bolt #7 to attach knob #5 to drawer front panel I, then tighten bolt to secure.



STEP 10:

1. First of all, Slide the female sliding rail of panel C&D to the most front and keep it, then insert the drawer male sliding rail into the female sliding rail as picture show.

2. Pull out the drawer completely, while pressing the plastic snap locks in the left and right side slides of the drawer, keep the snap locks depressed and pull the drawer to remove the drawer.



WARRANTY

We strive to offer high-quality products, and we also try our best to satisfy each and every customer that orders from us with product or service as needed. We provide 30 days warranty starting from the time you receive the item. Each customer must provide a record of their order such as the order number, or item receipt for any items that are out of the warranty period you may also still receive replacement parts by purchasing them with our company if they are available.

**Are you having difficulty
with assembly? Missing parts?
Please send email with your order No**

customerservice@hulalahome.com

**For return, please check the return policy with
the retailer or market place you bought from.**

**Appreciate your purchasing from us.
Pop up your life by our furniture piece!**