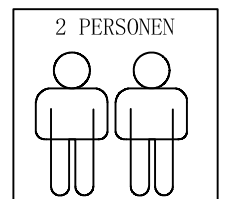


ITEM NO. CEJY0603



NOTE:

This brochure contains **IMPORTANT** safety info. Please read and keep for future reference.

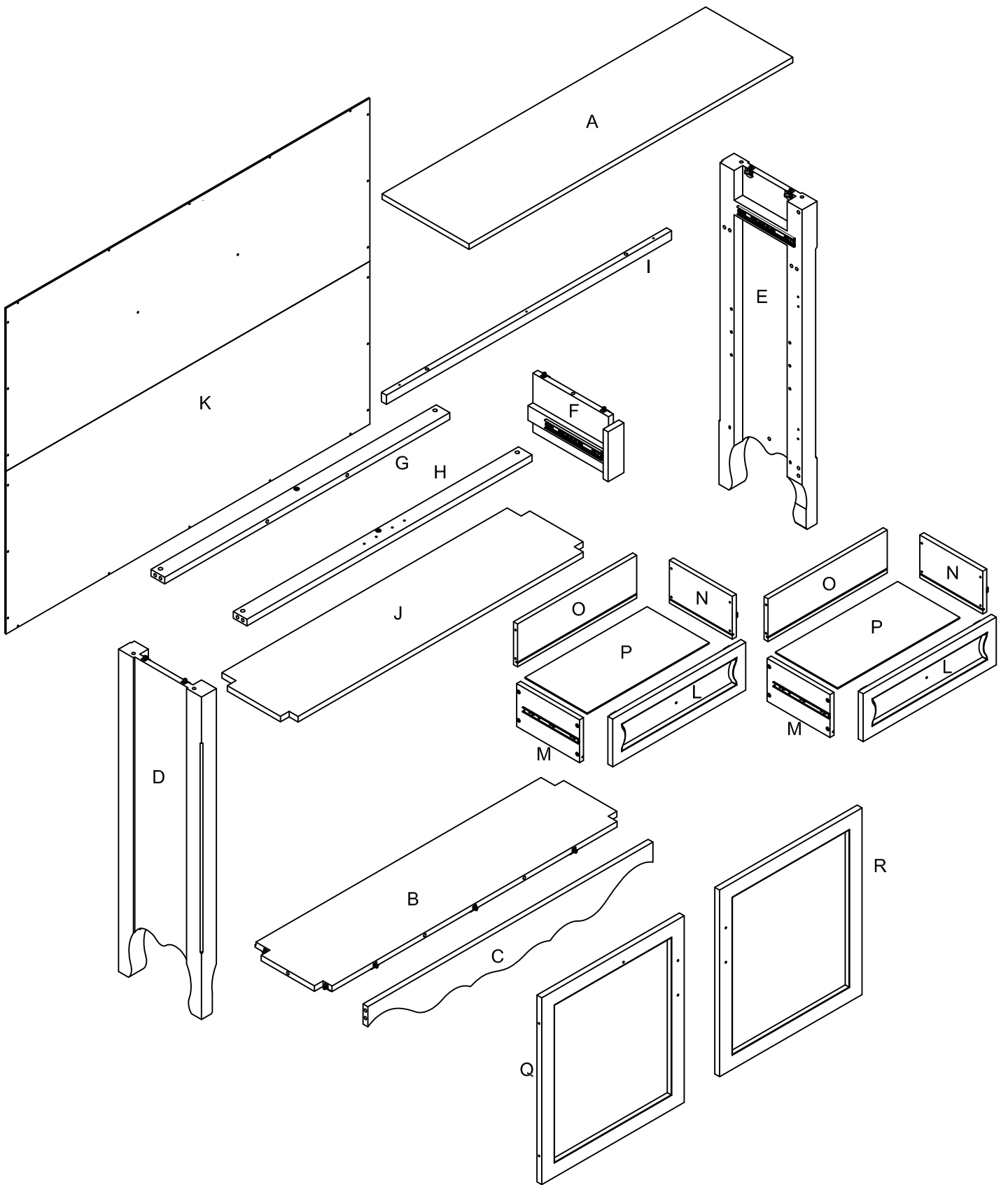
MAINTAINANCE AND WARNING

- Keep furniture away from heat.
- Do not clean furniture with harsh cleansers or polish. Do not use detergents, Solvents, abrasives, spray packs or leather cleaner. Use non-color mild soap with warm water clean spills(Mix 1:10 soap to water)
- Do not place furniture under direct sunlight, material will possibly fade over time.
- Do not use on site dry Cleaning machine.
- Children should not climb or jump on the furniture.
- Do not write on furniture without a padded barrier to protect the surface.
- Not for commercial use, For residential use only.



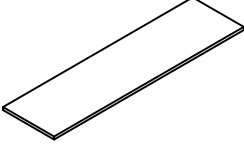
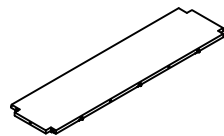
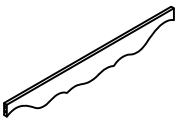


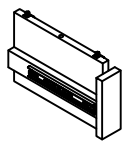
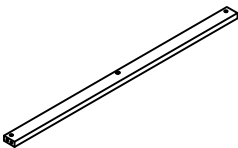
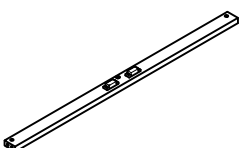
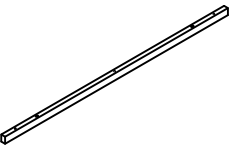
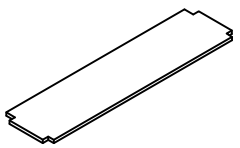
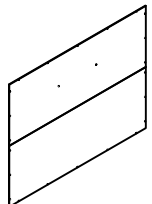
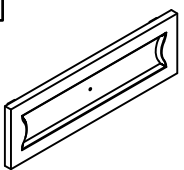
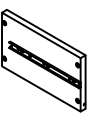
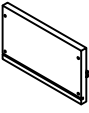
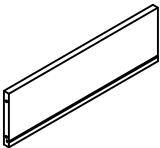
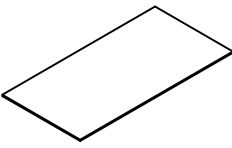
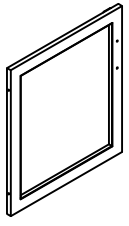
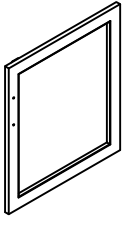
Weight Limitation

100LBS

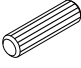
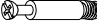

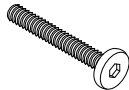



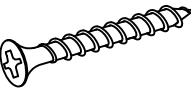

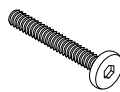
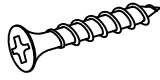
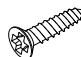

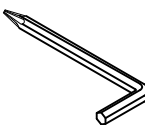

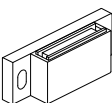





Explosive View

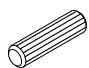
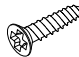
PARTS LIST

<p>A</p> 	<p>B</p> 	<p>C</p> 	<p>D</p> 	<p>E</p> 
<p>Top Panel 1 PC</p>	<p>Bottom Panel 1 PC</p>	<p>Bottom Rail 1 PC</p>	<p>Left Side Panel 1 PC</p>	<p>Right Side Panel 1 PC</p>
<p>F</p> 	<p>G</p> 	<p>H</p> 	<p>I</p> 	<p>J</p> 
<p>Middle Cross Rail 1 PC</p>	<p>Back Cross Rail 1 PC</p>	<p>Front Cross Rail 1 PC</p>	<p>TOP Cross Rail 1 PC</p>	<p>Adjustable Shelf 1 PC</p>
<p>K</p> 	<p>L</p> 	<p>M</p> 	<p>N</p> 	<p>O</p> 
<p>Back Panel 1 PC</p>	<p>Drawer Front Panel 2 PCS</p>	<p>Drawer Left Panel 2 PCS</p>	<p>Drawer Right Panel 2 PCS</p>	<p>Drawer Back Panel 2 PCS</p>
<p>P</p> 	<p>Q</p> 	<p>R</p> 		
<p>Drawer Bottom Panel 2 PCS</p>	<p>Left Door Panel 1 PC</p>	<p>Right Door Panel 1 PC</p>		

HARDWARE LIST

<p>#1</p>  <p>Ø8*30mm</p>	<p>#2</p> 	<p>#3</p> 	<p>#4</p>  <p>Ø1/4"*1-1/4"*D11mm</p>	<p>#5</p>  <p>6mm*Ø3*15mm</p>
<p>Wood Dowel 19 PCS</p>	<p>Cam Bolt 4 PCS</p>	<p>Cam Lock 4 PCS</p>	<p>Bolt 2 PCS</p>	<p>Small Round Head Screw 23 PCS</p>
<p>#6</p> 	<p>#7</p>  <p>Ø5/32"*3/8"</p>	<p>#8</p>  <p>Ø8*30mm</p>	<p>#9</p> 	<p>#10</p>  <p>Ø5/32"*7/8"</p>
<p>Knob 2 PCS</p>	<p>Bolt 2 PCS</p>	<p>Flat Head Screw 16 PCS</p>	<p>Handle 2 PCS</p>	<p>Bolt 4 PCS</p>
<p>#11</p>  <p>Ø8*25mm</p>	<p>#12</p>  <p>Ø5*3*12mm</p>	<p>#13</p> 	<p>#14</p> 	<p>#15</p> 
<p>Flat Head Screw 3 PCS</p>	<p>Flat Head Screw 22 PCS</p>	<p>Hinge 4 PCS</p>	<p>Allen Wrench 1 PC</p>	<p>Shelf Holder 4 PCS</p>
<p>#16</p> 	<p>#17</p>  <p>Ø6*3*16mm</p>	<p>#18</p> 	<p>#19</p> 	
<p>Magnet 2 PCs</p>	<p>Round Head Screw 4 PCS</p>	<p>Magnet 2 PCs</p>	<p>Safety Strap Kit 1 SET</p>	

SPARE

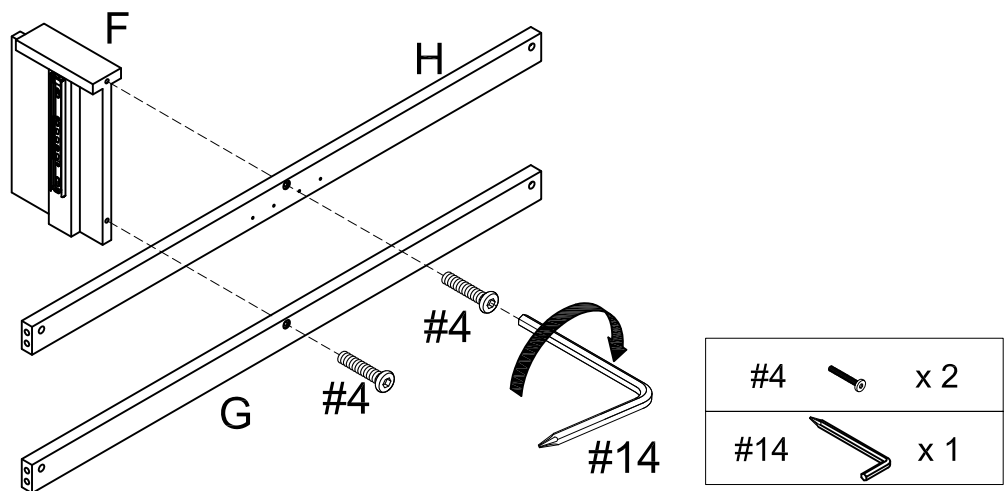
<p>#1</p>  <p>Ø8*30mm</p>	<p>#5</p>  <p>6mm*Ø3*15mm</p>	<p>#12</p>  <p>Ø5*3*12mm</p>
<p>Wood Dowel 1 PC</p>	<p>Small Round Head Screw 1 PC</p>	<p>Flat Head Screw 1 PC</p>

Be sure to check all packing material carefully for small parts, which may have come loose inside the carton during shipment.

ASSEMBLY INSTRUCTIONS

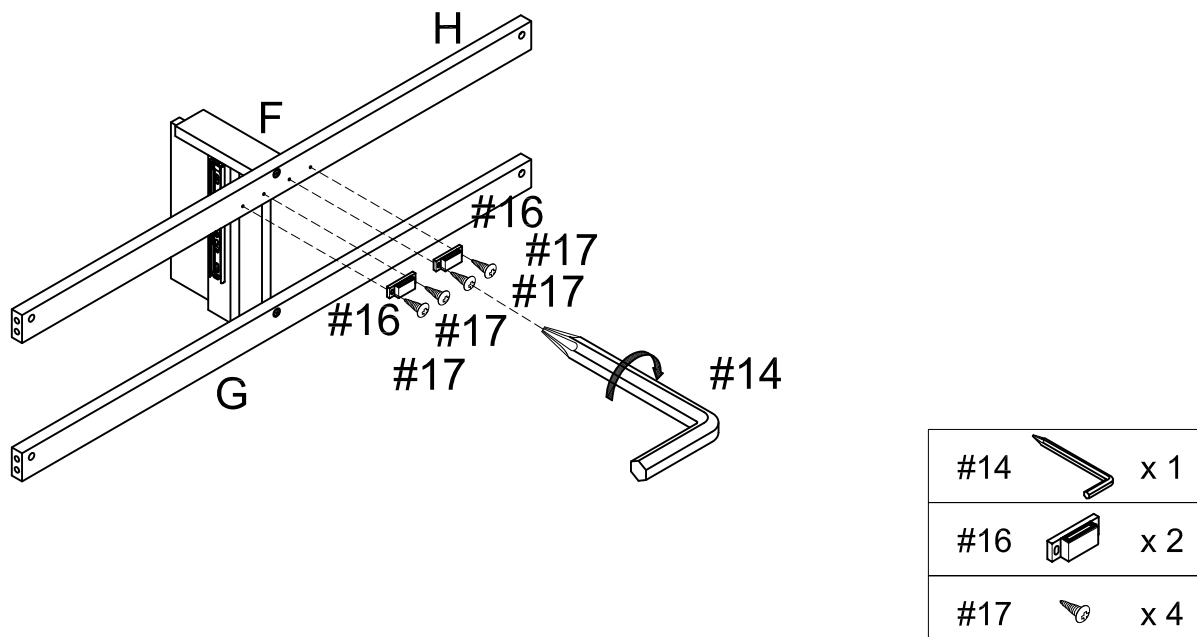
STEP 1:

1. Use allen wrench #14 and bolt #4 to attach back cross rail H and front cross rail G to middle cross rail F, make sure all holes aligned and tighten all bolts to secure.



STEP 2:

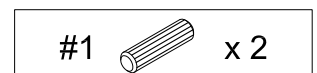
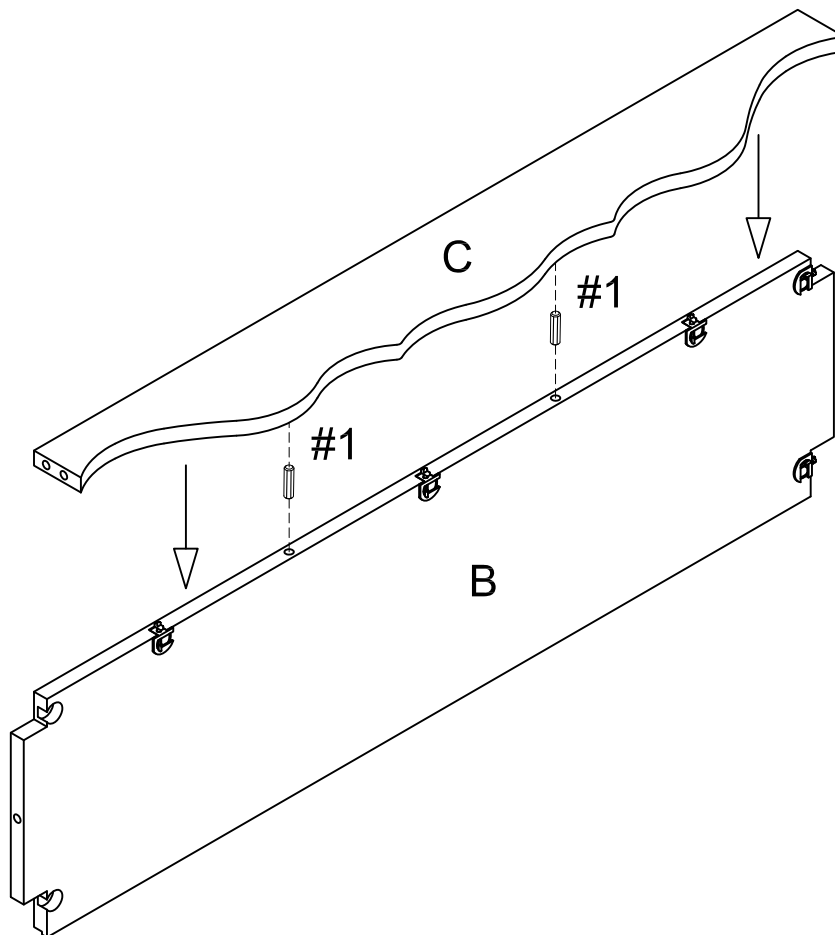
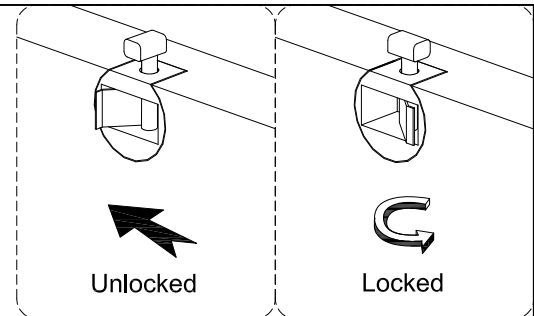
2. Use allen wrench #14 and round head screw #17 to attach magnet #16 to back cross rail H, make sure all holes aligned and tighten all screws to secure.



ASSEMBLY INSTRUCTIONS

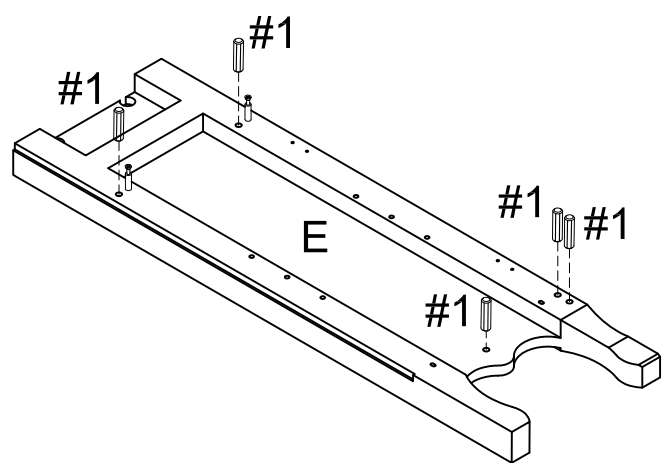
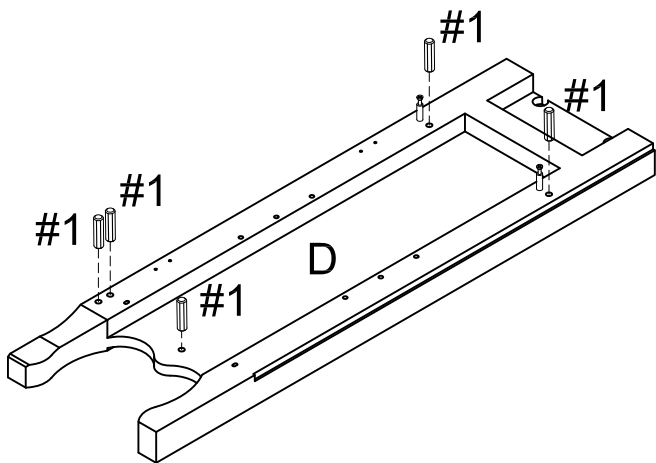
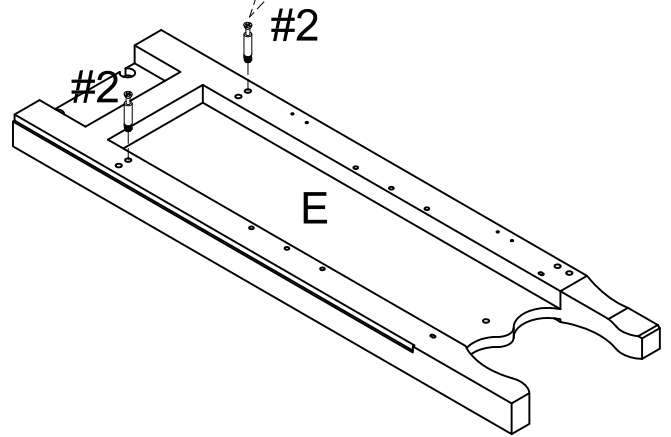
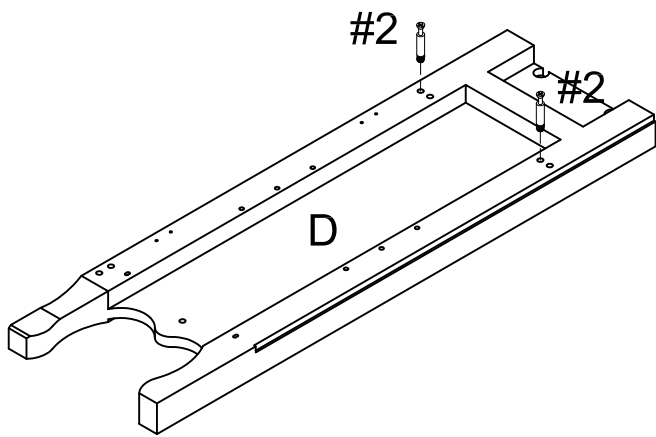
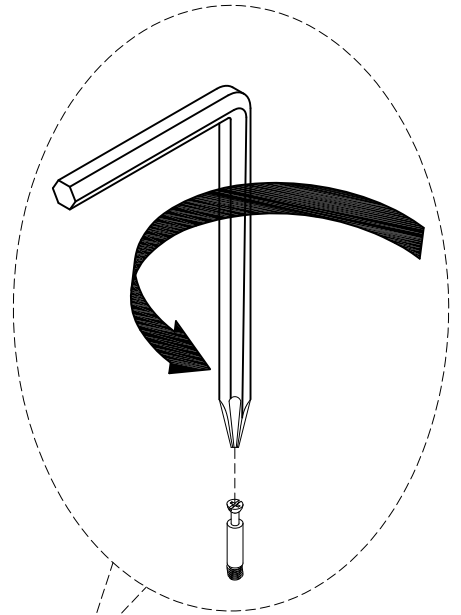
STEP 3:




1. Insert wooden dowel #1 into the corresponding hole position of bottom panel B.
2. Insert bottom rail C into bottom panel B, make sure all holes aligned and pull the combiner by turning counterclockwise with hand to lock it.



STEP 4:

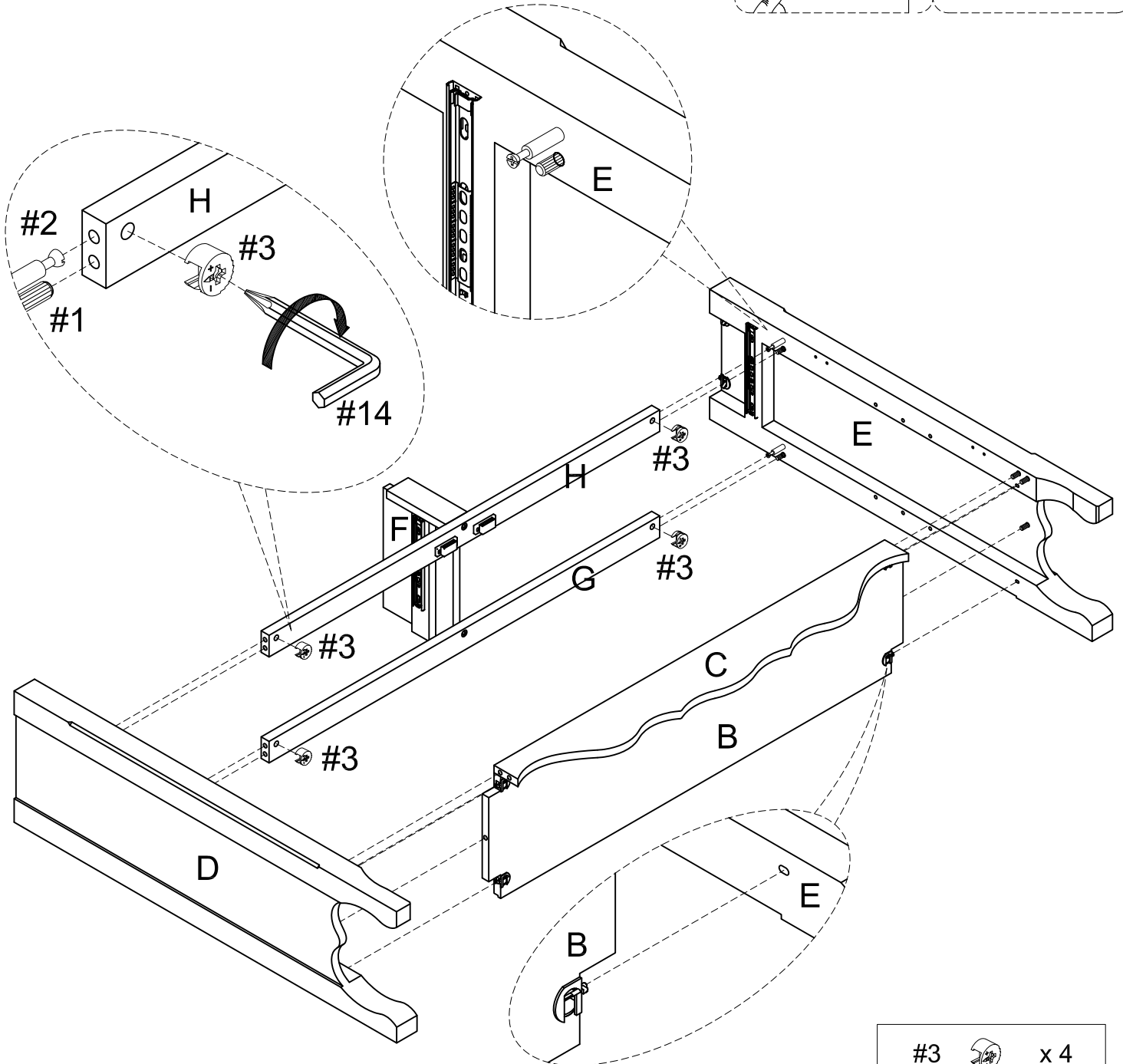
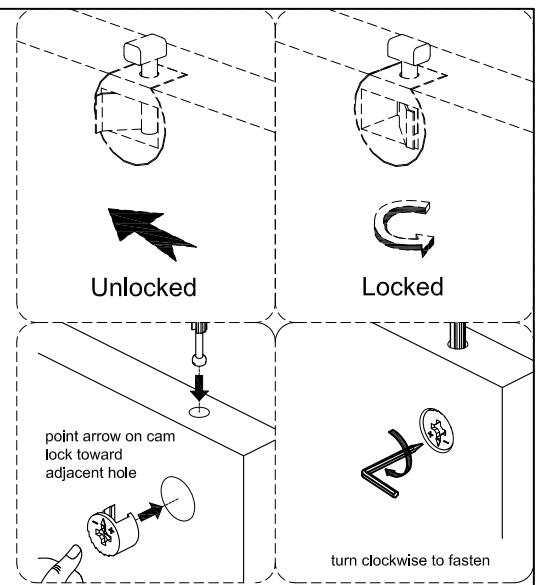
1. Insert cam bolt #2 into the corresponding hole position of sidepanel D&E , then use allen wrench #14 to tighten it to secure.
2. Insert wooden dowel #1 into the corresponding hole position of side panel D&E .





#1		x 10
#2		x 4
#14		x 1

STEP 5:

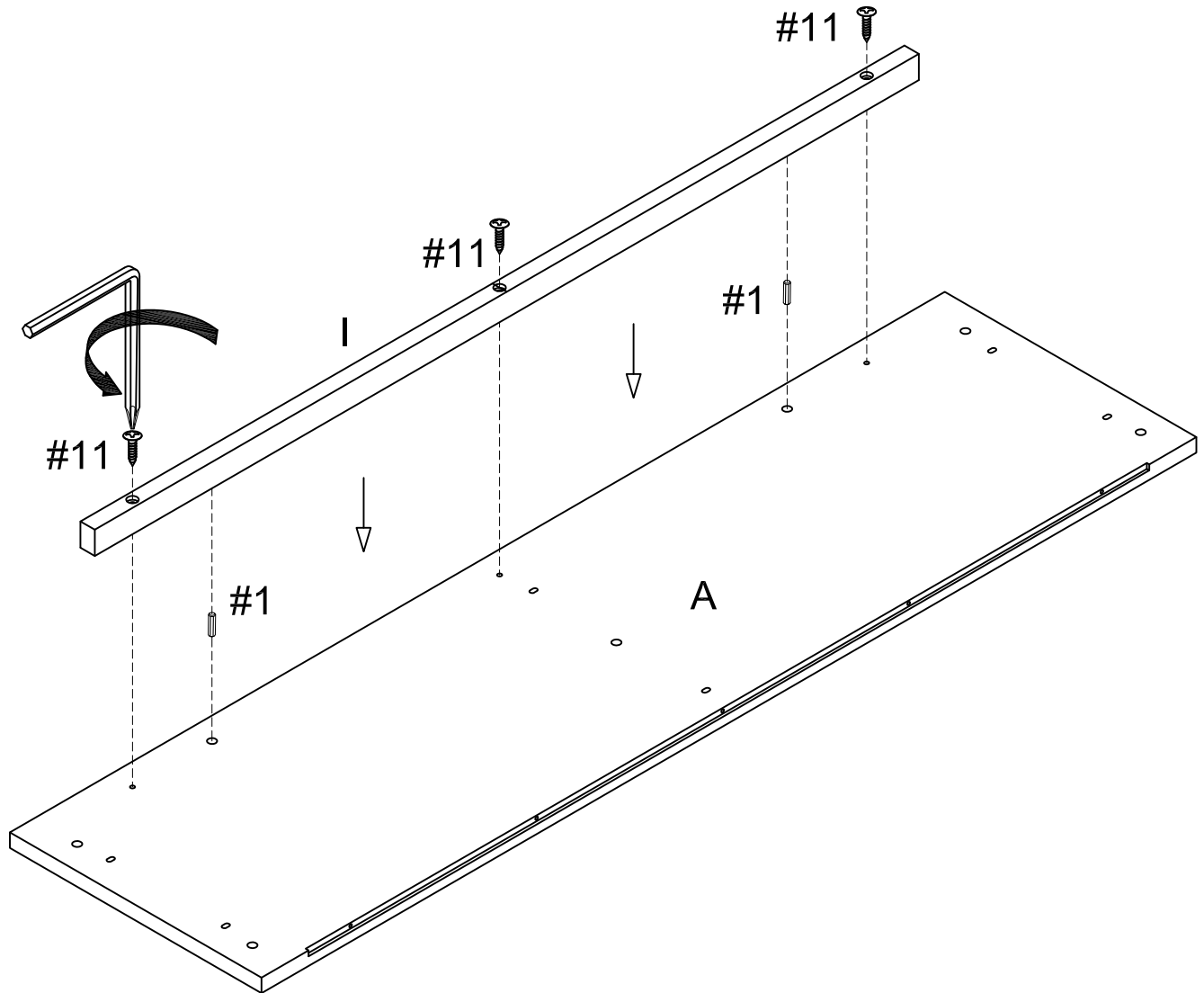
1. Insert side panel D&E into preassemble unit F&H&G and preassemble unit B&C, make sure all holes aligned.
2. Use cam lock #3 to tighten it with allen wrench #14.
3. Pull the combiner by turning counterclockwise with hand to lock it.






#3		x 4
#14		x 1

STEP 6:

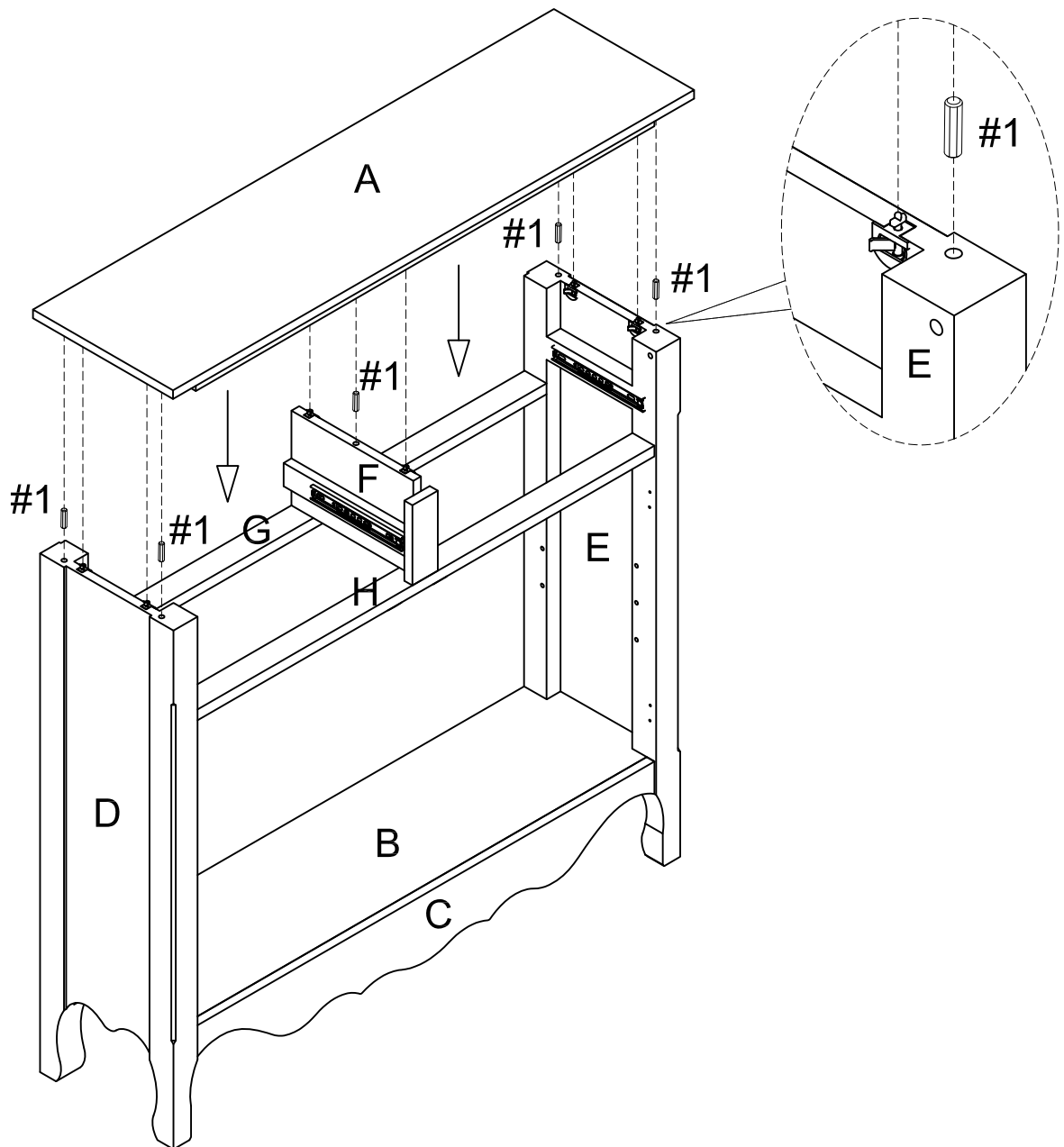
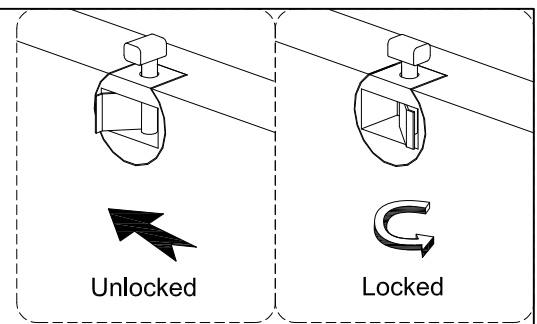
1. Insert wooden dowel #1 into top panel A, then use allen wrench #14 and flat head screw #11 to attach back cross rail I to top panel A, make sure all holes aligned and tighten all screws to secure.




#1		x 2
#11		x 3
#14		x 1

STEP 7:

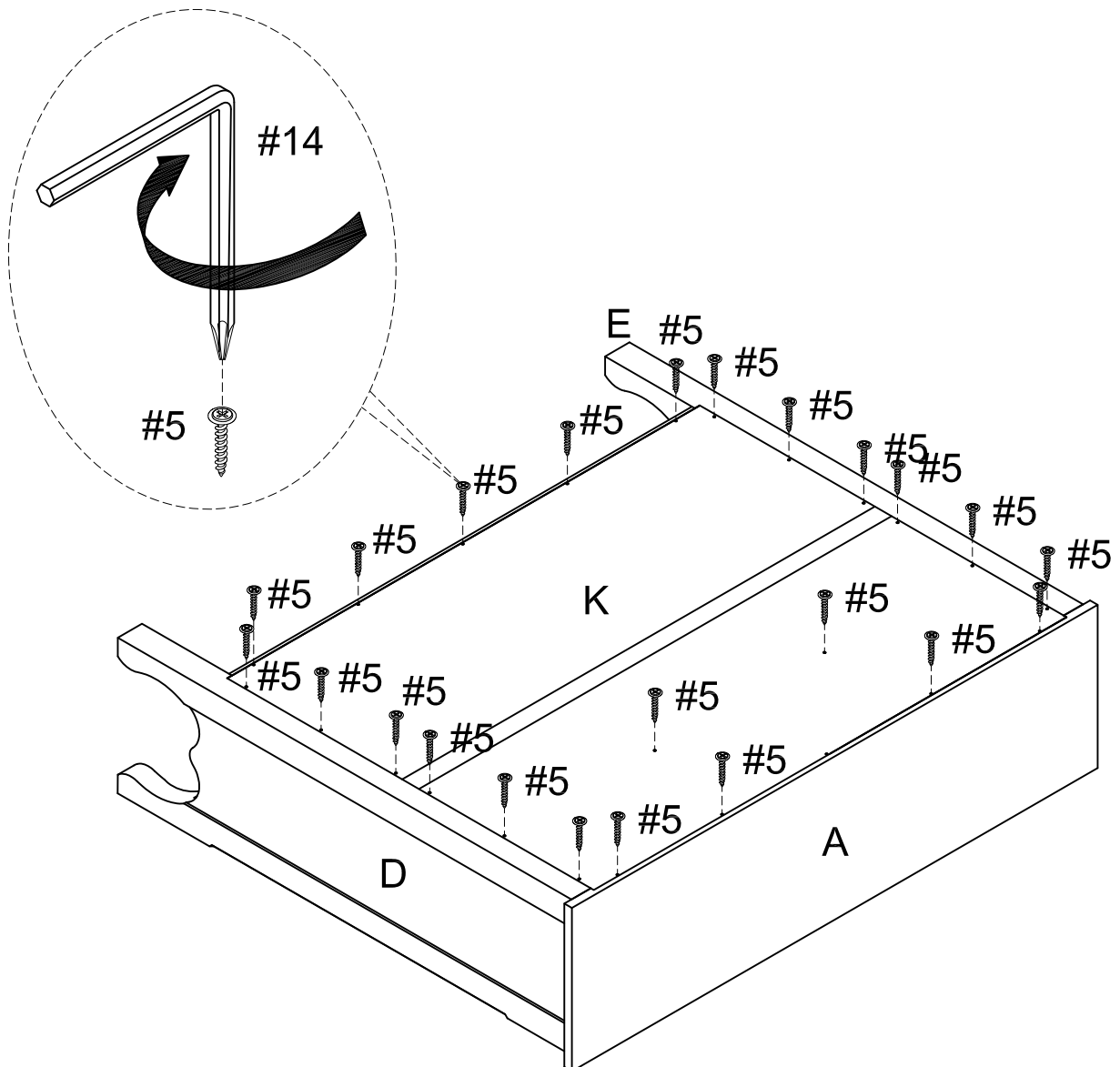
1. Insert wooden dowel #1 into the corresponding hole position of preassemble step 5 and side panel D&E, then insert top panel A into it as picture show, make sure all holes aligned
2. Pull the combiner by turning counterclockwise with hand to lock it.





#1  x 5

STEP 8:

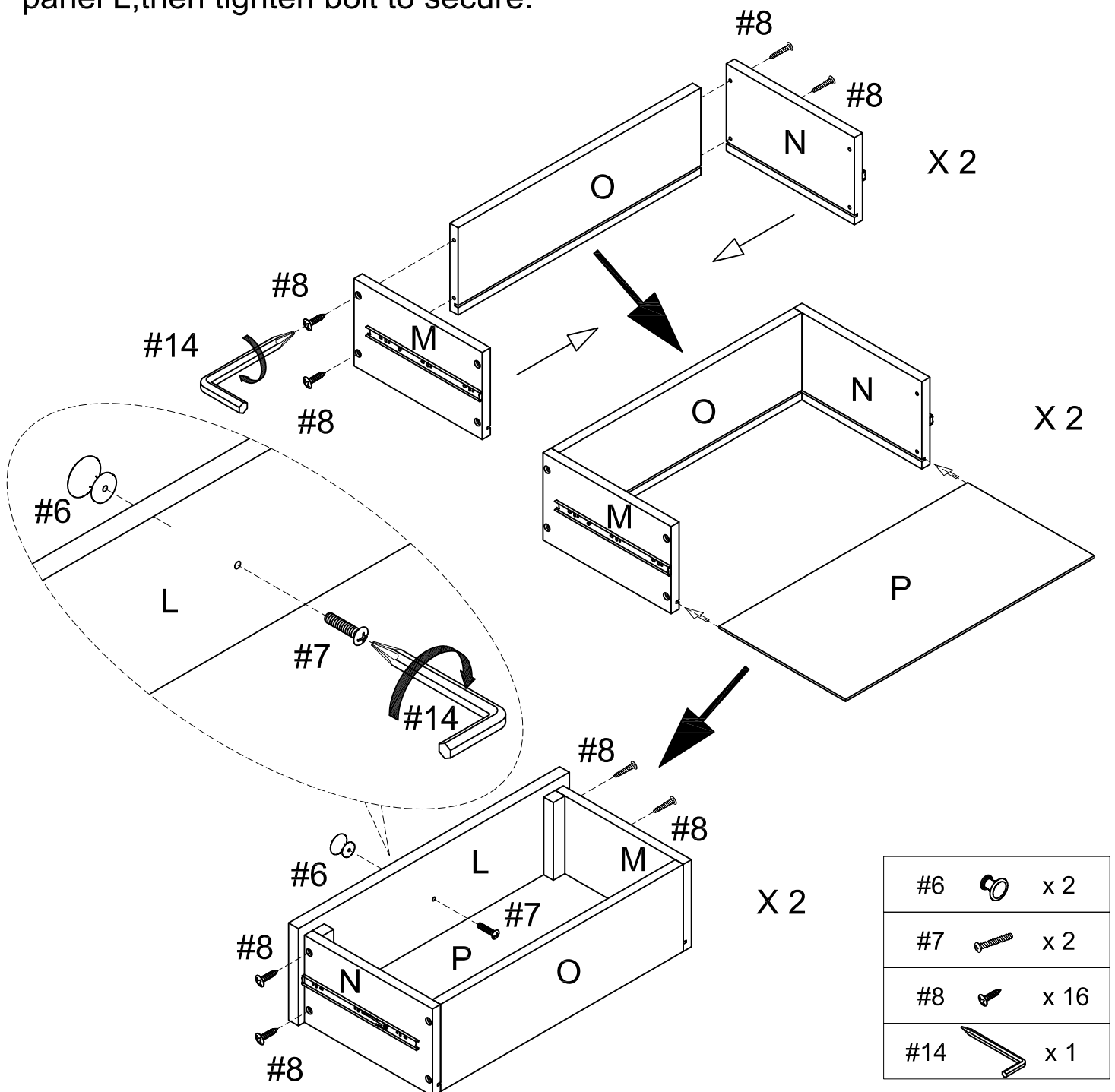
1. Unfold back panel K, The tape surface is facing up.
2. Put back panel K into the groove of preassemble step 7.
3. Use allen wrench #14 and small round head screw #5 to attach back panel K to preassemble step 6, make sure all holes aligned and tighten all screws to secure.



#5		x 23
#14		x 1

STEP 9:

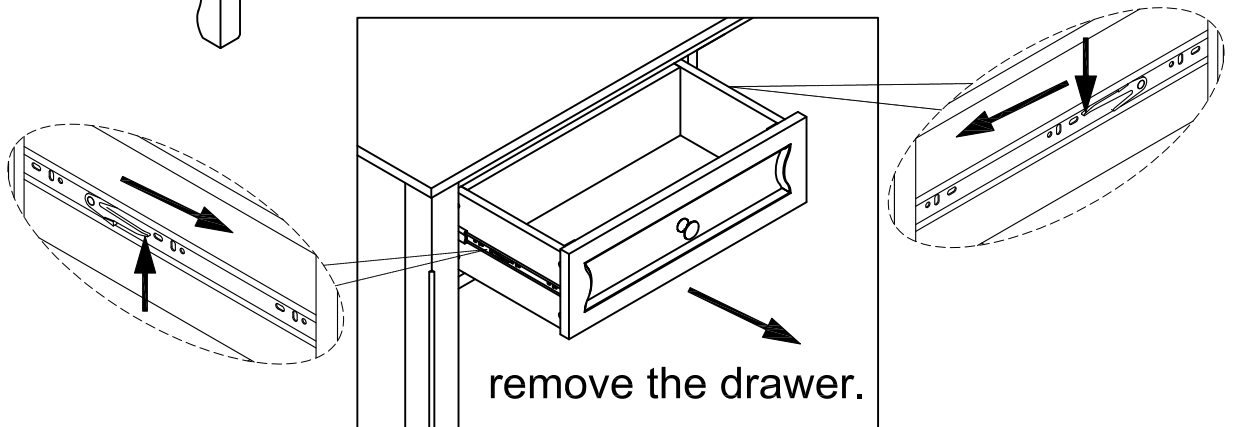
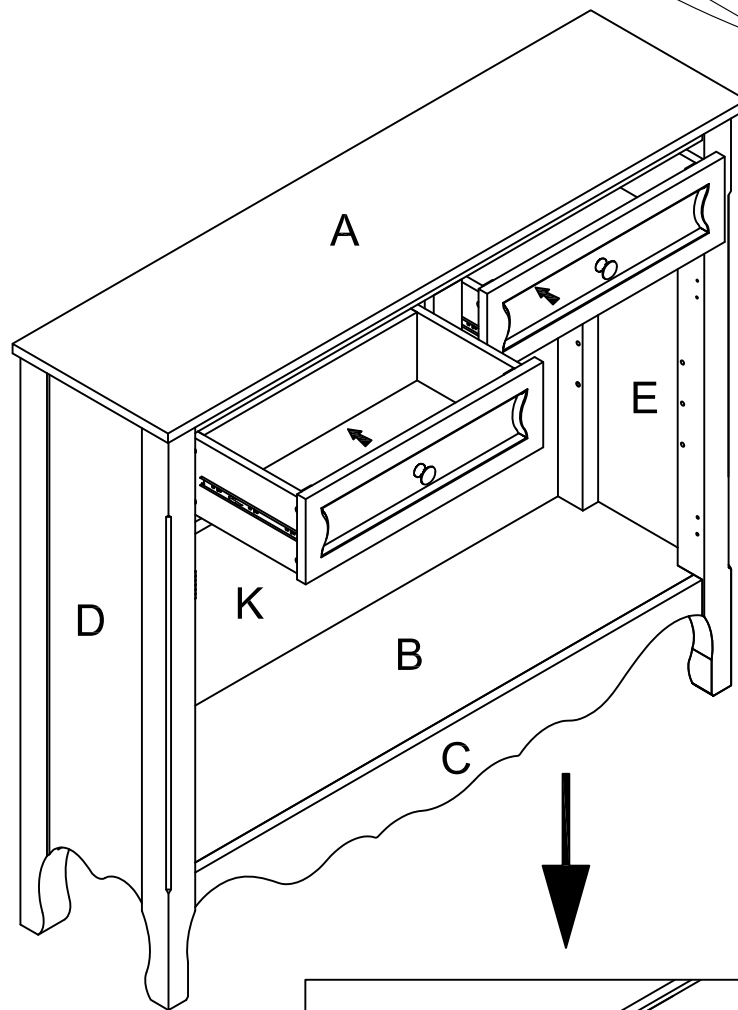
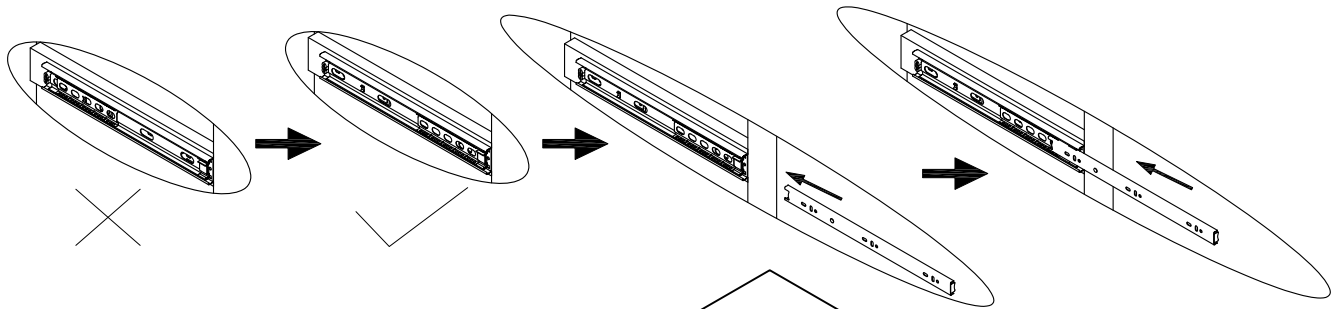
1. Use allen wrench #14 and flat head screw #8 to attach drawer left panel M & right panel N to drawer back panel O, make sure all holes aligned and tighten all screws to secure.
2. Carefully align and slide drawer bottom panel P into the groove along rear edge of pre-assembled unit O&M&N, then use allen wrench #14 and flat head screw #8 to connect drawer front panel L with the preassemble unit O&M&N, make sure all holes aligned and tighten all screws to secure.
3. Use allen wrench #14 and bolt #7 to attach knob #6 to drawer front panel L, then tighten bolt to secure.



STEP 10:

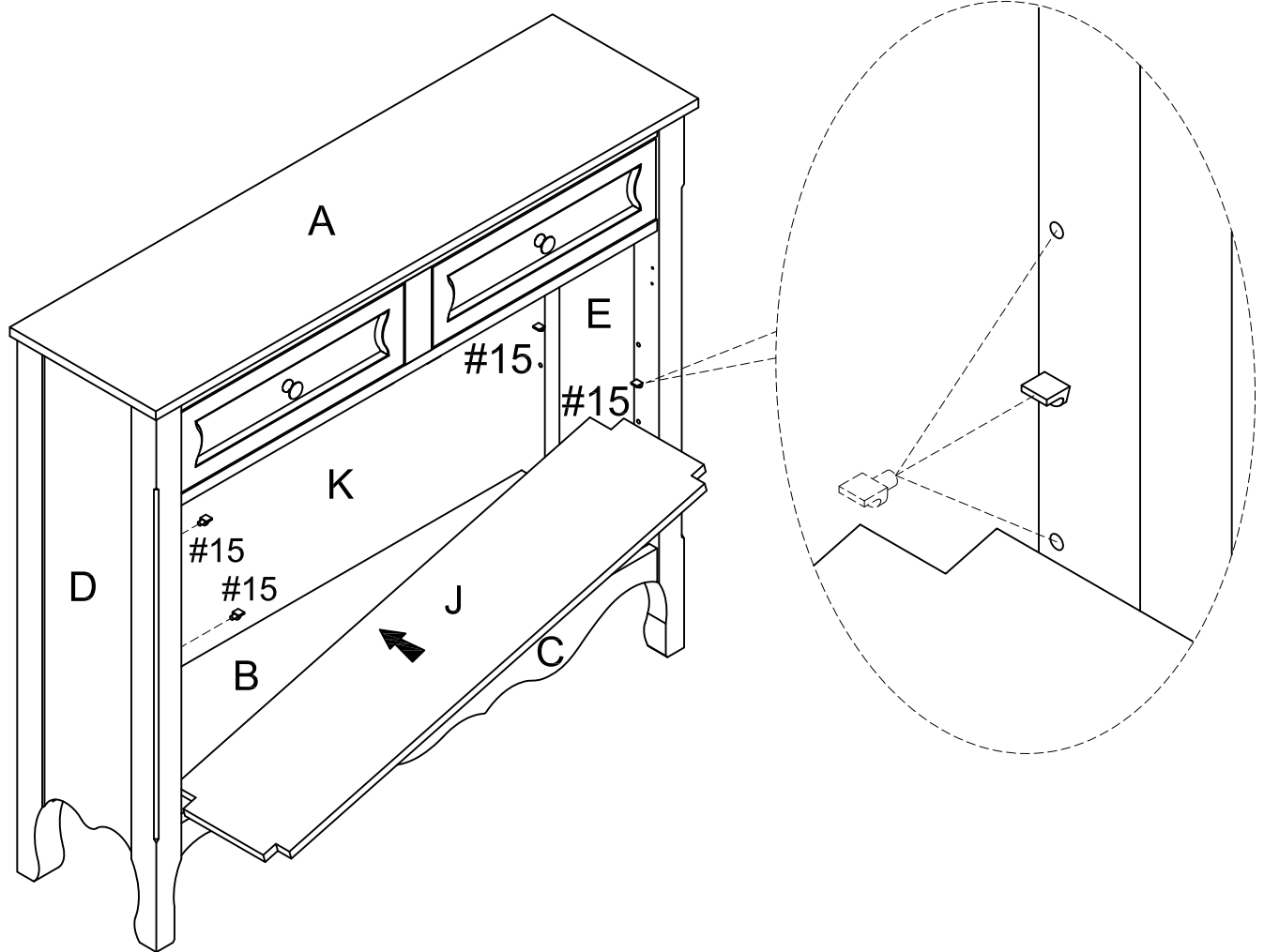
1. First of all, slide the female sliding rail of panel D&E to the most front and keep it, then insert the drawer male sliding rail into the female sliding rail as picture show .

2. Pull out the drawer completely, while pressing the plastic snap locks in the left and right side slides of the drawer, keep the snap locks depressed and pull the drawer to remove the drawer.



STEP 11:

1. Insert shelf holder #15 into side panel D&E
2. Put adjustable shelf J on shelf holder #15



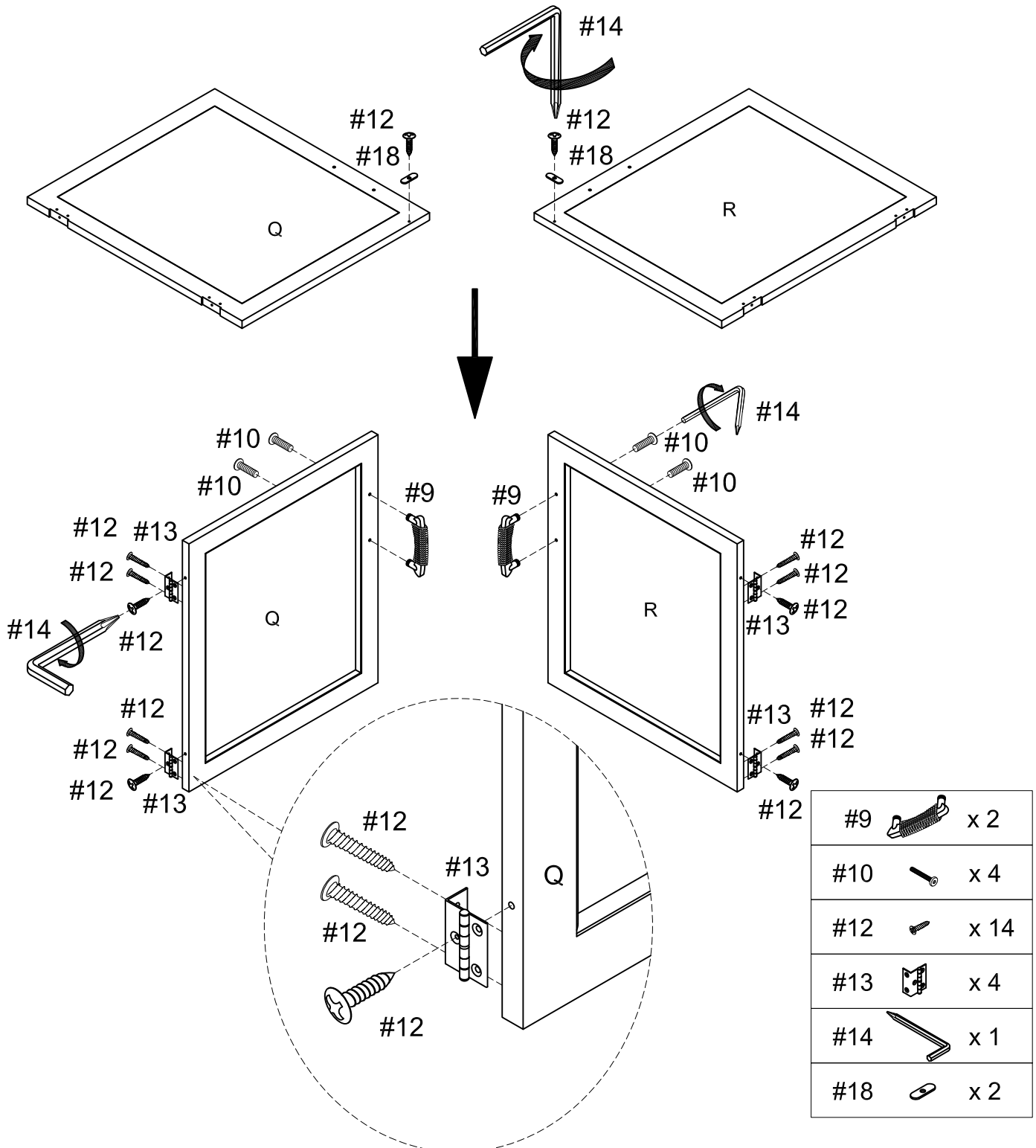
#15  x 4

STEP 12:

1. Use allen wrench #14 and flat head screw #12 to attach magnet #18 to door panel Q&R, make sure all holes aligned and tighten all screws to secure.

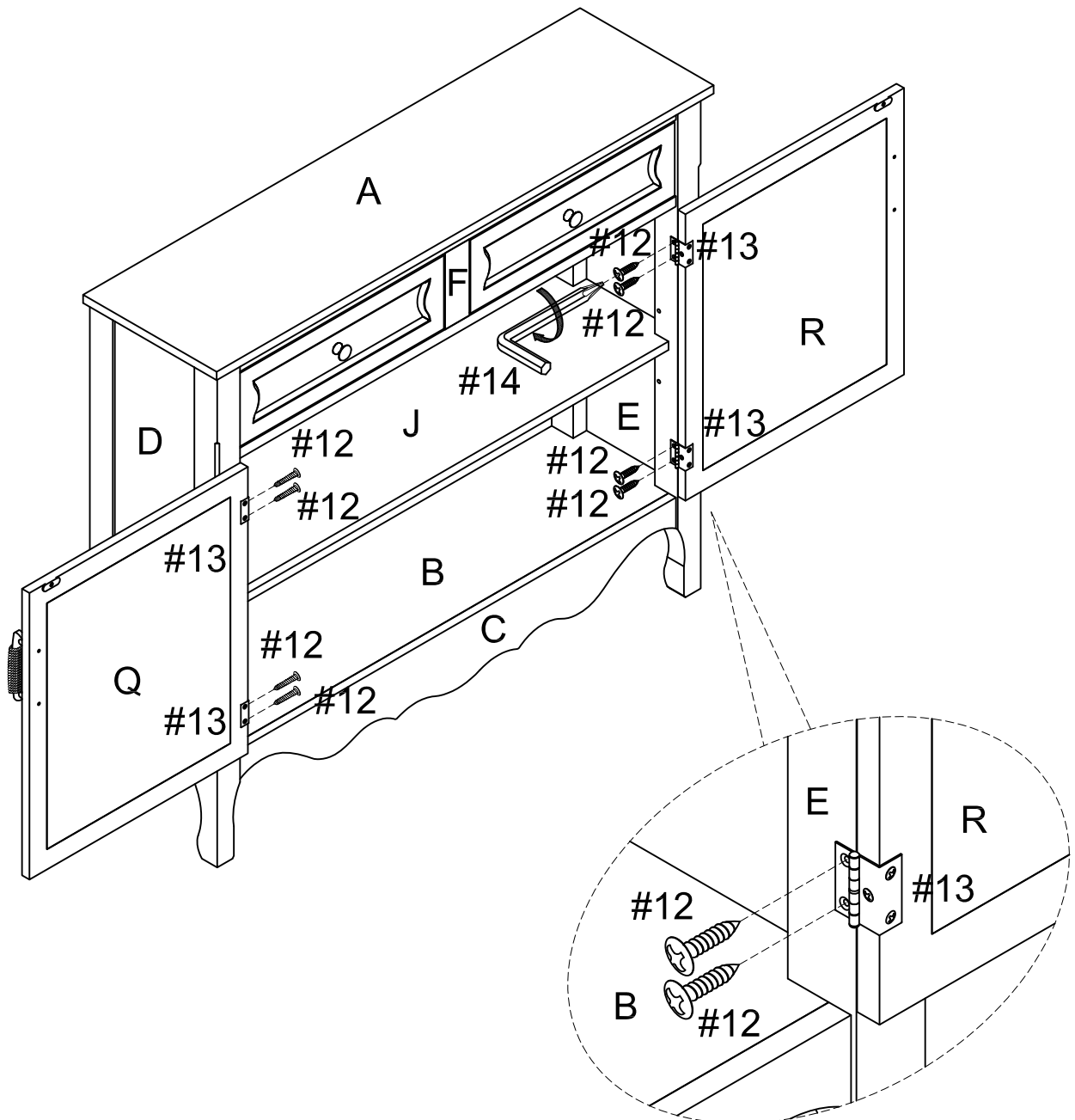
2. Use allen wrench #14 and flat head screw #12 to attach hinge #13 to door panel Q&R, make sure all holes aligned and tighten all screws to secure.


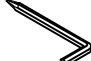
3. Use allen wrench #14 and bolt #10 to attach handle #9 to door panel Q&R, make sure all holes aligned and tighten all bolts to secure.


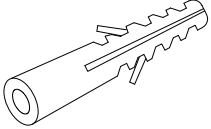
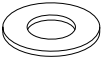
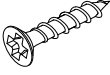
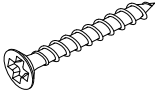
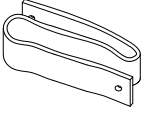


STEP 13:

1. Use allen wrench #14 and flat head screw #12 to attach hinge #13 to left door panel Q and right door panel R, make sure all holes aligned and tighten all screws to secure.



#12		x 8
#14		x 1

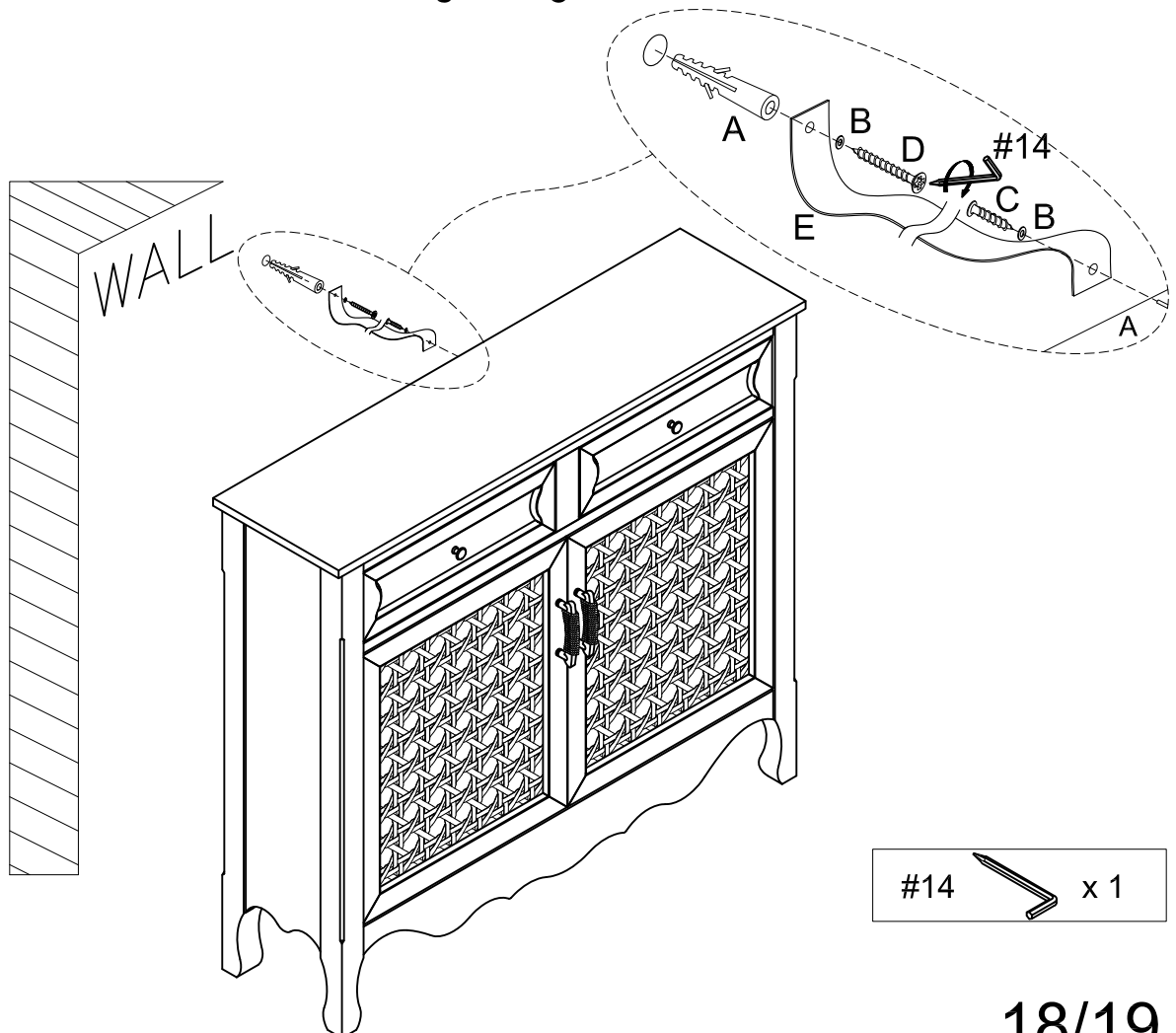
#19	A	B	C	D	E
					
Safety Strap Kit	Anchor	Washer	Short Screw	Long Screw	Safety Wall Strap
1 SET	1 PC	2 PCS	1 PC	1 PC	1 PC

SAFETY WALL STRAP INSTALLATION

Note: It is highly recommended to install this safety strap kit to prevent tipping, damage and/or injury.

1. Insert short screw (C) through washer (B) and safety wall strap (E) and attach to top panel (part A) using phillips head screwdriver.
2. Drill a 1 1/32" hole where you want to secure the unit. The drilled hole will be at the same height as the hole in top panel (part A) where the safety wall strap (E) is attached. Tap wall anchor (A) into the hole.
3. Insert long screw (D) through washer (B) and safety wall strap (E) into wall anchor (A) using phillips head screwdriver.

Note: This item is not intended for clothing storage use.



WARRANTY

We strive to offer high-quality products, and we also try our best to satisfy each and every customer that orders from us with product or service as needed. We provide 30 days warranty starting from the time you receive the item. Each customer must provide a record of their order such as the order number, or item receipt for any items that are out of the warranty period you may also still receive replacement parts by purchasing them with our company if they are available.

**Are you having difficulty
with assembly? Missing parts?
Please send email with your order No**

customerservice@hulalahome.com

**For return, please check the return policy with
the retailer or market place you bought from.**

**Appreciate your purchasing from us.
Pop up your life by our furniture piece!**