
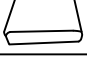

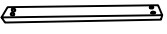



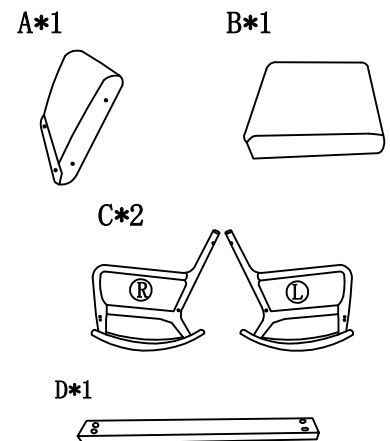
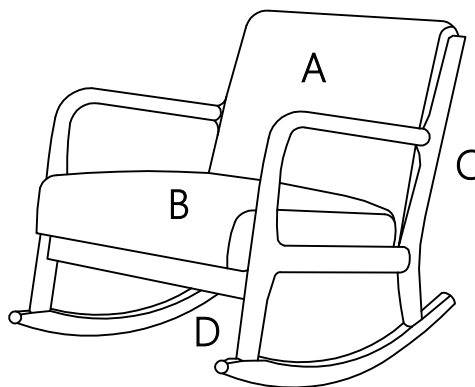


ASSEMBLY INSTRUCTIONS

ITEM NO.:CHQY0079、 CHMYN0176

Label	Picture	Description	QTY.
A		Backrest	1
B		Seat cushion	1
C		leg of chair	2
D		Bottom slats	1

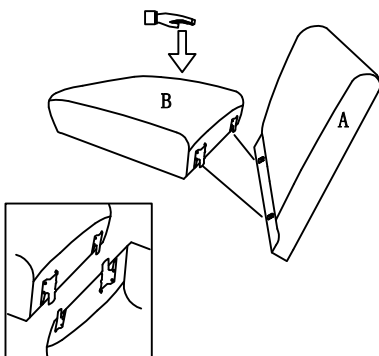
Label	Picture	Description	QTY.
1		Bolt (M8*60MM)	8+1
2		Plastic Lid	8+1
3		Allen wrench (M6)	1



This Chair has multiple parts and may require up to 30 minutes to assemble. To give you an overview of the Chair parts, the above picture is to help you put the various parts into perspective. Please read through the instructions below to familiarise yourself with the parts and steps before assembly.
Note: It is recommended that you have an adult partner to assist during the entire assembly process.

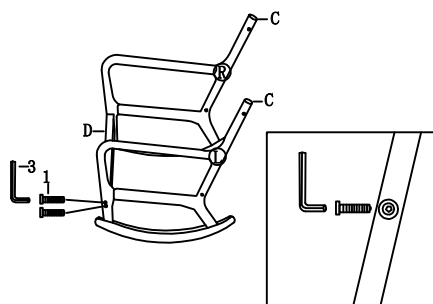
- Read instructions, cover to cover-
- Have 2 adults on hand for assembly-
- Do not assemble on flooring or carpet-
- Assemble on a clean non-marring surface (packing foam)-
- Save all packaging until finished-

1

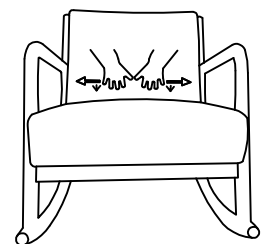


Step 1: Carefully align the male B and female metal A bracket then push all the way down to secure seat and back connection.

2



Step 2: Connect the armrest C and Rung D. Align the screw hole at the armrest and Rung, screw in the screw bolt 1, washer with the Allen key 3. Do not fully tighten the screws!

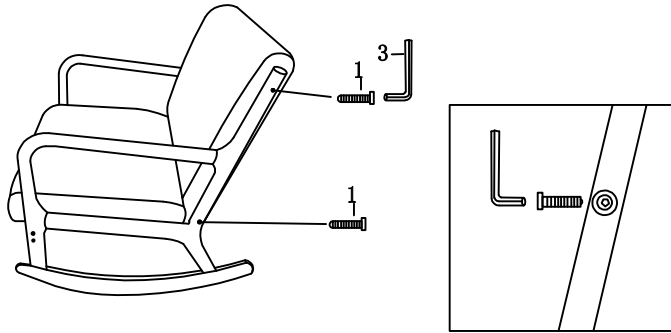


Use hands to push the seat cushion to balance the chair, then sequentially tighten the screws till are fully tightened. Do not fully tighten one screw then go to next one, thus will easy to cause unbalance and damage chair frame.

ASSEMBLY INSTRUCTIONS

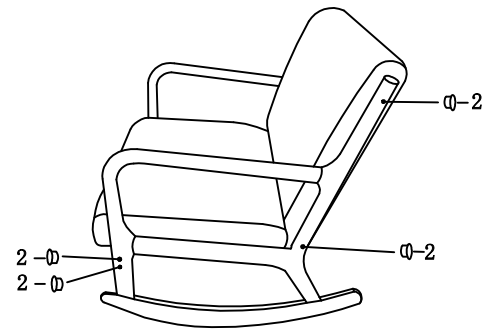
ITEM NO.:CHQY0079、CHMYN0176

3



Step 3: Connect the chair frame (finished in step 2) and the seat body (finished in step 1). Align the screw hole at the frame of chair and seat backrest, screw in the bolt 1, washer with Allen Key 3.
Please don't fasten it until all bolts connected correctly.

4



Step 4: Use hole cap to cover the bolt holes 2 if necessary. But please pay attention to prevent children from swallowing.



Assembly completed.
The Chair can be rocking two ways.

Care & Maintenance

- Furniture may scratch floors. We recommend using furniture pads to protect your floors.
- Do not put hot items directly on furniture surface.
- Do not clean furniture with harsh cleansers or polish.
- Do not place furniture under direct sunlight.
- Do not place furniture near heating or cooling vents.
- Do not write on furniture without a padded barrier to protect the surface.
- Do not place furniture outside. For indoor use only.
- Not for commercial use. For residential use only.
- Stains may be removed with mild soap solution and damp cloth.
- Children should not climb or jump on the furniture.
- Dust and pick-up spills using a clean, non-colored, lint-free cloth.

WARNING:

- BE SURE TO CHECK ALL PACKING MATERIAL CAREFULLY FOR SMALL PARTS, WHICH MAY HAVE COME LOOSE INSIDE THE CARTON DURING SHIPMENT
- DO NOT STAND ON THE CHAIRS
- THE CHAIR WAS DESIGNED FOR ONE PERSON USE ONLY.
- DO NOT USE THE CHAIRS UNLESS ALL THE BOLTS AND SCREWS ARE FIRMLY TIGHTENED
- According to your own usage, check the condition of the screws regularly, and lock them in time if they are found to be loose.
- IF ANY PARTS ARE MISSING, BROKEN, DAMAGED OR WORN, STOP USING THIS PRODUCT IMMEDIATELY UNTIL REPAIRS ARE MADE USING FACTORY AUTHORIZED PARTS
- FAILURE TO FOLLOW THESE WARNINGS COULD RESULT IN SERIOUS INJURY