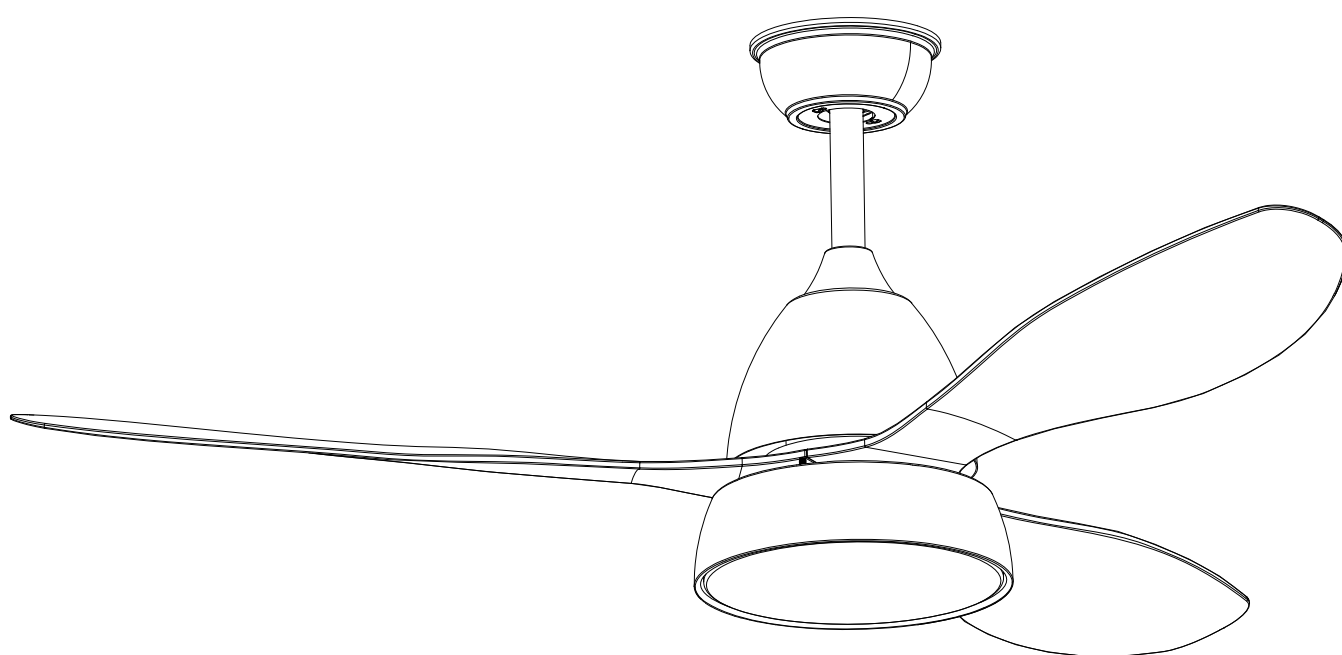


# Installation Manual

---



# Installing Your Fan

## Safety Precaution

### IMPORTANT: PLEASE READ BEFORE INSTALLATION

1. Installation must be carried out by a qualified wiring installer.
2. Turn off the electrical mains at the circuit breaker fuse box.
3. When mounting the fan, ensure that the safety cable is loop across the ceiling mounting hook.
4. The ceiling mounting hook must be able to with hold a min of 35 pounds.
5. The ceiling fan must be mounted at a min. height of 2.3 meter of clearance from the floor.
6. Do not operate the reverse switch when the fan is still in motion Wait till it stops completely before switching to reverse mode.
7. Do not place any objects in the path of the blades.
8. When all electrical connections are done, store all wires neatly.
9. Make sure that all screws and connection are tightly screwed and secure.

### WARNING

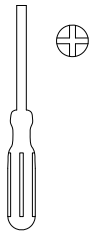
TO REDUCE THE RISK OF PERSONAL INJURY. DO NOT BEND THE BLADE BRACKETS DURING ASSEMBLY OR AFTER INSTALLATION DO NOT INSERT OBJECTS THE PATH BLADES.

### WARNING

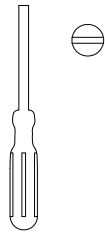
TO REDUCE THE RISK OF SHOCK. THIS FAN MUST BE INSTALLED WITH AN ISOLATION WALL CONTROL/SWITCH

# Installing Your Fan

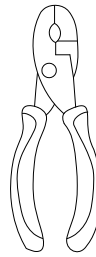
## Tools Required



Phillips  
screwdriver



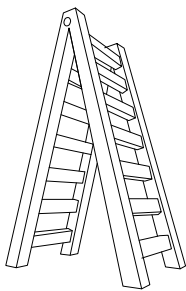
Flat blade  
screwdriver



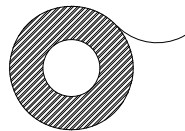
Pliers



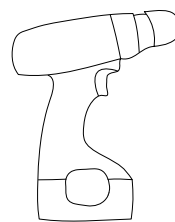
Wire Strippers



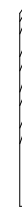
Ladder



Electrical  
tape



Power Drill  
(optional)



9/64" Drill Bit  
(optional)

If mounting to a support structure, you will also need these tools.

## Tools Required

If there is no existing mounting box, then read the following instructions. Disconnect the power by removing the fuses or by turning off the circuit breakers

Secure the outlet box directly to the building structure. Use appropriate fasteners and building materials. The outlet box and its support must be able to fully support the moving weight of the fan (at least 35 lbs). Do not use plastic outlet boxes.

### WARNING

TO REDUCE THE RISK OF FIRE, ELECTRIC SHOCK, OR OTHER PERSONAL INJURY, MOUNT FAN ONLY TO AN OUTLET BOX MARKED ACCEPTABLE FOR FAN SUPPORT AND USE THE MOUNTING SCREWS PROVIDED WITH THE OUTLET BOX. OUTLET BOXES COMMONLY USED FOR THE SUPPORT OF LIGHTING FIXTURES MAY NOT BE ACCEPTABLE FOR FAN SUPPORT AND MAY NEED TO BE REPLACED. CONSULT A QUALIFIED ELECTRICIAN IF IN DOUBT

# Installing Your Fan

## 1. Hanger Options

To avoid possible electrical shock, before installing your fan, disconnect the power by turning off the circuit breakers to the outlet box associated with the Wall switch location.



### 1A. Installing the Hanger

Step. 1. Pass the power wires through the hole in the hanger as shown in Fig. 1.

Step. 2. Secure the hanger to the ceiling outlet box with the wood screws and flat washer provided with your outlet box.

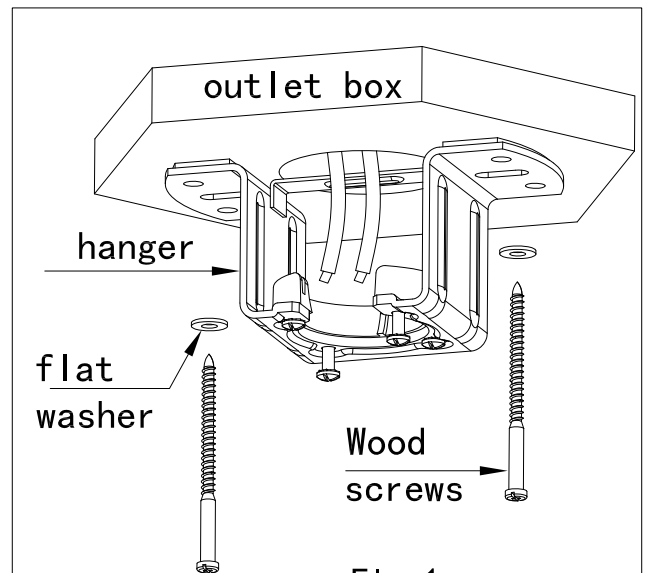


Fig. 1

### 1B. Installing the Hanger

1, when the case of concrete ceiling, use a drill hole drilled in the ceiling of two  $\phi 8$  (distance between the two holes should be appropriate), expansion screw into the hole, then put the hanger expansion screw set into the tum flat washers and nuts and tighten with a spanner (Fg2)

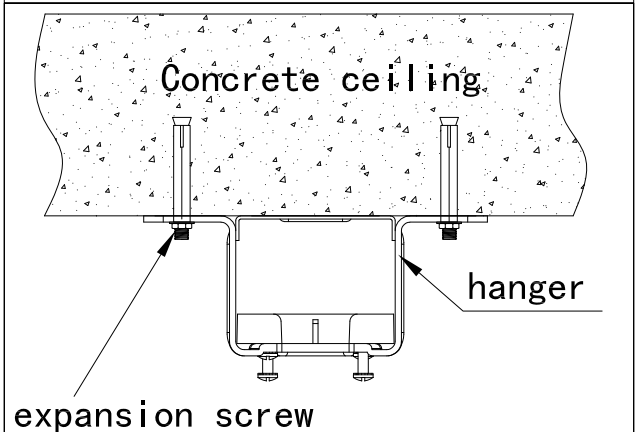


Fig. 2

### 1C. Installing the Hanger

1. The ceiling is made of wood, please lock with a screwdriver hanger on the ceiling (Figure 3) Parts bag flat washer set into the wood screws.

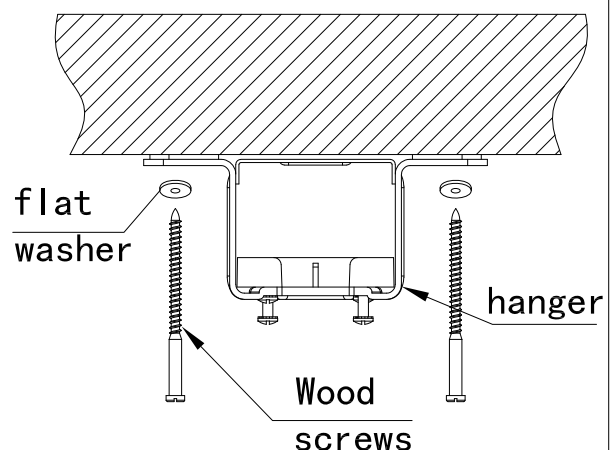
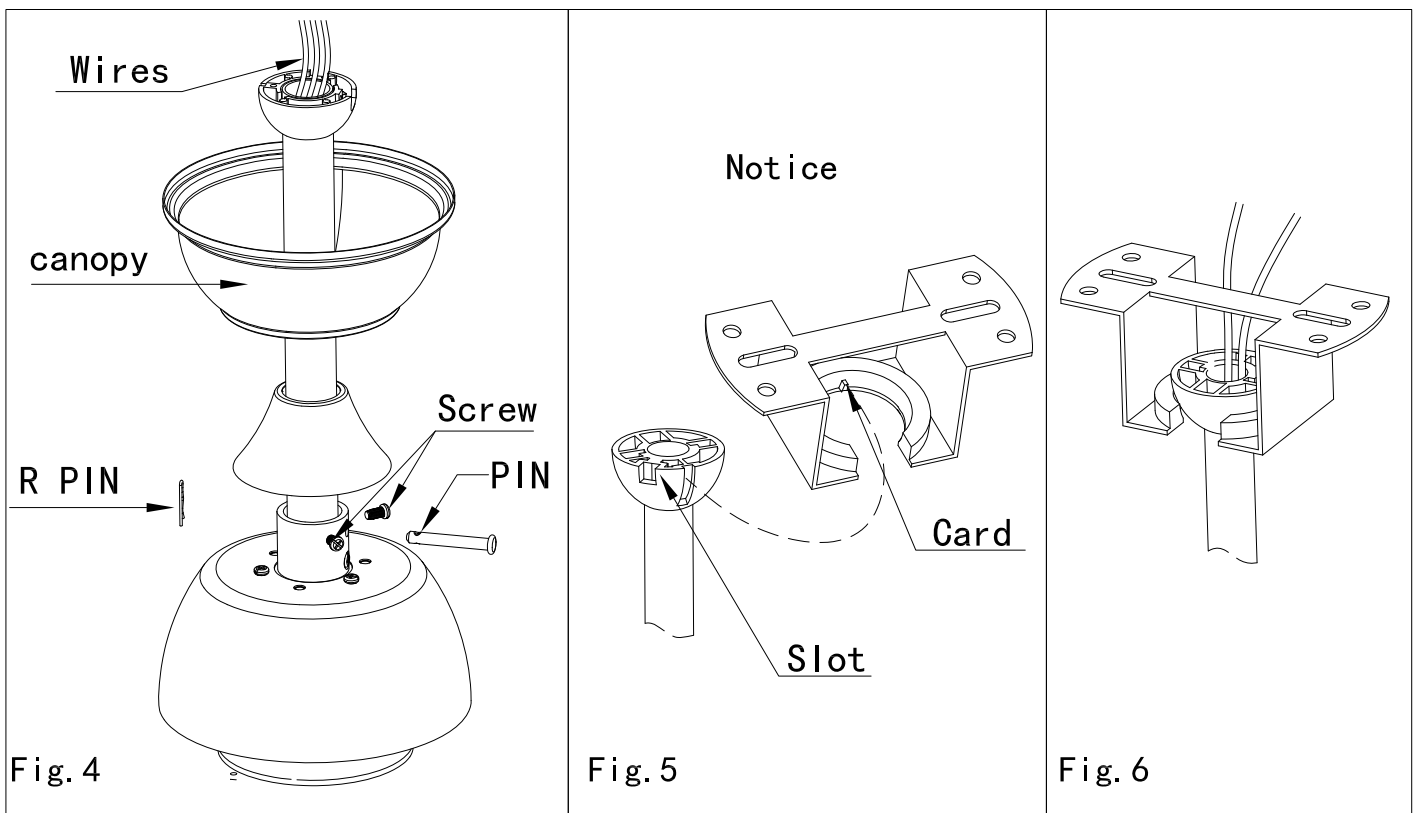


Fig. 3

# Installing Your Fan

## 2. The suspension system installation

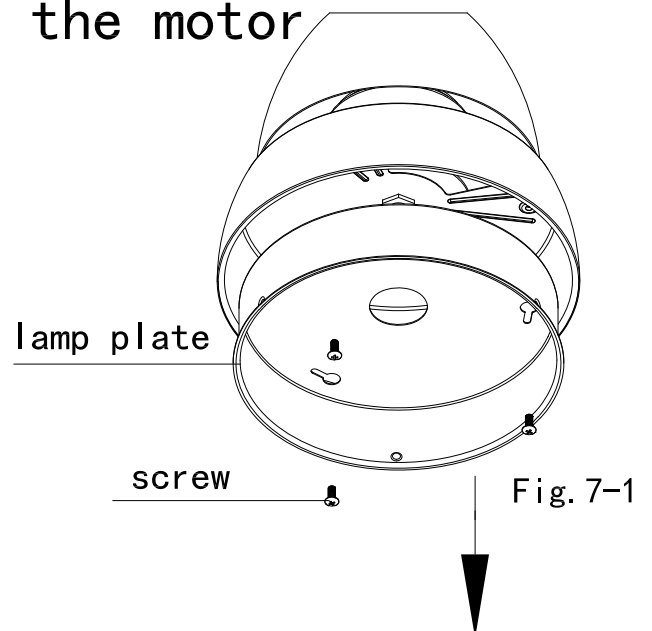


1, the connector housing boom and through the canopy, and then inserted into the lifting boom head and holes are aligned with the holes, and then insert the pin and R pin inserted through the bolt holes, and then screw on the side of the head hanging locking (FIG. 4)

2, a ceiling fan hanging on the hanger, and the hanger lob slot aligned with a card (FIGS. 5 and 6)

## 3. Fastening the blades to the motor

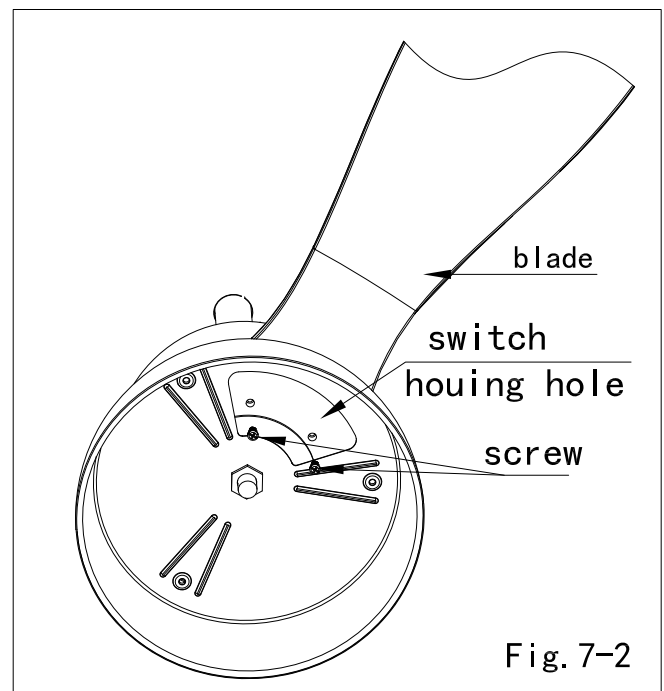
1, Remove the lamp plate (Fig. 7-1)



# Installing Your Fan

- 2, Lock the screw to the motor through the switch housing hole and blade hole. (Fig.7-2)
- 3, Repeat steps 2 to install the remaining blades.

Notice that the blades have heads and tails



## 4. The lamp plate installation

- 1, Feed the wire through the center hole of the lamp plate. (Fig.8)
- 2, Insert the three screw, into place and then tighten all three screws. (Fig.8)

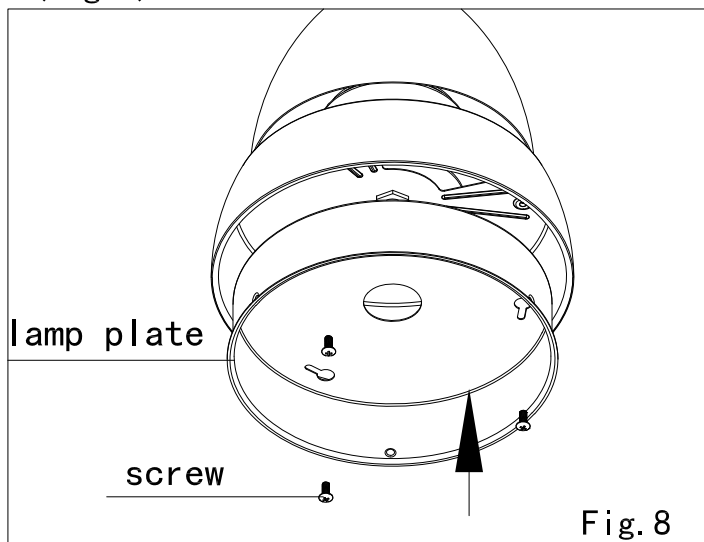


Fig.8

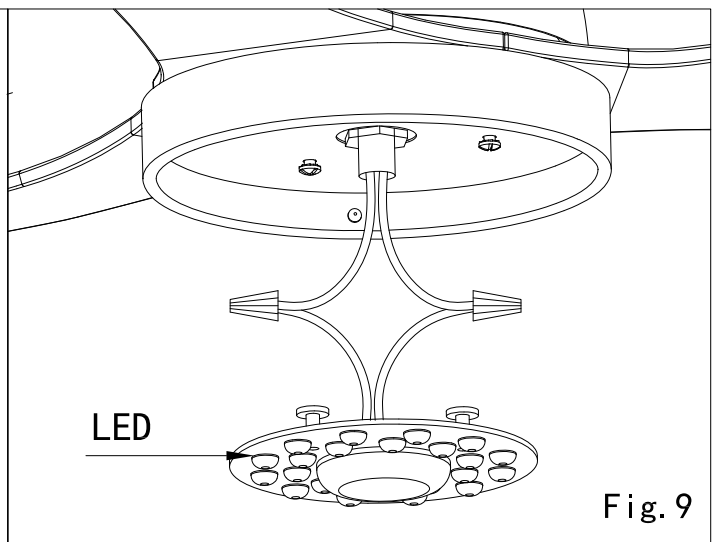


Fig.9

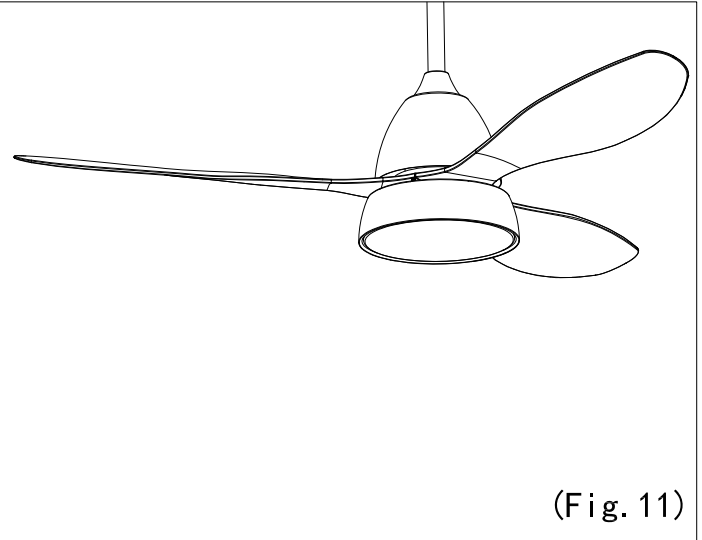
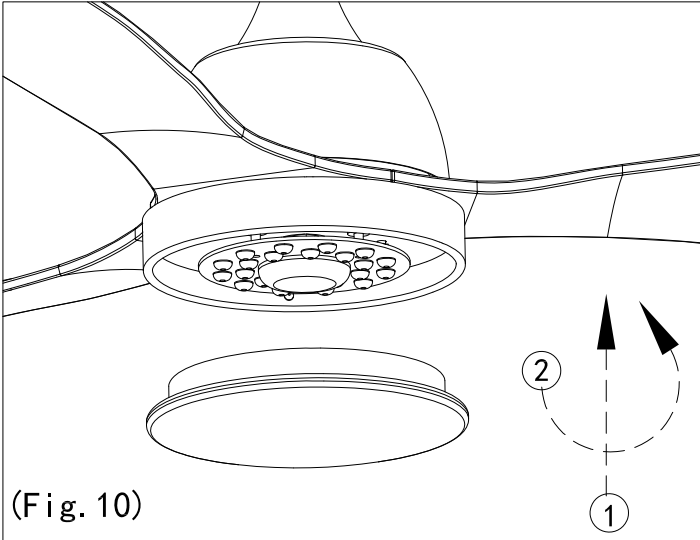
## 5. The LED installation

- 1, Connect the wire from fan to LED .Blue to blue ,white to white. (Fig.9)
- 2, Install the LED disc to the switch housing by tyghton the.

# Installing Your Fan

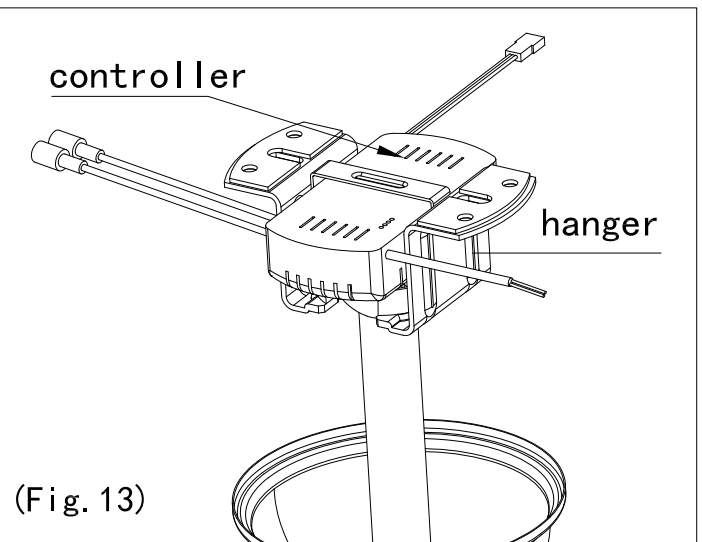
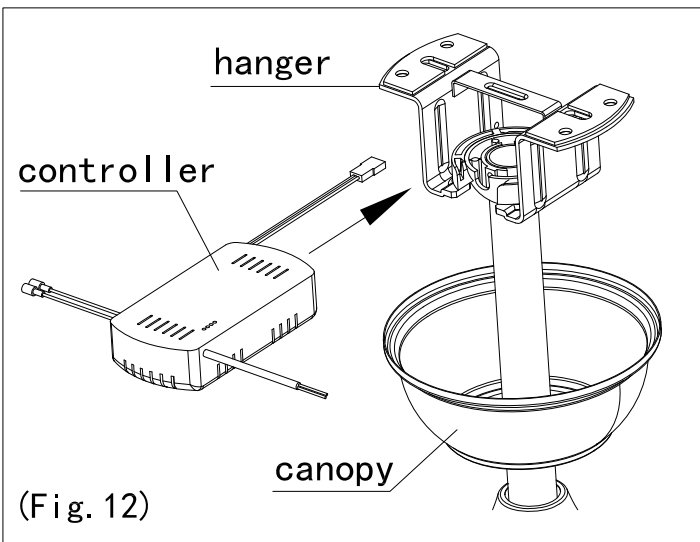
## 6. The lampshade installation

- 1, Install the lampshade to the switch housing by turning clockwise to lock it into place. (Figs. 10 and 11)



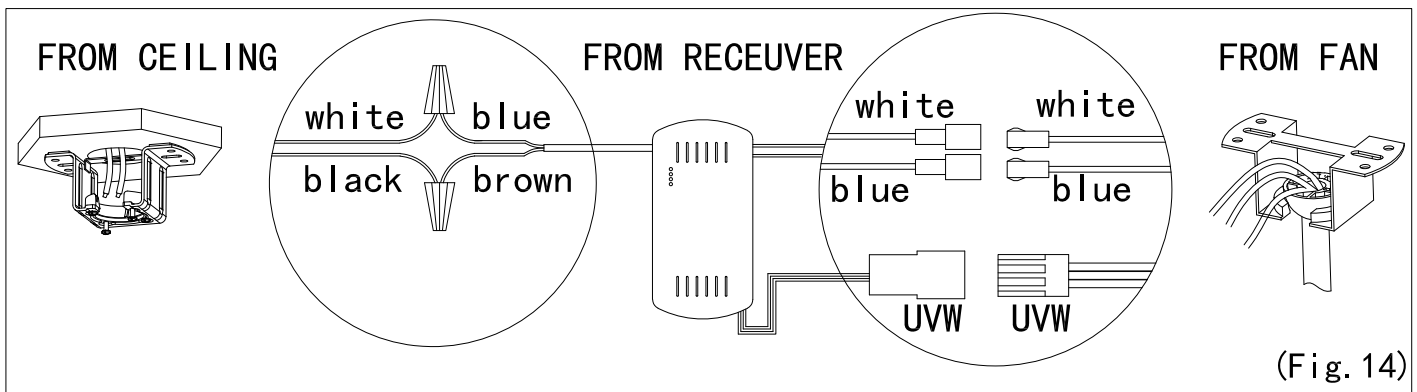
## 7. The controller installation

- 1, Put the controller in the mounting bracket (FIGS. 12 and 13)



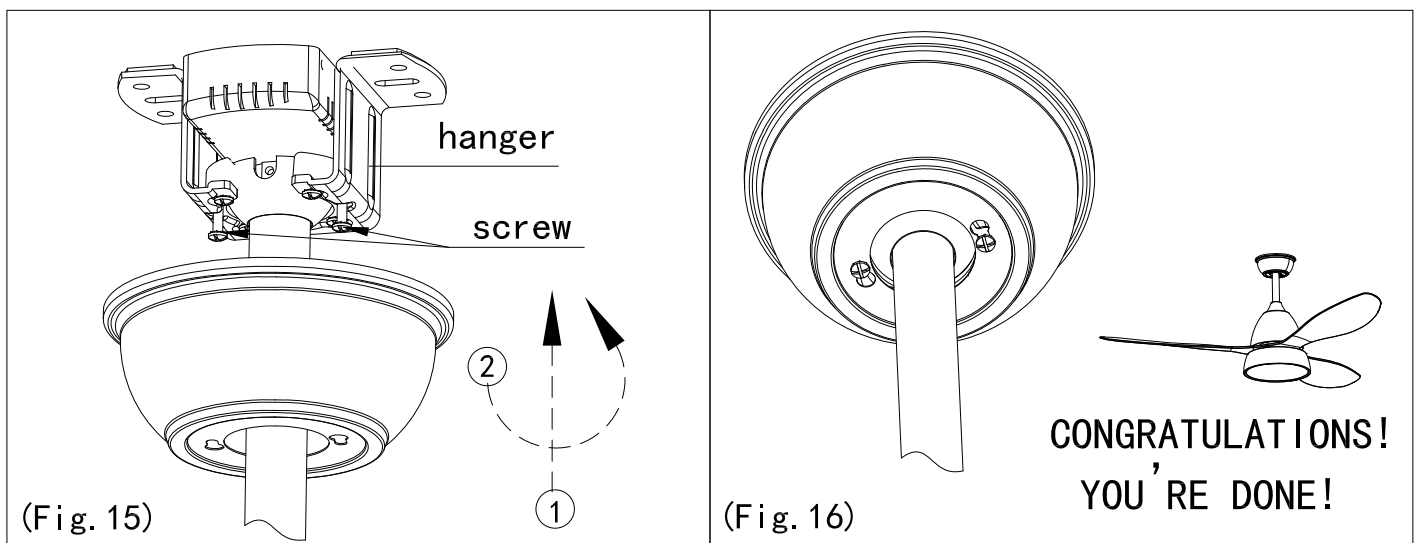
# Installing Your Fan

## 8. Wiring (continued)



- 1, Connect the 3 grounding wires (green, green/yellow stripe, or bare copper) coming from the ceiling, downrod, and hanger.
- 2, Connect the white wire from the receiver to the white wire from the fan. (Fig. 14)
- 3, Connect the blue wire from the receiver to the blue wire from the fan. (Fig. 14)
- 4, Connect the UVW wire from the receiver to the UVW wire from the fan. (Fig. 14)
- 5, Connect the blue wire from the receiver to the white wire from the ceiling.
- 6, Connect the brown wire from the receiver to the black wire from the ceiling.

## 9. Attaching the Canopy



- 1, Slide the canopy up to the ceiling and attach it to the hanger with the screws provided. Tighten all screws securely.  
(FIGS. 15 and 16)