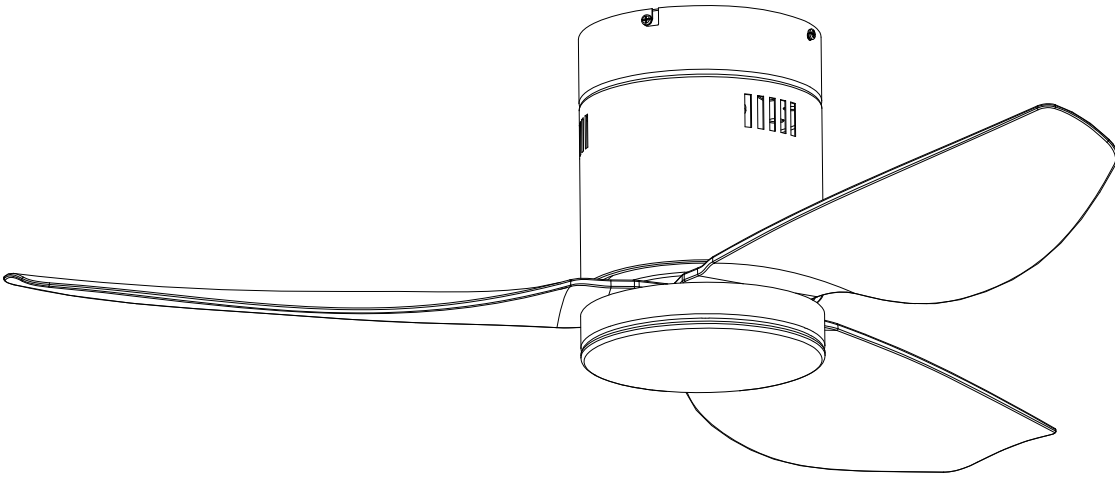


# CEILING FAN with LIGHTING KITS



Owner's Manual  
Read And Save These Instructions

# Installing Your Fan

## Safety Precaution

### IMPORTANT: PLEASE READ BEFORE INSTALLATION

1. Installation must be carried out by a qualified wiring installer.
2. Turn off the electrical mains at the circuit breaker fuse box.
3. When mounting the fan, ensure that the safety cable is loop across the ceiling mounting hook.
4. The ceiling mounting hook must be able to with hold a min of 70 pounds.
5. Do not install the appliance less than 2.3M from the ground and 1M from the wall to the blades.
6. Do not place any objects in the path of the blades.
7. When all electrical connections are done, store all wires neatly.
8. Make sure that all screws and connection are tightly screwed and secure.

### WARNING

TO REDUCE THE RISK OF PERSONAL INJURY. DO NOT BEND THE BLADE BRACKETS DURING ASSEMBLY OR AFTER INSTALLATION DO NOT INSERT OBJECTS THE PATH BLADES.

### WARNING

TO REDUCE THE RISK OF SHOCK. THIS FAN MUST BE INSTALLED WITH AN ISOLATION WALL CONTROL/SWITCH

# Installing Your Fan

## Tools Required

Phillips screwdriver

Flat blade screwdriver

Pliers

Wire Strippers

Ladder

Electrical tape

Power Drill (optional)

9/64" Drill Bit (optional)

If mounting to a support structure, you will also need these tools.

## Tools Required

If there is no existing mounting box, then read the following instructions. Disconnect the power by removing the fuses or by turning off the circuit breakers

Secured the outlet box directly to the building structure. Use appropriate fasteners and building materials. The outlet box and its support must be able to fully support the moving weight of the fan (at least 70 lbs). Do not use plastic outlet boxes.

### WARNING

TO REDUCE THE RISK OF FIRE, ELECTRIC SHOCK, OR OTHER PERSONAL INJURY, MOUNT FAN ONLY TO AN OUTLET BOX MARKED ACCEPTABLE FOR FAN SUPPORT AND USE THE MOUNTING SCREWS PROVIDED WITH THE OUTLET BOX OUTLET BOXES COMMONLY USED FOR THE SUPPORT OF LIGHTING FIXTURES MAY NOT BE ACCEPTABLE FOR FAN SUPPORT AND MAY NEED TO BE REPLACED. CONSULT A QUALIFIED ELECTRICIAN IF IN DOUBT

# Installing Your Fan

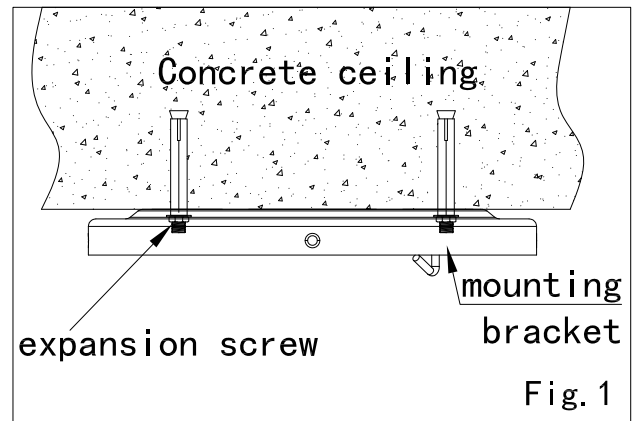
## 1. Hanger Options

To avoid possible electrical shock, before installing your fan, disconnect the power by turning off the circuit breakers to the outlet box associated with the Wall switch location.



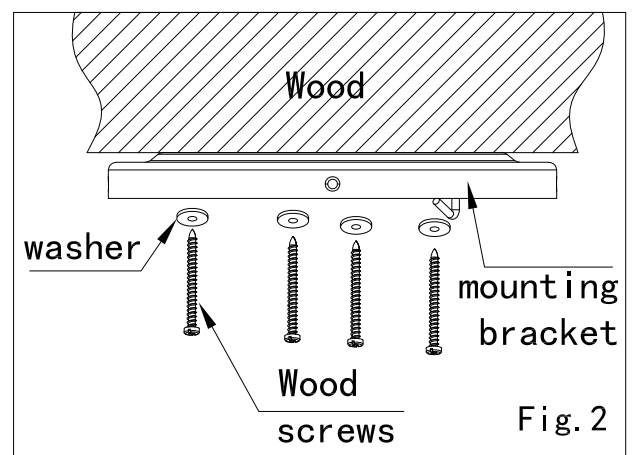
### 1A. Installing the Mounting bracket

- 1, For the Concrete Ceiling: Mark the location for the ceiling fan first, then drill two holes in the ceiling to aid in securing ceiling bracket with two expansion screws provided, and secure the mounting bracket to the building structure with two expansion screws provided, tighten the screws. (Fig. 1)



### 1B. Installing the Mounting bracket

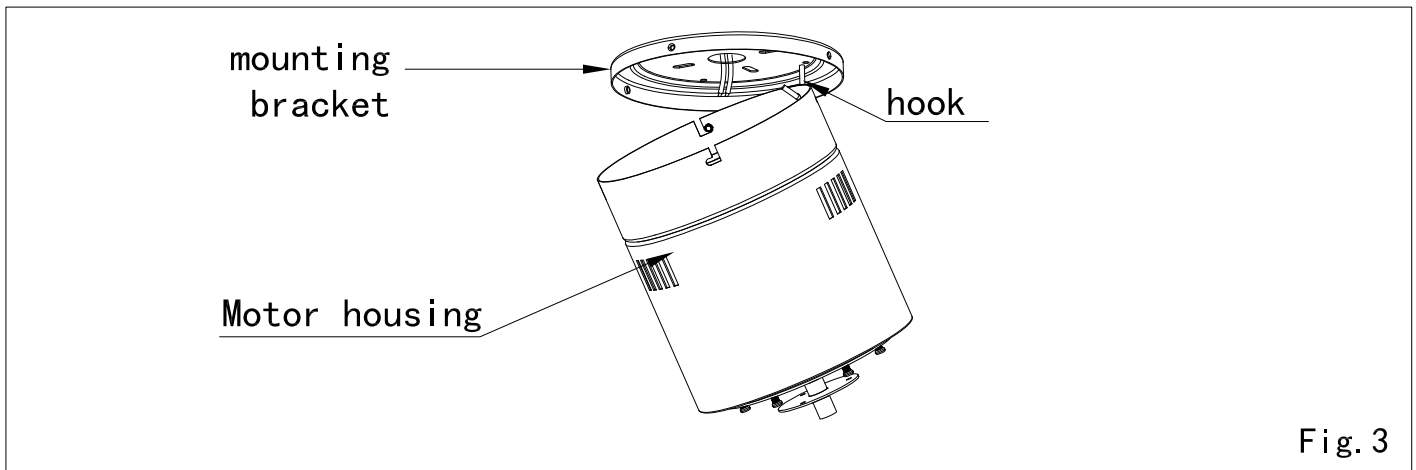
1. For the Wood Ceiling: Mark the location for the ceiling fan first secure the mounting bracket to the building structure with four wood screws and washer provided. (Fig. 2)



# Installing Your Fan

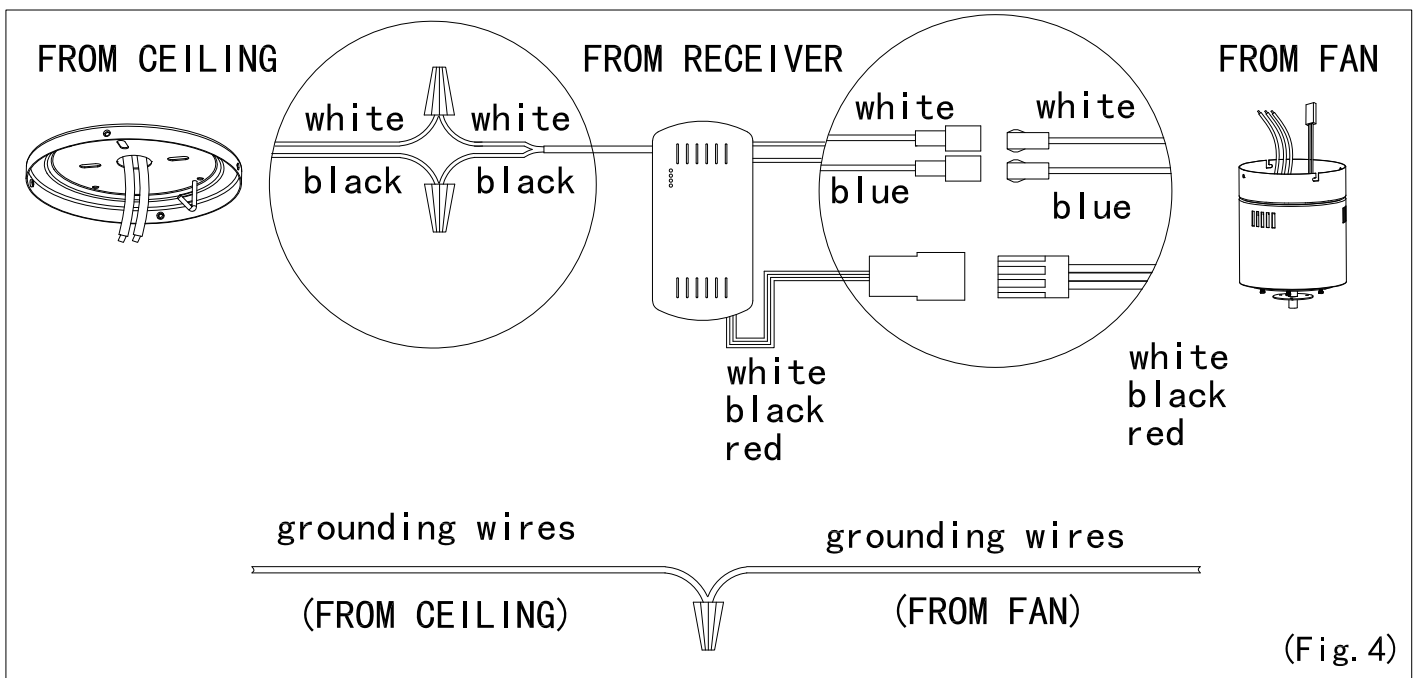
## 2. Hanging Motor housing

1. Lift the Motor housing and hang it on the hook of the mounting bracket. (Fig. 3)



## 3. Wiring

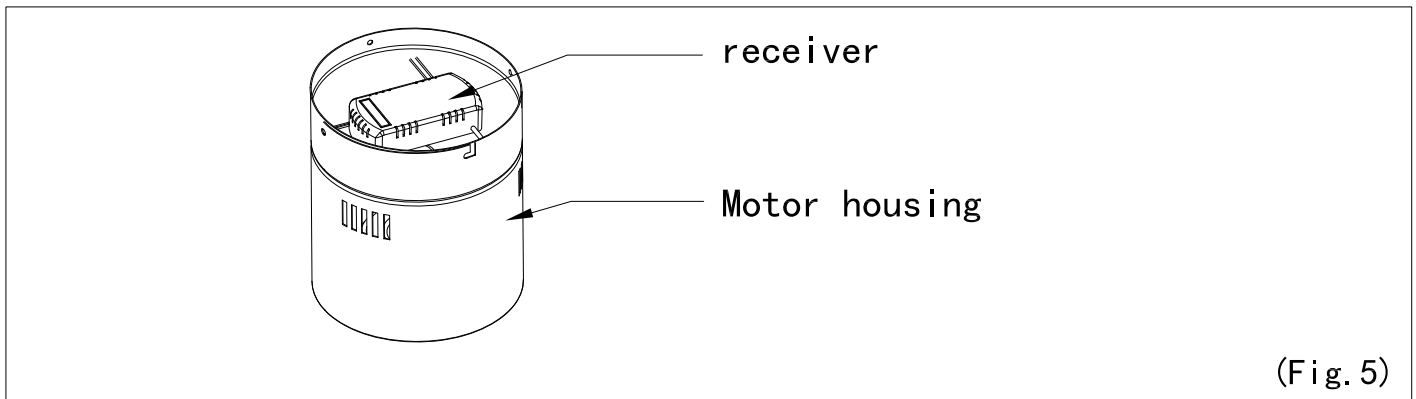
1. Wiring according to the wiring diagram. (Fig. 4)



# Installing Your Fan

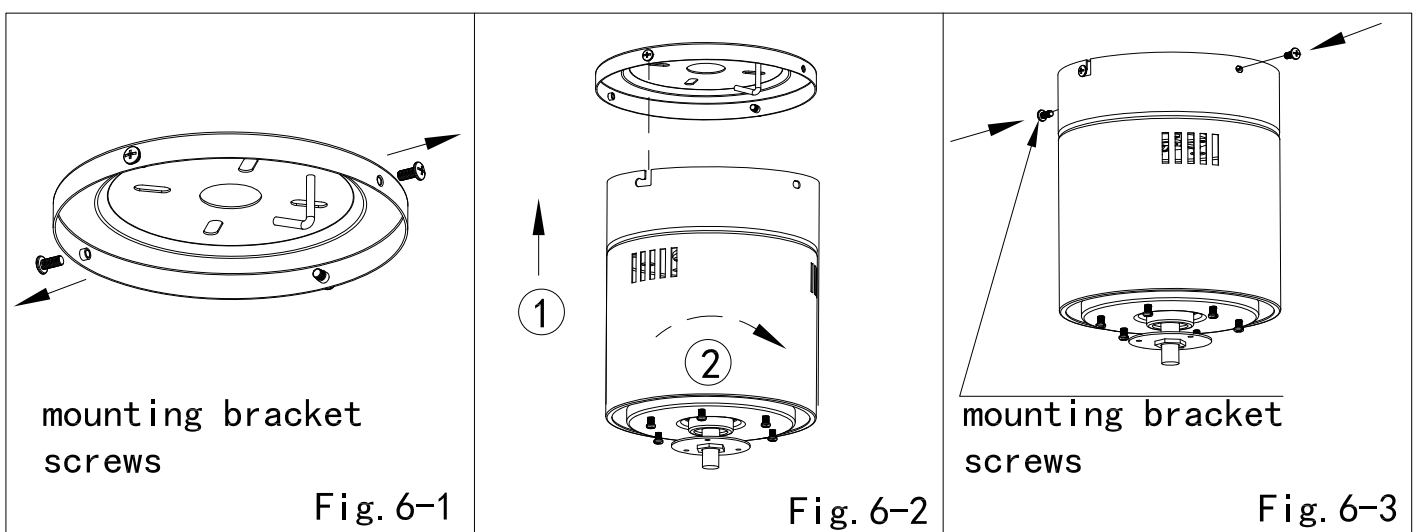
## 4. The receiver installation

- 1, Put the receiver in the Motor housing after the wire is connected. (Fig. 5)



## 5. Installing Motor housing

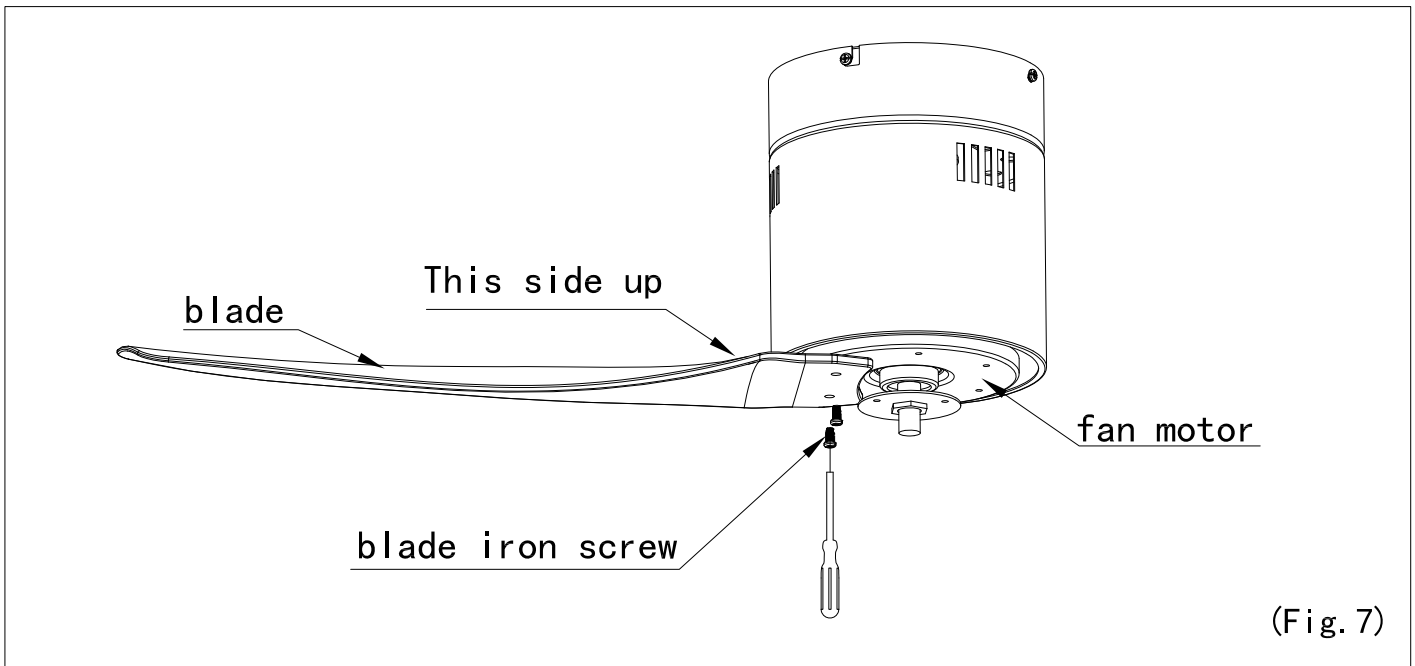
- 5.1 Remove two mounting bracket screws. (Fig. 6-1)
- 5.2 Remove the motor housing from the hook and align it with the mounting bracket hole on the suspension plate, push up and turn Clockwise. (Fig. 6-2 ① → ②)
- 5.3 tighten the four mounting bracket screws. (Fig. 6-3)



# Installing Your Fan

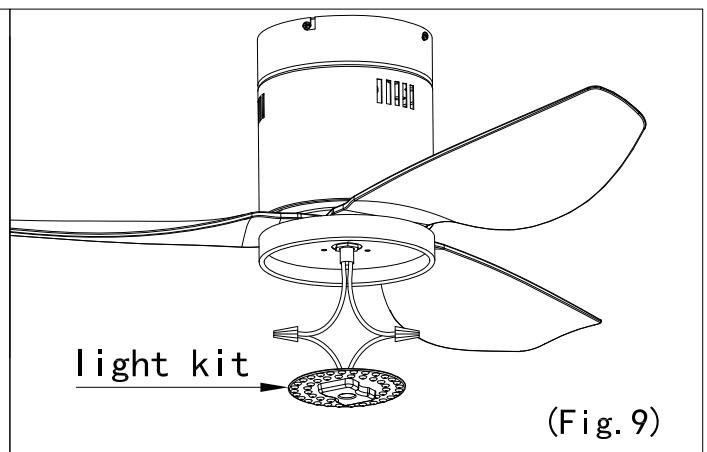
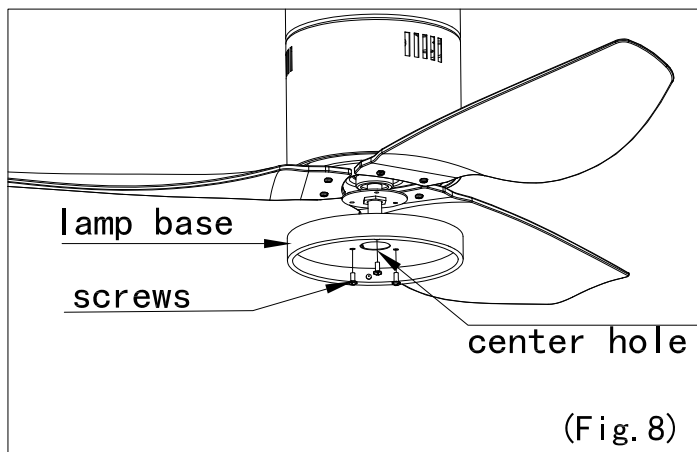
## 6. Blade assembly installation

1. Remove blade iron screws from fan motor. (Fig. 7)
2. Attach the blade to the motor with blade iron screws. (Fig. 7)
3. Repeat this step for each blade assembly. (Fig. 7)



## 7. Install on light kits

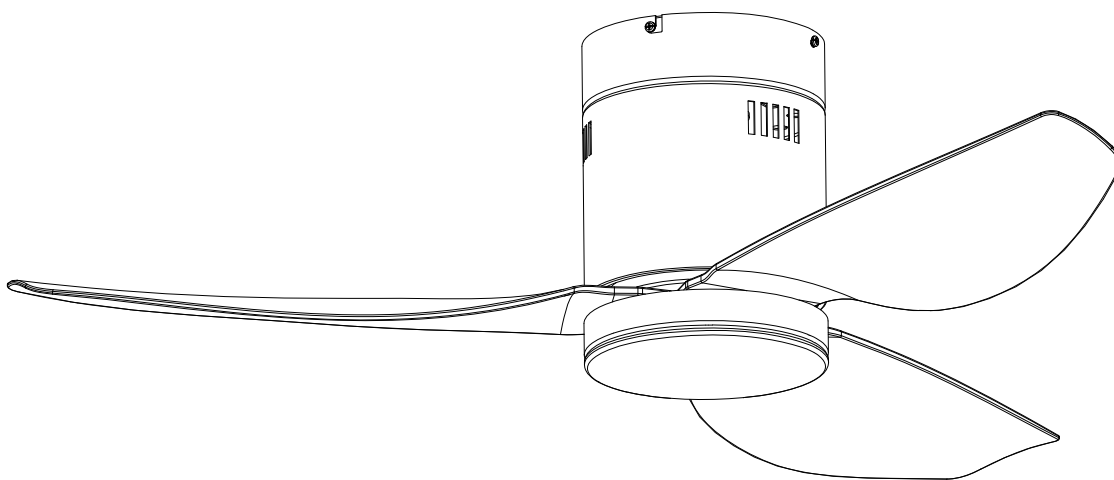
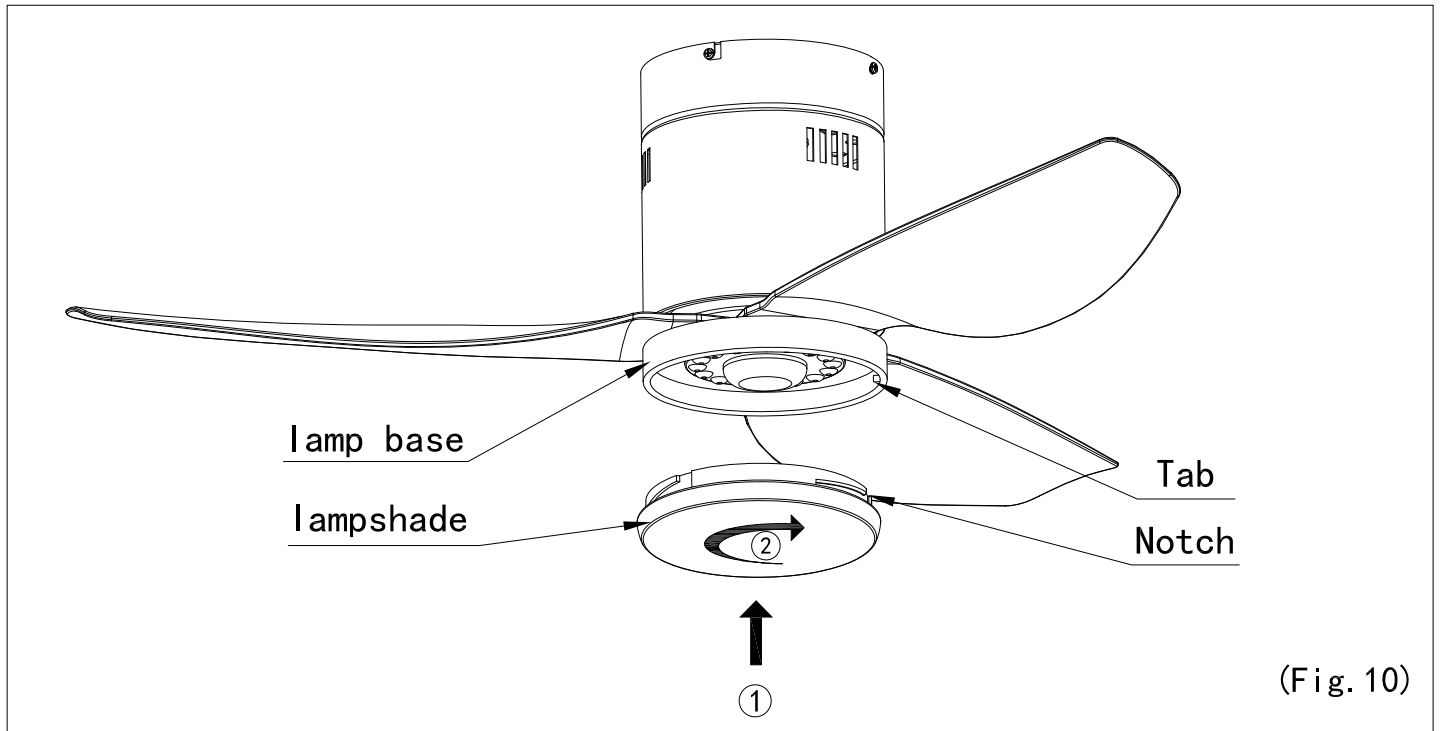
- 7.1, Feed the wire through the center hole of the lamp base. (Fig. 9)
- 7.2, Fix the lamp base with screws, then connect wire with motor by Wiring cap. then put on the light kit by magnet. (fig. 8 and 9)



# Installing Your Fan

## 8. The lampshade installation

8.1, Install the lampshade to the lamp base by turning clockwise to lock it into place. (Fig.10)



**CONGRATULATIONS!**  
**YOU'RE DONE!**