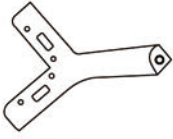


INSTRUCTION



A*4



B*8

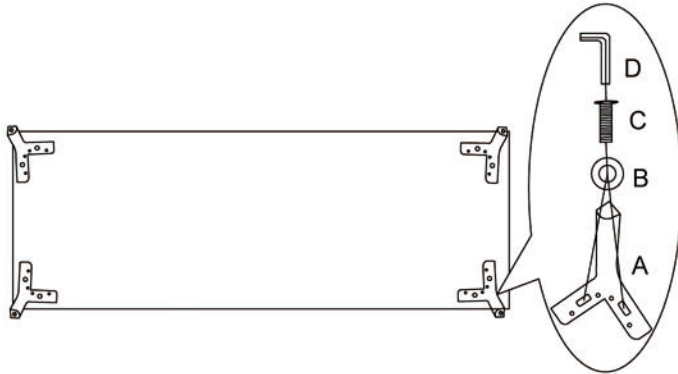


C*8

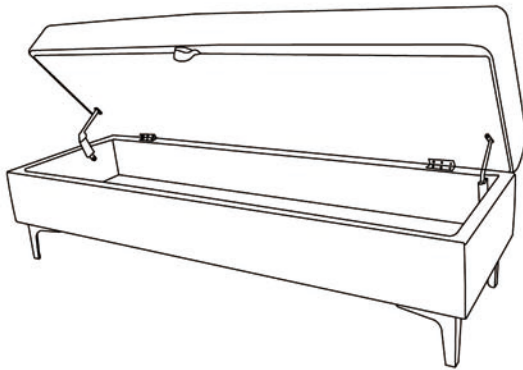


D*1

A



B



C

