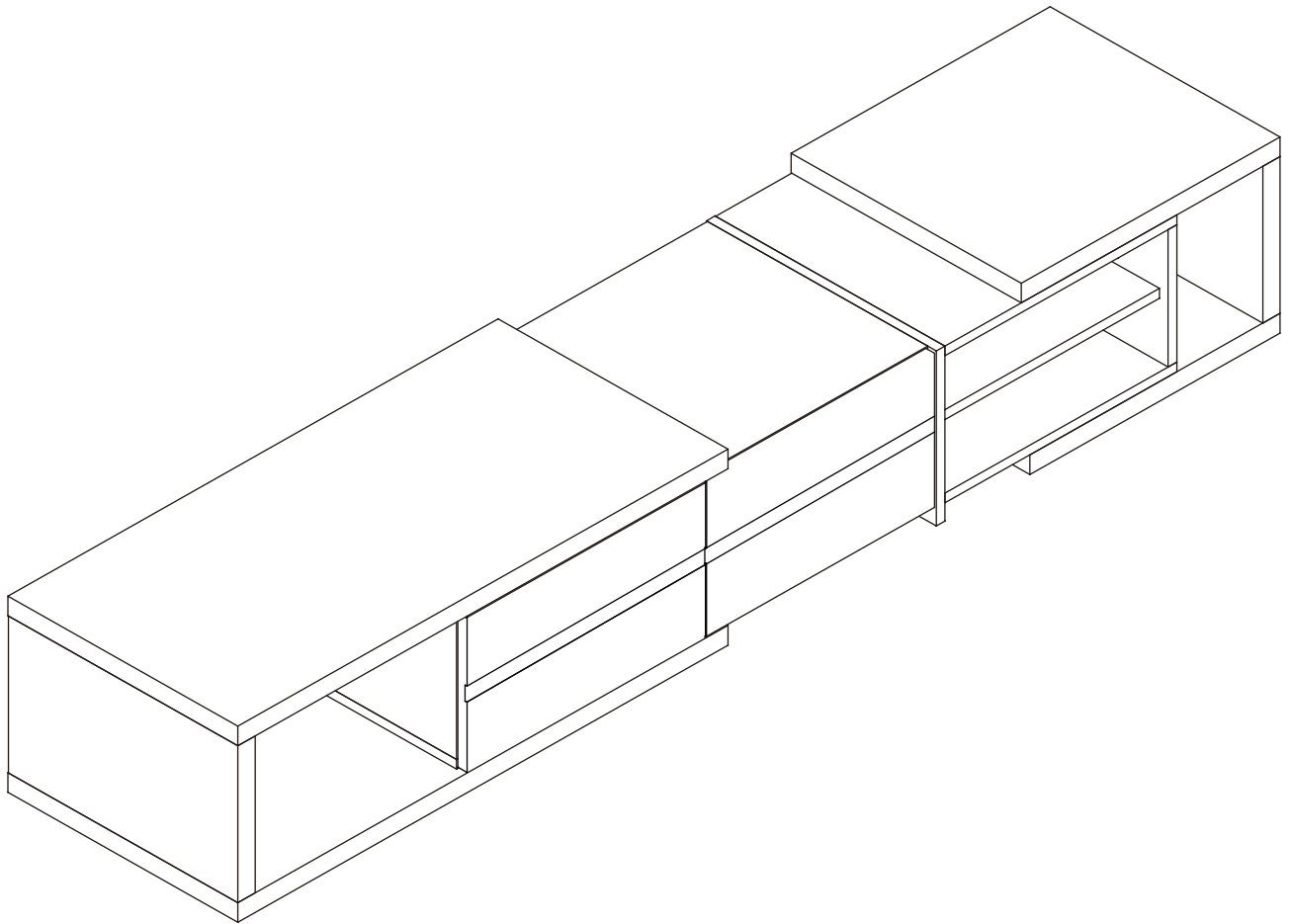


TV Cabinet

Assembly Instructions - Please keep for future reference



Dimensions

Width-51.2inch

Depth-15.8inch

Height-11.8inch

Important – Please read these instructions fully before starting assembly



Safety and Care Advice

Important – Please read these instructions fully before starting assembly

- Check you have all the components and tools listed on the following pages.
- Remove all fittings from the plastic bags and separate them into their groups.
- Keep children and animals away from the work area, small parts could choke if swallowed.
- Make sure you have enough space to layout the parts before starting.

- During assembly do not stand or put weight on the product, this could cause damage.
- Assemble the item as close to its final position (in the same room) as possible.
- Assemble on a soft level surface to avoid damaging the unit or your floor.
- Parts of the assembly will be easier with 2 people.



- To reduce the likelihood of damaging your product please ensure that your power drill is set on a low torque setting.

Care and maintenance

- Only clean using a damp cloth and mild detergent, do not use bleach or abrasive cleaners.
- From time to time check that there are no loose screws on this unit.
- This product should not be discarded with household waste. Take to your local authority waste disposal centre.

Handy Hints

- Assemble all parts and bolts loosely during assembly, only once the product is complete should you fully tighten the bolts
- Regularly check and ensure That all bolts and fittings are tightend properly.

WARNING In order to help prevent overturning – please follow these instructions

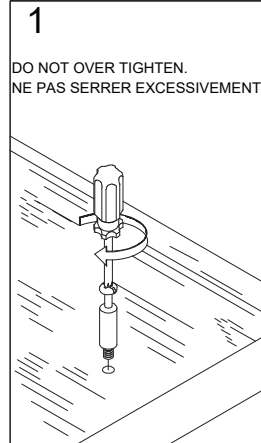
To help prevent product toppling over please follow the below steps:-

- Use the anti tip stap or wall fixing method provided (if applicable)
- Do not allow children to climb or hang on the furniture
- Do not open more than one drawer at a time
- Do not place heavy items in the top drawers
- Do not place heavy items on top of the furniture, unless the furniture has been designed for this purpose

Using Camlocks

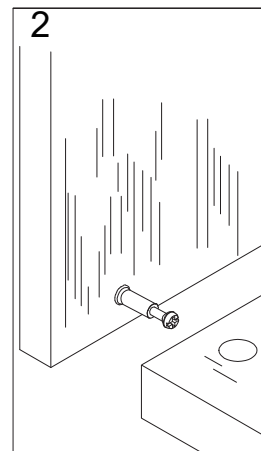
Step 1

Connect the male camlock as directed in the assembly instructions using a screwdriver.



Step 2

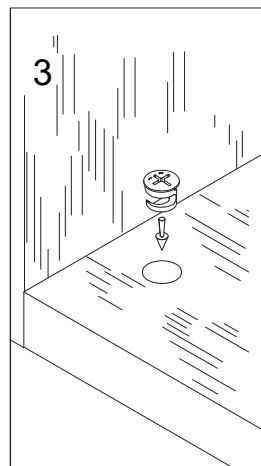
Push the male camlock into the entry hole.



Step 3

Insert the female camlock as shown in the instruction.

Note: ensure that the arrow on the top of the camlock points towards the entry hole for the male camlock.

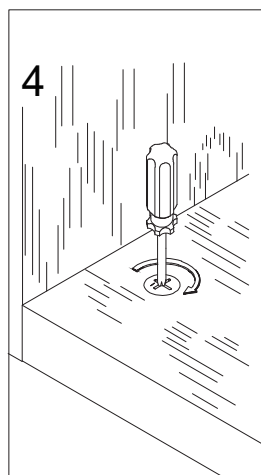


Step 4

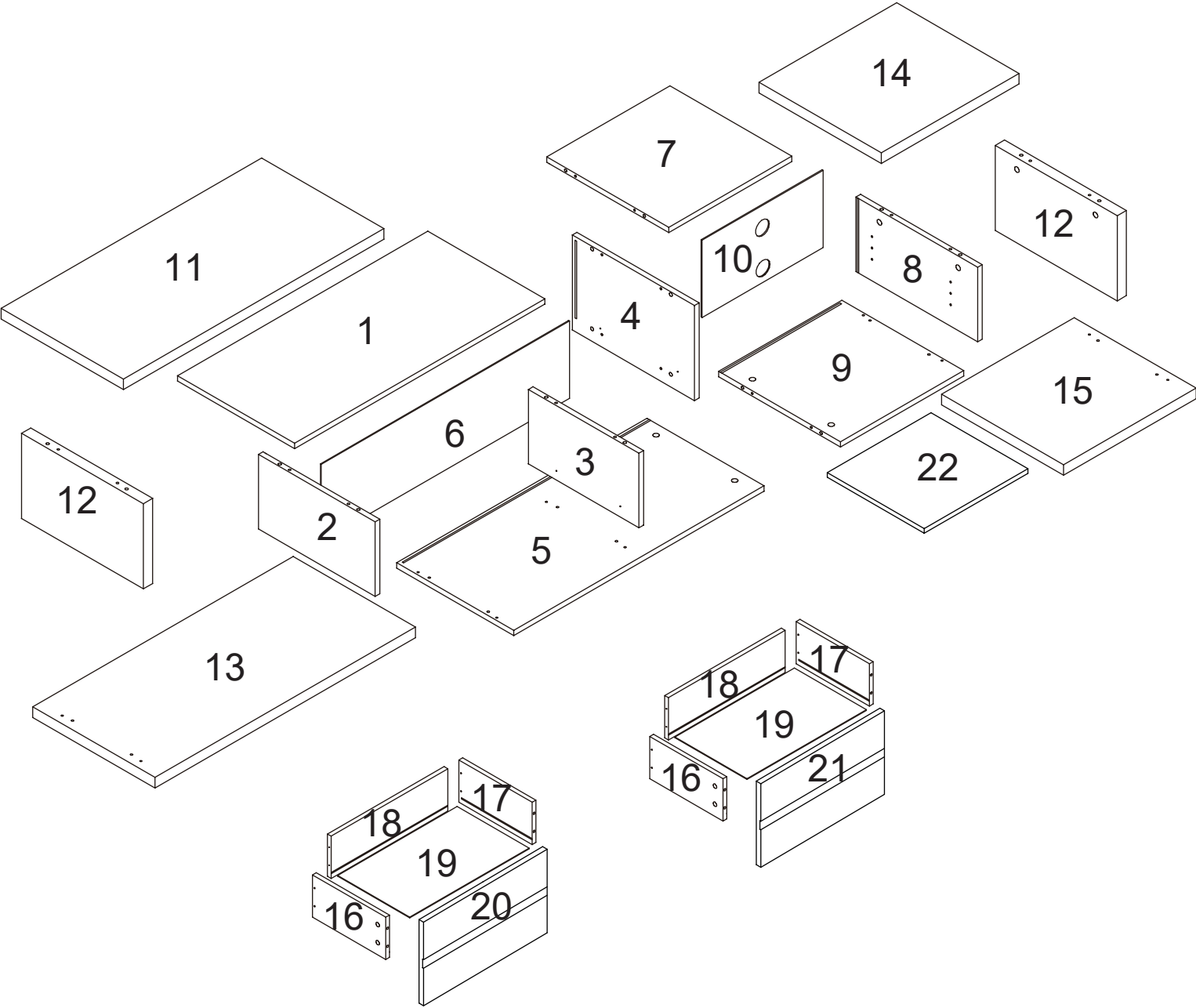
Turn the female camlock clockwise with a screwdriver.

You should feel a click when the camlock is locked in place.

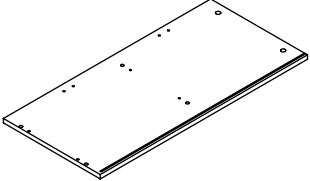
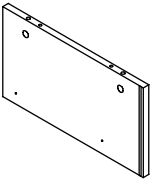
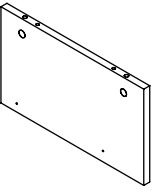
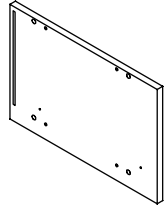
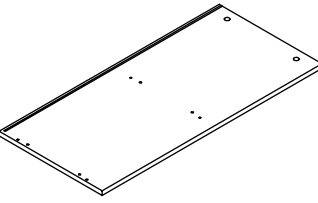
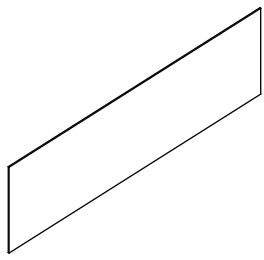
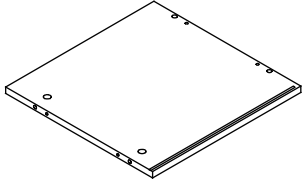
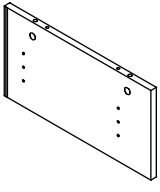
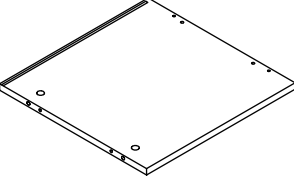
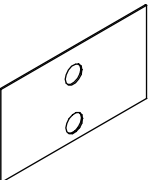
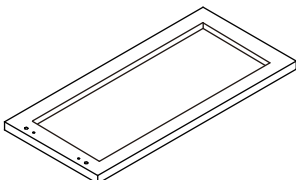
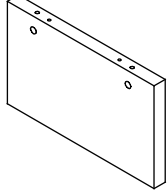
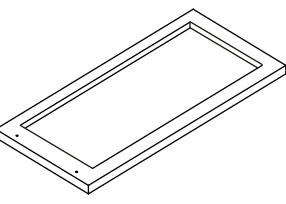
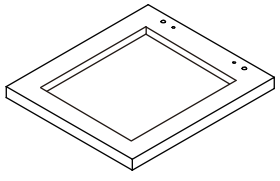
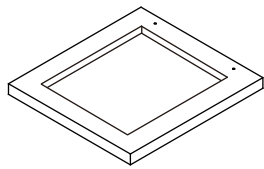
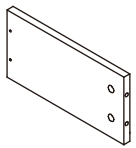
The joint is now secure.



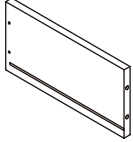
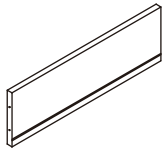
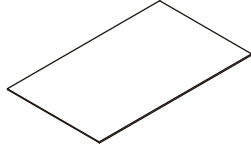
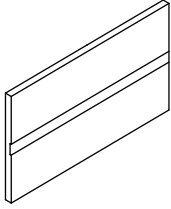
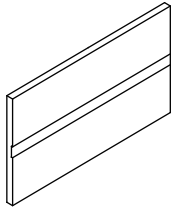
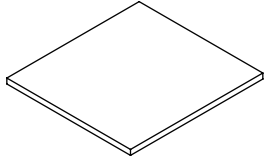
Assembly Instructions



Assembly Instructions

			
① x 1	② x 1	③ x 1	④ x 1
			
⑤ x 1	⑥ x 1	⑦ x 1	⑧ x 1
			
⑨ x 1	⑩ x 1	⑪ x 1	⑫ x 2
			
⑬ x 1	⑭ x 1	⑮ x 1	⑯ x 2

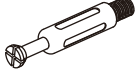




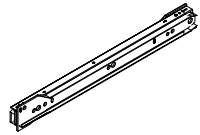
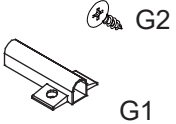





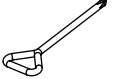
Assembly Instructions

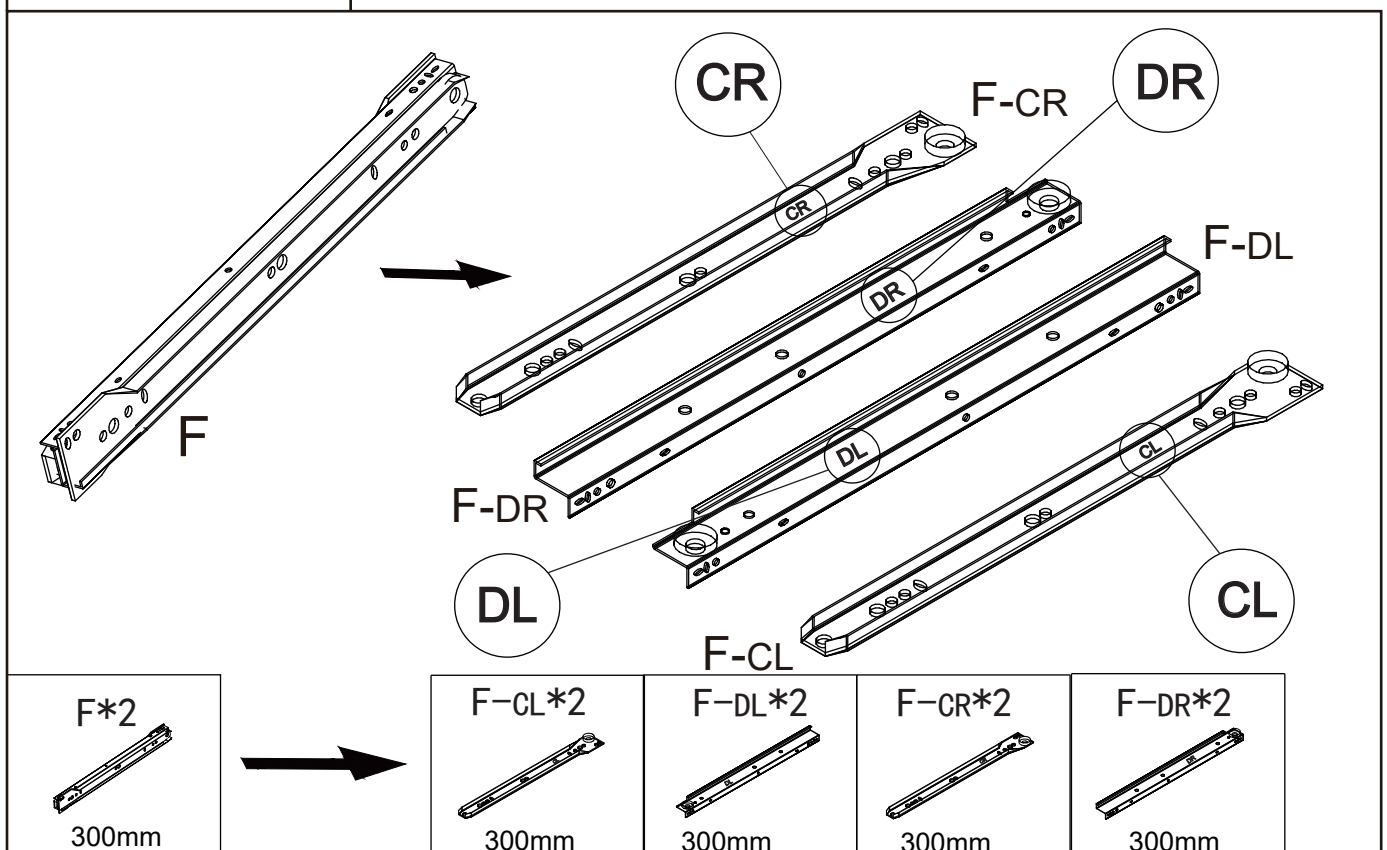
			
①7 x 2	①8 x 2	①9 x 2	②0 x 1
			
②1 x 1	②2 x 1		

Components-Fittings

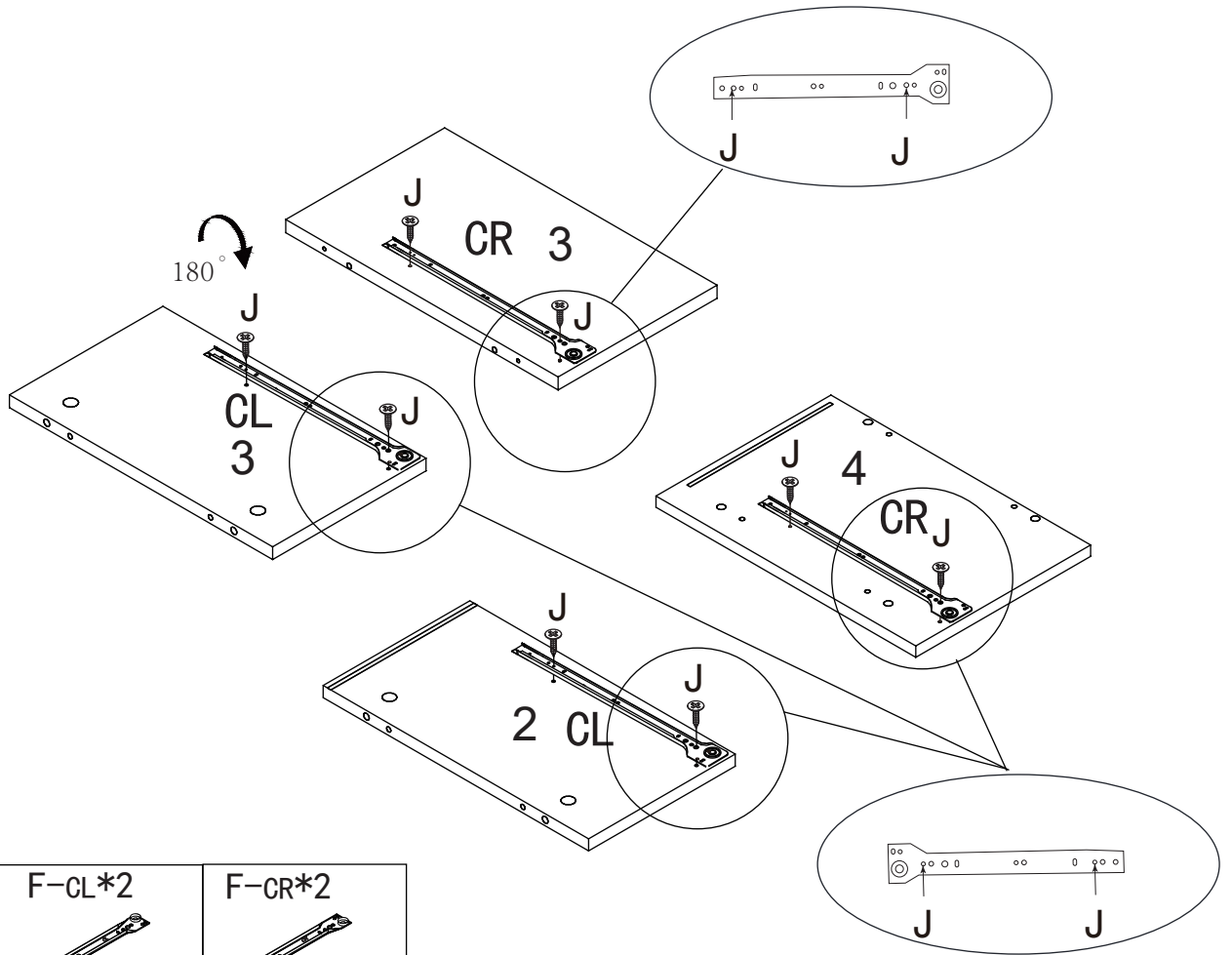
Please check you have all the panels listed below




Note: The quantities below are the correct amount to complete the assembly. In some cases more fittings may be supplied than are required.

<p>(A)</p>  <p>Cam Bolt x 26+2</p>	<p>(B)</p>  <p>Cam Lock x 26+2</p>	<p>(C)</p>  <p>8*30mm Dowel x 28+2</p>	<p>(D)</p>  <p>5*40mm Screw x 14+1</p>
<p>(E)</p>  <p>5*60mm Screw x 4+1</p>	<p>(F)</p>  <p>300mm Drawer slide x 2</p>	<p>(G)</p>  <p>Rebound device x 2</p>	<p>(H)</p>  <p>Back panel buckle x 8+1</p>
<p>(J)</p>  <p>3.5*14mm Screw x 20+2</p>	<p>(K)</p>  <p>felt x 12+2</p>	<p>(L)</p>  <p>Perfect sticker x 26+4</p>	<p>(M)</p>  <p>Shelf brackets x 4+1</p>
<p>(N)</p>  <p>Screwdriver x 1</p>			

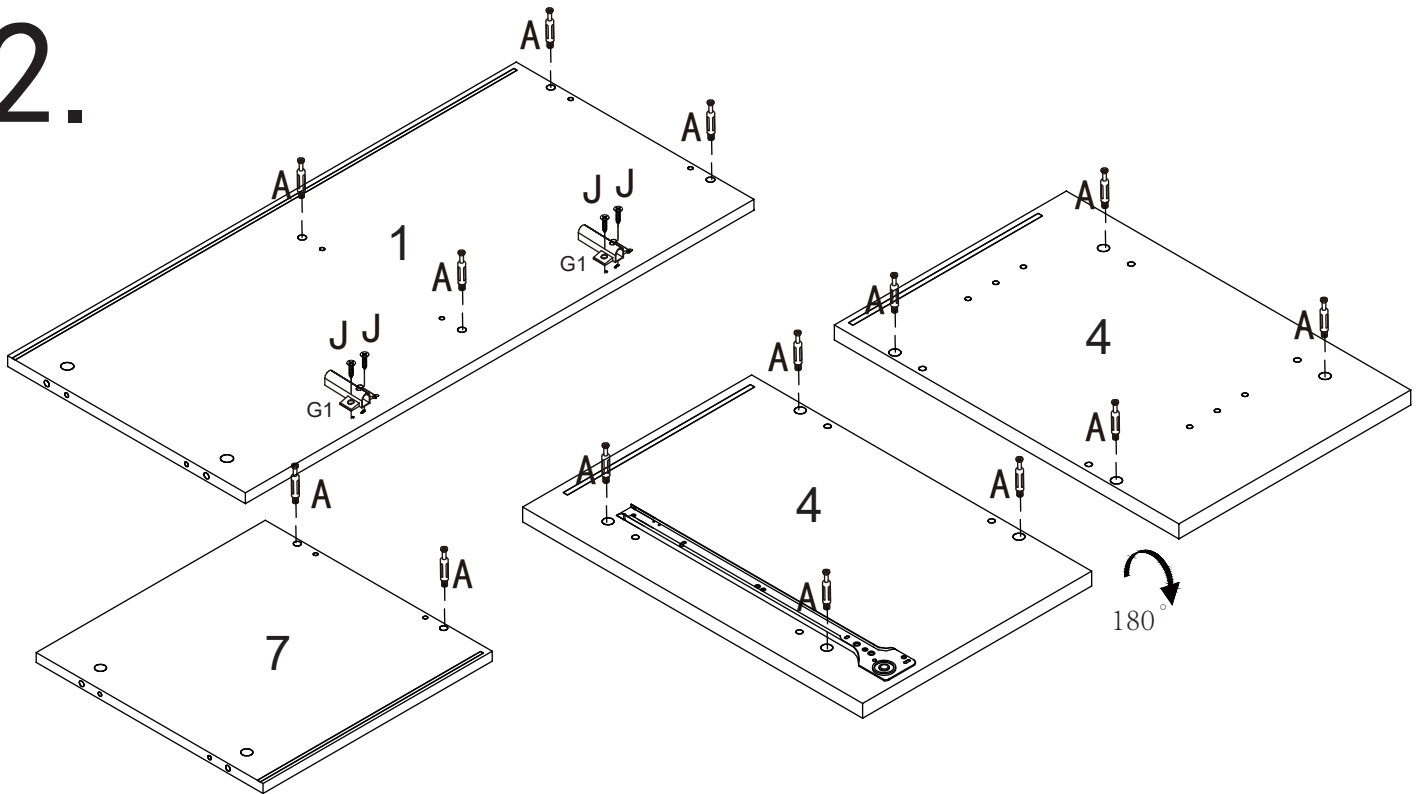


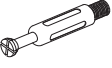

1.



J*8  Ø 3.5 x 14 mm	F-CL*2  300 mm	F-CR*2  300 mm
--	--	--

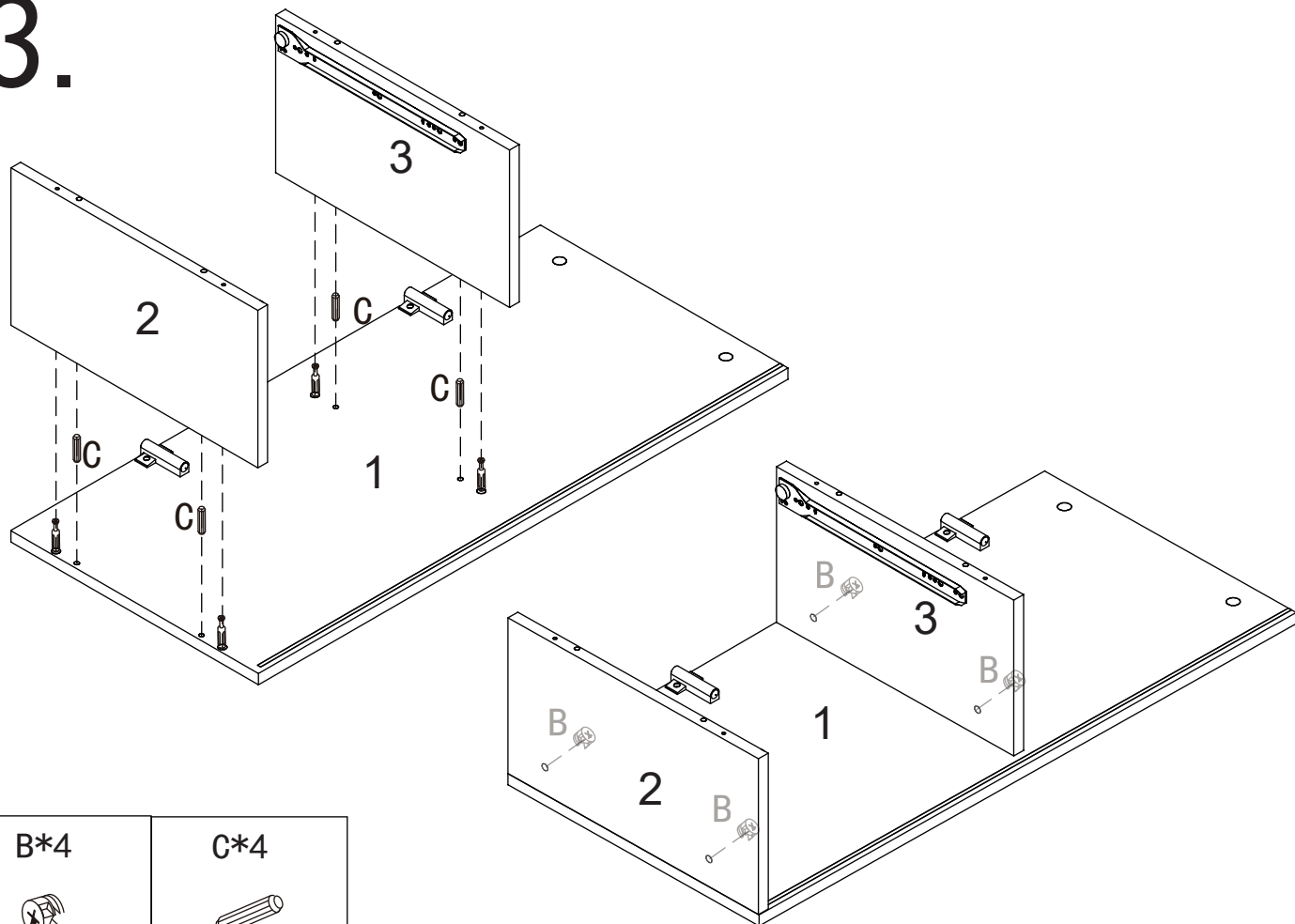
2.



A*14 	J*4  Ø 3.5 x 14 mm
--	--

G*2  G1	G-G1*2 
---	--

3.



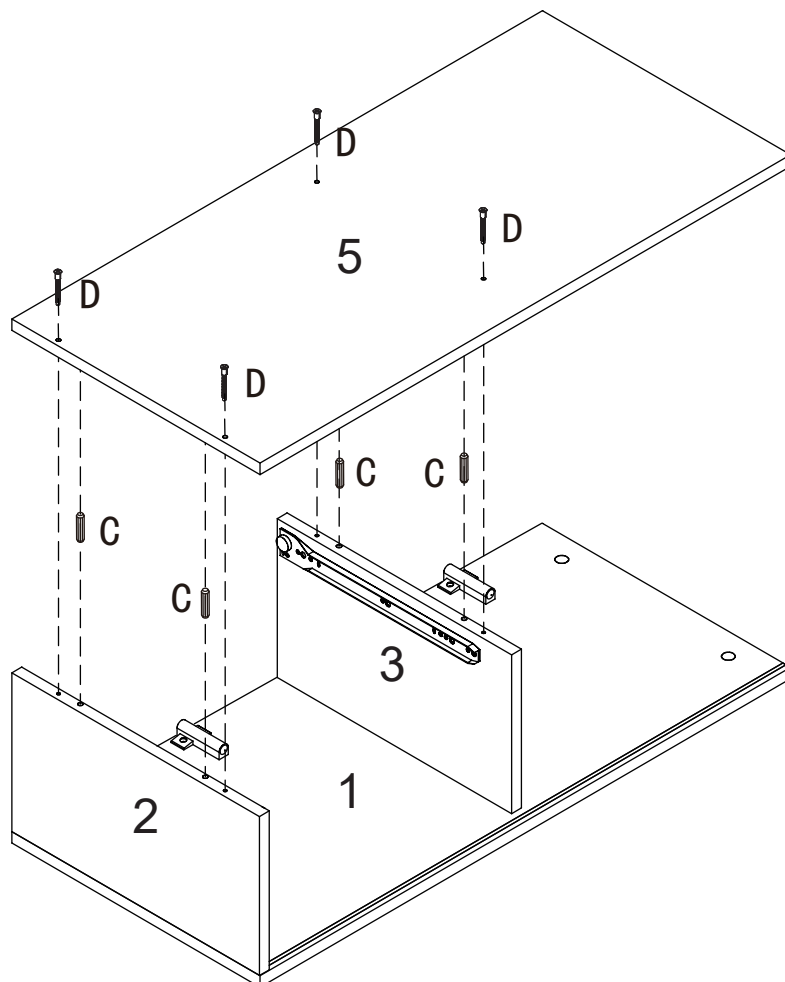
B*4



C*4



4.



C*4

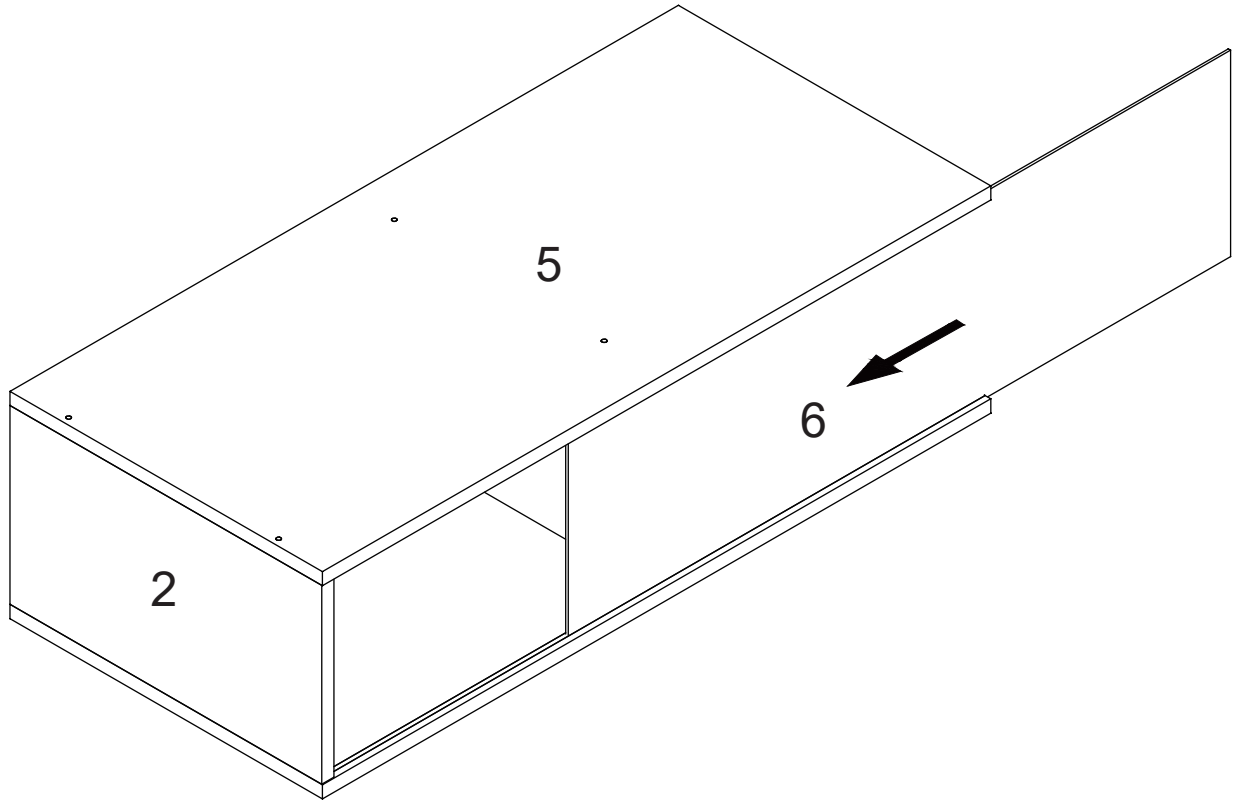


D*4

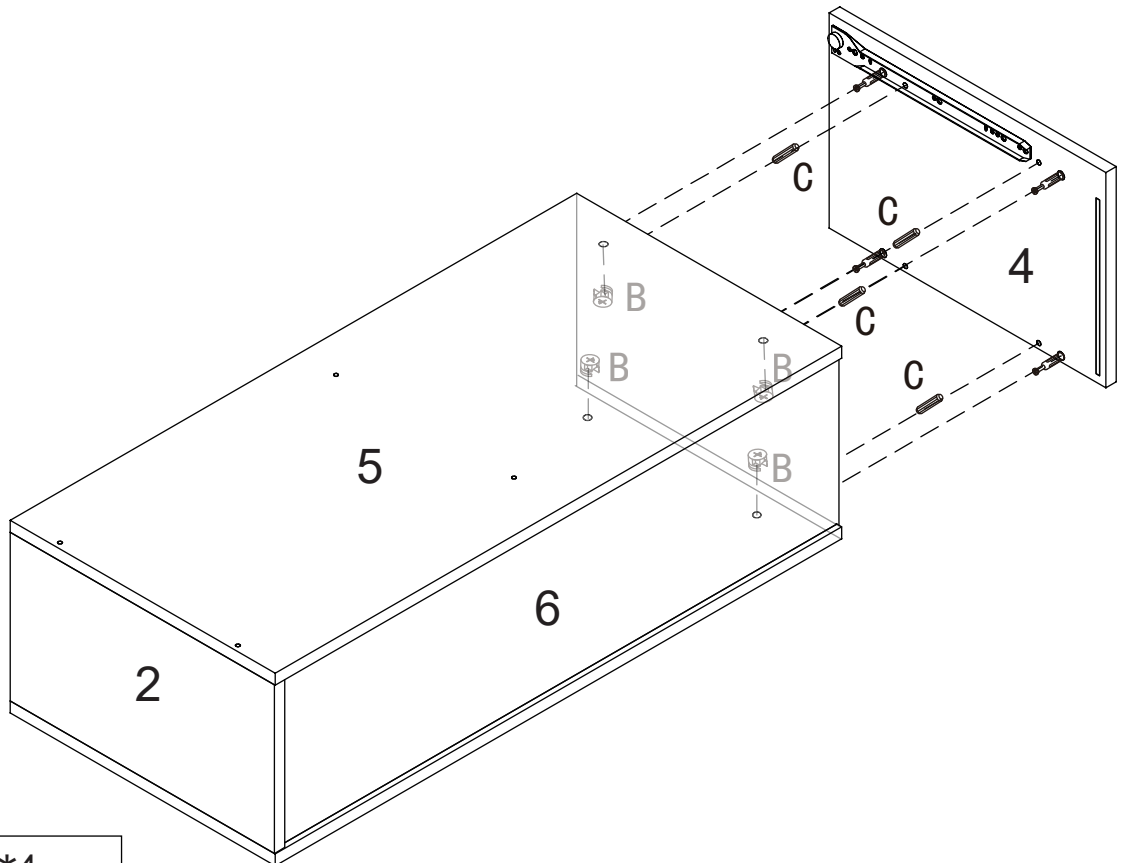


∅ 5 x 40 mm

5.



6.



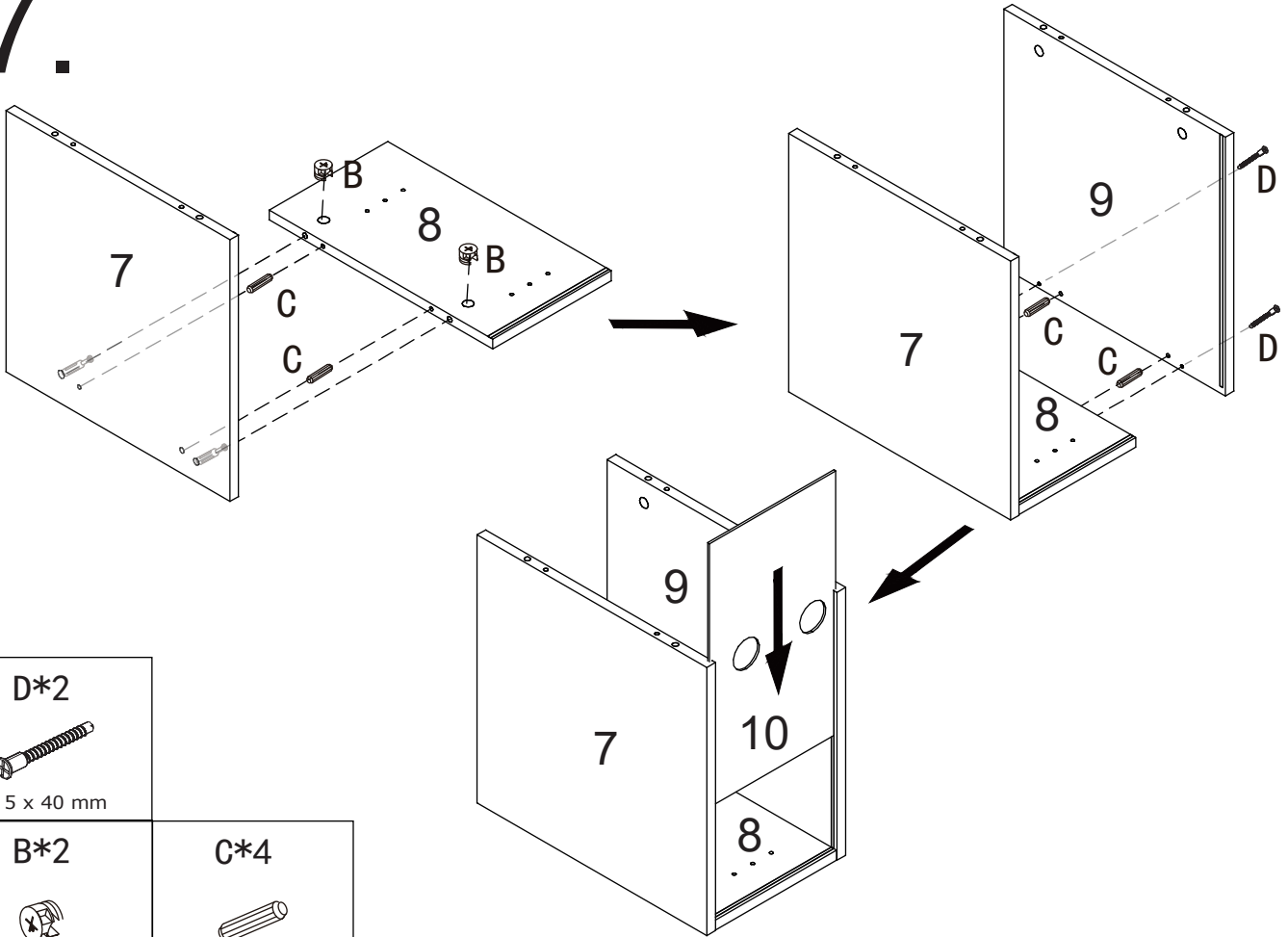
C*4





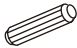
B*4



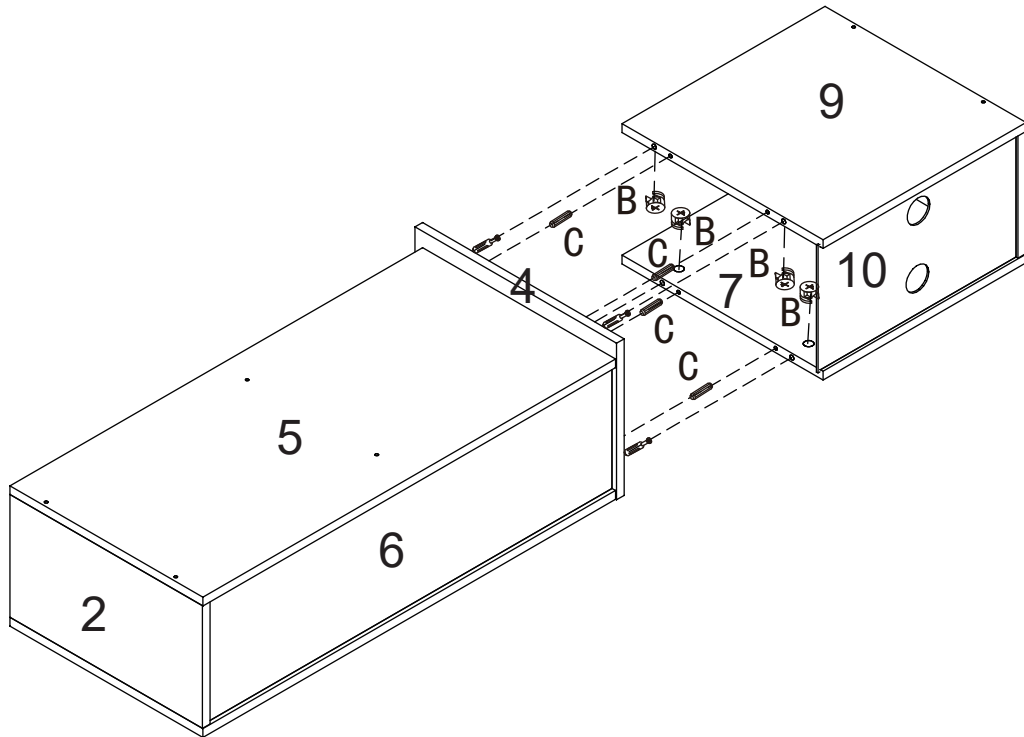
7.




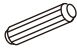
D*2  Ø 5 x 40 mm	B*2 
---	---

C*4 

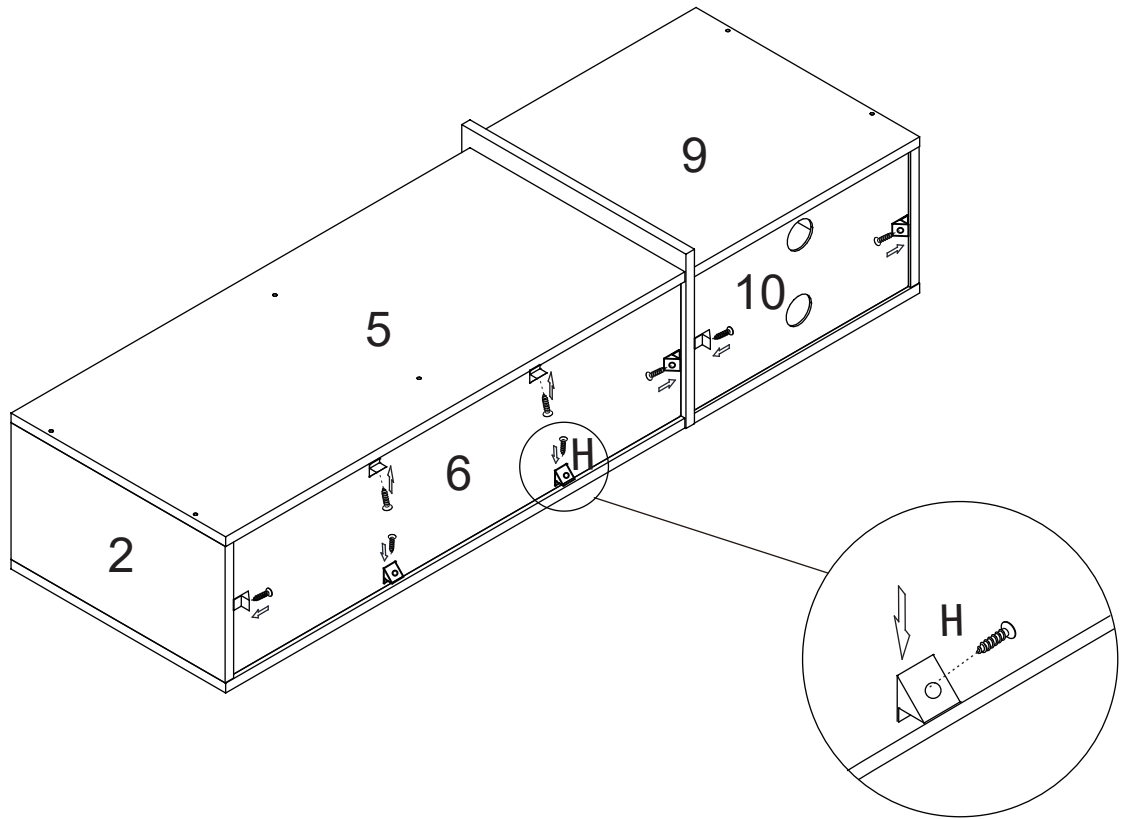
8.



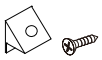
B*4 

C*4 

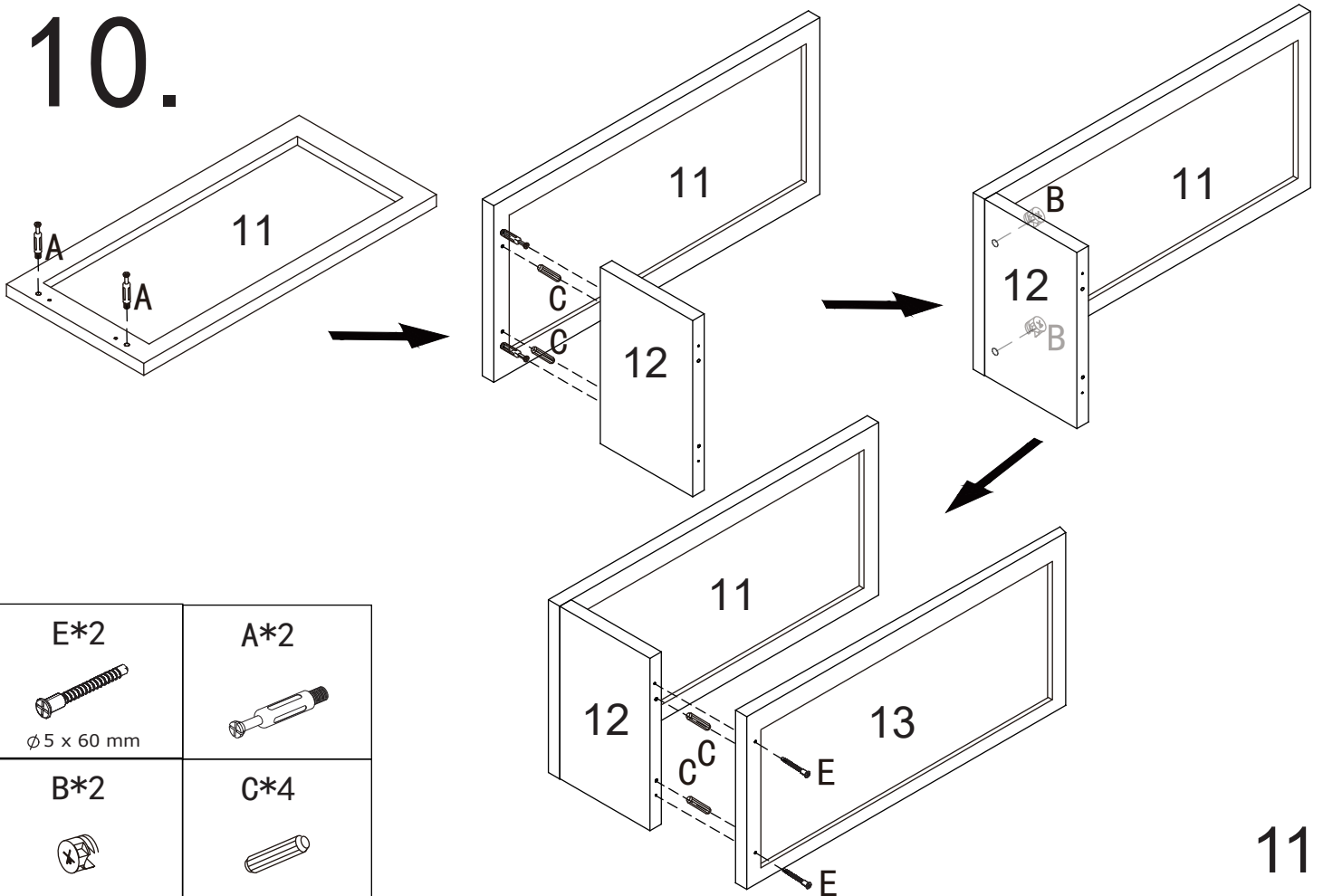
9.



H*8



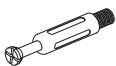
10.



E*2



A*2



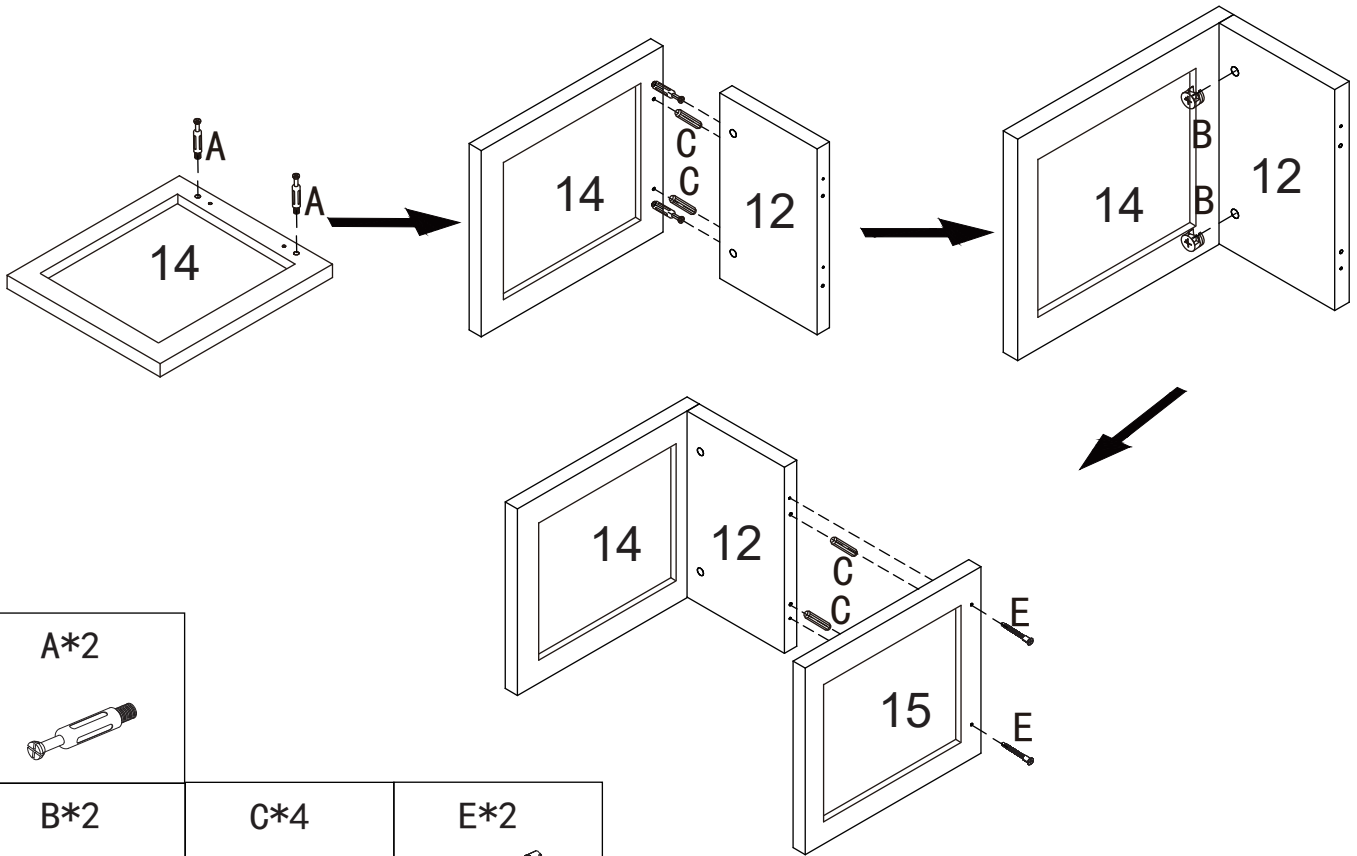
B*2







C*4



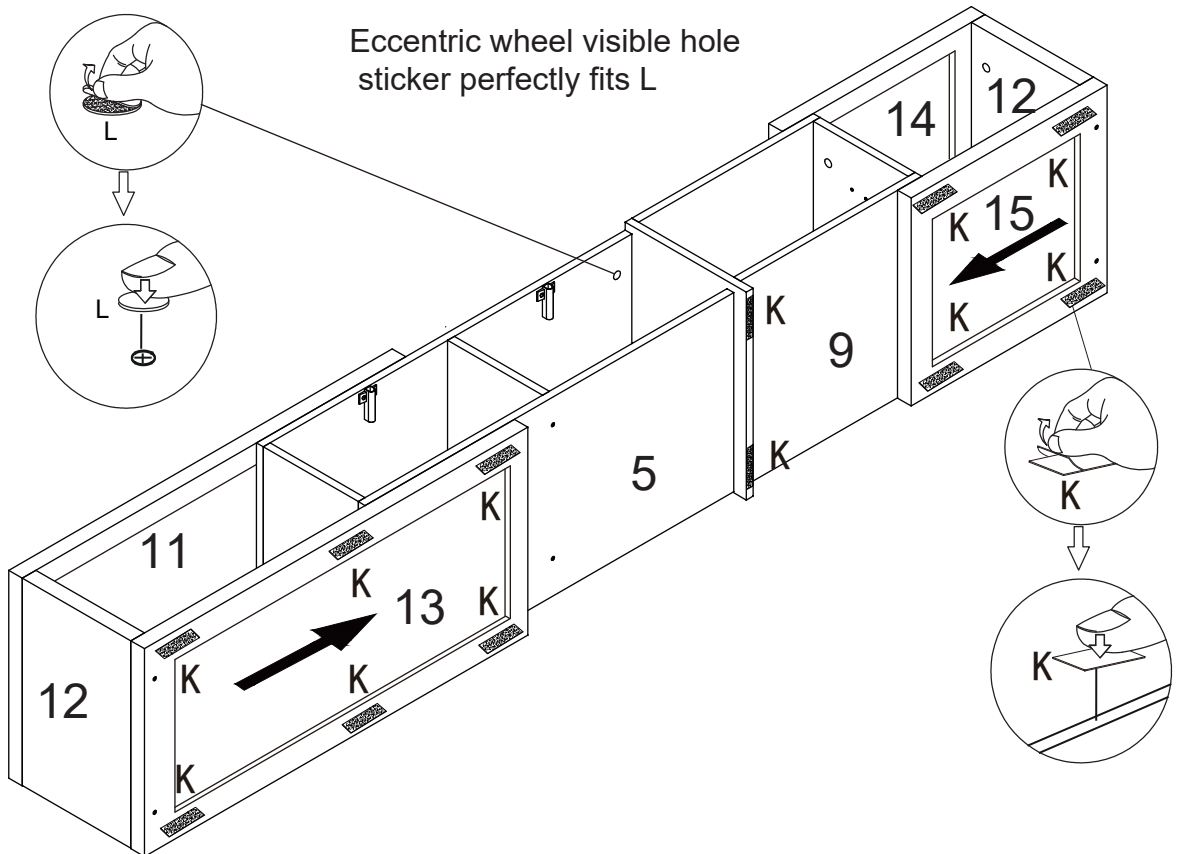
11.





<p>A*2</p> 		
<p>B*2</p> 	<p>C*4</p> 	<p>E*2</p>  <p>Ø 5 x 60 mm</p>

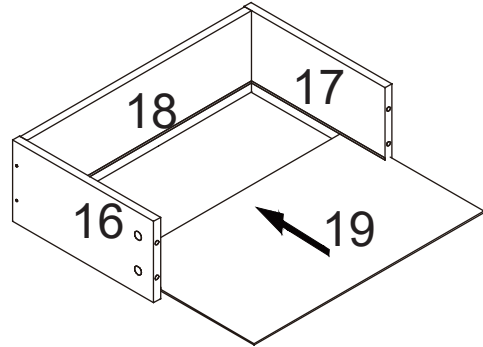
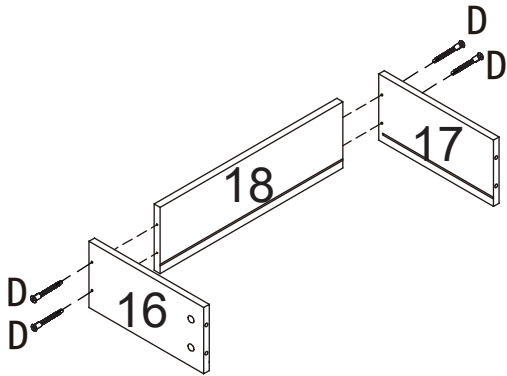
12.

Eccentric wheel visible hole sticker perfectly fits L



<p>L*18</p> 		
<p>K*12</p> 		

13. x2

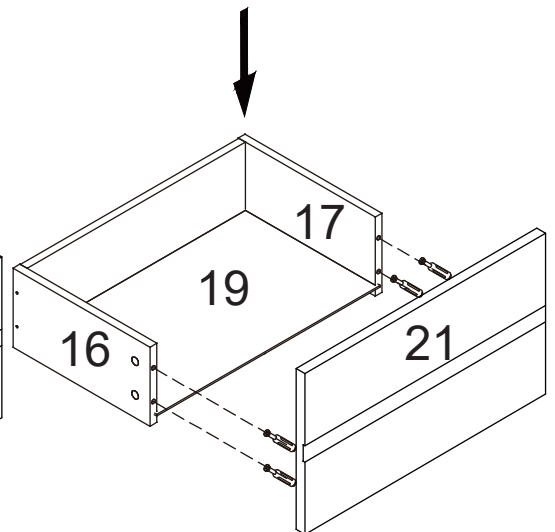
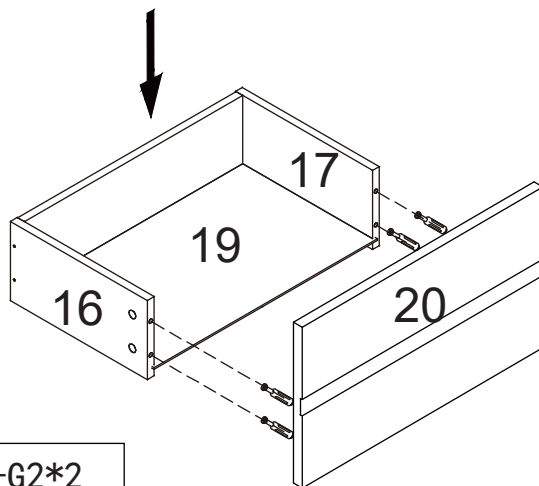
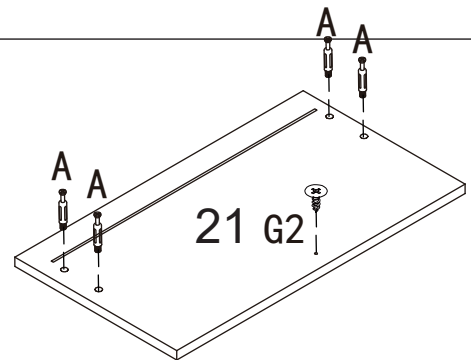
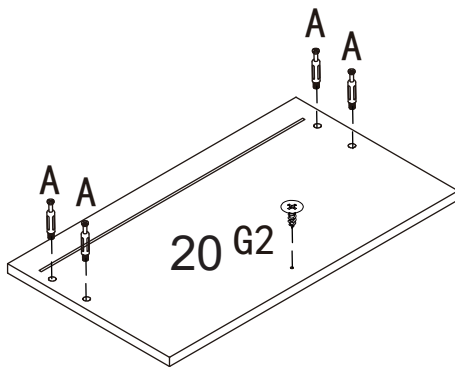


D*8

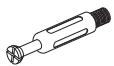


Ø 5 x 40 mm

14.



A*8



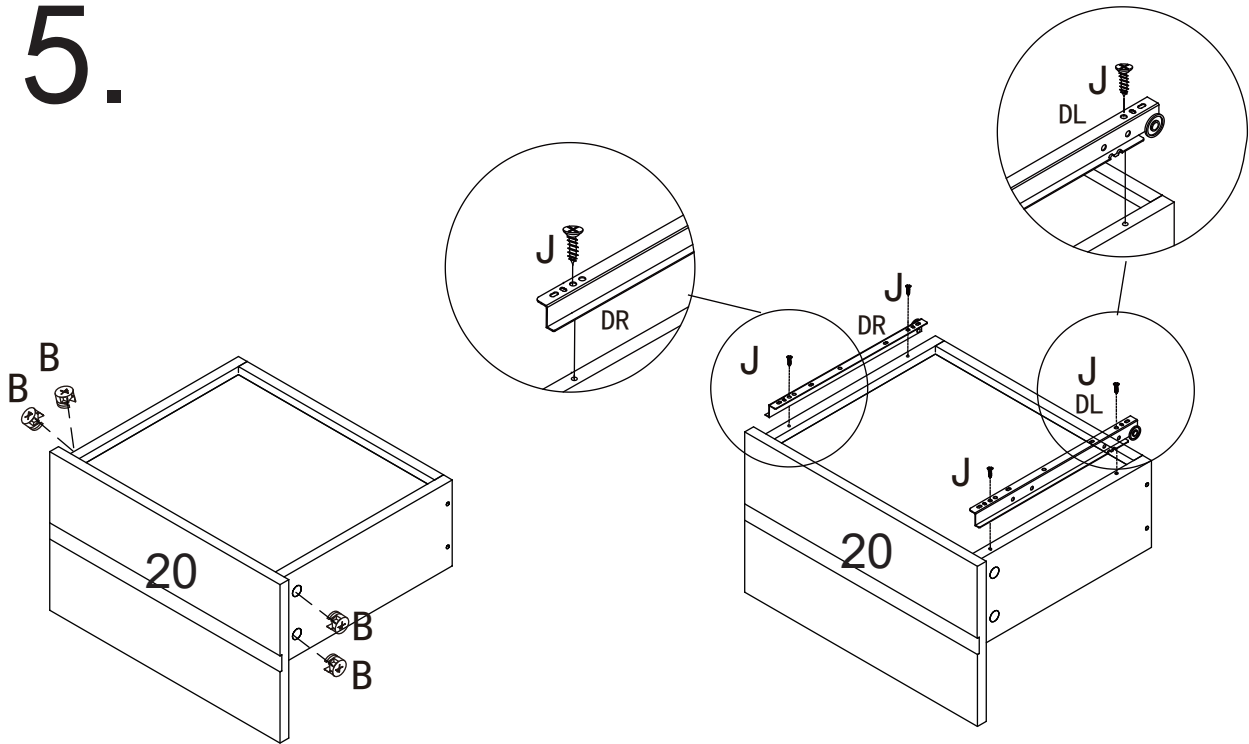
G*2



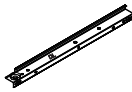
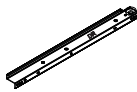


G-G2*2

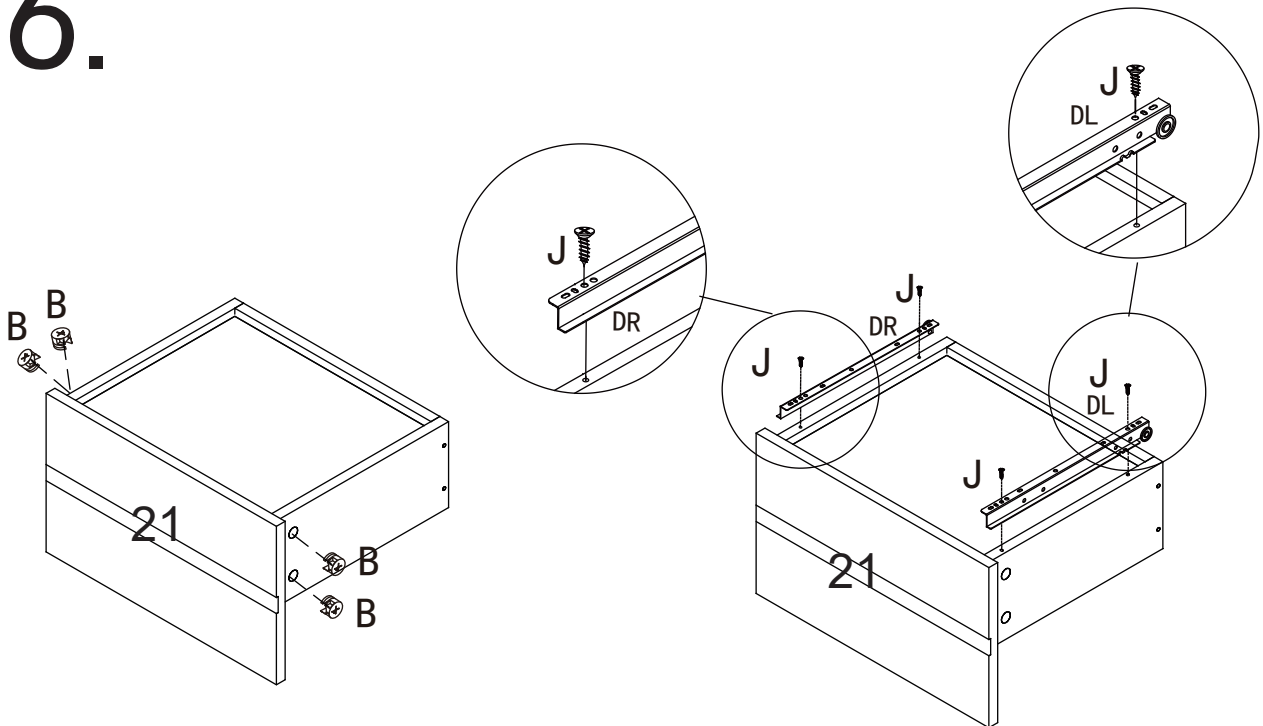






15.



B*4	J*4	F-DL*1	F-DR*1
	 Ø 3.5 x 14 mm	 300mm	 300mm

16.

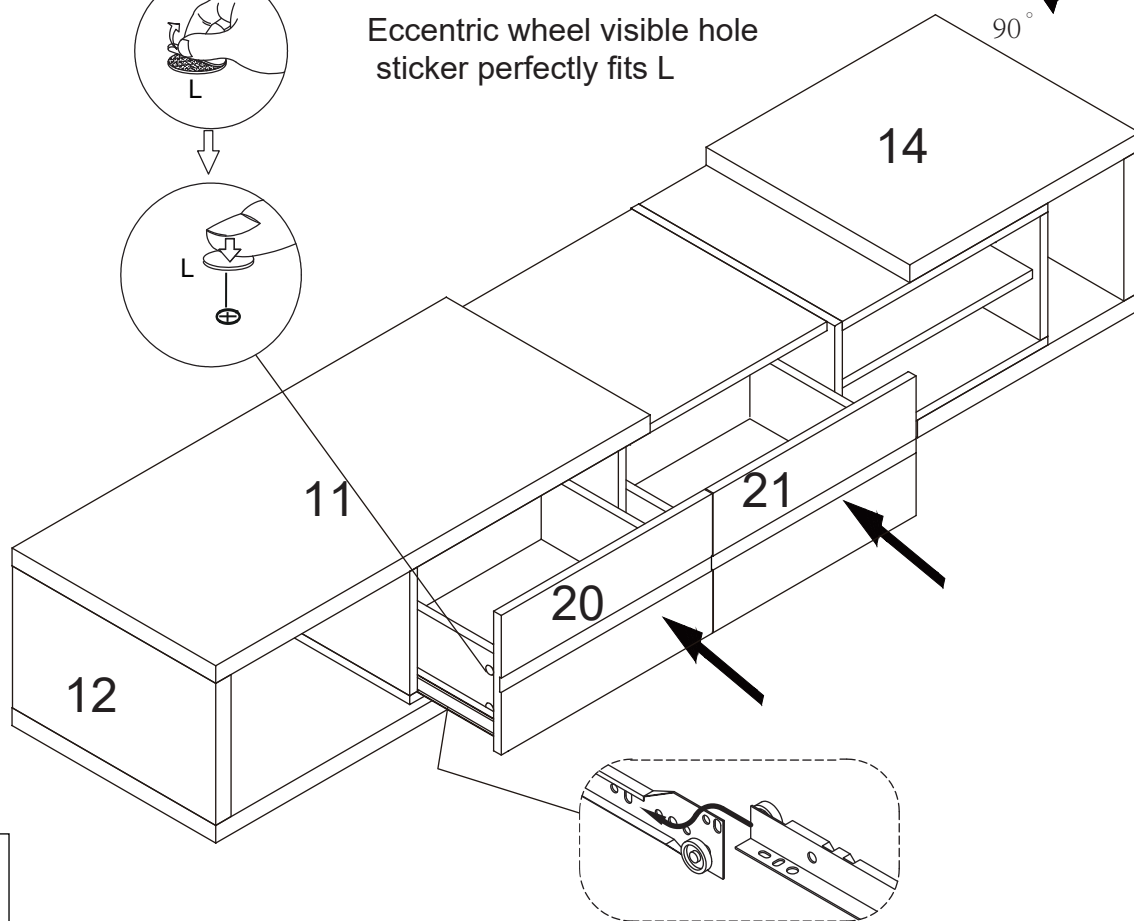
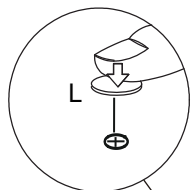


B*4	J*4	F-DL*1	F-DR*1
	 Ø 3.5 x 14 mm	 300mm	 300mm

17.



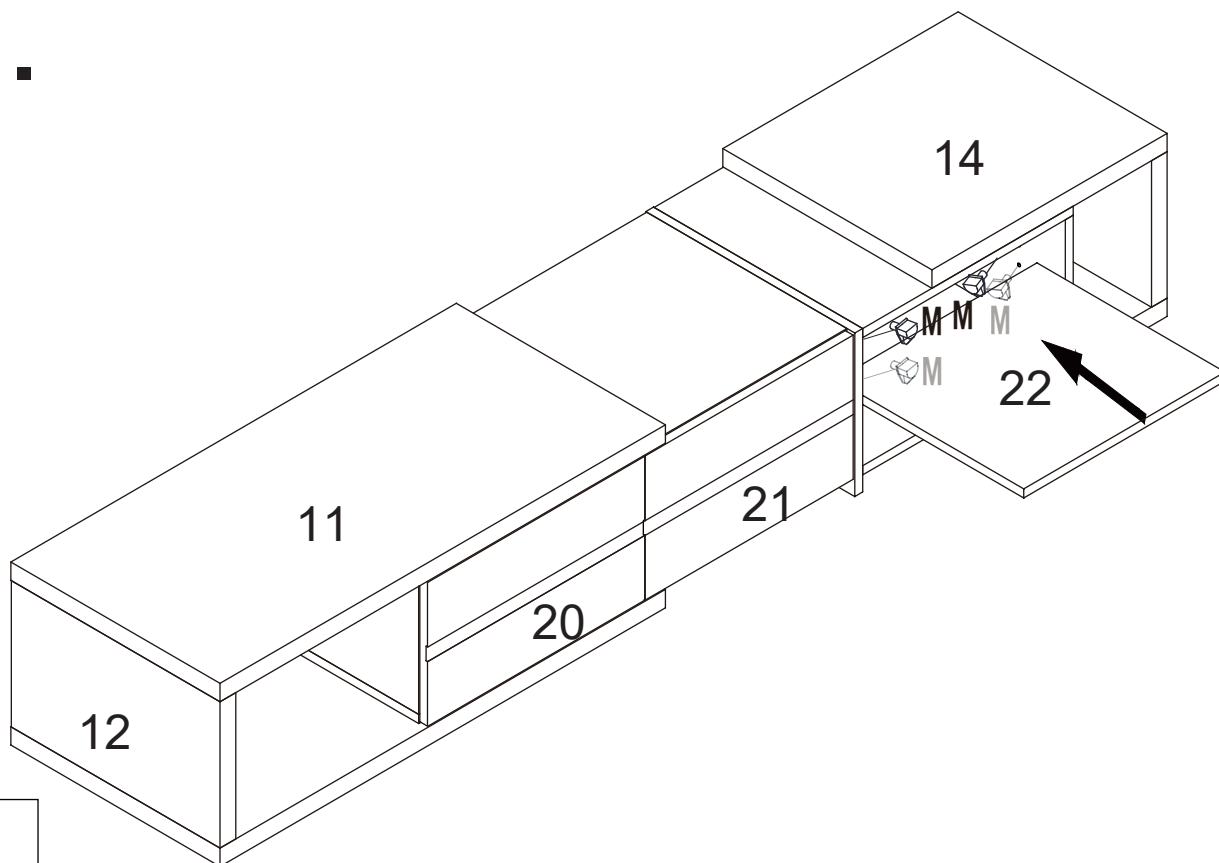
Eccentric wheel visible hole sticker perfectly fits L



L*8



18.



M*4



19.

