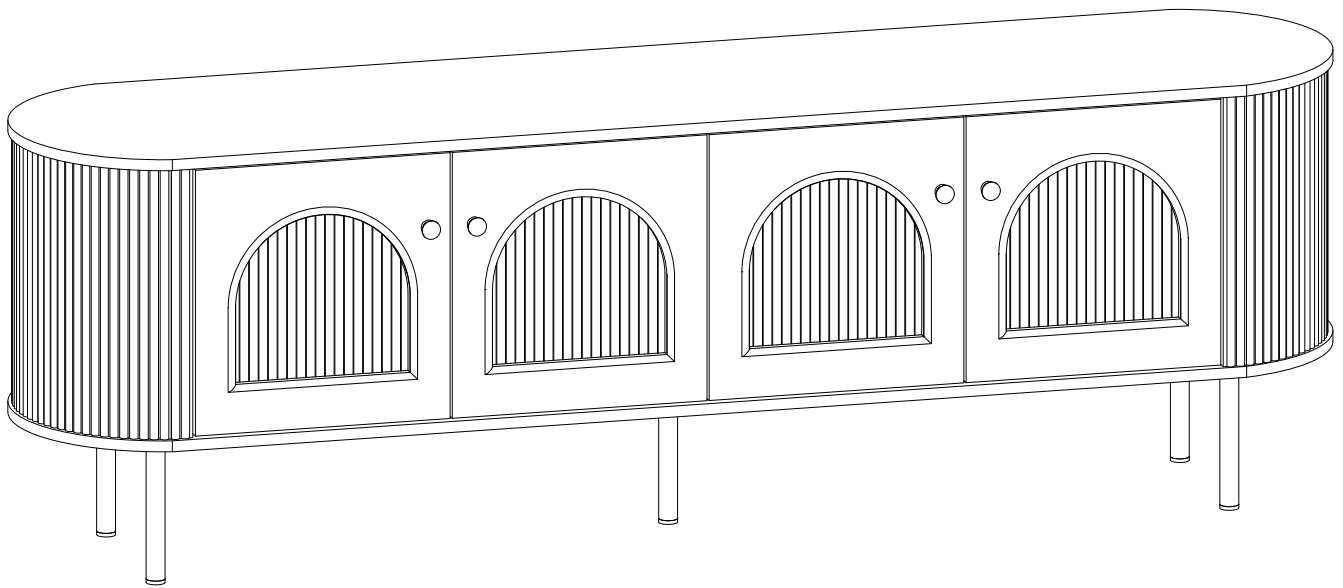


TV STAND-WF530744/WF530745

Assembly Instructions - Please keep for future reference.



DIMENSIONS

width - 70.87inch

Depth - 15.75inch

Height - 23.62inch

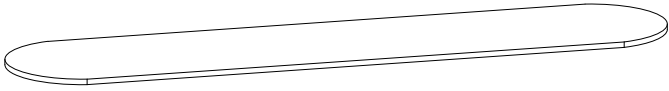

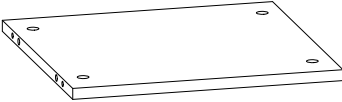
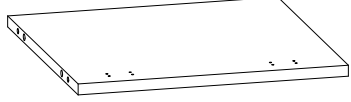
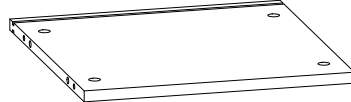
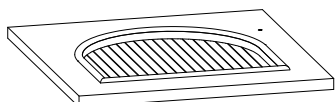
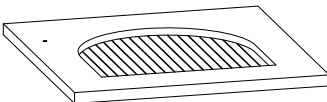
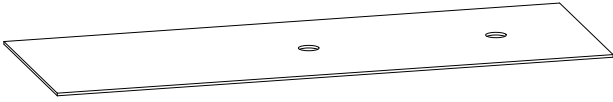

Important - Please read these instructions fully before starting assembly.

components - fittings

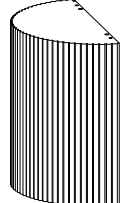
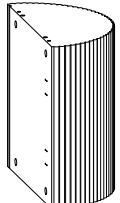
Please check you have all the panels listed below.

Note: The quantitie below are the correct amount to complete the assembly. In some cases more fittings may be supplied than are required.

WF530744 - Box:1/2

			
① x 1pc		② x 1pc	
			
⑤ x 1pc	⑥ x 1pc	⑦ x 1pc	⑧ x 2pcs
			
⑨ x 2pcs	⑩ x 1pc		⑪ x 1pc

WF530745 - Box:2/2

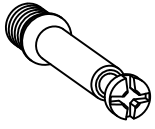





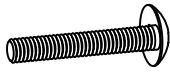



	
③ x 1pc	④ x 1pc

components - fittings

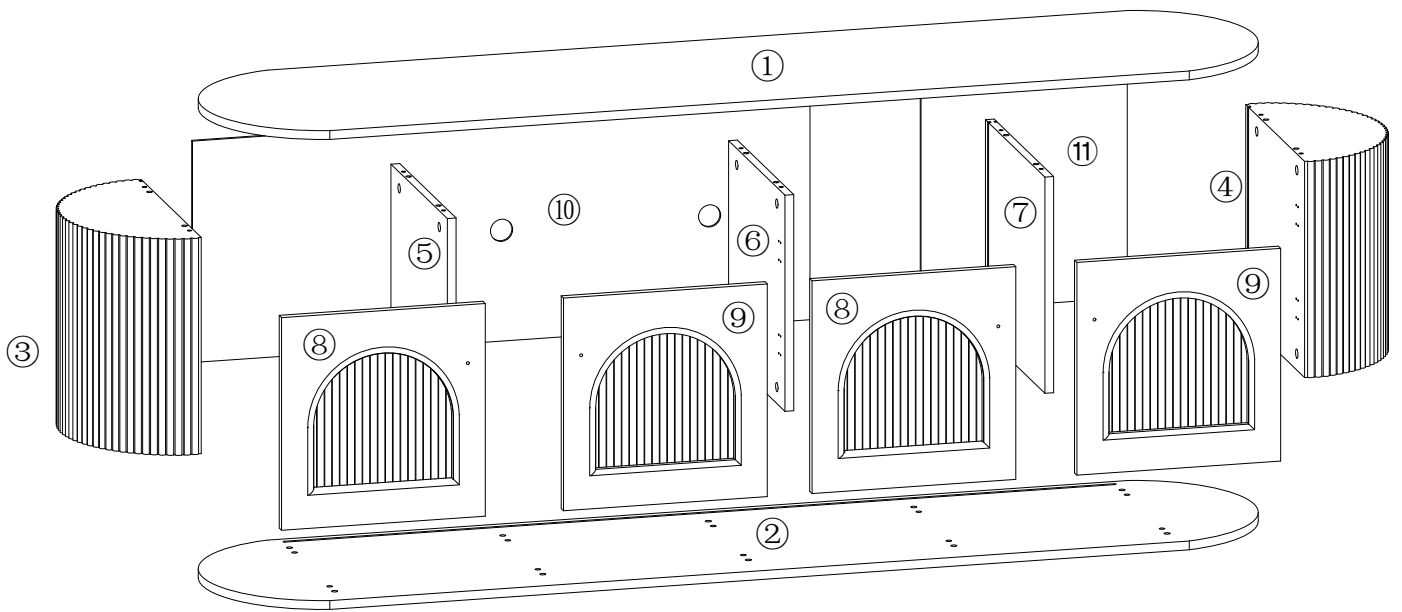
Please check you have all the panels listed below.

Note: The quantitie below are the correchet amount to complete the assembly. In some cases more fittings may be supplied than are required.

Hardware-Liste + WF530744 - Box:1/2

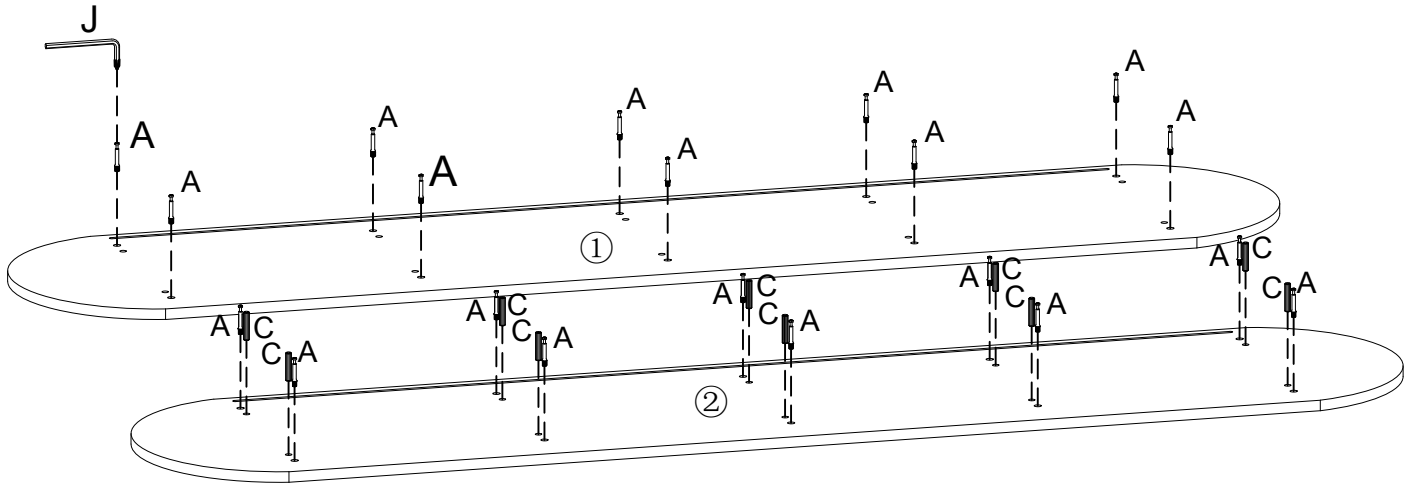
 <p>M6x35mm</p>	 <p>Φ15x9mm</p>	 <p>Φ8x30mm</p>	 <p>M4x12mm</p>
<p>A x 20pcs</p>	<p>B x 20pcs</p>	<p>C x 20pcs</p>	<p>D x 68pcs</p>
		 <p>M4x18mm</p>	
<p>E x 4pcs</p>	<p>F x 4pcs</p>	<p>G x 4pcs</p>	<p>H x 4pcs</p>
			
<p>I x 5pcs</p>	<p>J x 1pc</p>		




Assembly Instructions



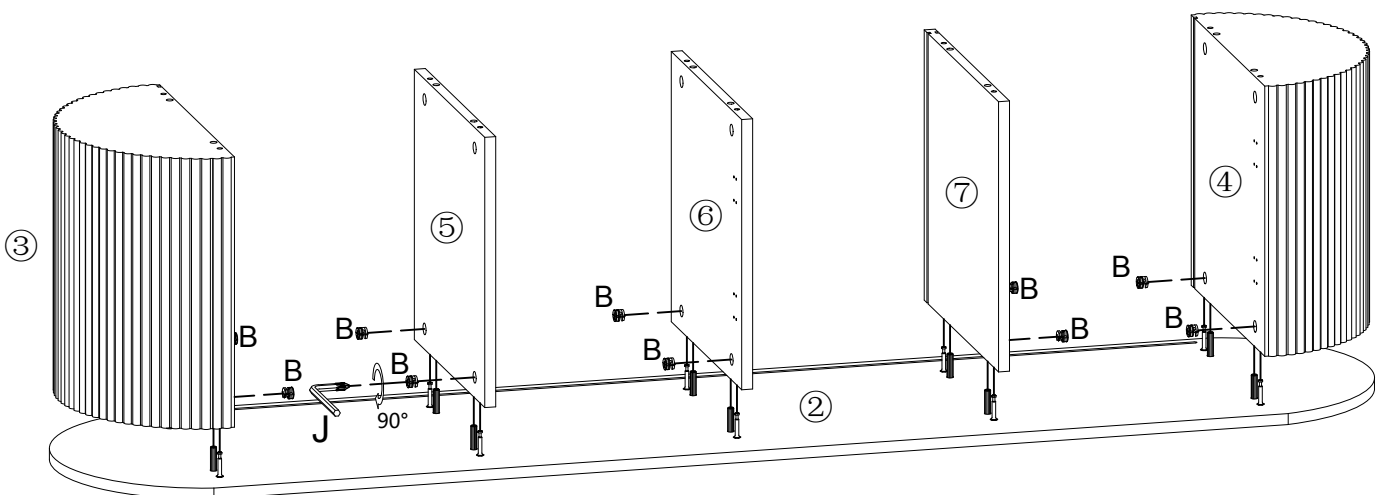
Assembly Instructions



STEP 1



		
A x20pcs	C x 10pcs	J x 1pc

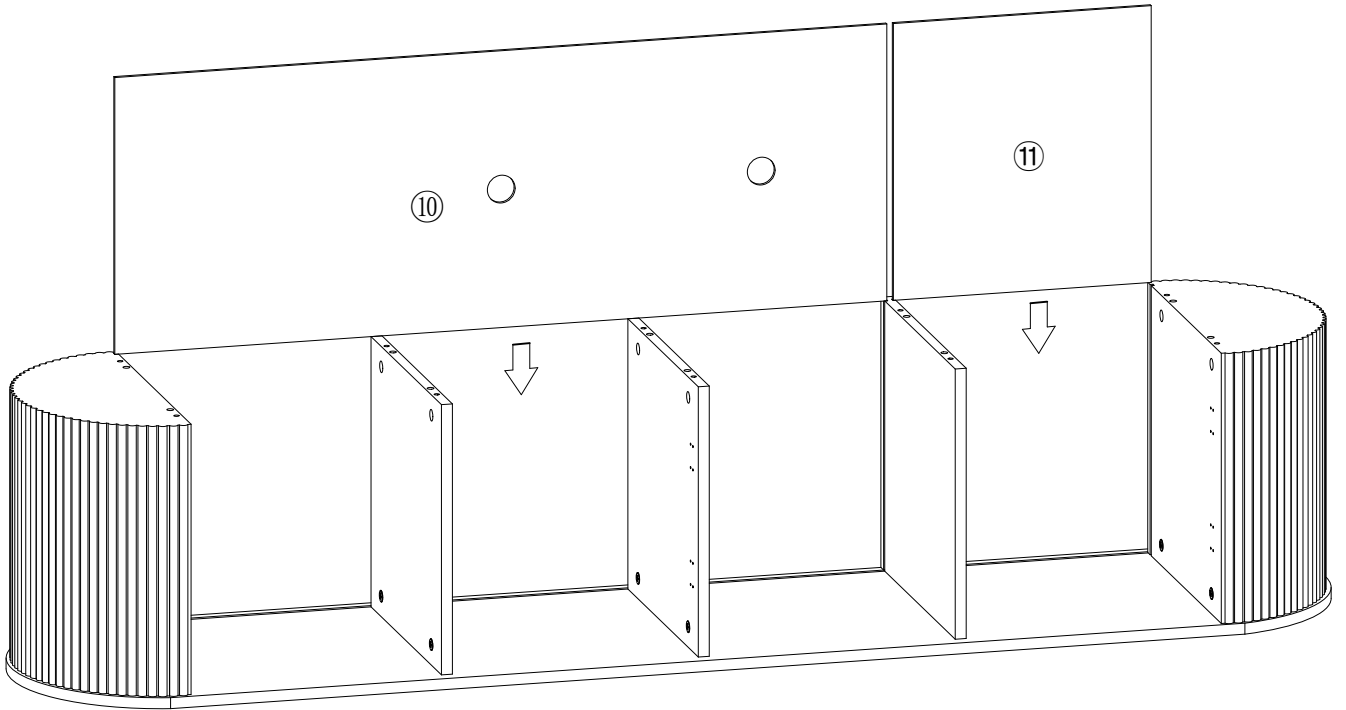
STEP 2



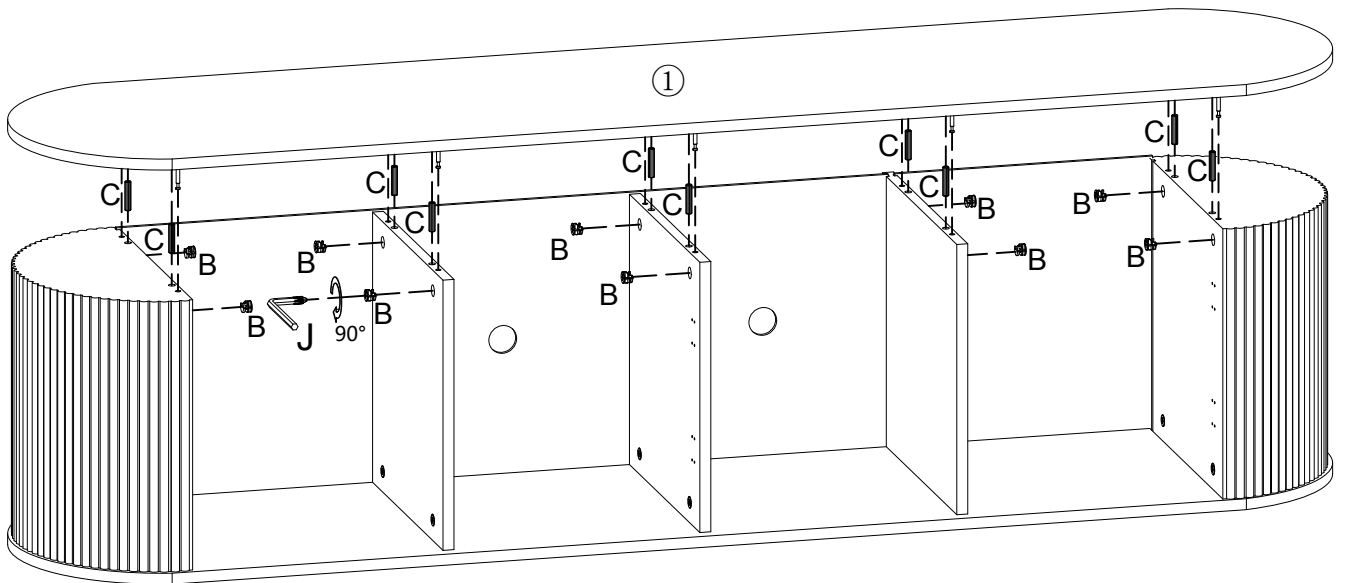
	
B x 10pcs	J x 1pc

Assembly Instructions

STEP 3



STEP 4



B x 10pcs



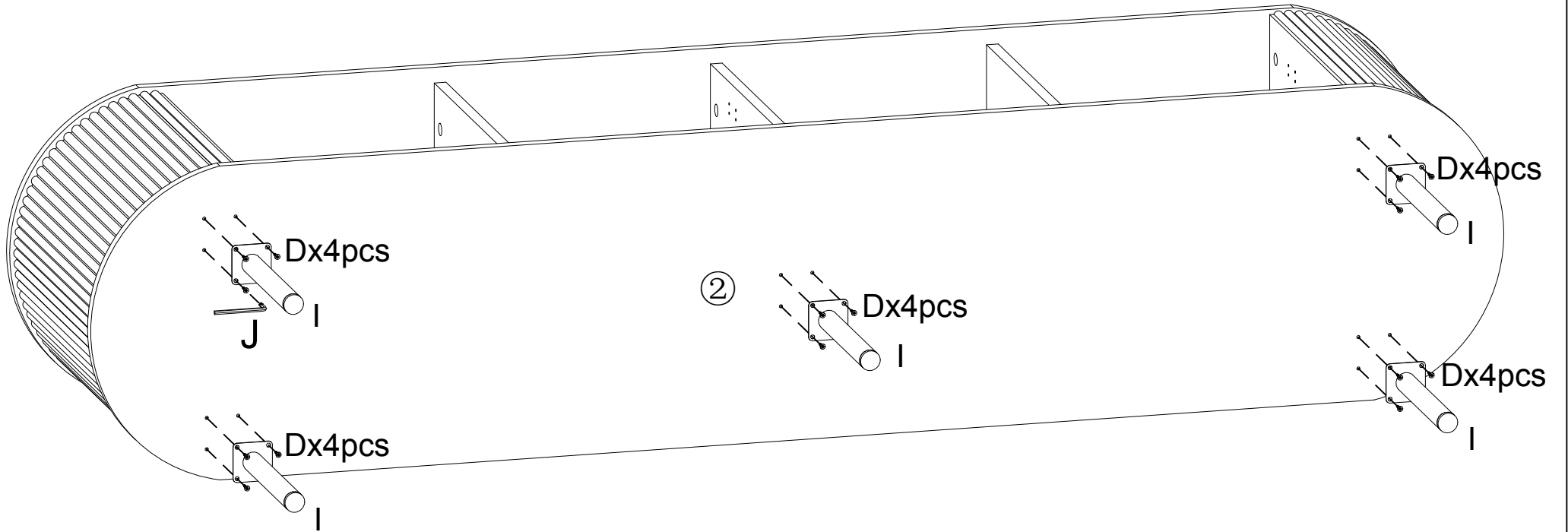
C x 10pcs






J x 1pc

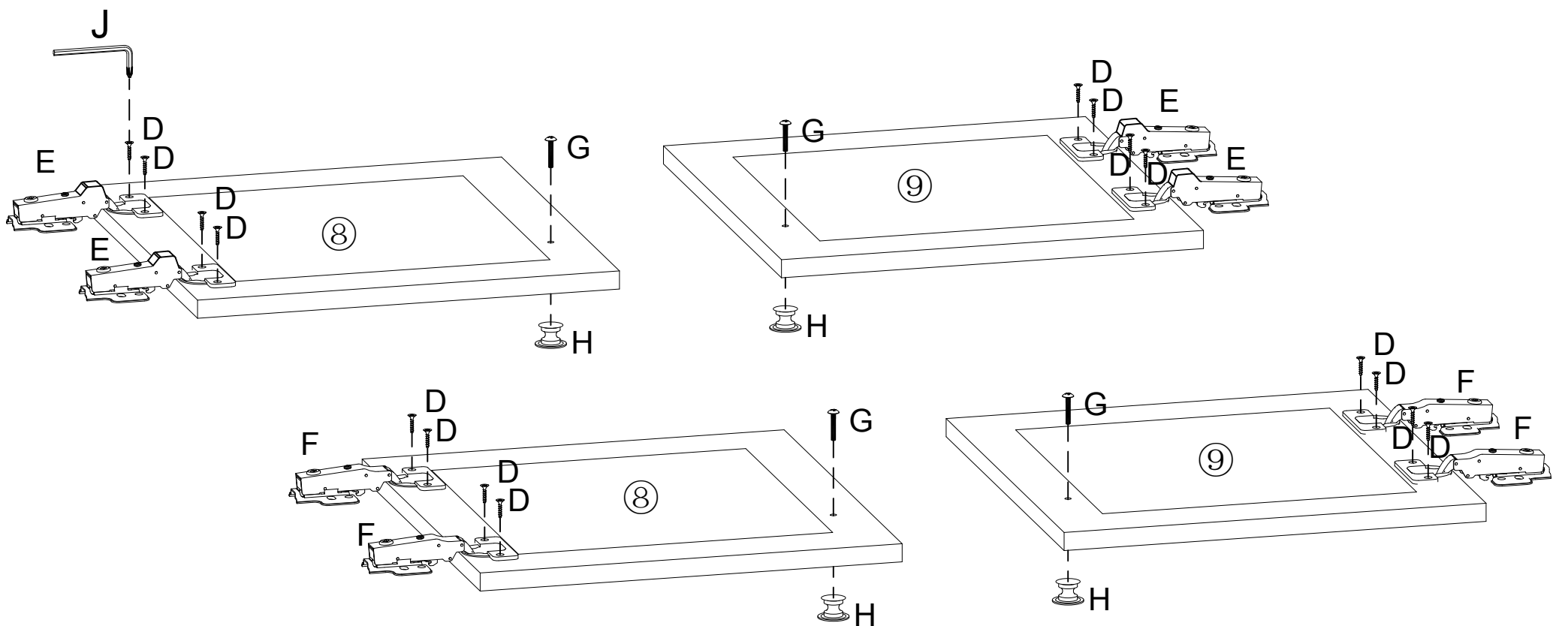
Assembly Instructions


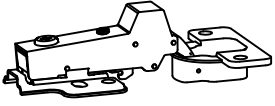
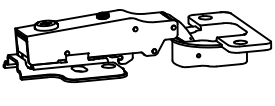

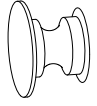
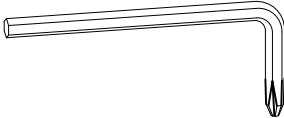
STEP 5



		
D x 20pcs	I x 5pcs	J x 1pc

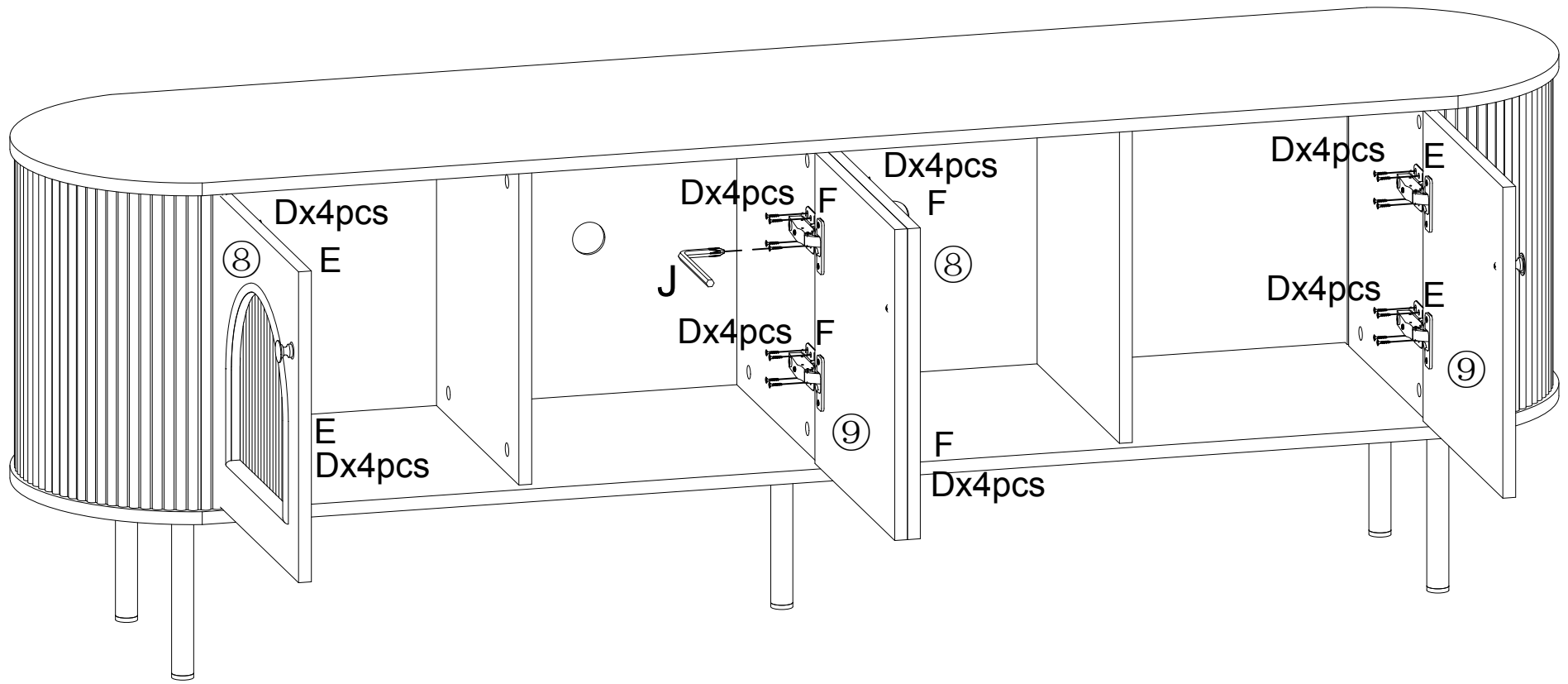
STEP 6





					
D x 16pcs	E x 4pcs	F x 4pcs	G x 4pcs	H x 4pcs	J x 1pc

Assembly Instructions

STEP 7



	
D x 32pcs	J x 1pc