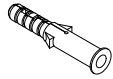


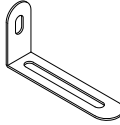
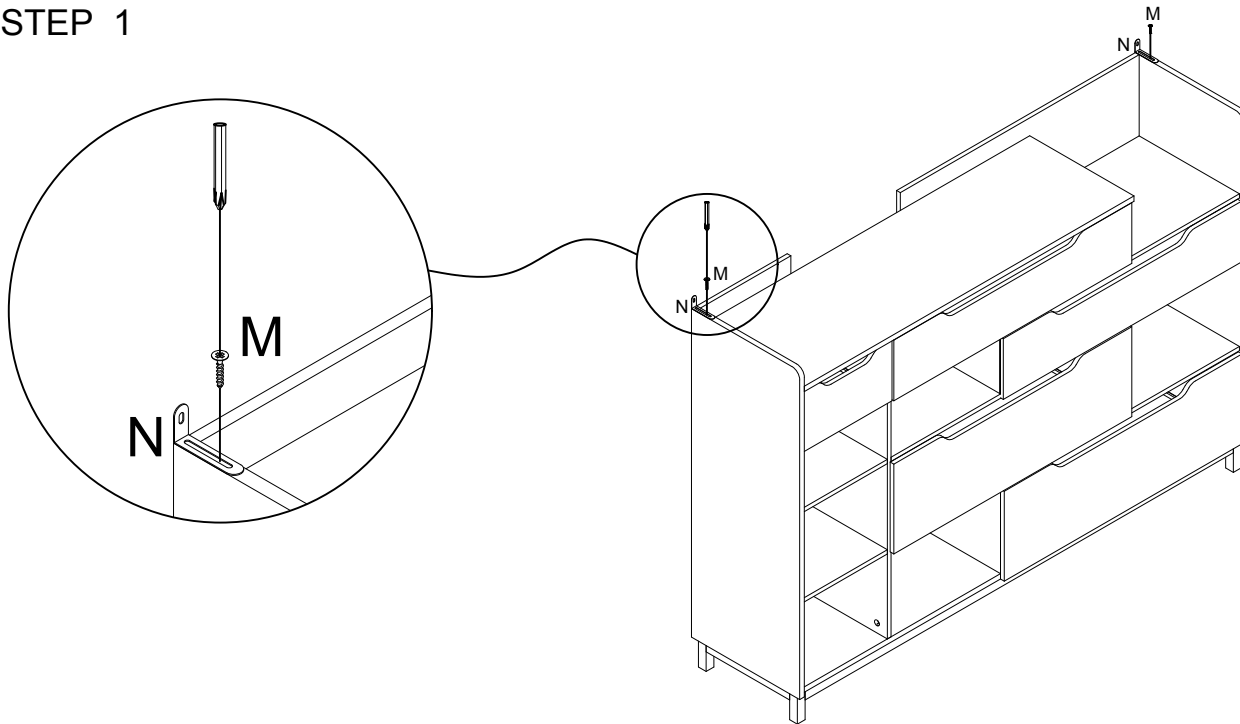


Installation instruction for Anti-tipping

Prevent dumping of spare parts

	 M4x35mm	 M4x16mm	
K x 2pcs	L x 2pcs	M x 2pcs	N x 2pcs

STEP 1



STEP 2

