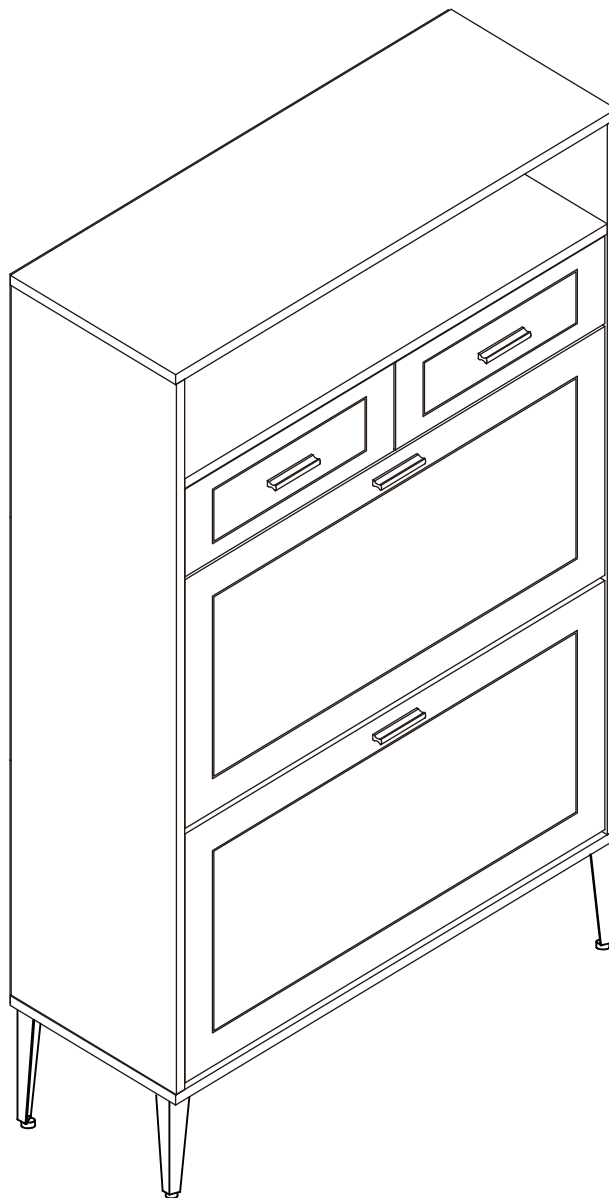


# Shoe Cabinet

Assembly Instructions - Please keep for future reference



## Dimensions

Width-31.5inch

Depth-11.8inch

Height-47.2inch

Important – Please read these instructions fully before starting assembly



# Safety and Care Advice

**Important – Please read these instructions fully before starting assembly**

- Check you have all the components and tools listed on the following pages.
- Remove all fittings from the plastic bags and separate them into their groups.
- Keep children and animals away from the work area, small parts could choke if swallowed.
- Make sure you have enough space to layout the parts before starting.

- During assembly do not stand or put weight on the product, this could cause damage.
- Assemble the item as close to its final position (in the same room) as possible.
- Assemble on a soft level surface to avoid damaging the unit or your floor.
- Parts of the assembly will be easier with 2 people.



- To reduce the likelihood of damaging your product please ensure that your power drill is set on a low torque setting.

## Care and maintenance

- Only clean using a damp cloth and mild detergent, do not use bleach or abrasive cleaners.
- From time to time check that there are no loose screws on this unit.
- This product should not be discarded with household waste. Take to your local authority waste disposal centre.

## Handy Hints

- Assemble all parts and bolts loosely during assembly, only once the product is complete should you fully tighten the bolts
- Regularly check and ensure that all bolts and fittings are tightened properly.

**WARNING**  
**In order to help prevent overturning – please follow these instructions**

To help prevent product toppling over please follow the below steps:-

- Use the anti tip strap or wall fixing method provided (if applicable)
- Do not allow children to climb or hang on the furniture
- Do not open more than one drawer at a time
- Do not place heavy items in the top drawers
- Do not place heavy items on top of the furniture, unless the furniture has been designed for this purpose

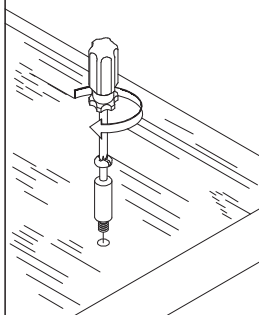
# Using Camlocks

## Step 1

Connect the male camlock as directed in the assembly instructions using a screwdriver.

1

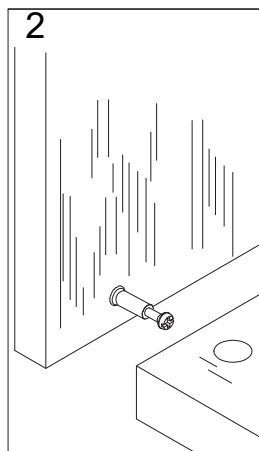
DO NOT OVER TIGHTEN.  
NE PAS SERRER EXCESSIVEMENT.



## Step 2

Push the male camlock into the entry hole.

2

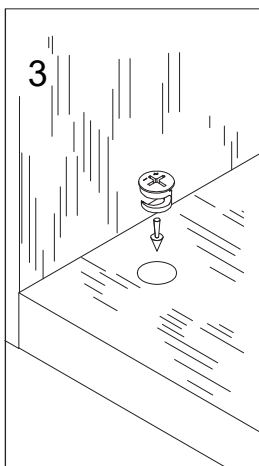


## Step 3

Insert the female camlock as shown in the instruction.

Note: ensure that the arrow on the top of the camlock points towards the entry hole for the male camlock.

3



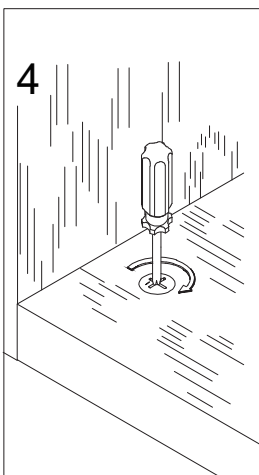
## Step 4

Turn the female camlock clockwise with a screwdriver.

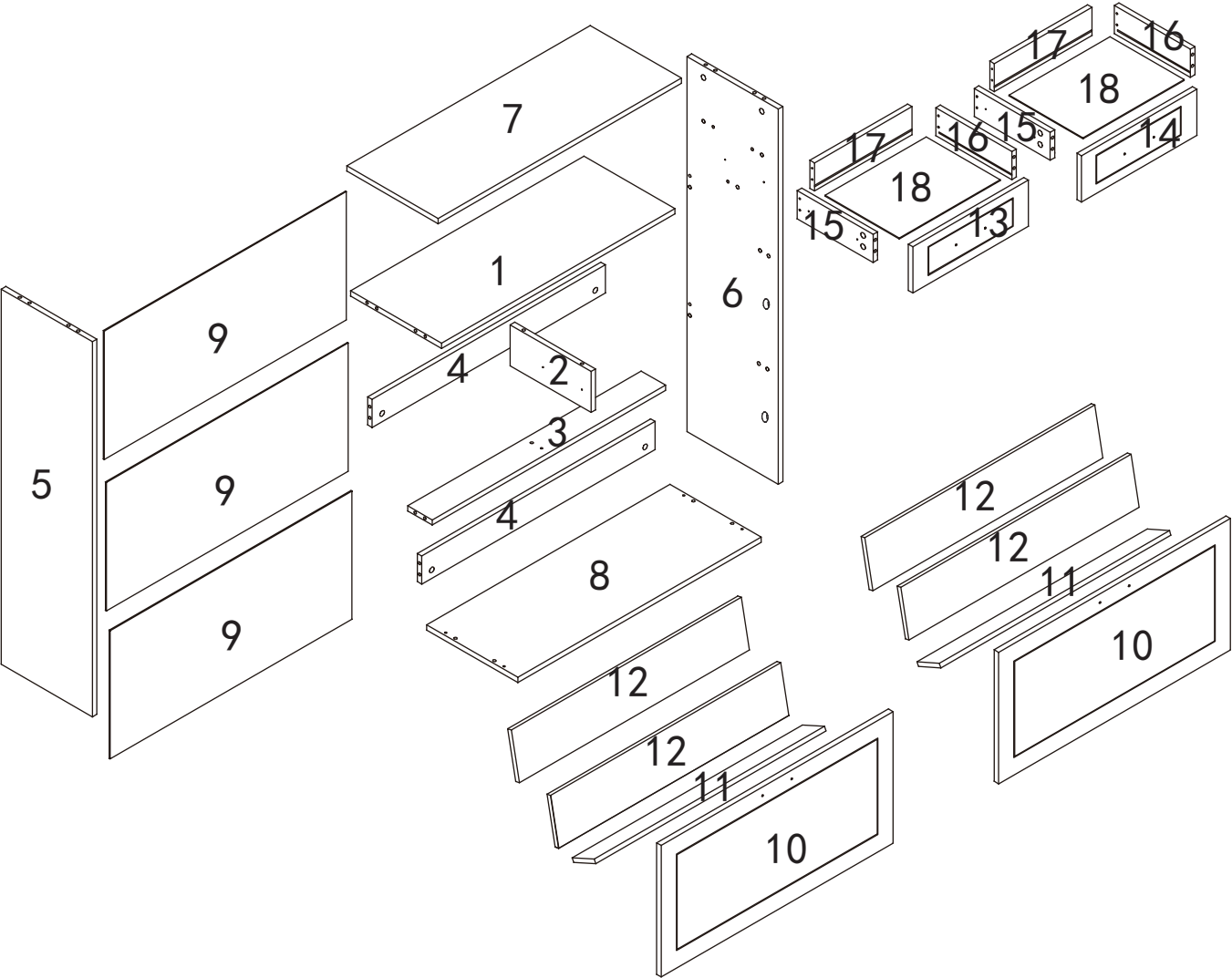
You should feel a click when the camlock is locked in place.

The joint is now secure.

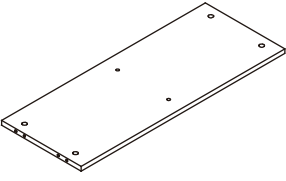
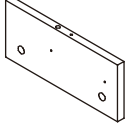
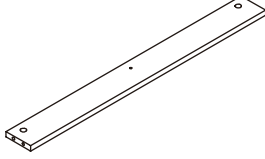
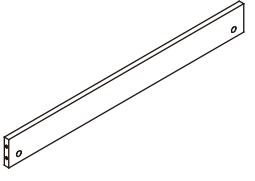
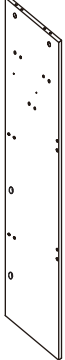
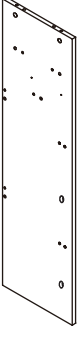
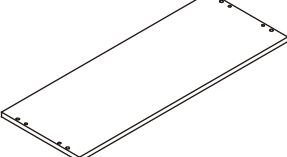
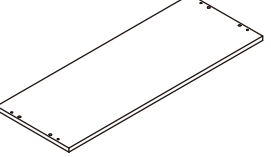
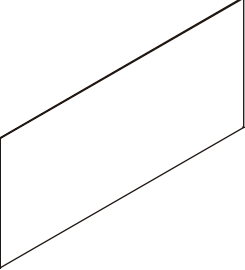
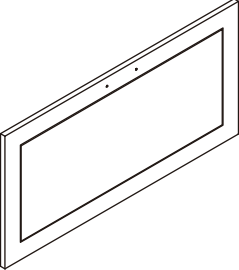
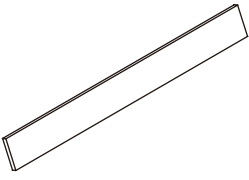
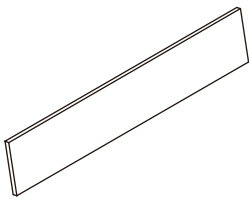
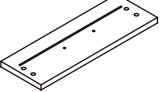
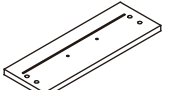
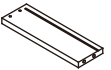
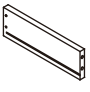
4



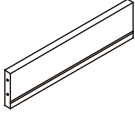
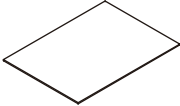
# Assembly Instructions



# Assembly Instructions

			
① x 1	② x 1	③ x 1	④ x 2
			
⑤ x 1	⑥ x 1	⑦ x 1	⑧ x 1
			
⑨ x 3	⑩ x 2	⑪ x 2	⑫ x 4
			
⑬ x 1	⑭ x 1	⑮ x 2	⑯ x 2

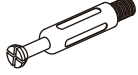

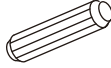

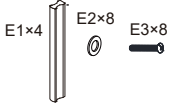
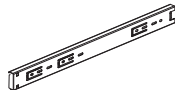
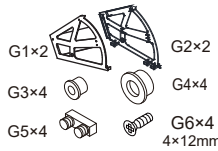
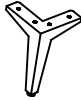
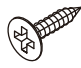
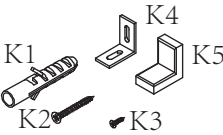
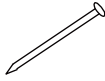

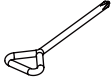
# Assembly Instructions

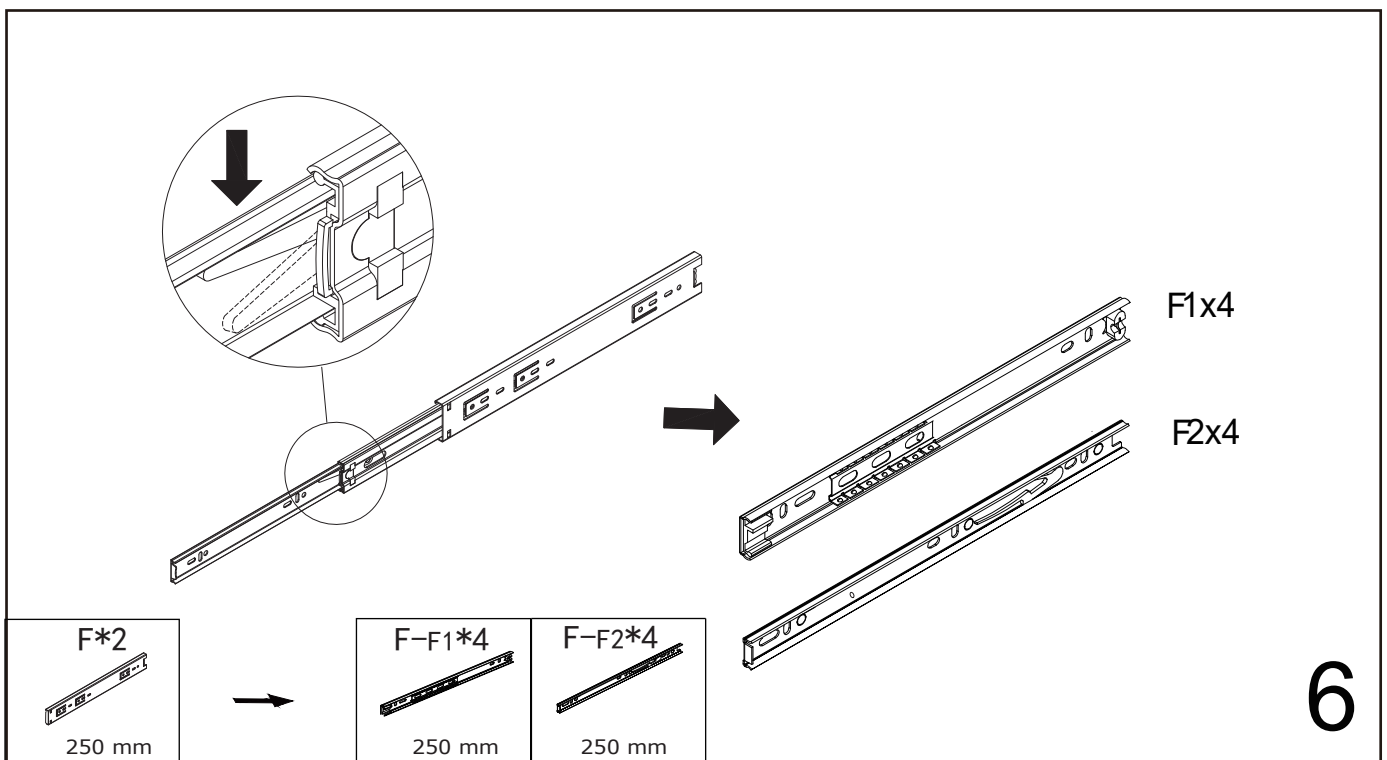
			
①7 x 2	①8 x 2		

# Components-Fittings

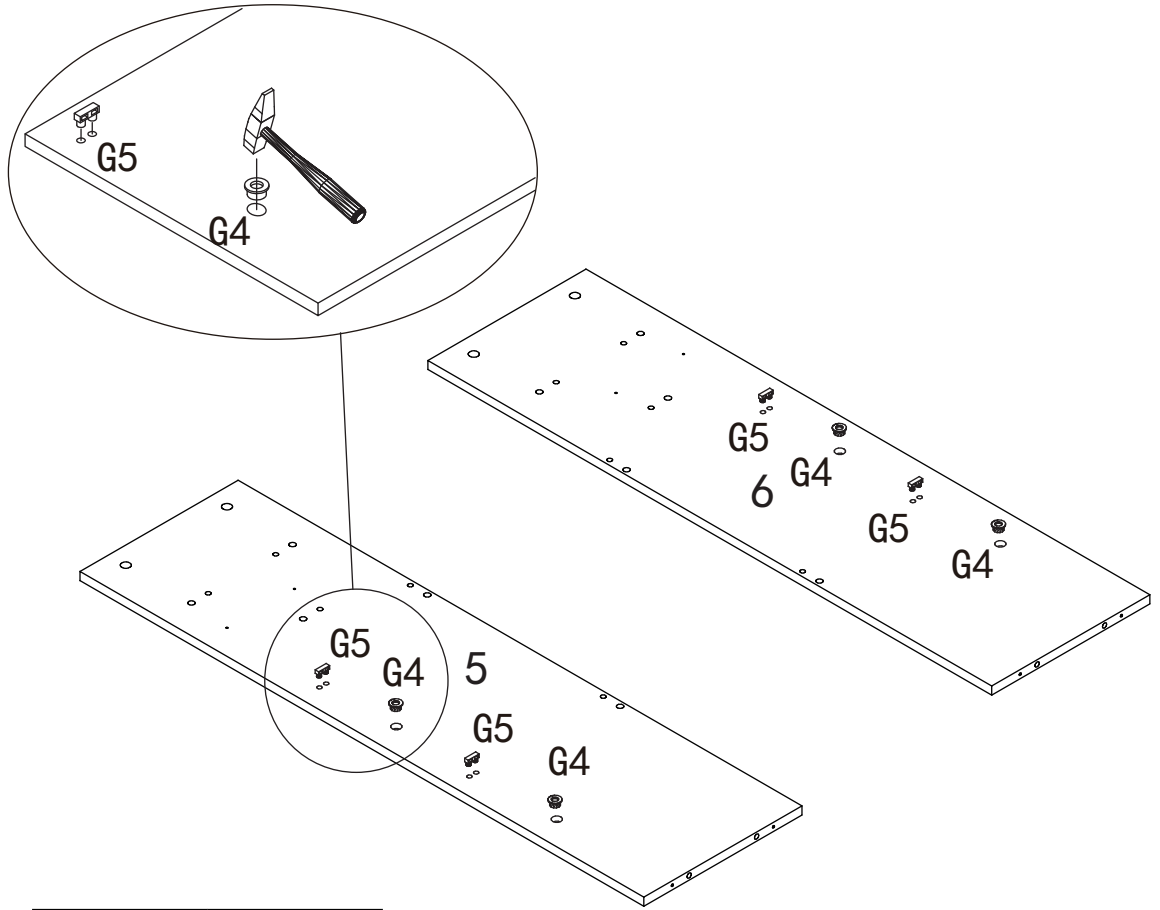
Please check you have all the panels listed below

Note: The quantities below are the correct amount to complete the assembly. In some cases more fittings may be supplied than are required.

<p><b>(A)</b></p>  <p>Cam Bolt x 24+1</p>	<p><b>(B)</b></p>  <p>Cam Lock x 24+1</p>	<p><b>(C)</b></p>  <p>8*30mm Dowel x 19+1</p>	<p><b>(D)</b></p>  <p>5*40mm Screw x 13+1</p>
<p><b>(E)</b></p>  <p>Hole Pitch Handle x 4 set</p>	<p><b>(F)</b></p>  <p>250mm x 2 set</p>	<p><b>(G)</b></p>  <p>Tipping shoe rack x 2set</p>	<p><b>(H)</b></p>  <p>100mm x 4</p>
<p><b>(J)</b></p>  <p>3.5*14mm Screw x 56+3</p>	<p><b>(K)</b></p>  <p>Anti dumping x 2 set</p>	<p><b>(L)</b></p>  <p>Light Belt x 42+3</p>	<p><b>(M)</b></p>  <p>Perfect sticker x 4+2</p>
<p><b>(N)</b></p>  <p>Screwdriver x 1</p>			

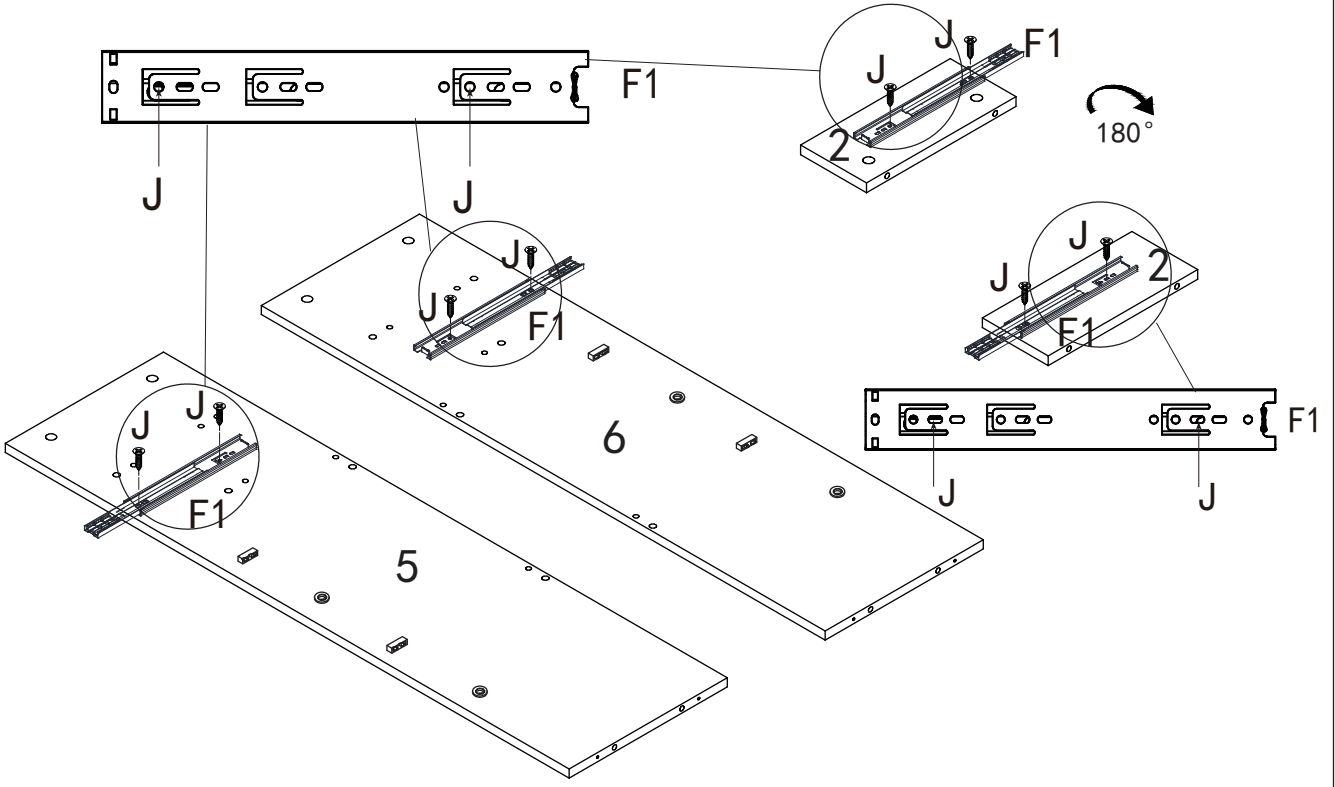


# 1.



<b>G*2</b> G1*2 G2*2 G3*4 G4*4 G5*4 4*12mm	<b>G-G4*4</b> 	<b>G-G5*4</b> 
--	-------------------	-------------------

# 2.

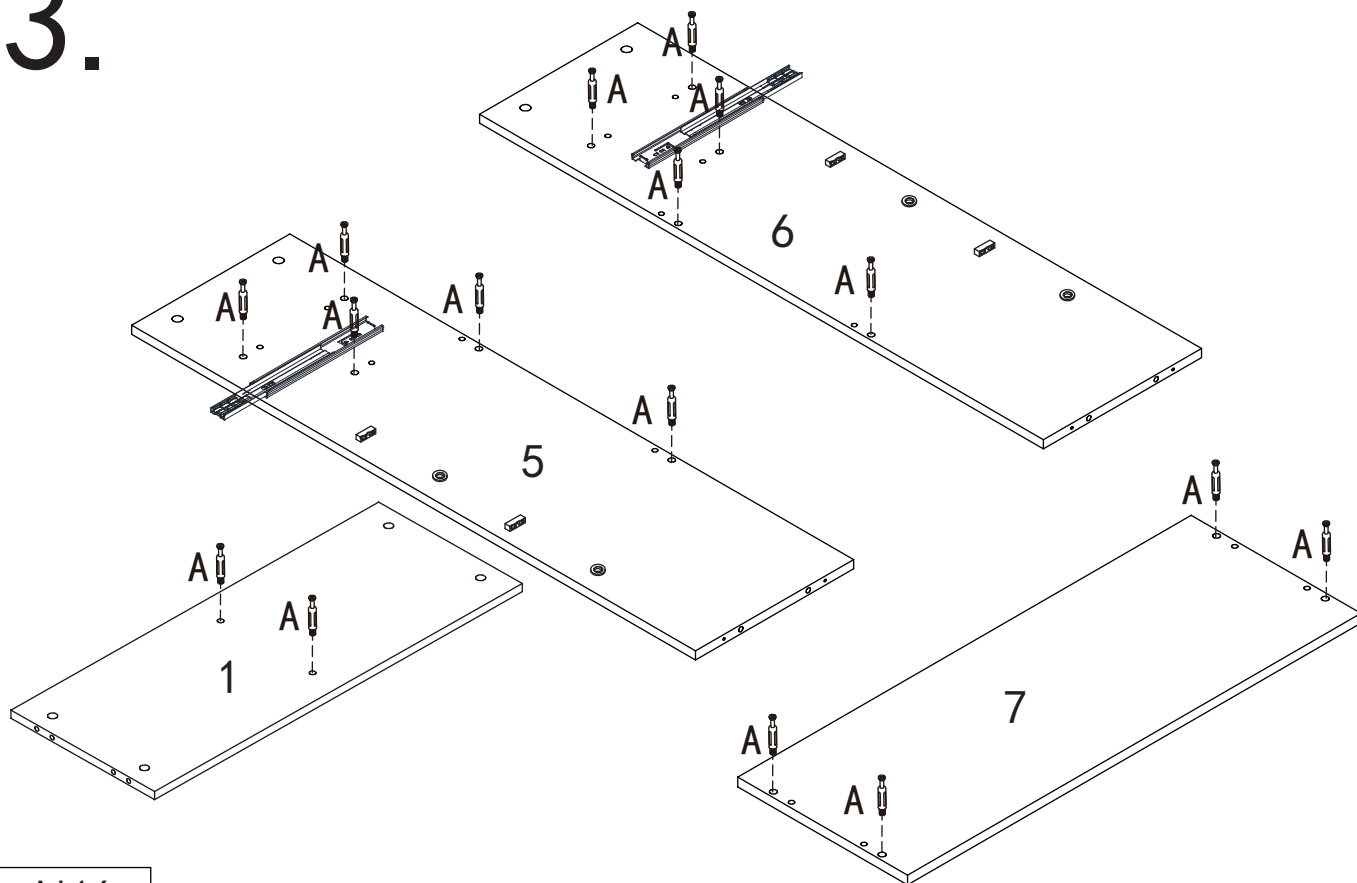


<b>F*2</b>  250 mm	<b>F-F1*4</b>  250 mm	<b>J*8</b> 
--------------------------	-----------------------------	----------------

# 7



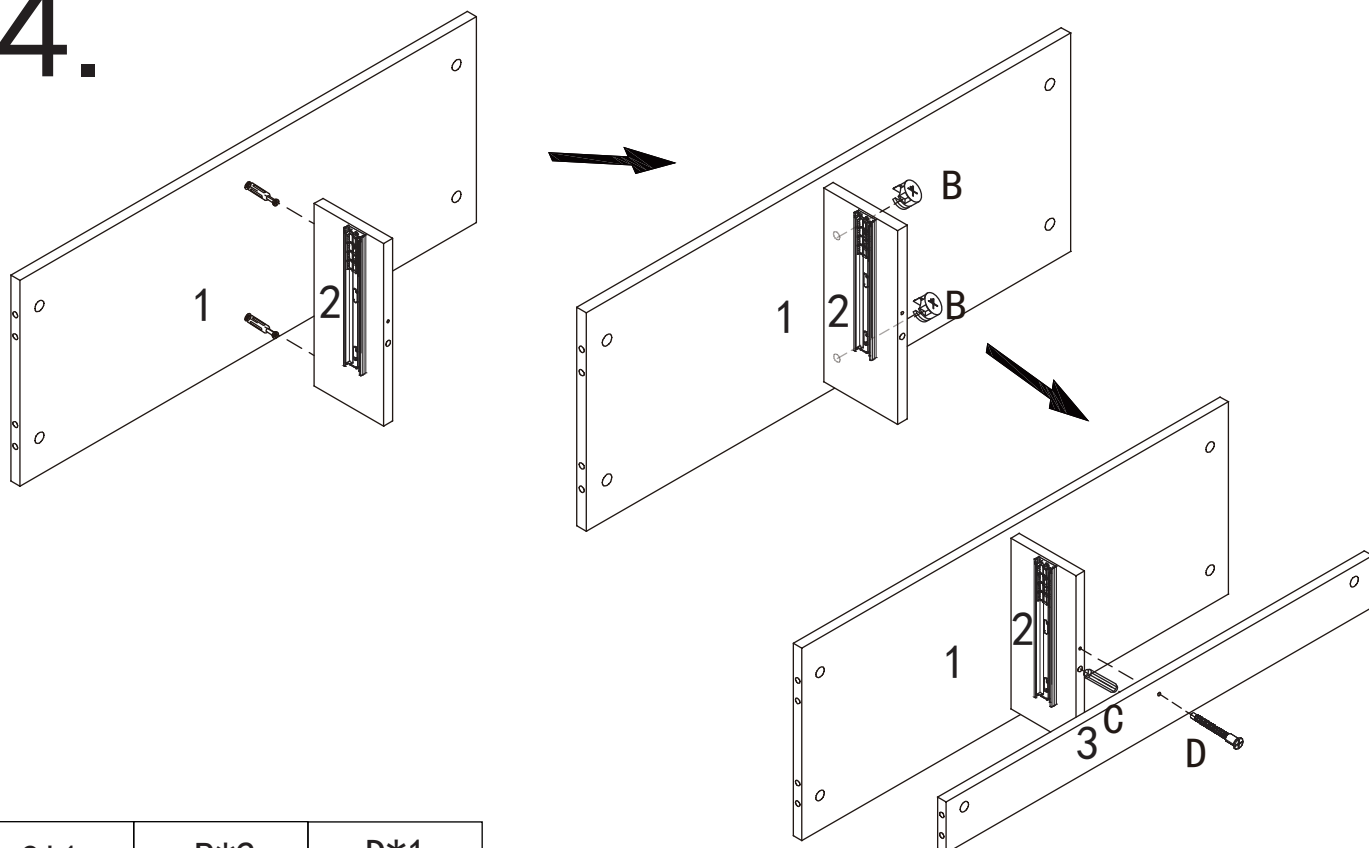
# 3.



A\*16



# 4.



C\*1



B\*2

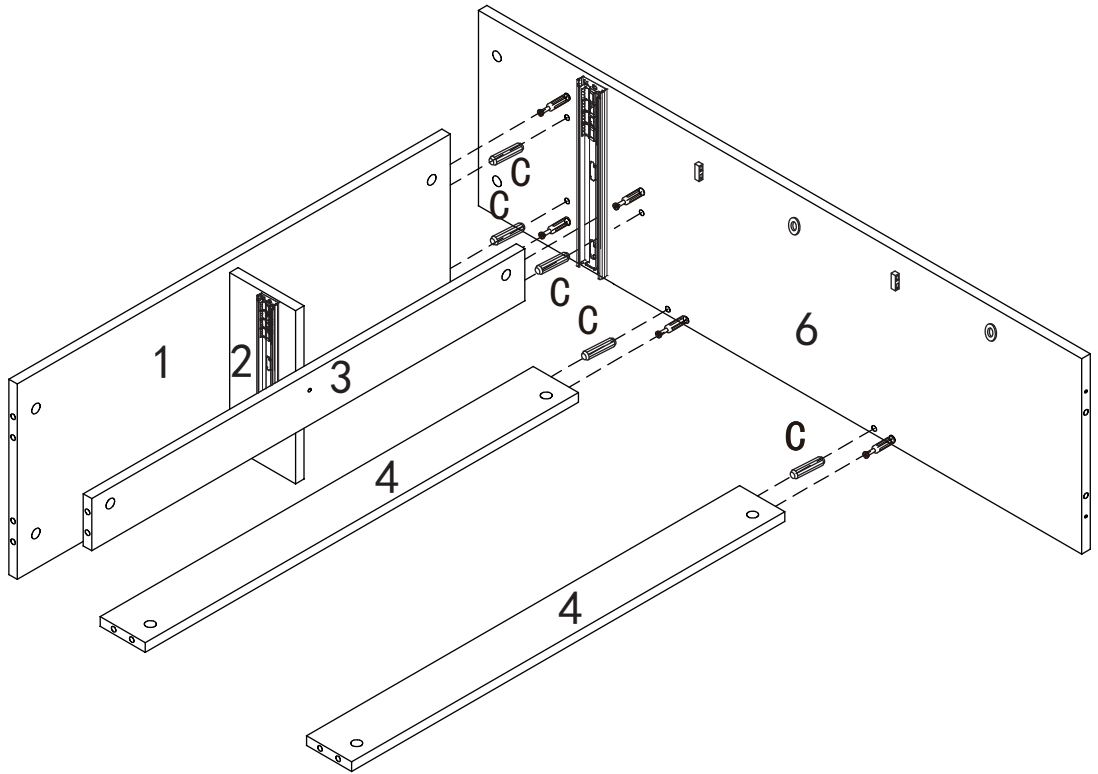


D\*1



# 8

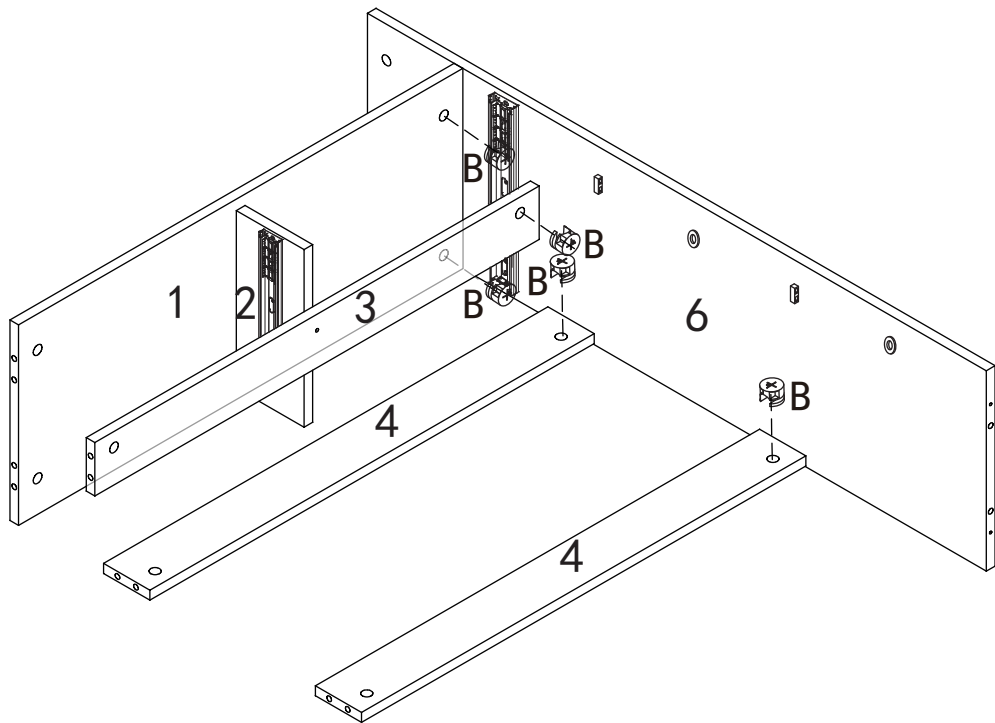
# 5.



C\*5



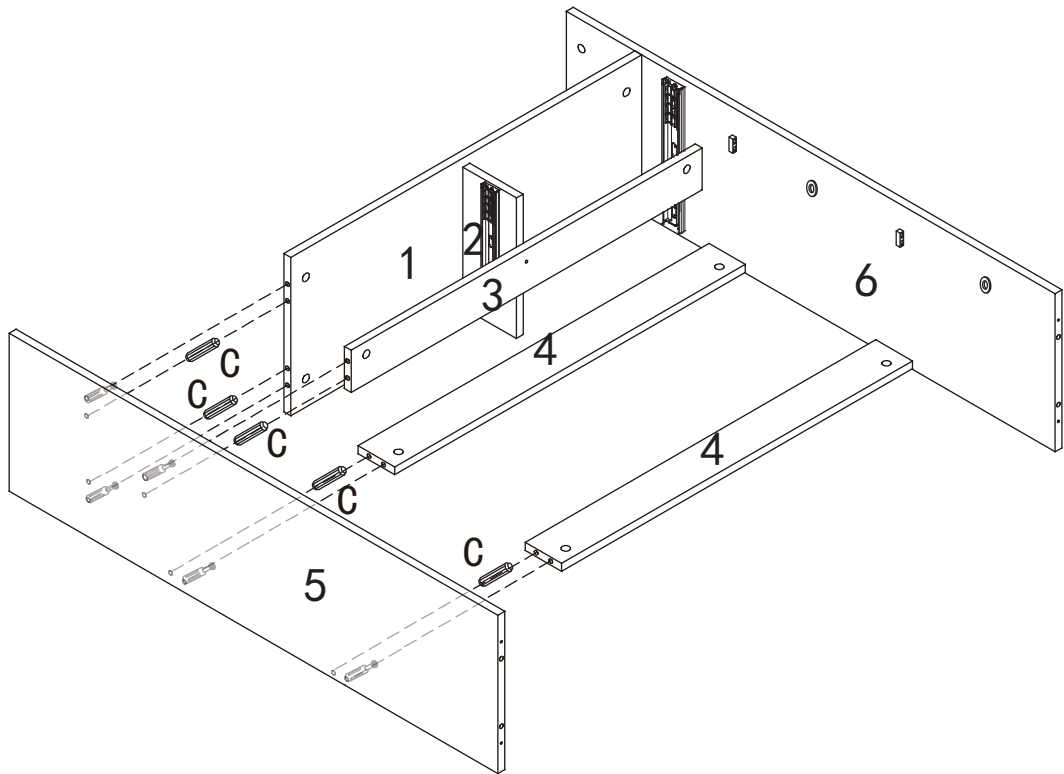
# 6.



B\*5



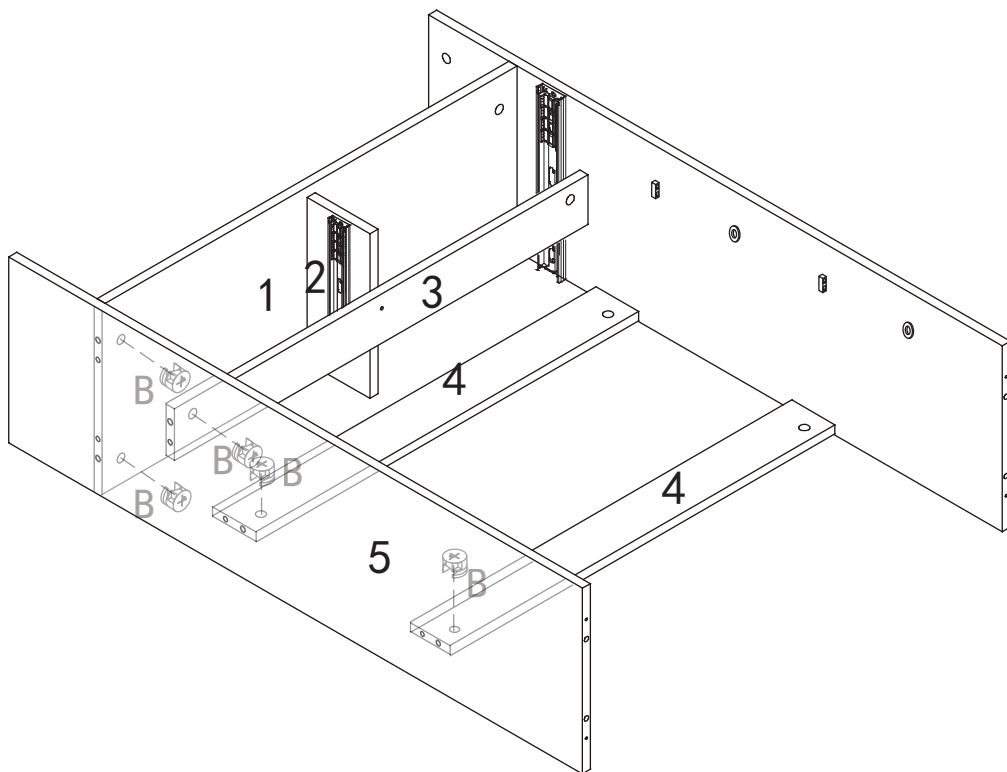
# 7.



C\*5



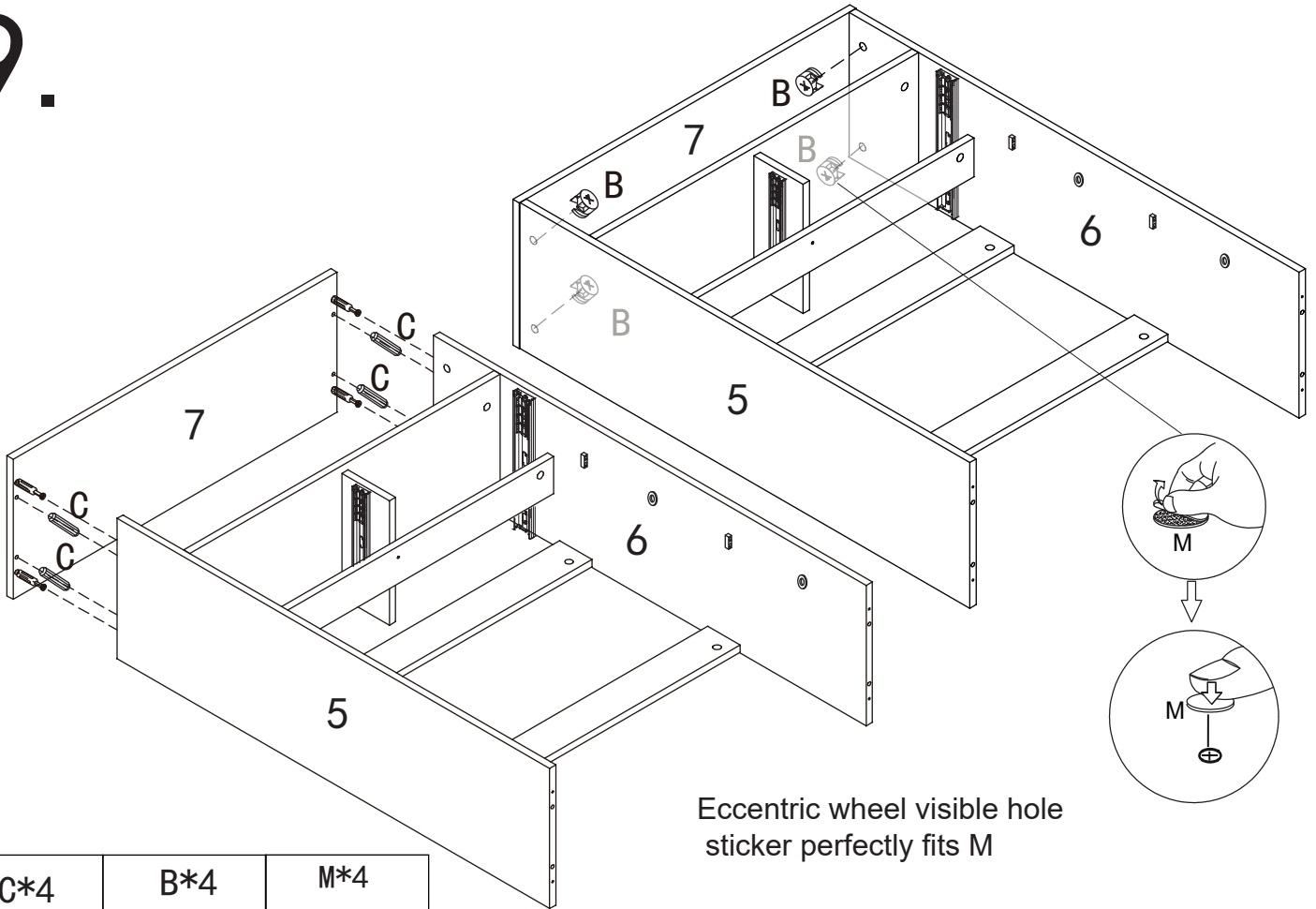
# 8.



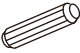


B\*5



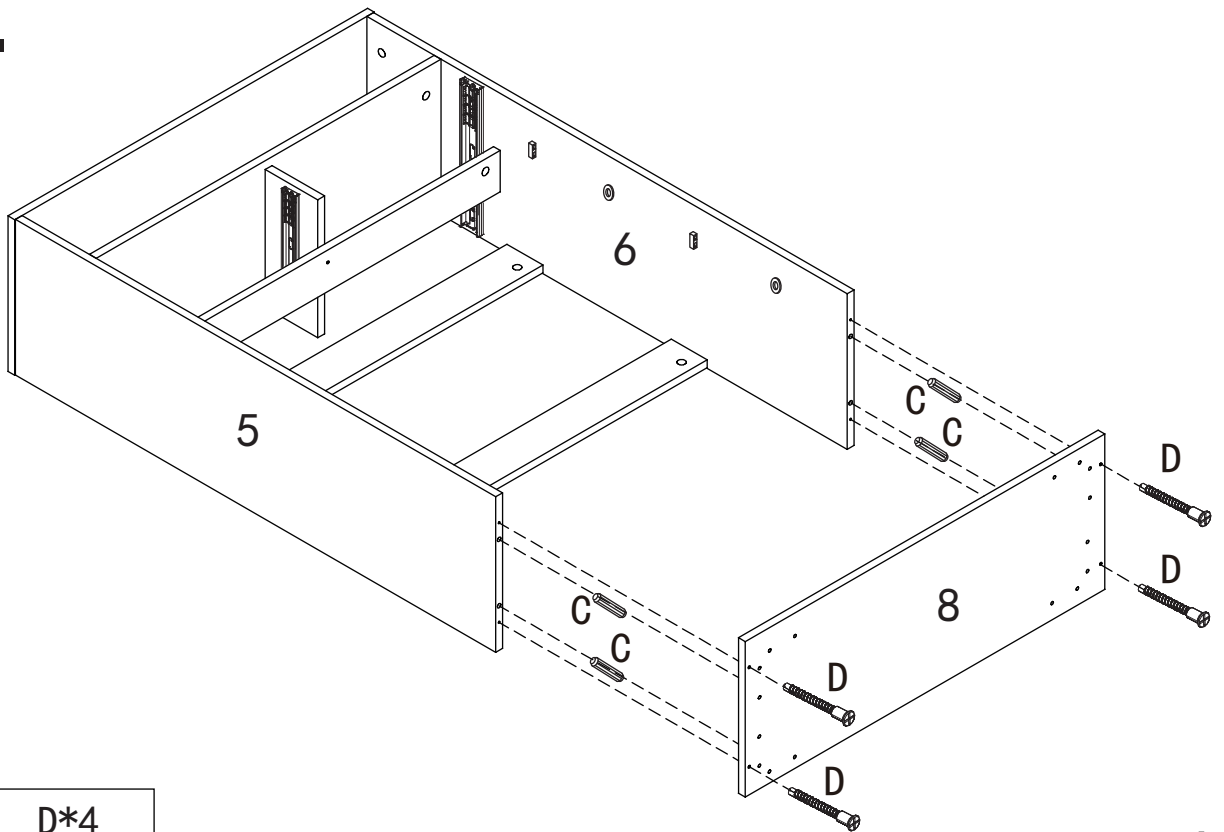
# 9.

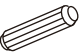



Eccentric wheel visible hole sticker perfectly fits M

C*4	B*4	M*4
		

# 10.

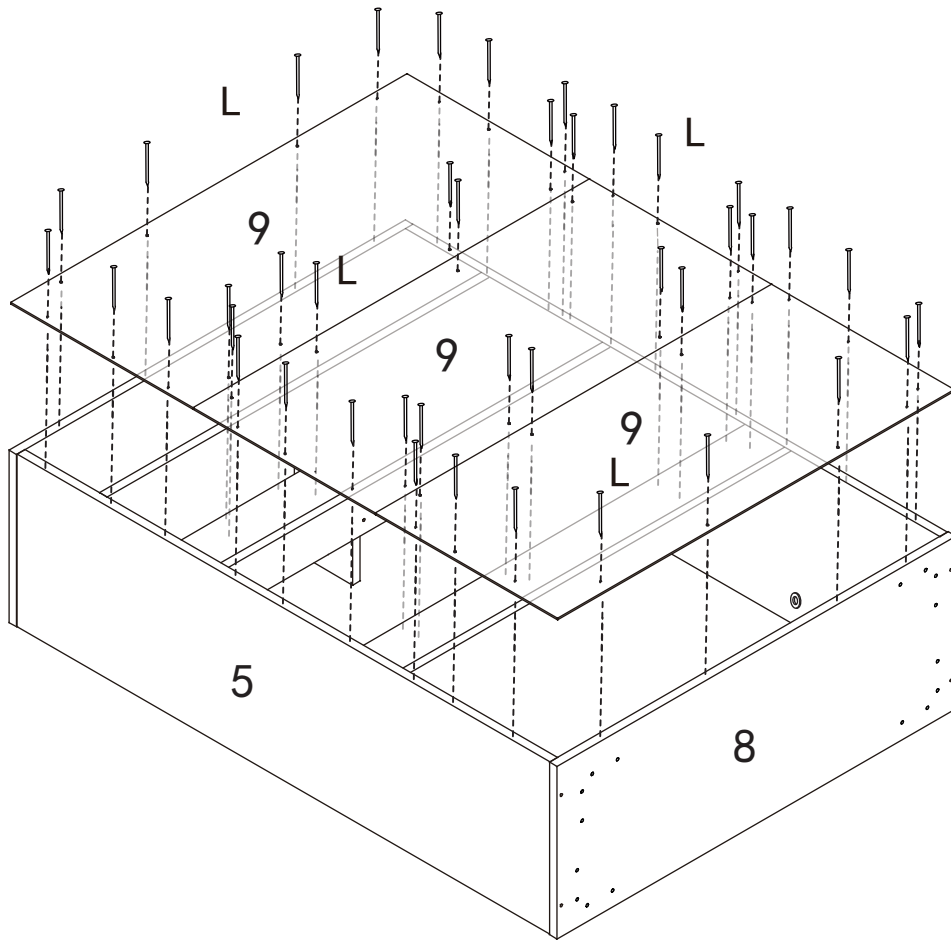


C*4	D*4
	

# 11

# 11.

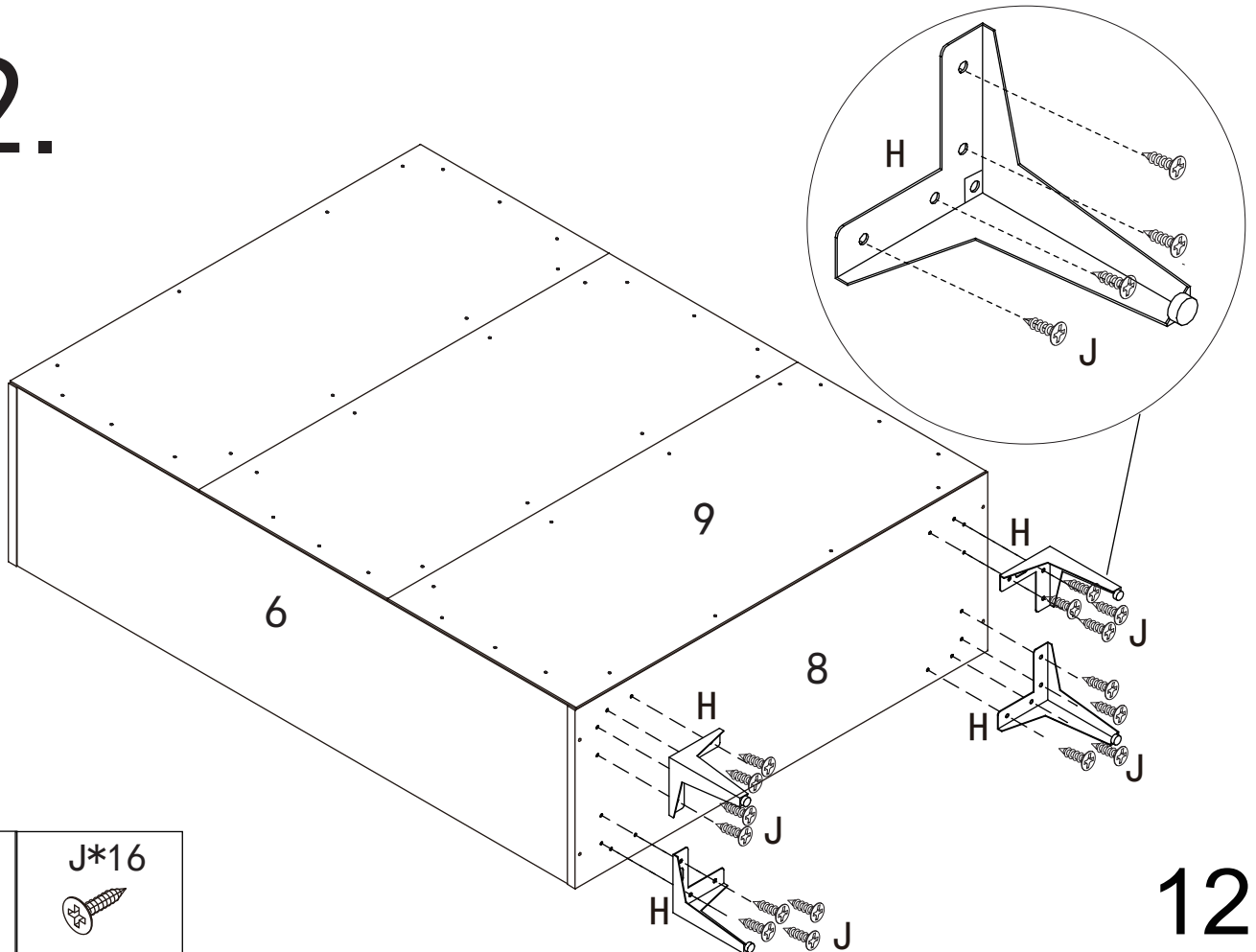
180°



L\*42



# 12.



H\*4

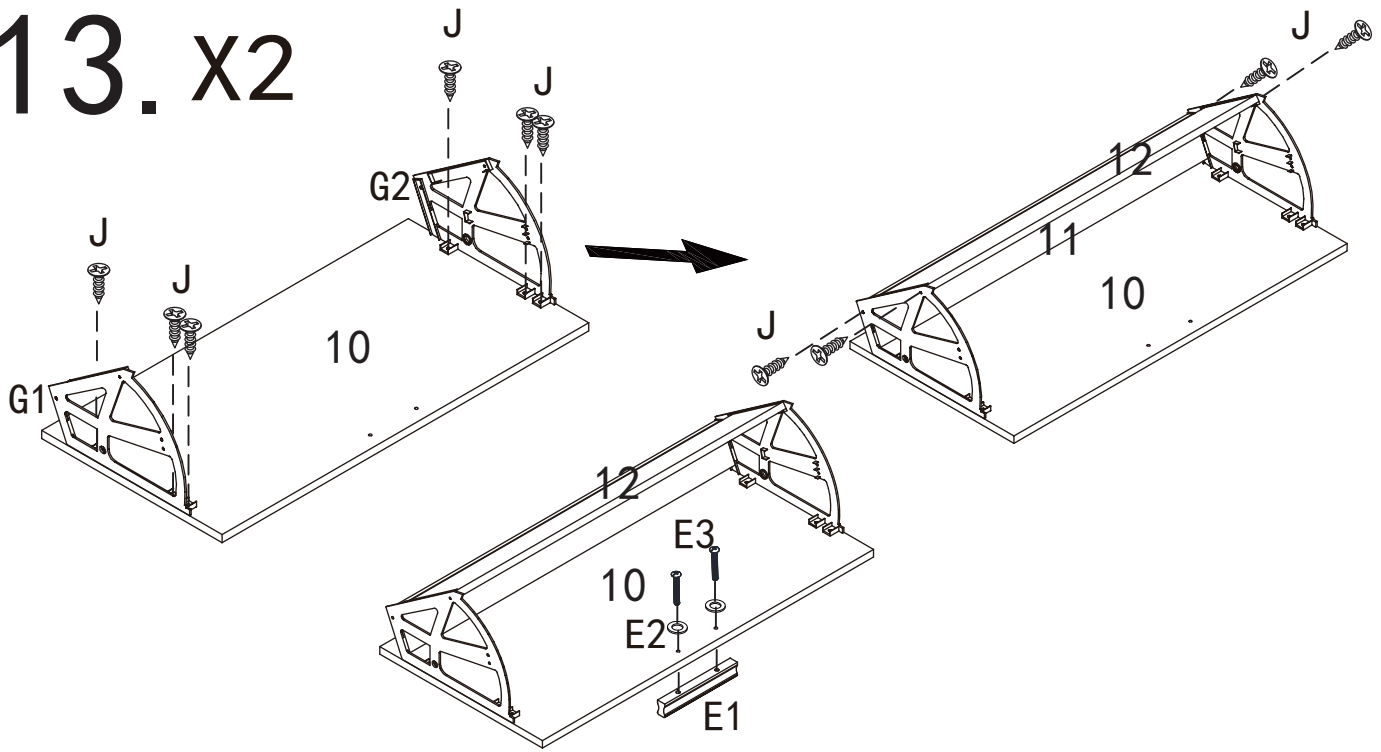





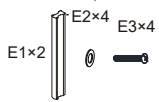
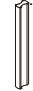


J\*16



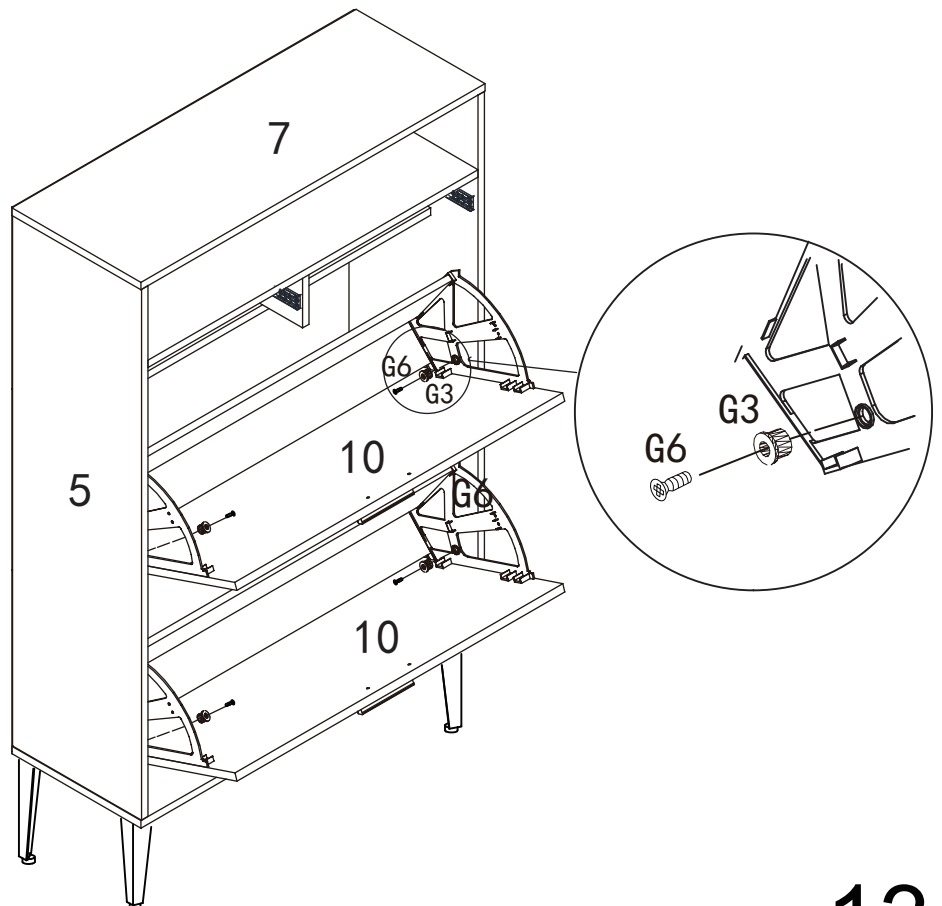
# 12



# 13. x2



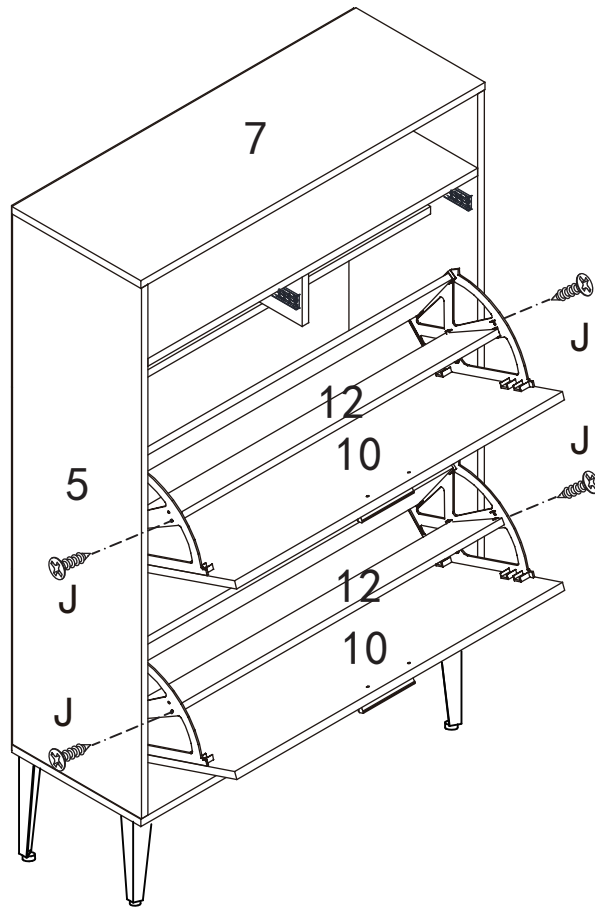
J*20 	G-G1*2 	G-G2*2 	E*2 	E-E1*2 	E-E2*4 	E-E3*4 
---	---	---	--	---	---	---

# 14.



G-G6*4  4x12mm	G-G3*4 
---	---

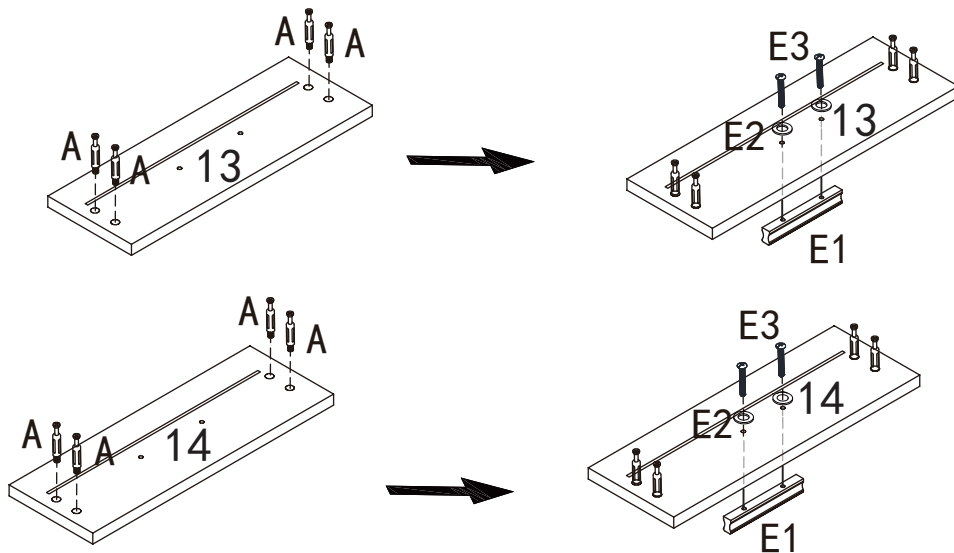
# 15.



J\*4



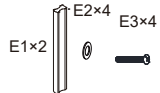
# 16.



A\*8



E\*2



E-E1\*2



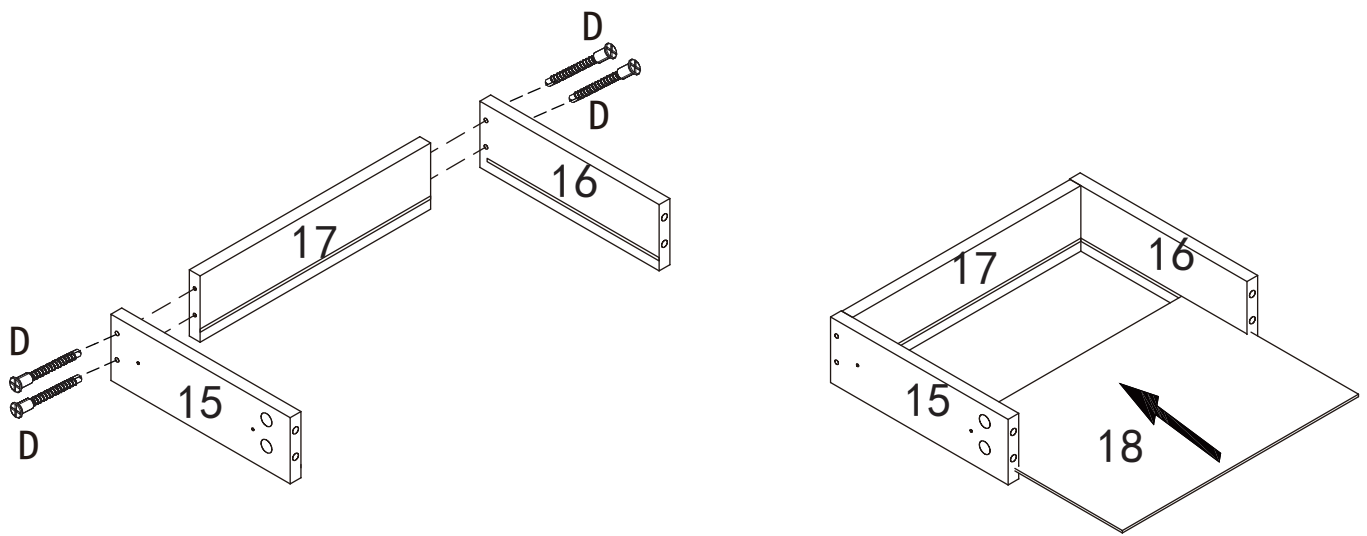
E-E2\*4



E-E3\*4



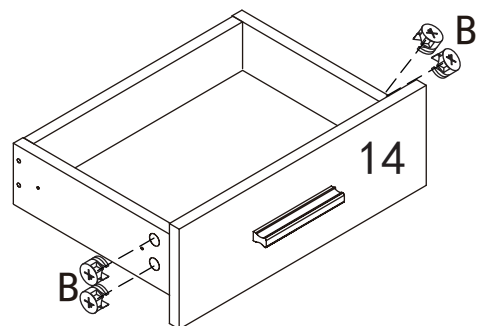
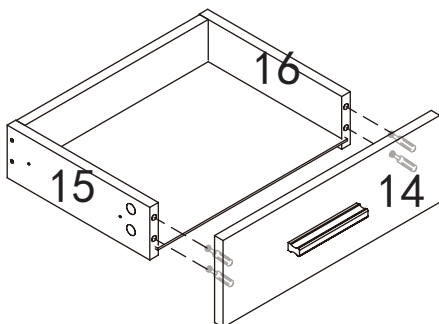
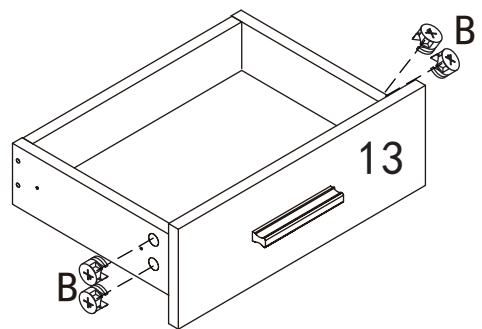
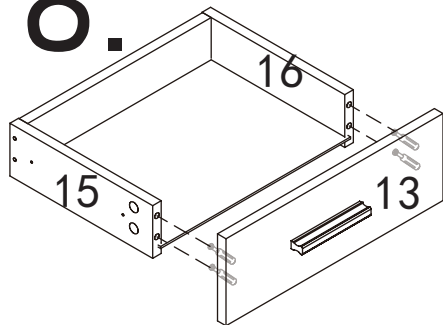
# 17. x2



D\*8



# 18.

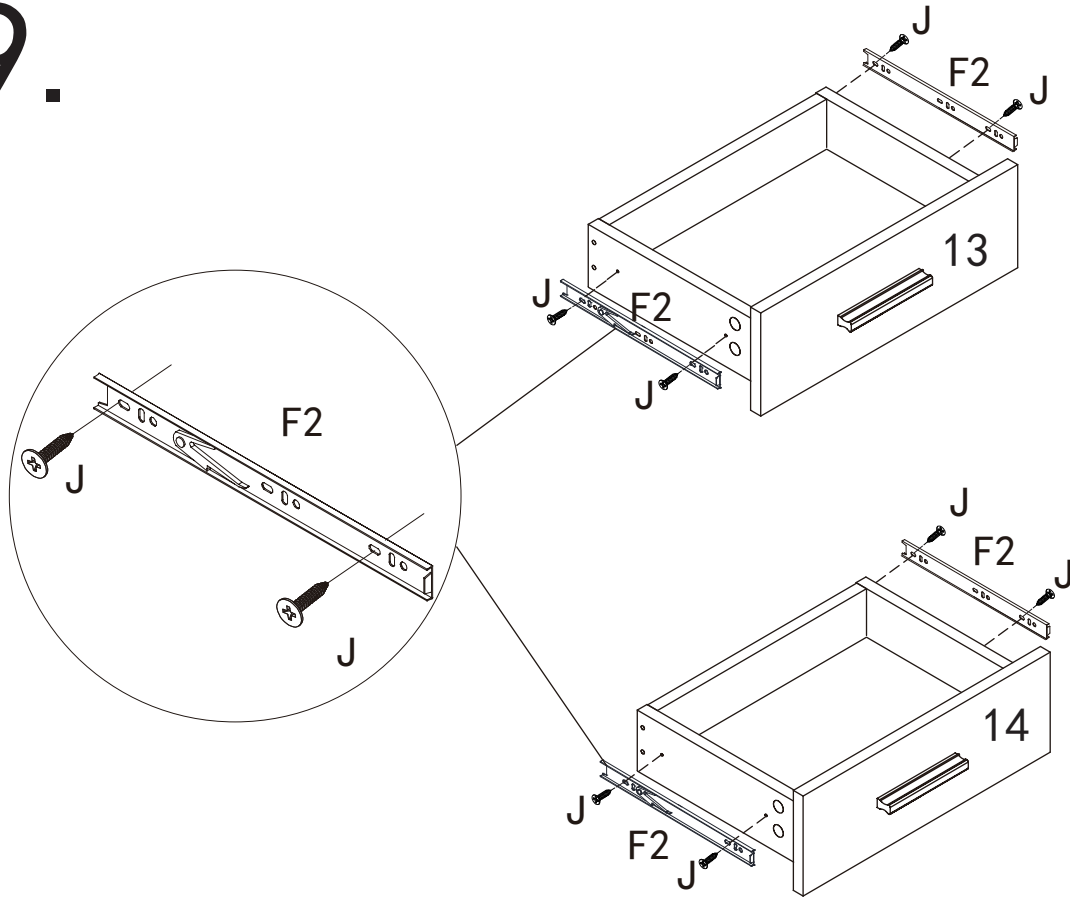


B\*8





# 19.



F-F2\*4

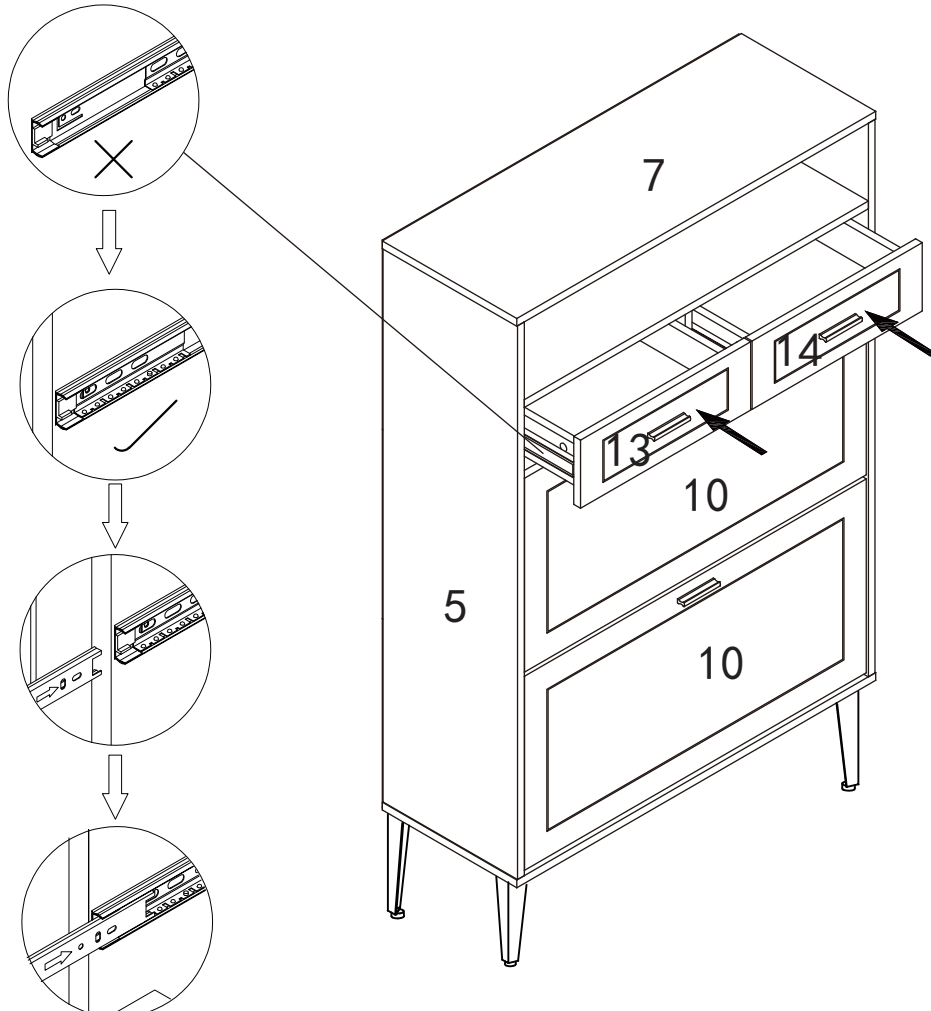


250 mm

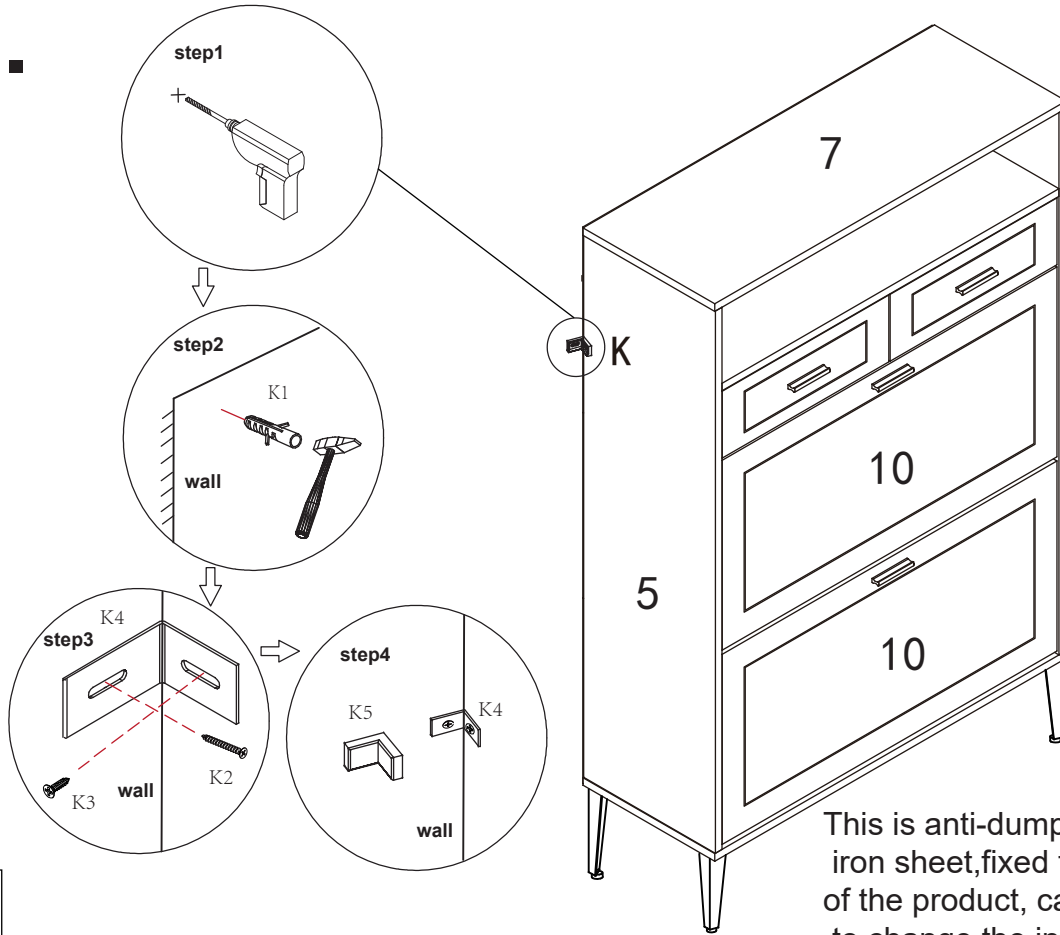
J\*8



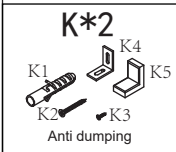
# 20.



# 21.



This is anti-dumping L-type iron sheet, fixed to the wall of the product, can be required to change the installation location



# 22.

