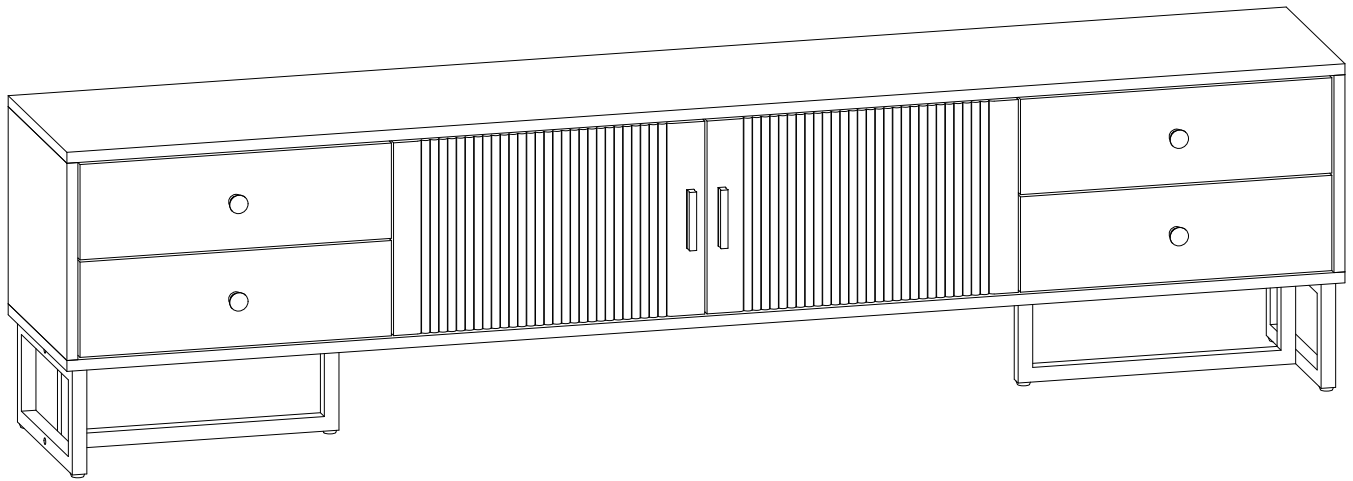


TV STAND-WF530740

Assembly Instructions - Please keep for future reference.



DIMENSIONS

width - 70.87inch

Depth - 15.75inch


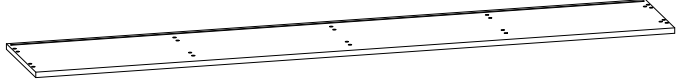

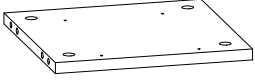
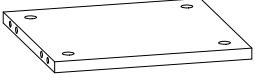
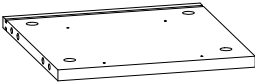
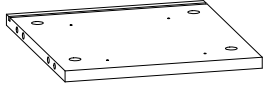
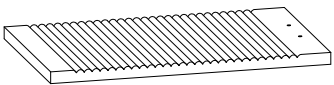










Height - 15.75inch

Important - Please read these instructions fully before starting assembly.

components - fittings

Please check you have all the panels listed below.

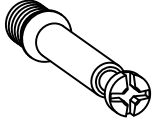












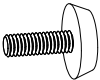

Note: The quantitie below are the correchet amount to complete the assembly. In some cases more fittings may be supplied than are required.

			
① x 1pc		② x 1pc	
			
③ x 1pc	④ x 1pc	⑤ x 1pc	⑥ x 1pc
			
⑦ x 1pc	⑧ x 2pcs	⑨ x 2pcs	⑩ x 2pcs
			
⑪ x 4pcs	⑫ x 4pcs	⑬ x 1pc	
			
⑭ x 4pcs	⑮ x 4pcs	⑯ x 1pc	⑰ x 2pcs
			
⑱ x 2pcs			

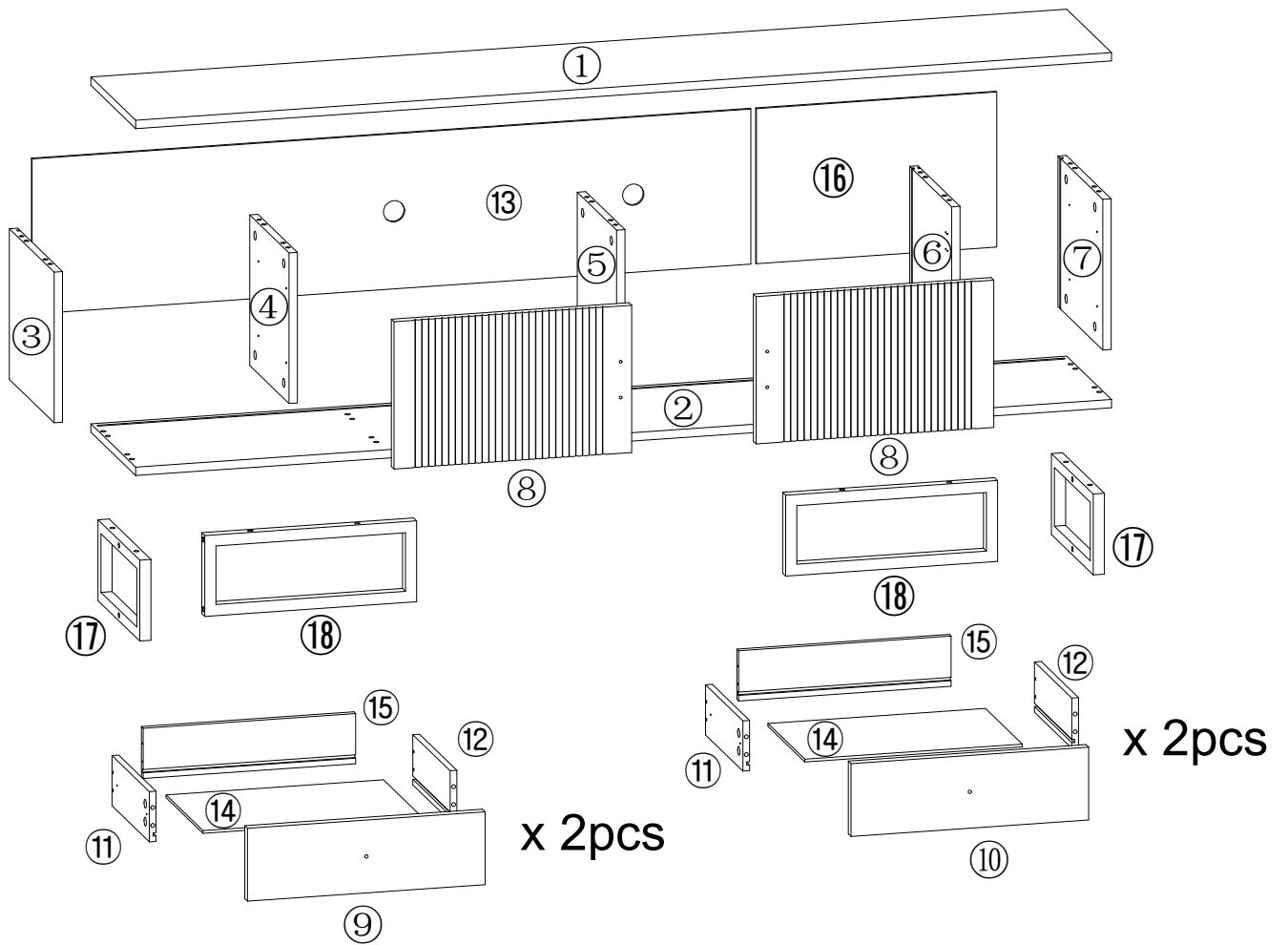
components - fittings

Please check you have all the panels listed below.

Note: The quantitie below are the correchet amount to complete the assembly. In some cases more fittings may be supplied than are required.

 M6x35mm	 Φ15x9mm	 Φ8x30mm	 M3x12mm
A x 36pcs	B x 36pcs	C x 20pcs	D x 32pcs
	 M6x35mm		
E x 8pcs	F x 4pcs	G x 4pcs	H x 2pcs
 M4x22mm	 M4x25mm	 M4x12mm	
I x 8pcs	J x 16pcs	K x 24pcs	L x 1pc
 M6x30mm			
M x 8pcs	N x 6pcs	O x 4pcs	

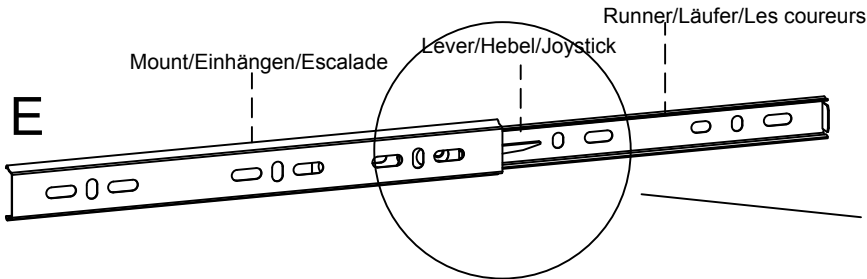
Assembly Instructions



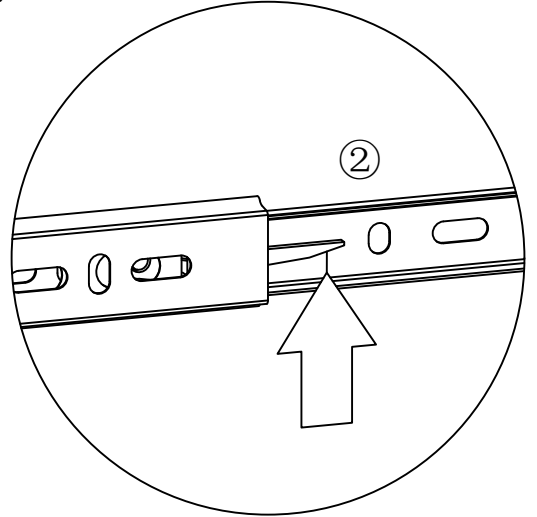
Assembly Instructions

STEP 1/SCHRITT 1/Étapes 1

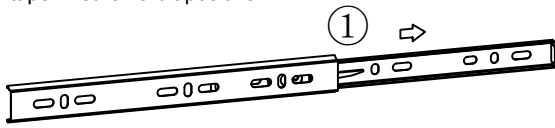
- Slides Must Be Separated Before Assembly.
- After Separated, Set Aside Until Needed for Assembly.
- Folien müssen vor der Montage getrennt werden.
- Nach der Trennung beiseite stellen, bis zur Montage benötigt wird.
- Les diapositives doivent être séparées avant l'assemblage.
- Une fois séparés, mettez de côté jusqu'à ce que vous ayez besoin de les assembler.



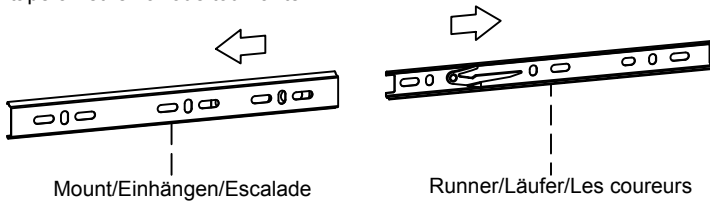
STEP 2 : Push Lever UP
 Schritt 2: Hebel nach oben drücken
 Étape 2: Poussez le joystick vers le Haut



STEP 1 : Extend Slide
 SCHRITT 1: Slide erweitern
 Étape 1: étirer la diapositive



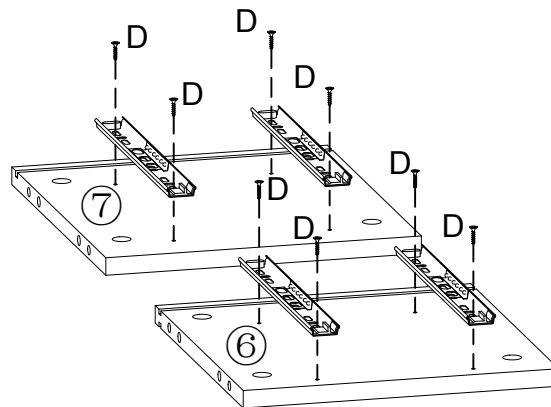
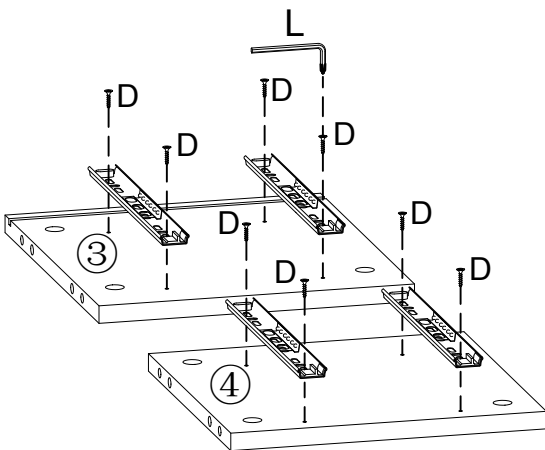
STEP 3 : Remove Runner
 SCHRITT 3: Läufer entfernen
 Étape 3: retirer la roue tournante



STEP 2/SCHRITT 2/Étapes 2

orientation/Ausrichtung/
 Direction

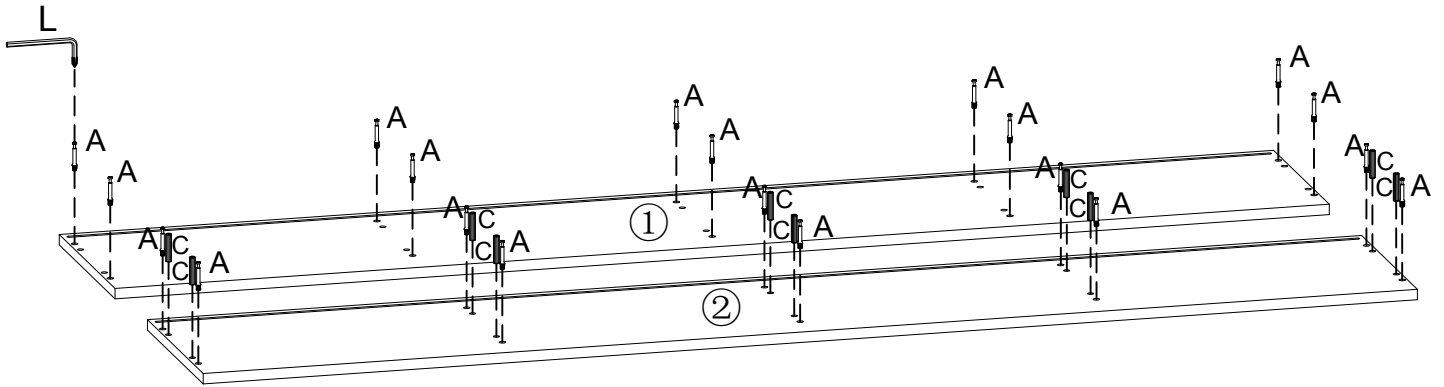
 Mount/Einhängen/Escalade






D x16pcs	Mount/Einhängen/ /Escalade E x 8pcs	L x 1pc

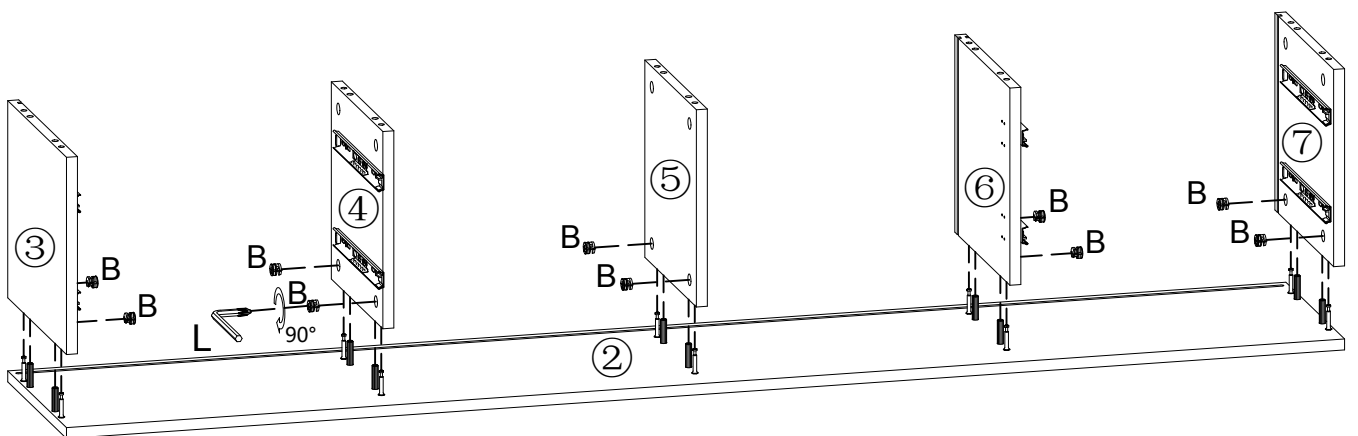
Assembly Instructions



STEP 3/SCHRITT 3/Étapes 3



		
A x 20 pcs	C x 10 pcs	L x 1 pc

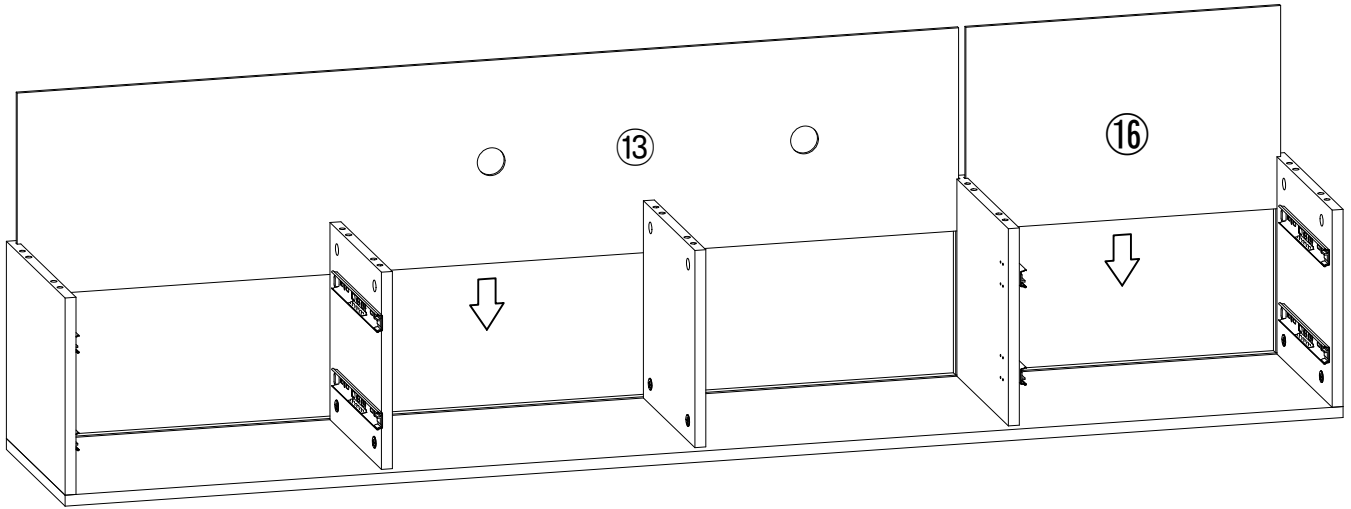
STEP 4/SCHRITT 4/Étapes 4



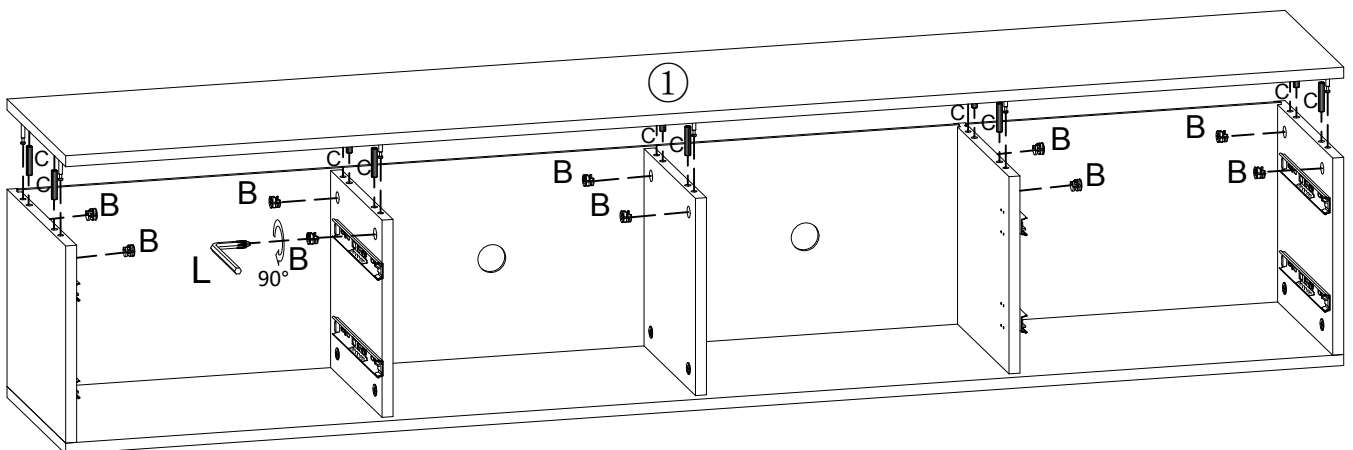
	
B x 10 pcs	L x 1 pc

Assembly Instructions

STEP 5/SCHRITT 5/Étapes 5



STEP 6/SCHRITT 6/Étapes 6



B x10pcs



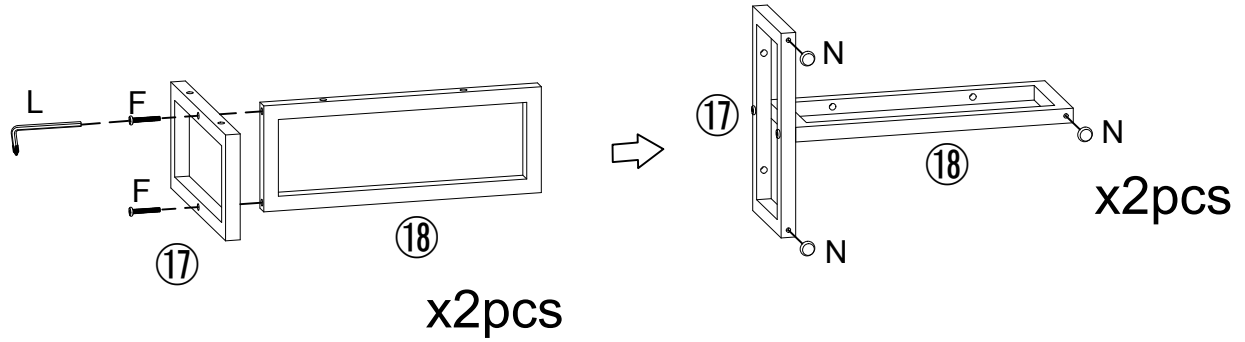
C x 10pcs



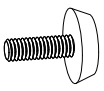


L x 1pc

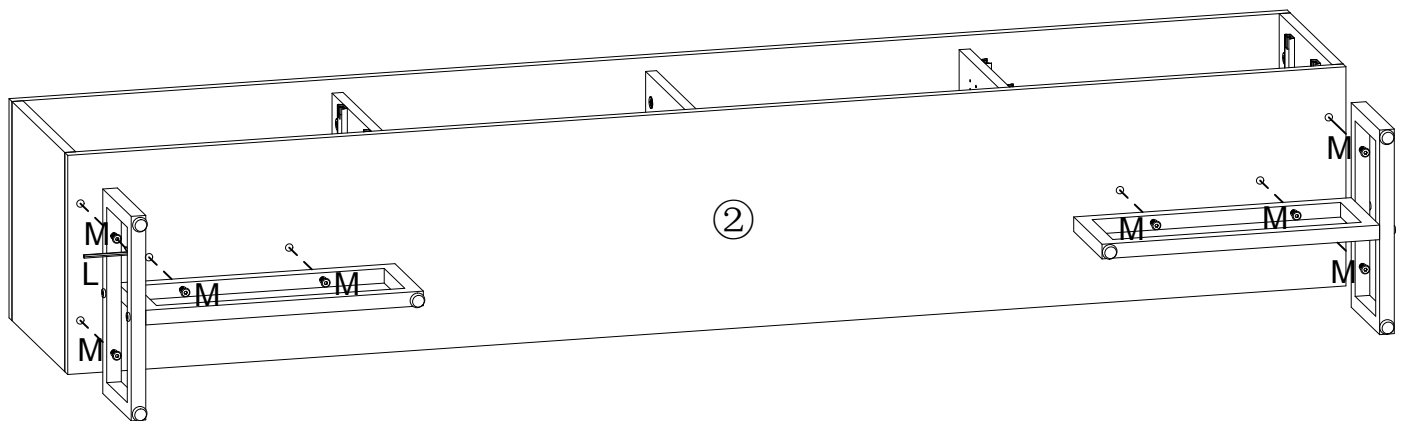
Assembly Instructions



STEP 7/SCHRITT 7/Étapes 7



 M6x35mm		
F x4pcs	L x1pc	N x 6pcs

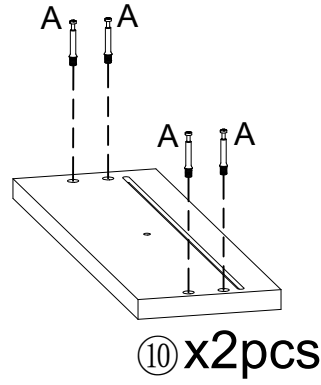
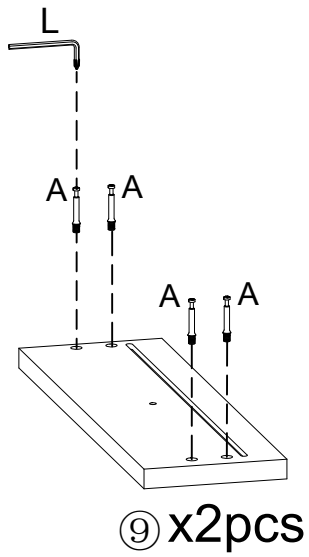
STEP 8/SCHRITT 8/Étapes 8

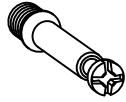



 M6x30mm	
M x 8pcs	L x1pc

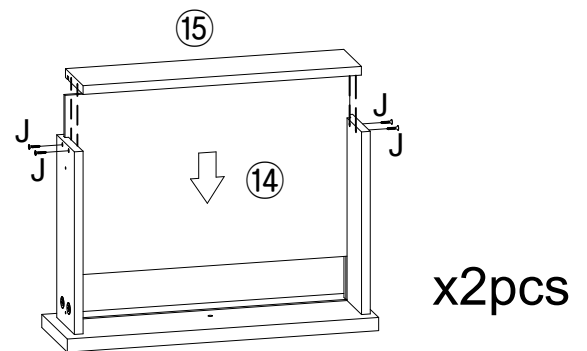
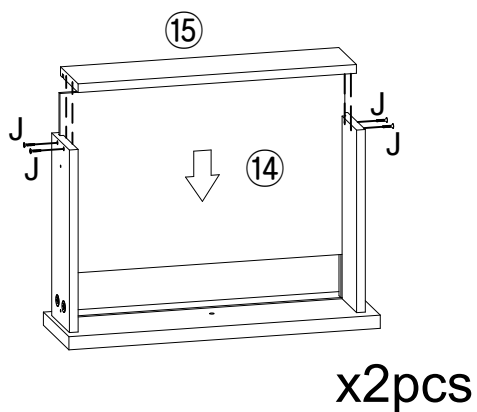
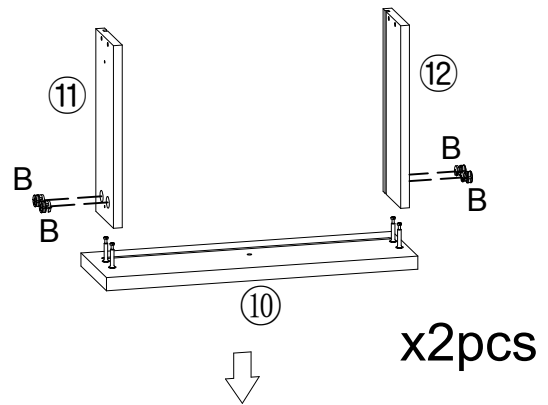
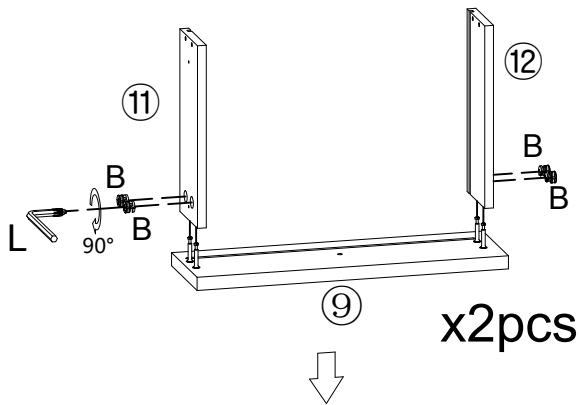
Assembly Instructions




STEP 9/SCHRITT 9/Étapes 9



	
A x16pcs	L x1pc

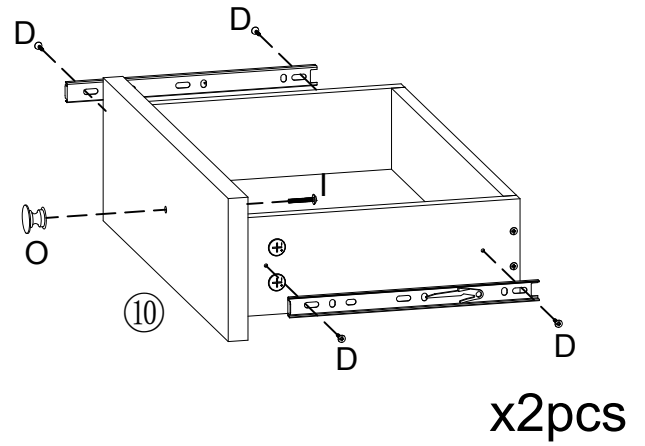
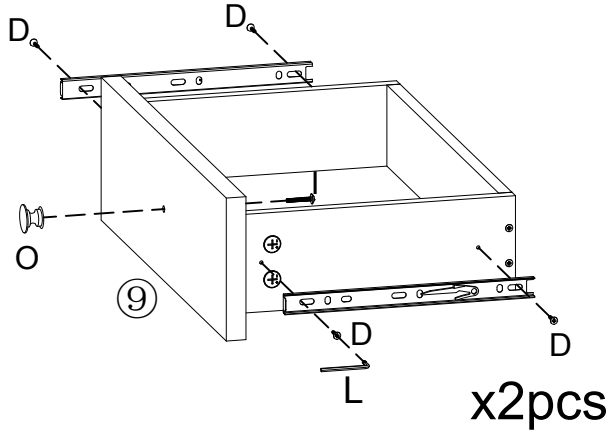
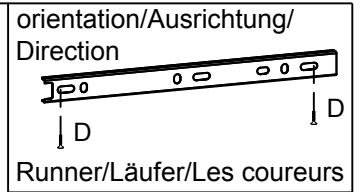
STEP 10/SCHRITT 10/Étapes 10








		
B x16pcs	J x 16pcs	L x1pc

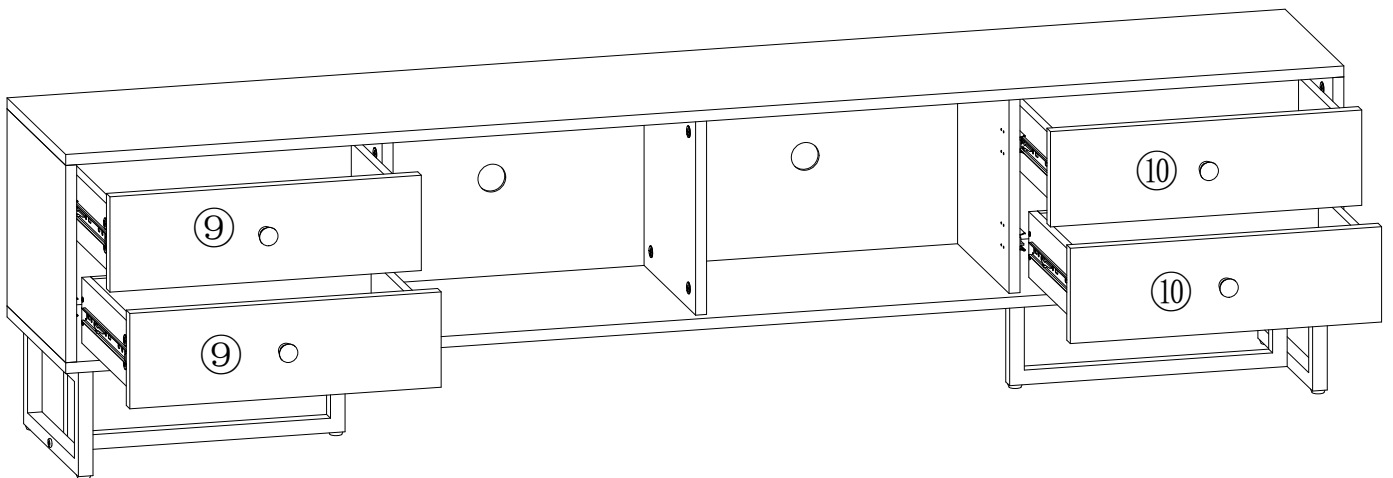
Assembly Instructions

STEP 11/SCHRITT 11/Étapes 11



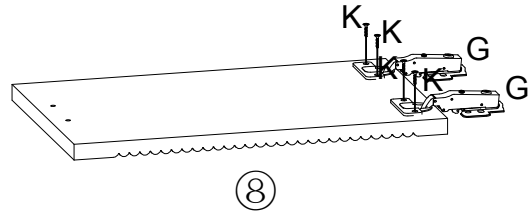
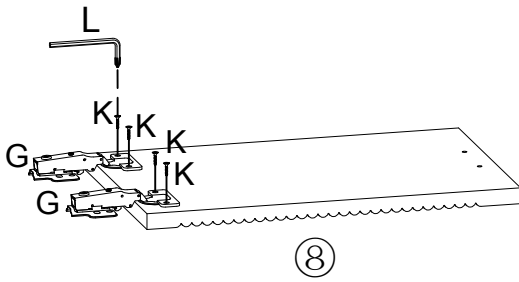
				
D x 16pcs	Runner/Läufer/ Les coureurs E x8pcs	Ox4pcs	I x 4pcs	L x1pc




STEP 12/SCHRITT 12/Étapes 12



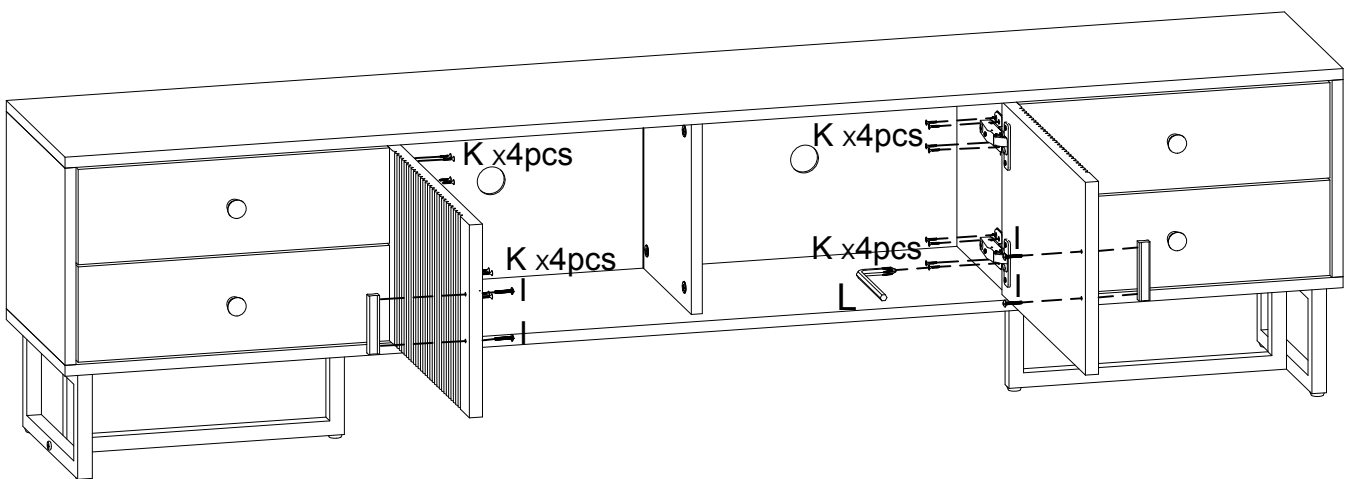
Assembly Instructions





STEP 13/SCHRITT 13/Étapes 13



		
G x4pcs	K x 8pcs	L x1pc

STEP 14/SCHRITT 14/Étapes 14



			
H x2pcs	I x4pcs	K x 16pcs	L x1pc