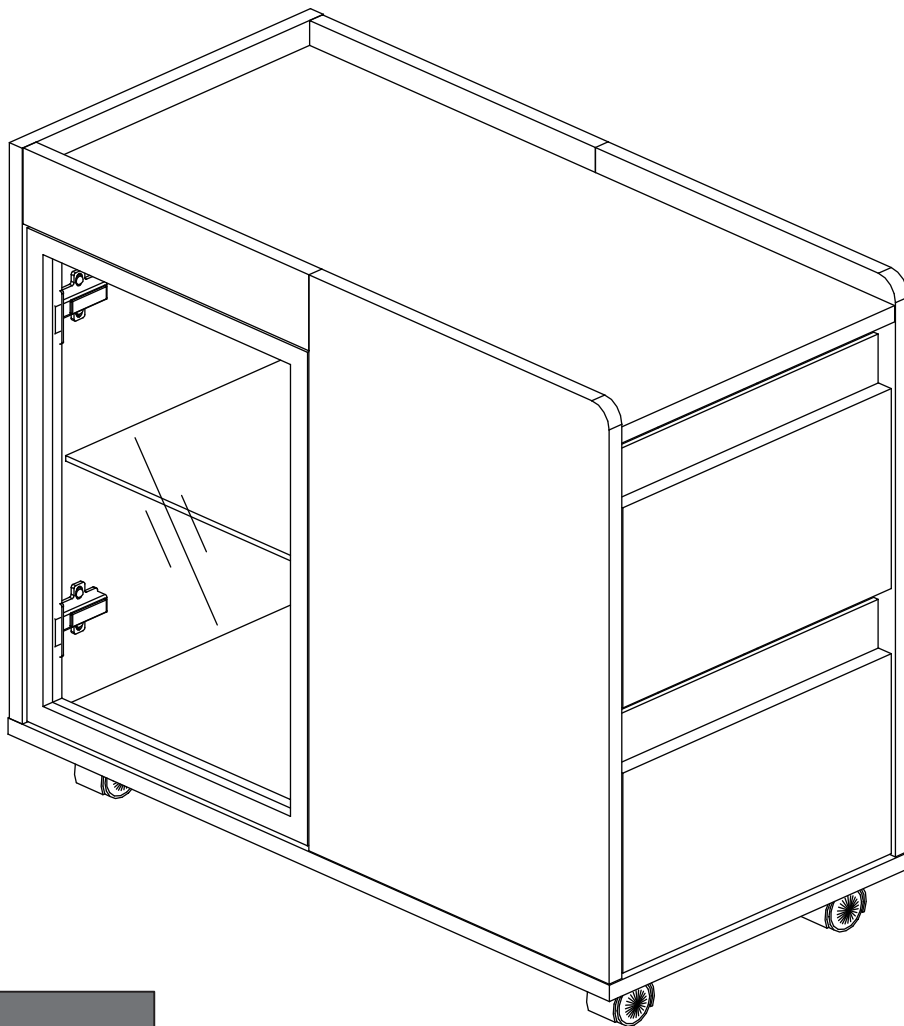


End Table

Assembly Instructions - Please keep for future reference



Dimensions

Width-27.56inch

Depth-13.78inch

Height-23.62inch

Important – Please read these instructions fully before starting assembly



Safety and Care Advice

Important – Please read these instructions fully before starting assembly

- Check you have all the components and tools listed on the following pages.
- Remove all fittings from the plastic bags and separate them into their groups.
- Keep children and animals away from the work area, small parts could choke if swallowed.
- Make sure you have enough space to layout the parts before starting.

- During assembly do not stand or put weight on the product, this could cause damage.
- Assemble the item as close to its final position (in the same room) as possible.
- Assemble on a soft level surface to avoid damaging the unit or your floor.
- Parts of the assembly will be easier with 2 people.



- To reduce the likelihood of damaging your product please ensure that your power drill is set on a low torque setting.

Care and maintenance

- Only clean using a damp cloth and mild detergent, do not use bleach or abrasive cleaners.
- From time to time check that there are no loose screws on this unit.
- This product should not be discarded with household waste. Take to your local authority waste disposal centre.

Handy Hints

- Assemble all parts and bolts loosely during assembly, only once the product is complete should you fully tighten the bolts
- Regularly check and ensure That all bolts and fittings are tightend properly.

WARNING In order to help prevent overturning – please follow these instructions

To help prevent product toppling over please follow the below steps:-

- Use the anti tip stap or wall fixing method provided (if applicable)
- Do not allow children to climb or hang on the furniture
- Do not open more than one drawer at a time
- Do not place heavy items in the top drawers
- Do not place heavy items on top of the furniture, unless the furniture has been designed for this purpose

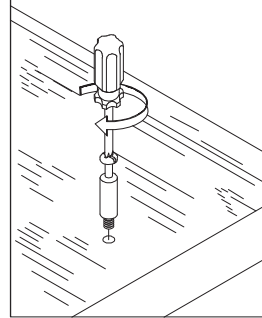
Using Camlocks

Step 1

Connect the male camlock as directed in the assembly instructions using a screwdriver.

1

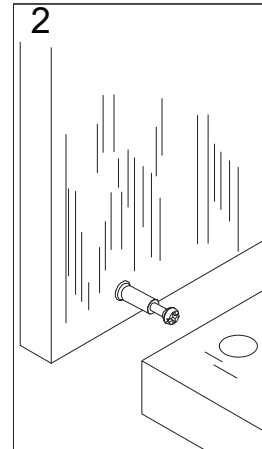
DO NOT OVER TIGHTEN.
NE PAS SERRER EXCESSIVEMENT.



Step 2

Push the male camlock into the entry hole.

2

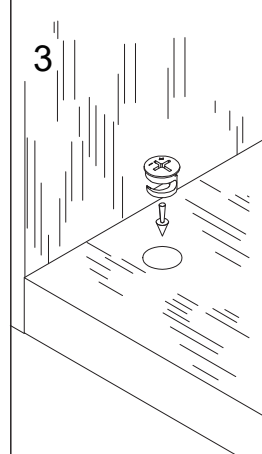


Step 3

Insert the female camlock as shown in the instruction.

Note: ensure that the arrow on the top of the camlock points towards the entry hole for the male camlock.

3



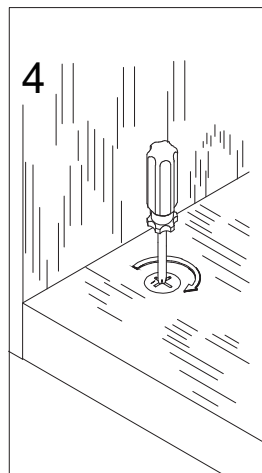
Step 4

Turn the female camlock clockwise with a screwdriver.

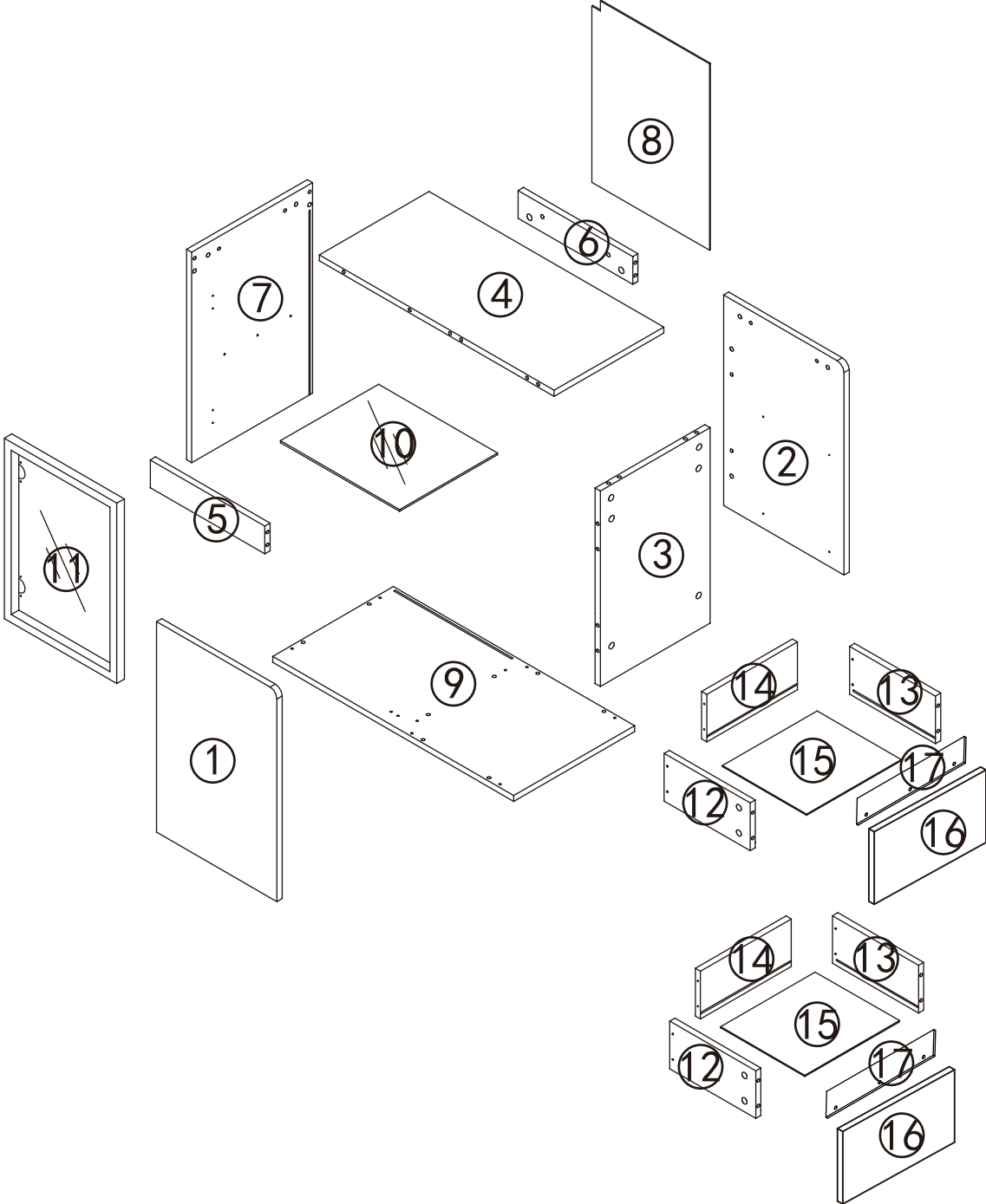
You should feel a click when the camlock is locked in place.

The joint is now secure.

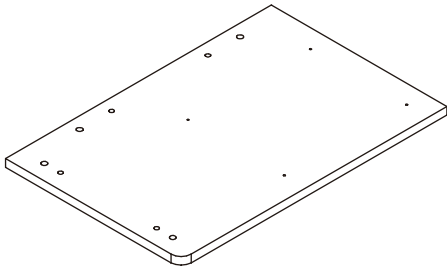
4



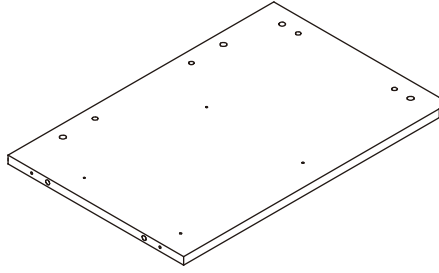
Assembly Instructions



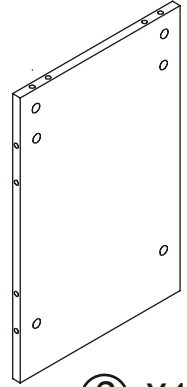
Assembly Instructions



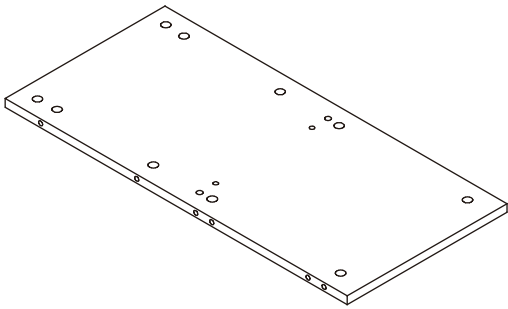
① x1



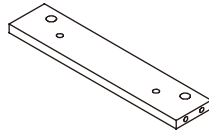
② x1



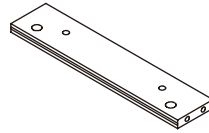
③ x1



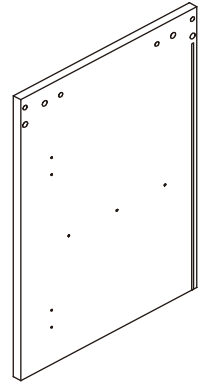
④ x1



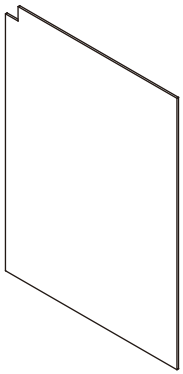
⑤ x1



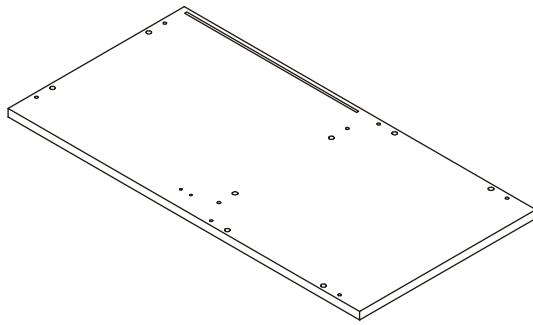
⑥ x1



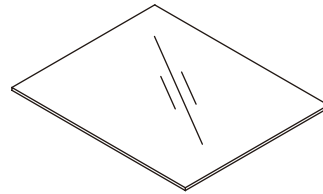
⑦ x1



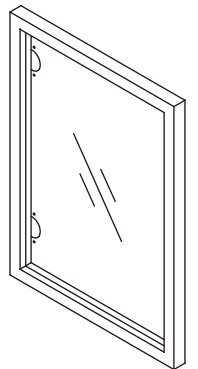
⑧ x1



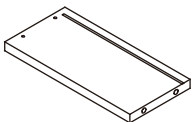
⑨ x1



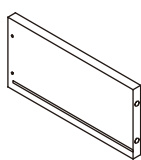
⑩ x1



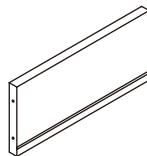
⑪ x1



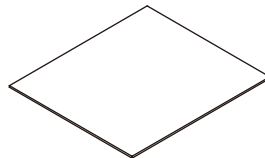
⑫ x2



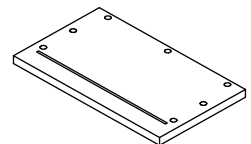
⑬ x2



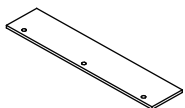
⑭ x2



⑮ x2



⑯ x2

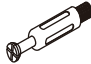

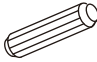
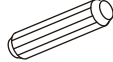


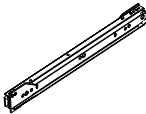
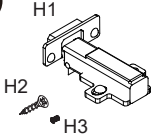
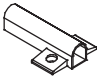



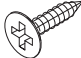

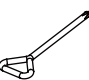



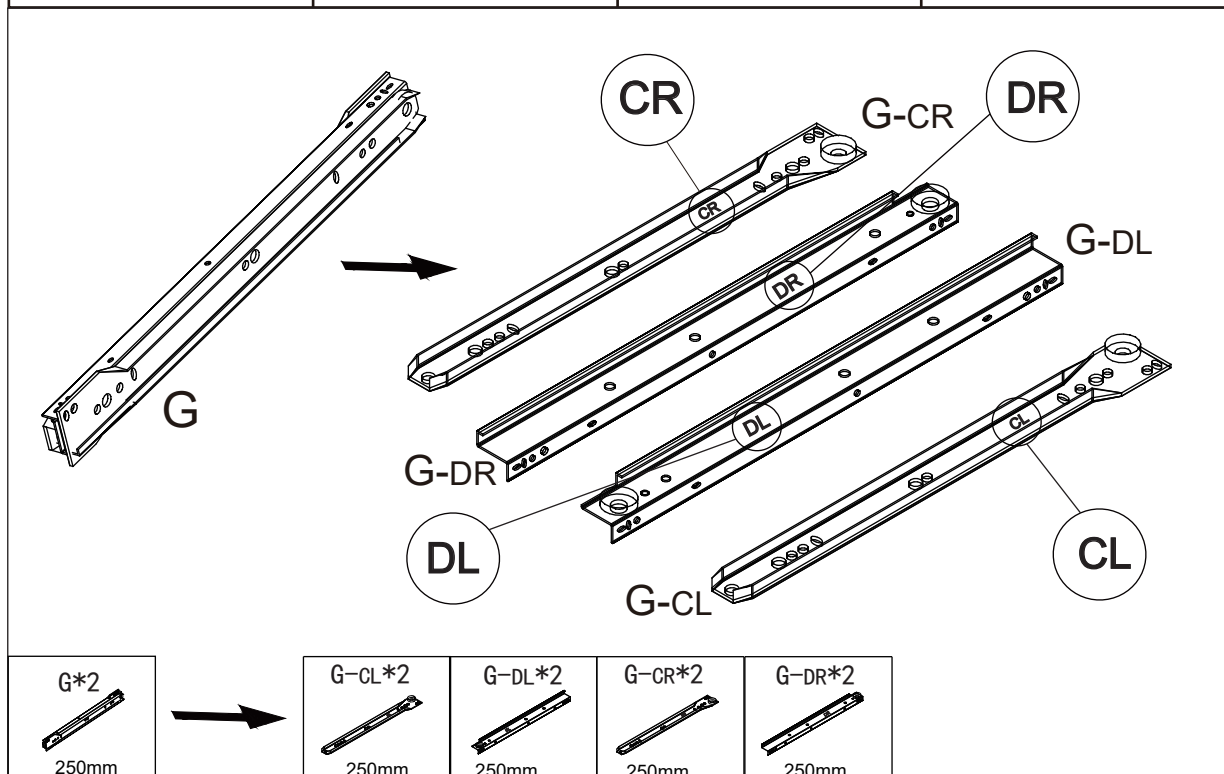
⑰ x2

Components-Fittings

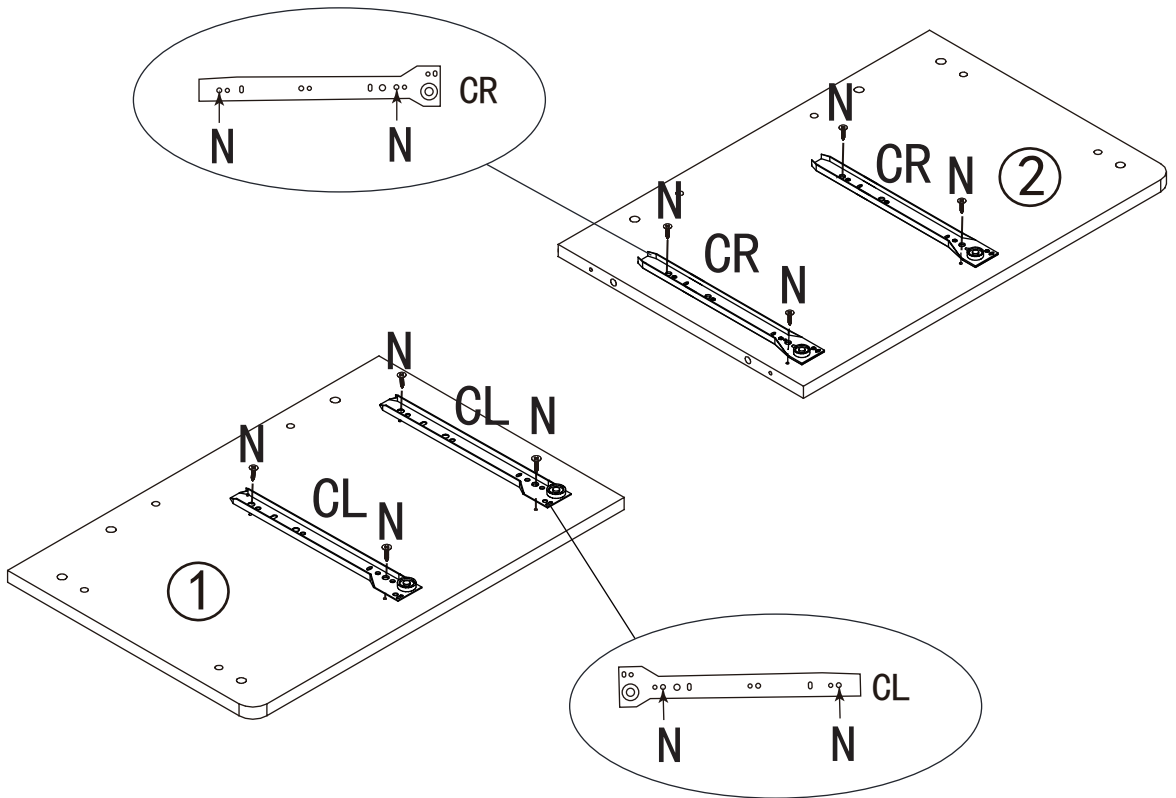
Please check you have all the panels listed below

Note: The quantities below are the correct amount to complete the assembly. In some cases more fittings may be supplied than are required.

<p>(A)</p>  <p>Cam Bolt x28+2</p>	<p>(B)</p>  <p>Cam Lock x 28+2</p>	<p>(C)</p>  <p>8*30mm Dowel x 22+2</p>	<p>(D)</p>  <p>8*40mm Screw x 2+1</p>
<p>(E)</p>  <p>5*40mm Screw x 8+1</p>	<p>(F)</p>  <p>3.5*35mm Screw x 8+1</p>	<p>(G)</p>  <p>250mm Drawer slide x 2</p>	<p>(H)</p>  <p>Flip door lever x 2</p>
<p>(J)</p>  <p>Rebound device x 1</p>	<p>(K)</p>  <p>universal wheel x 4</p>	<p>(L)</p>  <p>6*14mm Chamfered screw x 6+1</p>	<p>(M)</p>  <p>Glass holder x 6+1</p>
<p>(N)</p>  <p>3.5*14mm Screw x 34+2</p>	<p>(P)</p>  <p>Light belt x 1</p>	<p>(Q)</p>  <p>Screwdriver x 1</p>	<p>(R)</p>  <p>Perfect sticker x 14</p>



1.

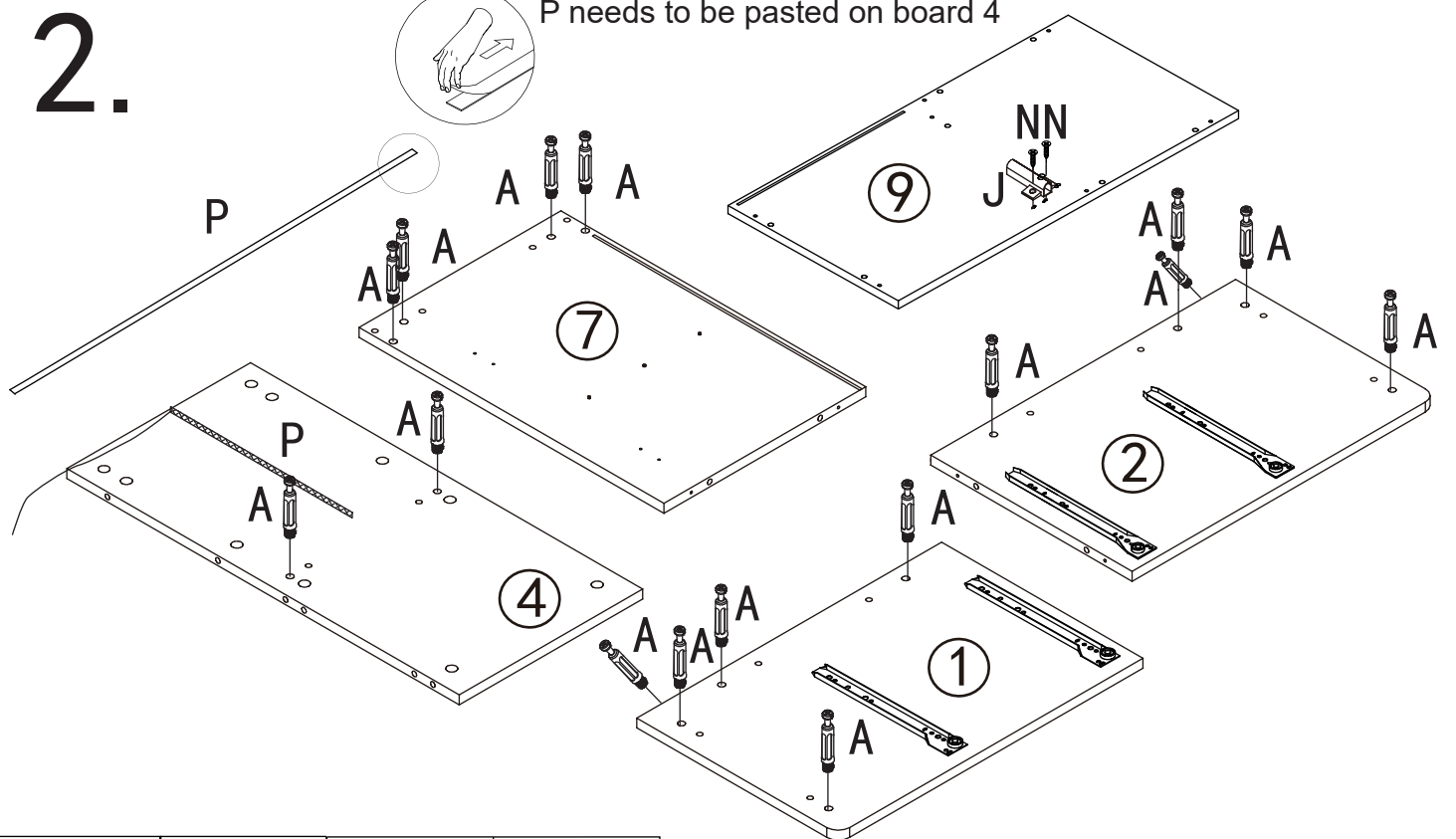


N*8 Ø3.5 x 14 mm 	G*2 250mm 	G-CL*2 250mm 	G-CR*2 250mm
-------------------------	------------------	---------------------	---------------------

2.

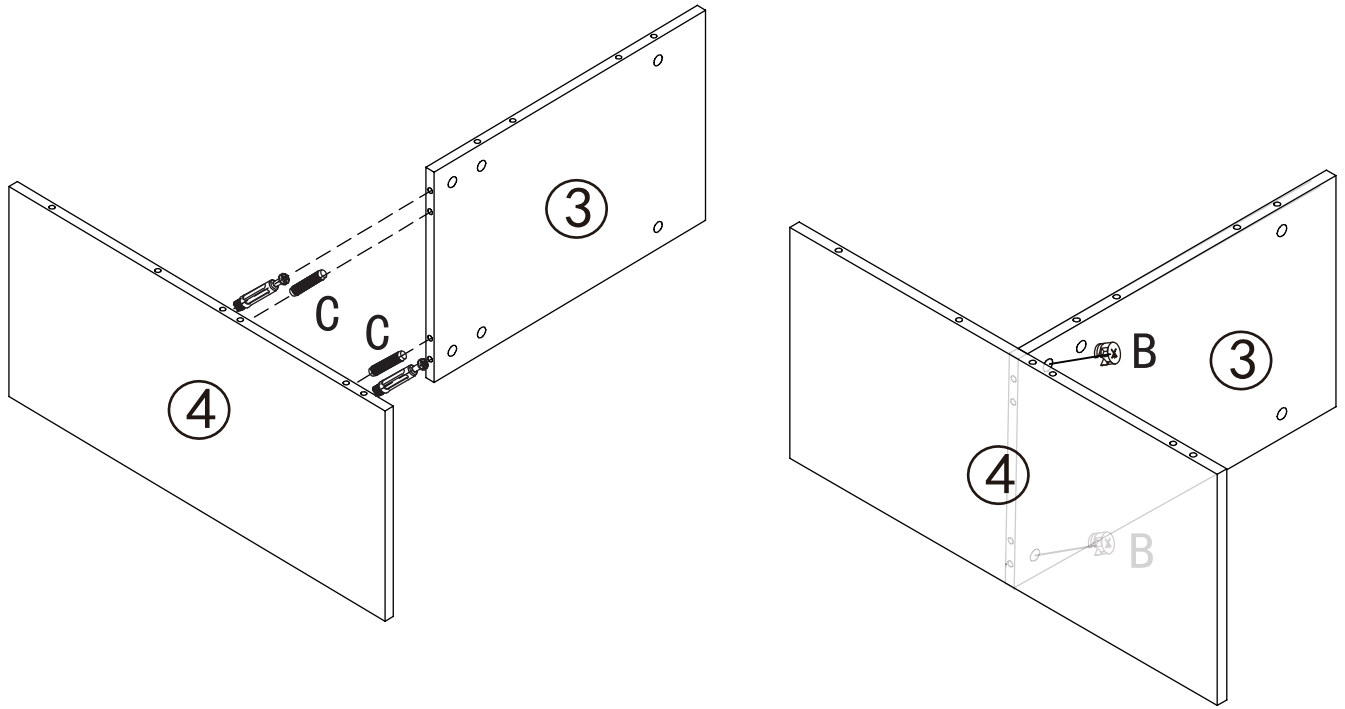


P needs to be pasted on board 4



A*16 	J*1 	P*1 	N*2 Ø3.5 x 14 mm
----------	---------	---------	-------------------------

3.



B*2

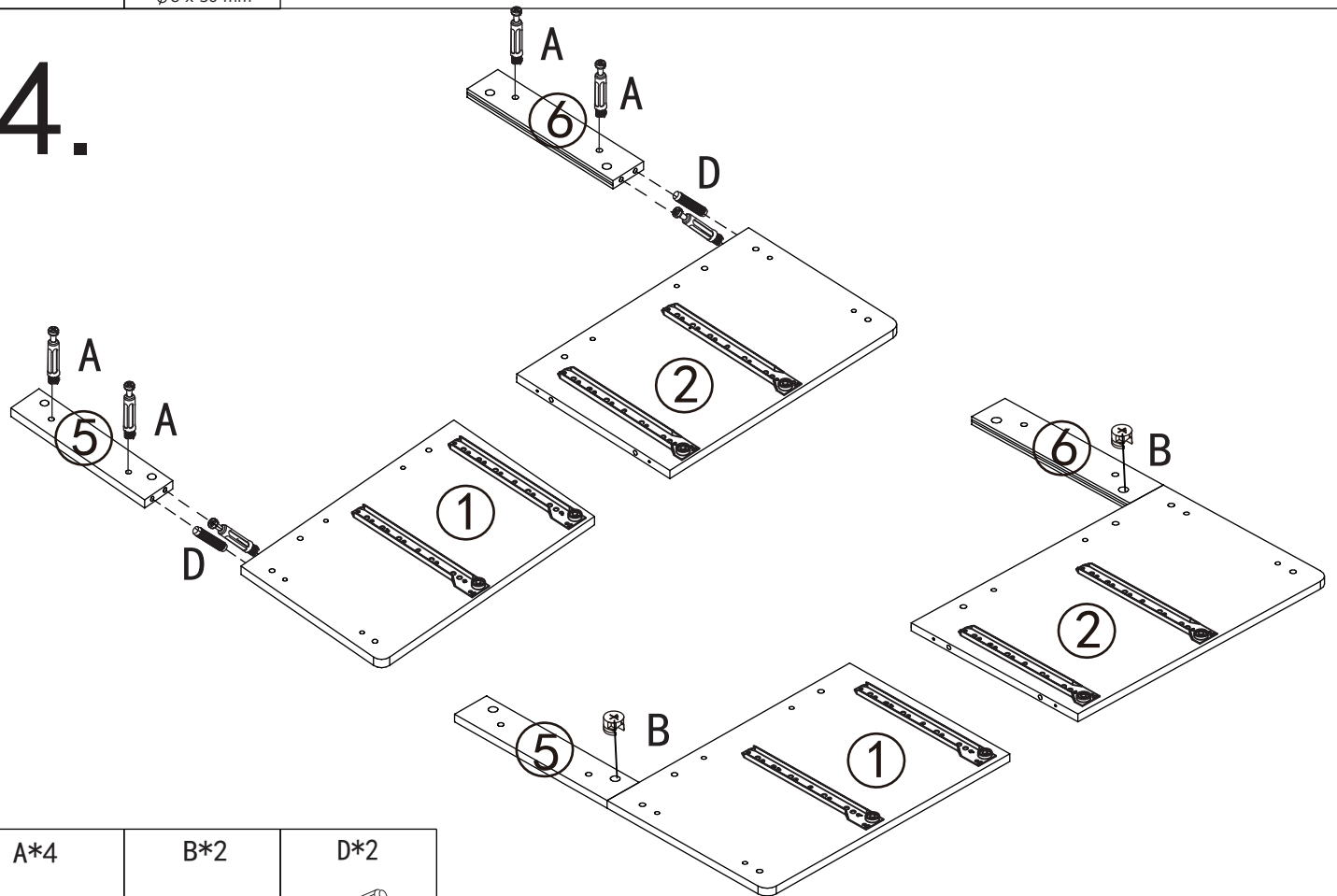


C*2



∅8 x 30 mm

4.



A*4



B*2

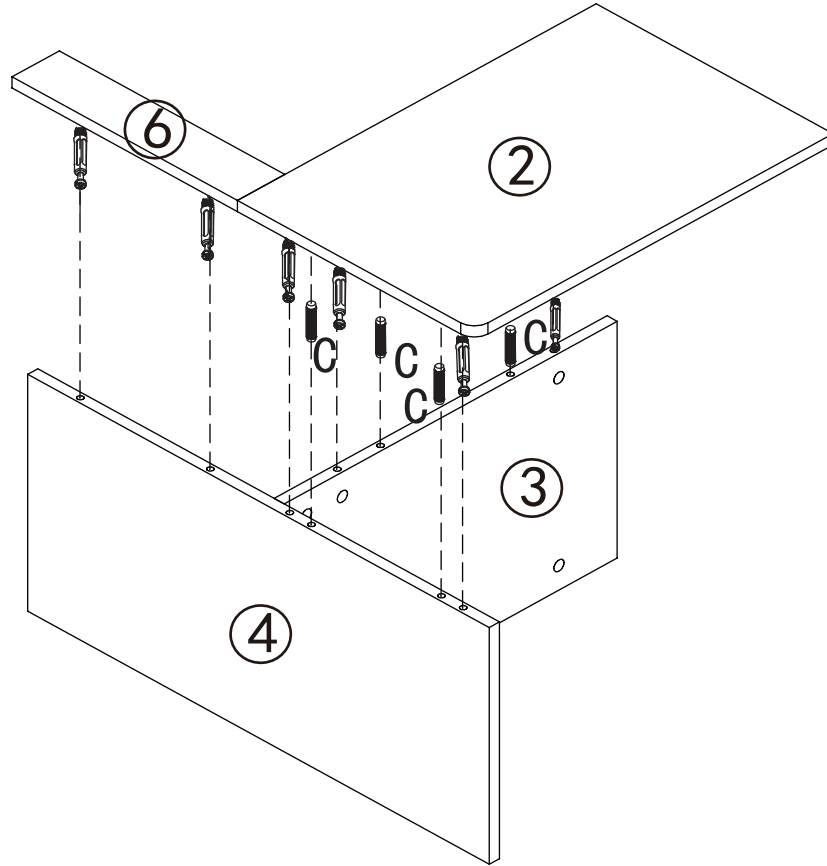


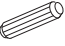
D*2



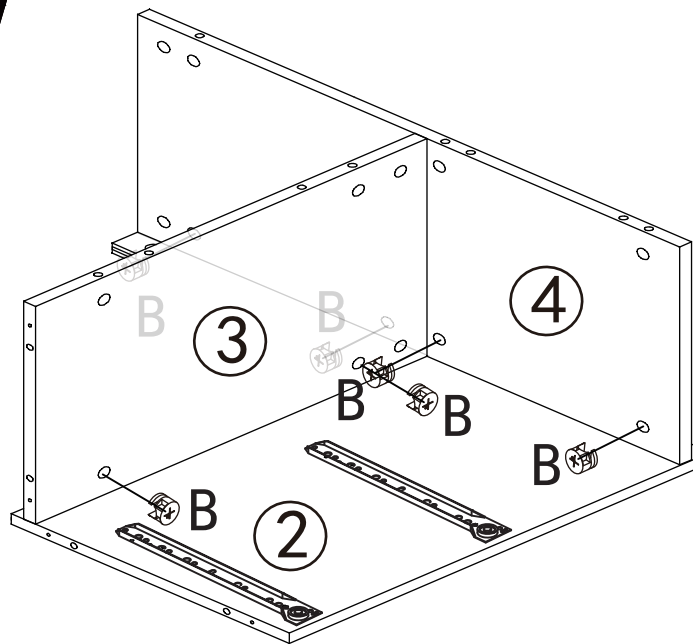
∅8 x 40 mm


5.



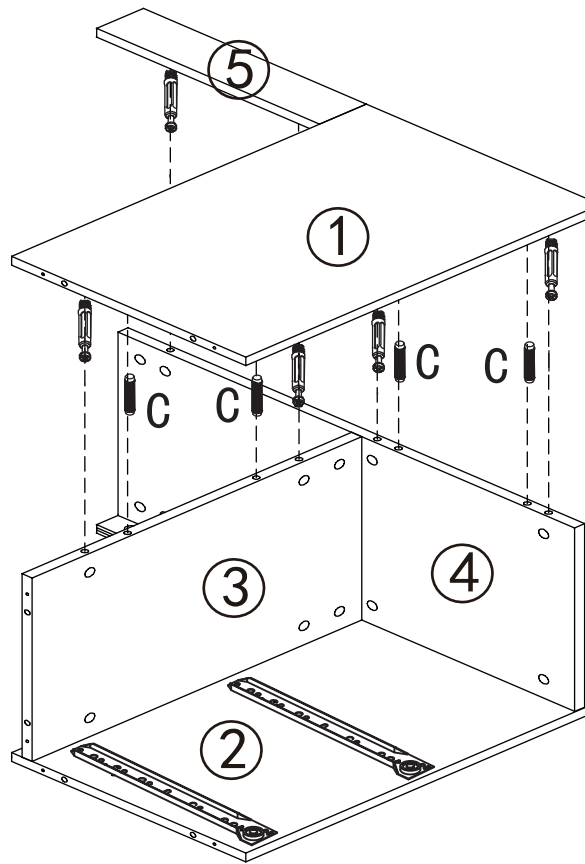
C*4

Ø8 x 30 mm

6.



B*6


7.

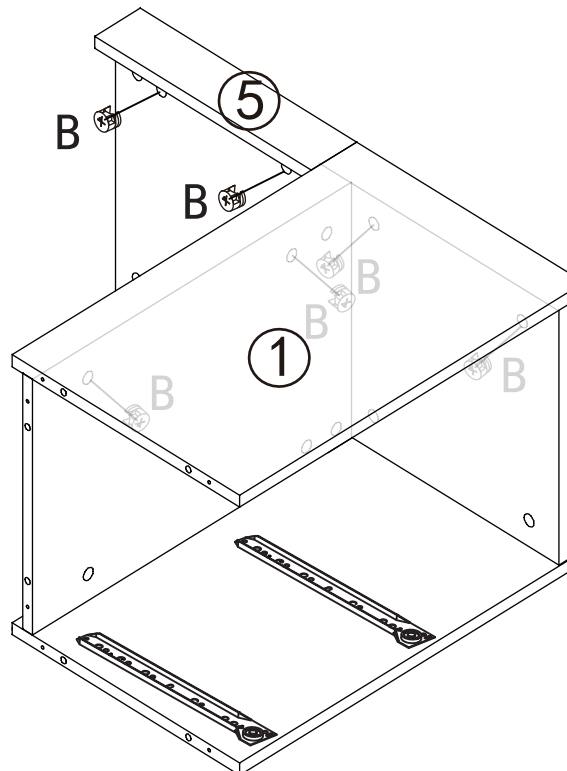


C*4



∅8 x 30 mm

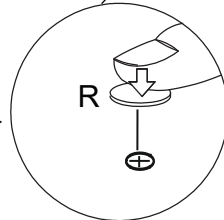
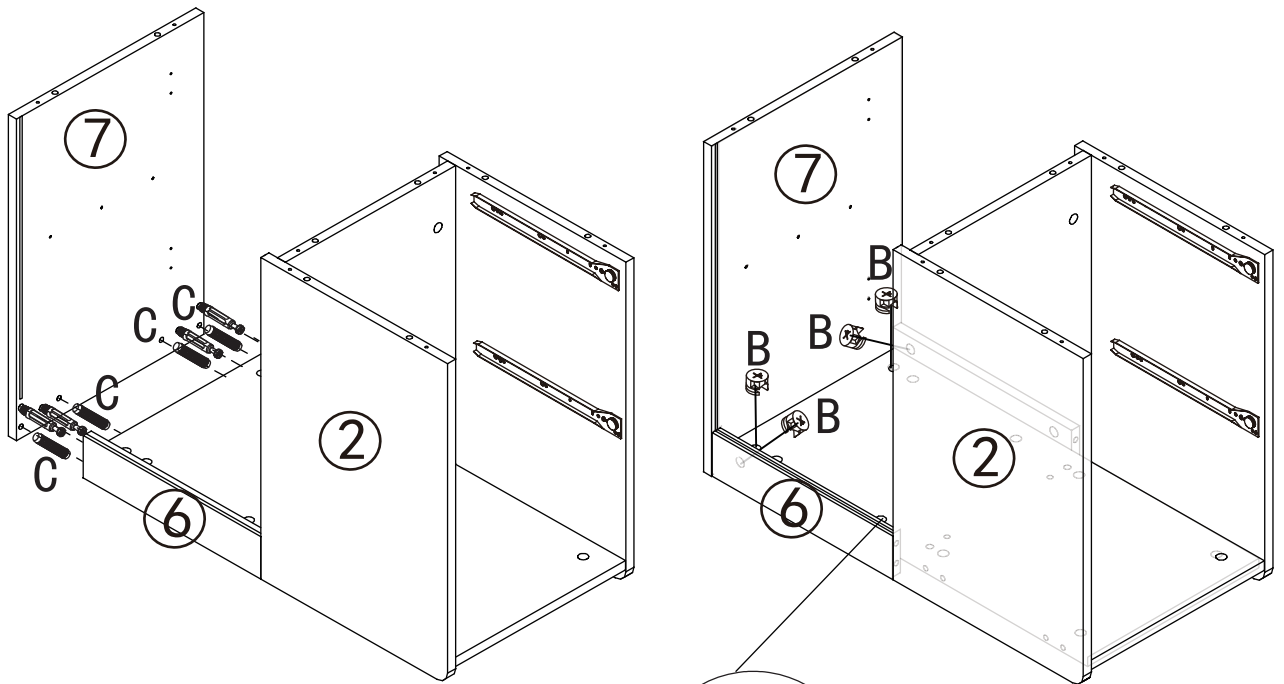
8.



B*6



9.



Eccentric wheel visible hole sticker perfectly fits R

B*4



C*4

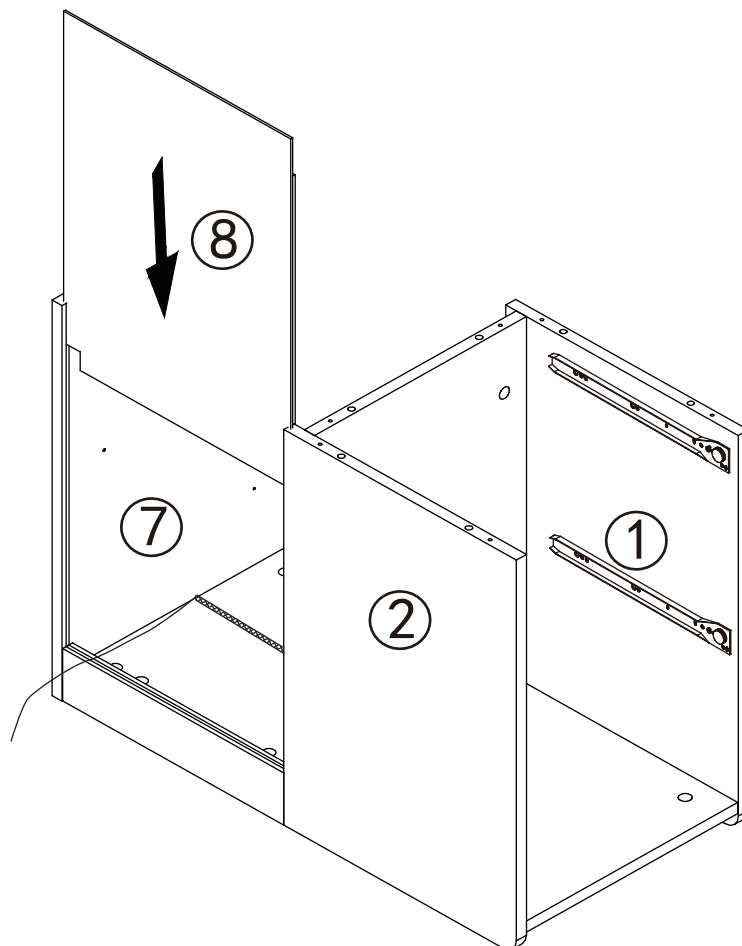


∅8 x 30 mm

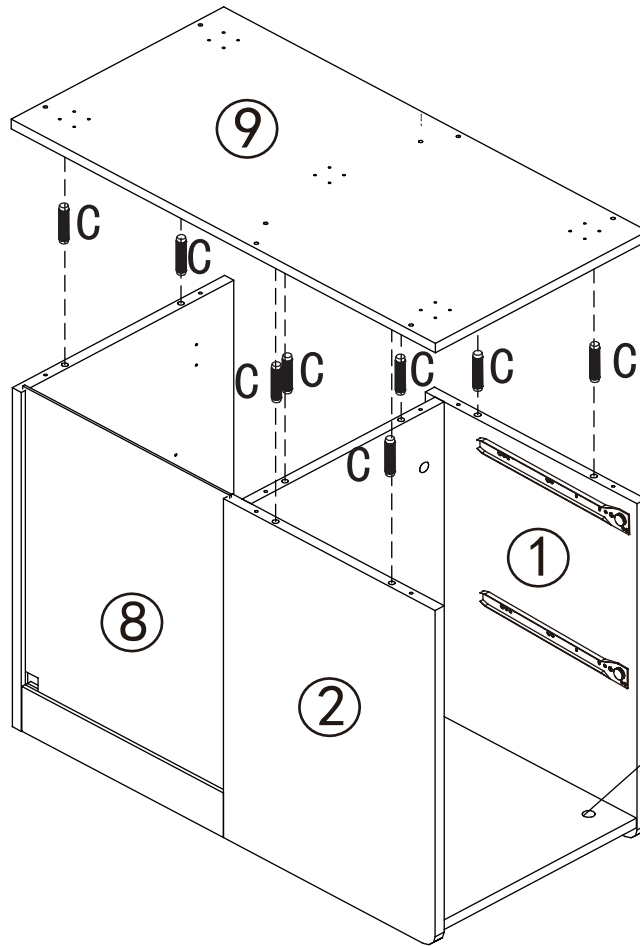
R*6



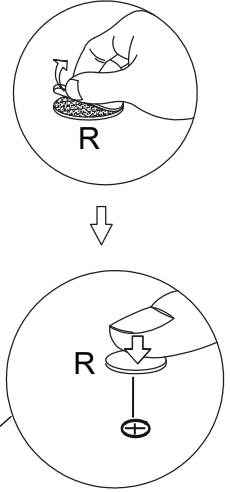
10.



11.



Eccentric wheel visible hole sticker perfectly fits R



C*8

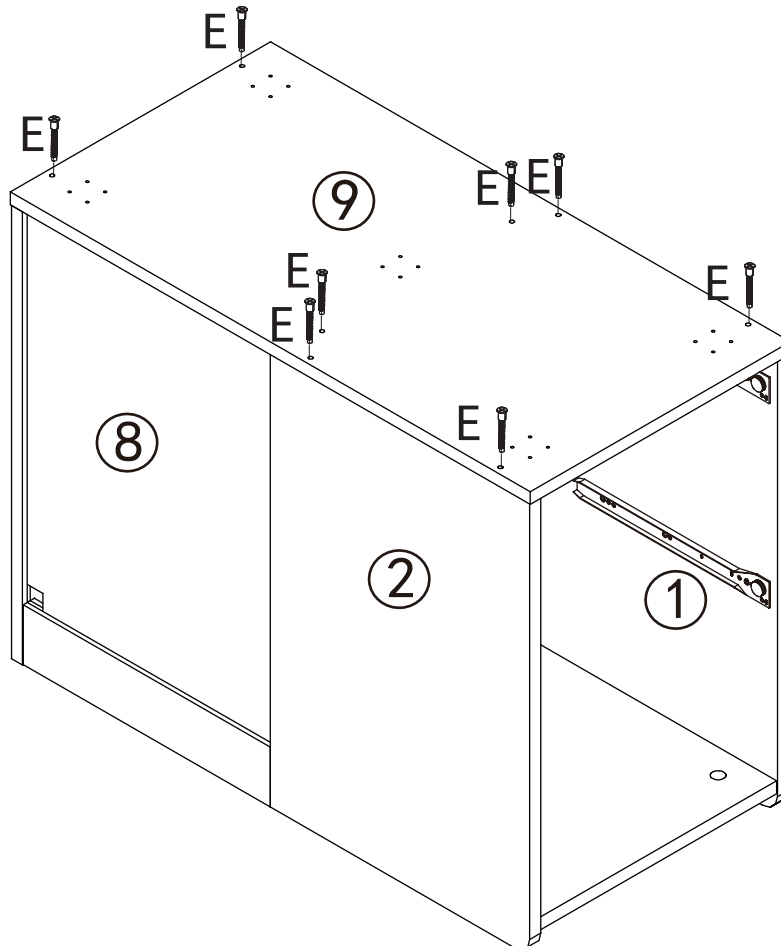


∅8 x 30 mm

R*8



12.

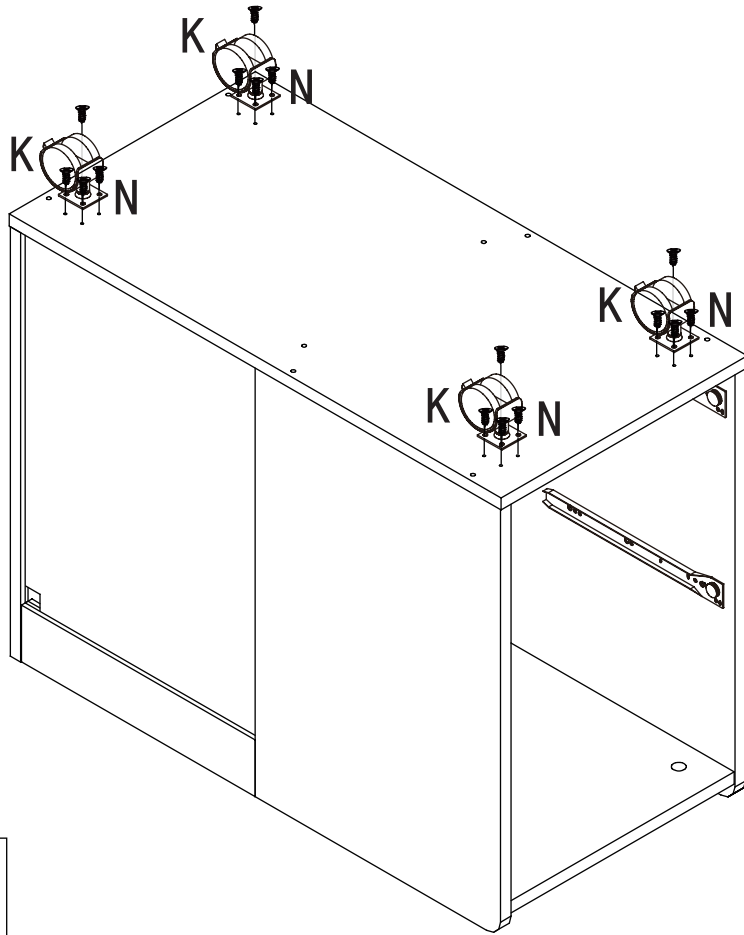


E*8

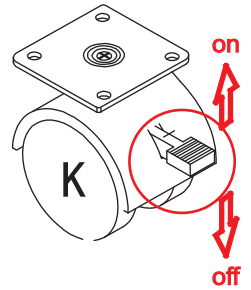


∅5 x 40 mm

13.

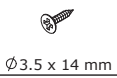


Brake switch



N*16

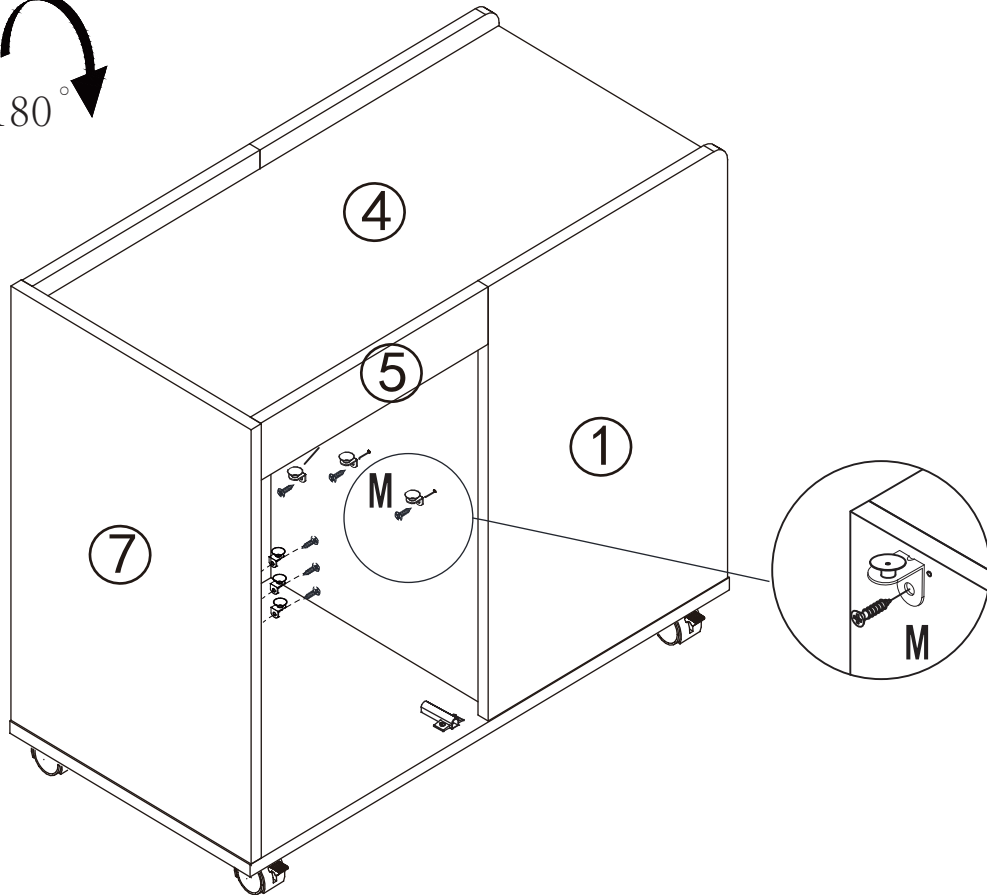
K*4



14.



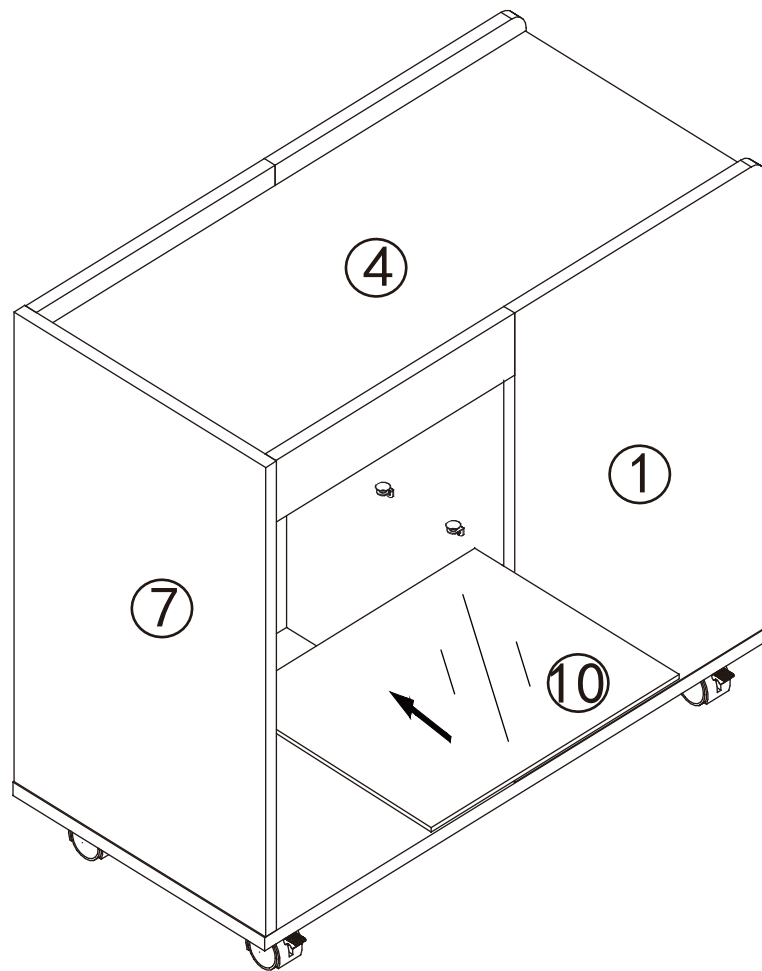
180°



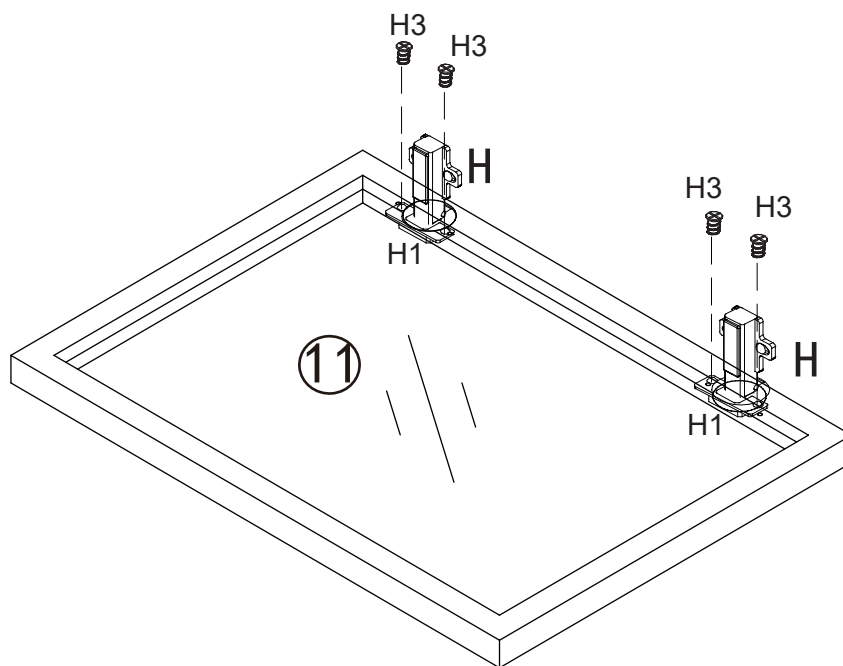
M*6



15.



16.



H*2



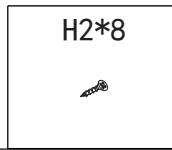
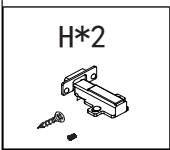
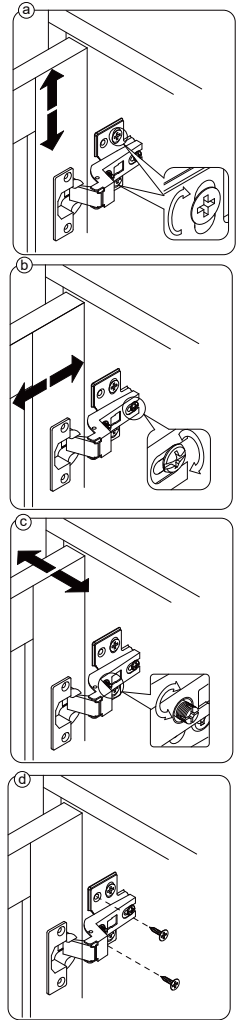
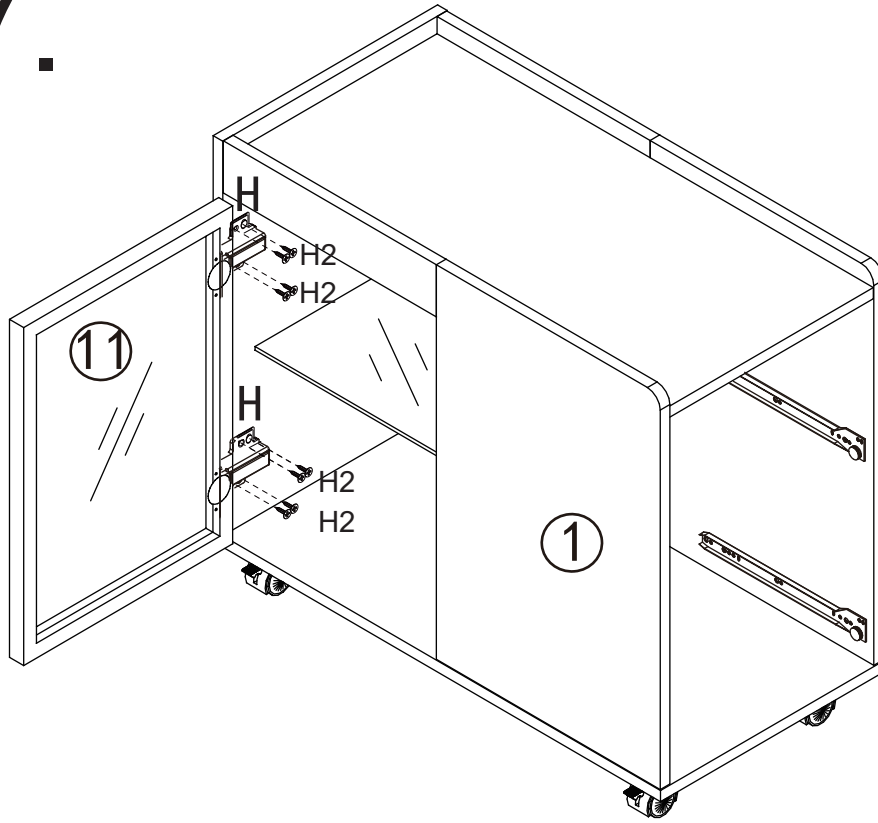
H1*2



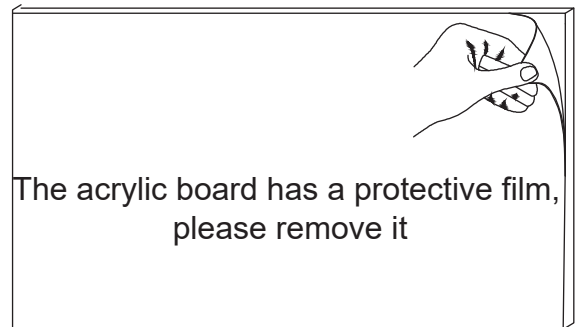
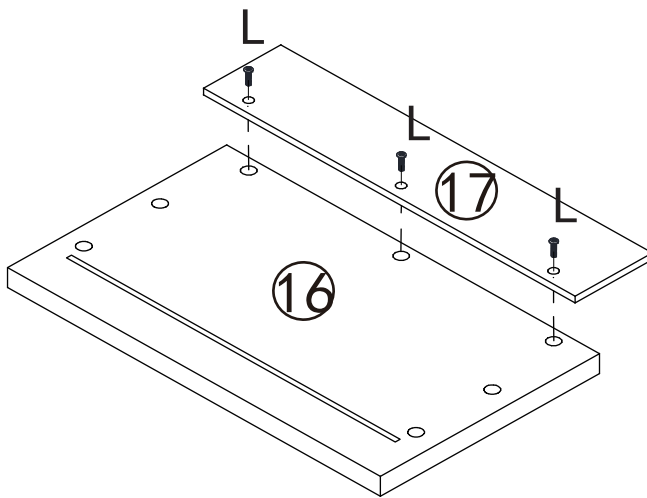
H3*4



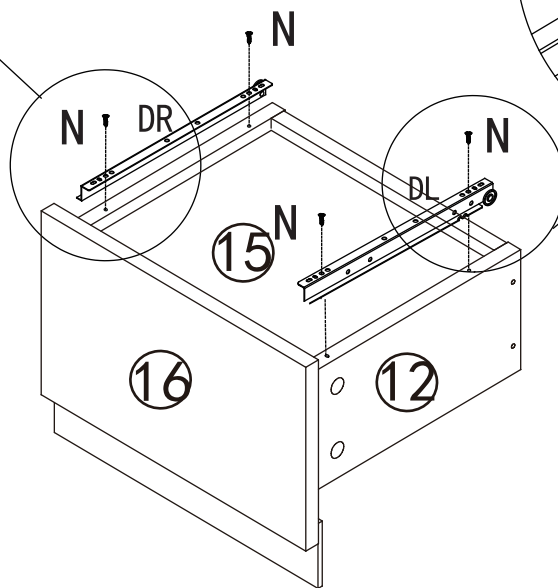
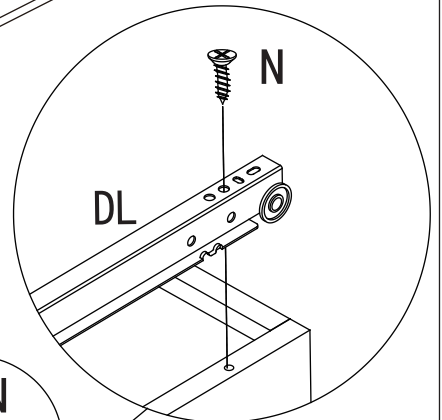
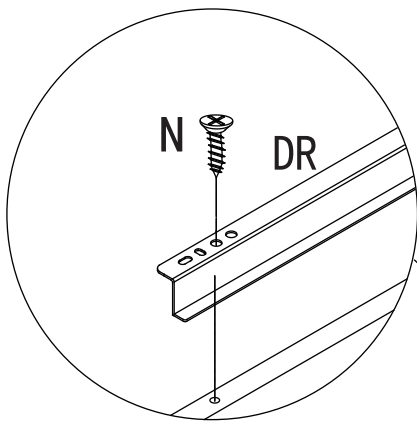
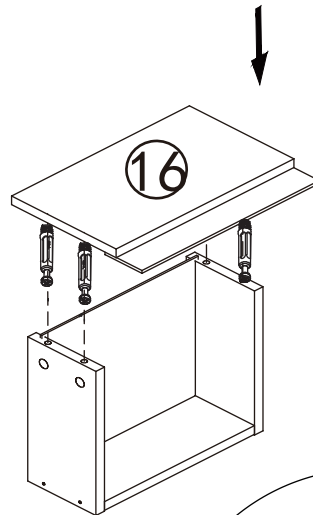
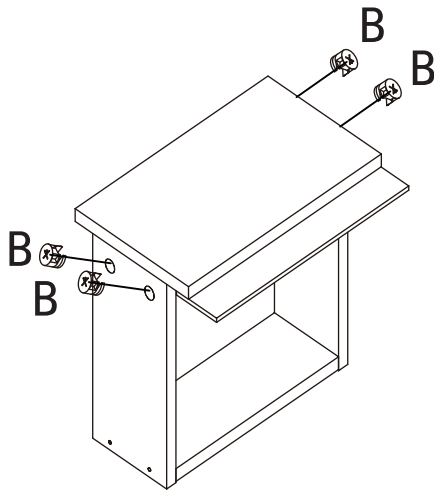
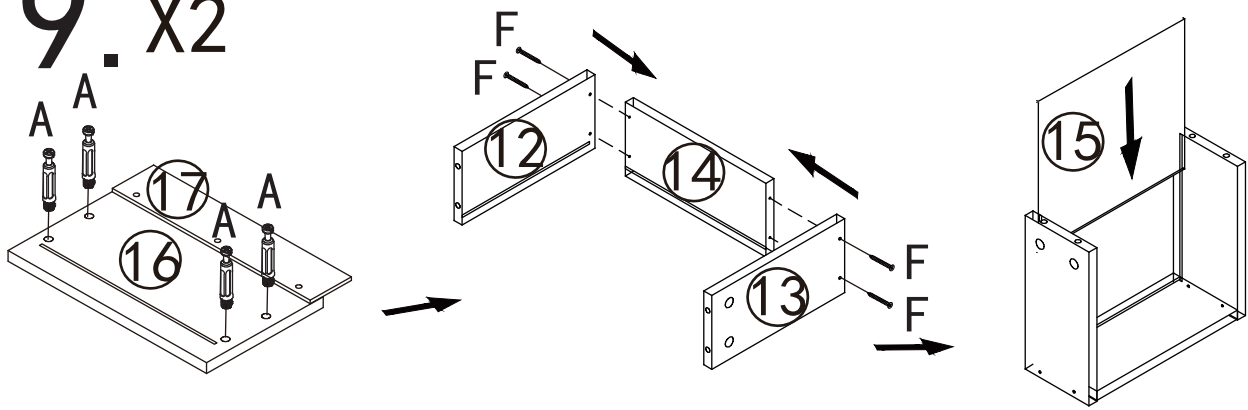
17.










18.x2

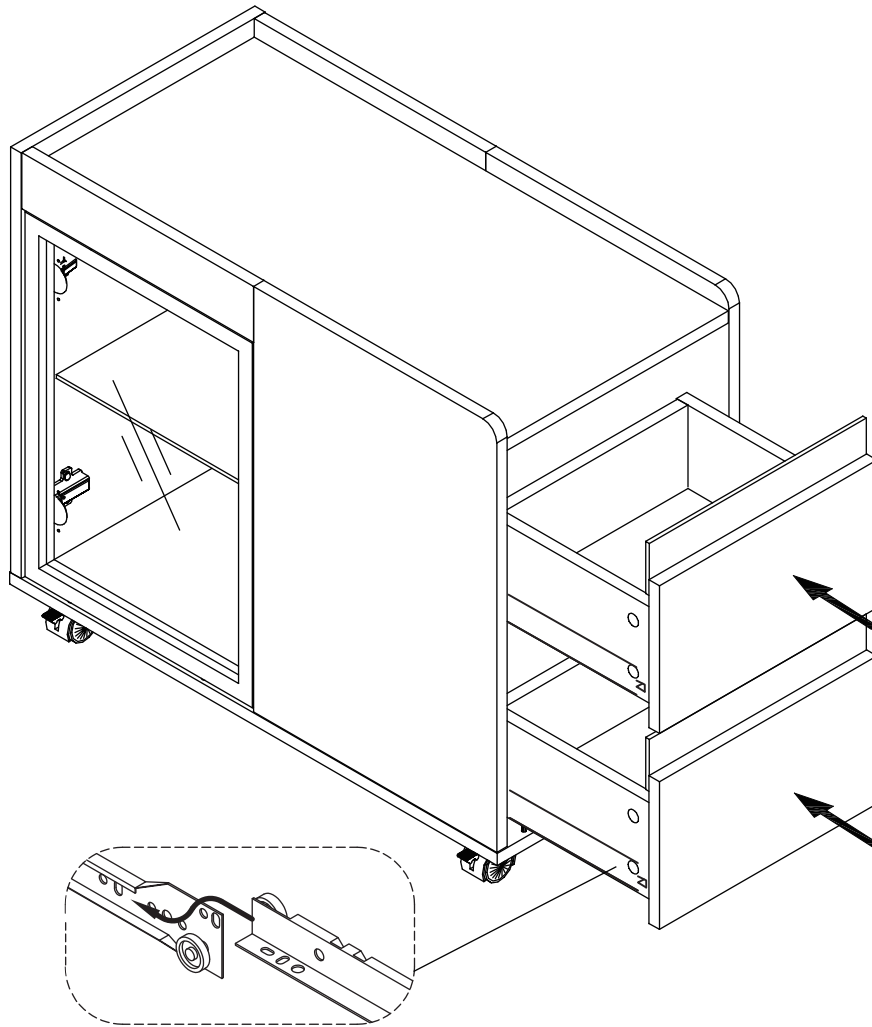


19. X2



N*8  Ø 3.5 x 14 mm	A*8 	B*8 	F*8  Ø 3.5 x 35 mm	G*2  250mm	G-DR*2  Ø 250mm	G-DL*2  Ø 250mm
--	---	---	--	--	---	---

20.



21.

